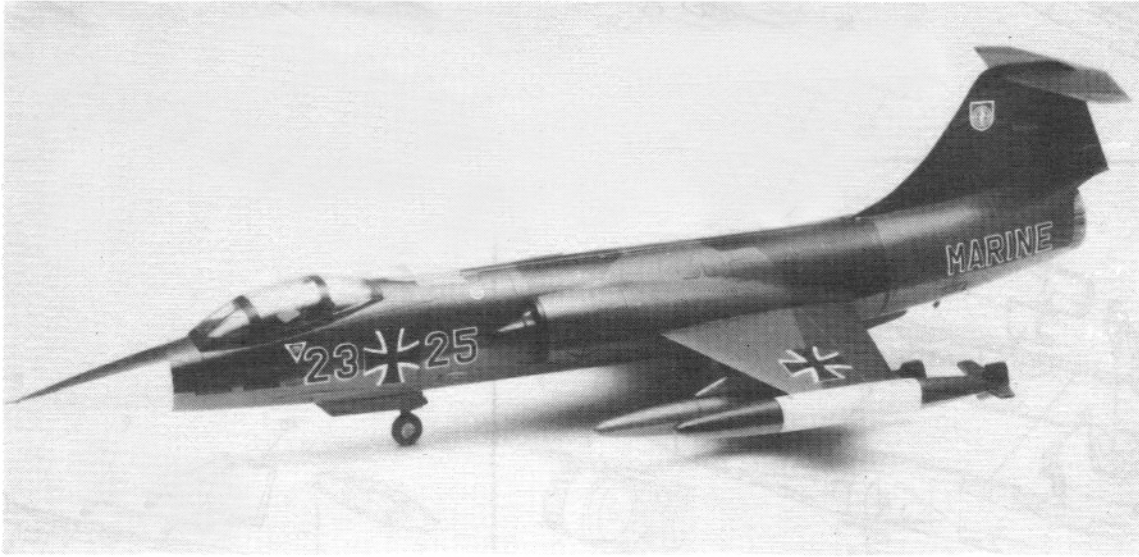


ACADEMY

HOBBY MODEL KITS

GERMAN F-104G STARFIGHTER 1/72 scale



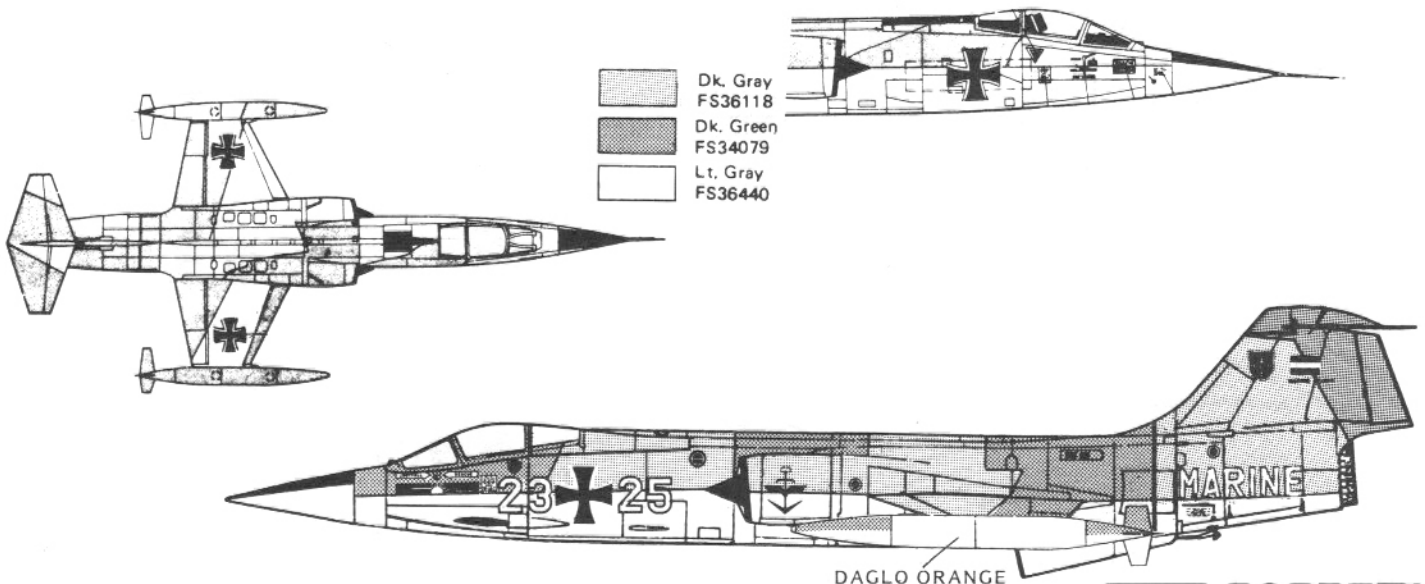
When it first appeared amid a shroud of great secrecy in 1954, the F-104 Starfighter was considered the most technologically-advance fighter to slide through the air. It had wings so thin and sharp they could cut unwary ground crew, and so small many questioned its ability to fly at all.

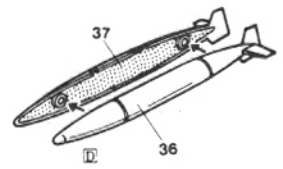
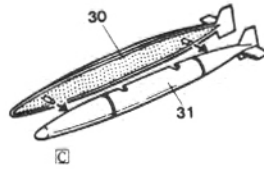
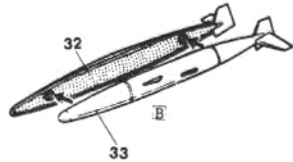
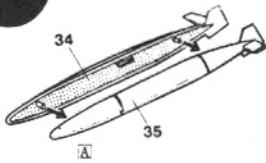
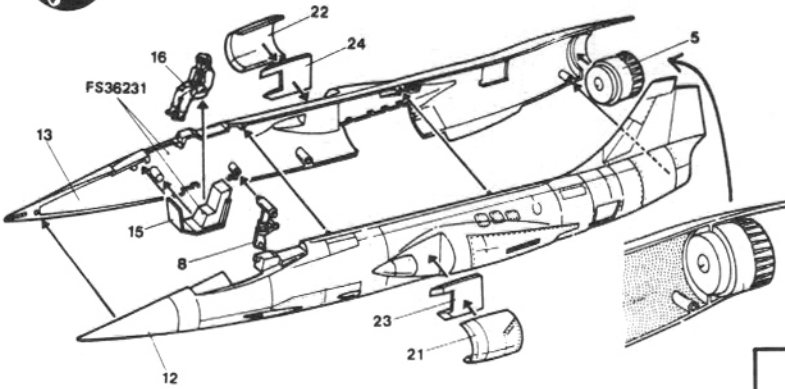
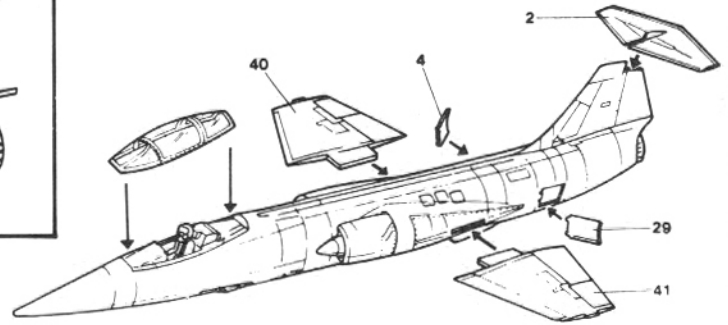
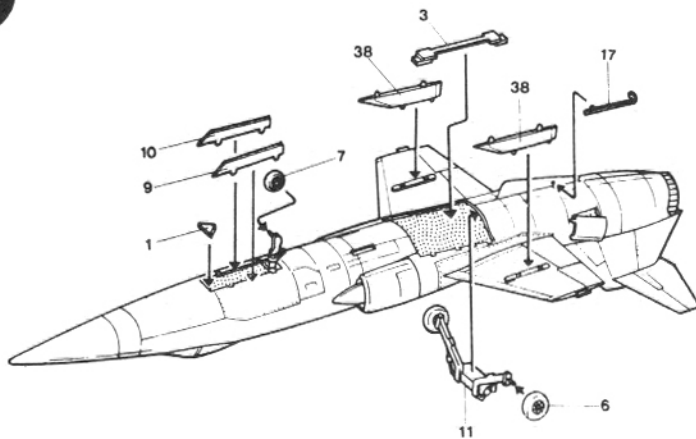
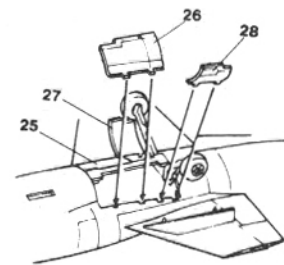
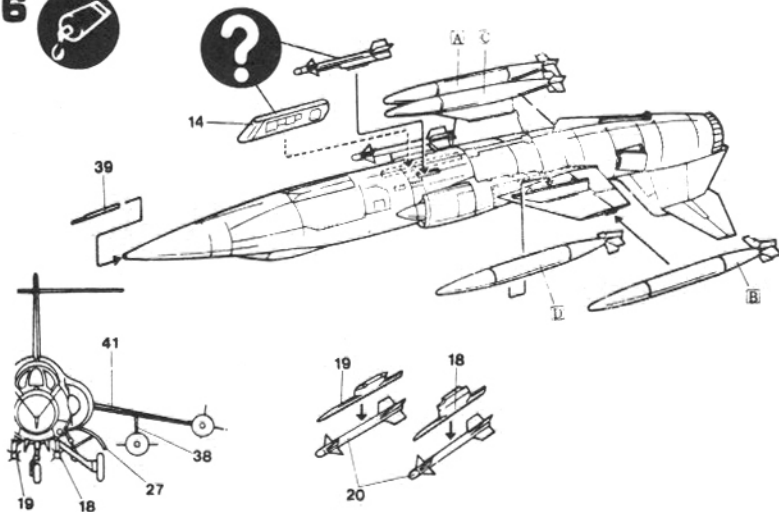
The Starfighter was designed specifically to combat the Russian MiG 15 and similar enemy fighters. The desire was for more power and altitude, but the characteristics that gave these were lacking in other areas, such as maneuverability. In fact, the first versions of the F-104 were not totally successful and were phased out of the USAF after a relatively short

service life.

On the other hand, a refined version of the sliver-like fighter was produced in great numbers for foreign customers and the sleek plane finally found its niche in the world's air forces.

The main reason for the eventual success of the F-104 was due to a rethinking of the tactical role for which the plane was designed. Carrying a load of long-ranging missiles, and firing them from a distance, does not require a tight turn radius. The Starfighter has a great acceleration rate and a maximum speed of 1,450 mph, or more than twice the speed of sound.

ACADEMY
HOBBY MODEL KITSACADEMY
ACADEMY PLASTIC MODEL CO., LTD.
32-1, Kinyokan-dong, Yongsongbu-si, Gyeonggi-do, Korea

1**2****3****4****5****6**

Cement Parts
 Coller
 Kleben
 Pegar
 Incollare
 Colar
 Kleven



DO NOT cement
 Ne pas coller
 Nicht kleben
 No pegar
 Non incollare
 Não colar
 Niet kleven



Cut away
 Couper
 Scheiden
 Cortar
 Tagliare
 Cortar
 Snijden



Optional parts
 Choix
 Auswahlmöglichkeit
 Eleccion
 Scelta
 Opcao
 Keuze



Repeat operation
 Répéter l'opération
 Vorgang wiederholen
 Repetir la operacion
 Ripetere
 Repetir a operacão
 Herhalen

3

ACADEMY
 HOBBY MODEL KITS