

MAZ-537 Last Production

MAZ-537最后期生产型

READ BEFORE ASSEMBLY:

- Study and understand these instructions thoroughly before beginning assembly
- When needed, remove photo-etch parts carefully using a modeling knife or photo etch sprue cutter, being careful not to damage or lose small parts.
- Take extra care in handling photo etch parts in order to avoid injury
- Apply instant cement sparingly to photo etch parts where instructed
- Tools recommended(not included in kit):Plastic and instant cements, sprue cutters,long nose pliers,modeling knife, small files, tweezers, pin vise & scissors. Soft cloth and sandpaper will also assist in construction
- Glue and paint are not included in the kit. Use plastic cement and hobby paints only. Color guide for purchasing paint is included in the kit.

装配之前仔细阅读

- 小心用模型锉刀锉平所有零件表面的注射浇口。
- 小心用刀片切下蚀刻片零件，不要遗失小零件。
- 用强力快干胶水粘合蚀刻片零件和金属轴。过量快干胶水使用可能导致可动零件会粘住，小心涂胶。
- 取蚀刻片时应特别注意安全，防止利边划伤手指。
- 某些零件表面需贴上水贴纸，请选择在装配的同时进行。
- 推荐模型工具(自备)：胶水，水口剪刀，长咀钳，刀片，锉刀，镊子，钳，钻，剪刀，瞬间快干胶。
- 软布同砂纸同时也应该是必备工具。
- 请使用塑料胶水和油漆，模型内不含。



配重
Weight



使用强力胶
Cyanoacrylate glue



钻孔
Make hole



切除
Cut / Remove



贴纸
Decal



锉平
File / Sand



选择
Option



不涂胶水
No cement



弯曲
Bend

水贴纸的使用:

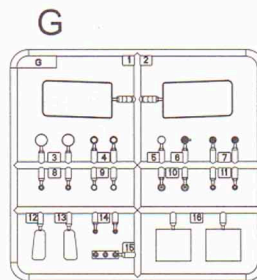
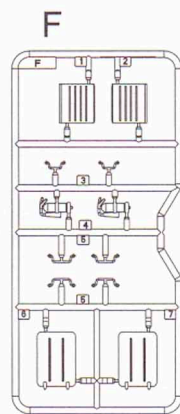
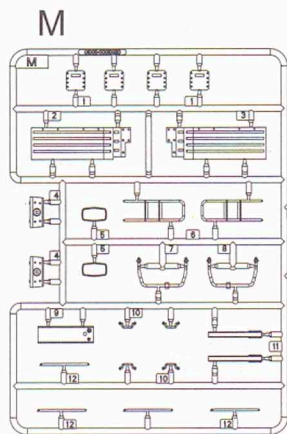
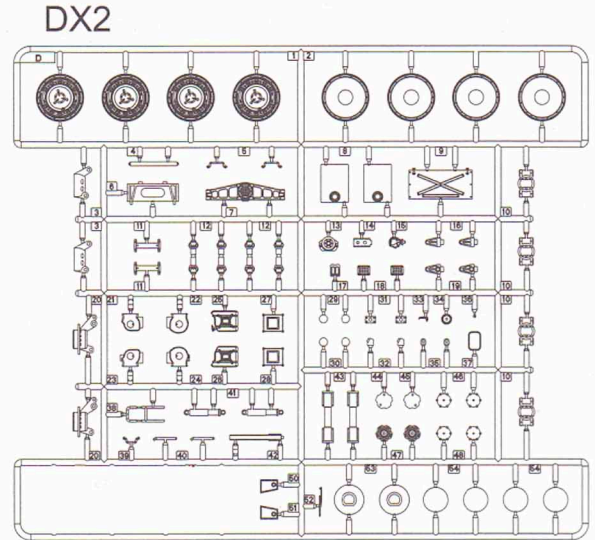
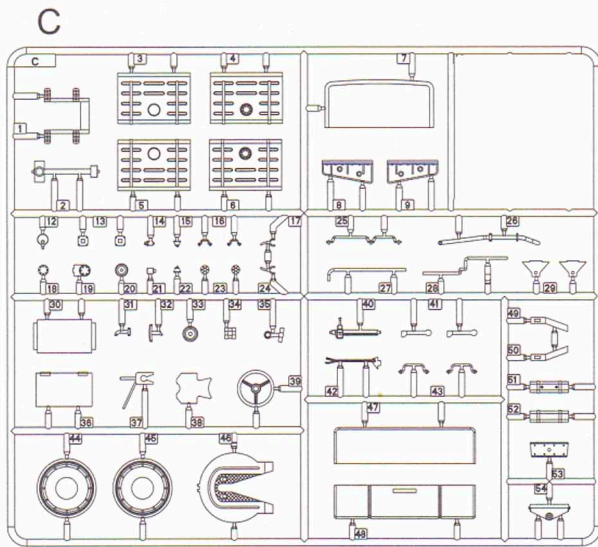
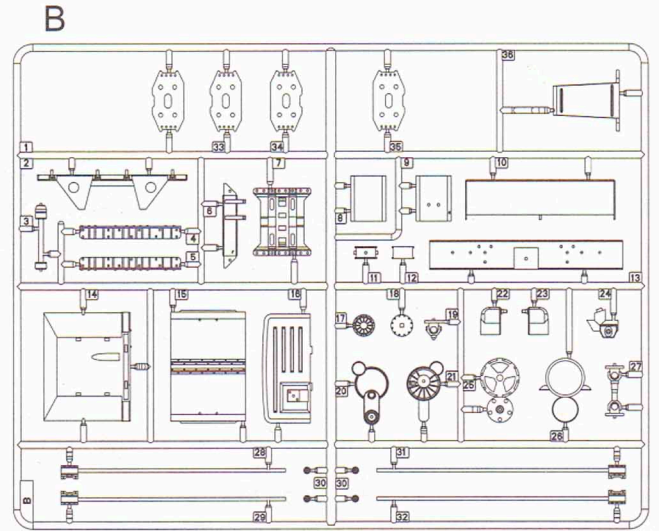
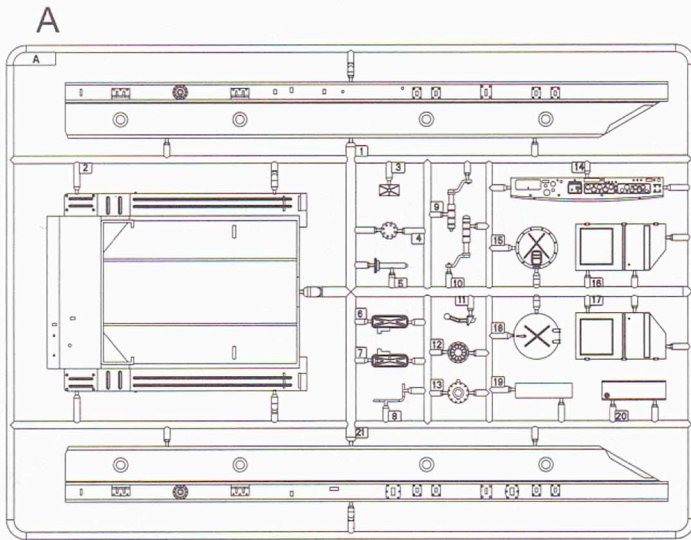
- 1.从水贴纸上剪下印花;
- 2.将印花放入温水中浸10秒, 然后放在干净布上。
- 3.拿着印花纸板将印花移到模型上;
- 4.手指蘸水将印花移到适当的位置;
- 5.用软布轻压印花直至水干, 气泡消失

DECAL APPLICATION

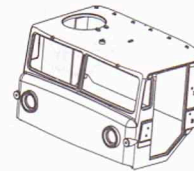
- 1.Cut decals from sheet as needed
- 2.Dip the decal in warm water for about 10 seconds and then place on soft clean cloth.
- 3.Hold the decal backing sheet edge and gently slide the decal onto the model in its proper position.

- 4.While still wet,decal can be adjusted for better fit on model by dampening it gently with your finger.
- 5.When placed in the proper position,gently press decal down with a soft cloth until excess water and air bubbles are gone.
- 6.Allow decal to dry completely before handling model

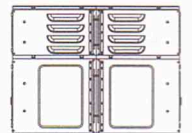
部品图 Parts



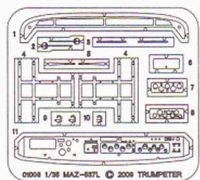
《驾驶室》
CAB



《发动机盖》
Engine bonnet



PE-A



《轮胎》
Tyre X 8



H1 X 2



H2 X 2



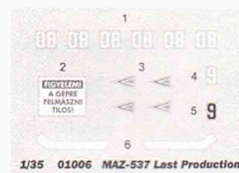
H3 X 2



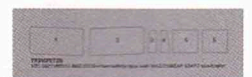
H4 X 2



《水贴纸》
Decal

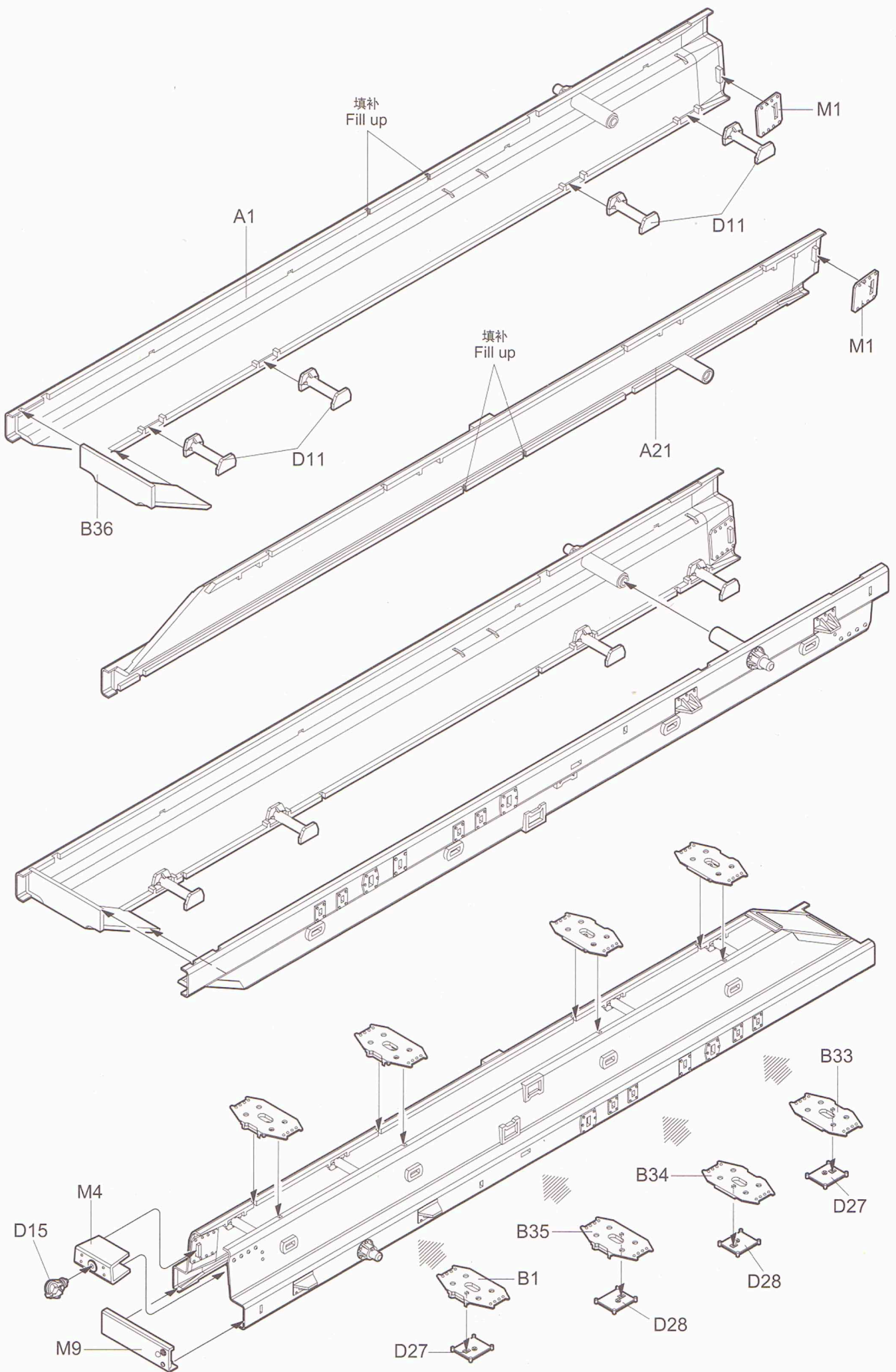


《遮盖胶纸》
Die-Cut Mask

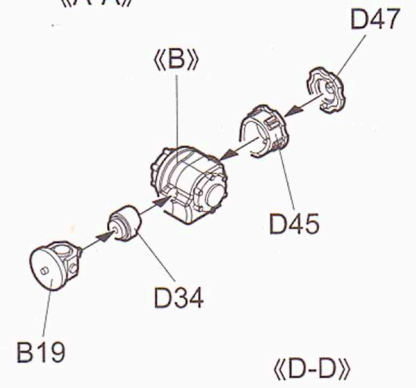
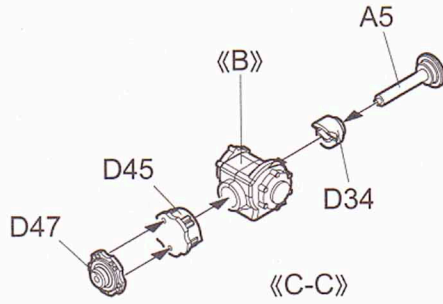
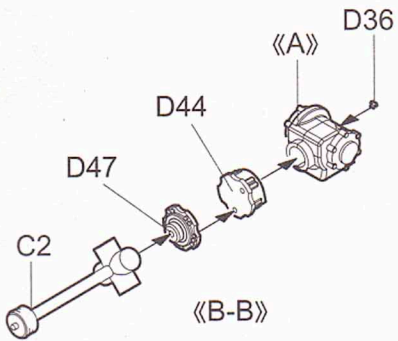
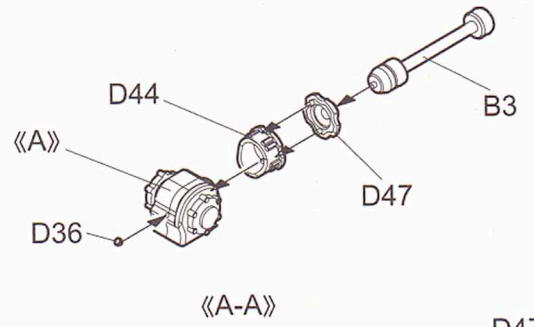
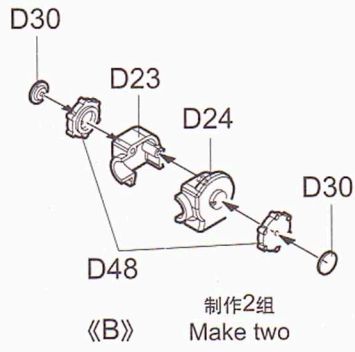
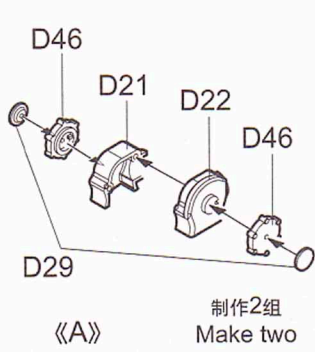


不用部品: A20.B6.B14.B15.B16.C7.C34.C43.C44.C45.D6.D9.D37.D39.D50.D51
Unused parts:

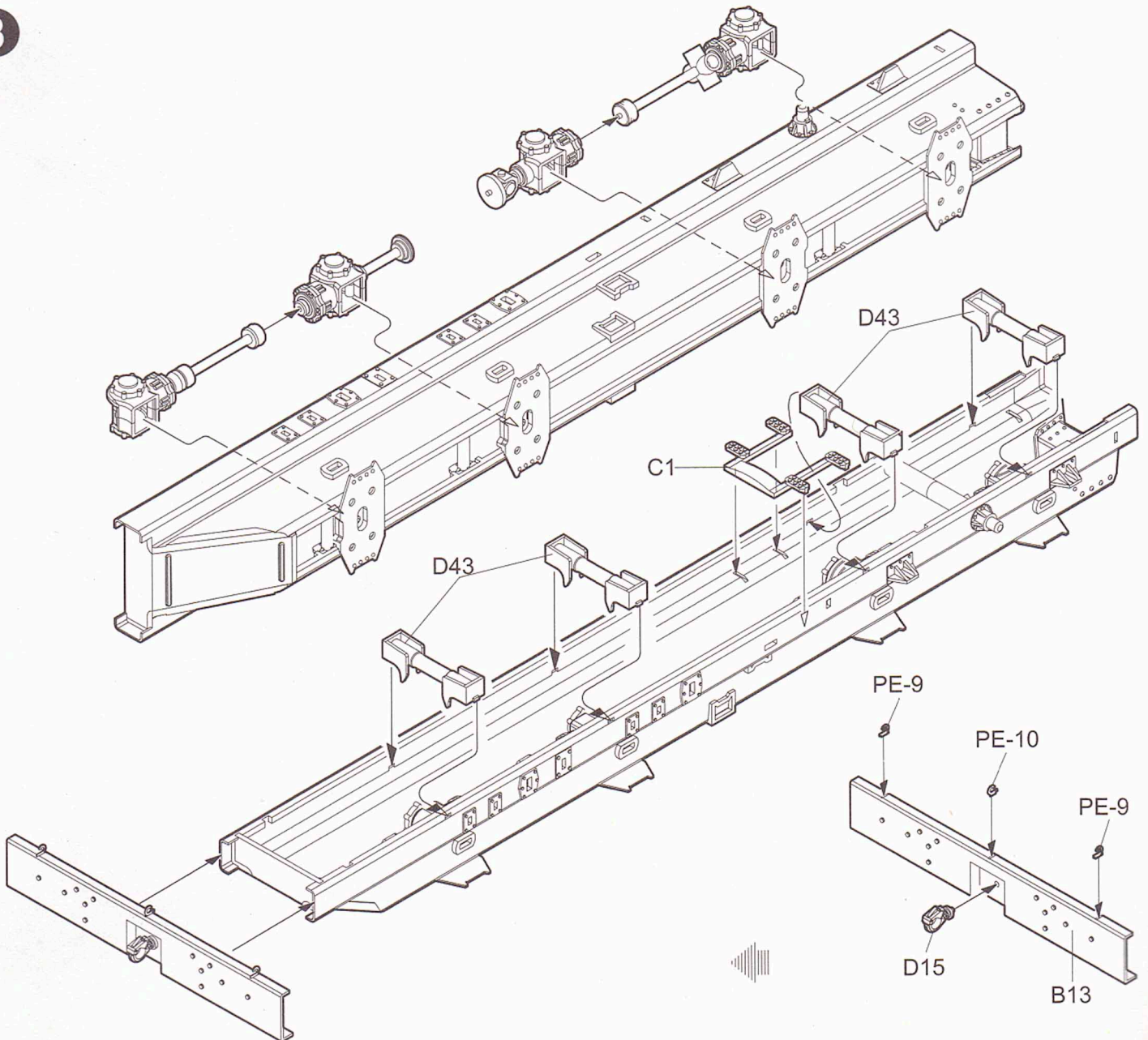
1



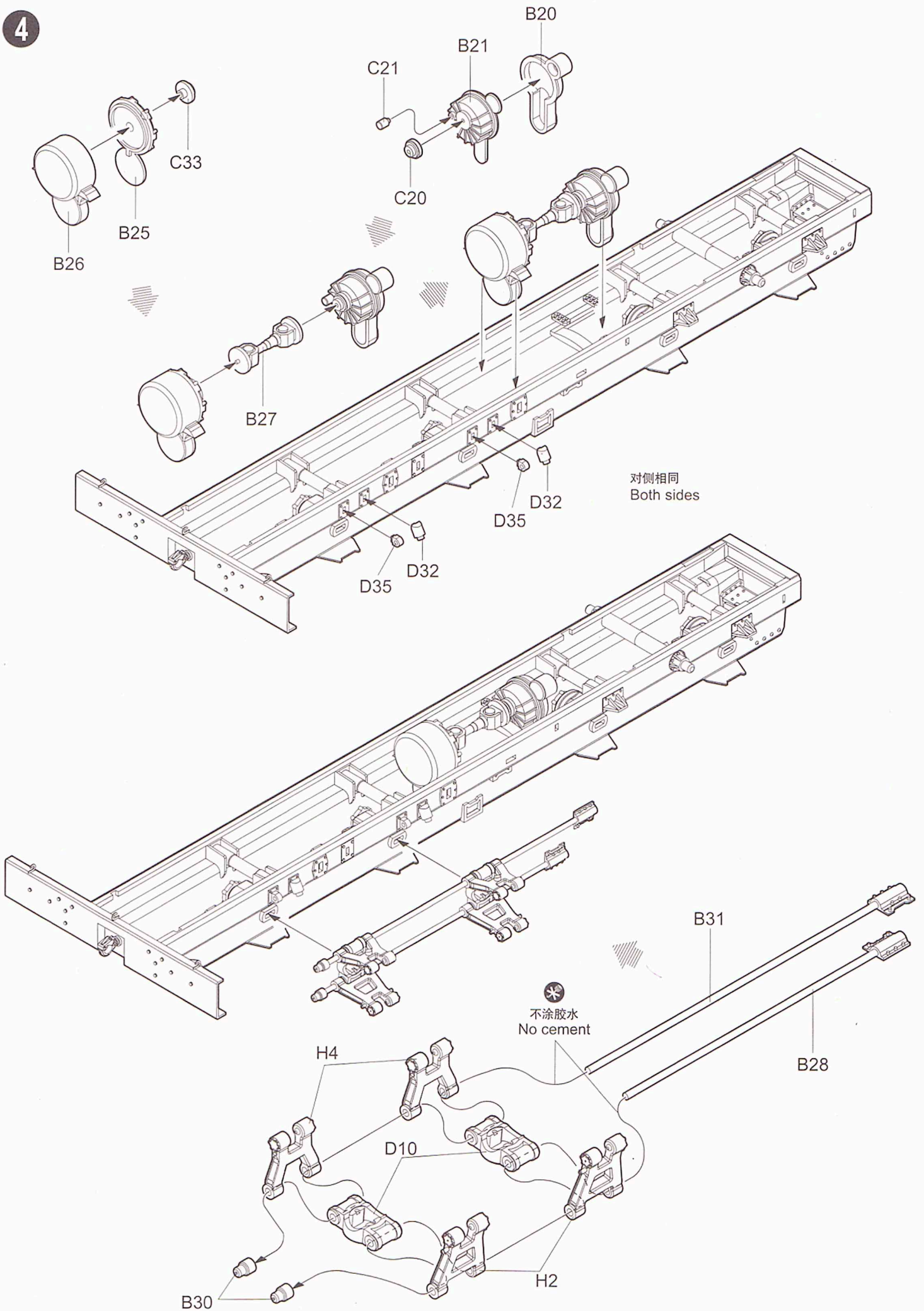
2



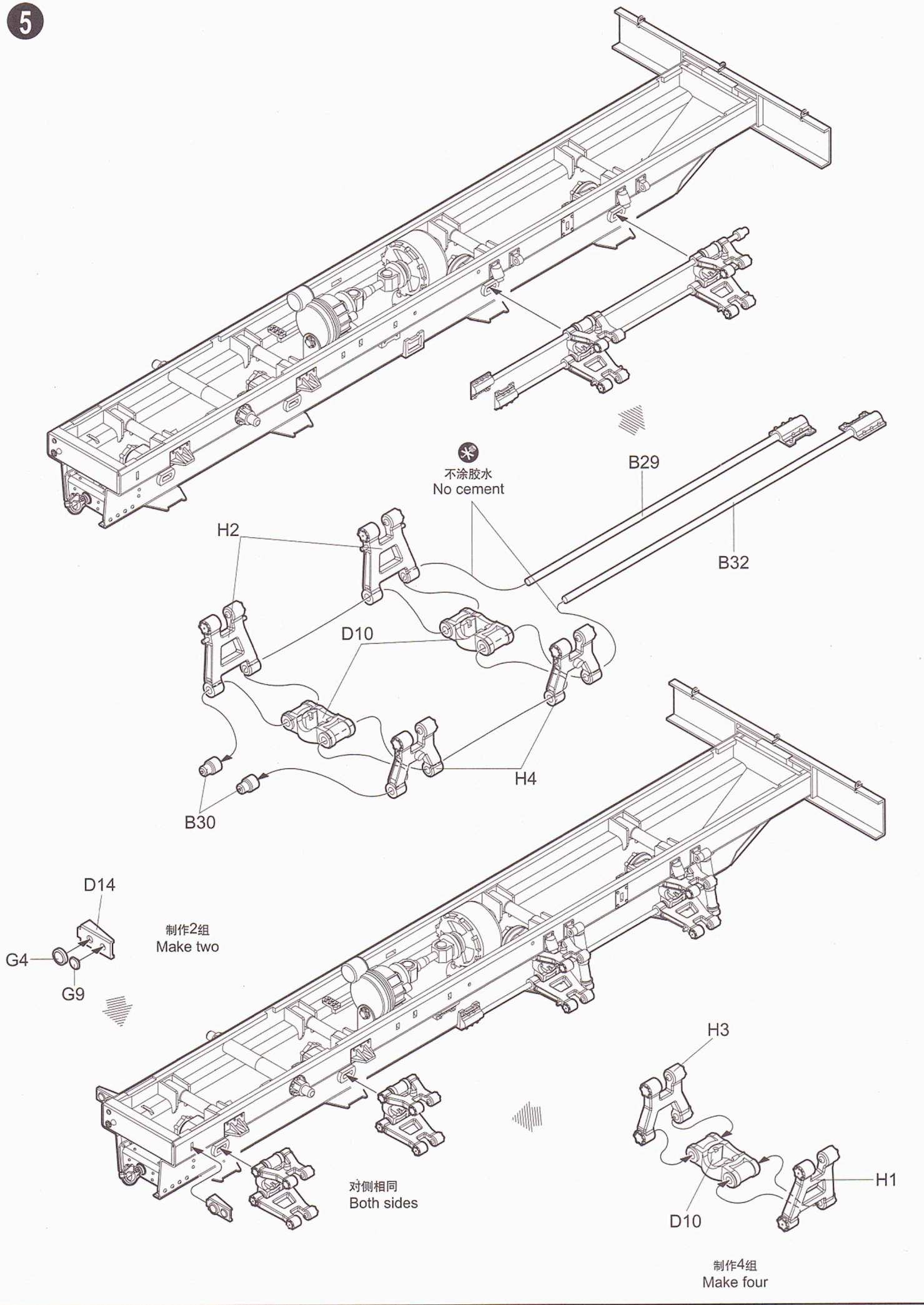
3



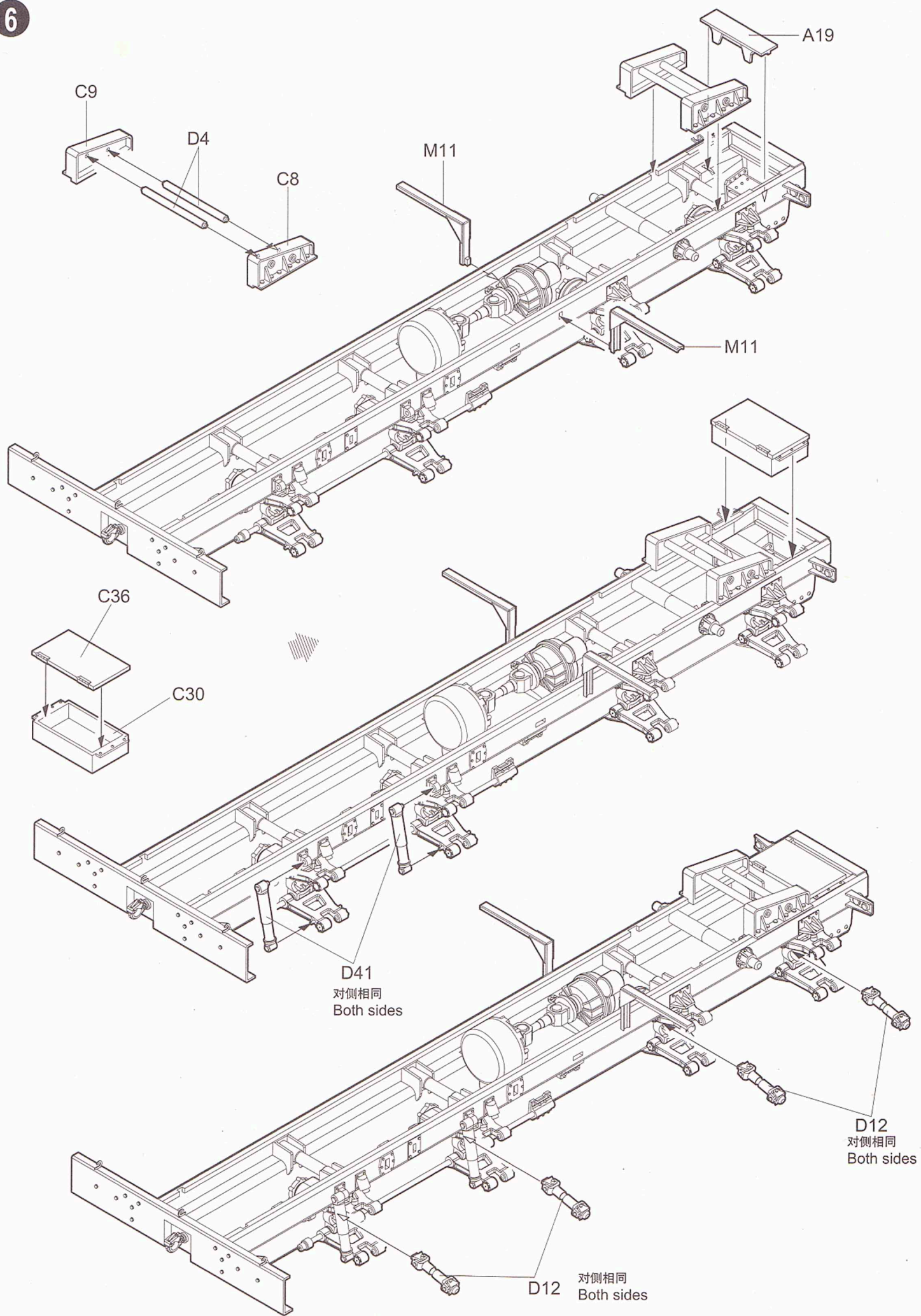
4

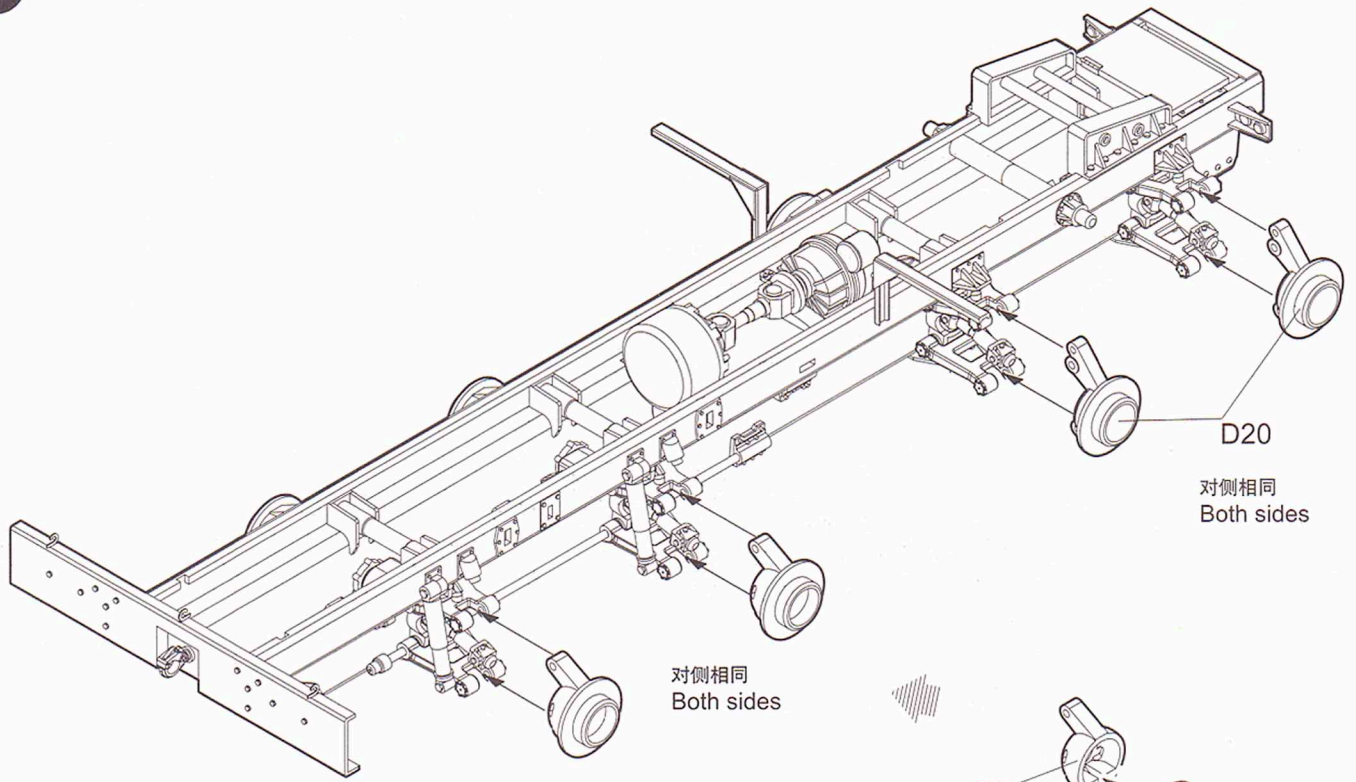


5



6

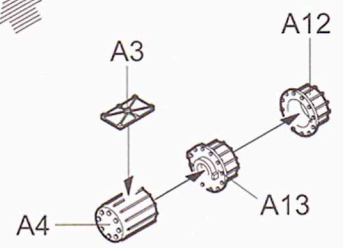
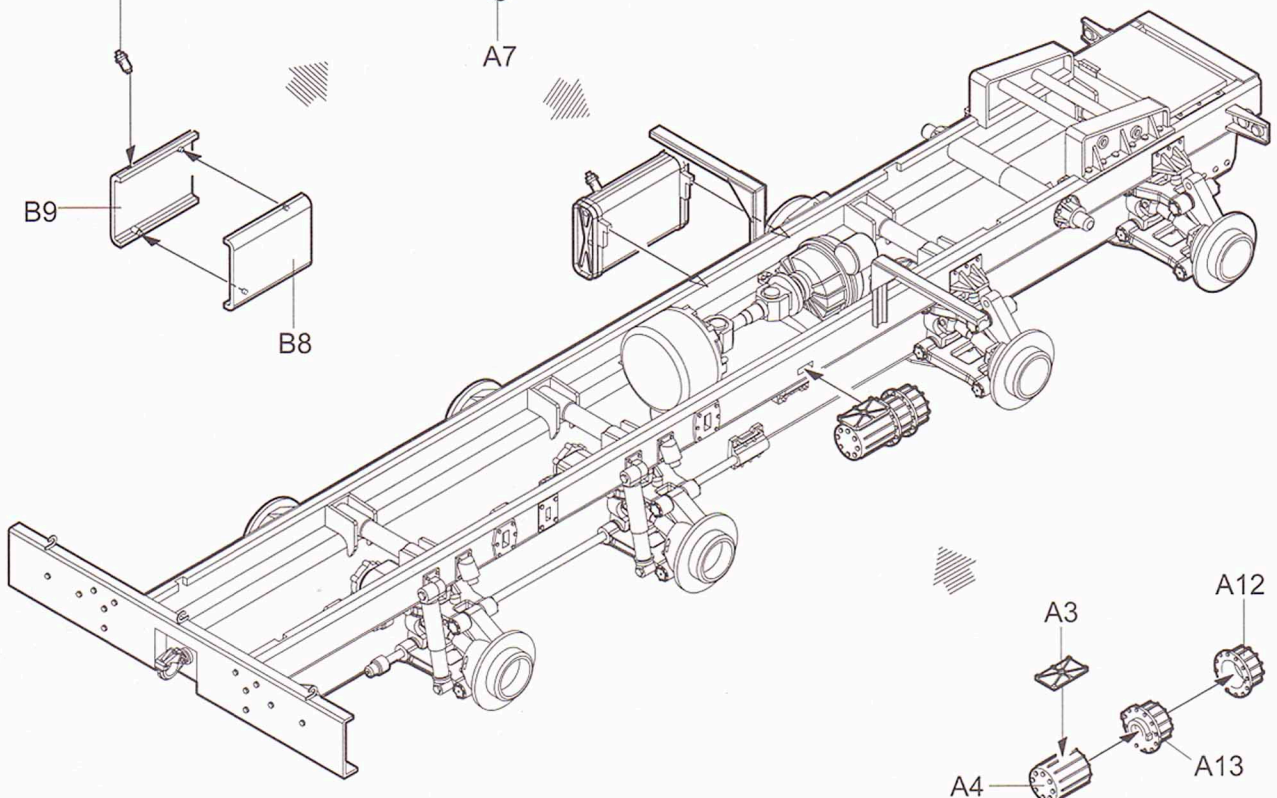
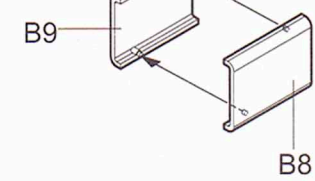
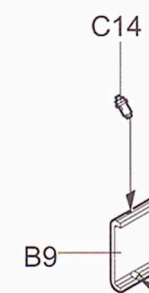
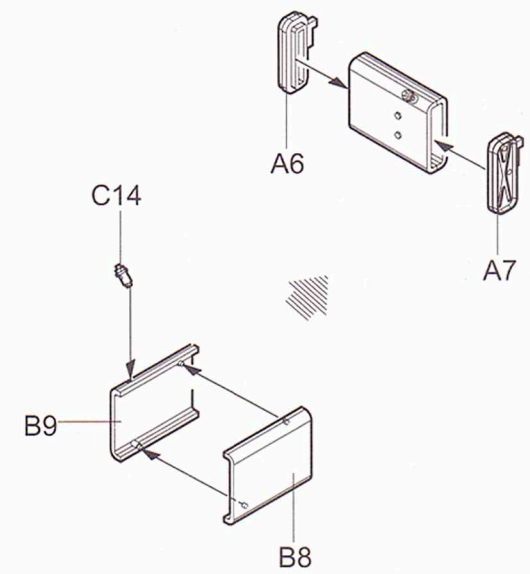


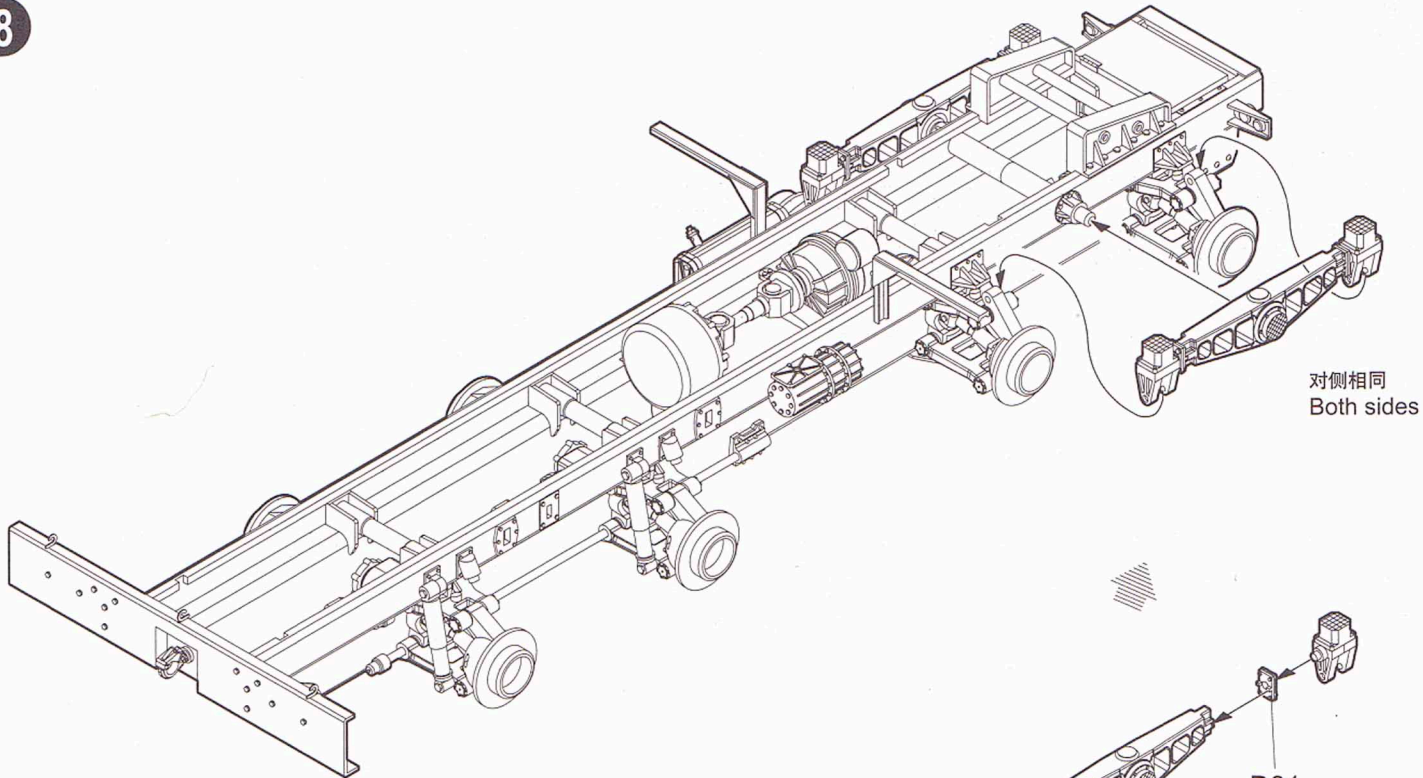


对侧相同
Both sides

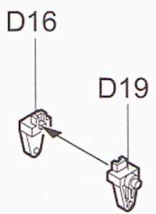
对侧相同
Both sides

制作4组
Make four





对侧相同
Both sides



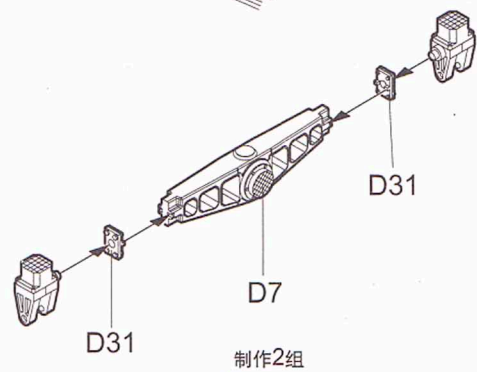
D16

D19

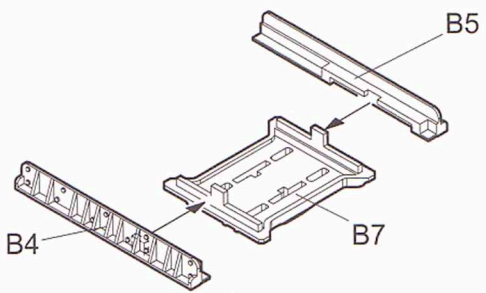


D18

制作4组
Make four



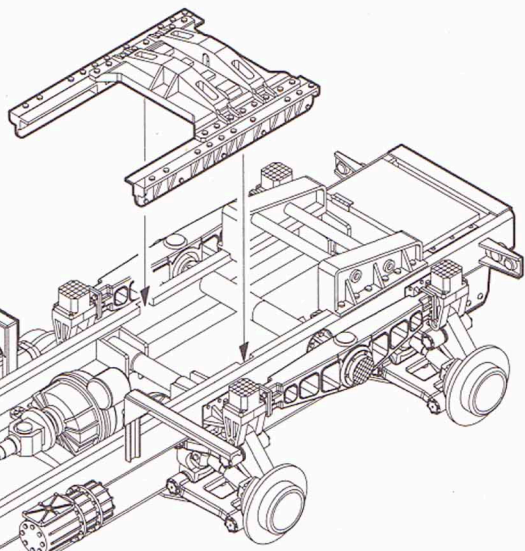
制作2组
Make two

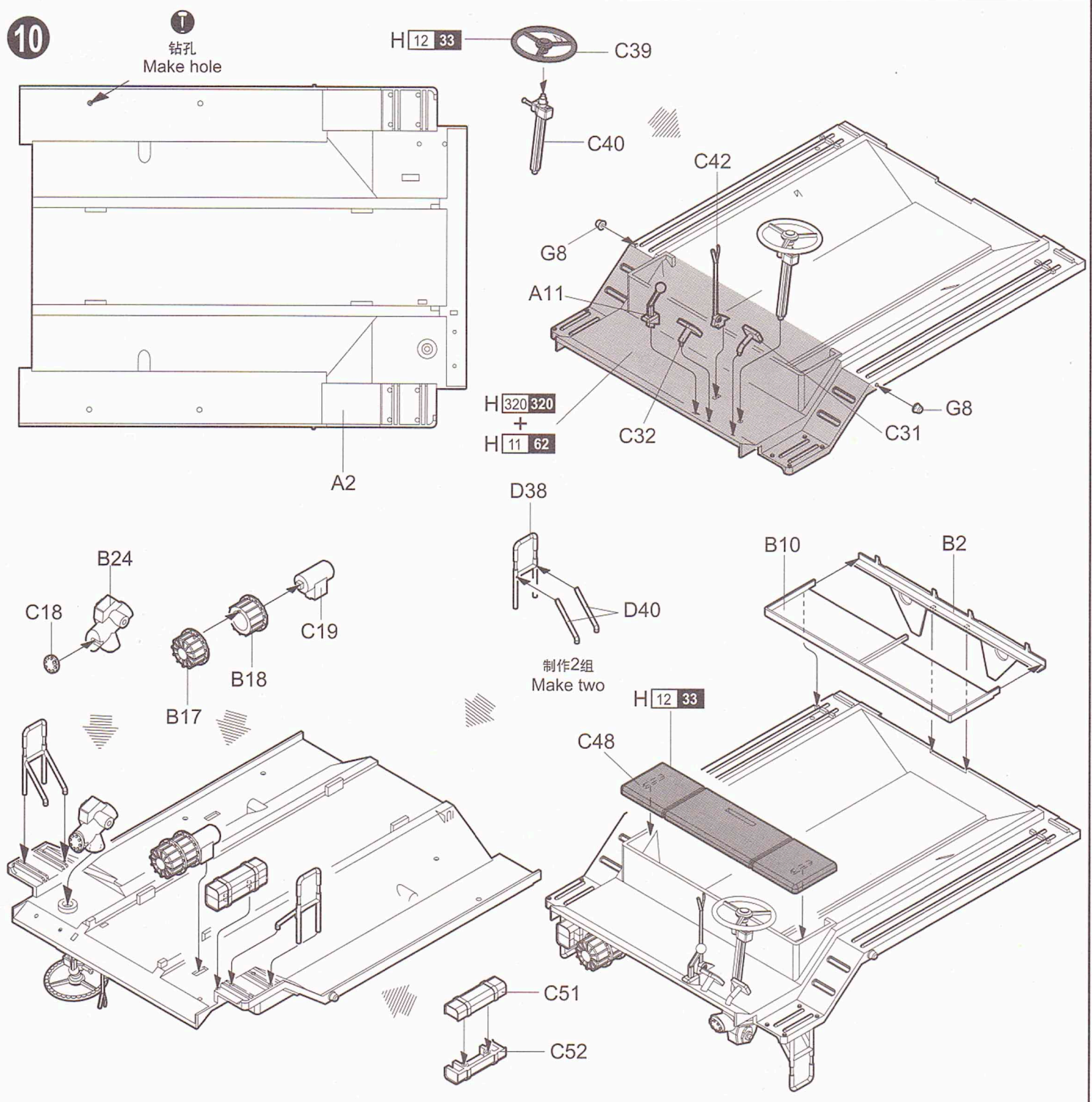
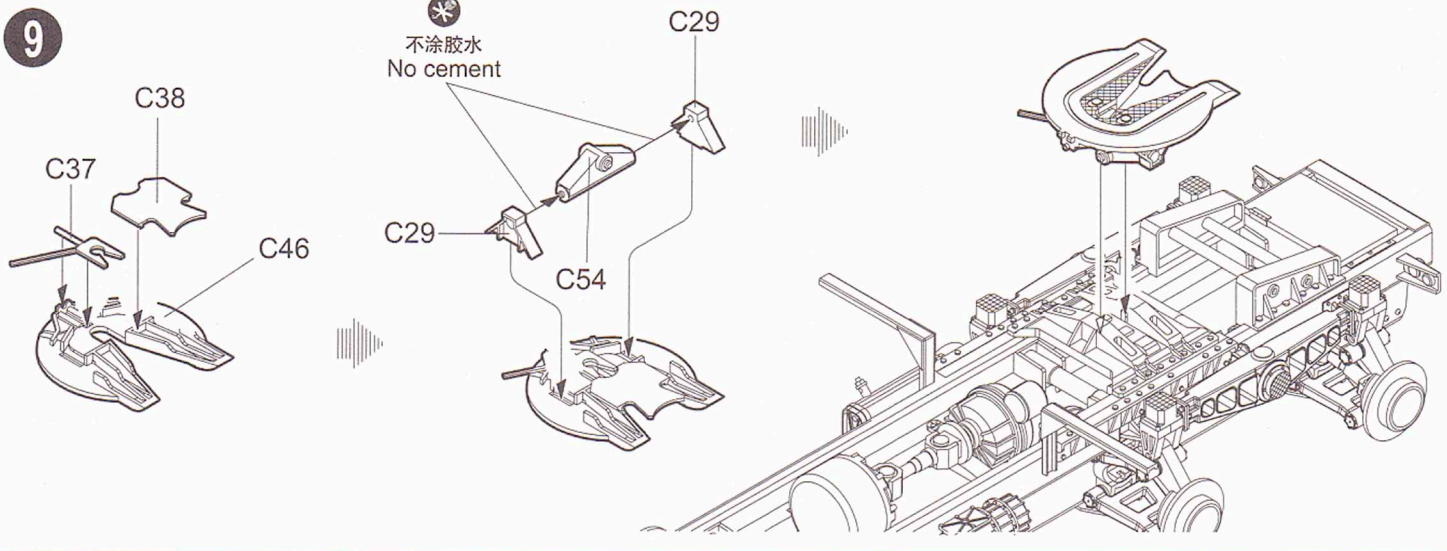


B5

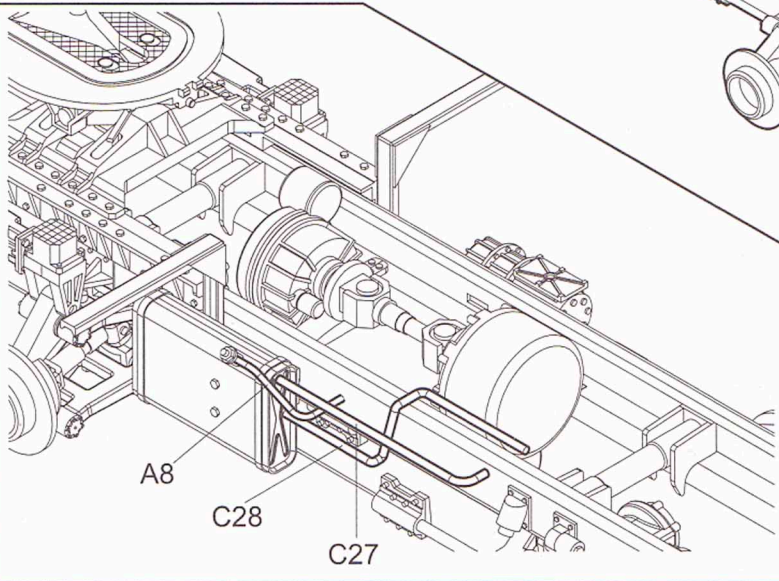
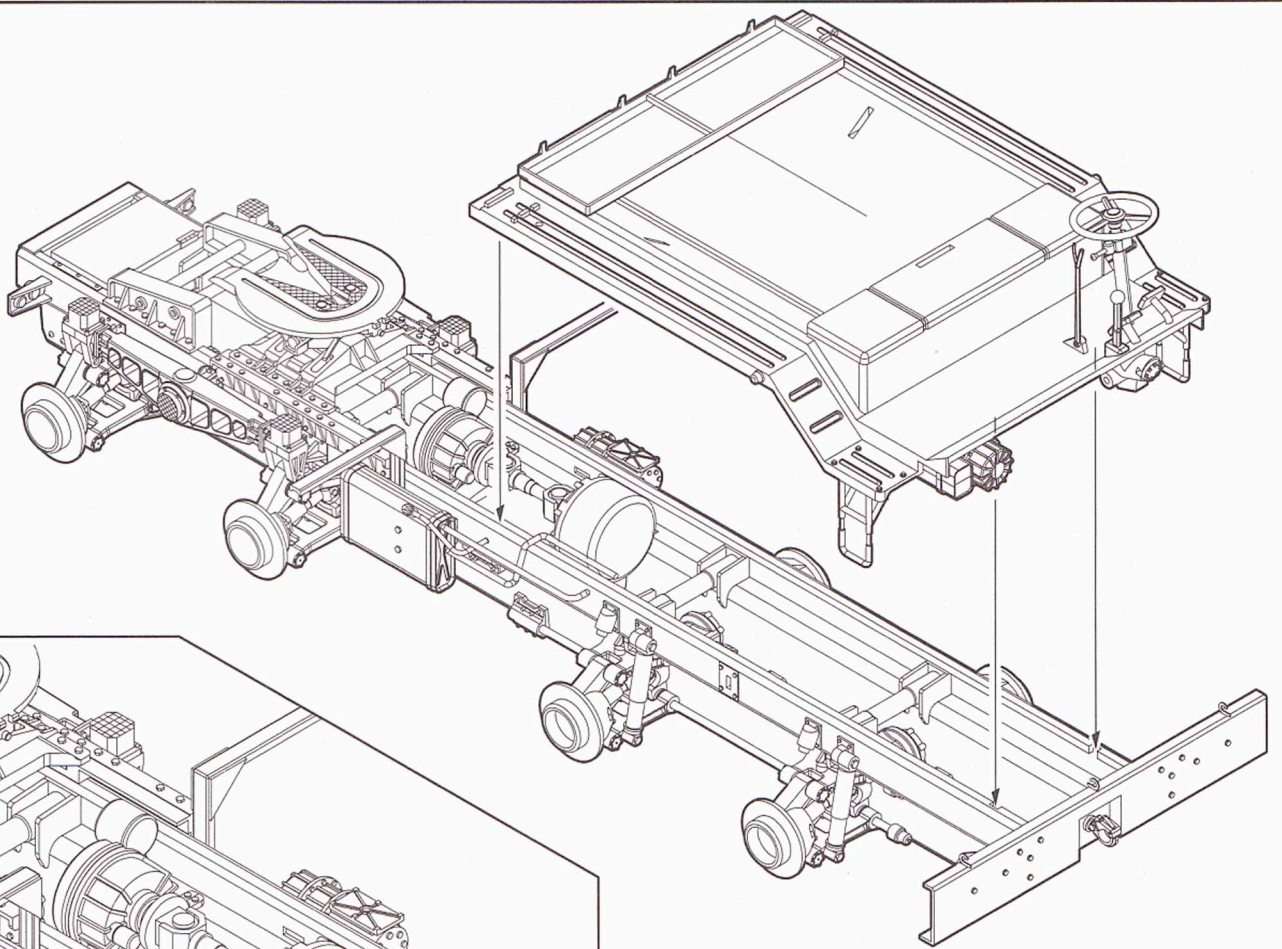
B4

B7

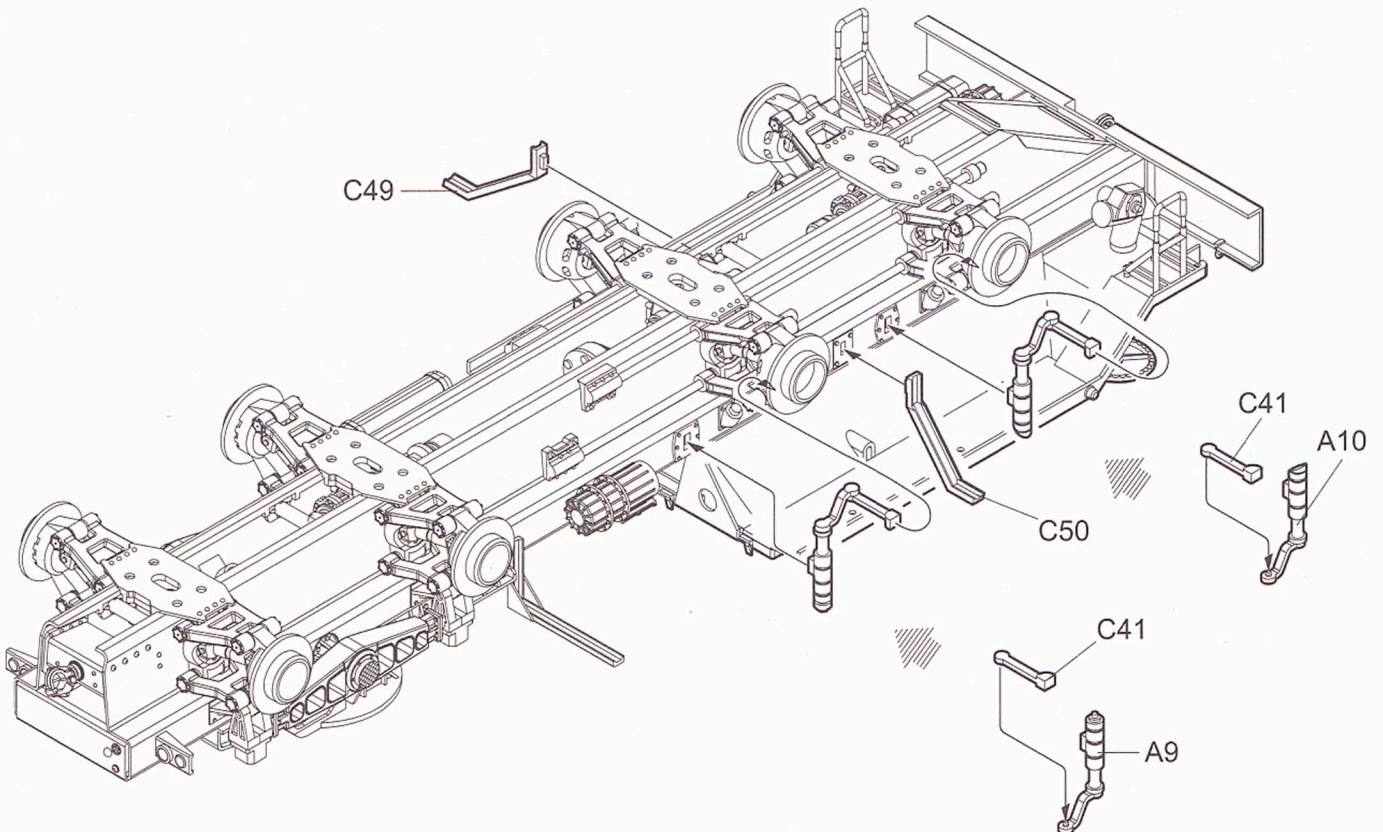




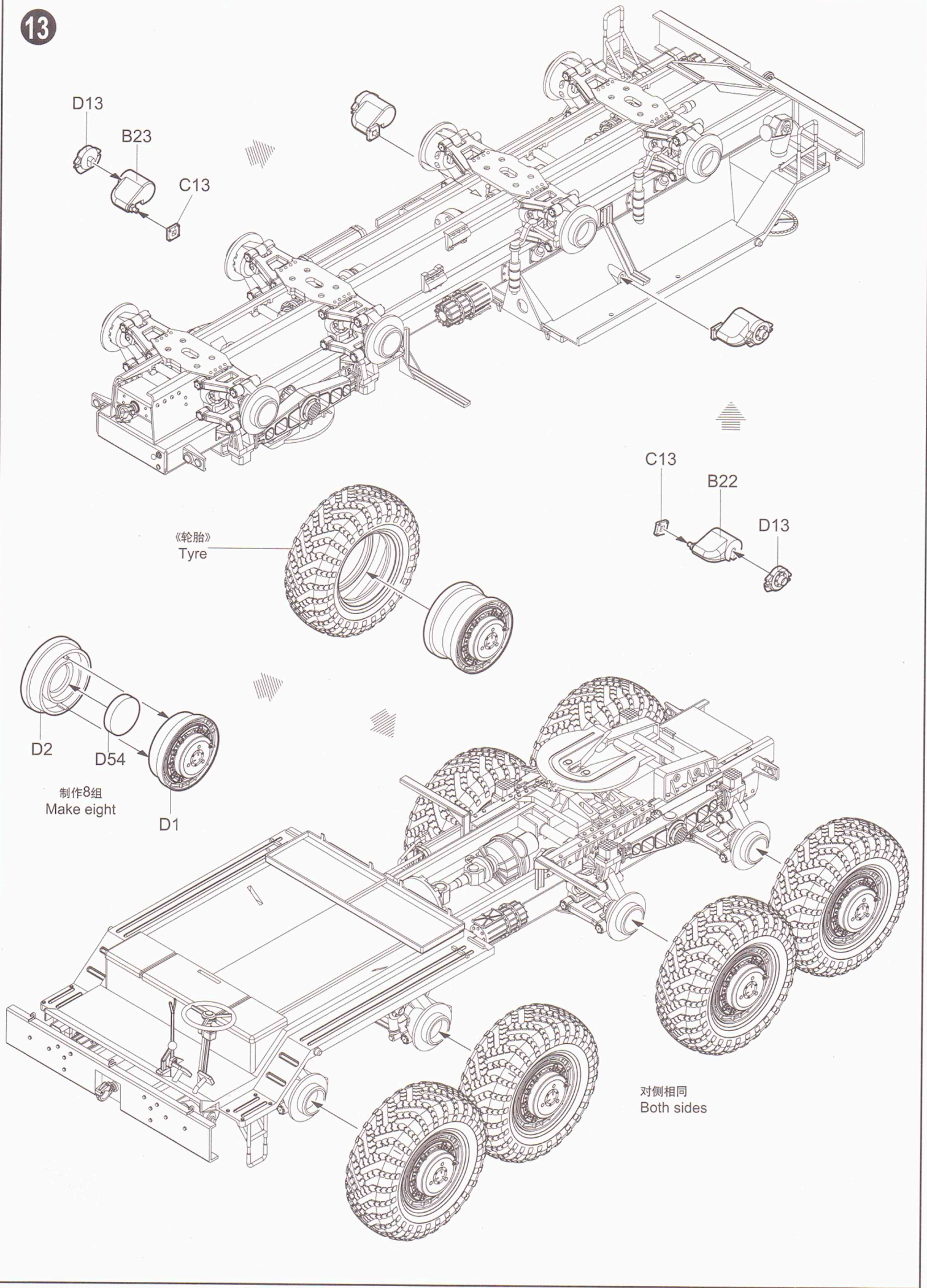
11



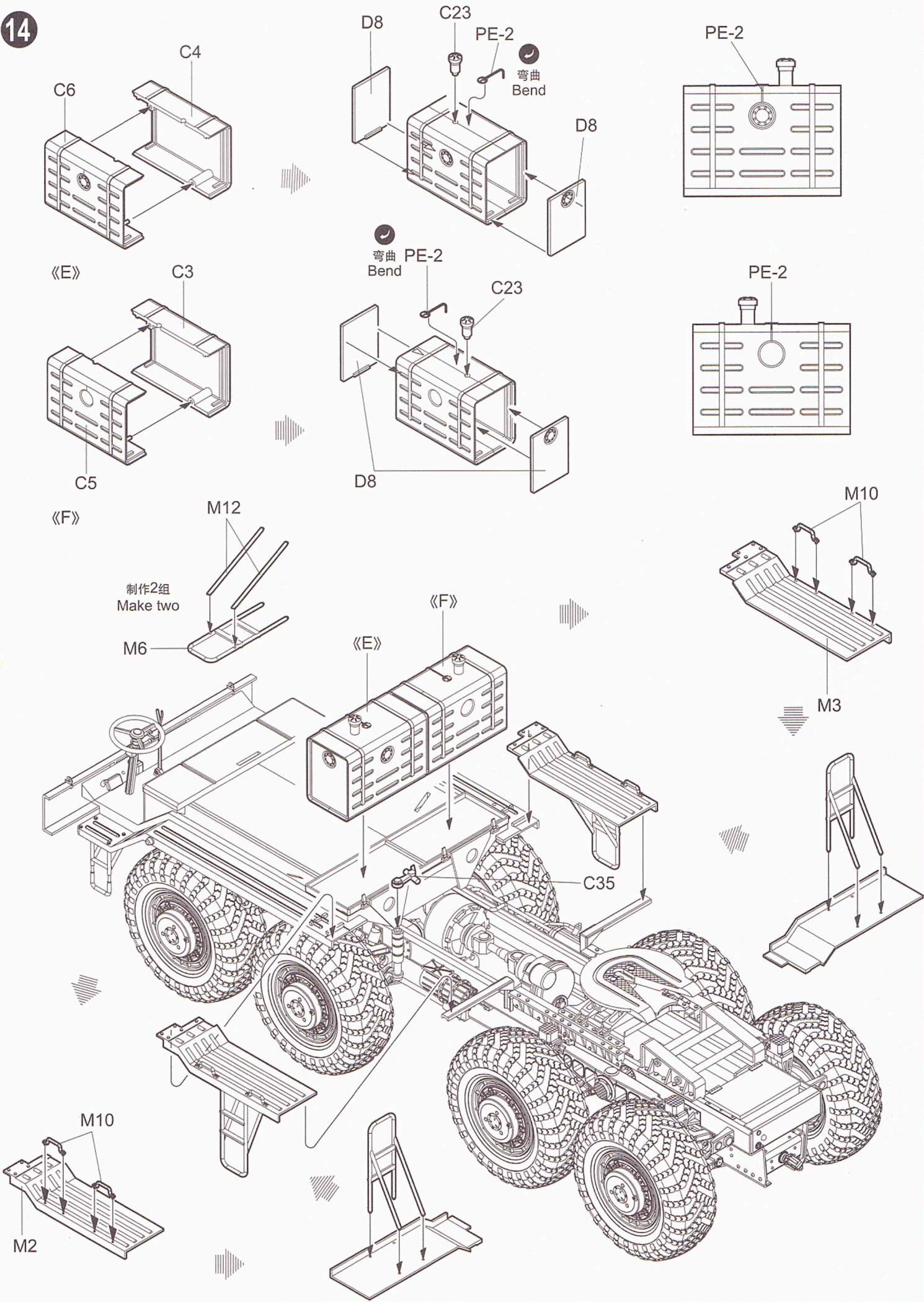
12



13



14



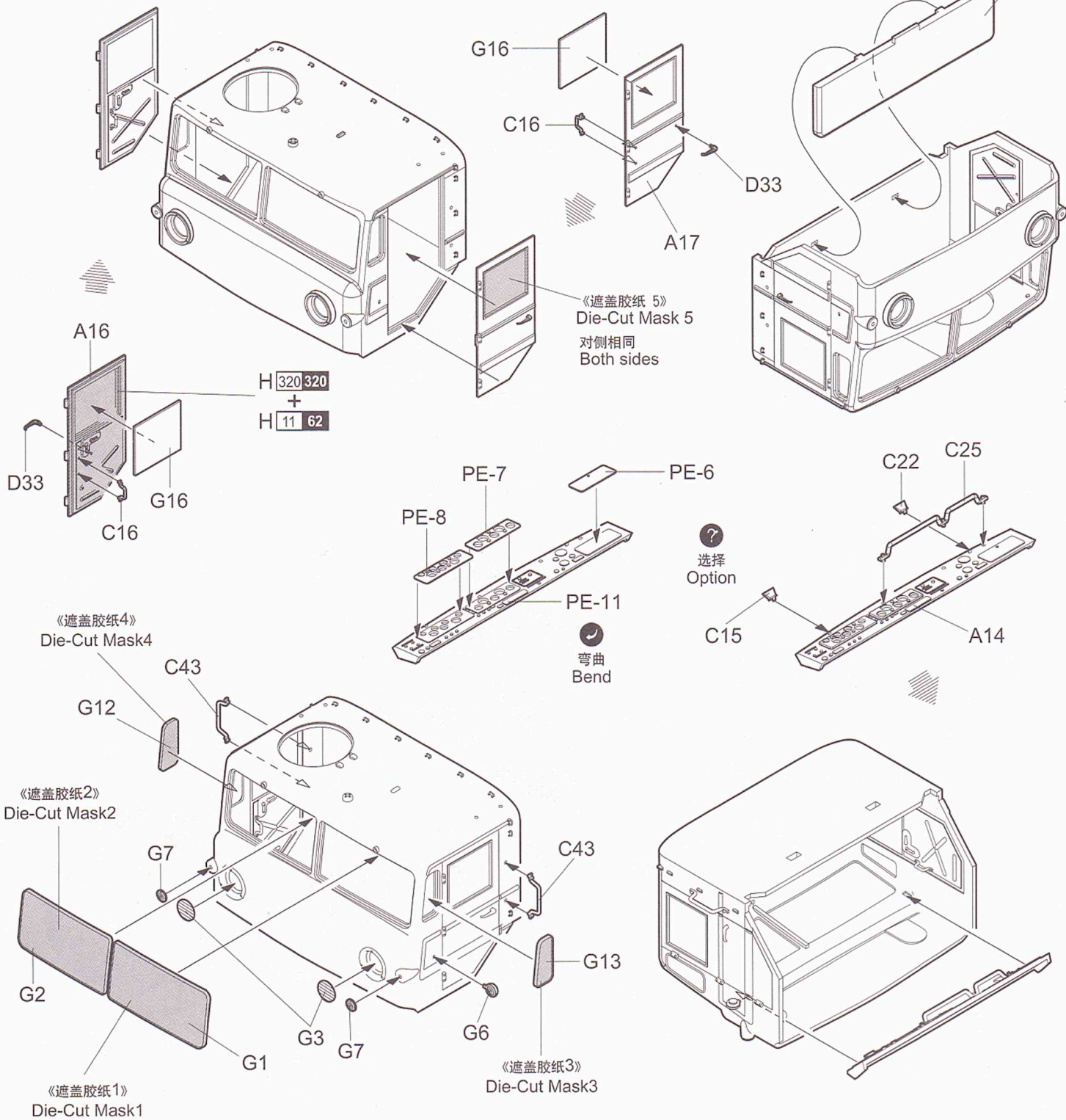
15

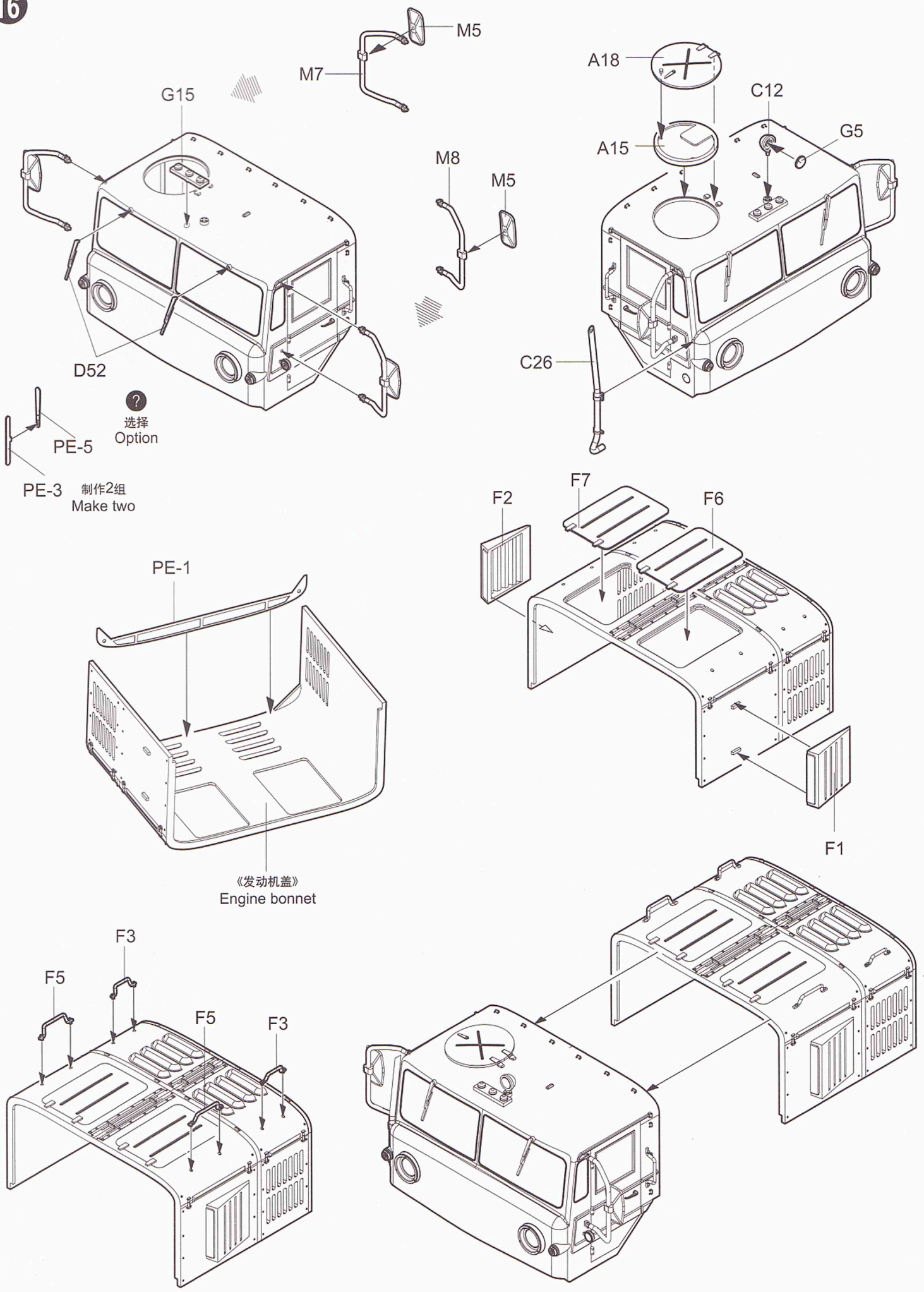
Ⓜ
钻孔
Make hole

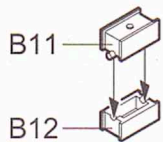
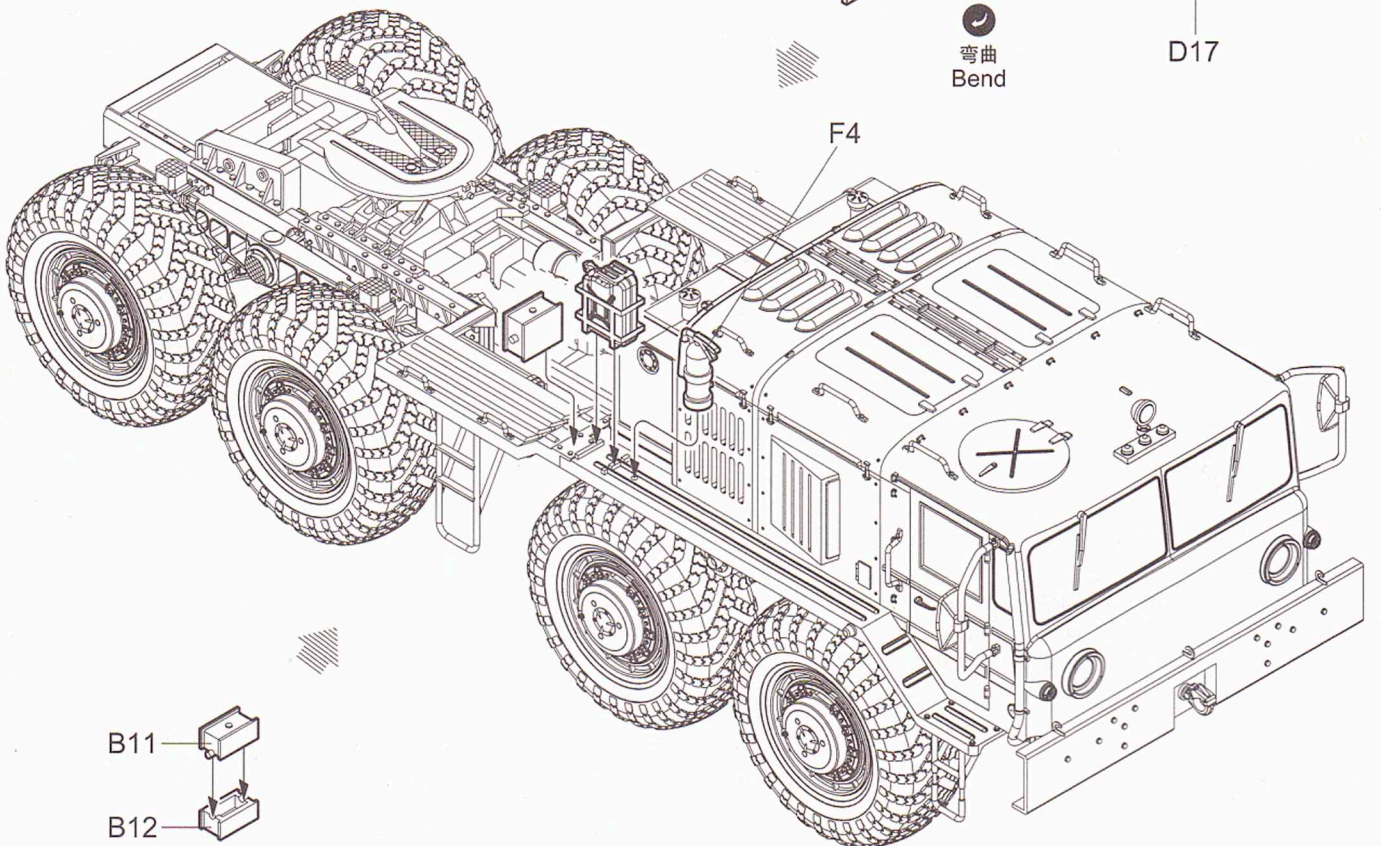
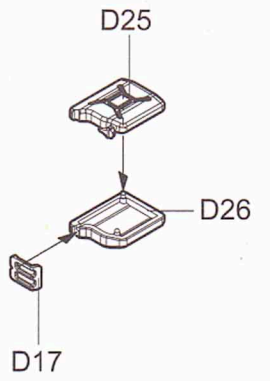
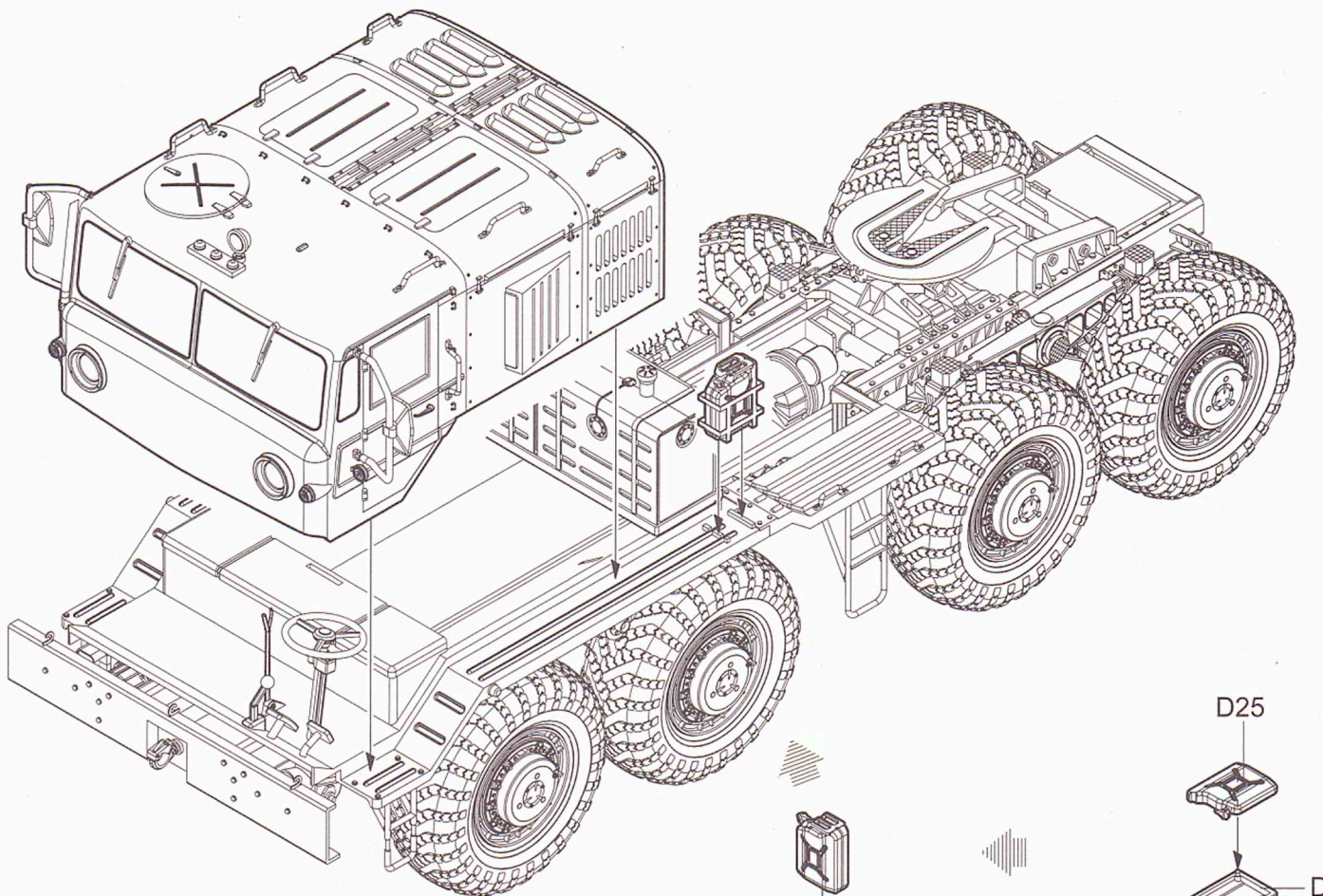
Ⓜ
钻孔
Make hole

Ⓜ
钻孔
Make hole

《驾驶室》
CAB





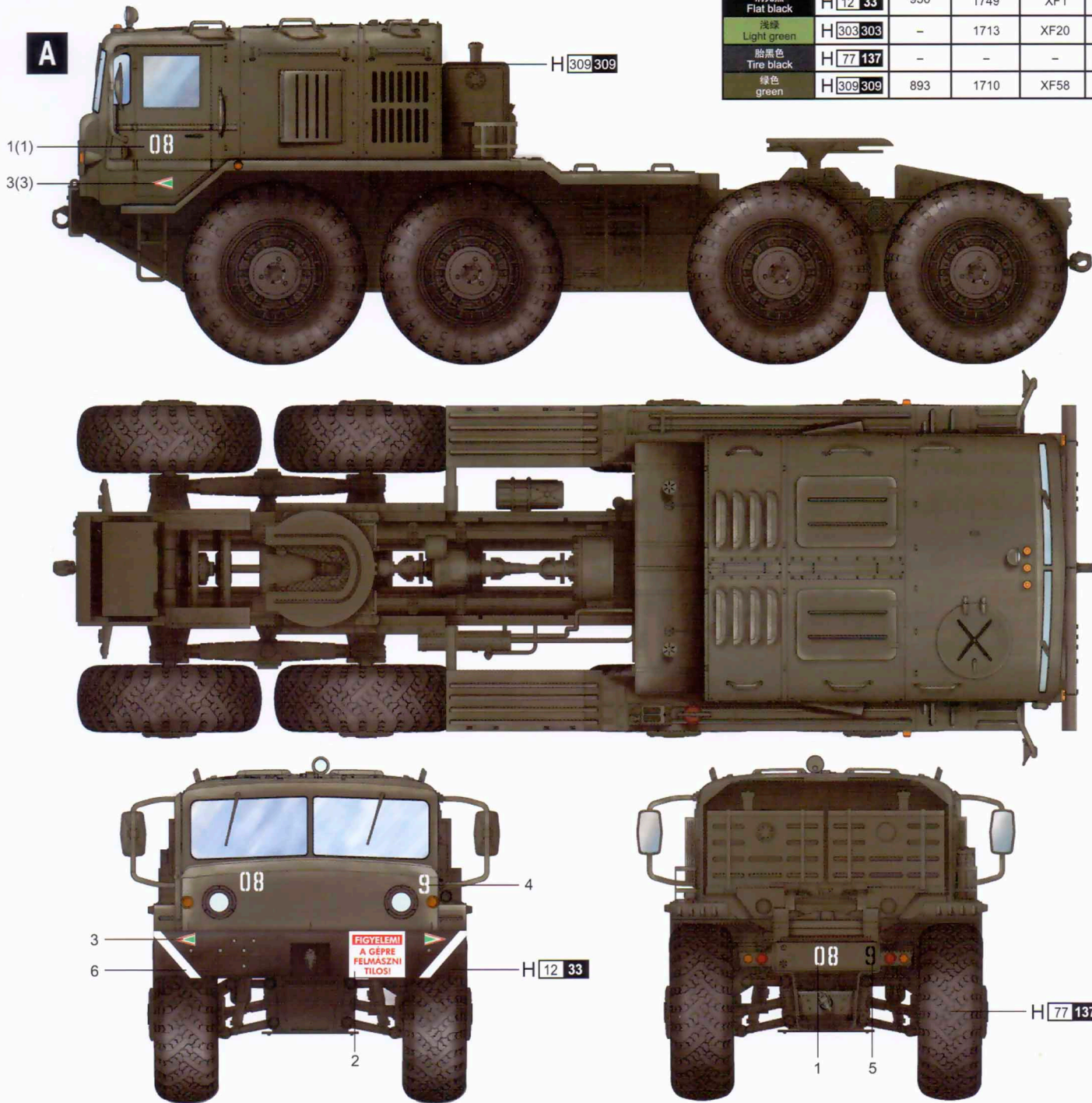


涂装同标贴指示
Painting & Marking guide

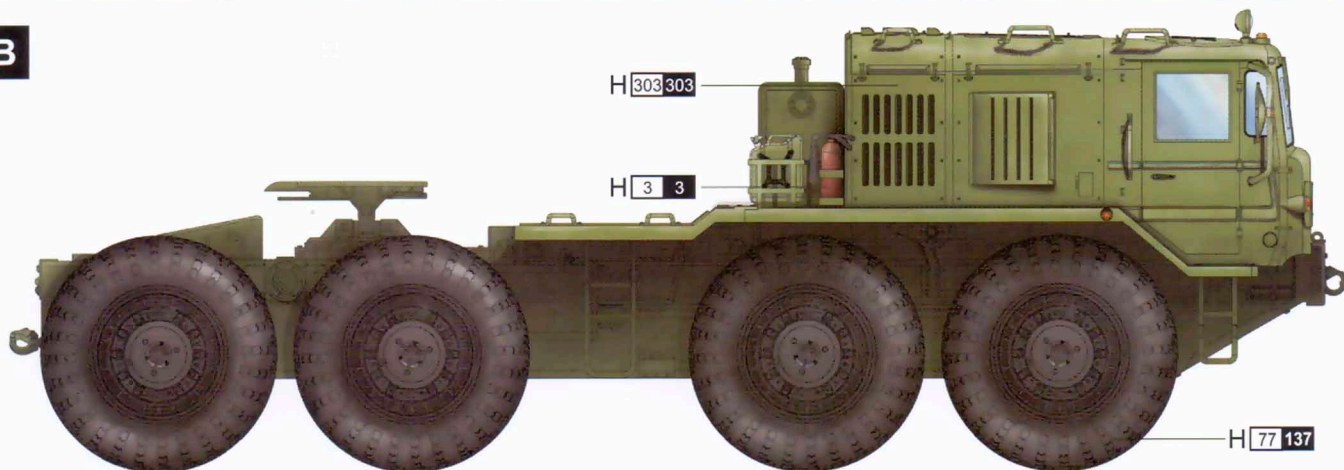
使用 MR.HOBBY 涂料 Mr. COLOR USED

Color	Mr.Hobby	Vallejo	Model Master	Tamiya	Humbrol
红色 Red	H 3 3	908	1503	X7	19
消光黑 Flat black	H 12 33	950	1749	XF1	33
浅绿 Light green	H 303 303	-	1713	XF20	117
胎黑色 Tire black	H 77 137	-	-	-	-
绿色 green	H 309 309	893	1710	XF58	116

A



B



H [X] AQUEOUS HOBBY COLOR X [X] Mr. COLOR

01006 1/35 MAZ-537 Last Production