

1/32 SCALE

ITEM NO.:02229

# AV-8B Harrier II

AV-8B “鹞” II 垂直起降攻击机



## READ BEFORE ASSEMBLY:

- Study and understand these instructions thoroughly before beginning assembly
- When needed, remove photo-etch parts carefully using a modeling knife or photo etch sprue cutter, being careful not to damage or lose small parts.
- Take extra care in handling photo etch parts in order to avoid injury
- Apply instant cement sparingly to photo etch parts where instructed

- Tools recommended(not included in kit):Plastic and instant cements,sprue cutters,long nose pliers,modeling knife, small files, tweezers, pin vise & scissors. Soft cloth and sandpaper will also assist in construction
- Glue and paint are not included in the kit. Use plastic cement and hobby paints only. Color guide for purchasing paint is included in the kit.

## 装配之前仔细阅读

- 小心用模型锉刀锉平所有零件表面的注射浇口。
- 小心用刀片切下蚀刻片零件，不要遗失小零件。
- 用强力快干胶水粘合蚀刻片零件和金属轴。过量的快干胶水使用可能导致可动零件会粘住，小心涂胶。
- 取蚀刻片时应特别注意安全，防止利边划伤手指。
- 某些零件表面需贴水贴纸，请选择在装配的同时进行。
- 推荐模型工具(自备)：胶水，水口剪刀，长咀钳，刀片，锉刀，镊子钳，钻，剪刀，瞬间快干胶。
- 软布同砂纸同时也应该是必备工具。
- 请使用塑料胶水和油漆，模型内不含。

## 水贴纸的使用:

1. 从水贴纸上剪下印花;
2. 将印花放入温水中浸10秒, 然后放在干净布上;
3. 拿着印花纸板将印花移到模型上;
4. 手指蘸水将印花移到适当的位置;
5. 用软布轻压印花直至水干, 汽泡消失.

## DECAL APPLICATION:

1. Cut decals from sheet as needed
2. Dip the decal in warm water for about 10 seconds and then place on soft clean cloth.
3. Hold the decal backing sheet edge and gently slide the decal onto the model in its proper position.

4. While still wet, decal can be adjusted for better fit on model by dampening it gently with your finger.
5. When placed in the proper position, gently press decal down with a soft cloth until excess water and air bubbles are gone.
6. Allow decal to dry completely before handling model



cynocrylate glue  
使用强力胶



weight  
配重



make hole  
钻孔



cut / remove  
切除



option  
选择



no cement  
不涂胶水



decal  
贴纸



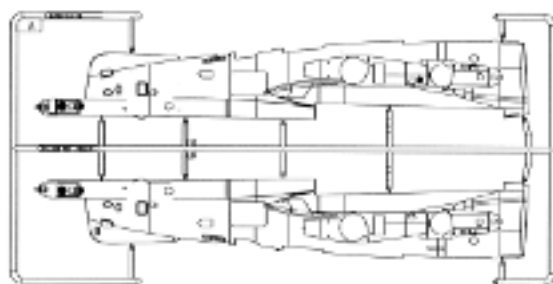
bend  
弯曲



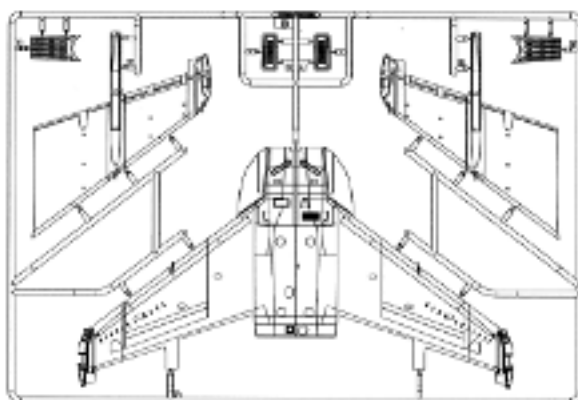
file / sand  
锉平

部品图 Parts

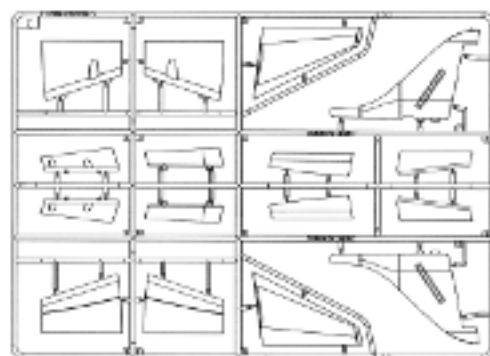
A



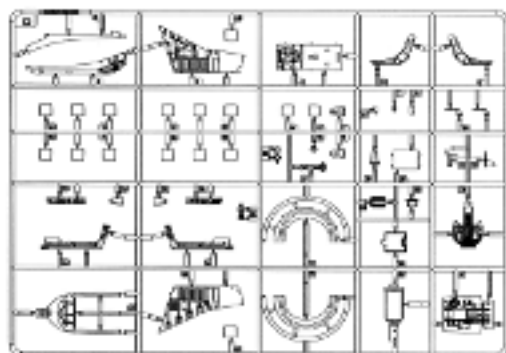
B



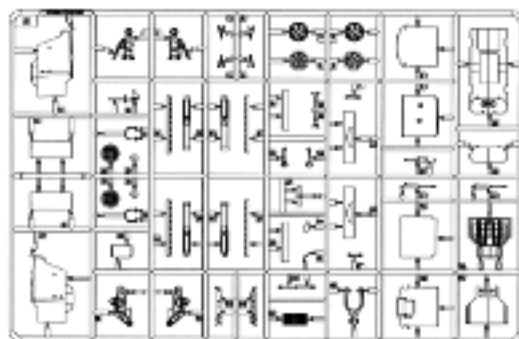
C



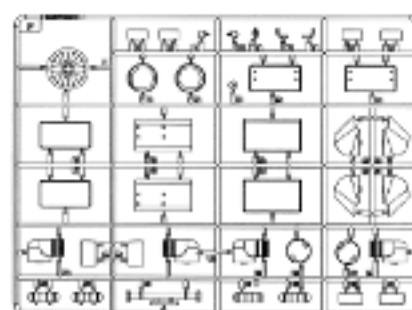
D



E

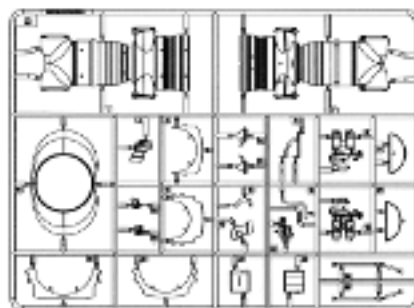


F

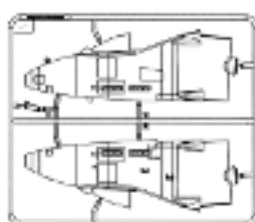


# 部品图 Parts

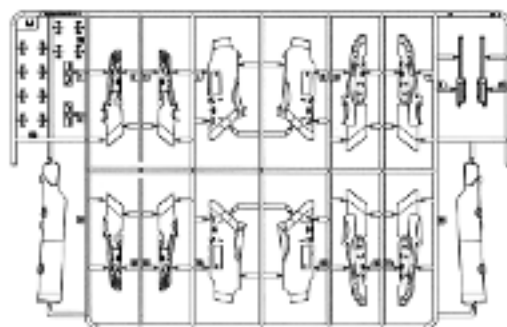
G



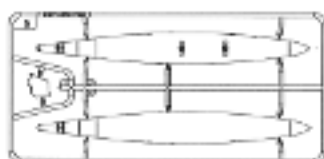
S



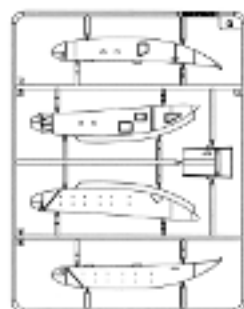
M



N X2



Q



R



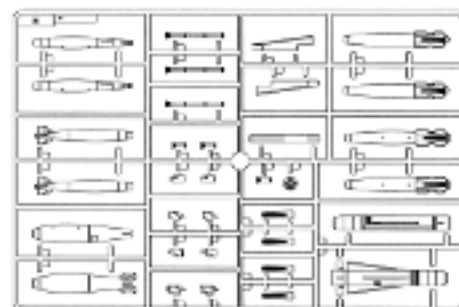
◁前轮胎▶  
Nose tyre



◁主轮胎▶ X2  
Main tyre



H X2



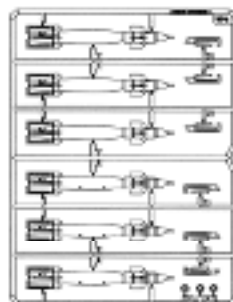
◁辅助轮胎▶ X2  
Assistat tyre



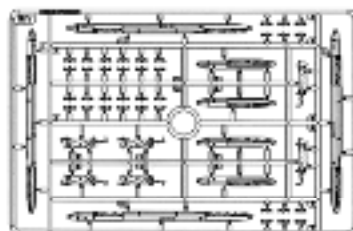
WC X2



WN X2



WY



◁贴纸▶ A  
Decal A



◁贴纸▶ B  
Decal B

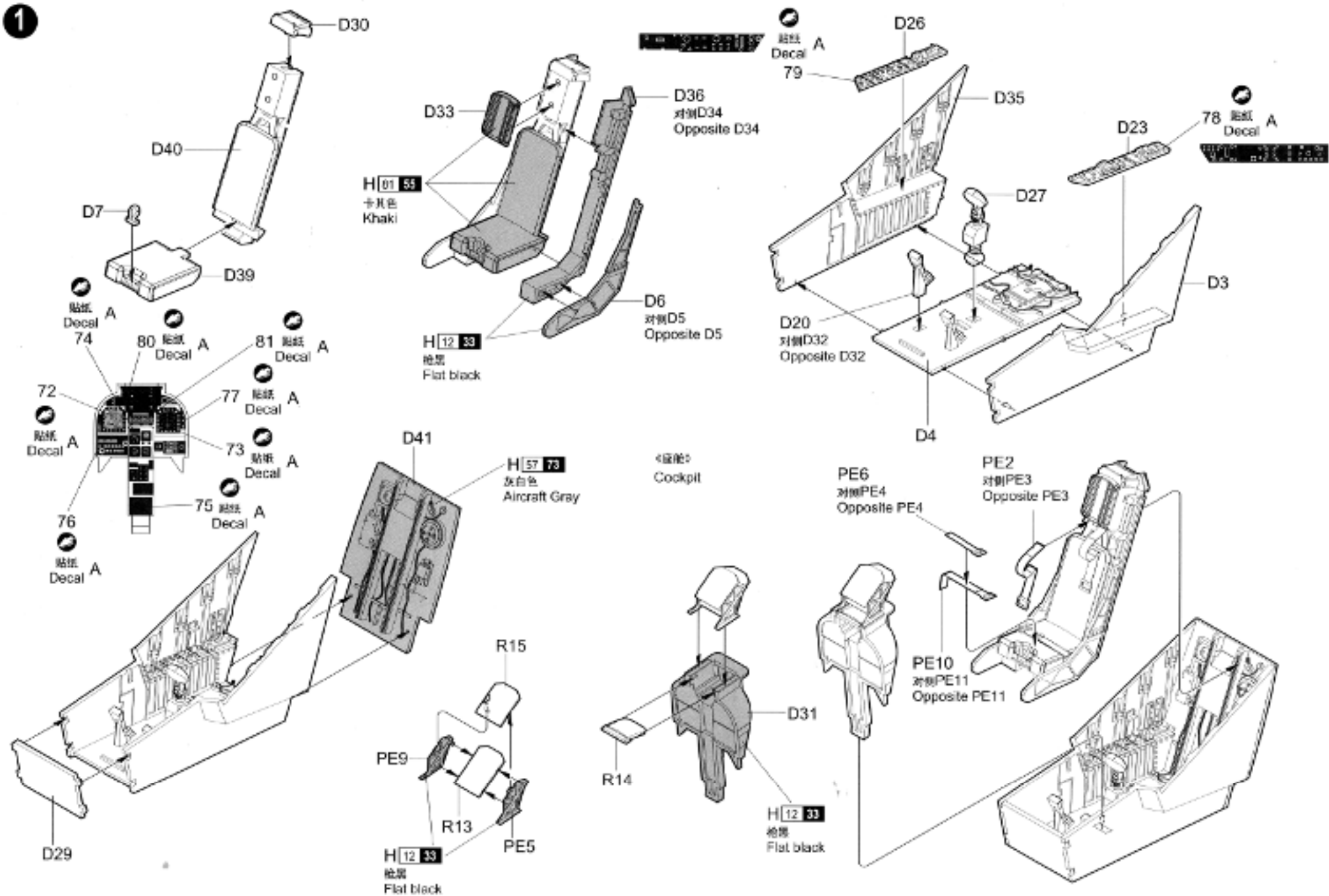


◁蚀刻片▶  
Photo etched parts

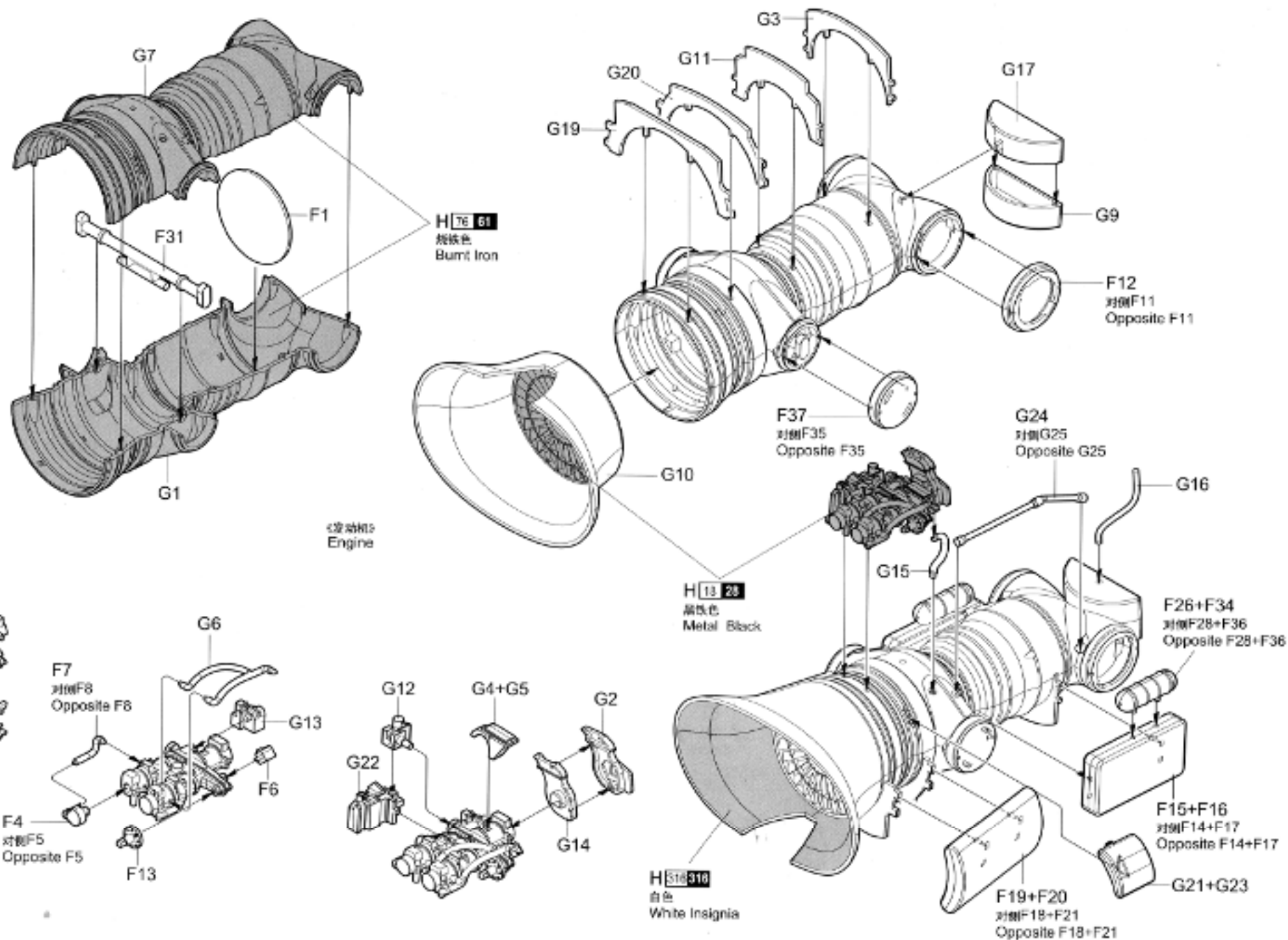


不用的部件: B3 B4 D28 R9 R10 R11 R12 WY1 WY2 WY3 WY8  
Unused Parts

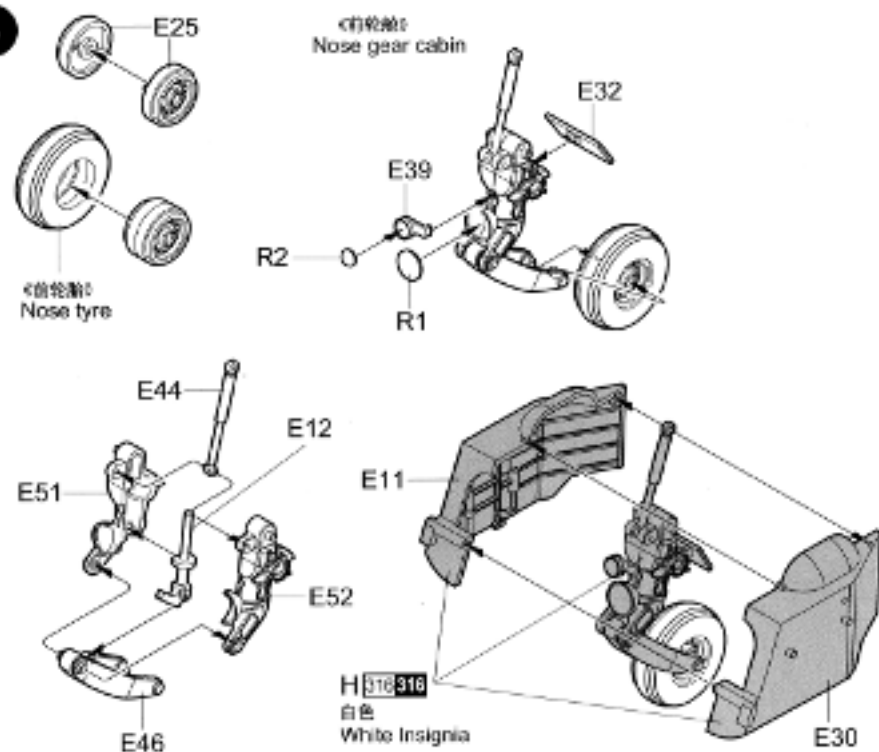
1



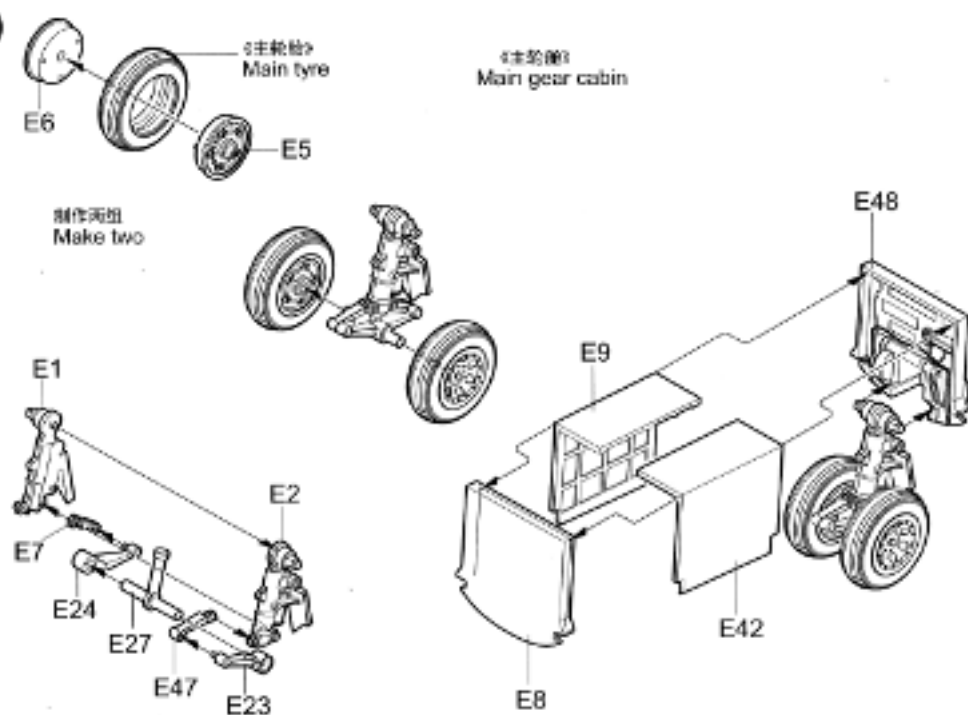
2



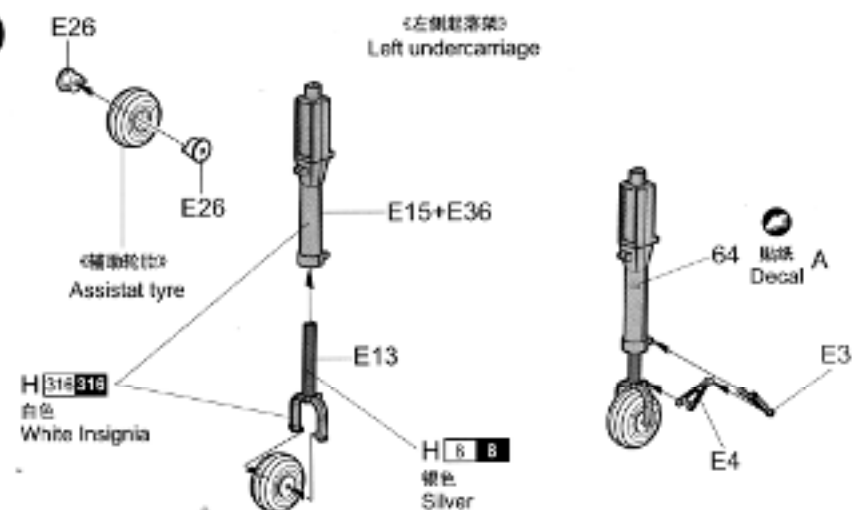
3



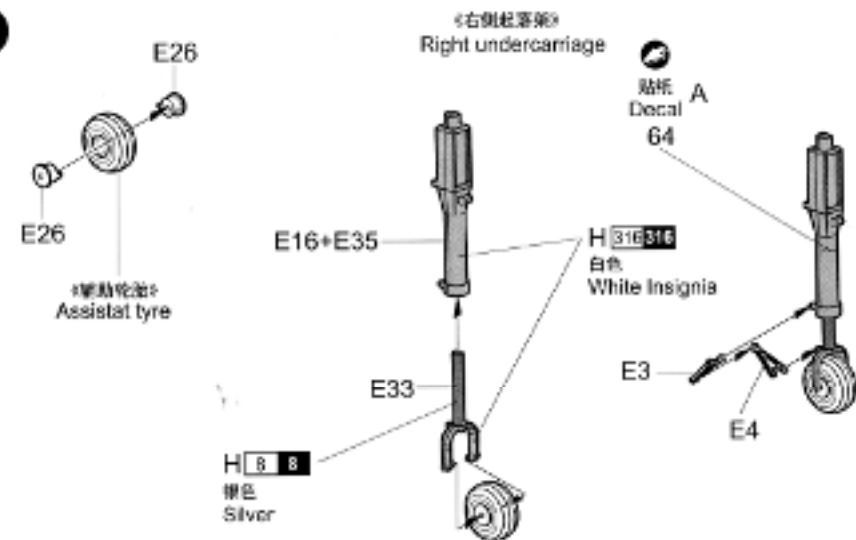
4



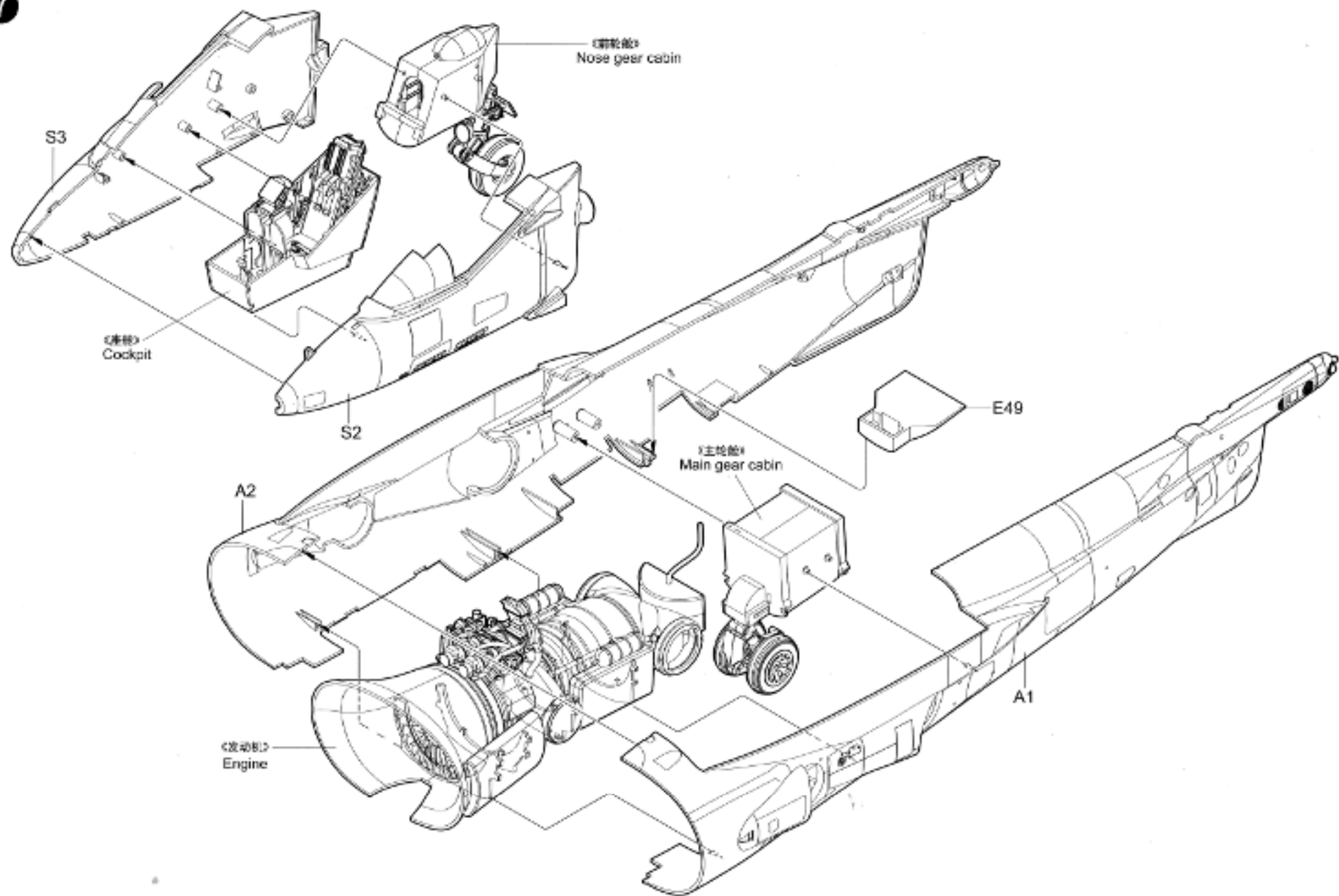
5



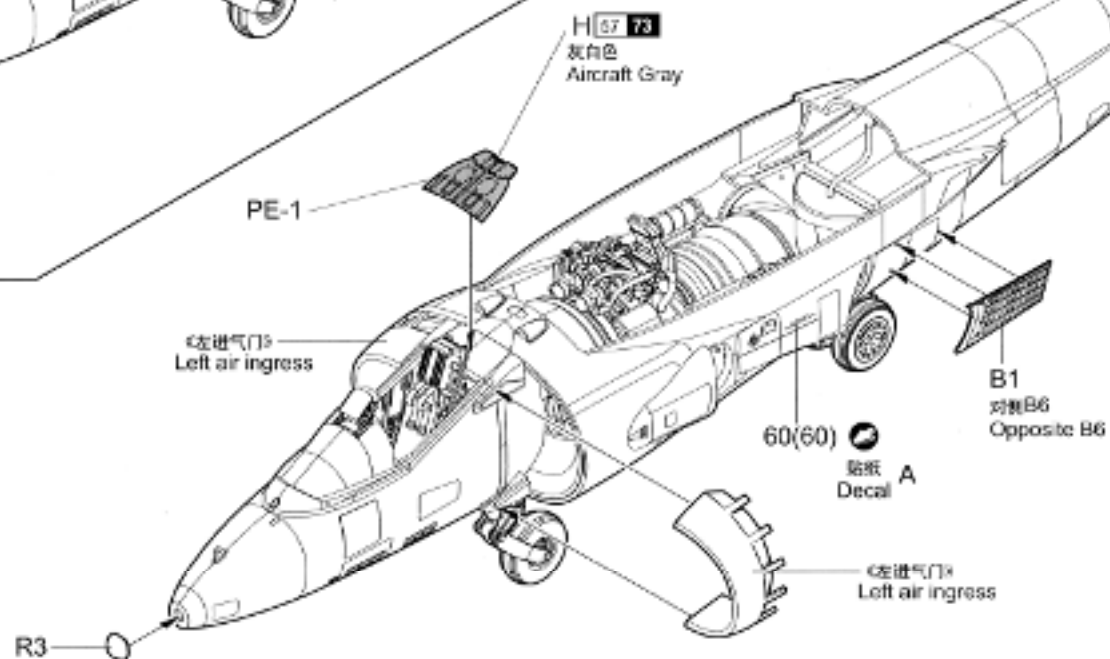
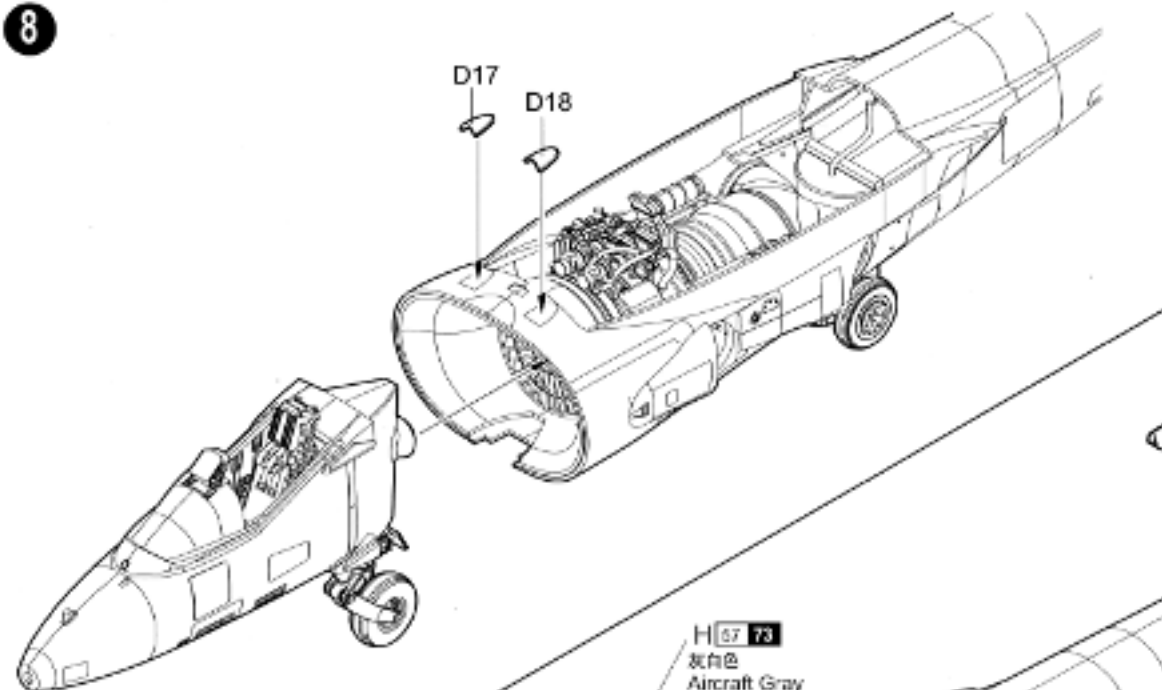
6



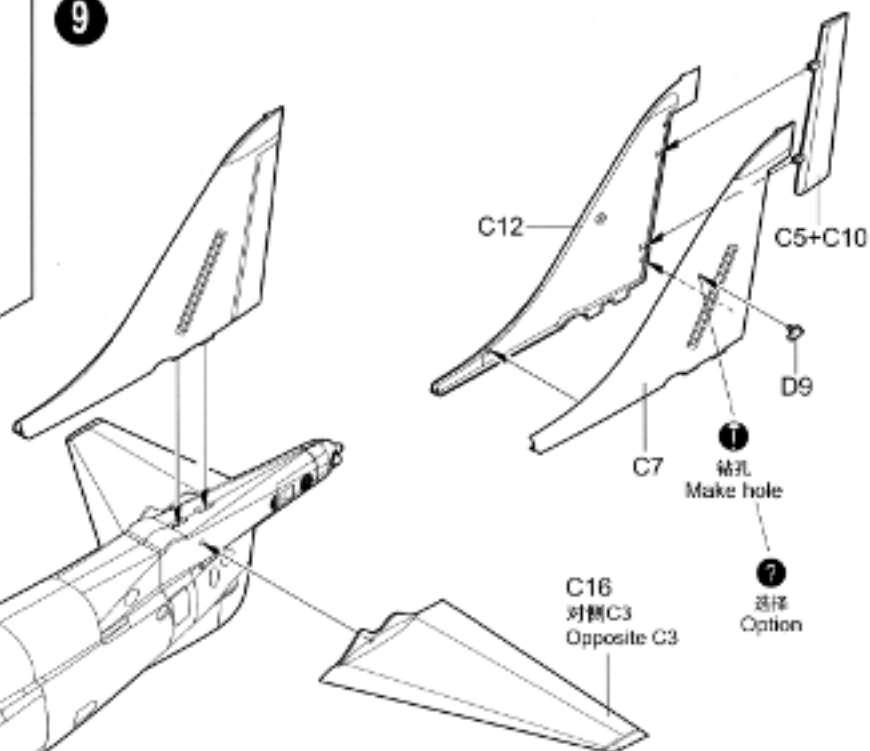
7



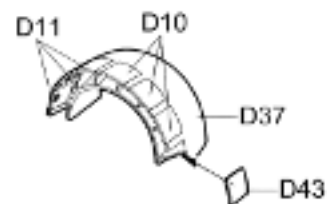
8



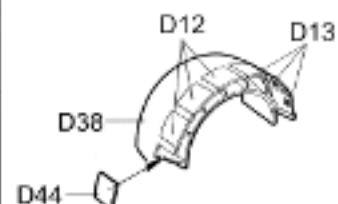
9



«左进气门»  
Left air ingress



«右进气门»  
Right air ingress



闭合状态  
Close

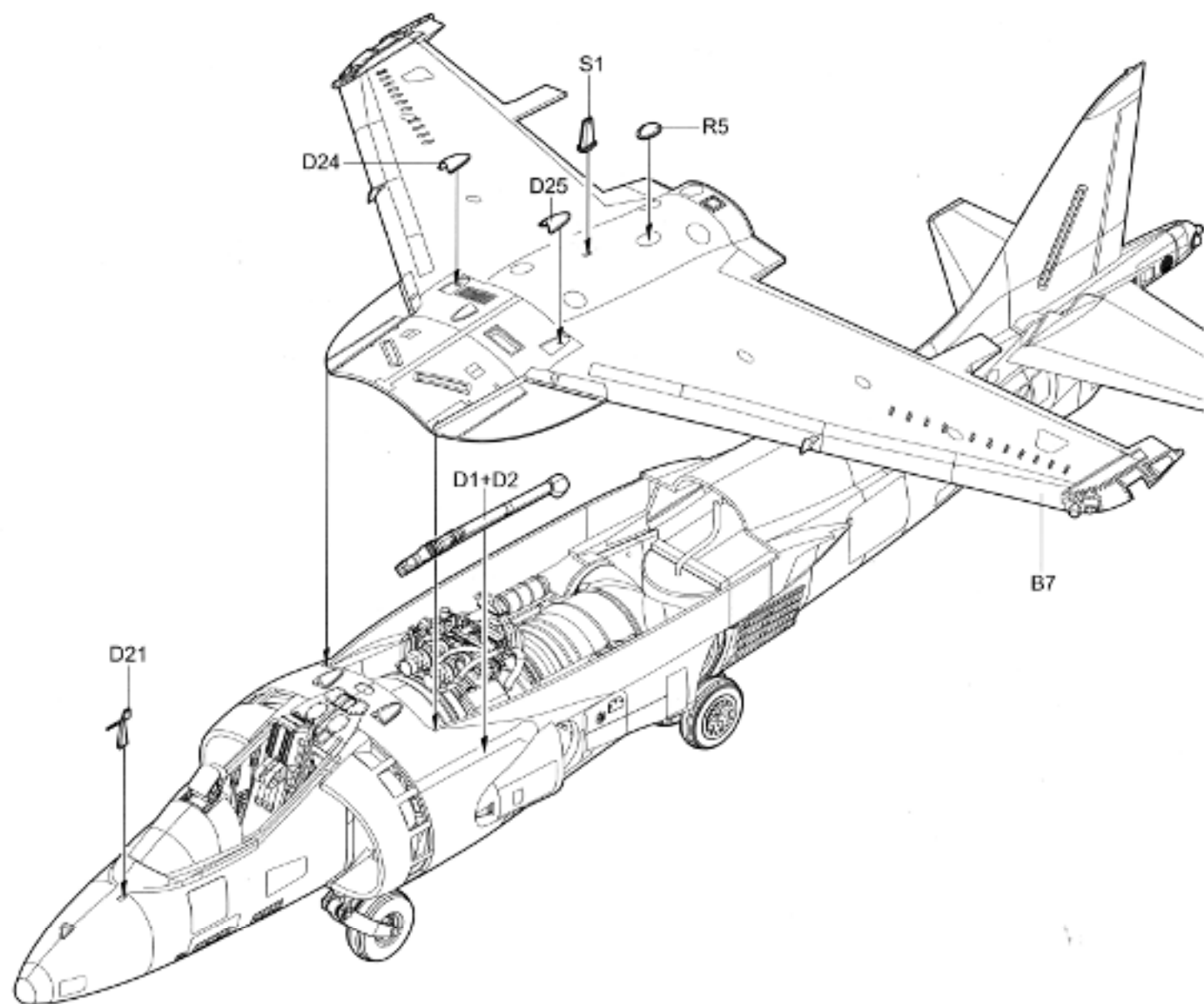


闭合状态  
Close



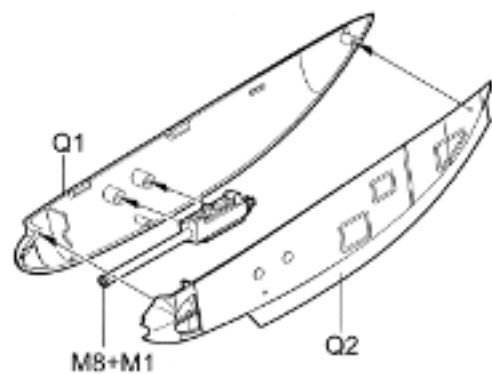


10



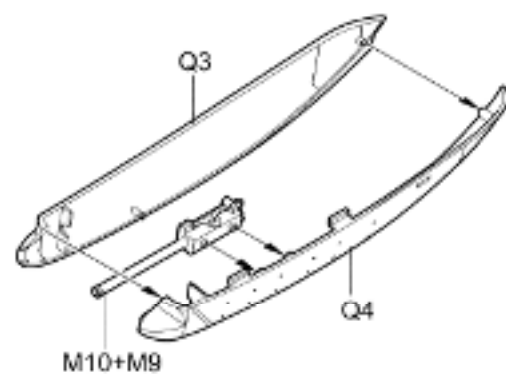
11

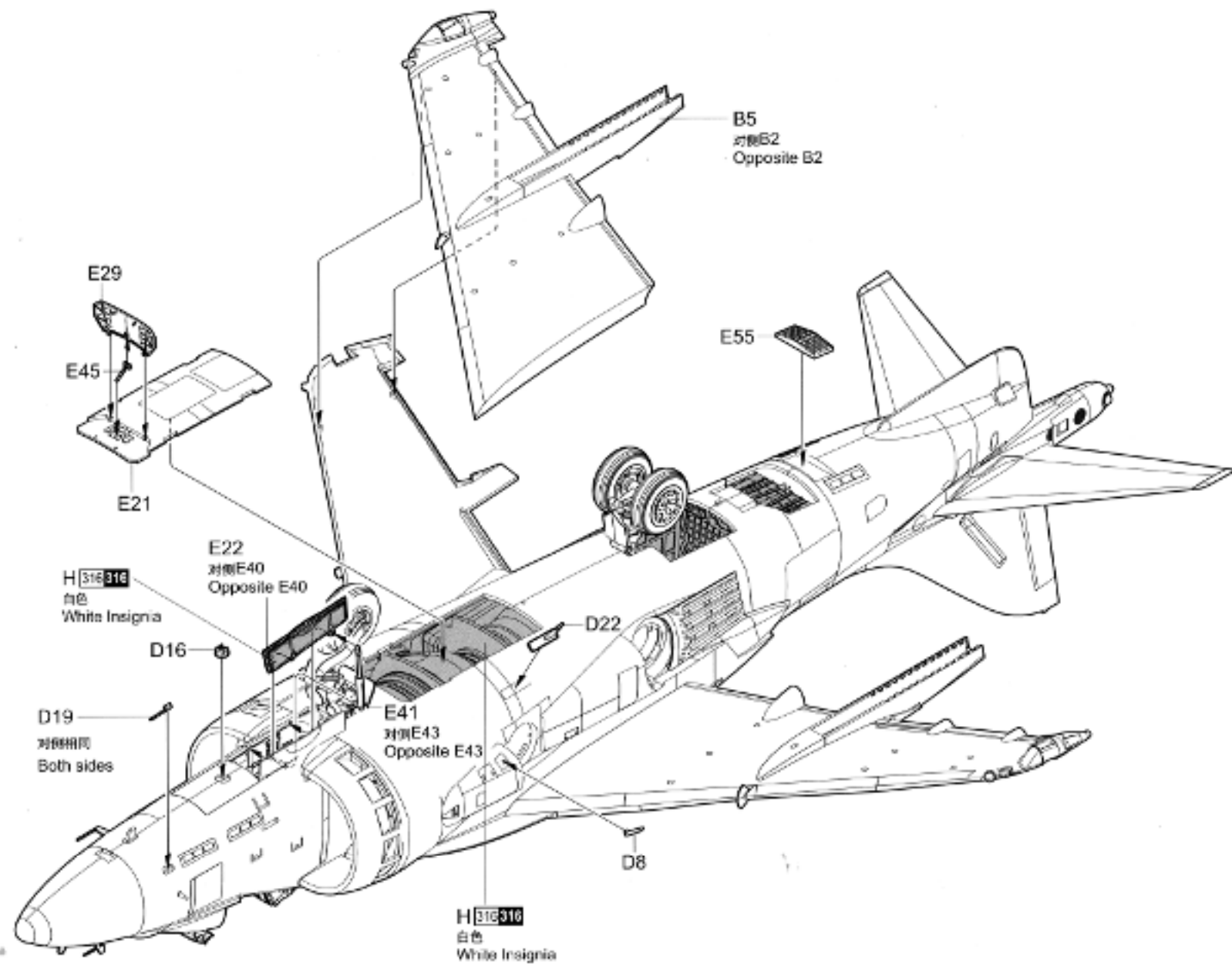
左侧机枪  
Left machine gun



12

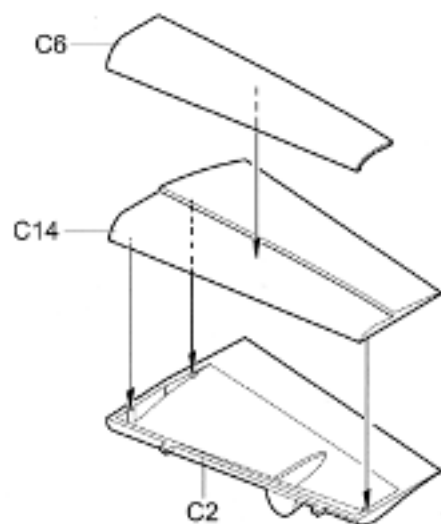
右侧机枪  
Right machine gun





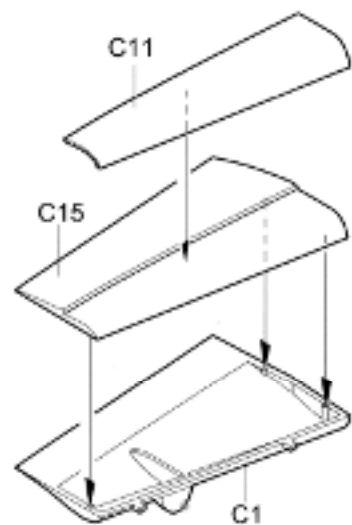
14

《右侧襟翼》  
Right slat

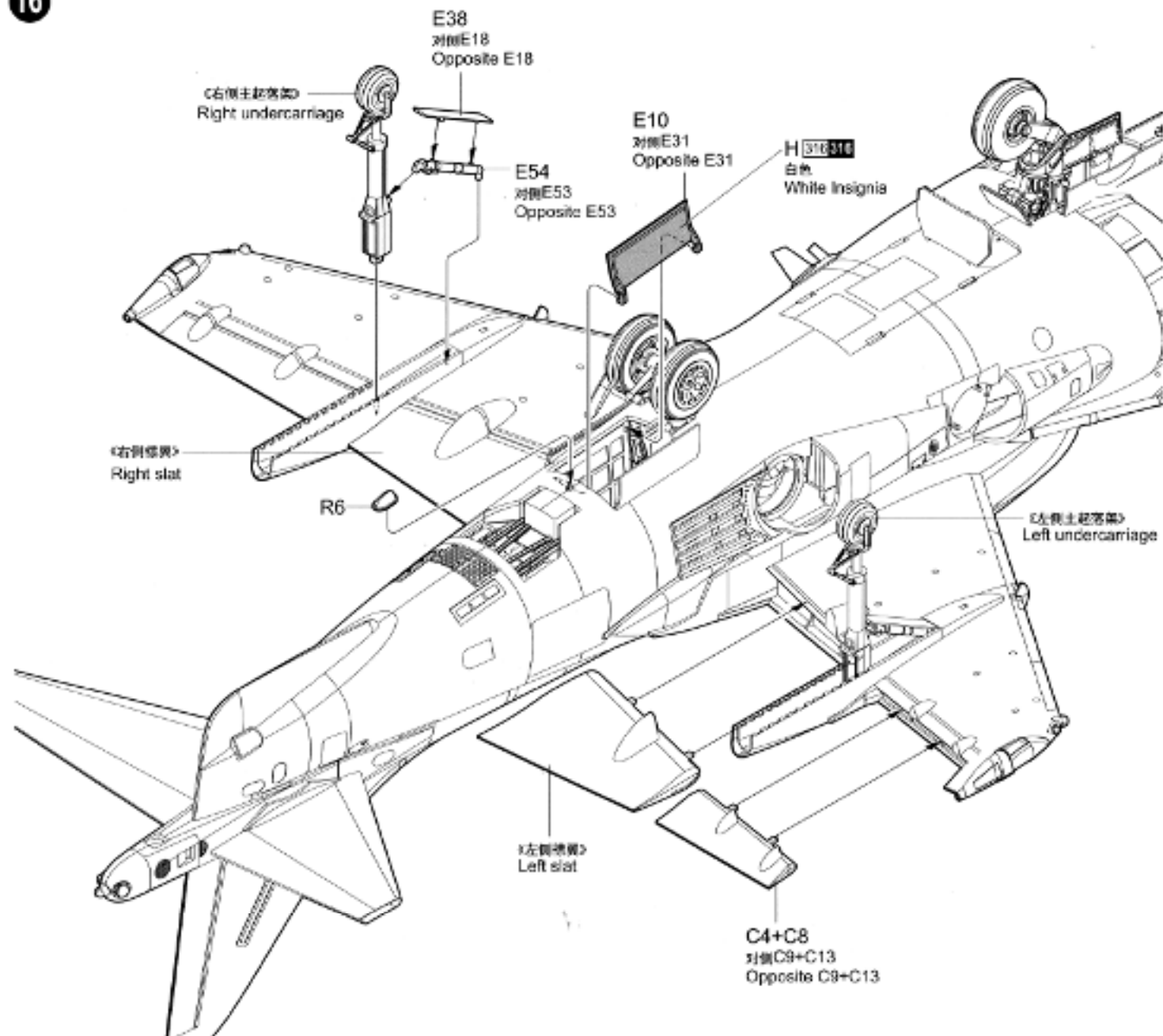


15

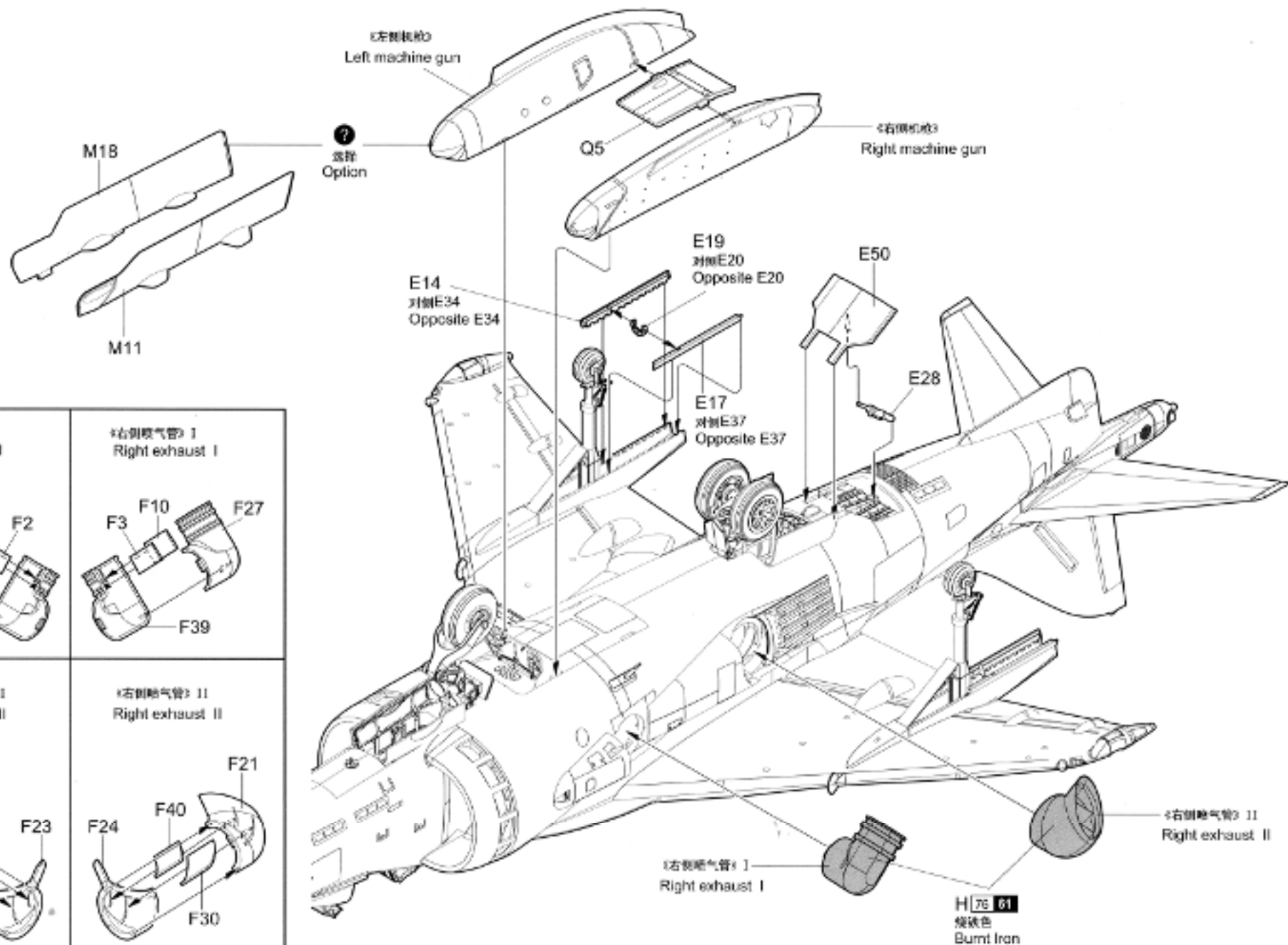
《左侧襟翼》  
Left slat



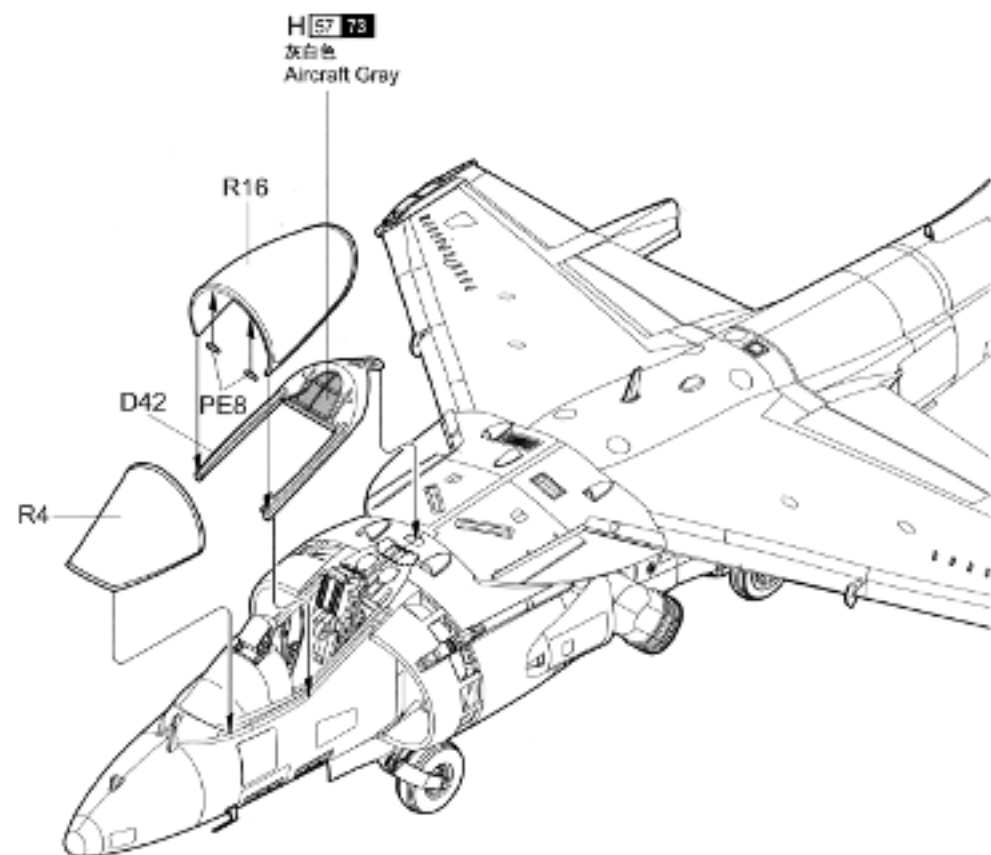
16



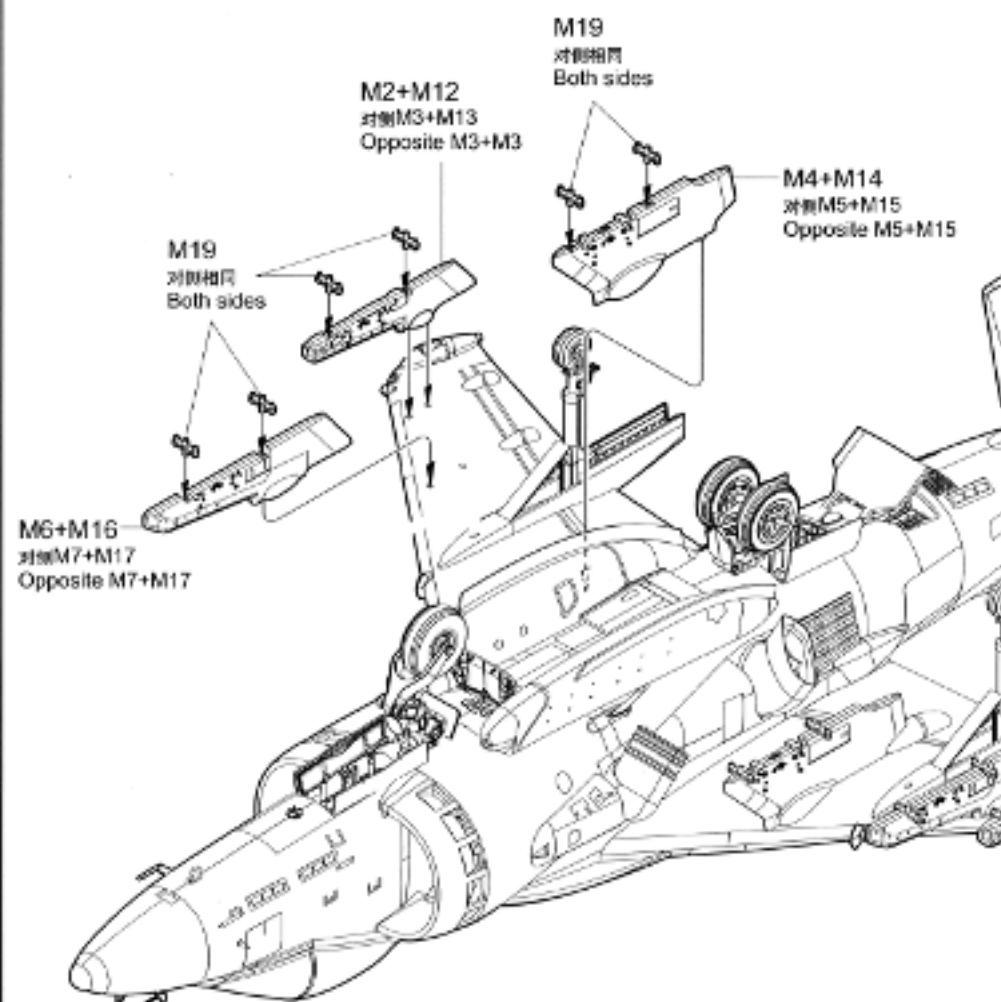
17



18

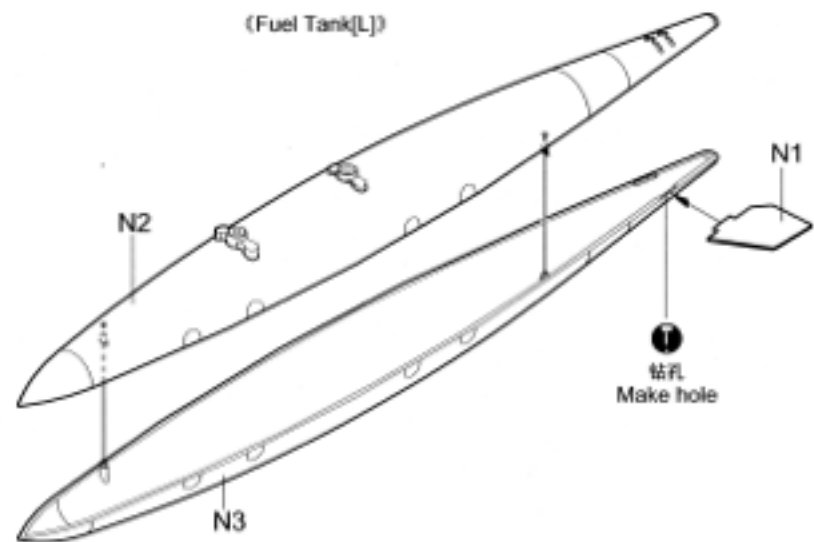


19



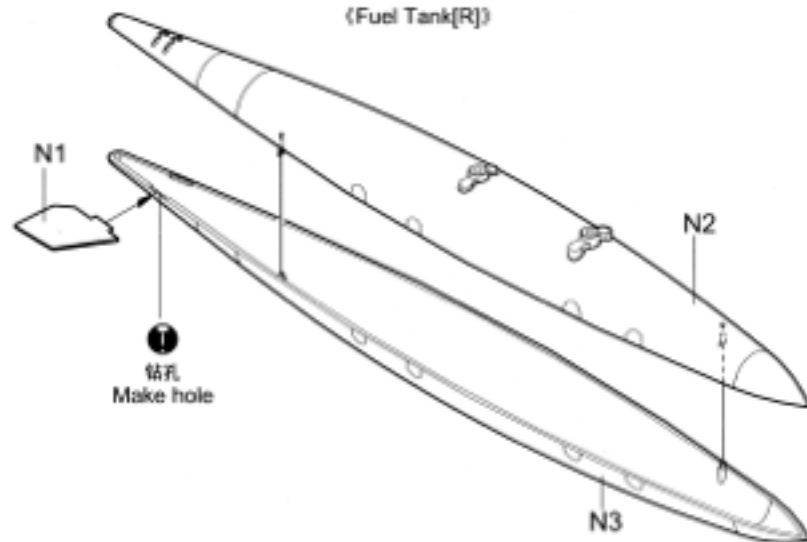
20

(Fuel Tank[L])



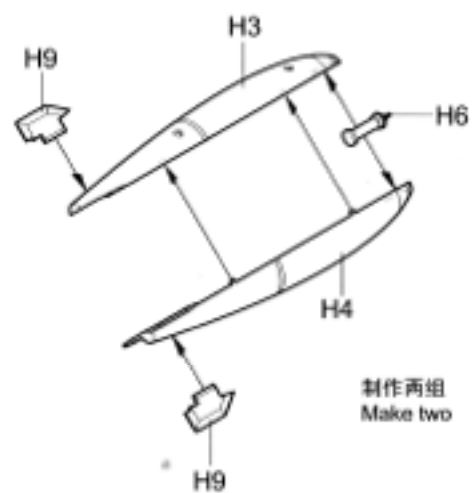
21

(Fuel Tank[R])



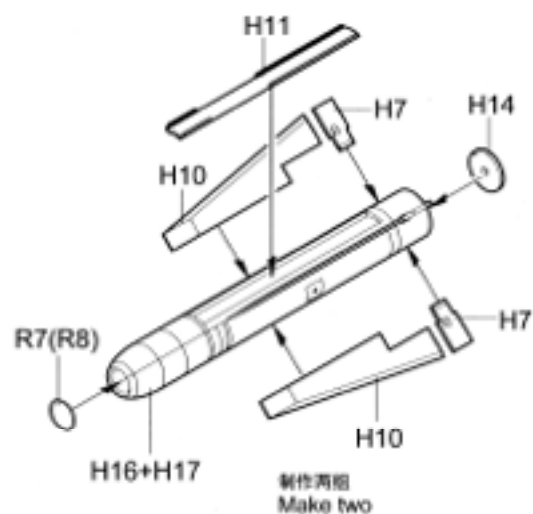
22

(MK-117)



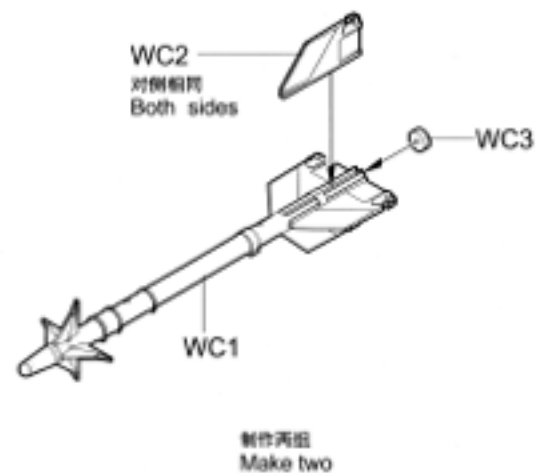
23

(AGM-65)



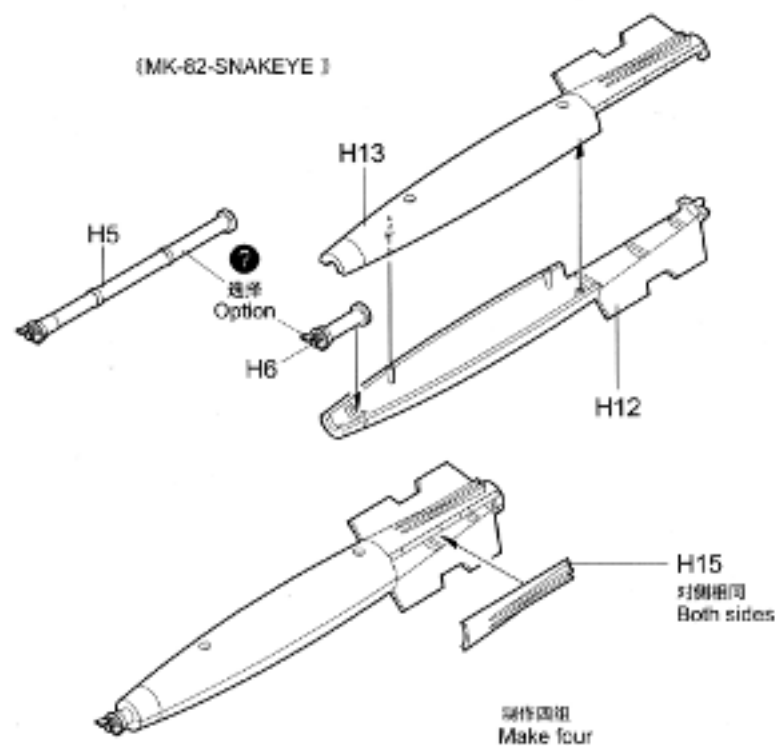
24

(AIM-9L)



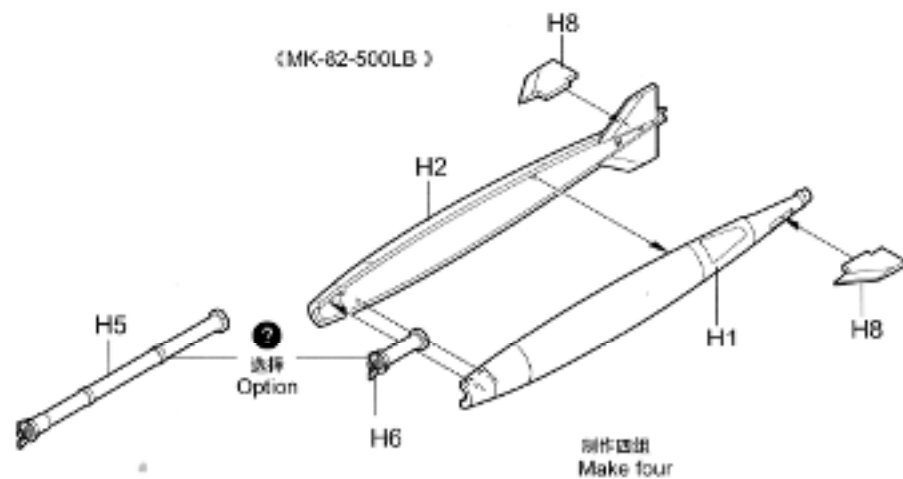
25

(MK-82-SNAKEYE)



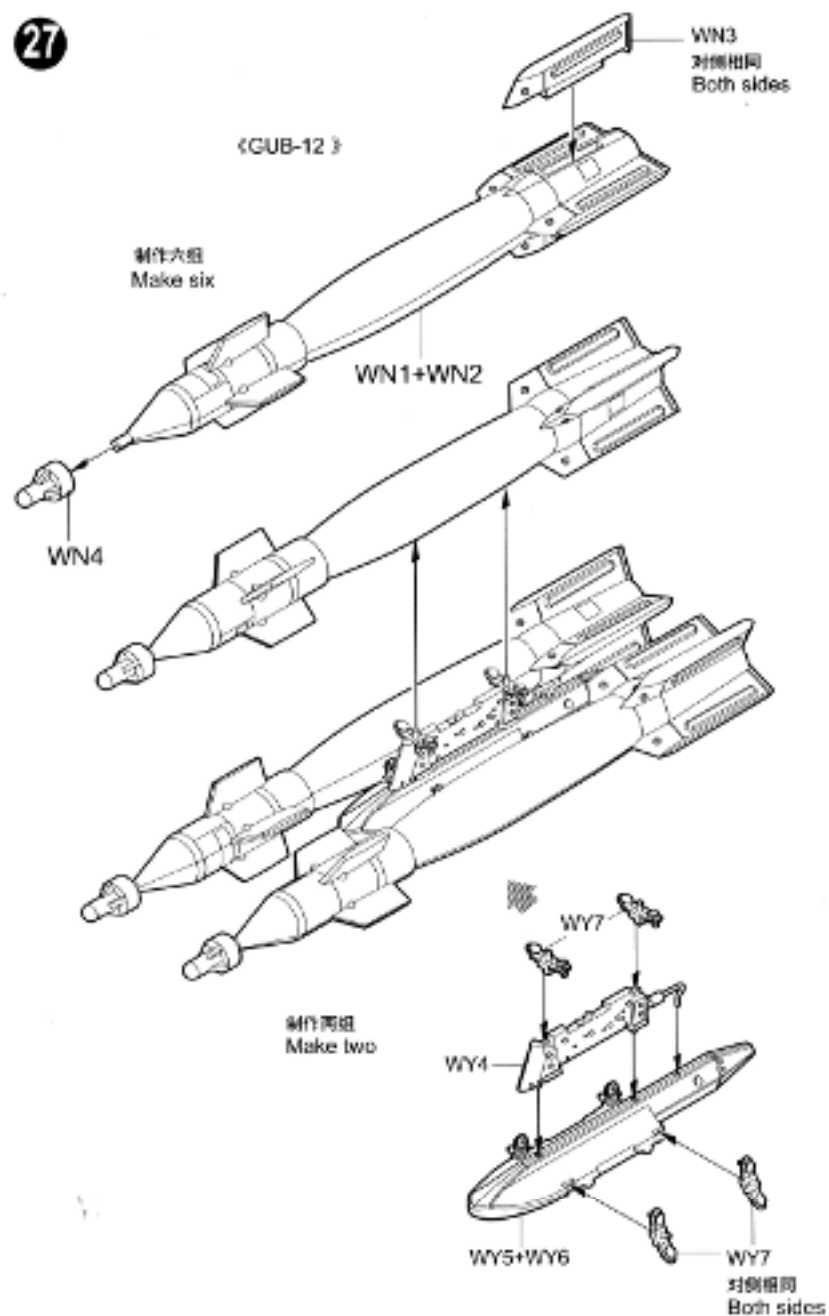
26

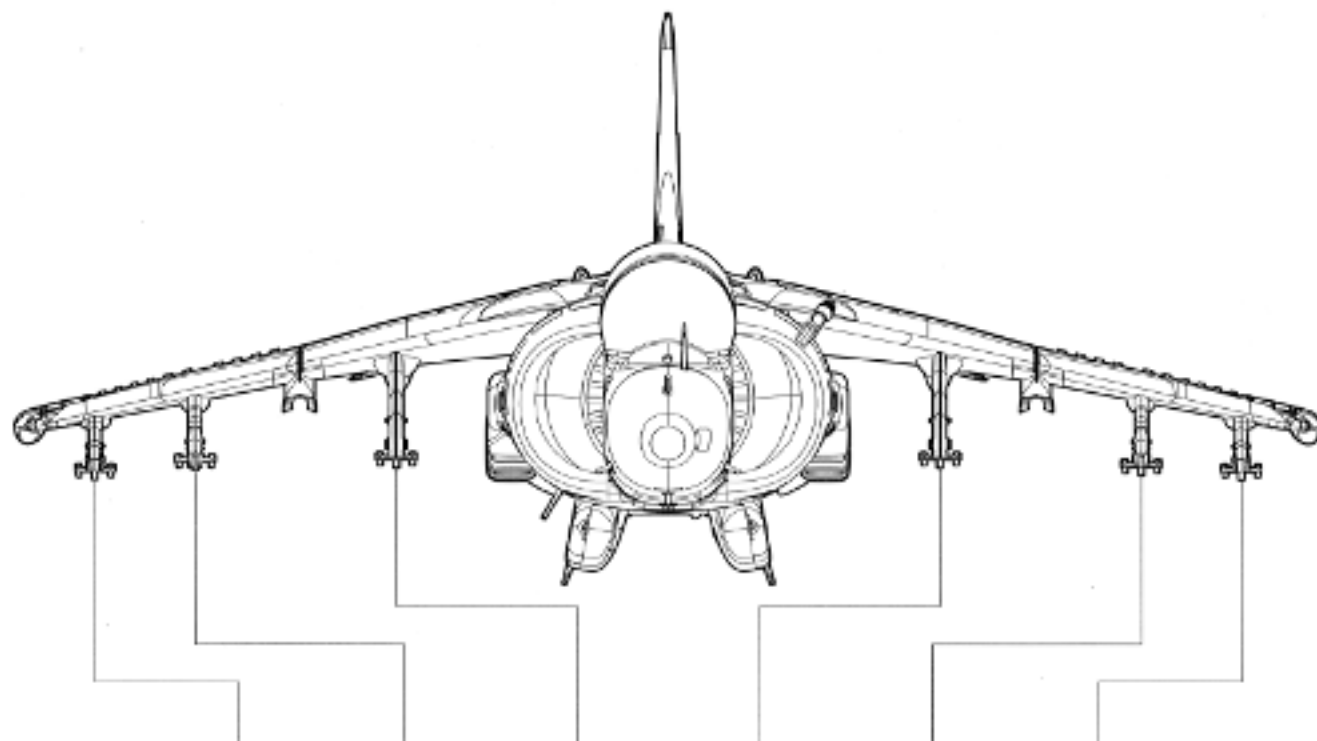
(MK-82-500LB)



27

(GUB-12)



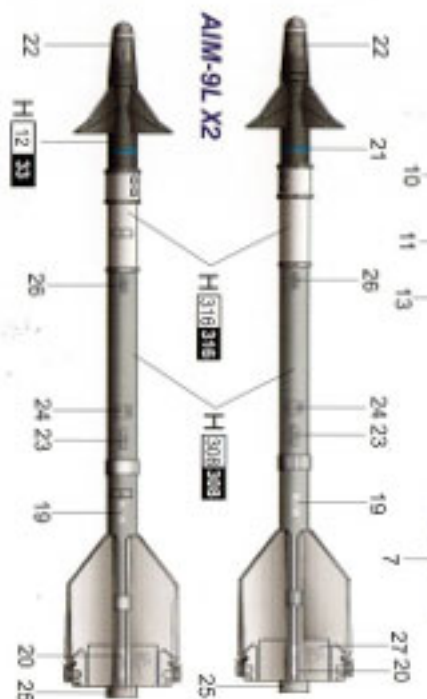
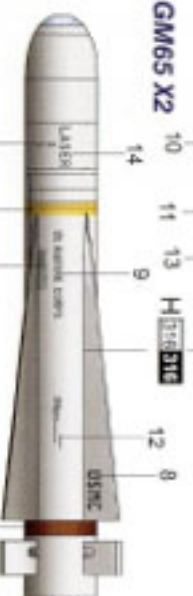
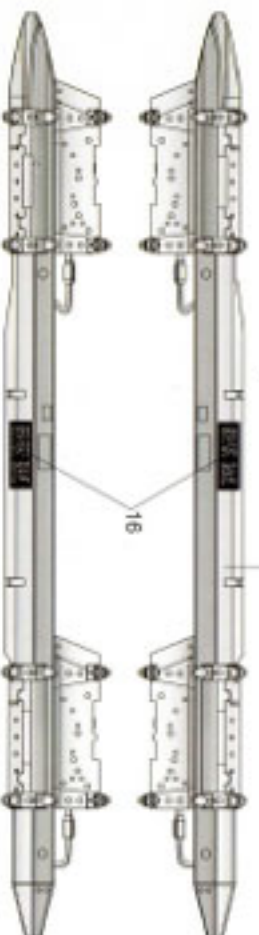
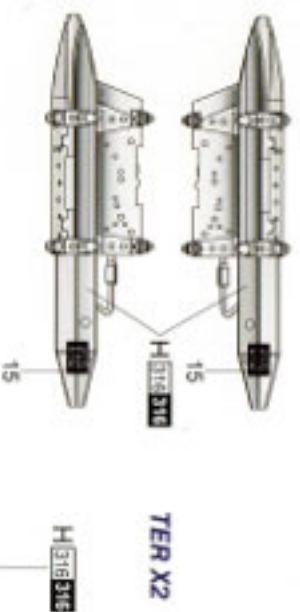


{Fuel Tank[L]}				●		
{Fuel Tank[R]}			●			
{MK-117 }		●	●	●	●	
{AGM-65}		●	●	●	●	
{AIM-9L }	●					●
{MK-82-SNAKEYE }		●	●	●	●	
{MK-82-500LB }		●	●	●	●	
{GUB-12 }		●			●	



# 涂装同标贴指示 Painting & Marking guide

PAINT REFERENCE COLOUR					
Color	Mr.Hobby	Valejo	Model Master	Tamiya	Humbrol
白底	H 310 319	991	1746	X2	22
木棕色	H 37 43	993	1701	-	106
橄榄绿	H 78 38	-	-	-	-
黑底	H 12 33	950	1748	XF1	33
灰底	H 505 398	990	1728	XF19	127



H 12 33  
H 37 43  
H 78 38

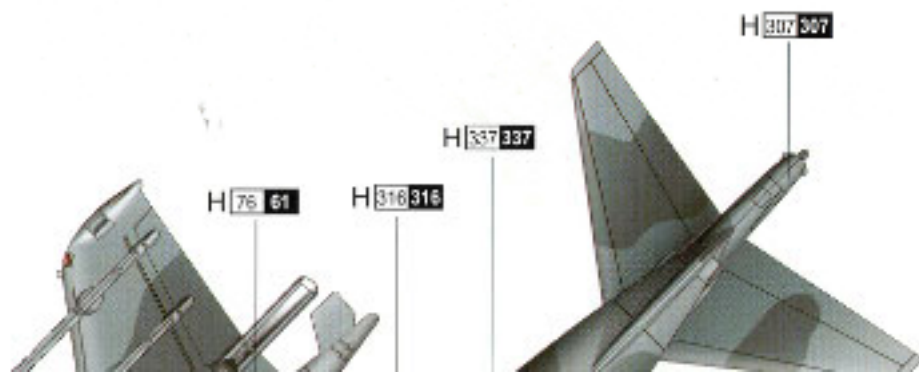
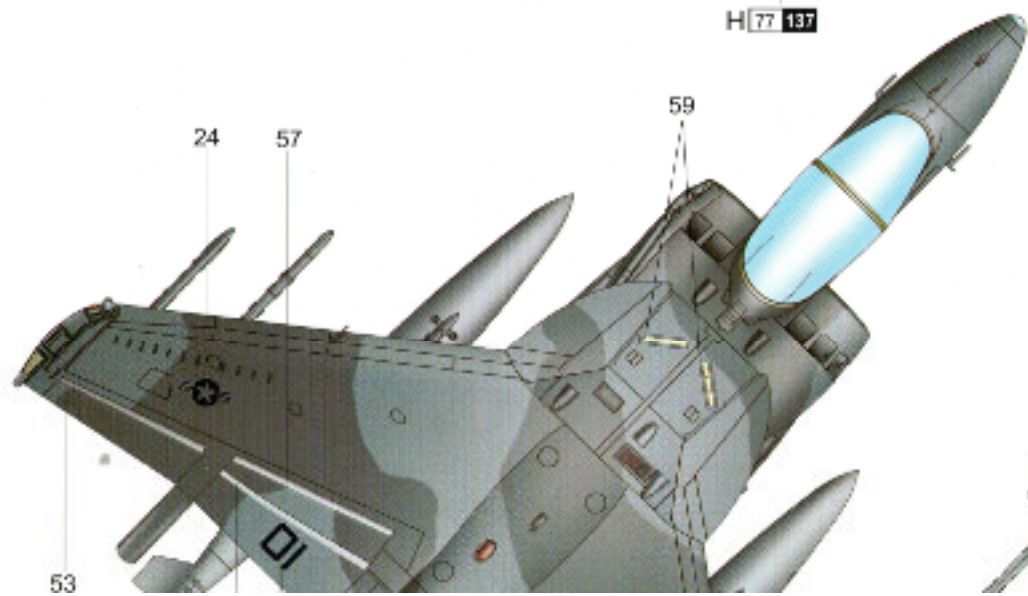
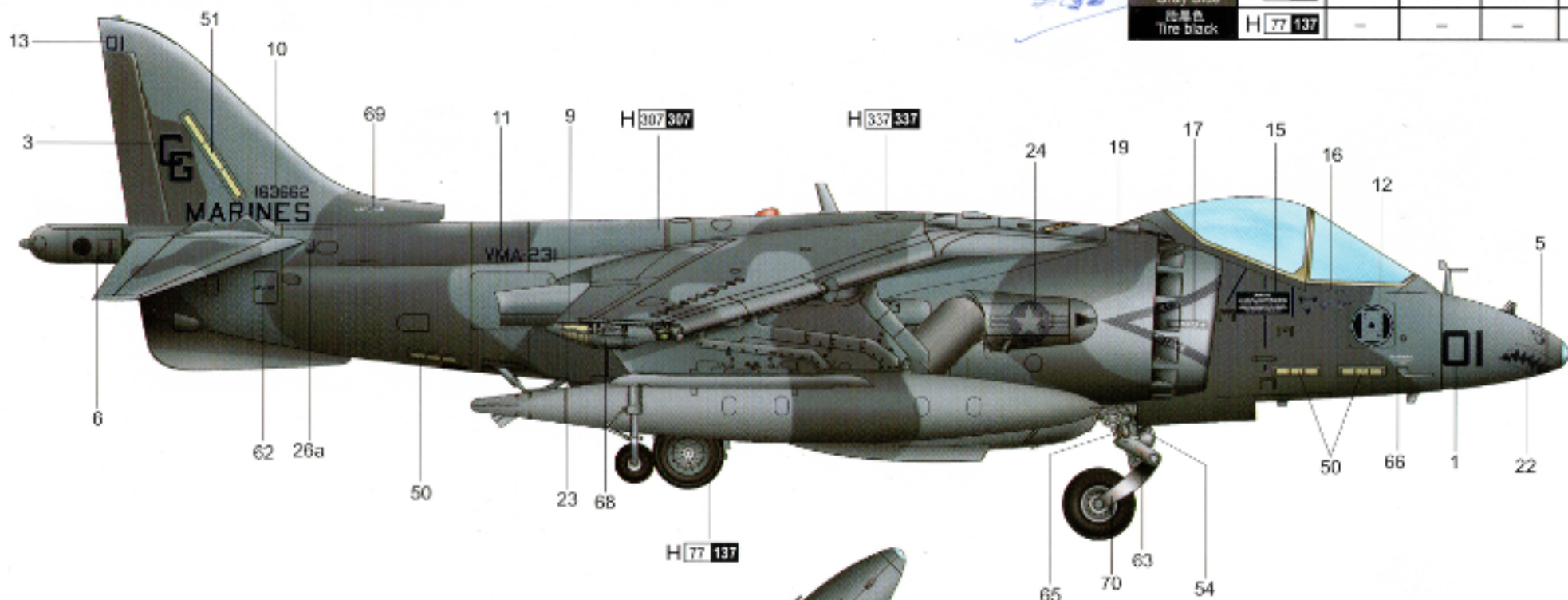
H 12 33 AQUEOUS HOBBY COLOR ■ MR. COLOR

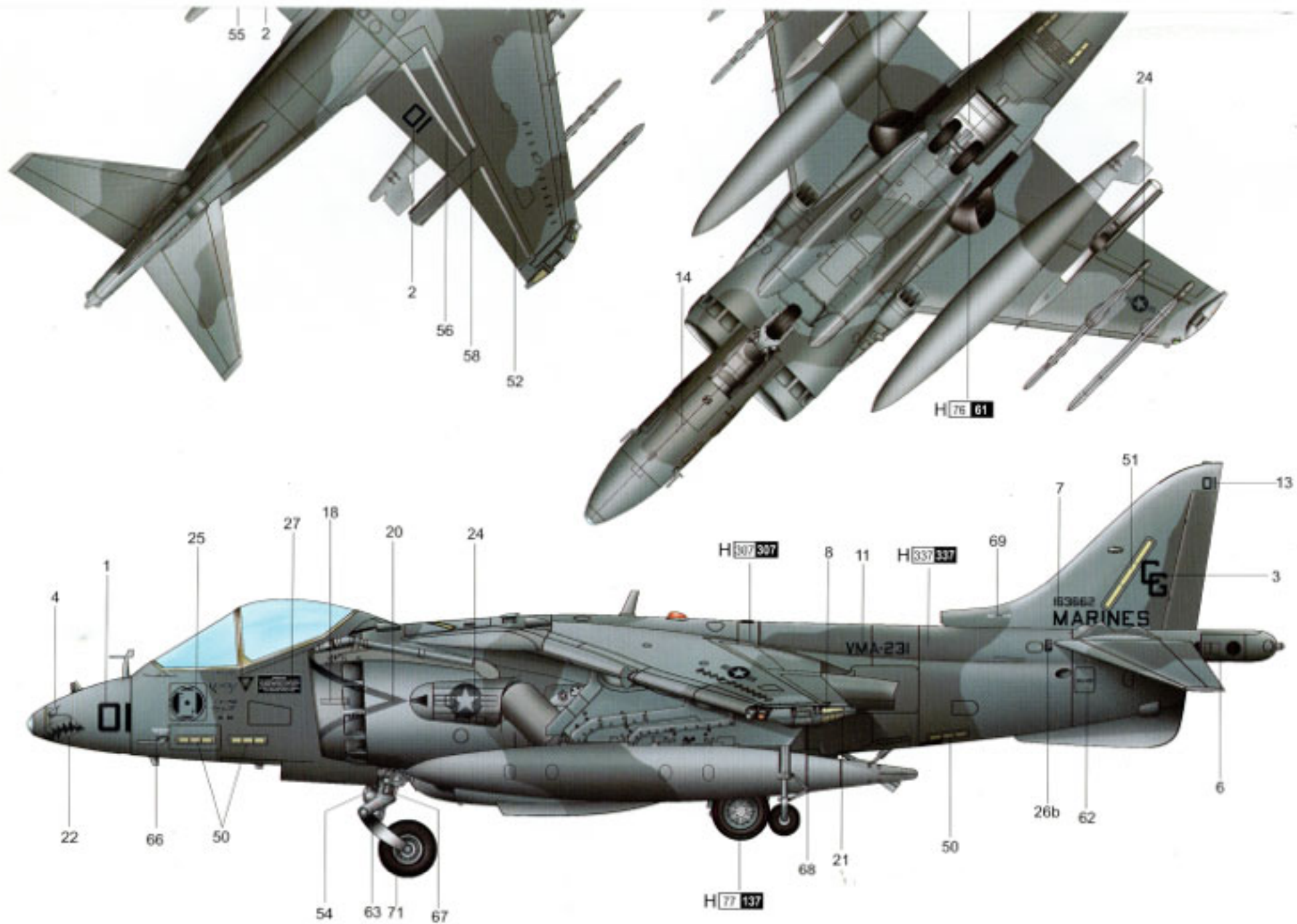
涂装同标贴指示  
Painting & Marking guide

**A** AV-8B Harrier II, 162972, 01/CG, VMA-231 'Ace of Spades', USMC

PAINT REFERENCE COLOUR

Color	Mr.Hobby	Vallejo	Model Master	Tamiya	Humbrol
白色 White insignia	H 316 316	991	1745	X2	22
烧蚀色 Burnt Iron	H 76 61	963	1795	X10	63
灰色 Grey	H 307 307	-	1741	XF22	128
海蓝色 Gray Blue	H 337 337	-	1721	XF20	145
黑色 Tire black	H 77 137	-	-	-	-





H **AQUEOUS HOBBY COLOR**

■ **Mr. COLOR**

02229 1/32 AV-8B Harrier II