

# MiG-21MF Fighter Bomber

eduard

1/72 Scale Plastic Model Kit

**ProfiPACK**  
edition



item No. 70142

The MiG-21 was the most-produced supersonic fighter in the world and served with more than fifty Air Forces over four continents. This tiny interceptor or fighter-bomber played remarkable role in many wars and local conflicts from sixties to eighties, allowing many pilots to achieve their ace combat status.

The MiG-21 was one of a long lists of Mikoyan-Gurevich bureau designs to be integrated into the armed forces of the Soviet Union, the Warsaw Pact, and allied countries. Its predecessors included such types as the MiG-15, MiG-17, and the supersonic MiG-19.

The roots of MiG-21 project reach back to the first half of the fifties. In 1954, when the preliminary design study Ye-1 came to its end and was quickly replaced by the reworked Ye-2 prototype. Both these prototypes sported a swept wing, while the first MiG design to feature the delta wing was the Ye-4 prototype. It took to the air for the first time on June 16, 1955 and was revealed to the world a year later at the Moscow airfield Tushino.

The new aircraft with the MiG-21 designation was the first really successful Soviet design integrating fighter and interceptor characteristics in one aircraft. It was also quite light for Mach 2 aircraft, although the long-lasting development was adding weight gradually. The design featured sleek fuselage with the front air intake and shock cone. This feature later limited future development due to the very small space available for the radar installation.

#### Cold War warrior

The first of the new line to enter production was the MiG-21F, which together with the MiG-21P and MiG-21F-13 represented the first generation of this line. These versions were in production through the end of the fifties and the beginning of the sixties. Subsequent versions included the PF, FL, PFM and R with production of these peaking at the end of the sixties. The third generation started production in 1968 and included the most advanced versions of MiG-21 like the M, SM, MF, SMT or bis among others. Simultaneously, two-seat training versions were also produced designated MiG-21U, UM and US.

The new aircraft came off Soviet production lines in Moscow, Gorky and Tbilisi, the MiG-21F-13 was also built under license in Czechoslovakia and the MiG-21FL, M and bis in India by Hindustan Aeronautics Ltd. The Soviet Union produced 10,645 examples of all versions, 194 were built in Czechoslovakia and 657 in India. That counts for 11,496 aircraft produced. Production of the MiG-21 ceased in 1985.

Over the course of the Cold War, the opponents of the MiG-21 included the likes of the Northrop F-5 Freedom Fighter, the Dassault Mirage III or F-4 Phantom II. NATO assigned it the reporting name "Fishbed", while the Soviet pilots called it "Balalaika" due to the shape resemblance of the popular Russian musical instrument. Also other nations had their unofficial names for MiG-21. For example, the Vietnam pilots and ground personnel called them En Bac, which means Silver Swallow.

#### Aces from Asia, Middle East or Africa

Outside of the Soviet Union, the type flew with a long list of nations on four continents (Europe, Asia, Africa and South America) and participated in many conflicts and wars. The most remarkable combat use includes the Vietnam war, the Indo-Pakistan wars, the Cuban participation in Angola and in the Arab world's attempts to eliminate Israel. It is no wonder there were many pilots achieving their ace status flying one or more variants of MiG-21.

Thanks to the high volume of use and intensive combat actions, the Vietnamese pilots are topping the list of aces of MiG-21. The top of the ladder is occupied by Nguyen Van Coc with nine kills followed by three eight-victory aces Mai Van Cuong, Nguyen Hong Nhi and Pham Thanh Ngan. From the other nations the Syrian pilots Bassam Hamshun and Majid Zugbi both achieved seven kills flying MiG-21MF, while Adeb Al-Jarf had the same score with MiG-21FL and Egyptian pilots Ali Vajai, Sami Marei or Sami Aziz Mikhail scored five times with various MiG-21s.

In the interceptor role the MiG-21 served with the Soviet Union and other nations of the Warsaw Pact into the eighties when it began to be replaced by the MiG-23 in seventies and MiG-29 Fulcrum during eighties and nineties.

#### This kit: The Fighter Bomber MiG-21MF

This plastic model kit represents the MiG-21MF that was built in the Moscow factory between 1969 and 1974 (around 1300 units were produced there) and represented the most common variant of this sub-type. Later production airframes built at Gorky (between 1975 and 1976), differed in many details from the Moscow-built aircraft.

Most of the exported aircraft originated from the Moscow production facility. At first, these left the factory in natural metal finish, from 1973 in camouflage schemes specific to the client's instructions. The MiG-21SM was at first sight virtually identical to the MiG-21MF, differing only in the more advanced RP-22 radar unit. This version was used exclusively by the Soviet Union and had never been cleared for export.

MiG-21MFs were powered by Tumanskij R-13-300 turbojet engine with additional combustion chamber and carried an RP-21 radar. The armament consisted of a twin-barreled GSch-23-2L 23mm autocannon with 200 rounds of ammunition. The racks carried a combination of 1,100lb (500 kg) FAB bombs, UB-16-57U launchers and R-3S rockets, Ch-66 air-to-ground guided missiles, S-24 air-to-ground unguided rockets, R-60 air-to-air missiles and its infrared homing variant R-60M. The NATO code for MiG-21MFs was the "Fishbed-J".



Carefully read instruction sheet before assembling. When you use glue or paint, do not use near open flame and use in well ventilated room. Keep out of reach of small children. Children must not be allowed to suck any part, or pull vinyl bag over the head.



Před započítím stavby si pečlivě prostudujte stavební návod. Při používání barev a lepidel pracujte v dobře větrané místnosti. Lepidla ani barvy nepoužívejte v blízkosti otevřeného ohně. Model není určen malým dětem, mohlo by dojít k požití drobných dílů.

## INSTRUCTION SIGNS \* INSTR. SYMBOLY \* INSTRUKTION SINNBILDEN \* SYMBOLES \* 記号の説明



OPTIONAL  
VOLBA



BEND  
OHNOU



SAND  
BROUSIT



OPEN HOLE  
VYVRTAT OTVOR



SYMMETRICAL ASSEMBLY  
SYMETRICKÁ MONTÁŽ



REMOVE  
ODRÍZNOUT



REVERSE SIDE  
OTOČIT



APPLY EDUARD MASK  
AND PAINT  
POUŽIT EDUARD MASK  
NABARVIT

## PARTS



## DÍLY



## TEILE



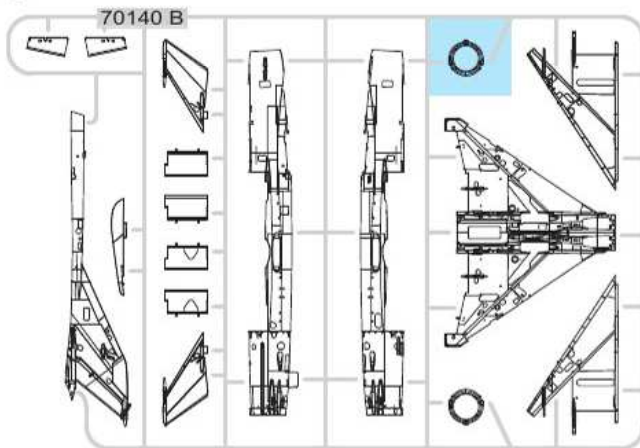
## PIÈCES



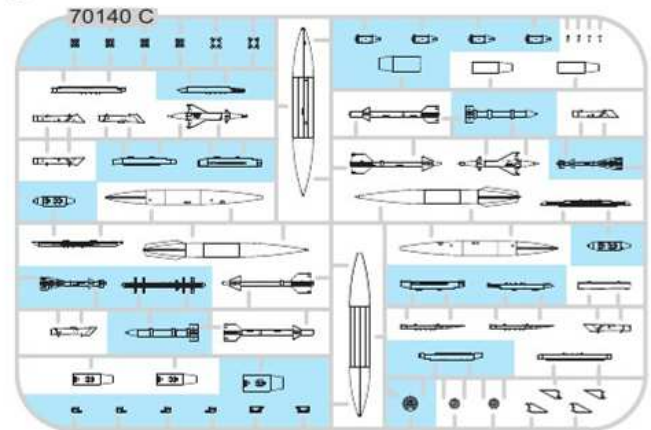
## 部品

## PLASTIC PARTS

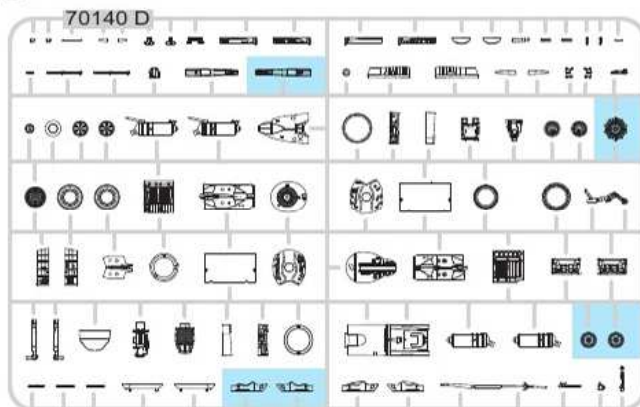
B&gt;



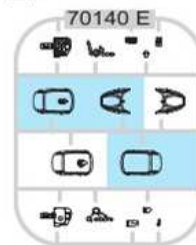
C&gt;



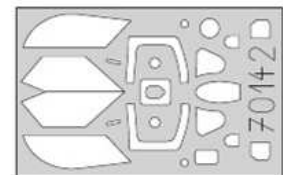
D&gt;



E&gt;

PE - PHOTO ETCHED  
DETAIL PARTS

eduard  
MASK



-Parts not for use. -Teile werden nicht verwendet. -Pièces à ne pas utiliser. -Tyto díly nepoužívejte při stavbě. - 使用しない部品

## COLOURS



## BARVY



## FARBEN



## PEINTURE

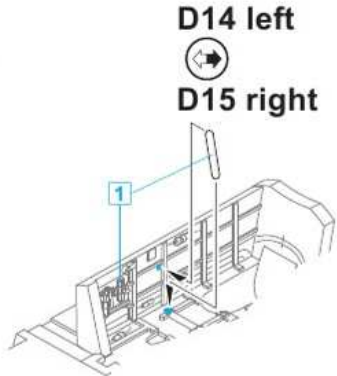
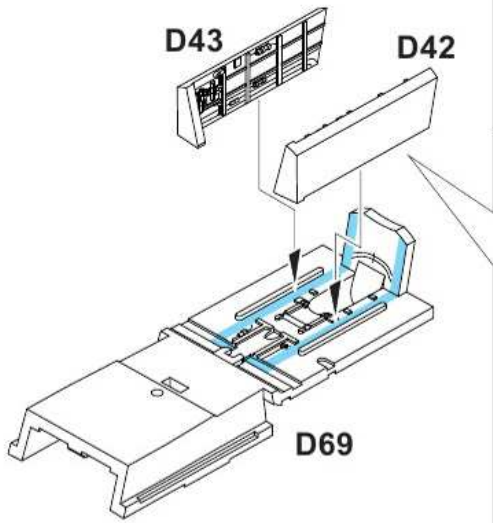
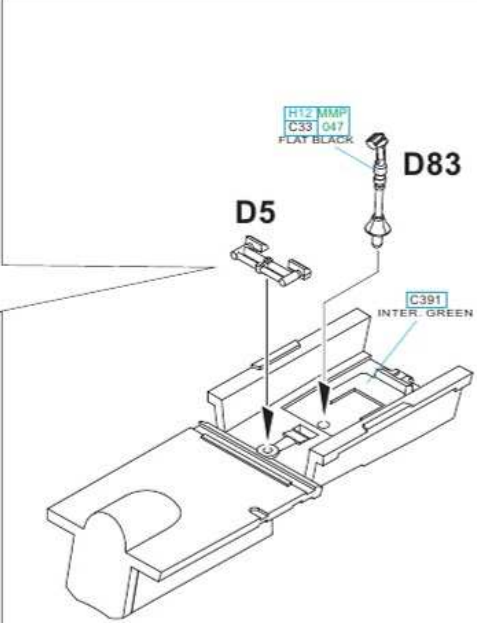
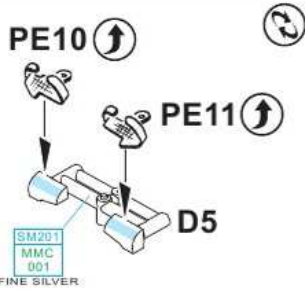


## 色

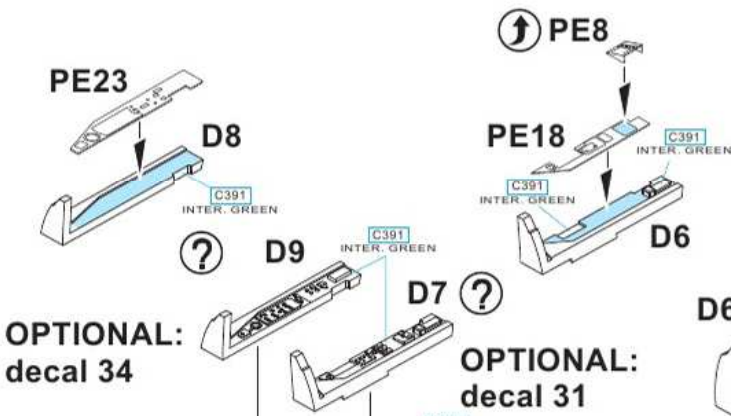
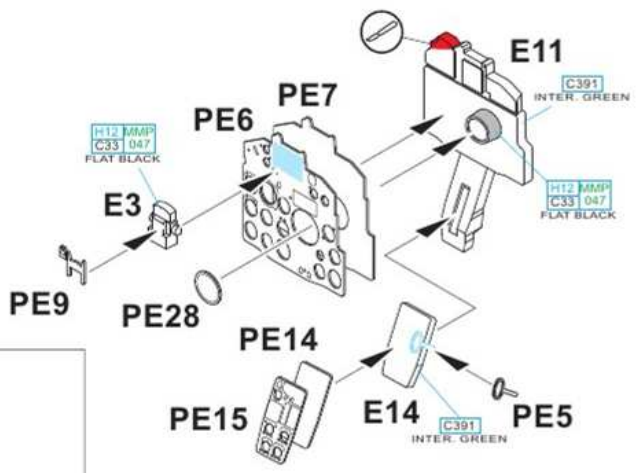
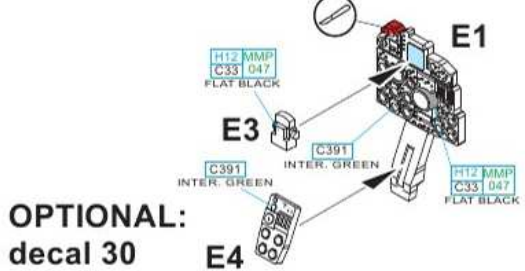
GSI Creos (GUNZE)		MISSION MODELS	
AQUEOUS	Mr.COLOR	PAINTS	
H1	C1	MMP-001	WHITE
H3	C3	MMP-003	RED
H4	C4	MMP-007	YELLOW
H5	C5	MMP-048	BLUE
H6	C6	MMP-004	GREEN
H11	C82	MMP-005	FLAT WHITE
H12	C33	MMP-047	FLAT BLACK
H20	C66		BRIGHT GREEN
H27	C44		TAN
H47	C41	MMP-012	RED BROWN
H51	C11	MMP-063	LIGHT GULL GRAY
H53	C13		NEUTRAL GRAY
H67	C115	MMP-057	RLM65 LIGHT BLUE
H71	C21	MMP-076	MIDDLE STONE
H77	C137	MMP-040	TIRE BLACK
H84	C42		MAHOGANY

GSI Creos (GUNZE)		MISSION MODELS	
AQUEOUS	Mr.COLOR	PAINTS	
H150	C47		CLEAR RED
H164	C138		CLEAR GREEN
H302	C302		GREEN
H303	C303	MMP-068	GREEN
H305	C305	MMP-084	GRAY
H306	C306	MMP-118	MEDIUM GRAY
H306	C306	MMP-073	GRAY
H332	C332		LIGHT AIRCRAFT GRAY
	C391		INTERIOR GREEN
Mr.METAL COLOR		METALLICS	
MC213		MMM-006	STEEL
MC214		MMM-001	DARK IRON
MC218		MMM-003	ALUMINIUM
Mr.COLOR SUPER METALLIC		METALLICS	
SM201		MMC-001	SUPER FINE SILVER

- 1** =
- H51 MMP C11 063** - MARKINGS **A:B:C**  
LIGHT GULL GRAY
  - H11 MMP C62 001** - MARKING **D**  
FLAT WHITE
  - H70 MMP C60 058** - MARKING **E**  
GRAY

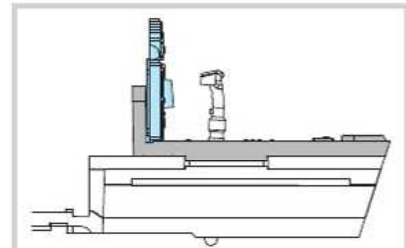
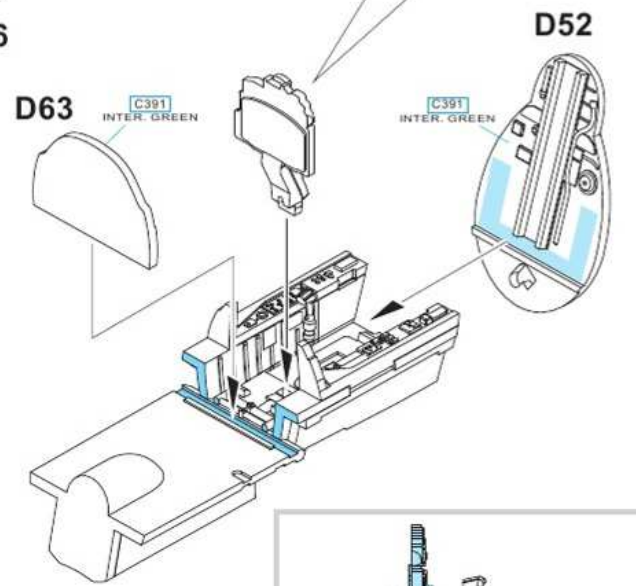
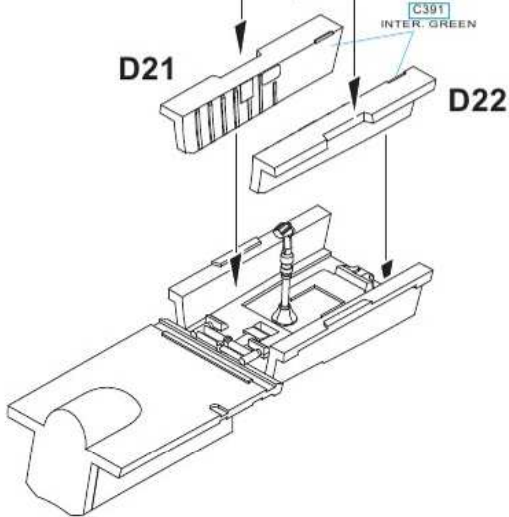


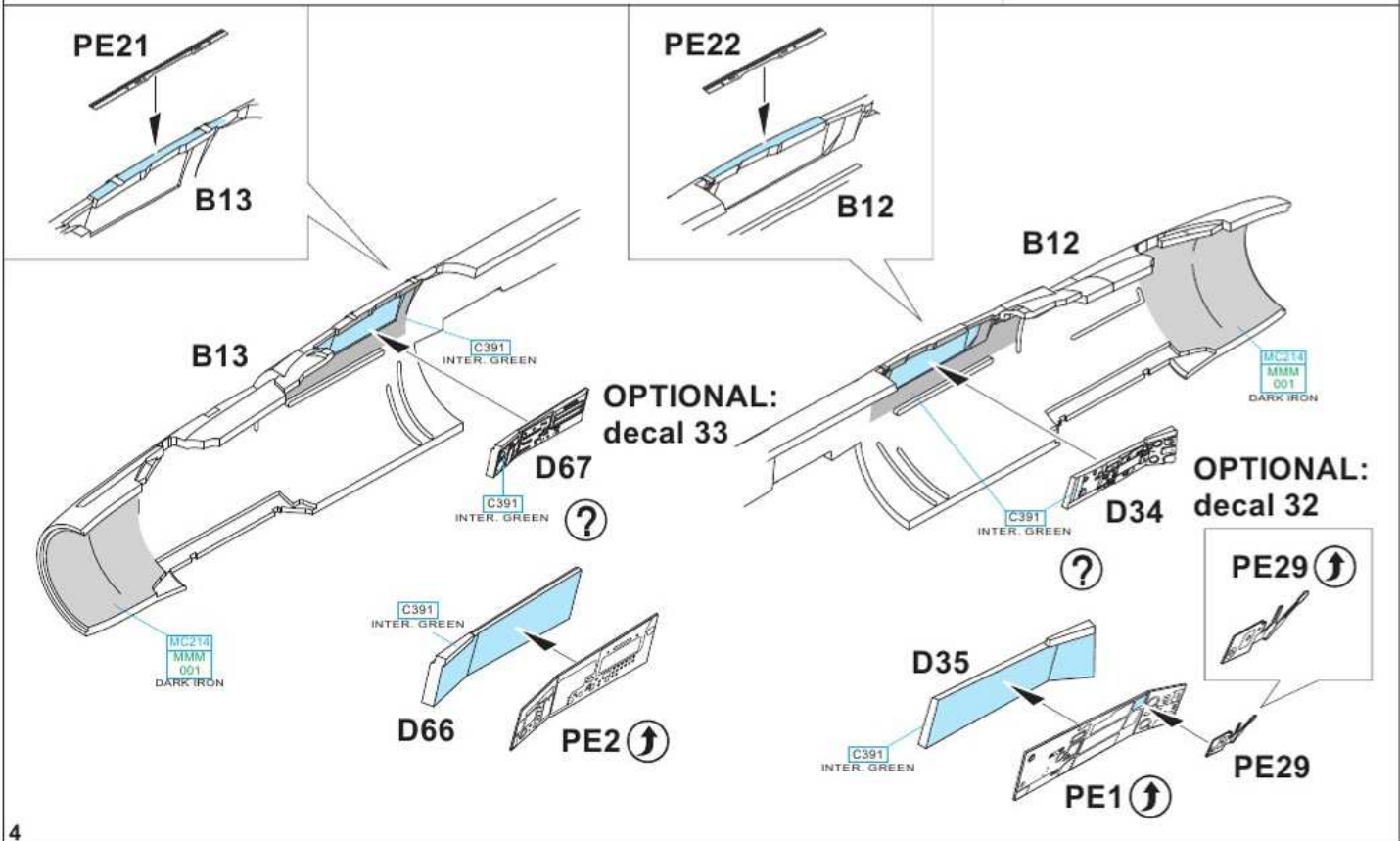
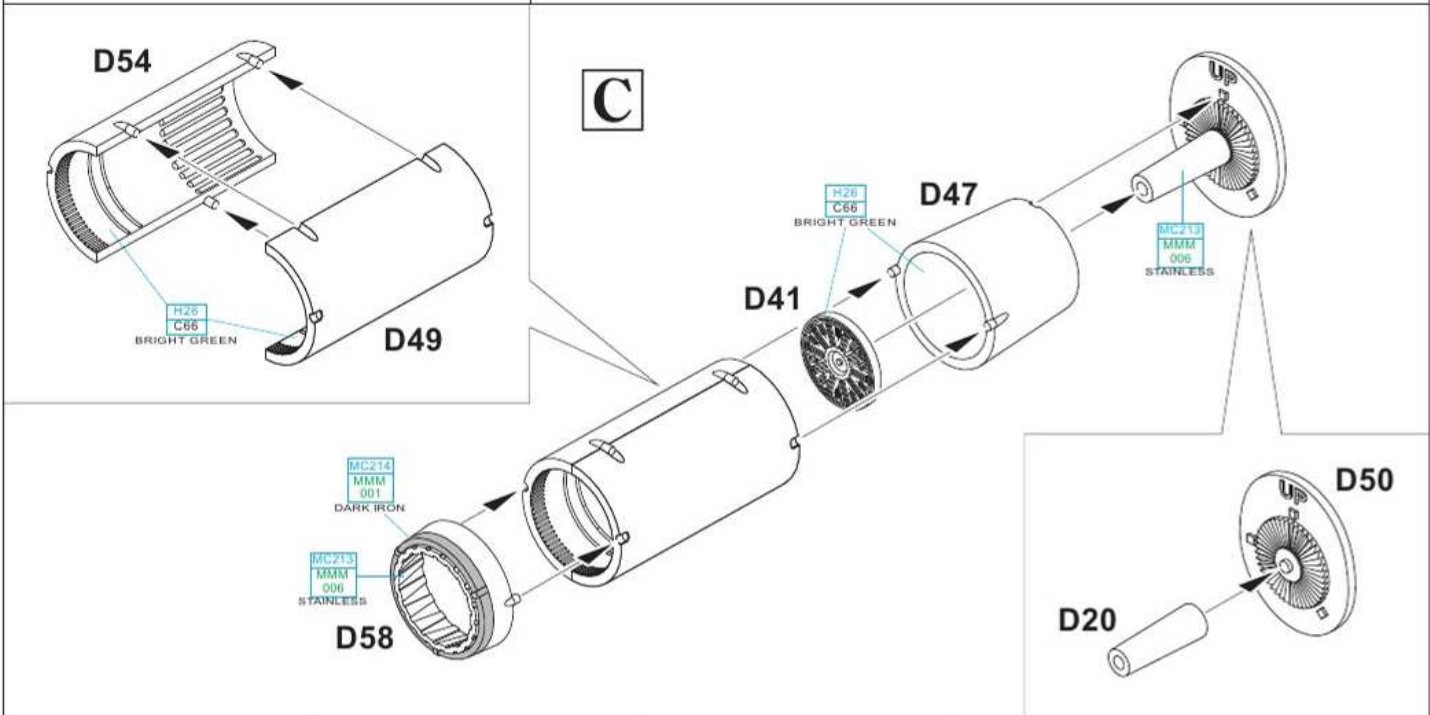
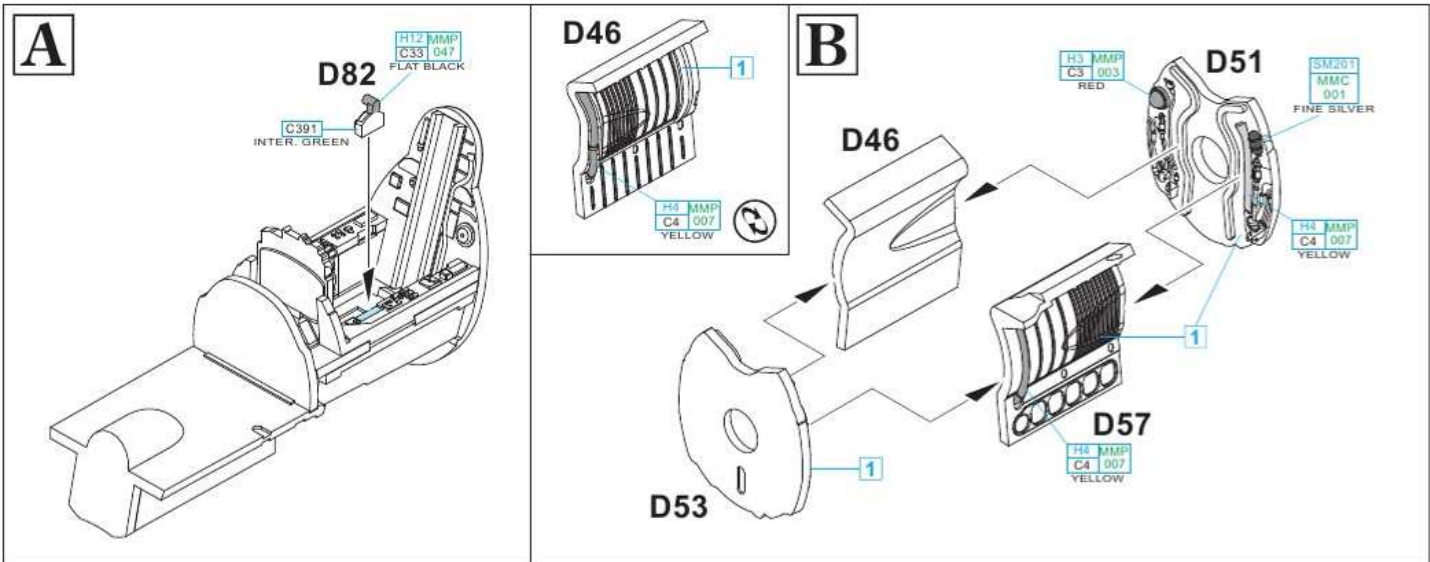
**OPTIONAL: decal 36**

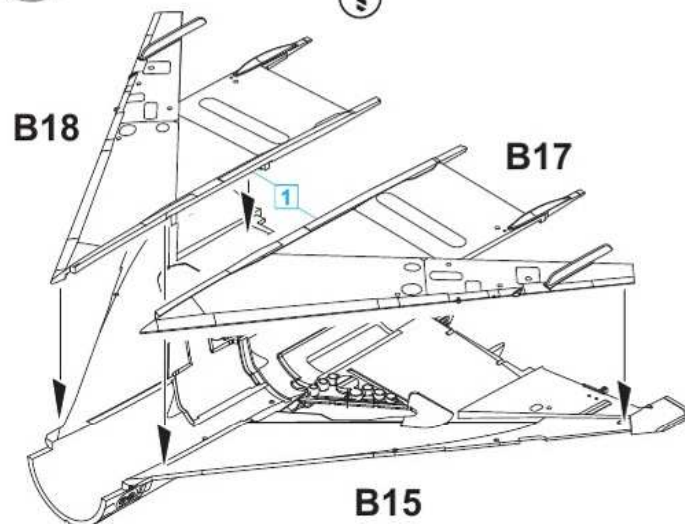
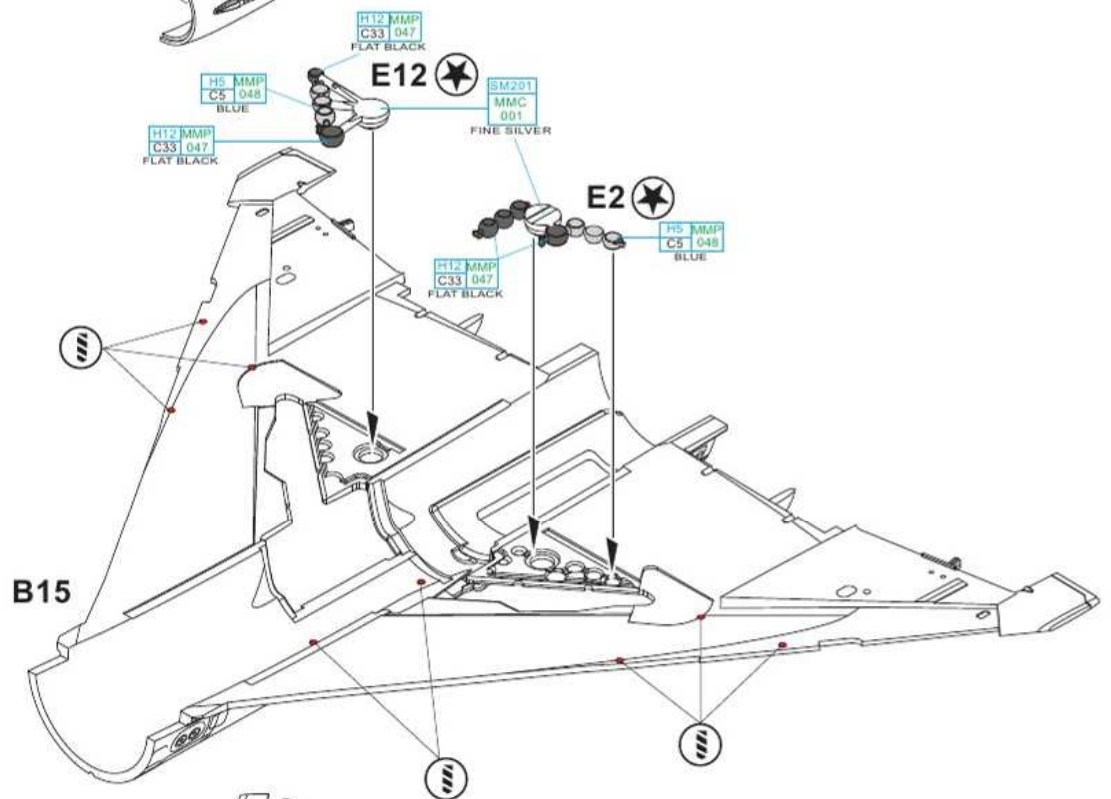
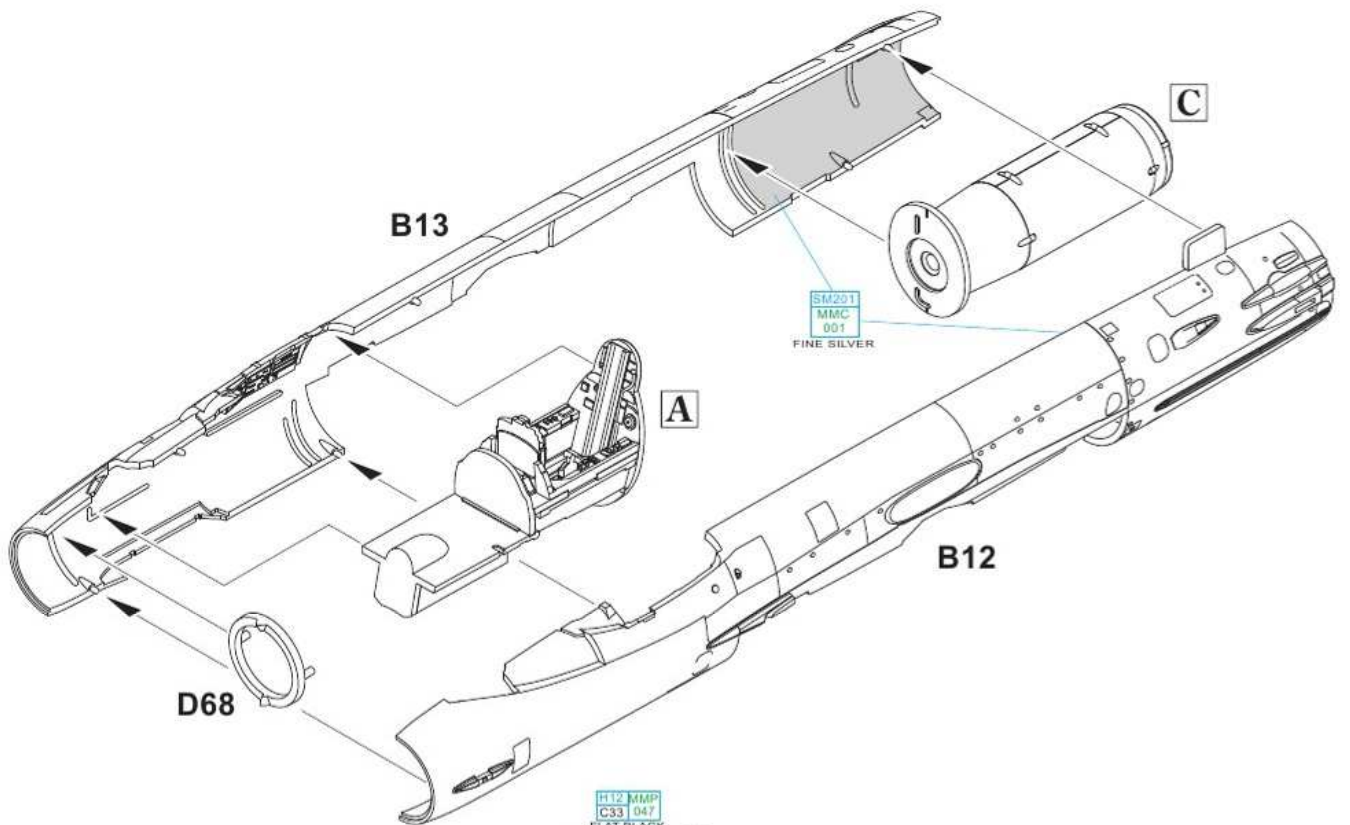


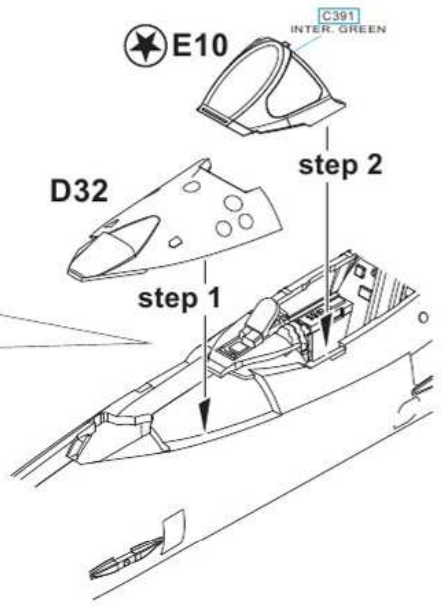
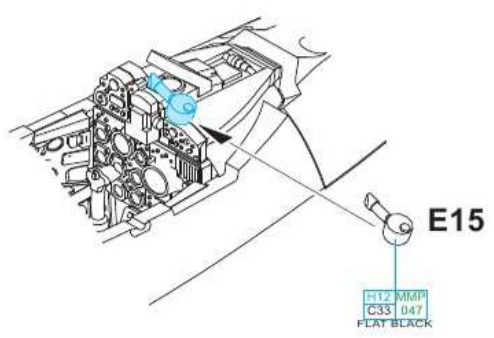
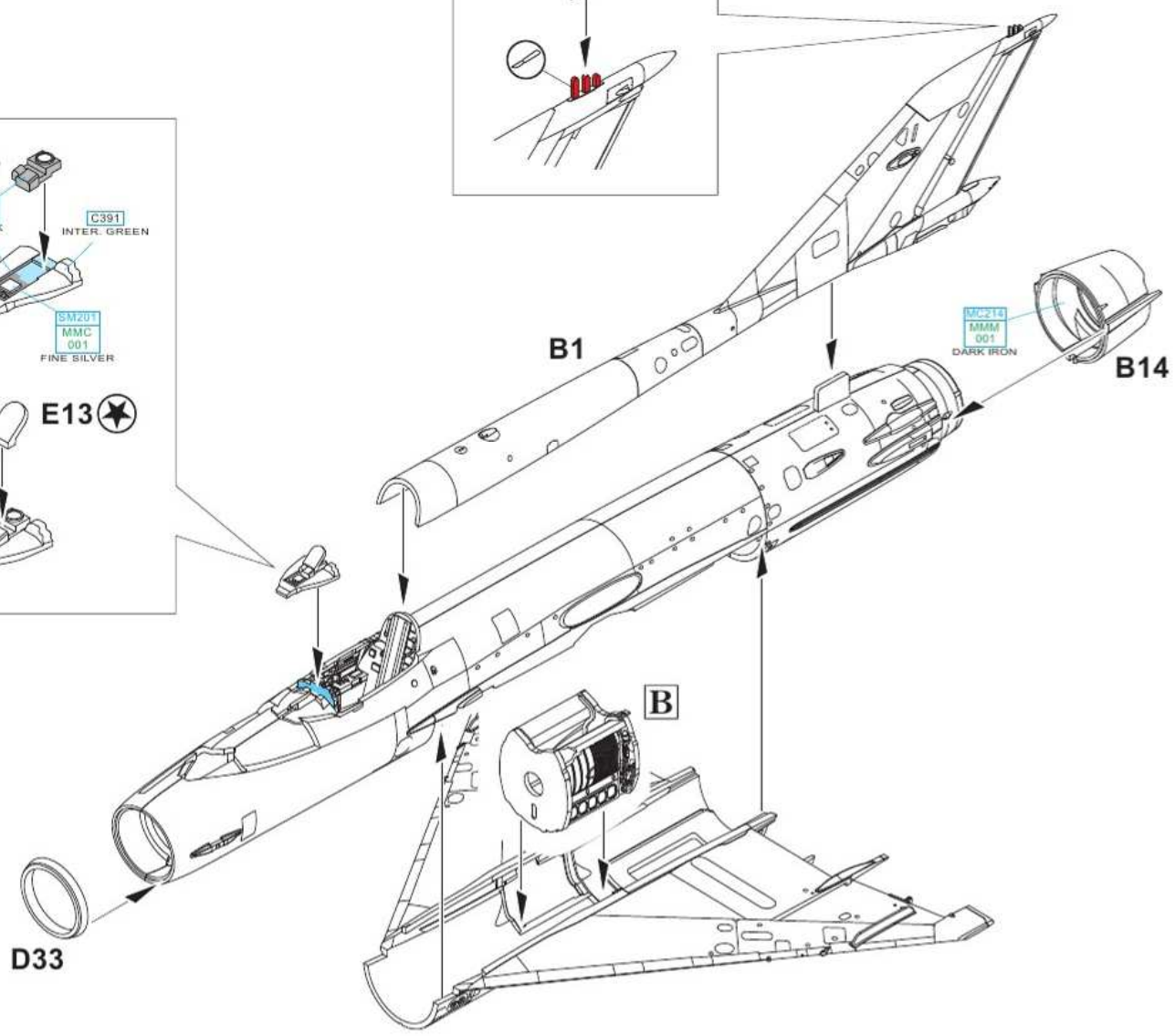
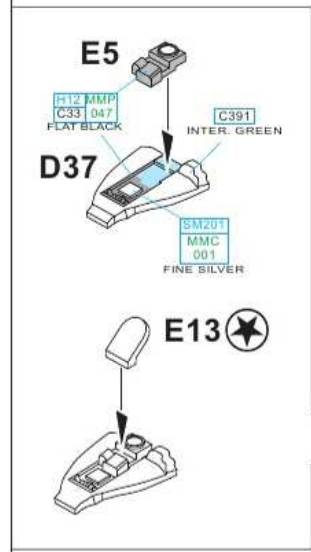
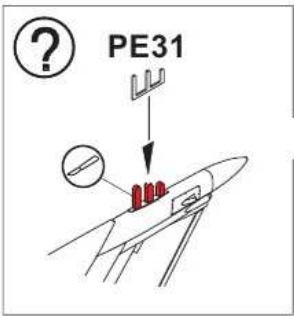
**OPTIONAL: decal 34**

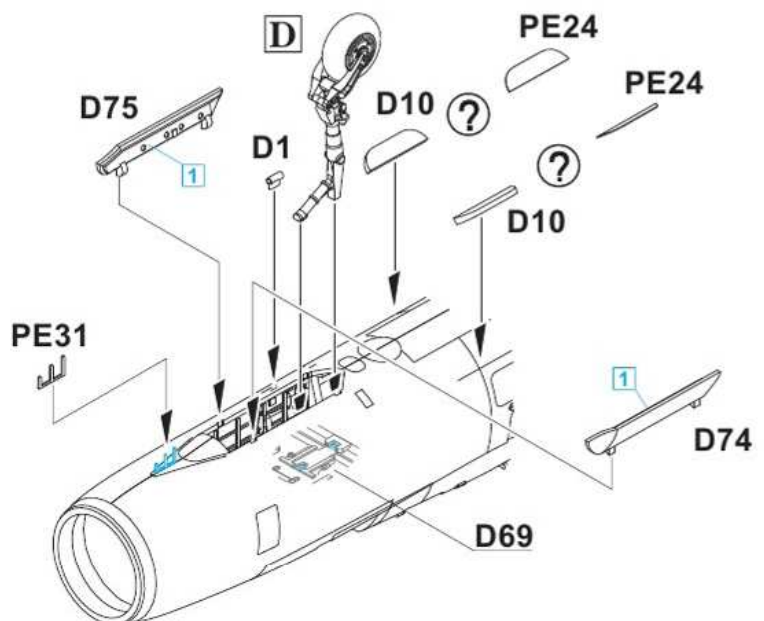
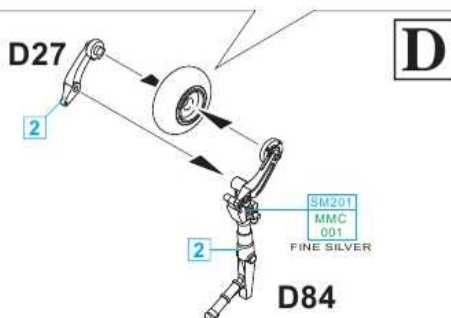
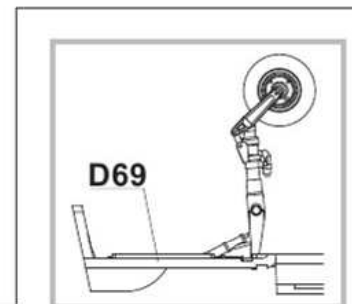
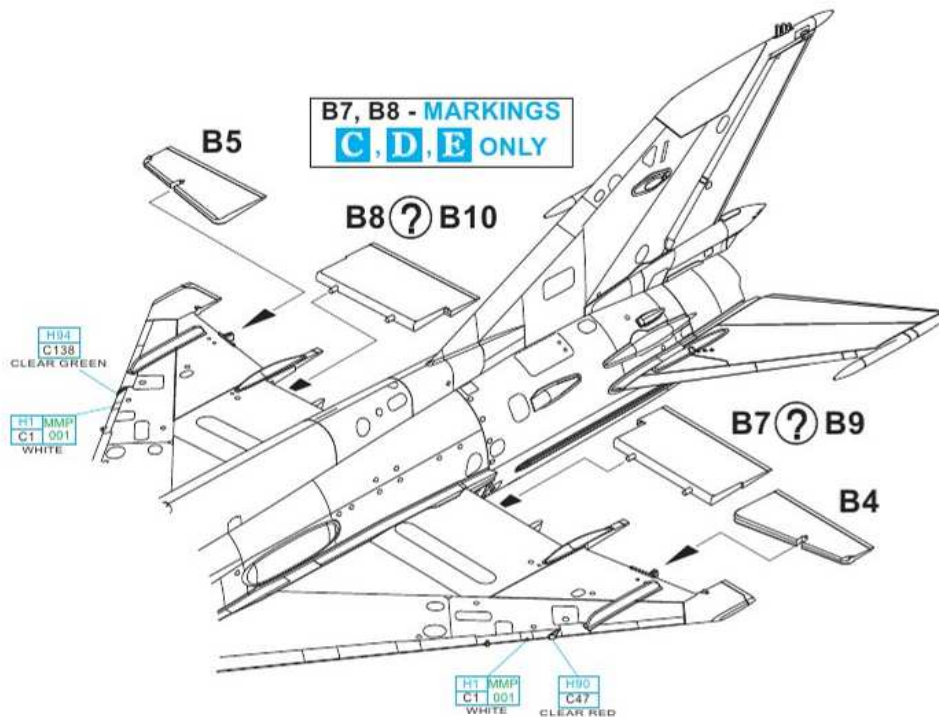
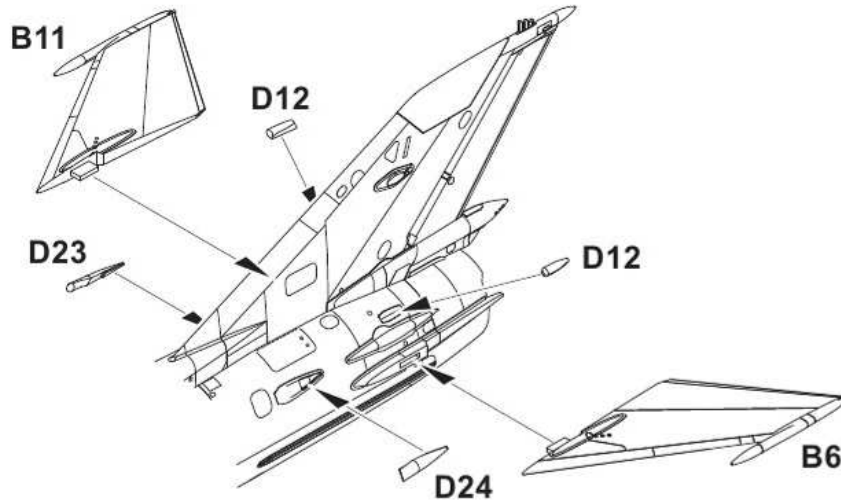
**OPTIONAL: decal 31**

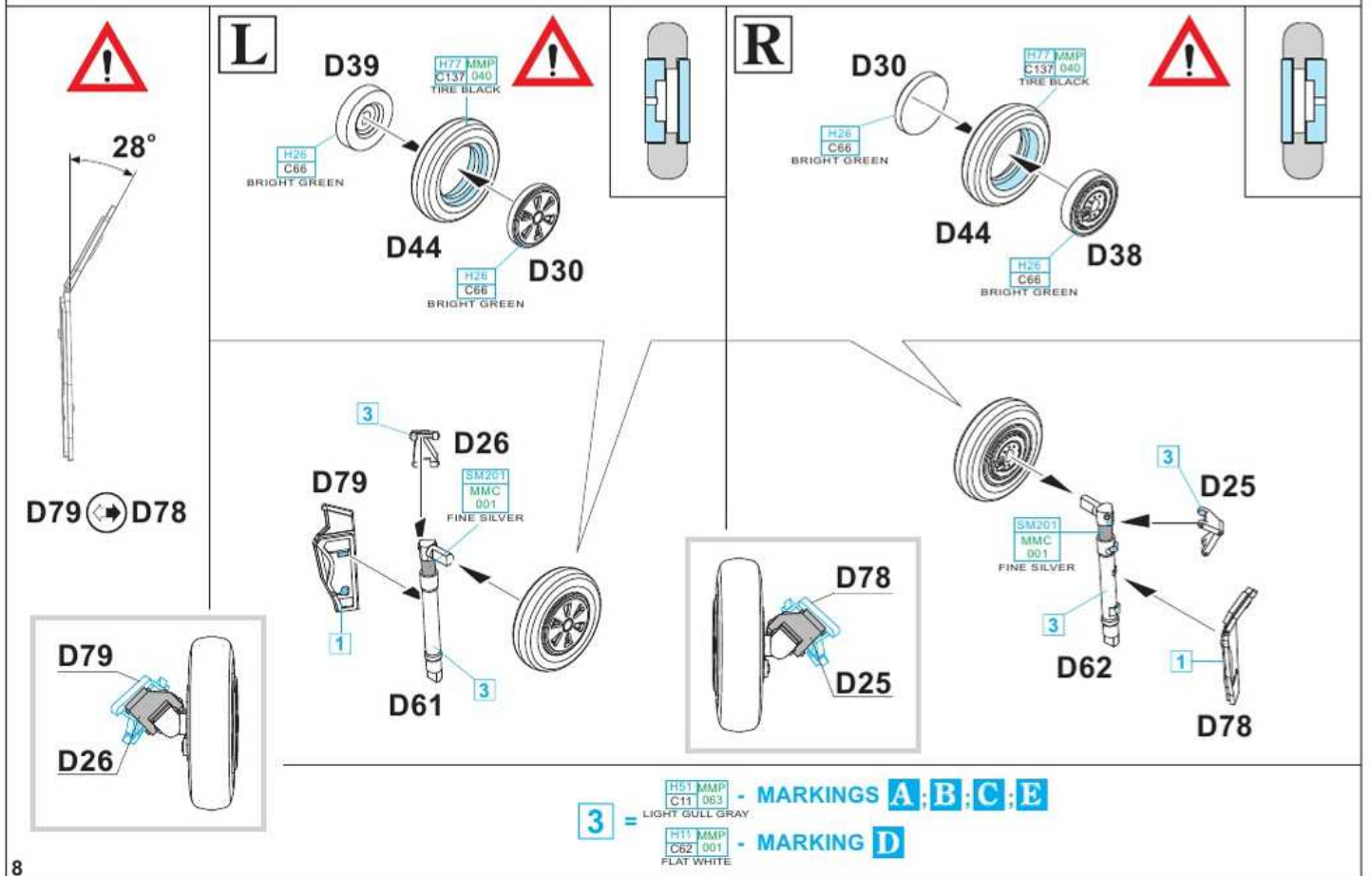
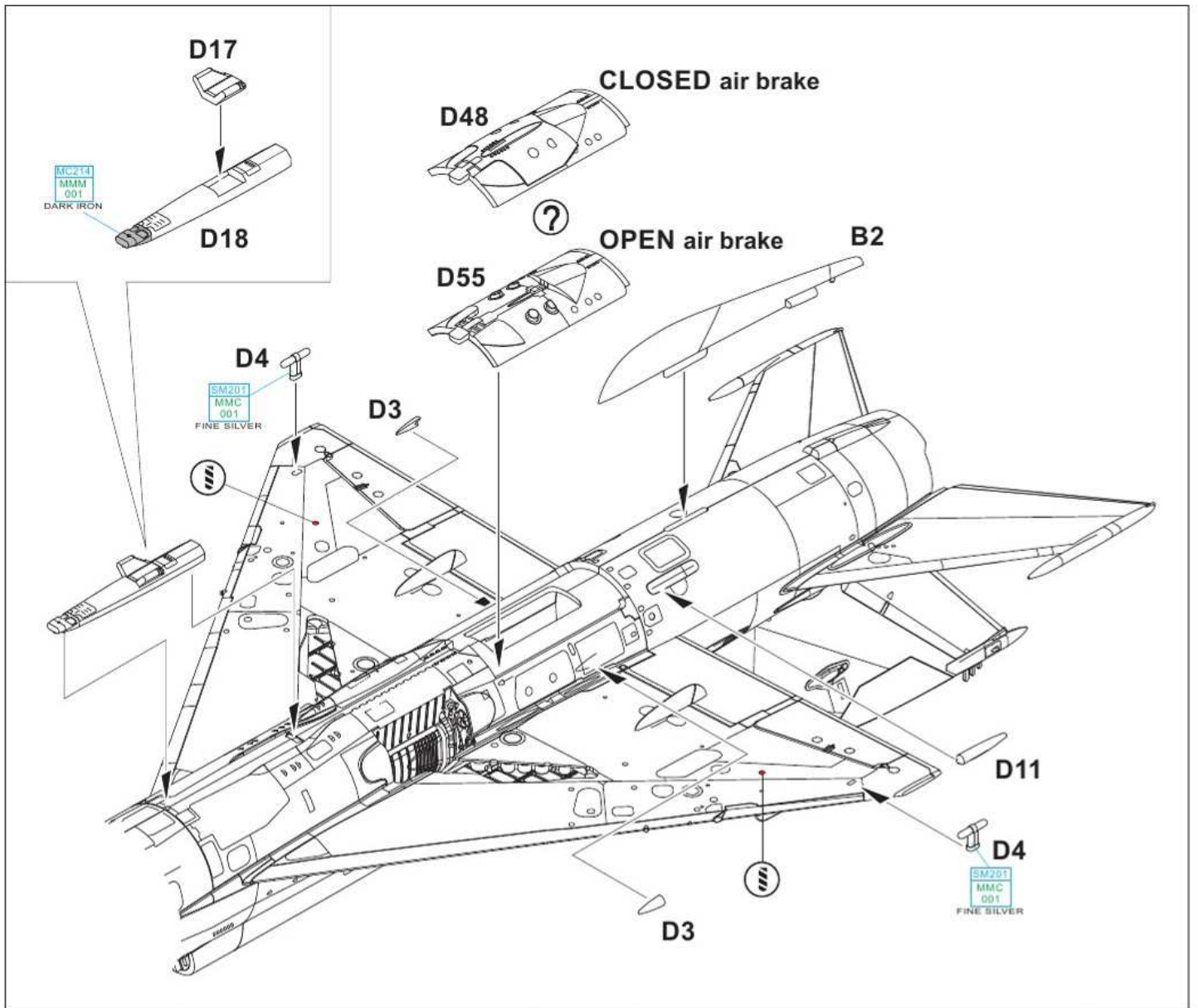




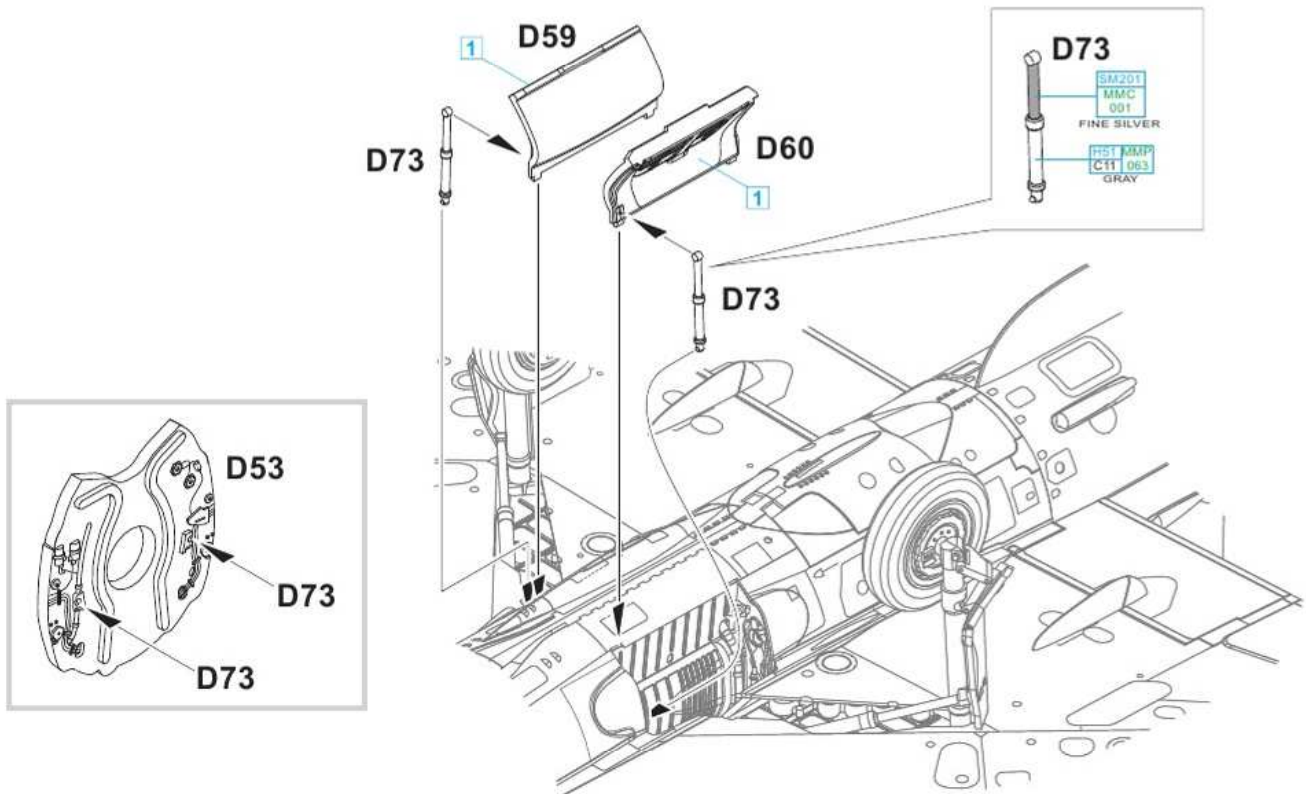
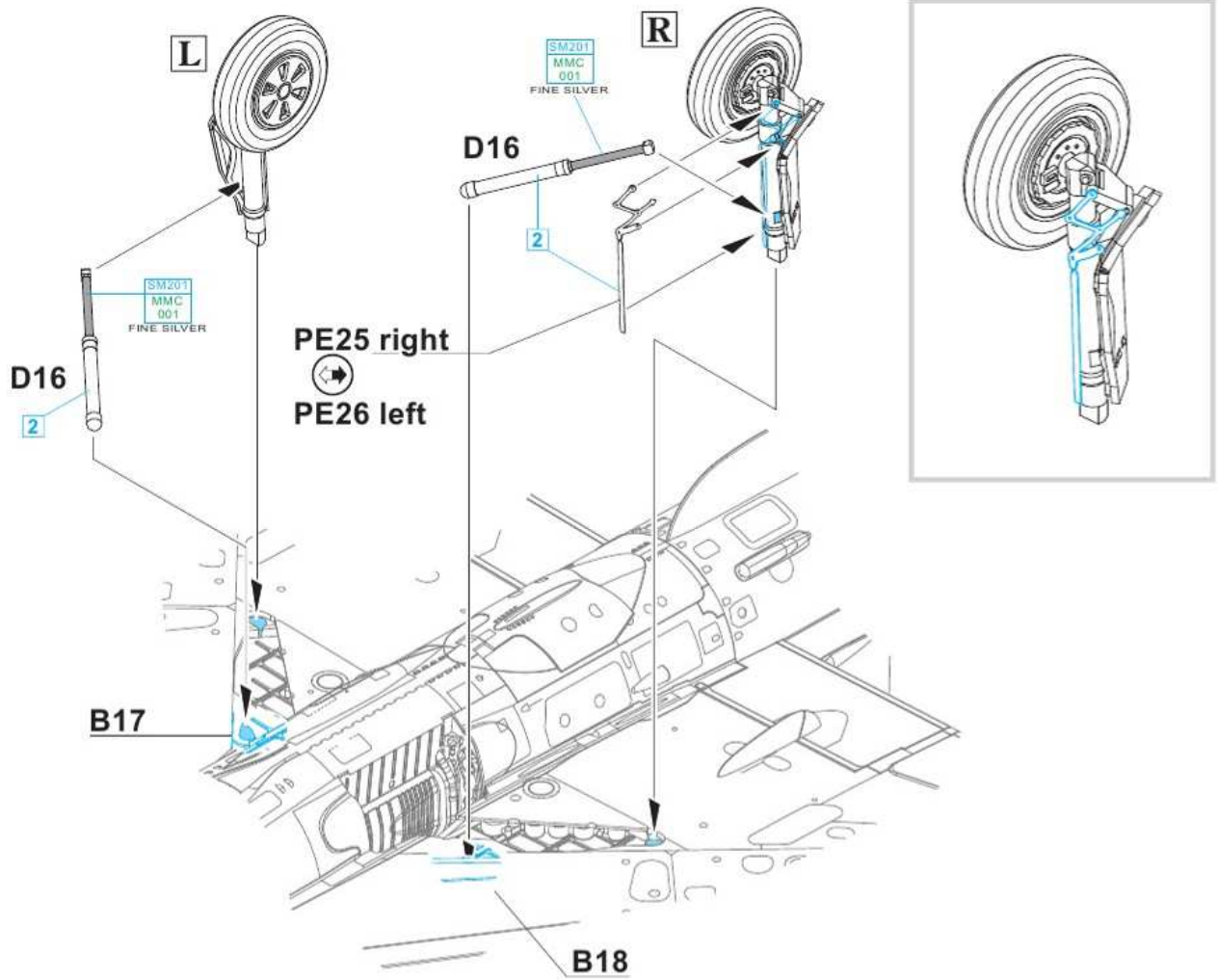




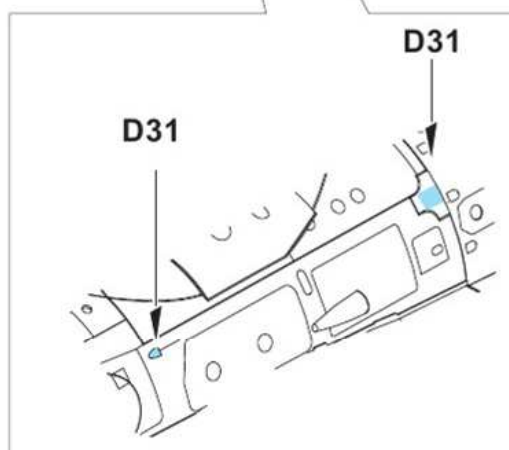
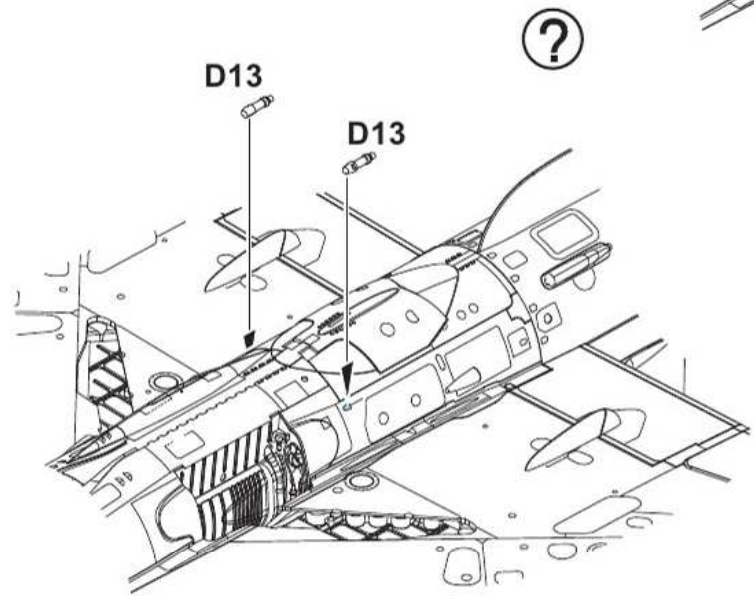
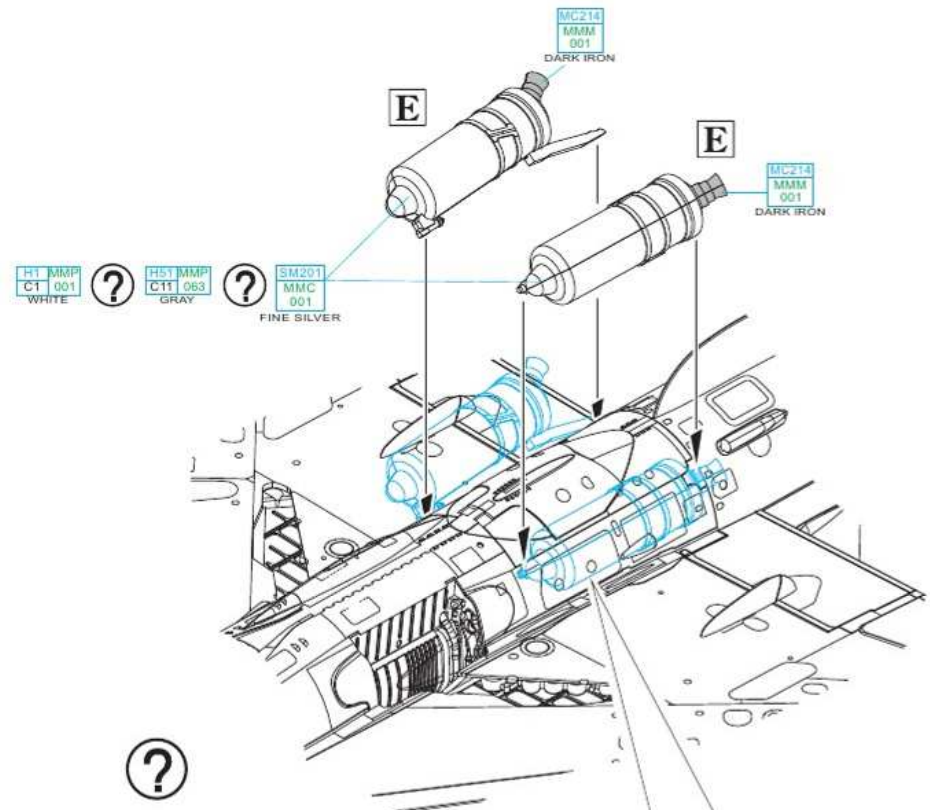
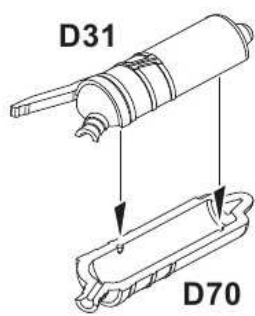




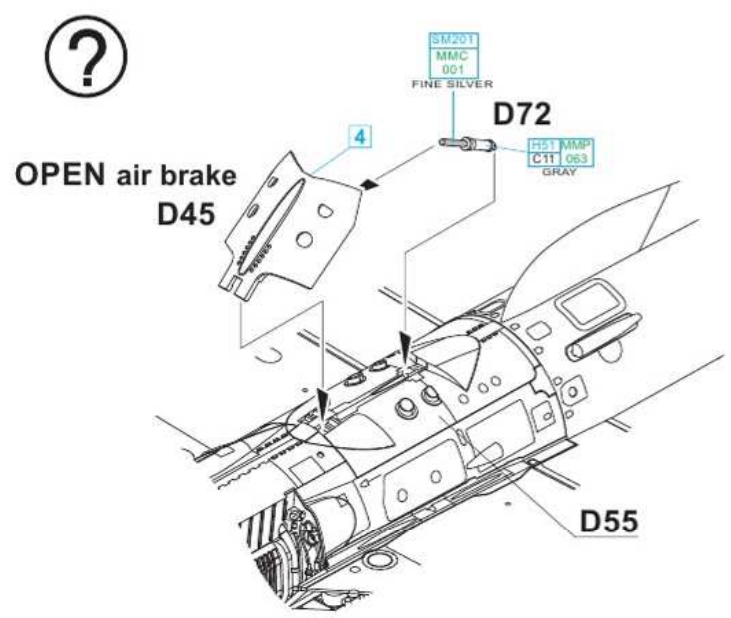
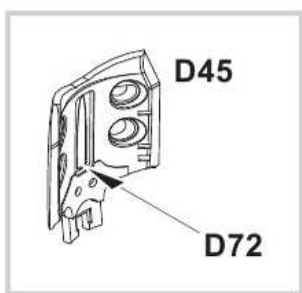


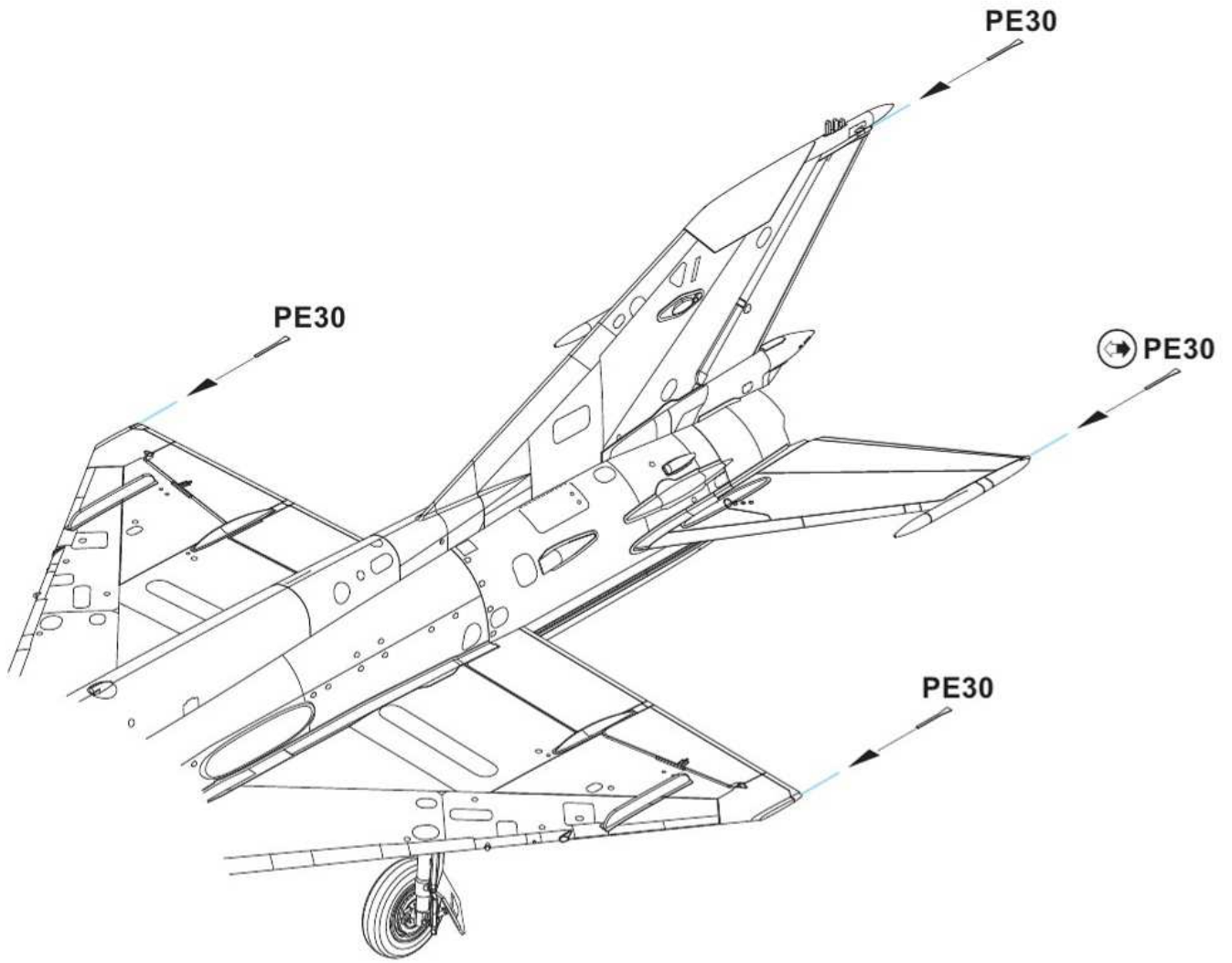


**E** 2 pcs.

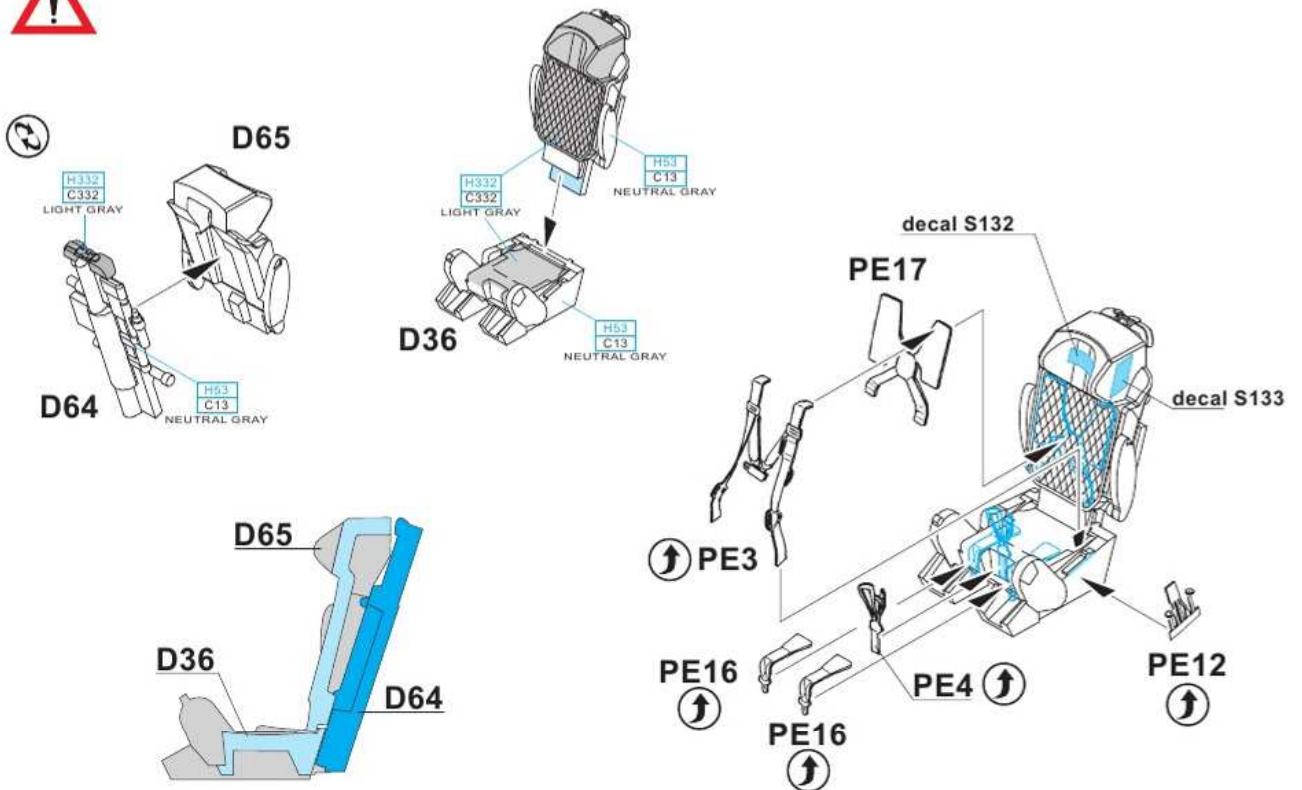


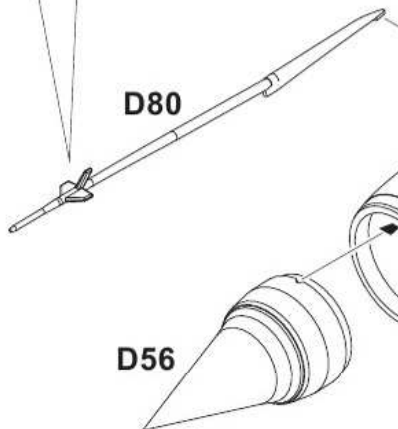
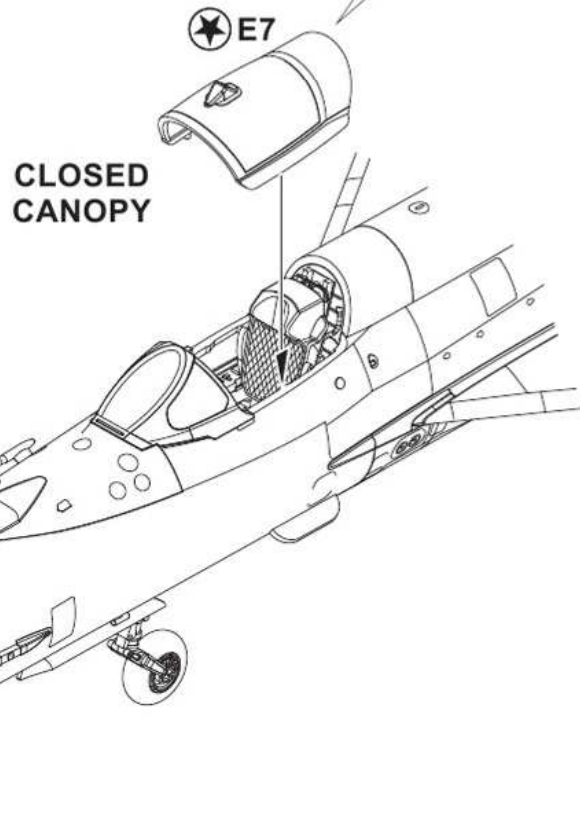
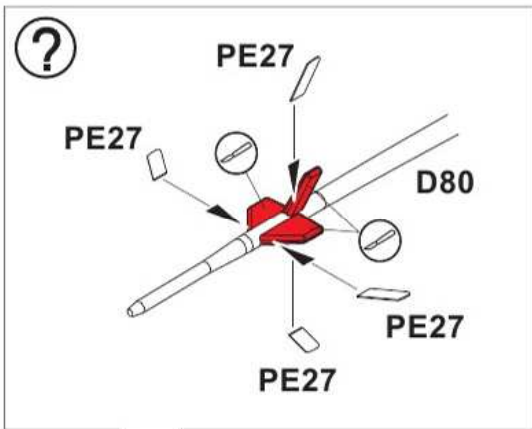
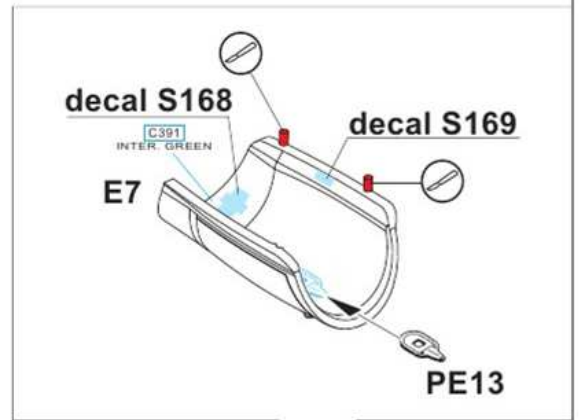
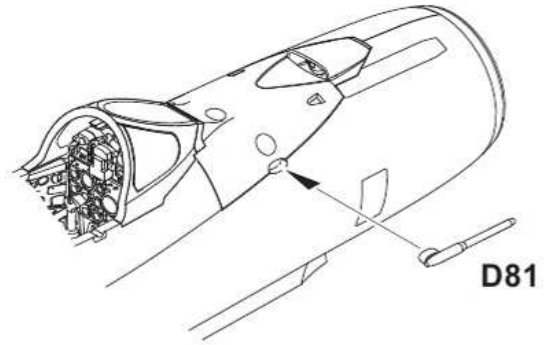
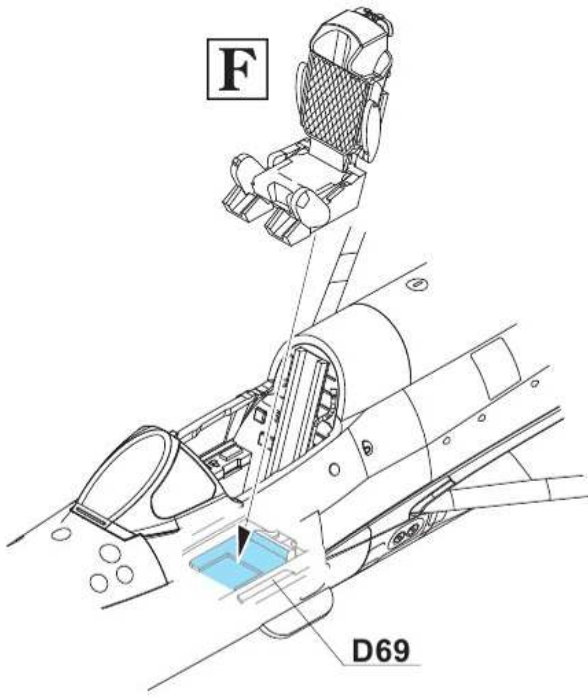
- 4** =
- H51 MMP C1T 063 - MARKINGS **A;D**  
LIGHT GULL GRAY
  - H67 MMP C1T5 057 - MARKINGS **B;C**  
LIGHT BLUE
  - H4 MMP C4 007 - MARKING **E**  
YELLOW



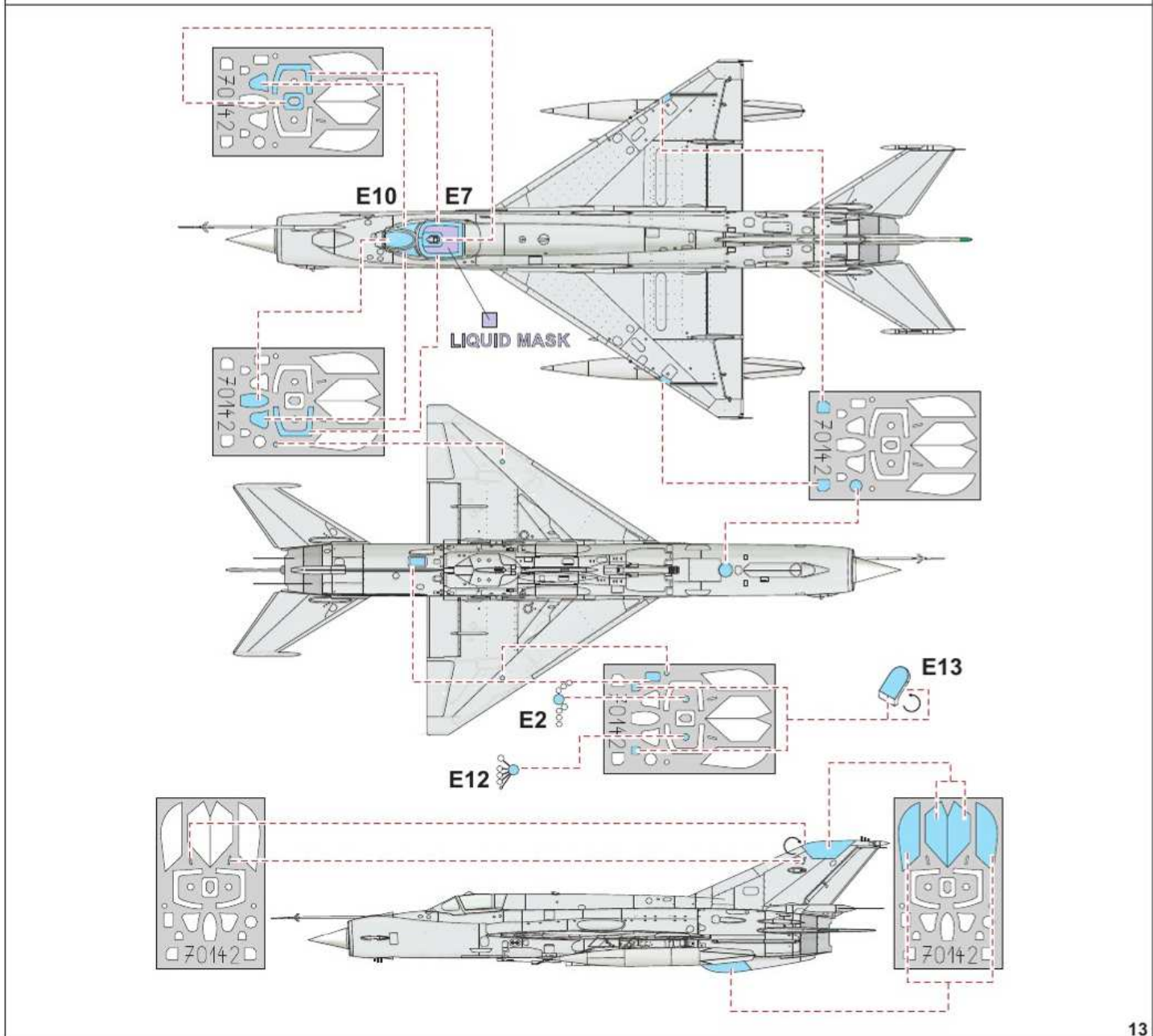
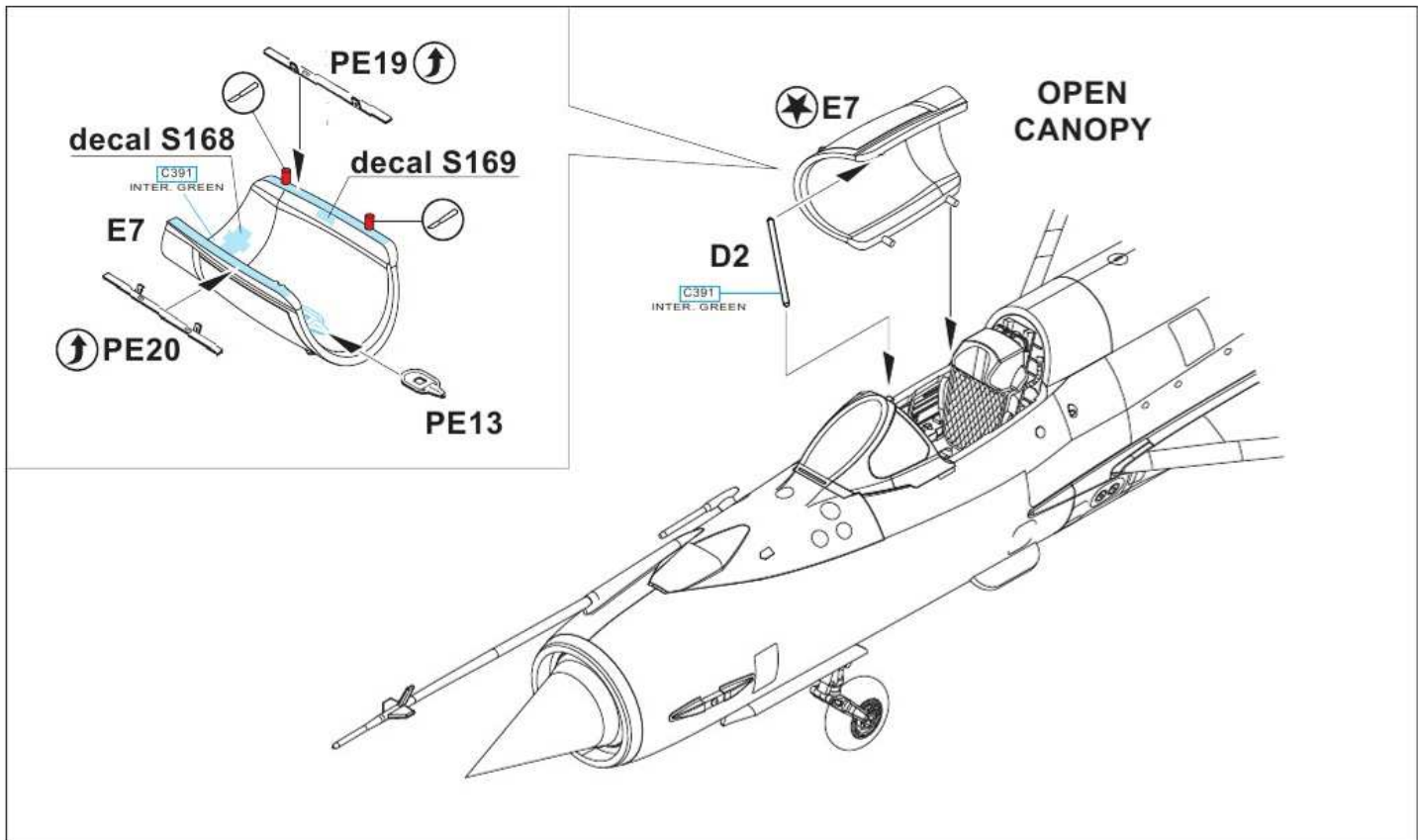


**F**

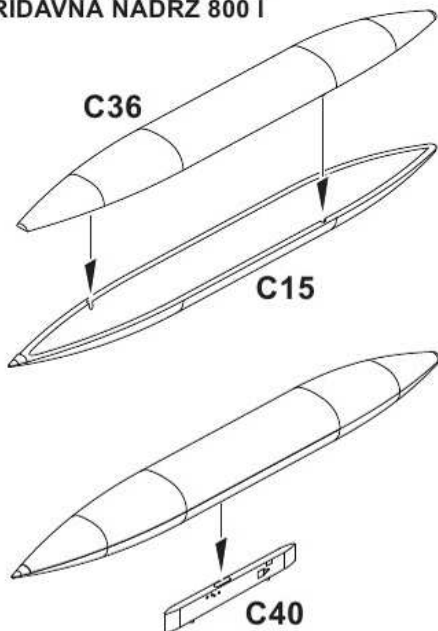




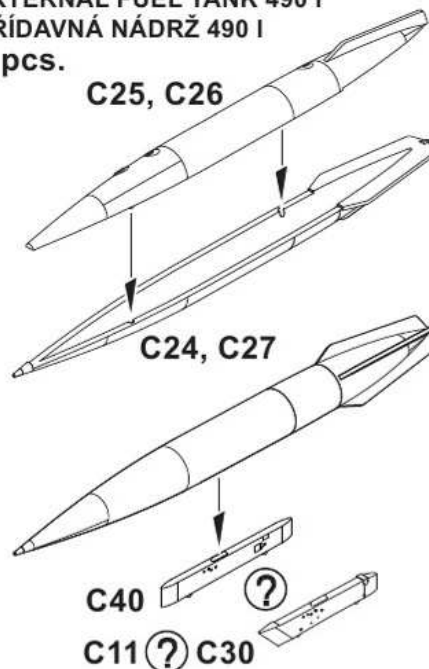
**D56**



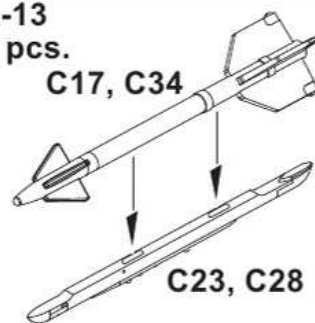
**EXTERNAL FUEL TANK 800 I  
PŘÍDAVNÁ NÁDRŽ 800 I**



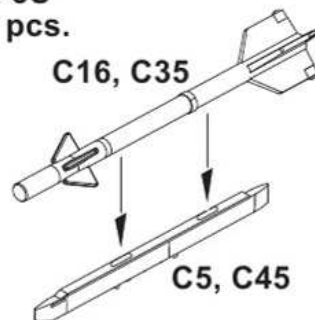
**EXTERNAL FUEL TANK 490 I  
PŘÍDAVNÁ NÁDRŽ 490 I**



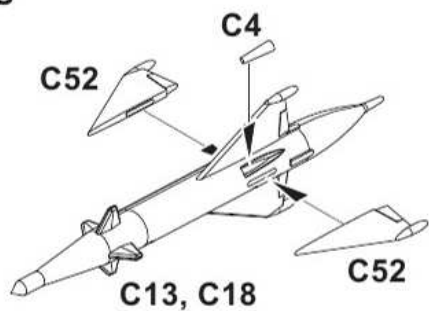
**R-13  
2 pcs.**



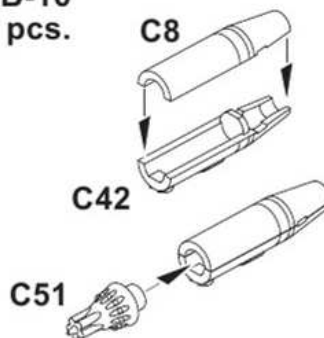
**R-3S  
2 pcs.**



**RS-2US  
2 pcs.**



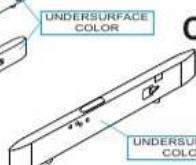
**UB-16  
2 pcs.**



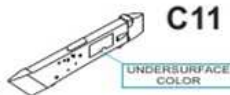
**EXTERNAL FUEL TANK PYLONS  
ZÁVĚSNÍK  
PŘ. NÁDRŽE  
C30**



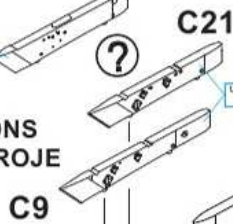
**EXTERNAL FUEL TANK PYLONS  
ZÁVĚSNÍK  
PŘ. NÁDRŽE  
C40**



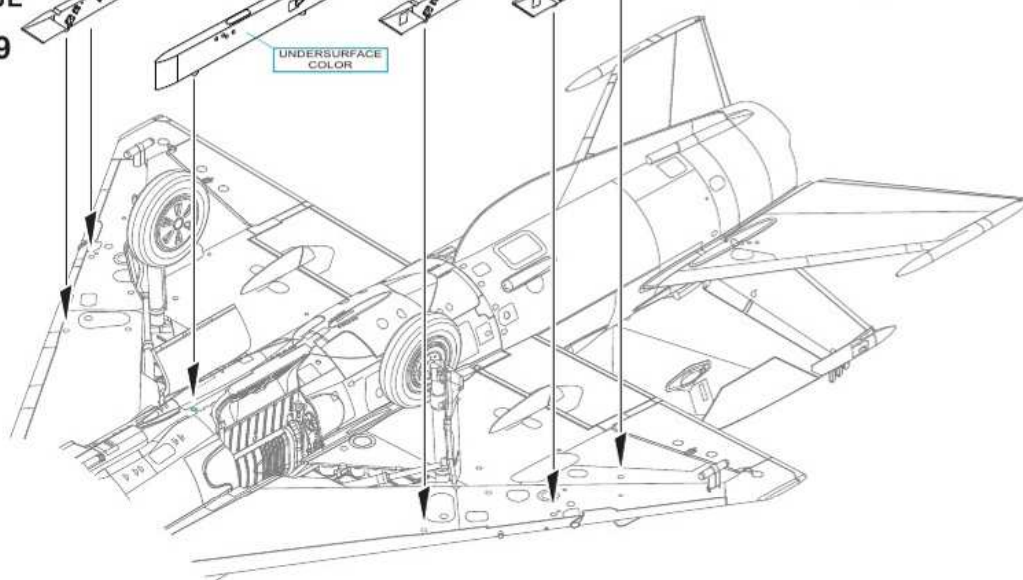
**EXTERNAL FUEL TANK PYLONS  
ZÁVĚSNÍK  
PŘ. NÁDRŽE  
C11**

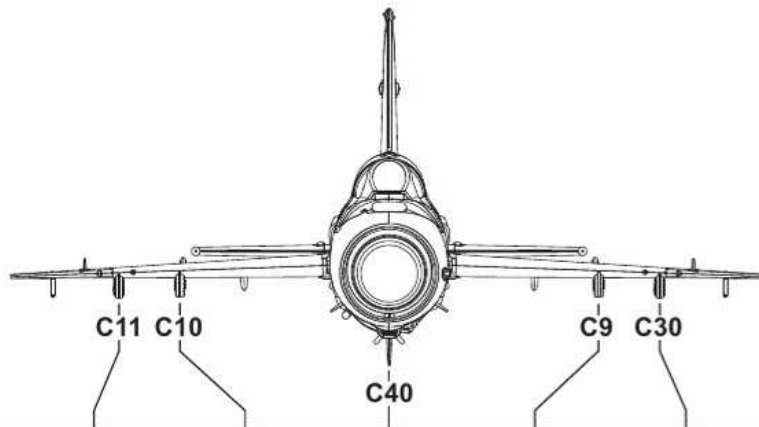


**WEAPON PYLONS  
ZÁVĚSNÍK VÝZBROJE  
C9**



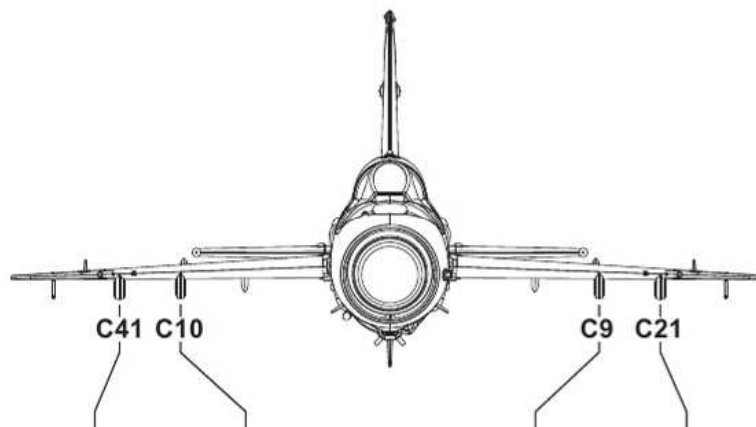
**WEAPON PYLONS  
ZÁVĚSNÍK VÝZBROJE  
C41**





EXTERNAL FUEL TANK 800 I	○			
EXTERNAL FUEL TANK 490 I	⊗			
EXTERNAL FUEL TANK 490 I	⊗			⊗
EXTERNAL FUEL TANK 490 I 2x UB-16	⊗	●	●	⊗

**TYPICAL ARMAMENT FOR QUICK REACTION ALERT DUTY**



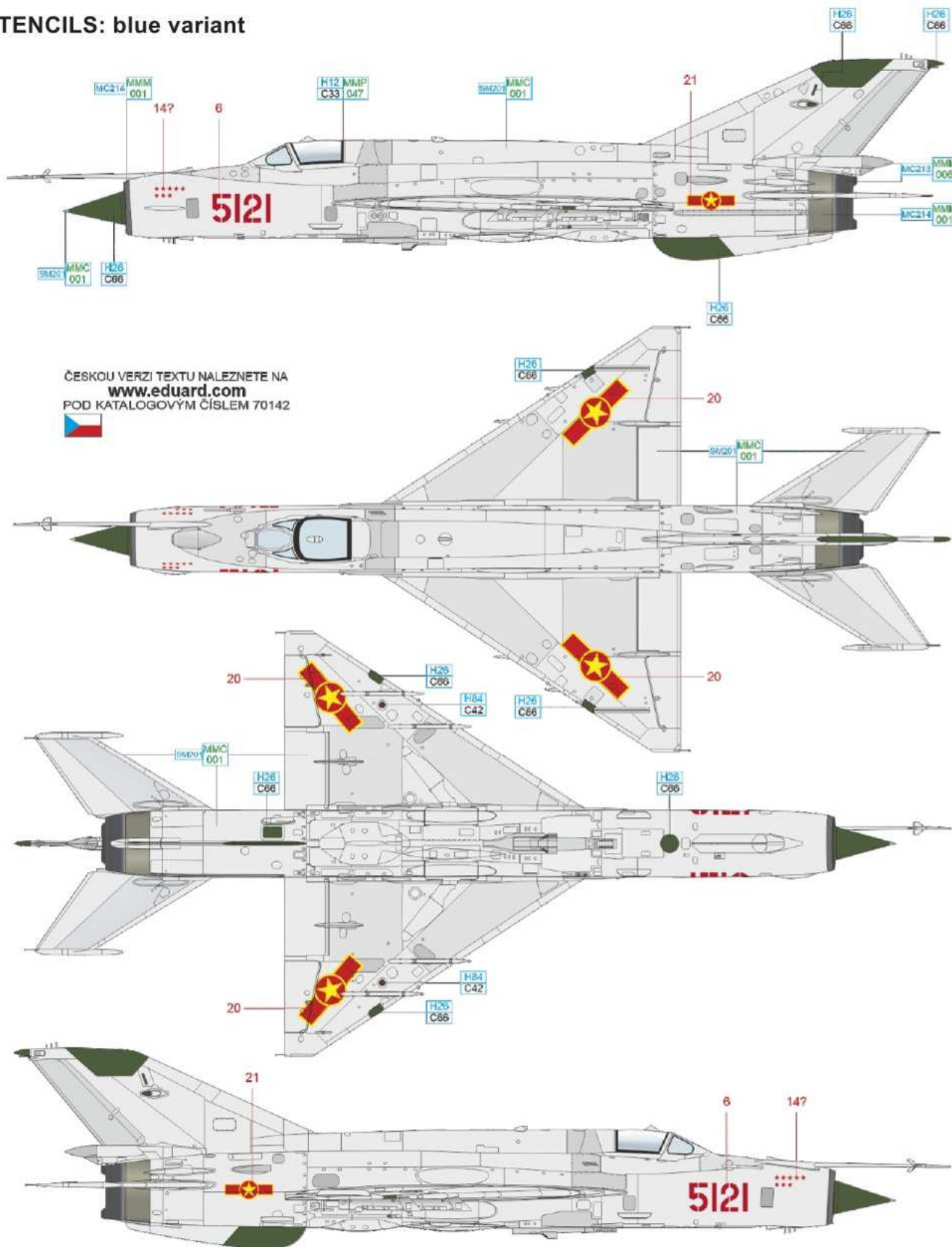
2x RS-2US	C5	C38	C38	C45
2x R-3S	⊗	⊗	⊗	⊗
2x RS-2US	C23	C38	C38	C28
2x R-13	⊗	⊗	⊗	⊗
4x UB-16	●	●	●	●

**TO CHOOSE WEAPON AND EXTERNAL FUEL TANK OPTION PLEASE FOLLOW YOUR REFERENCE.  
PRO VOLBU VÝZBROJE A PŘÍDAVNÝCH NÁDRŽÍ SE DRŽTE DOKUMENTACE KONKRÉTNÍHO STROJE.**

# A No. 5121, flown by Pham Tuan, 921<sup>st</sup> Fighter Regiment, Noi Bai AB, Democratic Republic of Vietnam, December 1972

MiG-21MF coded 5121 is currently displayed in the museum of the Vietnam People's Air Force in Hanoi. Reportedly, on December 27<sup>th</sup>, 1972, Pham Tuan flew this aircraft when he shot down an American B-52 taking part in bombing operations during the Linebacker II offensive. It would be the only MiG-21MF kill over a Stratofortress, but American sources claim the bomber was lost to a SAM. Pham Tuan would later become the only Vietnamese astronaut. He was a crewmember of Soyuz 37 and orbited the earth 142 times in the Salyut 6 station. For his accomplishments, he was awarded high Vietnamese commendations, and was one of a few foreigners to be awarded the Hero of the Soviet Union.

## STENCILS: blue variant



ČESKOU VERZI TEXTU NALEZNETE NA  
**www.eduard.com**  
 POD KATALOGOVÝM ČÍSLEM 70142

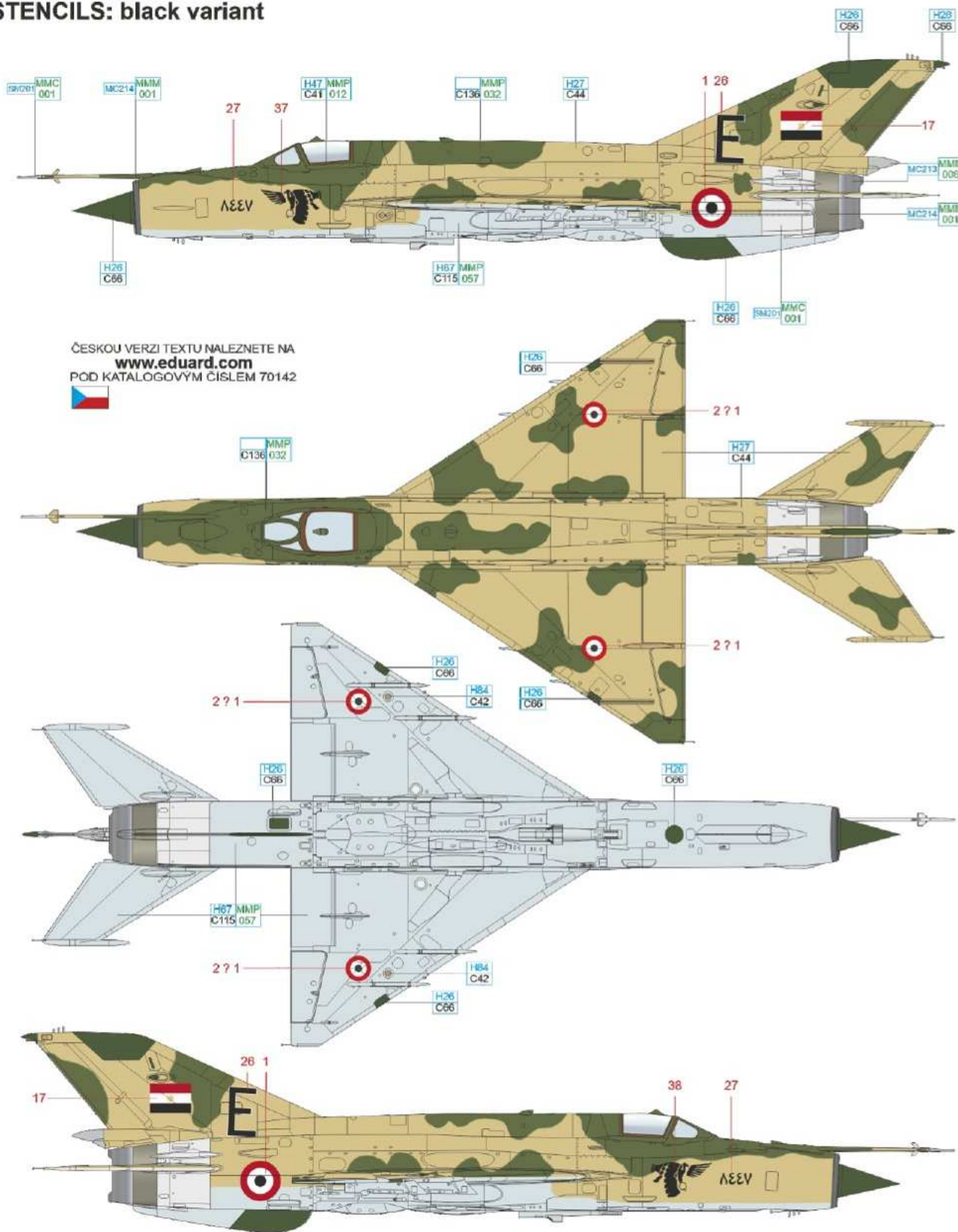




# B No. 8447, No. 46 Squadron, Egypt, 1973

This is an aircraft from No.46 Squadron as it appeared during combat exercises prior to the Yom Kippur War in 1973. For the purposes of quick identification, aircraft carried a large black, outlined in white, letter on the fin. The nose carries a rendering of the goddess Nekhbet, protector of Upper Egypt. Aircraft coded 8447 survived the Yom Kippur War and was photographed in this guise at Cairo in October 1975.

## STENCILS: black variant



ČESKOU VERZI TEXTU NALEZNETE NA  
[www.eduard.com](http://www.eduard.com)  
 POD KATALOGOVYM ČÍSLEM 70142



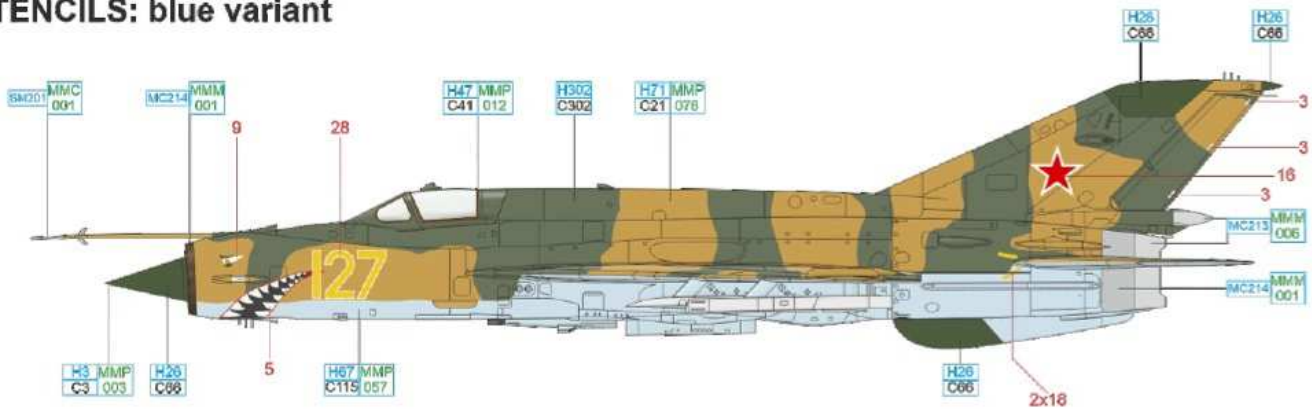
MAHOGANY	H84 C42	RED BROWN	H47 MMP C41 012
STEEL	MC213 MMC 006	DARK IRON	MC214 MMC 001
SUPER FINE SILVER	SVZ01 MMC 001	TAN	H27 C44
		LIGHT BLUE	H67 MMP C115 057
		GREEN	MMP C136 032
		BRIGHT GREEN	H26 C66

eduard

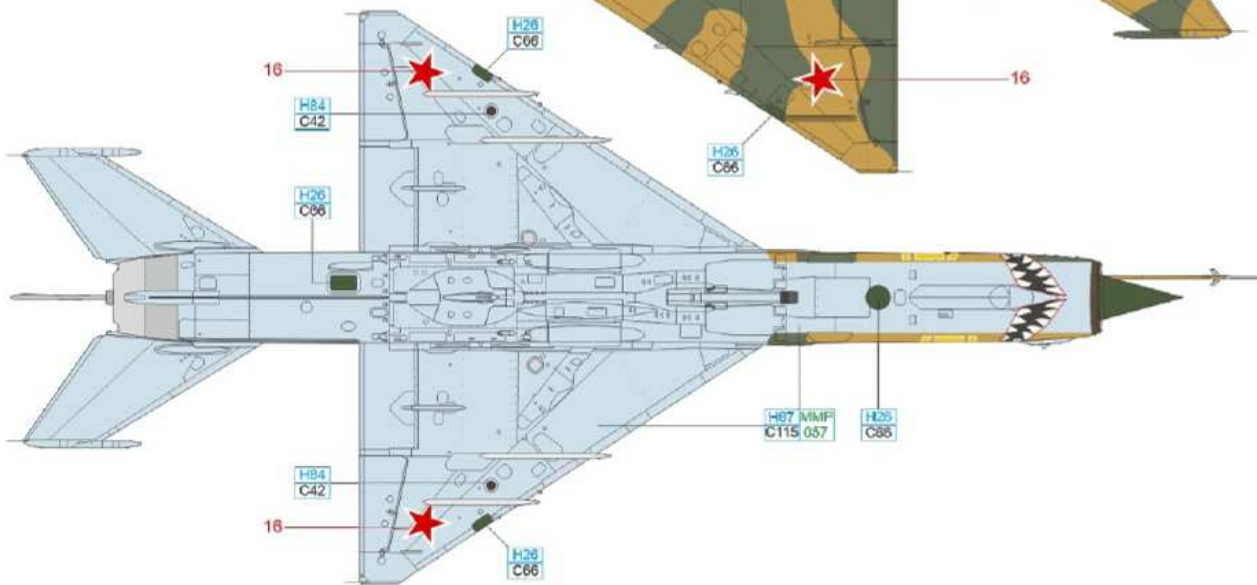
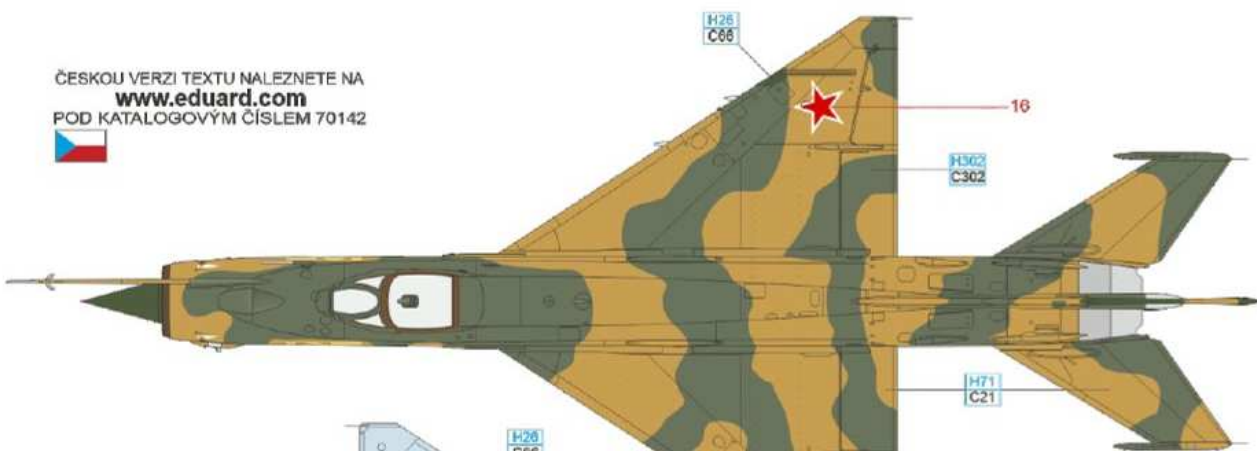
**C** No. 127, 812<sup>th</sup> Training Air Regiment, Kharkov Higher Military Aviation School of Pilots,  
Kupyansk Airfield, Soviet Union, August 1991

This aircraft, adorned with a sharkmouth and eyes, served with the 812. UAP (812<sup>th</sup> Training Air Regiment) operating within the structure of the Kharkov higher training facility. This was one of the aircraft that were displayed for the leadership during the open house on August 18<sup>th</sup>, 1991.

**STENCILS: blue variant**



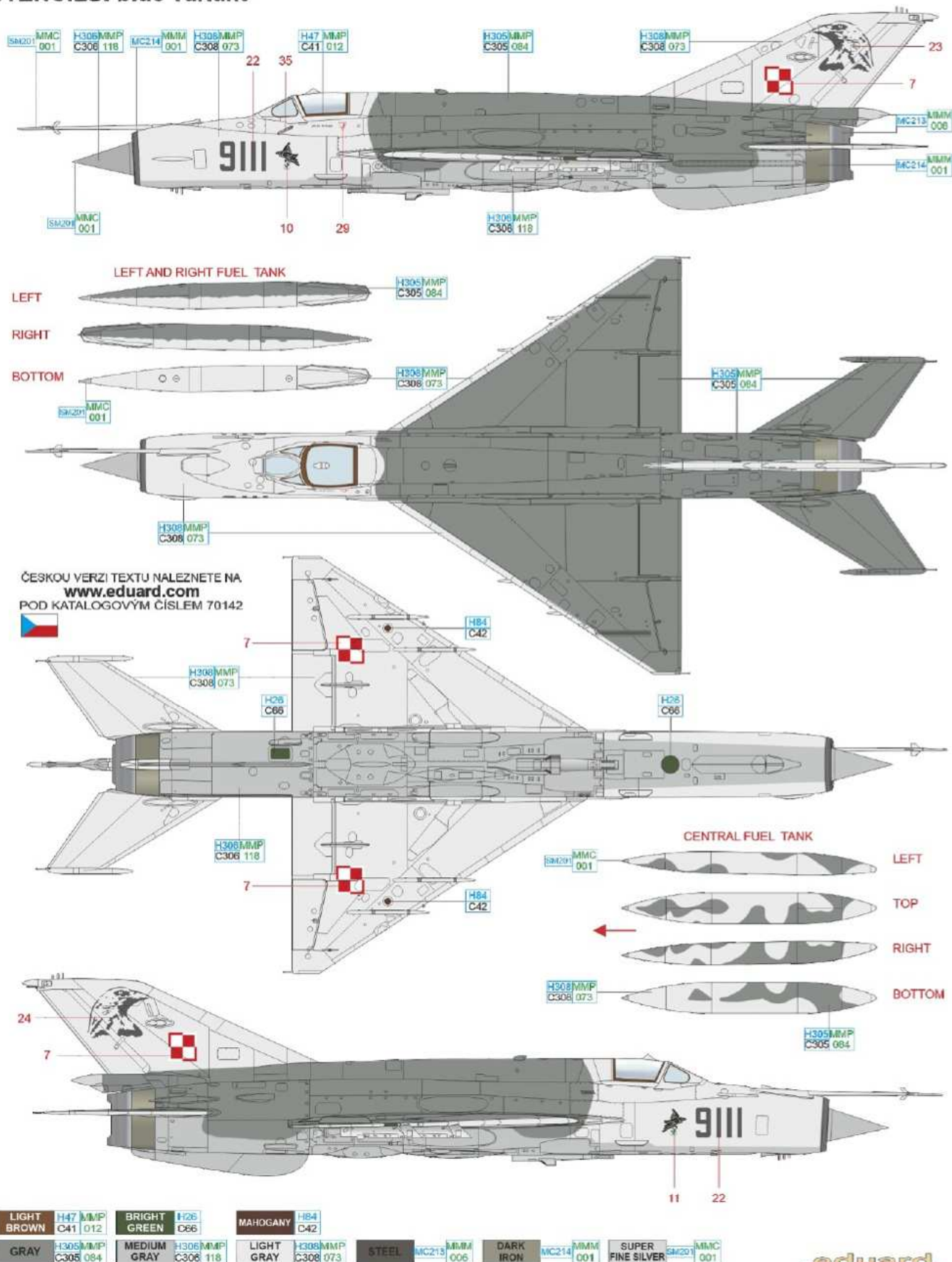
ČESKOU VERZI TEXTU NALEZNETE NA  
[www.eduard.com](http://www.eduard.com)  
POD KATALOGOVÝM ČÍSLEM 70142



RED	H3 MMP C3 003	RED BROWN	H47 MMP C41 012	MAHOGANY	H84 C42	BRIGHT GREEN	H26 C66
STEEL	MC213, MMM 006	DARK IRON	MC214, MMM 001	LIGHT BLUE	H67 MMP C115 057	SUPER FINE SILVER	SM201, MMC 001
				GREEN	H302 C302	MIDDLE STONE	H71 MMP C21 078

The 3<sup>rd</sup> ELT was formed on January 1st, 2001 at Poznan - Krzesiny and was equipped with MiG-21MF, bis and UM aircraft. The unit only used the MiG-21MFs for two years, ending their use in 2002. The bis version was flown by the pilots of the 3<sup>rd</sup> ELT until 2003 when it was decided to re-equip the unit with American F-16s. On April 1<sup>st</sup>, 2008, the 3<sup>rd</sup> ELT, 6<sup>th</sup> ELT and the 31<sup>st</sup> Baze Lotnicza were disbanded and the 31<sup>st</sup> Baza Lotnictwa Taktycznego (31<sup>st</sup> tactical Air Base) was formed. Since 2007, this aircraft has been displayed at Poznan - Krzesin. The aircraft is camouflaged in shades of grey that is used on F-15s and F-16s. The raven's head marking on the fin hails from 2002 on the occasion of a CO's gathering in Berlin. Below the windscreen is the 3<sup>rd</sup> Squadron marking, the predecessor of the 3<sup>rd</sup> ELT.

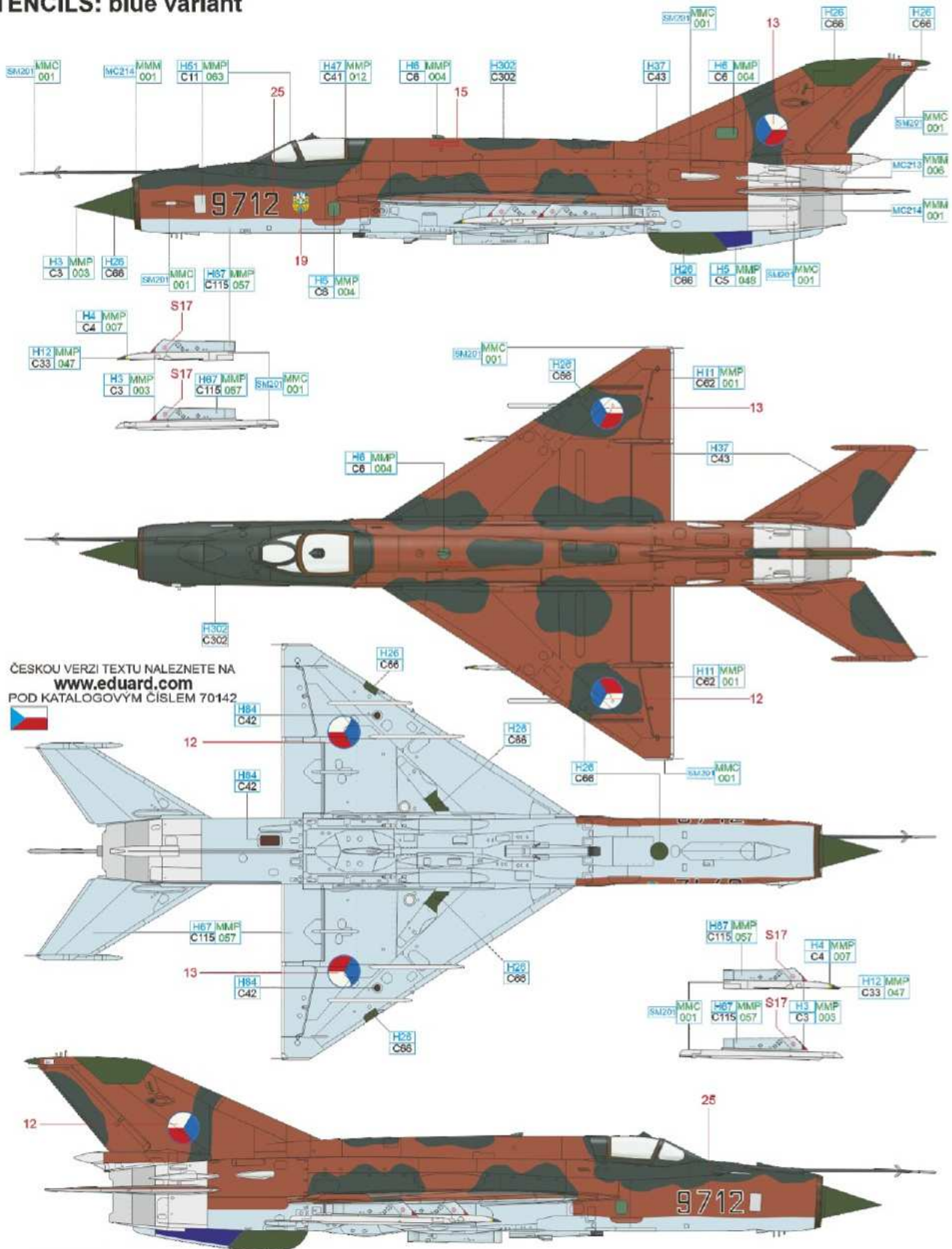
## STENCILS: blue variant



# E No. 9712, 9<sup>th</sup> Fighter Regiment, Bechyně, Czechoslovakia, 1989 - 1993

This aircraft had the serial number 969712, and was built in 1974, and subsequently delivered to Czechoslovakia. It served with the 4<sup>th</sup> Fighter Regiment at Pardubice till May 1989, at which time it was transferred to the 9<sup>th</sup> Fighter Regiment. Here, it flew with the Bechyne coat of arms on the left side of the nose. After the Velvet Divorce, this aircraft was assigned to the Slovak Air Force, and is currently in the collection of the air museum at Trencin, Slovakia. The aircraft carries a camouflage scheme as originally delivered from the Soviet Union.

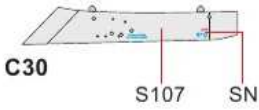
## STENCILS: blue variant



ČESKOU VERZI TEXTU NALEZNETE NA  
[www.eduard.com](http://www.eduard.com)  
 POD KATALOGOVÝM ČÍSLEM 70142

WHITE	H11 MMP C62 001	SUPER FINE SILVER	MMC 001	LIGHT YELLOW	H4 MMP C4 007	RED	H3 MMP C3 003	WOOD BROWN	H37 C43	MAHOGANY	H84 C42	BLUE	H5 MMP C5 048	BLACK	H12 MMP C33 047
STEEL	MC213 MMC 006	SM201	MMC 001	LIGHT GULL GRAY	H51 MMP C11 063	GREEN	H9 MMP C6 004	BRIGHT GREEN	H26 C66	GREEN	H302 C302	RED BROWN	H47 MMP C41 012		
DARK IRON	MC214 MMC 001	LIGHT BLUE	H67 MMP C115 057												

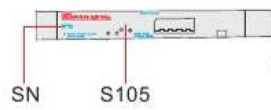
LEVÝ VNĚJŠÍ PALIVOVÝ PYLON  
LEFT OUTSIDE UNDERWING TANK PYLON



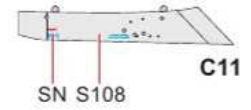
SN - SERIAL NUMBER  
MALÉ NA DRAK LETOUNU  
STŘEDNÍ NA ZÁVĚSNÍKY  
VELKÉ NA RAKETNICE

SN - SERIAL NUMBER  
SMAL TO AIRFRAME  
MEDIUM TO PYLONS  
LARGE TO ROCKET LAUNCHERS

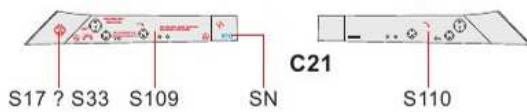
PODTRUPOVÝ PYLON  
FUSELAGE PYLON



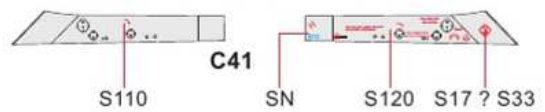
PRAVÝ VNĚJŠÍ PALIVOVÝ PYLON  
RIGHT OUTSIDE UNDERWING TANK PYLON



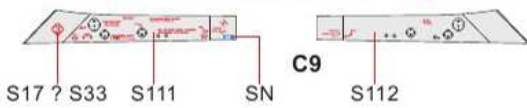
LEVÝ VNĚJŠÍ PYLON  
LEFT OUTSIDE PYLON



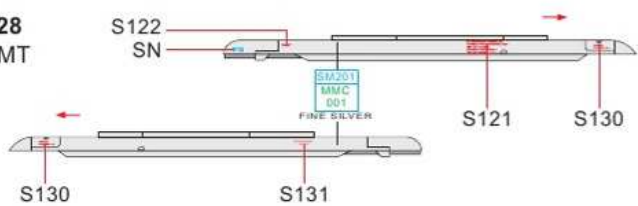
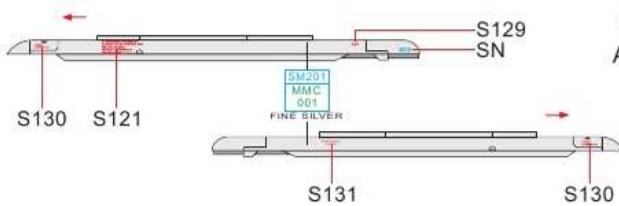
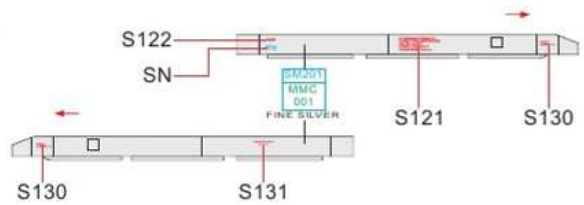
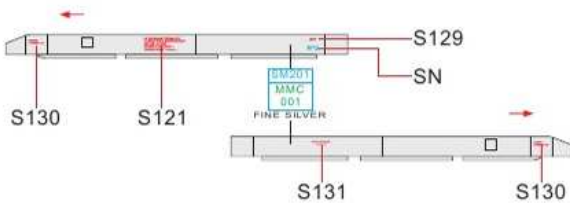
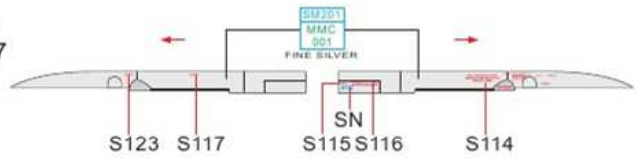
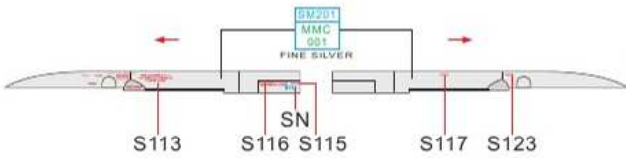
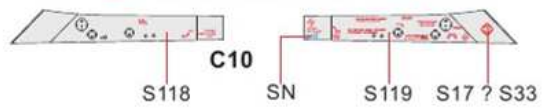
PRAVÝ VNĚJŠÍ PYLON  
RIGHT OUTSIDE PYLON

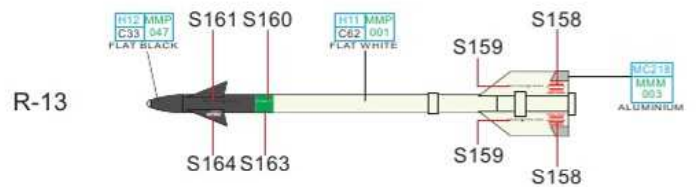
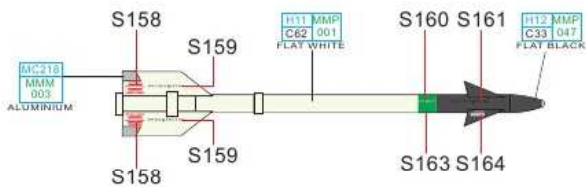
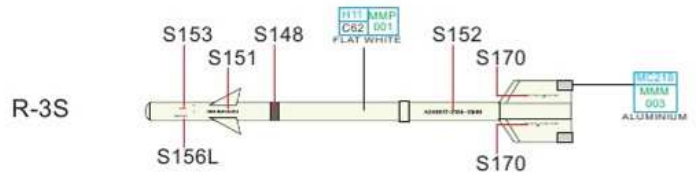
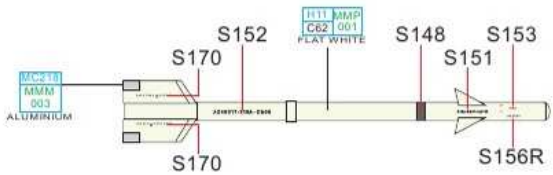
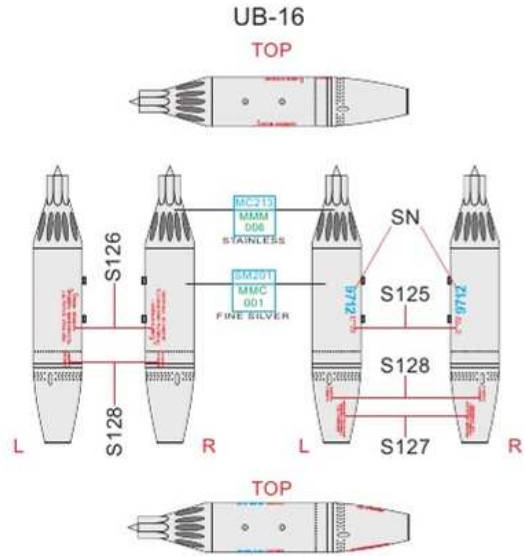
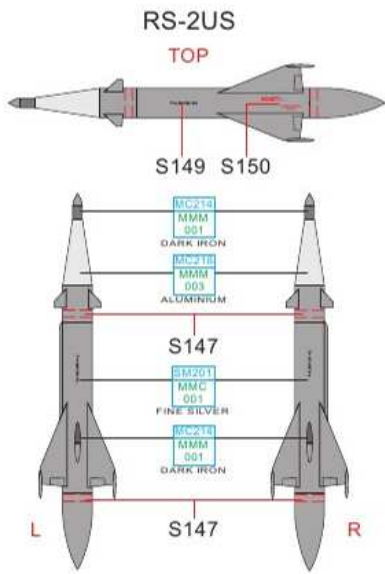
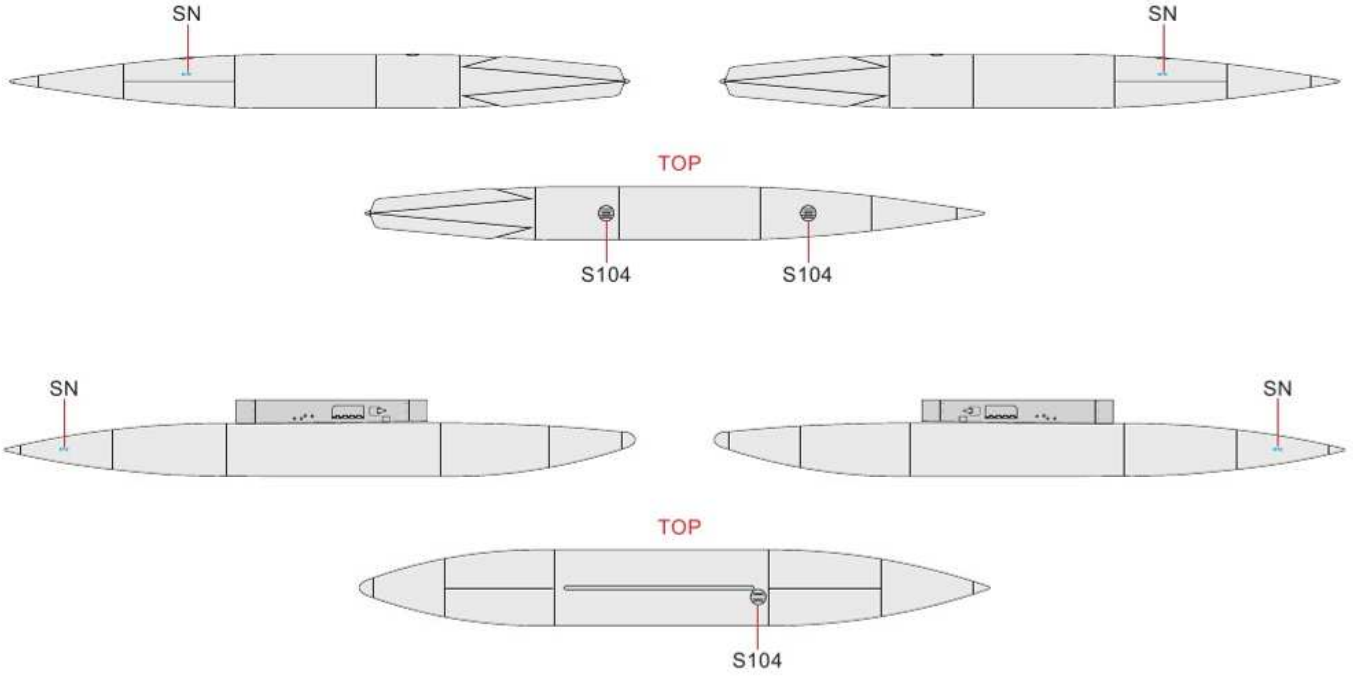


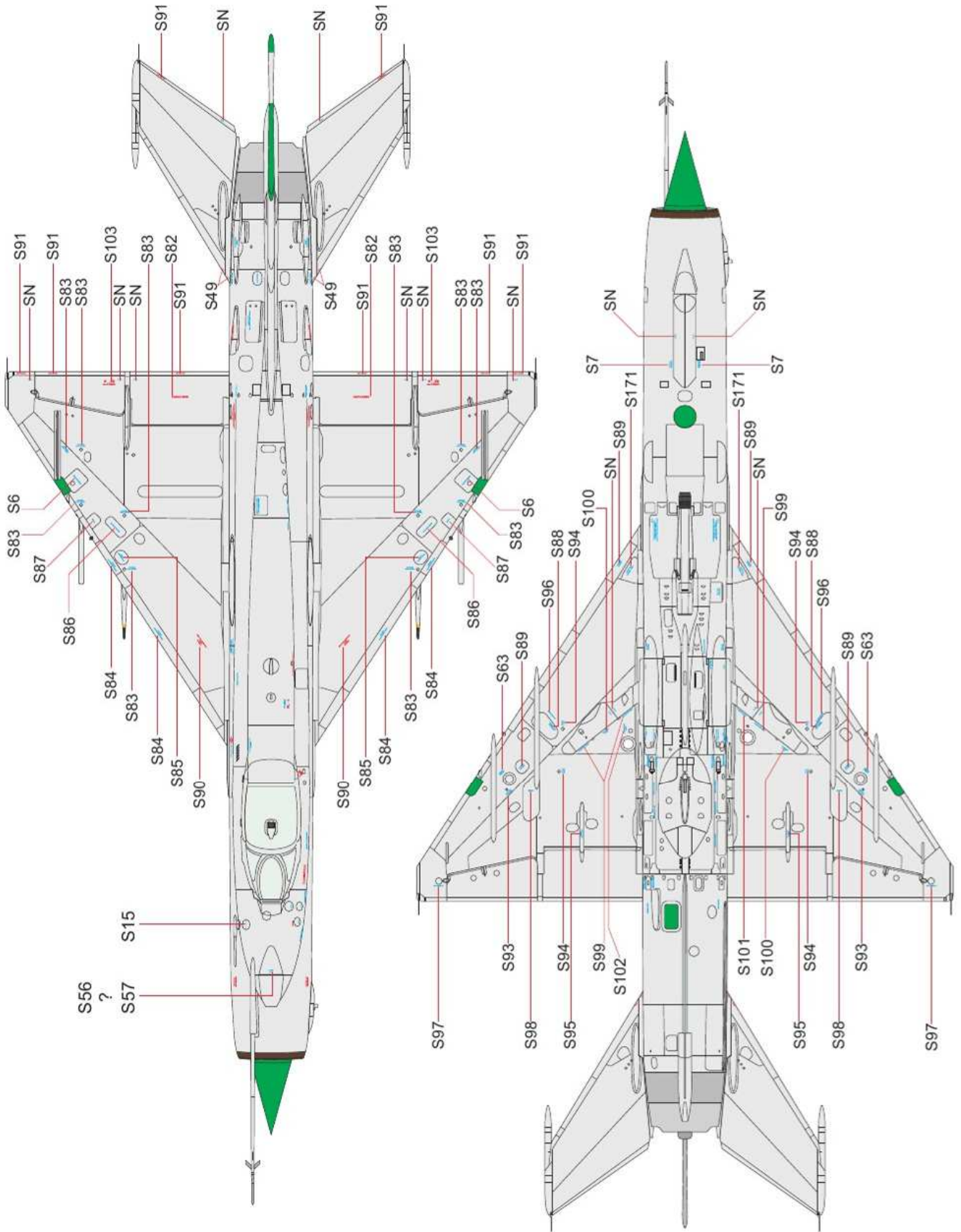
LEVÝ VNITŘNÍ PYLON  
LEFT INSIDE PYLON

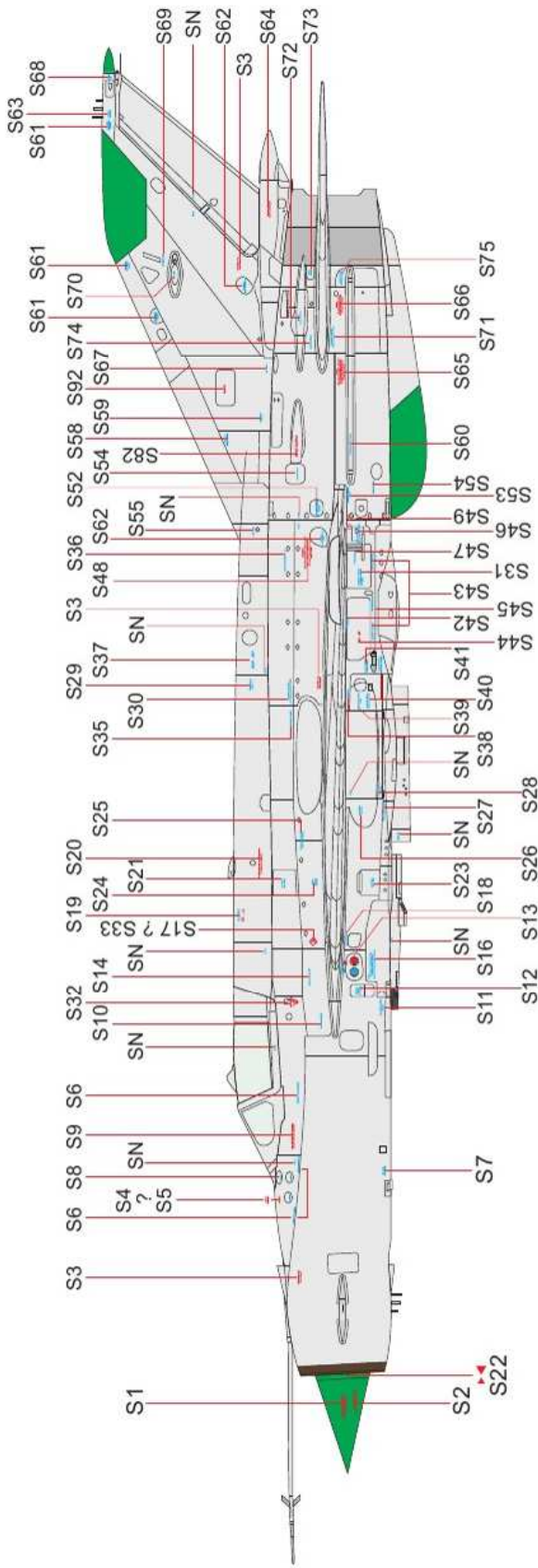


PRAVÝ VNITŘNÍ PYLON  
RIGHT INSIDE PYLON









**SN - SERIAL NUMBER**  
 SN - SERIAL NUMBER  
 SN - SERIAL NUMBER

