

AVRO Model 621 TUTOR

Plastic model

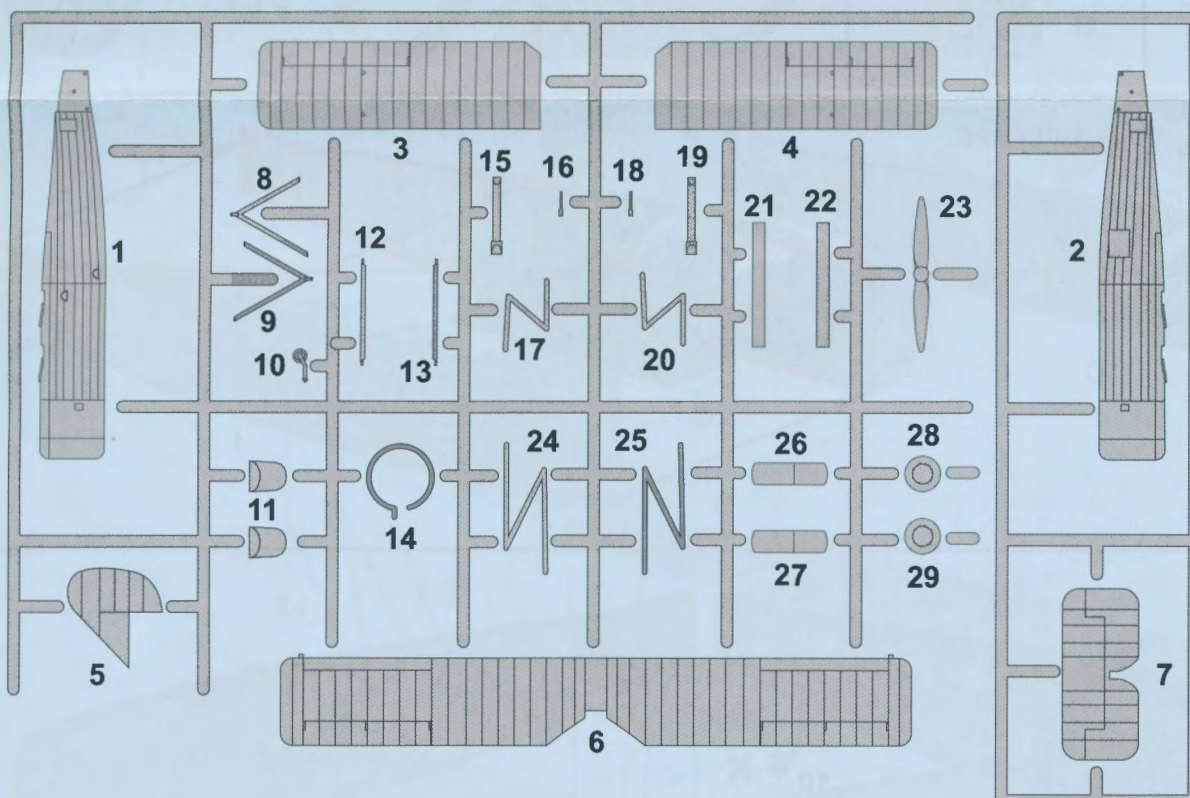
scale : 1/72

History note

The Avro Model 621 was designed by Roy Chadwick as an Avro private venture metal replacement for the Avro 504. Conceived as a light initial pilot trainer, the biplane design featured heavily staggered equal-span, single-bay wings; the construction was based on steel tubing (with some wooden components in the wing ribs) with doped linen covering. A conventional, fixed divided main undercarriage with tailskid was used in all but the latest aircraft, which had a tailwheel.

The Model 621 was powered either by a 155 hp (116 kW) Armstrong Siddeley Mongoose or Armstrong Siddeley Lynx IV (180 hp/130 kW) or IVC (240 hp/179 kW) engine; later Lynx-powered models had the engine enclosed in a Townend ring cowling. The Mongoose-powered version was called the 621 Trainer and the more numerous Lynx-engined aircraft the Tutor. The Tutor also differed by having a more rounded rudder. The first flight of the prototype G-AAKT was in September 1929, piloted by Avro chief test pilot Captain Harry Albert "Sam" Brown. Subsequently, the Model 621 achieved substantial foreign sales. A.V. Roe and Co exported 29 for the Greek Air Force, six for the Royal Canadian Air Force, five for the Kwangsi AF, three for the Irish AF (where it was known as the Triton) and two for each of the South African and Polish AFs. In addition 57 were licence-built in South Africa, and three licence-built by the Danish Naval Shipyard. Known for its good handling, the type was often featured at air shows. Over 200 Avro Tutors and five Sea Tutors remained in RAF service at the beginning of the Second World War.

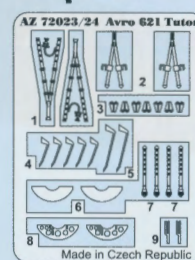
Plastic parts



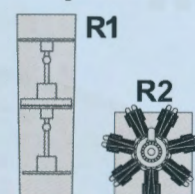
Clear parts



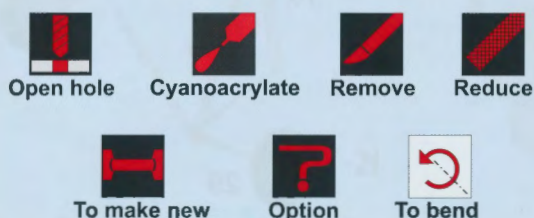
Metal parts



Resin parts

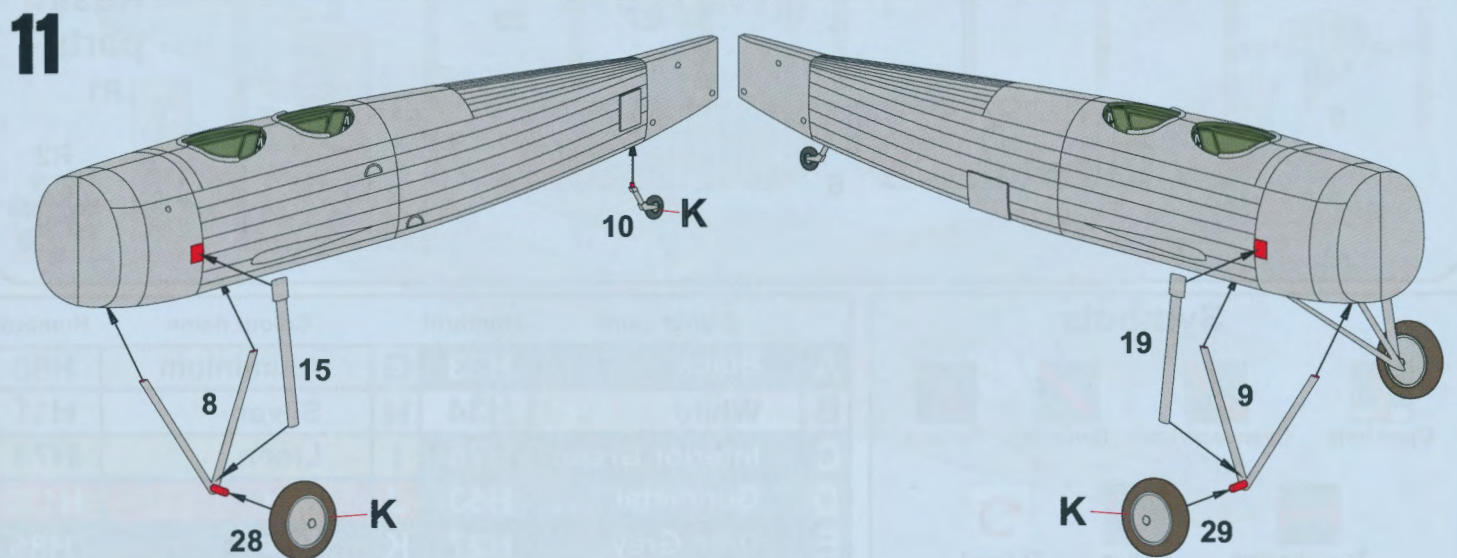
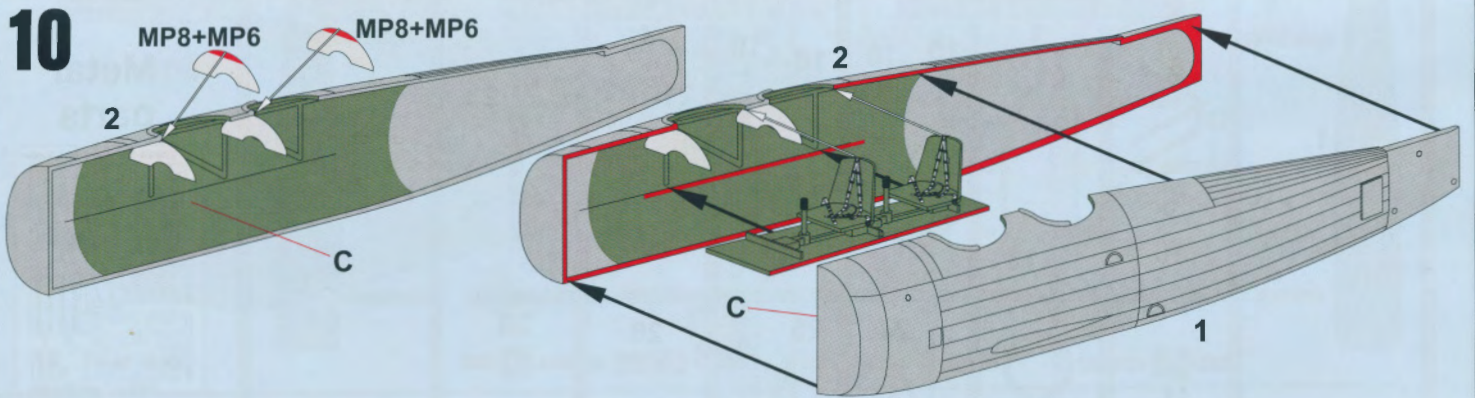
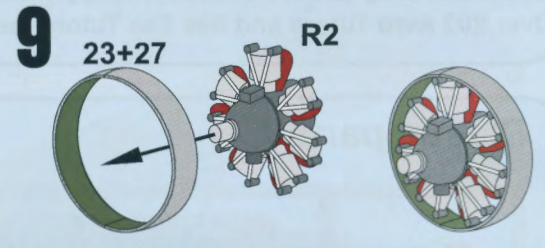
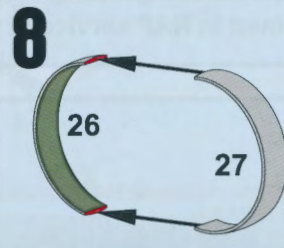
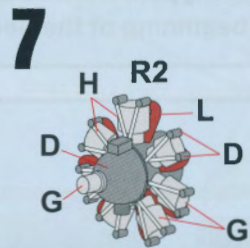
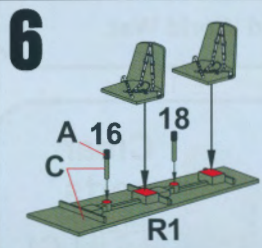
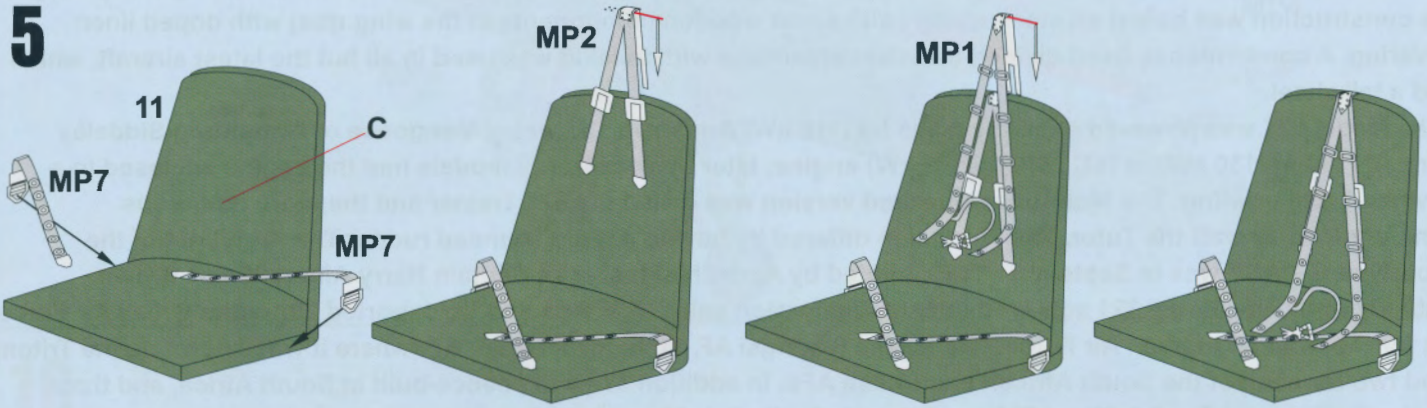
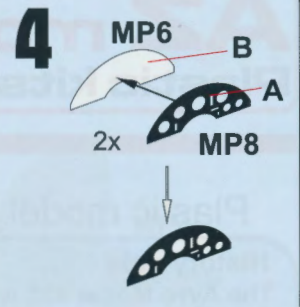
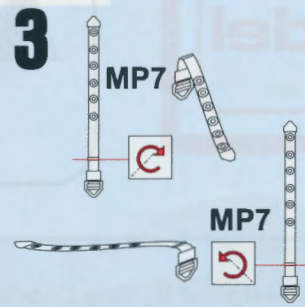
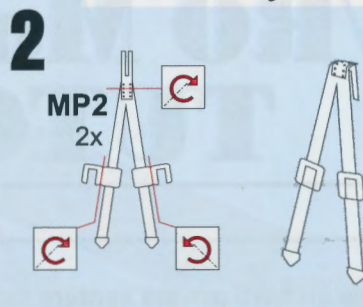
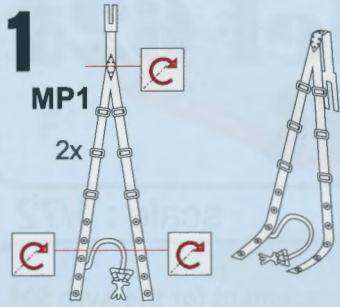


Symbols



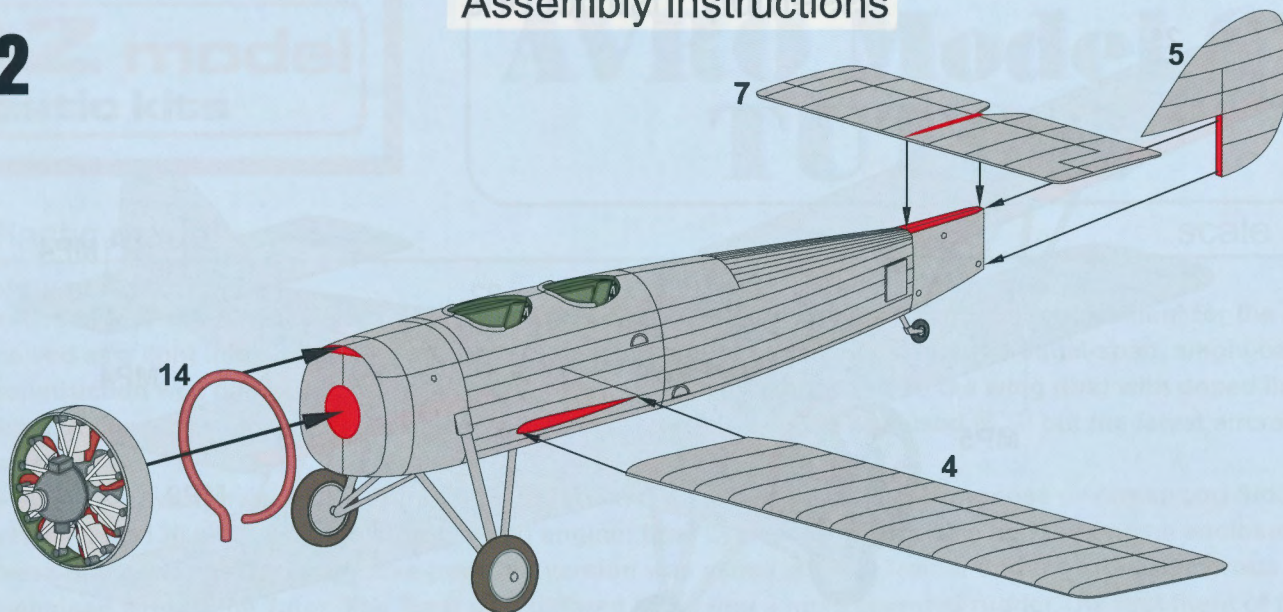
	Colour name	Humbrol		Colour name	Humbrol
A	Black	H33	G	Aluminium	H56
B	White	H34	H	Silver	H11
C	Interior Green	H76	I	Linen	H74
D	Gunmetal	H53	J	Red	H132
E	Dark Grey	H27	K	Tyre	H85
F	Green	H120	L	Rust	H113

Assembly instructions

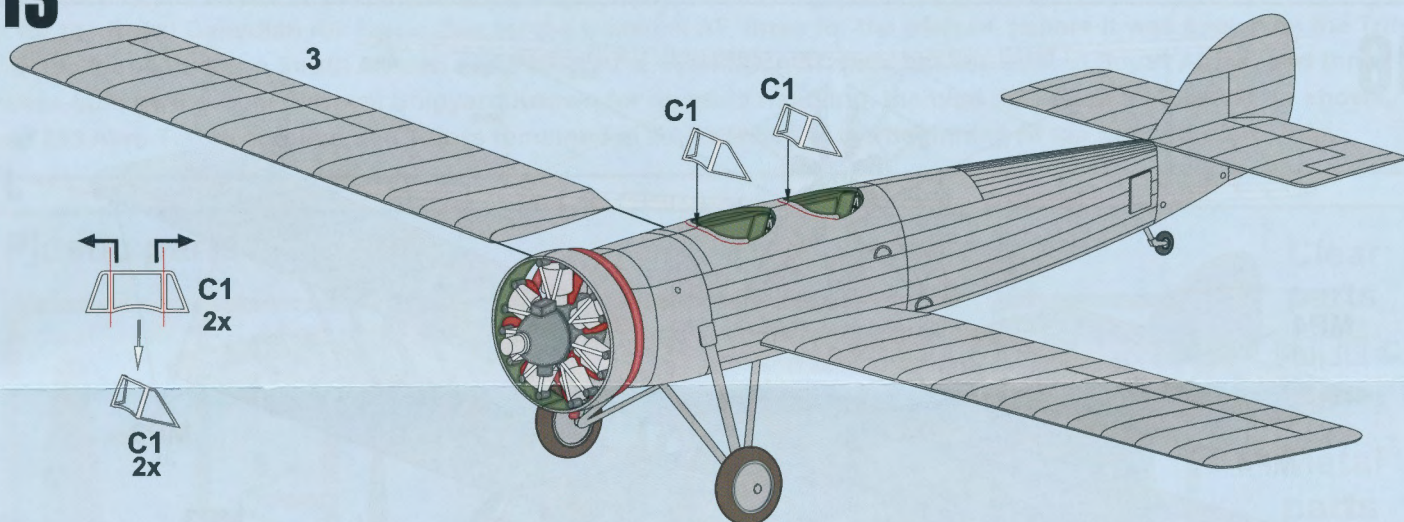


Assembly instructions

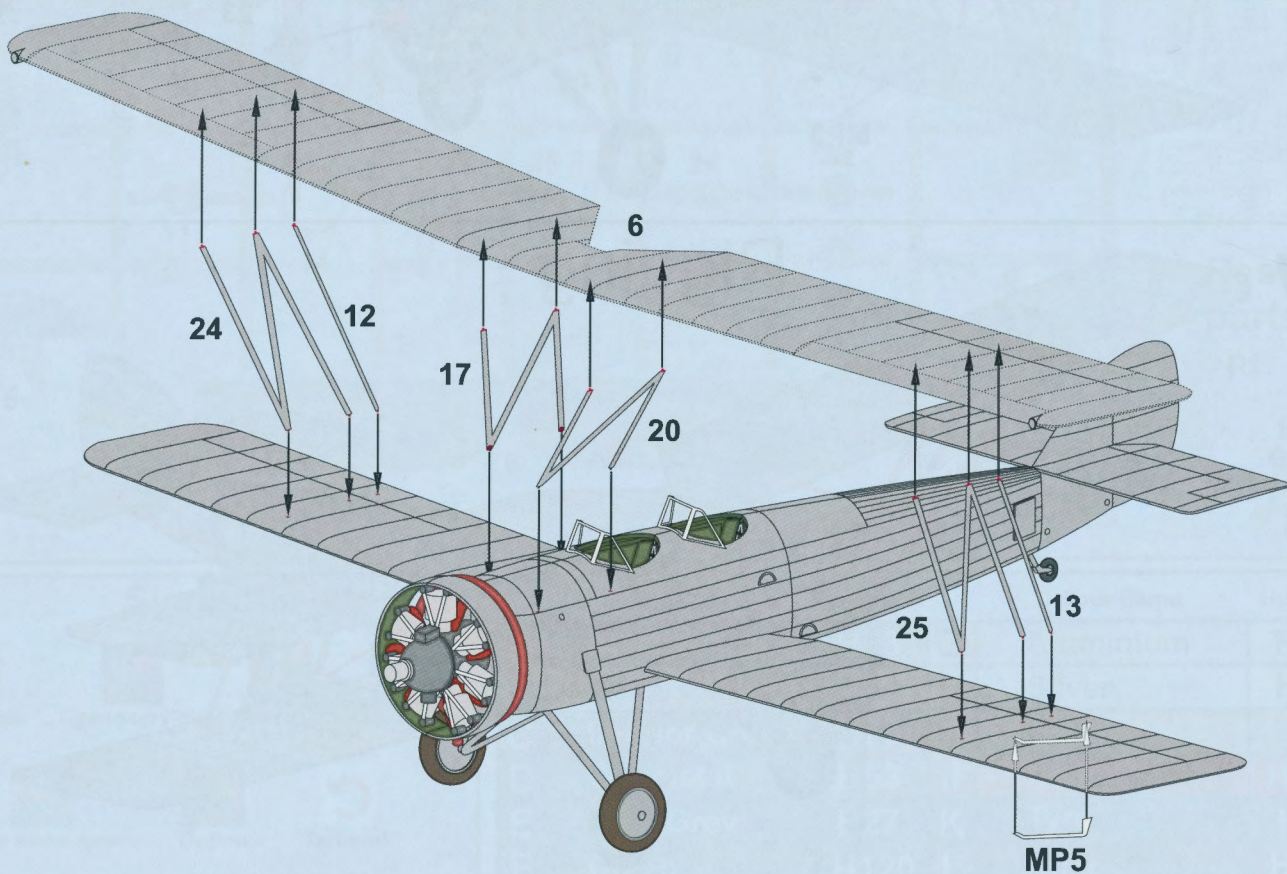
12



13



14



Assembly instructions

