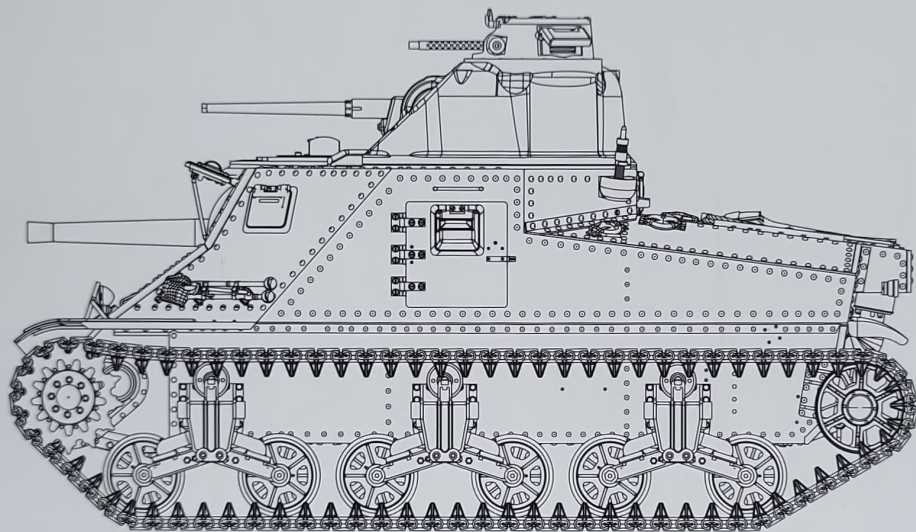


US Medium Tank

# M3 LEE EARLY



The outbreak of WWII in Europe caused the U.S. Army to recognize it was lacking an effective tank force. Design of the Medium Tank M3 commenced in July 1940, with production beginning in December, and the first units became operational in late 1941. The U.S. Army required a medium tank armed with a 75mm main gun and the United Kingdom had made an immediate demand for more medium tanks. The odd design archaically mounted the 75mm main gun in the right sponson, with another 37mm gun mounted in a small turret on top, which was a compromise meant to produce a tank as soon as possible until the M4 became available. In Britain, the tank was called by two names based on the turret configuration and crew size. Tanks fitted with the US style turrets were called the "Lee", named after Confederate general Robert E. Lee. Variants using British style turrets were known as the "Grant," named after Union general Ulysses S. Grant. The M3 offered potent firepower and sturdy armor, but had serious shortcomings in its general design and shape, including a high silhouette, and the sponson mounting of the 75mm main gun, which limited traverse and prevented the tank from taking a hull-down position. It also featured riveted construction (creating deadly internal projectiles with non-penetrating hits), and limited off-road performance. Multiple variants and derivatives were spawned from M3 production, including the M31 Armored Recovery Vehicle, M7 Priest Self Propelled Gun, and even the Canadian Ram cruiser tank.

Of the 6,258 M3 variants manufactured in the United States, 2,855 were officially handed over to the British government thanks to the Lend-Lease Agreement of 1941. The M3 Grant first saw action with the Royal Armoured Corps in North Africa during May 1942. However, most of the M3s ordered by the UK quickly became surplus to the requirements of the British Army, and 1,700 were transferred to the Australian Army for home defense and training duties in Australia. The British Indian Army also received 900 Grants, and a further 1,386 Lee's were exported directly from the US to the Soviet Union, although only 976 of these reached Russian ports due to German U-boat and air attacks on Allied convoys transporting the vehicles.

03.02.2085

## M3 LEE EARLY

Color info and profiles by



## Painting and Marking Guide

A.MIG 033	Rubber & Tires	A.MIG 035	Dark Tracks	A.MIG 036	Old Wood	A.MIG 045	Gun Metal
A.MIG 071	Khaki	A.MIG 092	Crystal Red	A.MIG 094	Crystal Glass	A.MIG 096	Crystal Periscope Green
A.MIG 192	Silver	A.MIG 019	MIG Russian Green				

Soviet Union, unknown unit, unknown date.



## M3 LEE EARLY

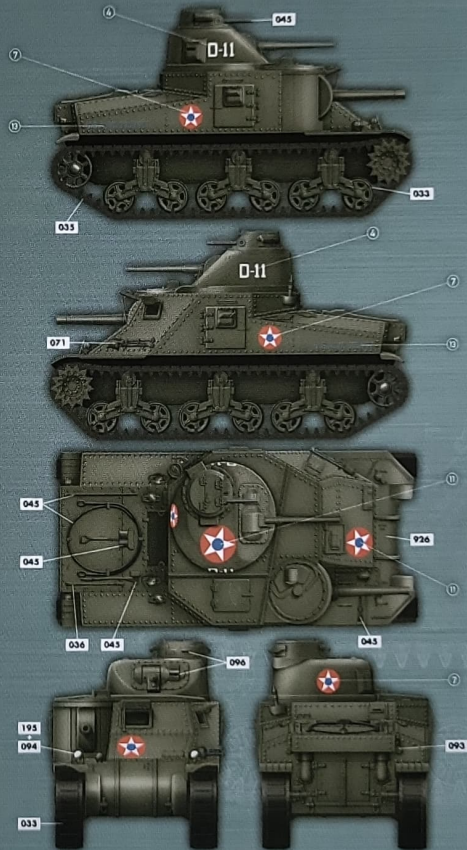
Color info and profiles by



## Painting and Marking Guide

A.MIG 033	Rubber & Tires	A.MIG 035	Dark Tracks	A.MIG 036	Old Wood	A.MIG 045	Gun Metal
A.MIG 071	Khaki	A.MIG 092	Crystal Red	A.MIG 094	Crystal Glass	A.MIG 096	Crystal Periscope Green
A.MIG 192	Silver	A.MIG 926	Olive Drab Base				

USA 2nd Armored Division, 1942.



# READ BEFORE ASSEMBLY

## CAUTION

- Read carefully and fully understand the instructions before commencing assembly. A supervising adult should also read the instructions if a child assembles the model.
- When assembling this kit, tools including knives used. Extra care should be taken to avoid personal injury.
- Keep out of reach of small children. Children must not be allowed to suck any part, or pull vinyl bag over their heads.



Do Not Cement



Remove



Optional



Be Careful



Drill



Instant Glue  
for Metal



Heating

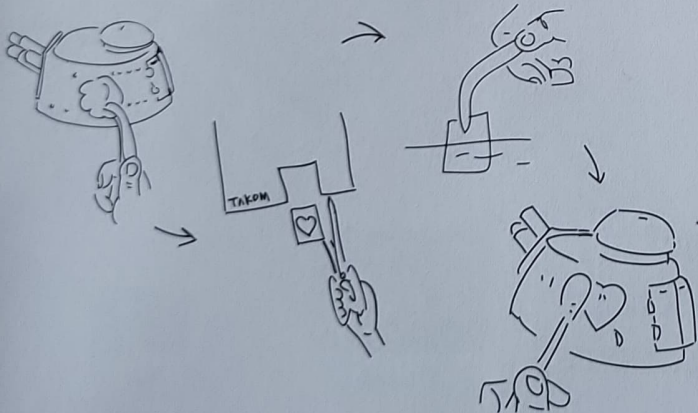
## PAINTS REQUIRED

Color info and profiles by Mig Jimenez

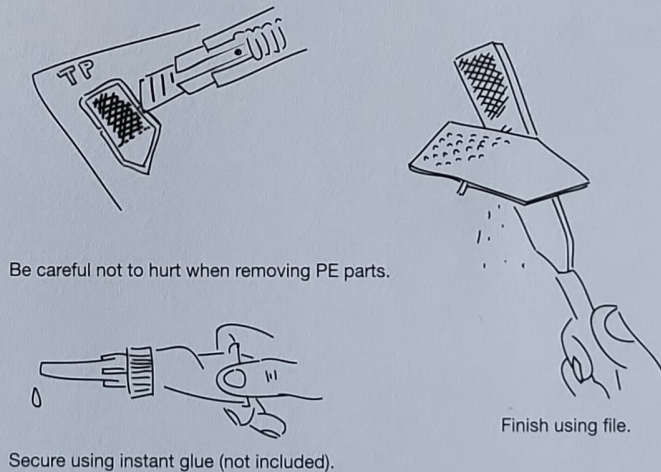
A.MIG 015	480 Russian Green	A.MIG 023	Rubber & Tires	A.MIG 025	Dark Tracks	A.MIG 035	Old Wood
A.MIG 071	Khaki	A.MIG 045	Gun Metal	A.MIG 048	Yellow	A.MIG 093	Crystal Red
A.MIG 098	Crystal Periscope Green	A.MIG 105	Silver	A.MIG 028	Olive Drab Base	A.MIG 094	Crystal Glass

## APPLYING DECALS

1. Clean the model surface with a wet cloth.
2. Cut out each decal design from sheet, and dip it in tepid water for 15~20 sec.
3. Hold the backing sheet edge and slide decal onto the model.
4. Move decal into position by wetting decal with finger.
5. Press decal gently down with a soft cloth until excess water and air bubbles are gone.



## REMOVING PE

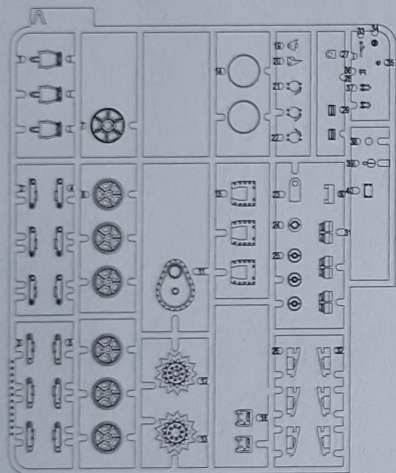


Be careful not to hurt when removing PE parts.

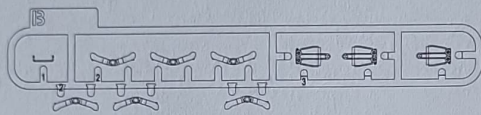
Secure using instant glue (not included).

Finish using file.

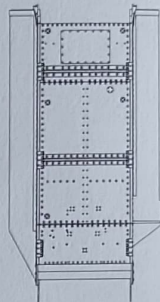
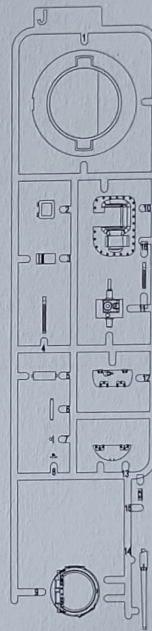
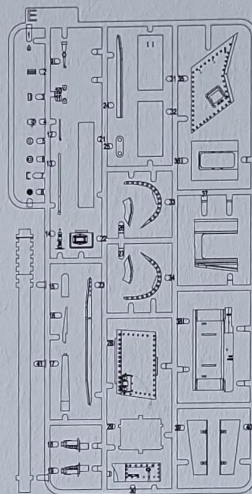
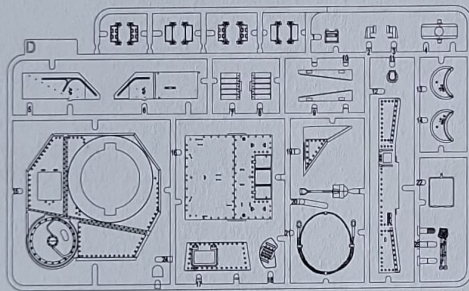
# PARTS



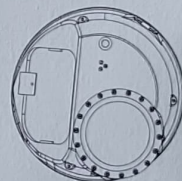
X2



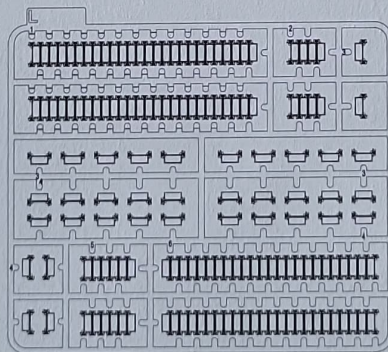
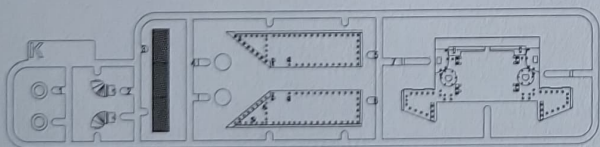
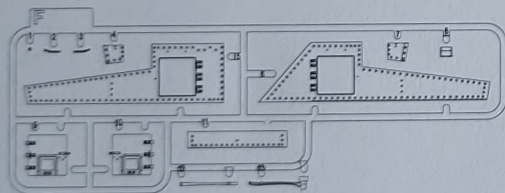
X2



Lower Hull



Turret



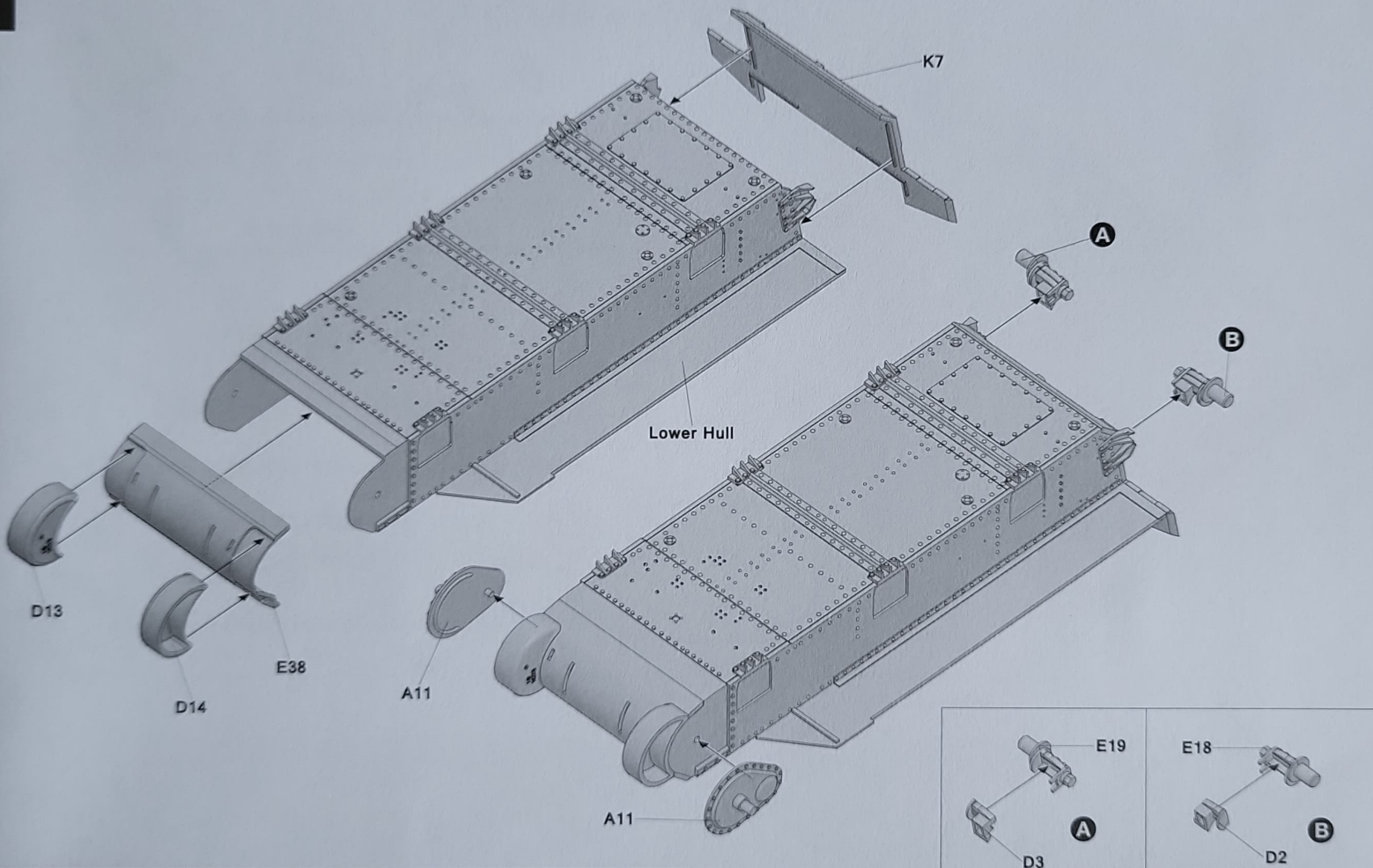
T

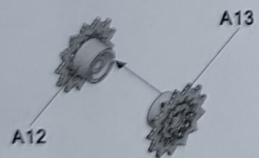
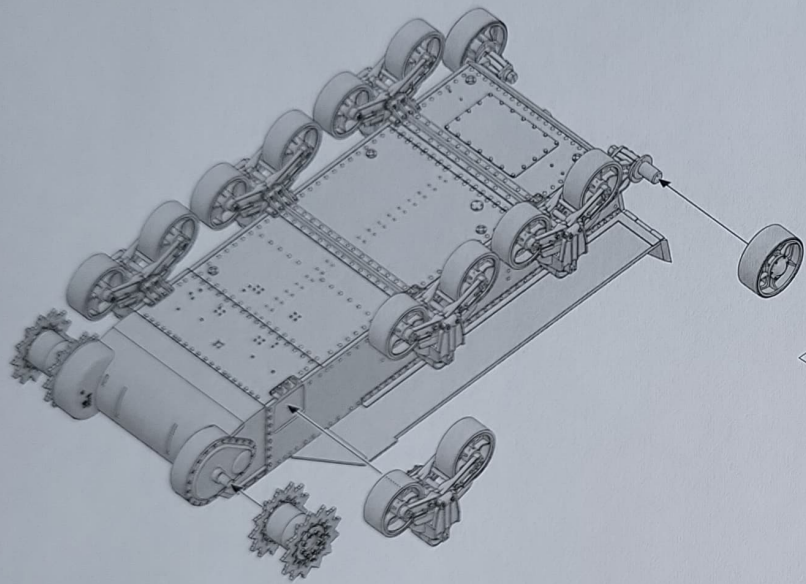


Decal

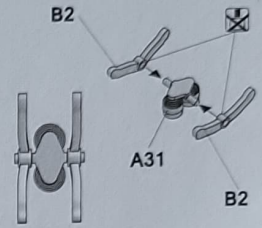
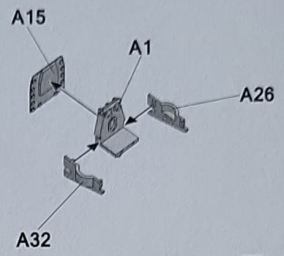
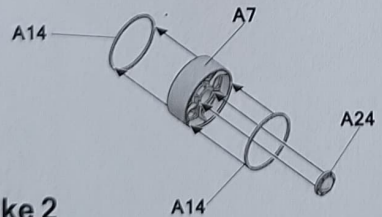


TP

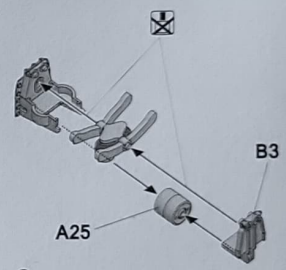
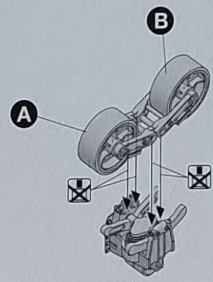




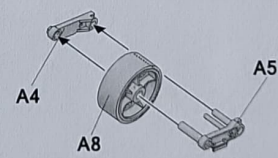
Make 2



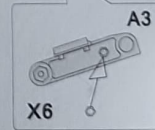
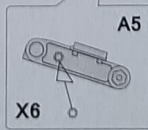
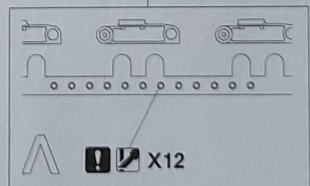
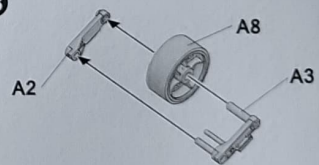
Make 6



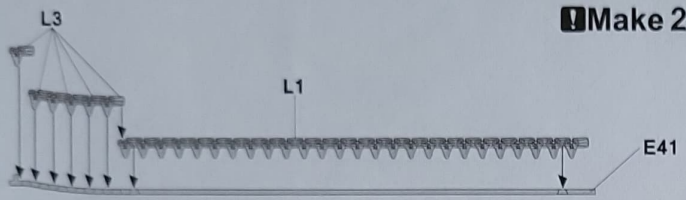
Make 6



A B

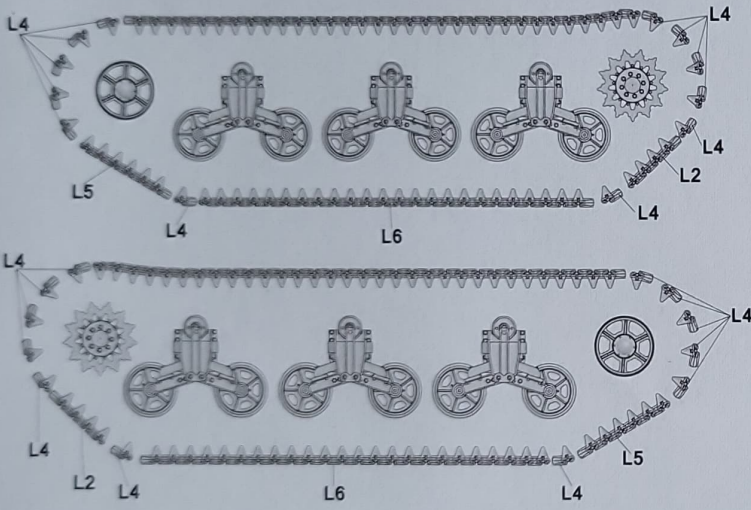
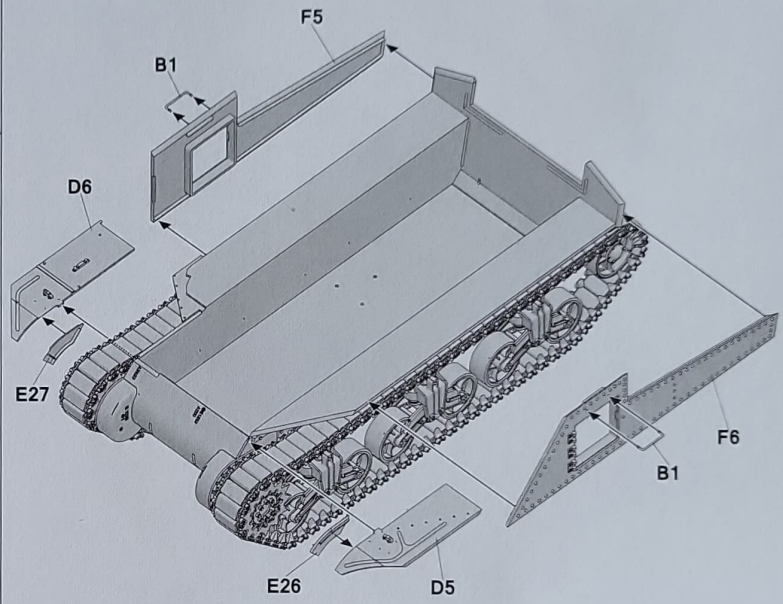


3

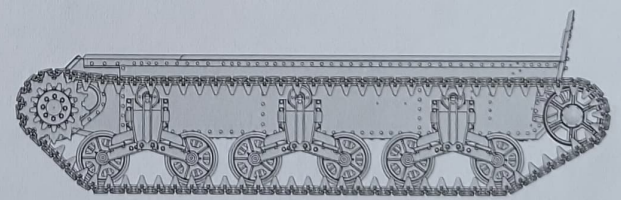
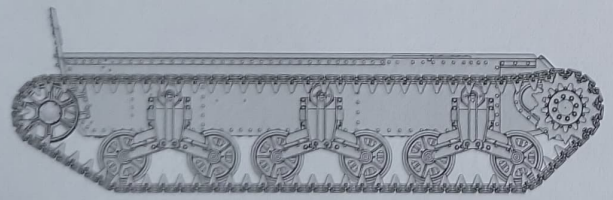


Make 2

5

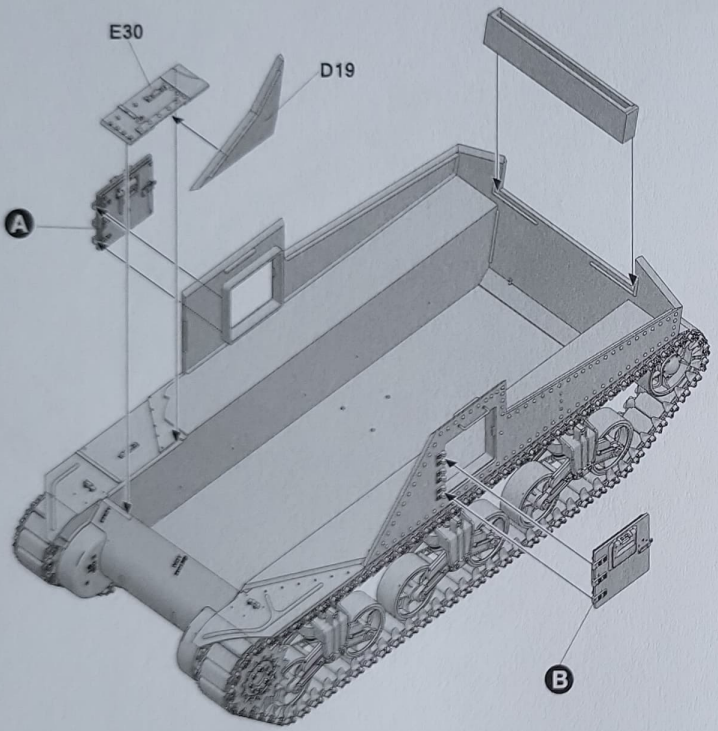


4

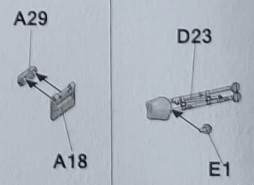
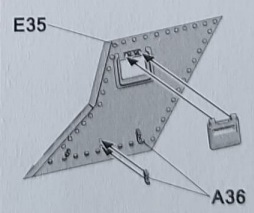
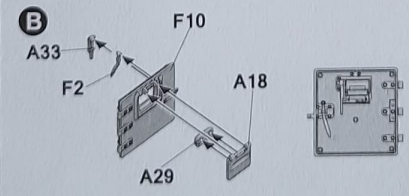
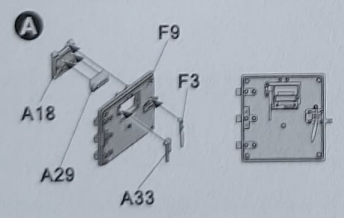
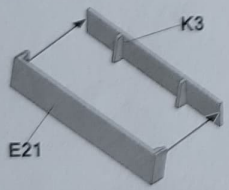
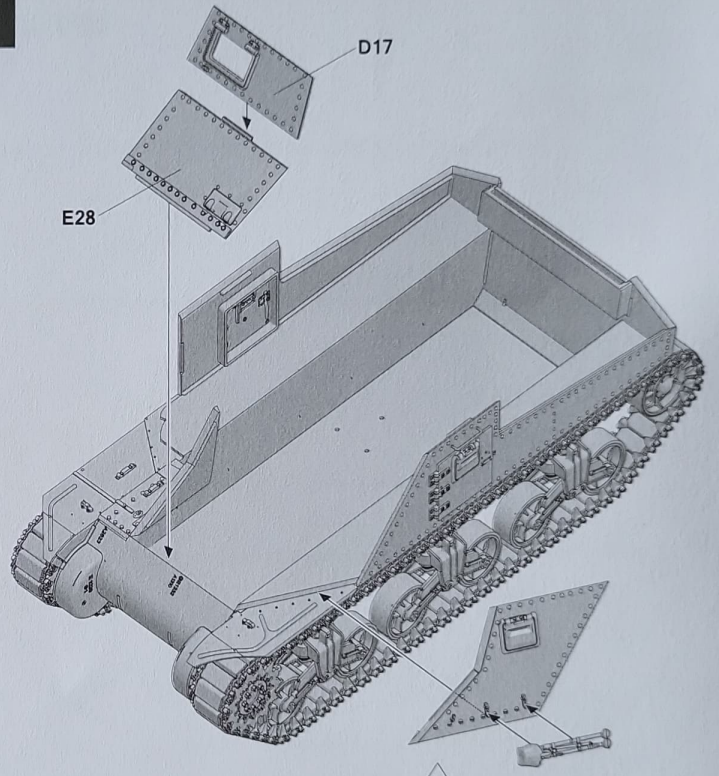


5

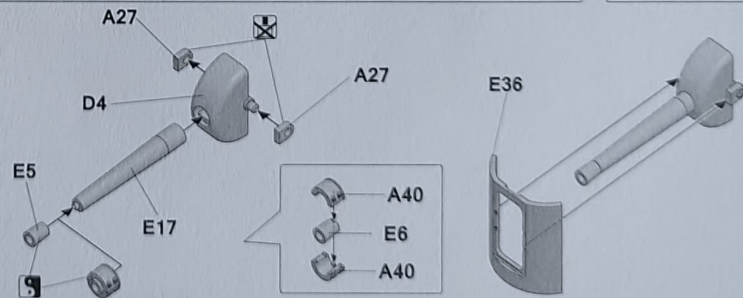
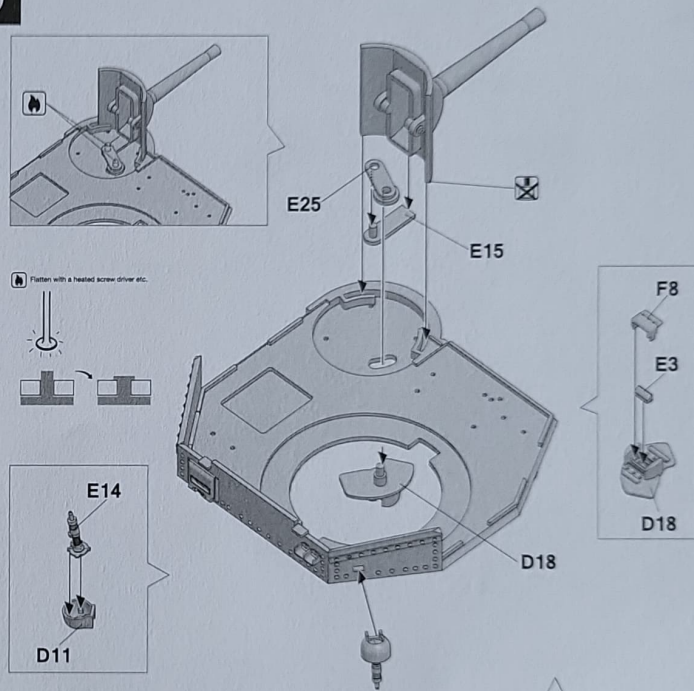
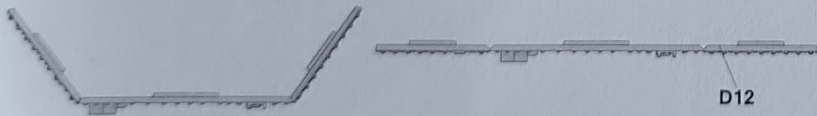
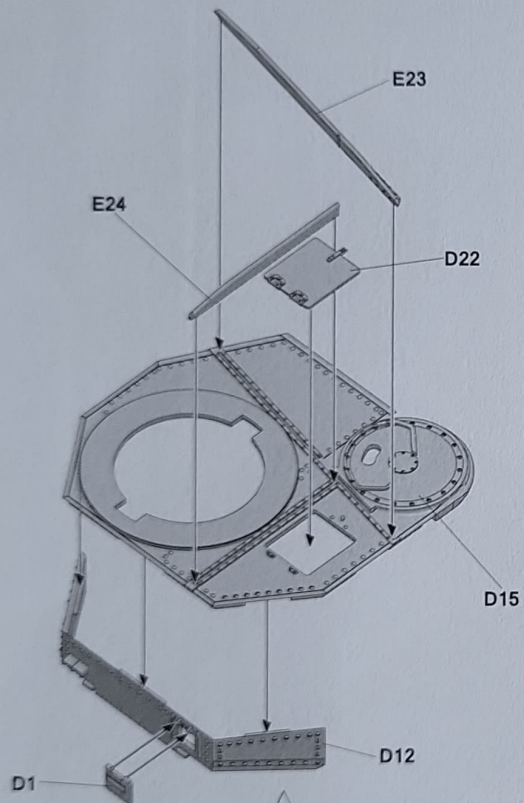
6



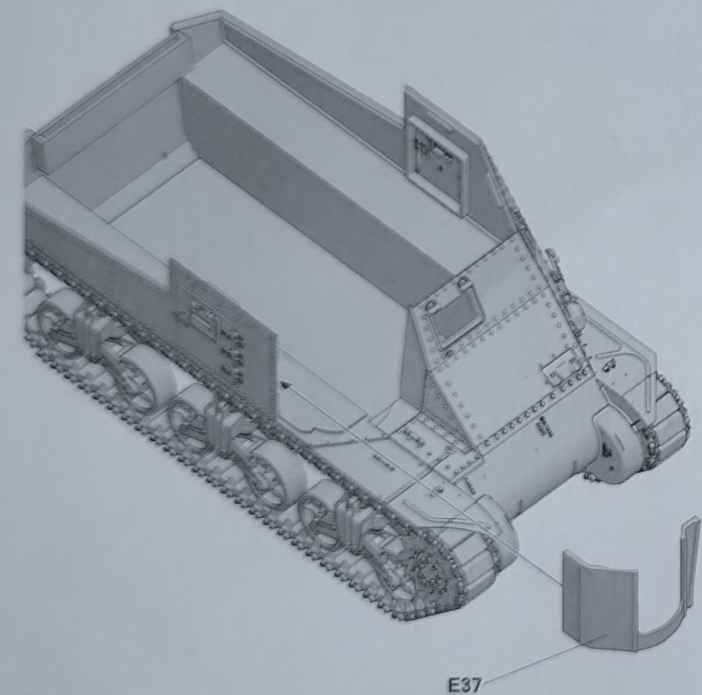
7



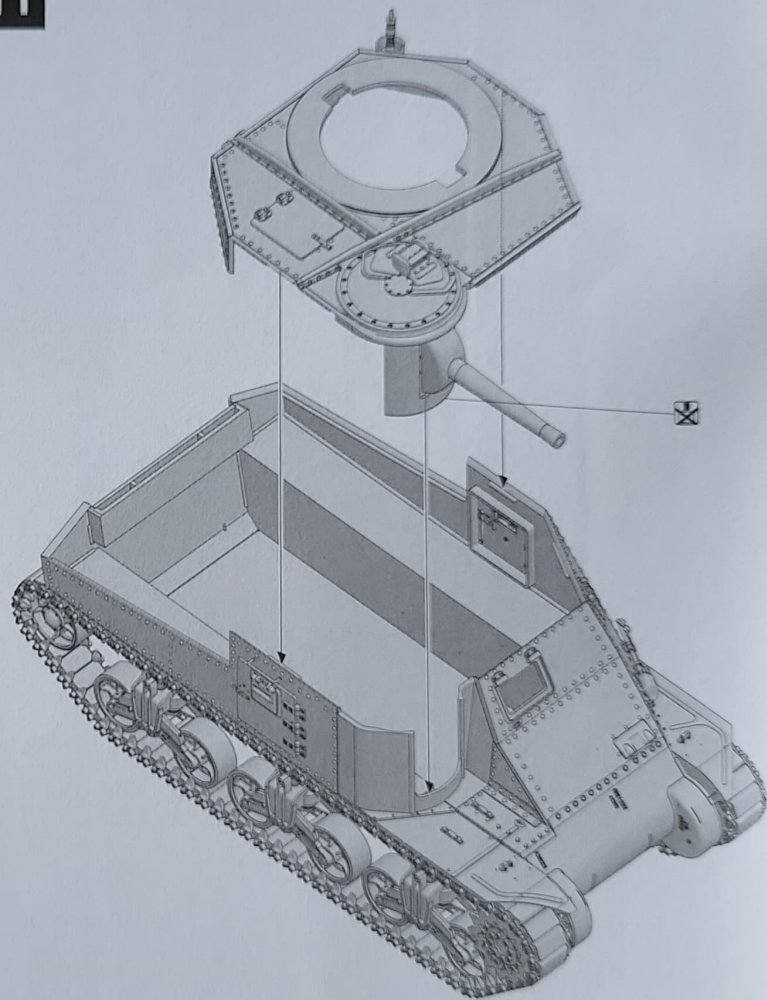


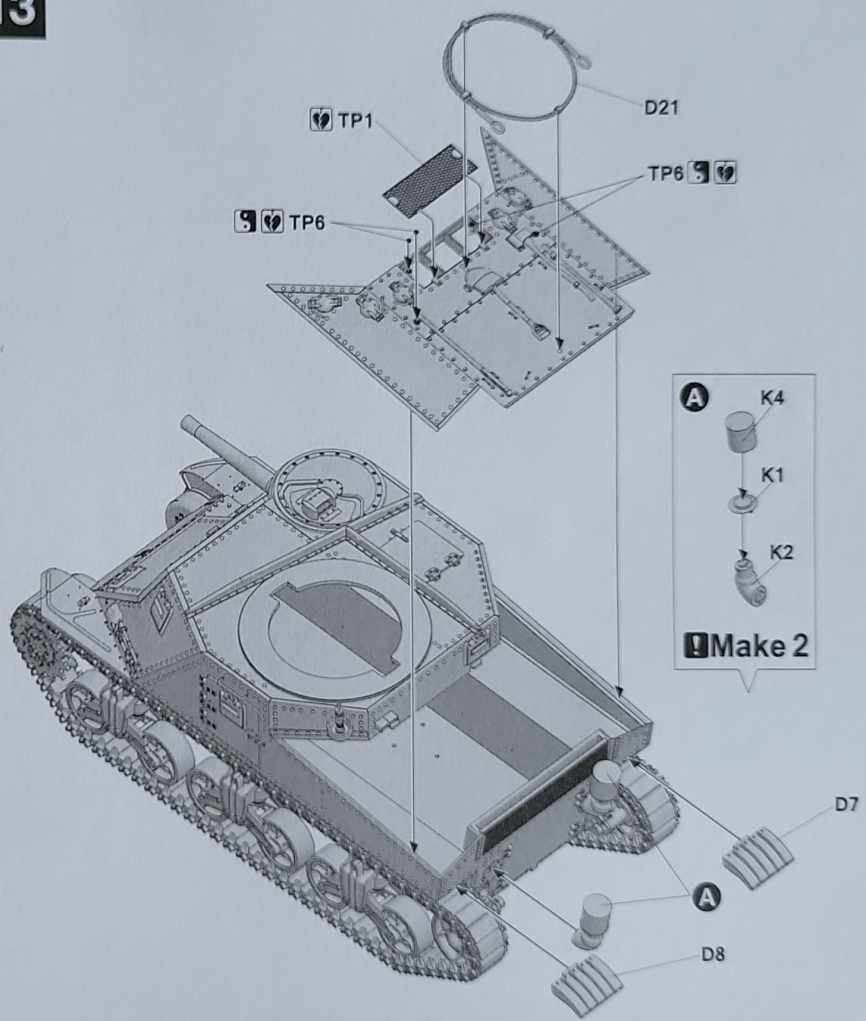
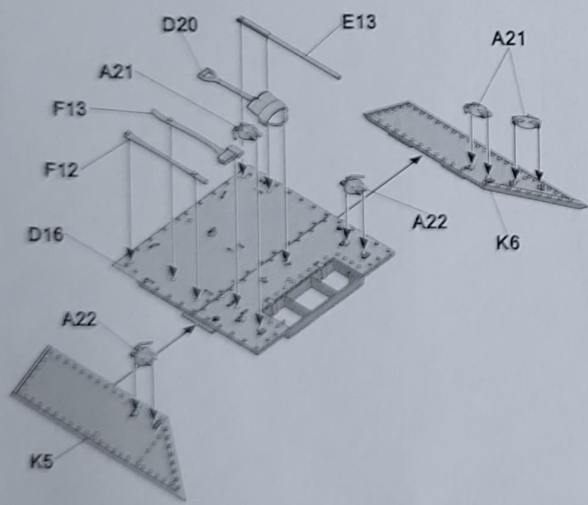
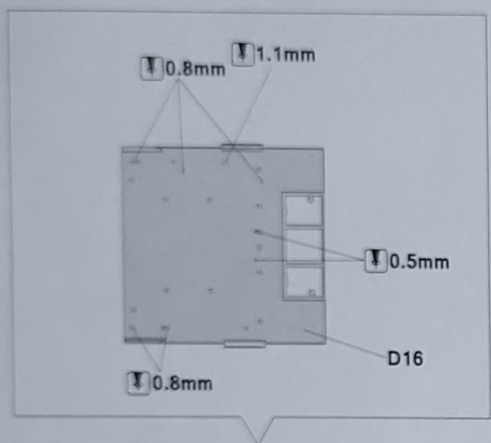


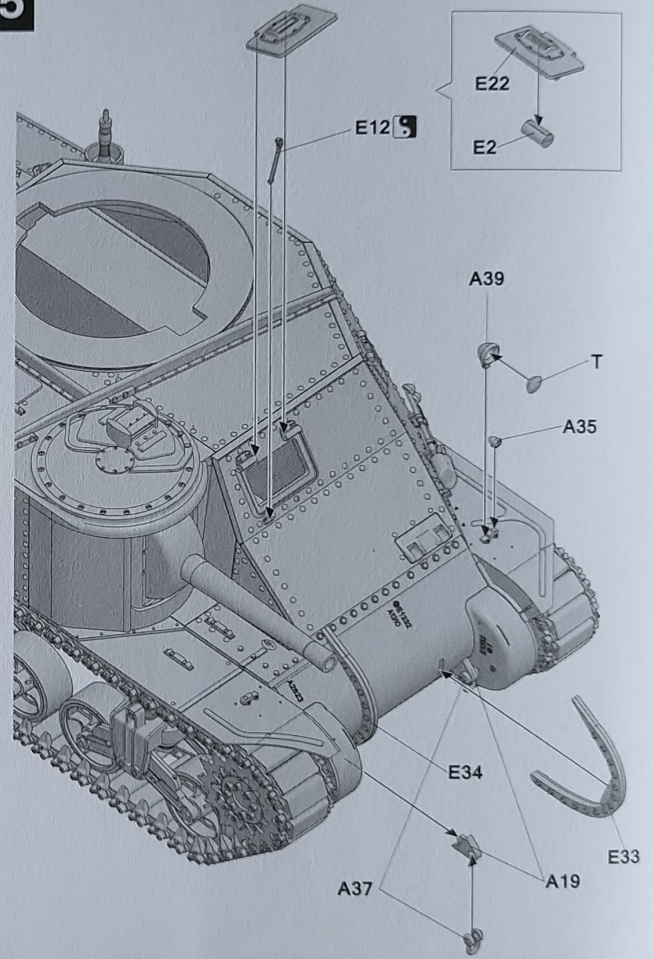
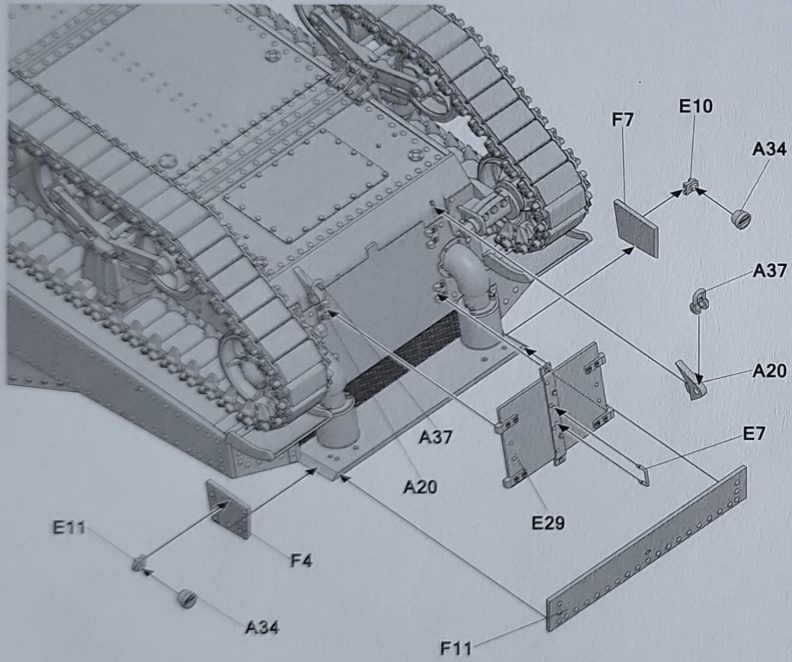
10

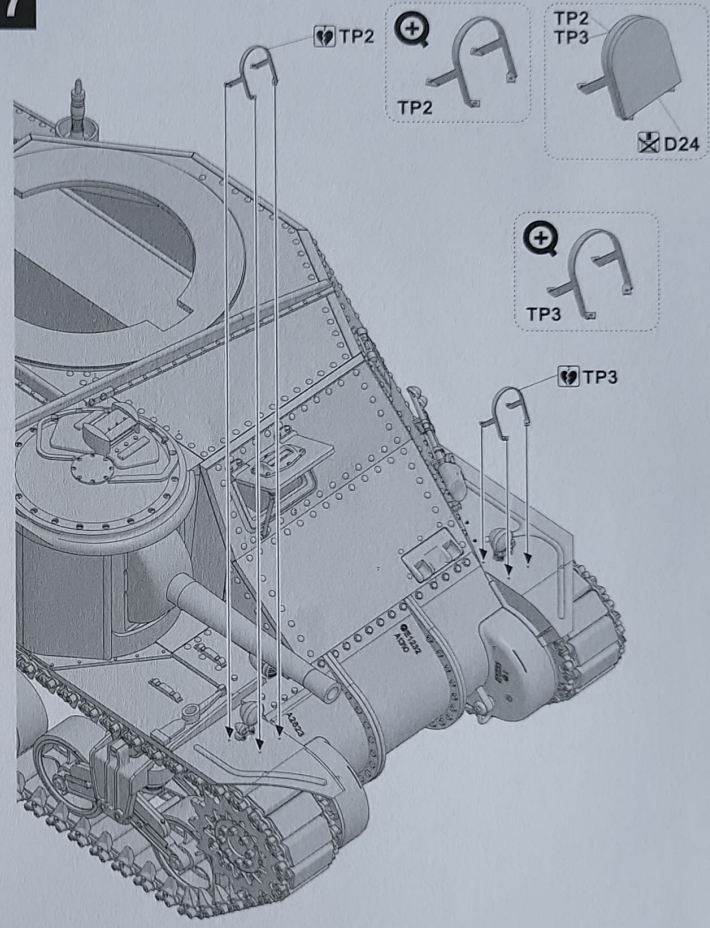
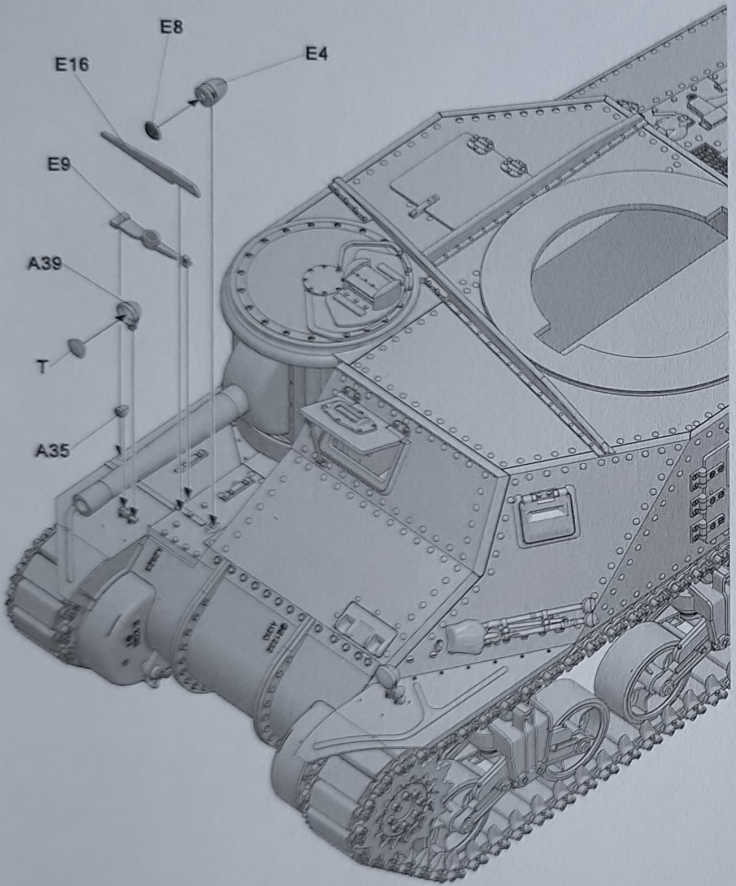


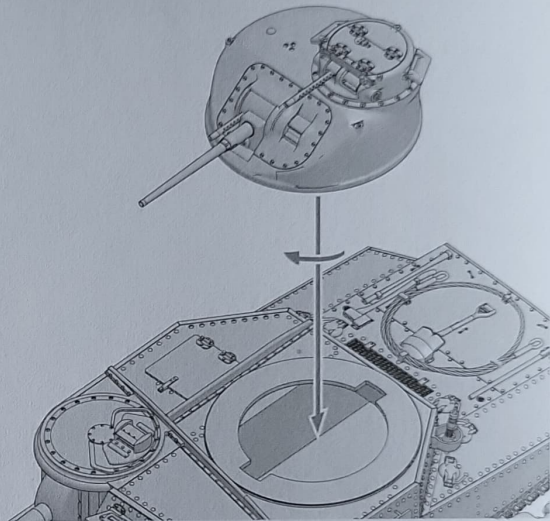
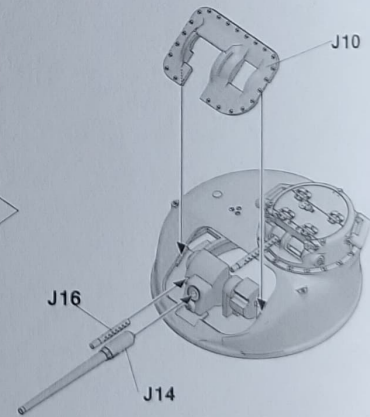
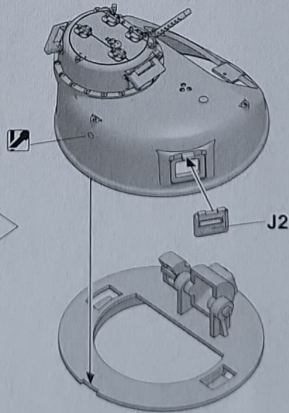
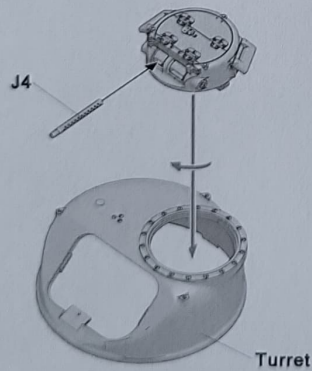
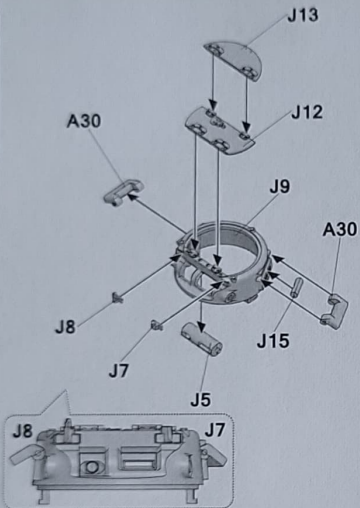
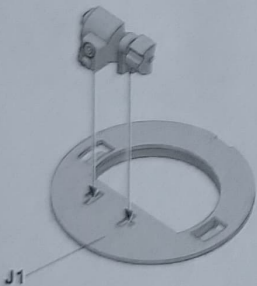
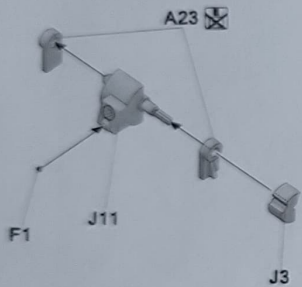
11











## Painting and Marking Guide

<b>A.MIG 033</b> Rubber & Tires	<b>A.MIG 035</b> Dark Tracks	<b>A.MIG 036</b> Old Wood	<b>A.MIG 045</b> Gun Metal
<b>A.MIG 071</b> Black	<b>A.MIG 093</b> Crystal Red	<b>A.MIG 094</b> Crystal Glass	<b>A.MIG 096</b> Crystal Periscope Green
<b>A.MIG 195</b> Silver	<b>A.MIG 048</b> Yellow	<b>A.MIG 926</b> Olive Drab Base	

Unknown training unit, Desert Warfare Center USA  
1942.



## Painting and Marking Guide

<b>A.MIG 033</b> Rubber & Tires	<b>A.MIG 035</b> Dark Tracks	<b>A.MIG 036</b> Old Wood	<b>A.MIG 045</b> Gun Metal
<b>A.MIG 071</b> Black	<b>A.MIG 093</b> Crystal Red	<b>A.MIG 094</b> Crystal Glass	<b>A.MIG 096</b> Crystal Periscope Green
<b>A.MIG 195</b> Silver	<b>A.MIG 048</b> Yellow	<b>A.MIG 926</b> Olive Drab Base	

Unknown training unit, Desert Warfare Center USA  
1942.

