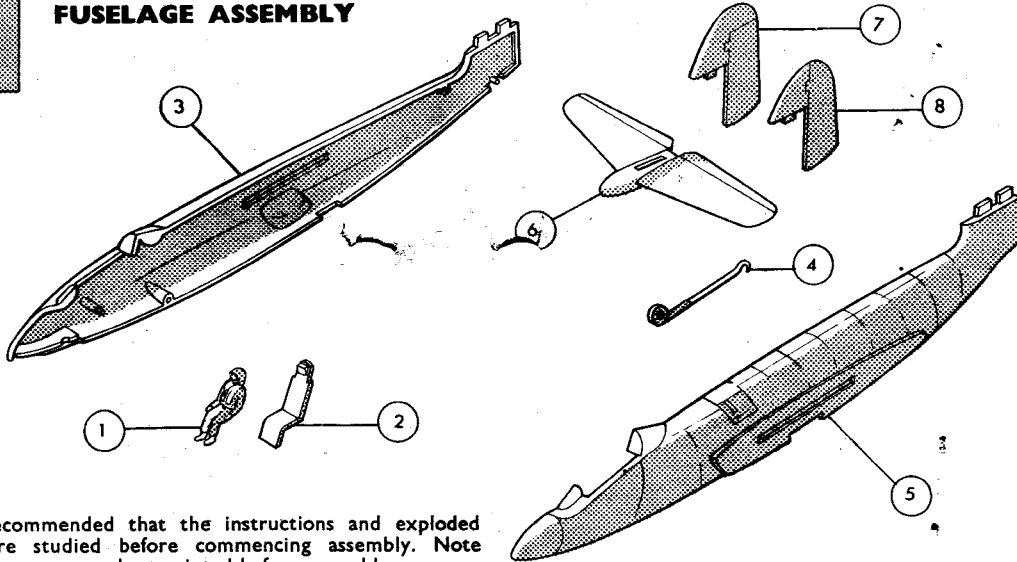


SEA HAWK

INSTRUCTIONS

PAINT ALL DETAILS AND LET DRY BEFORE ASSEMBLING (SEE SECTION 4)
N.B. FOR PAINTING USE "AIRFIX" PAINTS, FOR FIXING USE "AIRFIX" POLYSTYRENE CEMENT

1 FUSELAGE ASSEMBLY



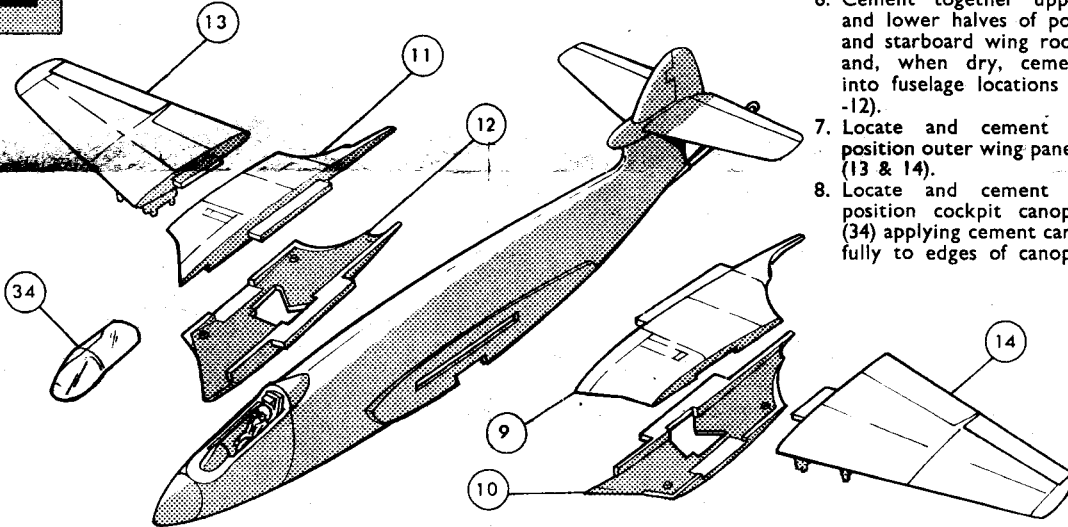
It is recommended that the instructions and exploded view are studied before commencing assembly. Note that some parts are best painted before assembly.

1. Cement pilot (1) to seat (2) after first painting if required.
2. Cement seat onto location in starboard fuselage half (3) and position arrester hook (4) on locating pivot in rear of starboard fuselage half.
3. Cement together port (5) and starboard fuselage halves,

ensuring no cement comes into contact with working arrester hook.

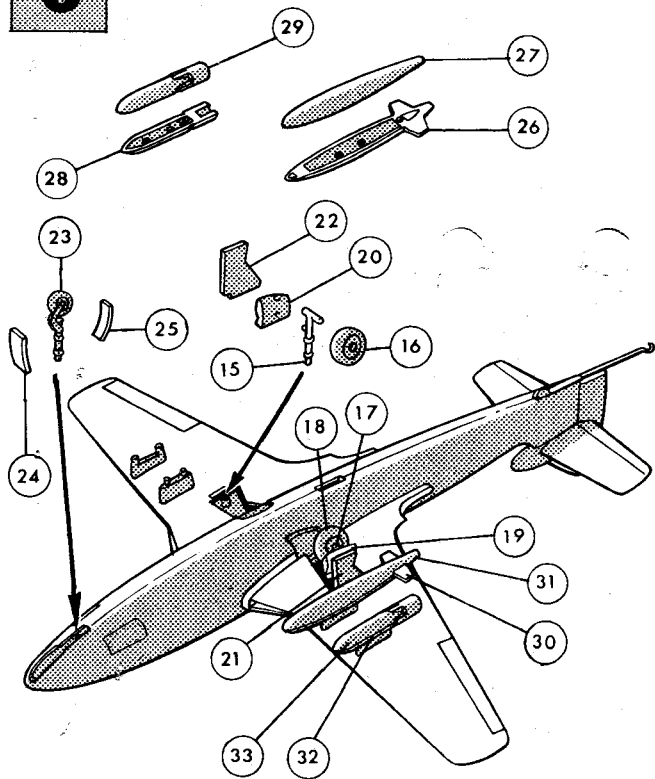
4. Locate and cement tailplane (6) to rear fuselage.
5. Select either the German (7), or the British (8) fin and rudder and cement in position.

2 WING ASSEMBLY



6. Cement together upper and lower halves of port and starboard wing roots and, when dry, cement into fuselage locations (9-12).
7. Locate and cement in position outer wing panels (13 & 14).
8. Locate and cement in position cockpit canopy, (34) applying cement carefully to edges of canopy.

UNDERCARRIAGE ASSEMBLY



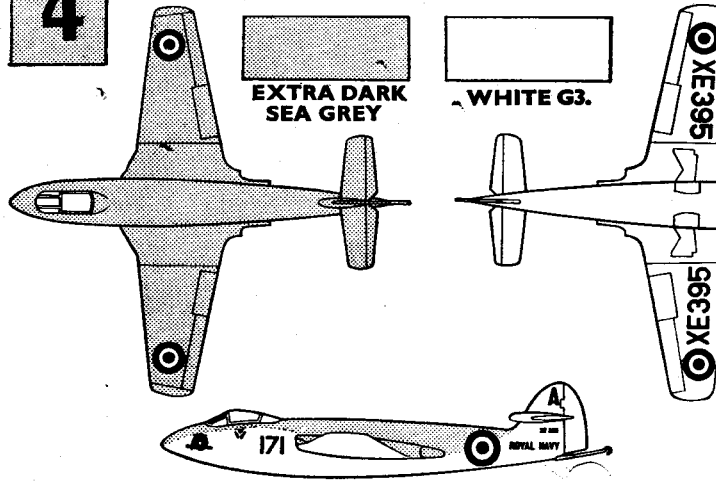
The desired undercarriage position should now be selected.

9. If the model is desired to stand upon the undercarriage the wheels (16 & 18) should now be cemented to the main undercarriage legs (15 & 17) and the legs cemented into the locating bushes within the wheel wells. For a model in flying position these parts should be discarded.
10. The inner undercarriage doors (19 & 20) should now be positioned, for a model with extended undercarriage, they should be cemented to the projecting pins on the undercarriage legs, and for a flying position cemented directly into the fuselage recess.
11. Similarly the outboard undercarriage doors (21 & 22) should be located, either cemented into the ends of the undercarriage well, or for a retracted undercarriage cemented straight into the wing opening, to lay flush with the wing.
12. The nose wheel undercarriage (23) is cemented into the locating hole in the nose recess, or omitted for the model with retracted undercarriage.
13. Locate and cement the nose wheel doors, (24 & 25) the front vertically down from the front of the recess, and the rear angled back from the rear; for a flying position cement both doors flush with fuselage.
14. Locate and cement together upper and lower halves of drop tanks and bombs (26-33), and, when dry, cement to underwing pylons, the drop tanks inboard and the bombs outboard.
15. Cement together both parts of stand.
16. Cement arm of stand into slot provided in fuselage. If the stand is not employed the model can be made to assume its correct position by lowering the arrester hook to the ground.

NOTE:—If it is wished to paint the model, it should be done at this stage.

4

SUGGESTED COLOUR SCHEME



EXTRA DARK SEA GREY

WHITE G3.

According to version you wish to model, read notes below, paint and then apply transfers. Separate sheet into required number of subjects, dip each into warm water and slide off backing into position shown on illustration.

BRITISH NAVAL VERSION

The roundels are applied above and below each wing and on either side of the rear fuselage. The "Royal Navy" transfers are applied to the fuselage sides directly behind roundels with the small serial numbers immediately above.

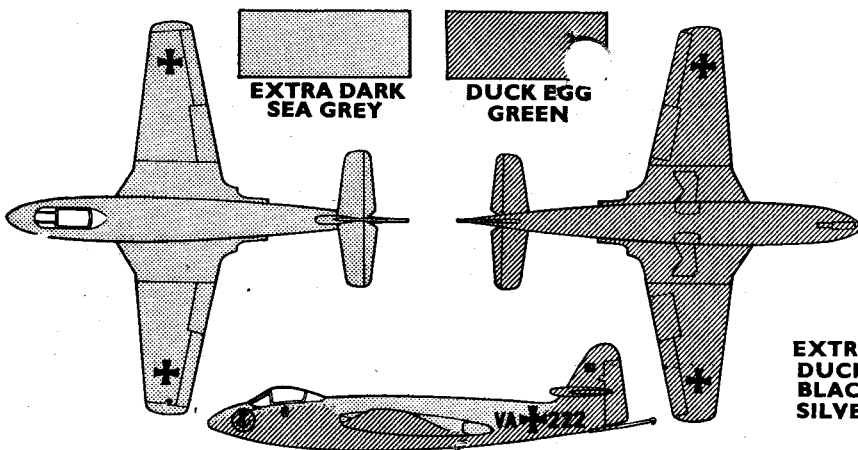
The letters "A" are applied to either side of the fin, and the figures "171" to either side of the fuselage, behind the cockpit. The ejector seat warning triangles are applied directly beneath the cockpit and the squadron tiger badge to either side of the nose. The large serial numbers are applied beneath the wings, so as to be read from the rear beneath the starboard wing, and from the front, beneath the port; note that it is necessary to separate the figure "5", so as to fit between the bomb and tank pylons. The aircraft name is applied to the transparent base.

EXTRA DARK SEA GREY. All upper surfaces.

WHITE G3. All under surfaces.

BLACK M6. Bombs, tyres, jet orifices.

SILVER G8. Undercarriage legs.



EXTRA DARK SEA GREY

DUCK EGG GREEN

WEST GERMAN VERSION.

The national crosses are applied above and below each wing, and the markings with the identification numbers to the rear fuselage sides. The ejector seat warning triangles are applied beneath the cockpit and the anchor insignia on either side of the nose. The fin flashes are applied on either side of the fin, black uppermost. The aircraft name is applied to the transparent base.

EXTRA DARK SEA GREY. All upper surfaces.

DUCK EGG GREEN. All under surfaces.

BLACK M6. Bombs, tyres, jet orifices.

SILVER G8. Undercarriage legs.