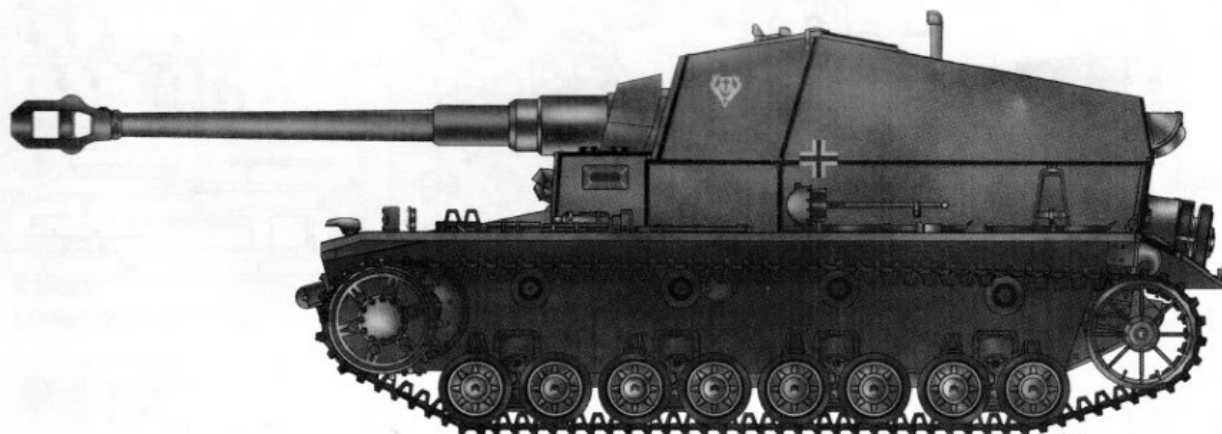


German Pz.Sfl.IVa "Dicker Max"

德国IVa型"迪克·马克斯"自行火炮



READ BEFORE ASSEMBLY:

- This kit is not recommended for inexperienced modelers or for children under 14 years of age
- Study and understand these instructions thoroughly before beginning assembly
- When needed, remove photo-etch parts carefully using a modeling knife or photo etch sprue cutter, being careful not to damage or lose small parts.
- Take extra care in handling photo etch parts in order to avoid injury
- Apply instant cement sparingly to photo etch parts where instructed
- Tools recommended(not included in kit):Plastic and instant cements,sprue cutters,long nose pliers,,modeling knife, small files, tweezers, pin vise & scissors. Soft cloth and sandpaper will also assist in construction
- Glue and paint are not included in the kit. Use plastic cement and hobby paints only. Color guide for purchasing paint is included in the kit.
- Keep out of reach of children. They must not be allowed to ingest small parts or handle plastic bags in any way.

装配之前仔细阅读

- 小心用模型锉刀锉平所有零件表面的注射浇口。
- 小心用刀片切下蚀刻片零件，不要遗失小零件。
- 用强力快干胶水粘合蚀刻片零件和金属轴。过量的快干胶水使用可能导致可动零件会粘住，小心涂胶。
- 取蚀刻片时应特别注意安全，防止利边划伤手指。
- 某些零件表面需贴水上贴纸，请选择在装配的同时进行。
- 推荐模型工具(自备)：胶水，水口剪刀，长咀钳，刀片，锉刀，镊子，钳，钻，剪刀，瞬间快干胶。
- 软布同砂纸同时也应该是必备工具。
- 请使用塑料胶水和油漆，模型内不含。
- 谨防小孩吸吮塑料零件，或者将塑料袋套在头上，制作时应将套材远离小孩接触。
- 本产品不适合14岁以下没有经验的模型爱好者。



贴纸
Decal



锉平
File / Sand



选择
Option



不涂胶水
No cement



弯曲
Bend



使用强力胶
Cyanoacrylate glue



配重
Weight



钻孔
Make hole



切除
Cut / Remove

水贴纸的使用:

1. 从水贴上剪下印花;
2. 将印花放入温水中浸10秒, 然后放在干净布上。
3. 拿着印花纸板将印花移到模型上;
4. 手指蘸水将印花移到适当的位置;
5. 用软布轻压印花直至水干, 气泡消失。

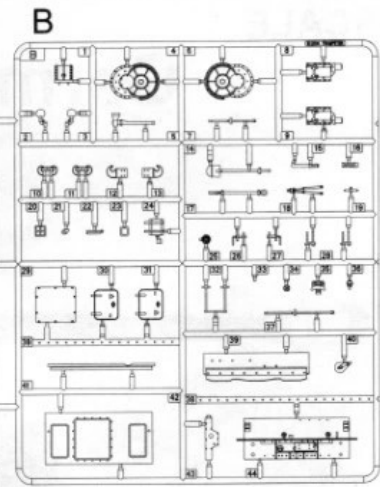
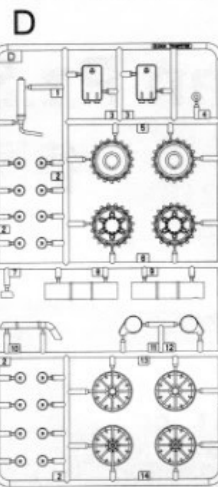
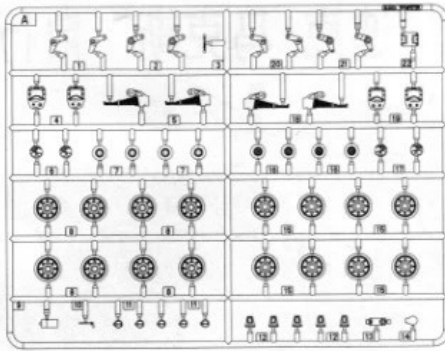
DECAL APPLICATION

1. Cut off decal from sheet.
2. Dip the decal in tepid water 40°C for about 10 sec. and place on a clean cloth.
3. Hold the backing sheet edge and slide decal onto the model.
4. Move decal into position by wetting decal with finger.
5. Press decal gently down with a soft cloth until excess water and air bubbles are gone.
6. Allow decal to dry completely before handling model.

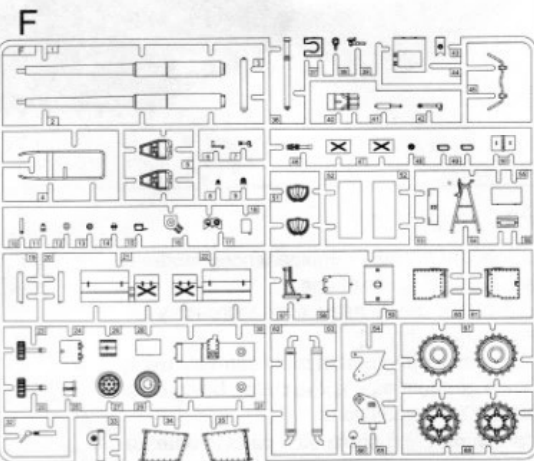
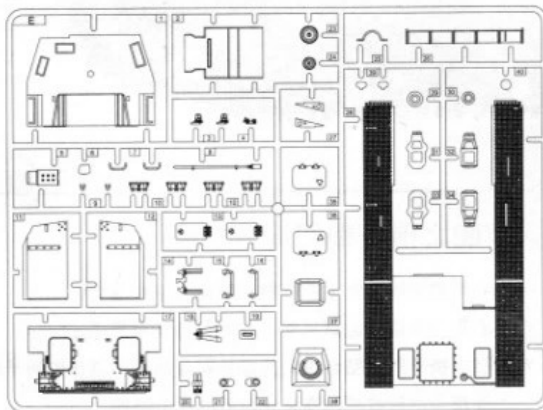
部品图

Parts

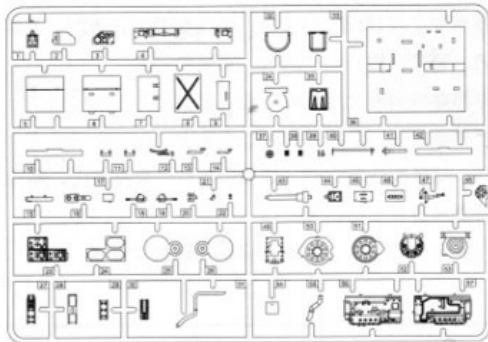
AX2



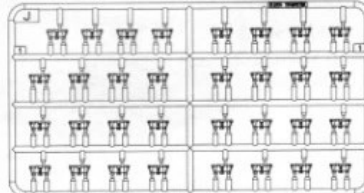
E



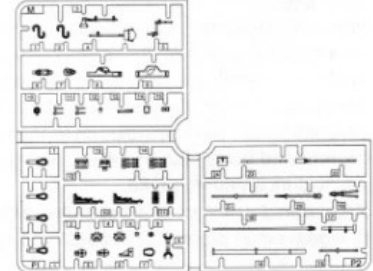
L



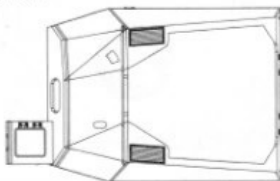
JX8



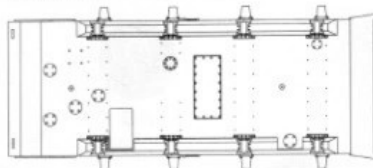
M.P1.P2



<<炮塔>>
Turret hull



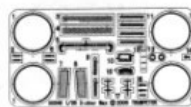
<<车底>>
Lower hull



<<水贴>>
Decal



<<蚀刻片>>
Photo etched part(PE)



<<铜线>> Ø0.8x250mm
Brass Wire

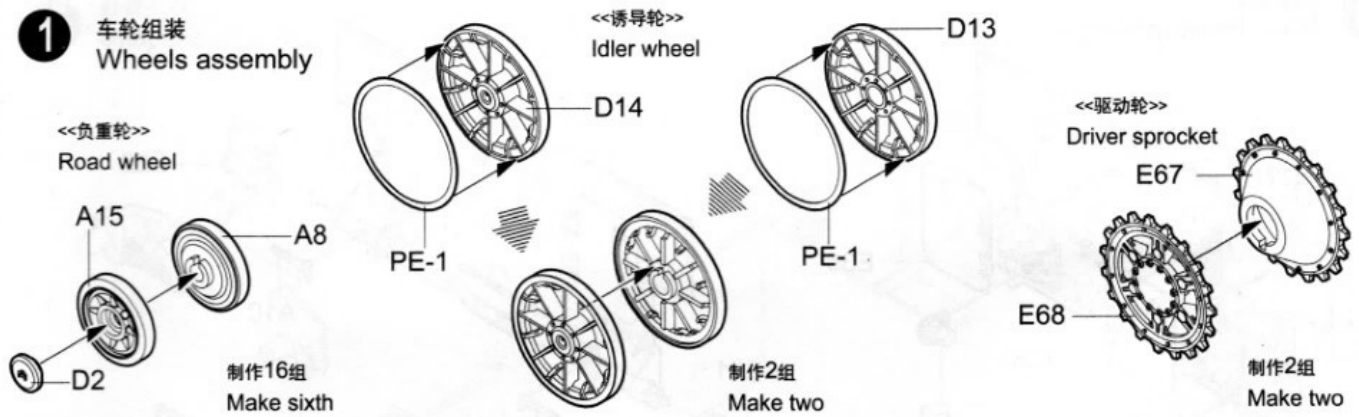


<<履带>>x2
TrackX2

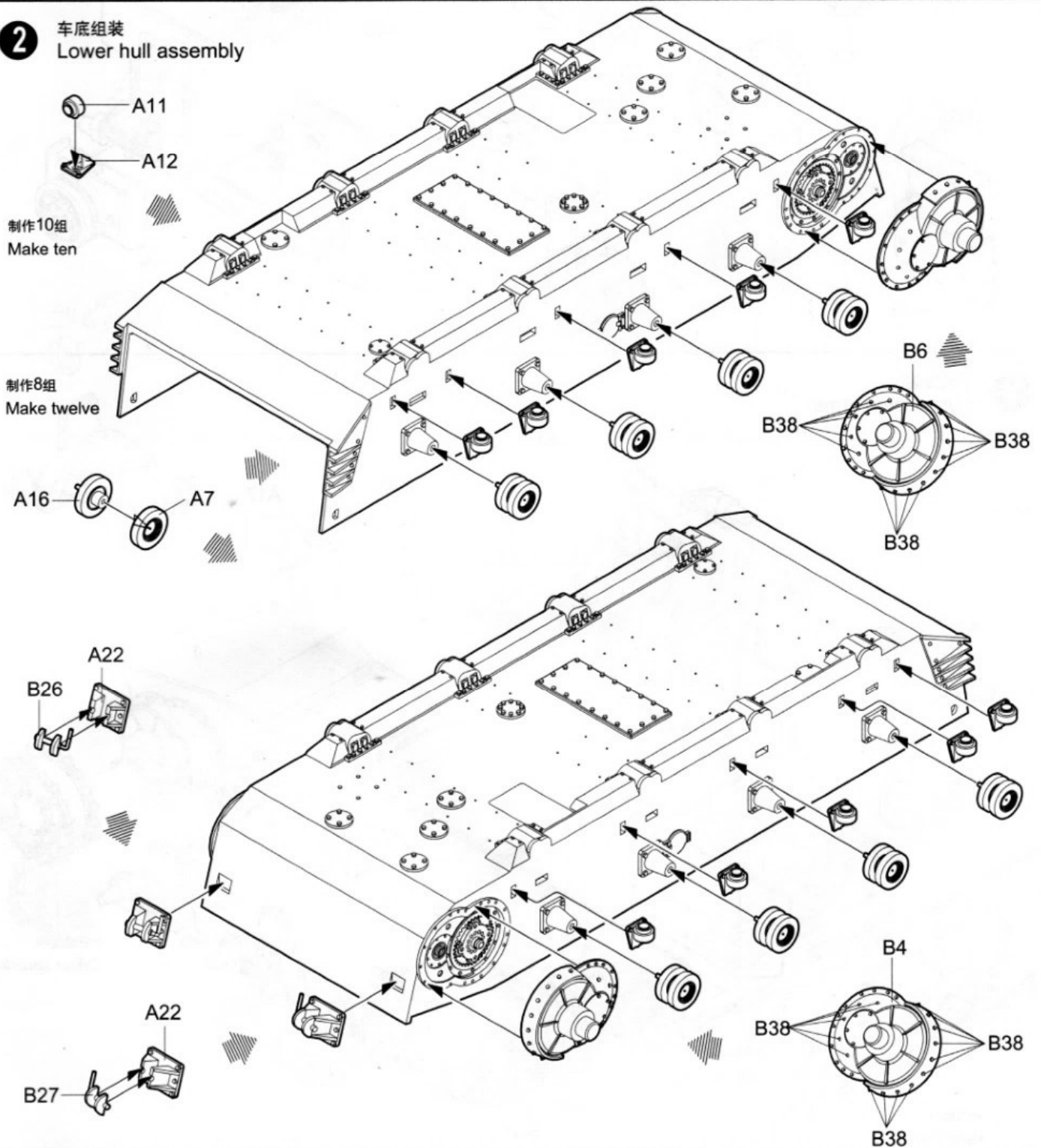


不用部品: A9,A13,A14,B1,B2,B3,B7,B8,B9,B10,B11,B15,B16,B20,B21,B22,B23,B24,B28,B30,B31,B32,B39,
No used parts B40,B41,B42,B43,B44,D1,D3,D4,D5,D6,D7,D8,D9,D10,D11,D12,L5,L6,L7,L8,L15,F10,P16,P17,
P18,P22,P23.

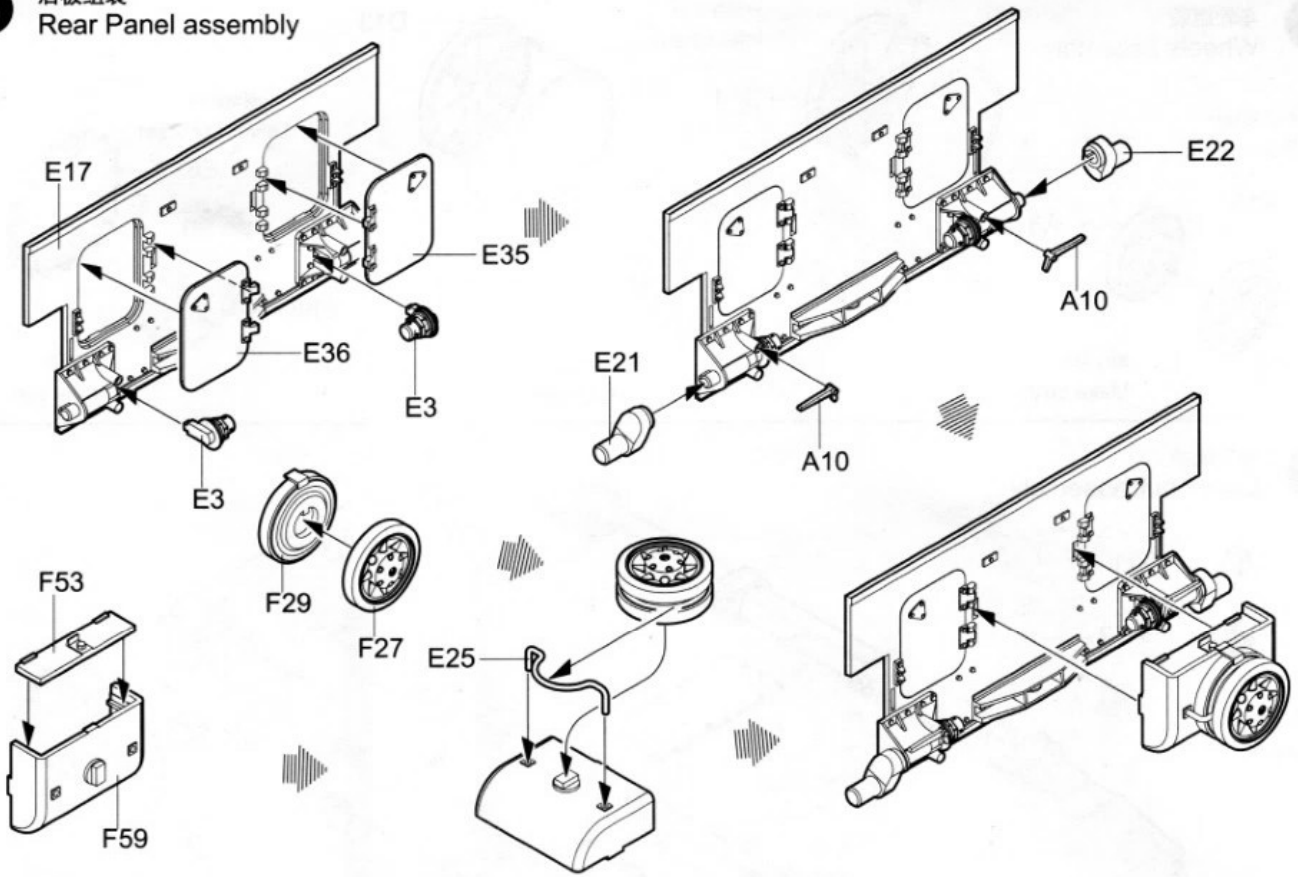
1 车轮组装
Wheels assembly



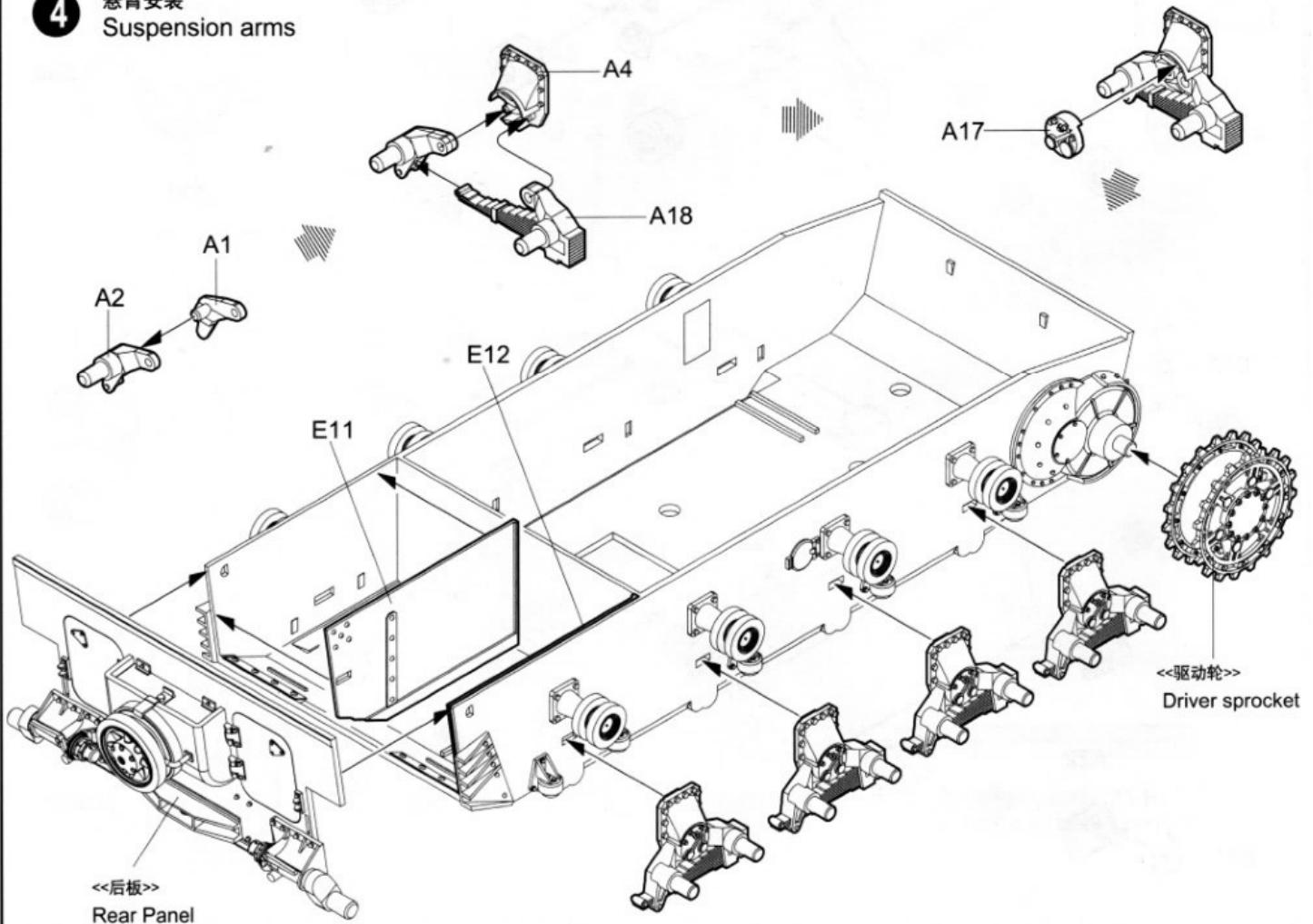
2 车底组装
Lower hull assembly



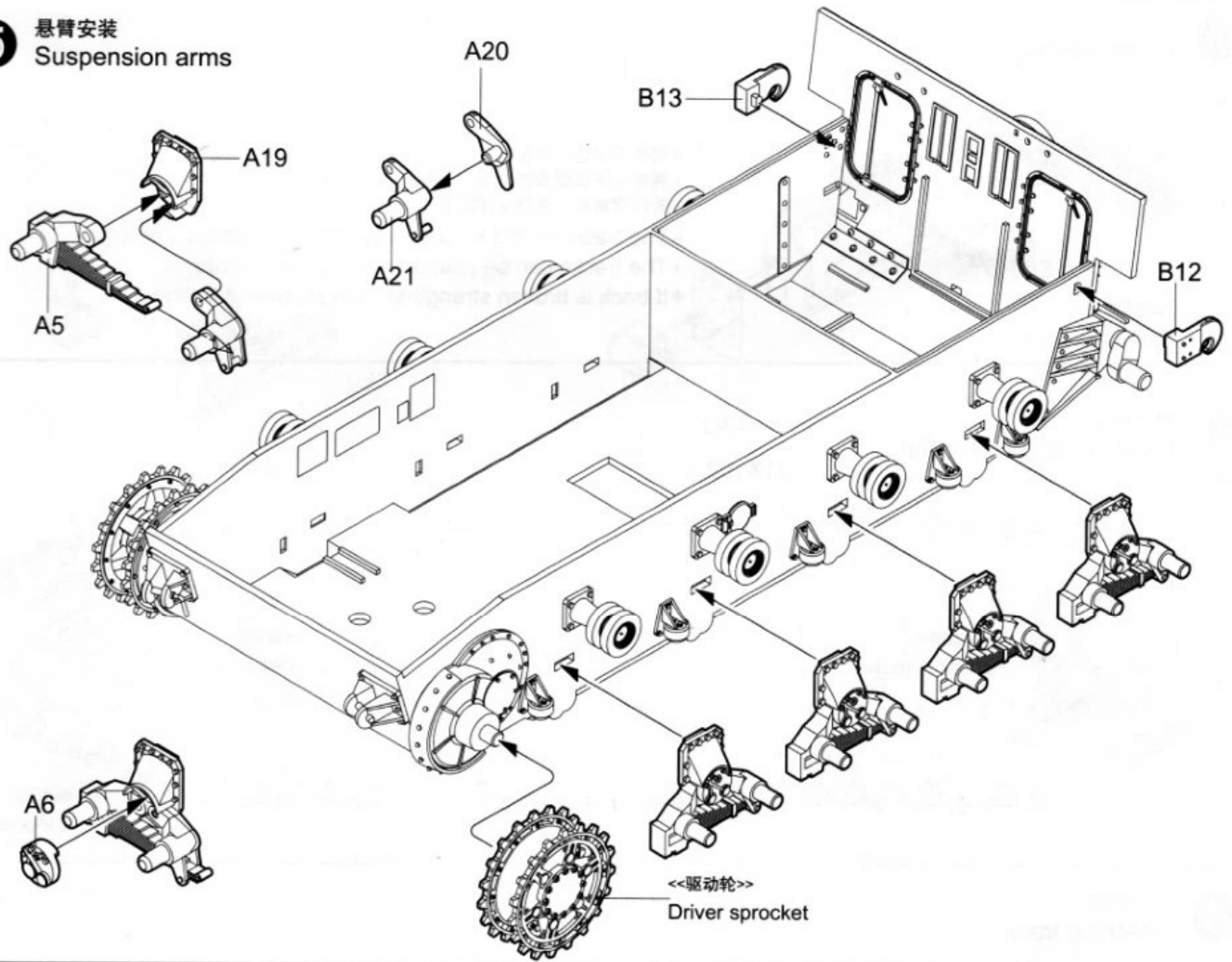
3 后板组装
Rear Panel assembly



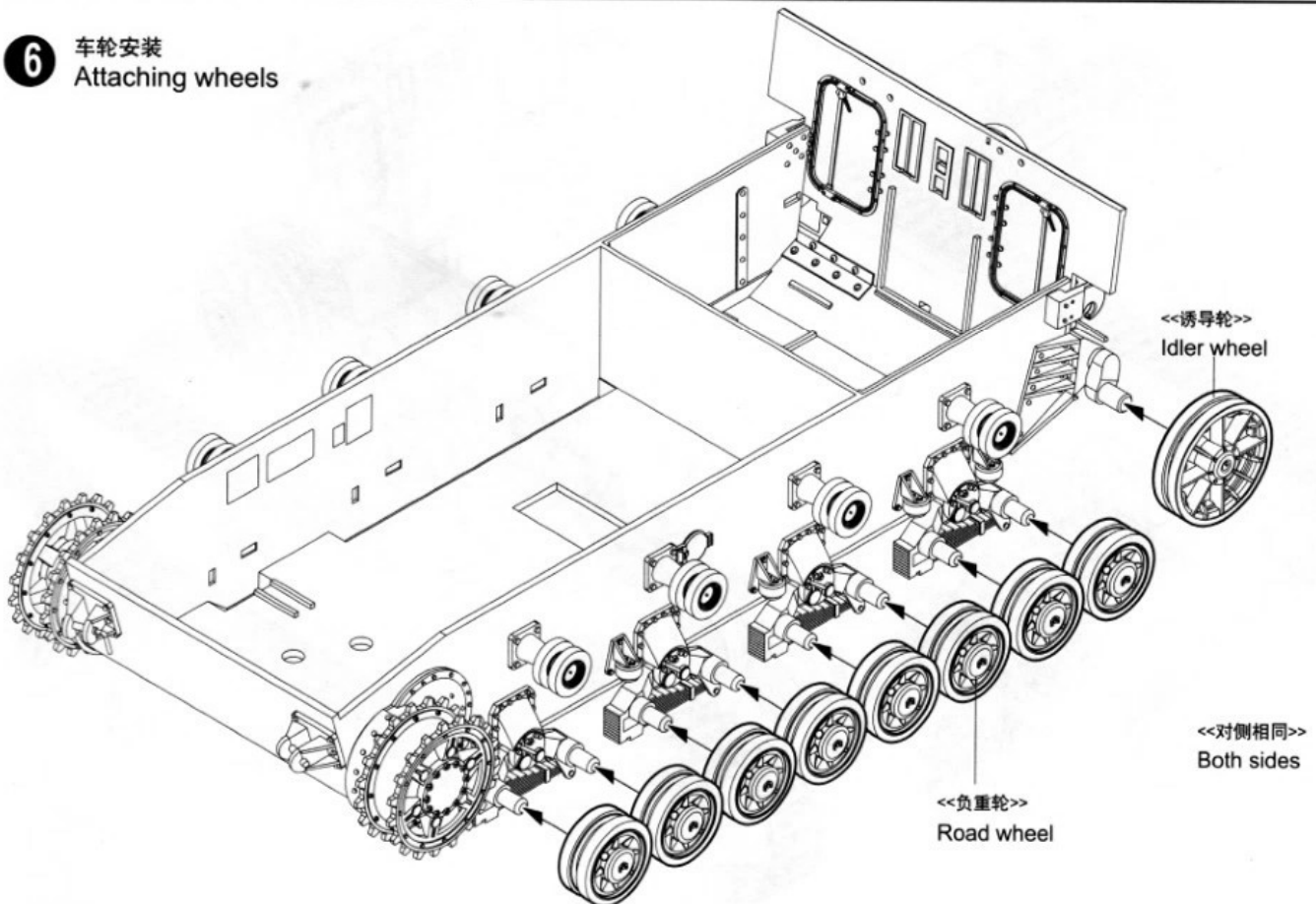
4 悬臂安装
Suspension arms



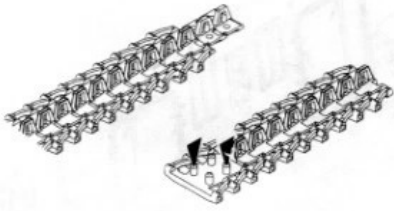
5 悬臂安装
Suspension arms



6 车轮安装
Attaching wheels



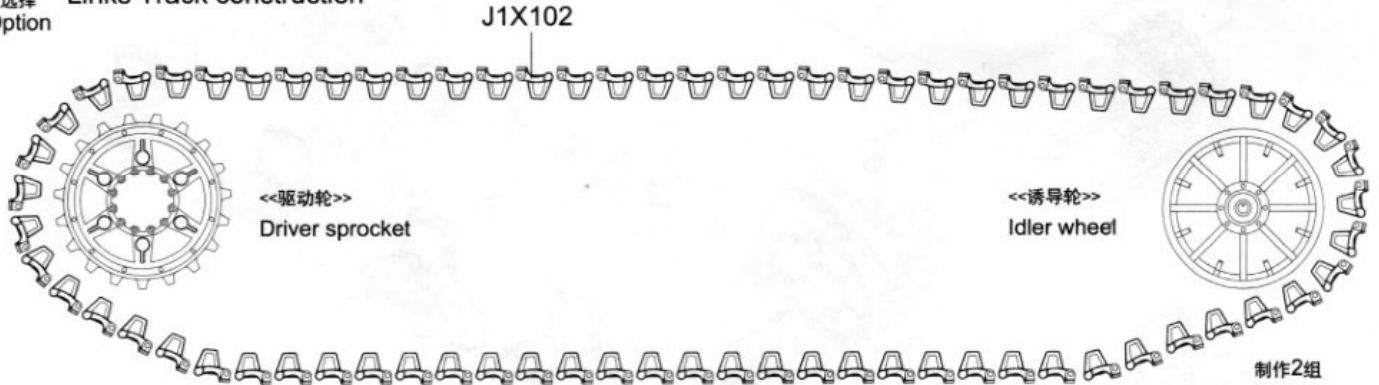
7 履带联接
Track construction



制作2组
Make two

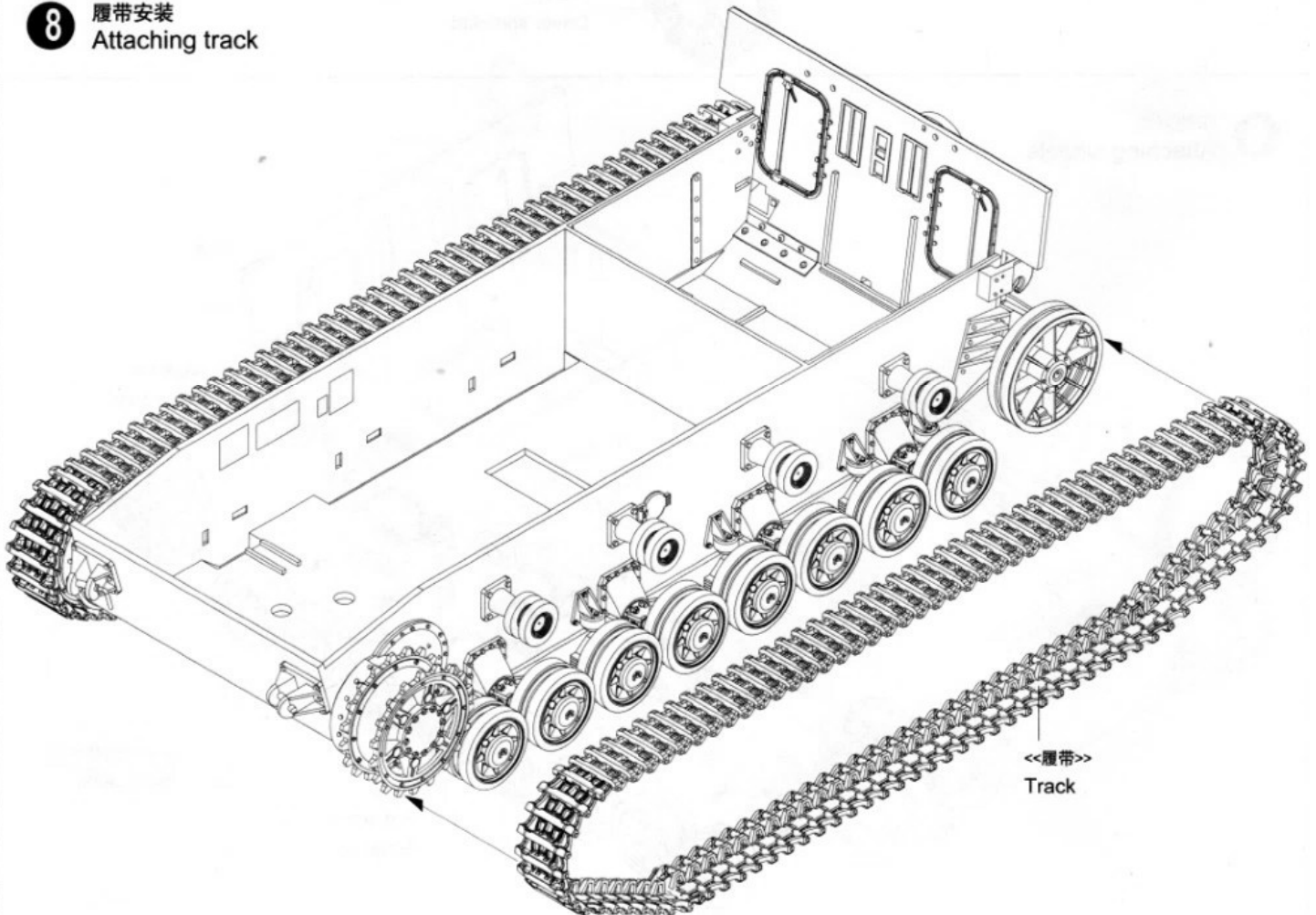
- *履带可用塑料胶水粘合。
- *履带可用模型油漆喷涂。
- *若履带断裂，用细丝线固定。
- *The tracks in this kit can be glued using plastic cement.
- *The tracks can be painted using plastic paints.
- *If track is broken strengthen with staples or thread.

2 履带联接
Links Track construction
选择
Option

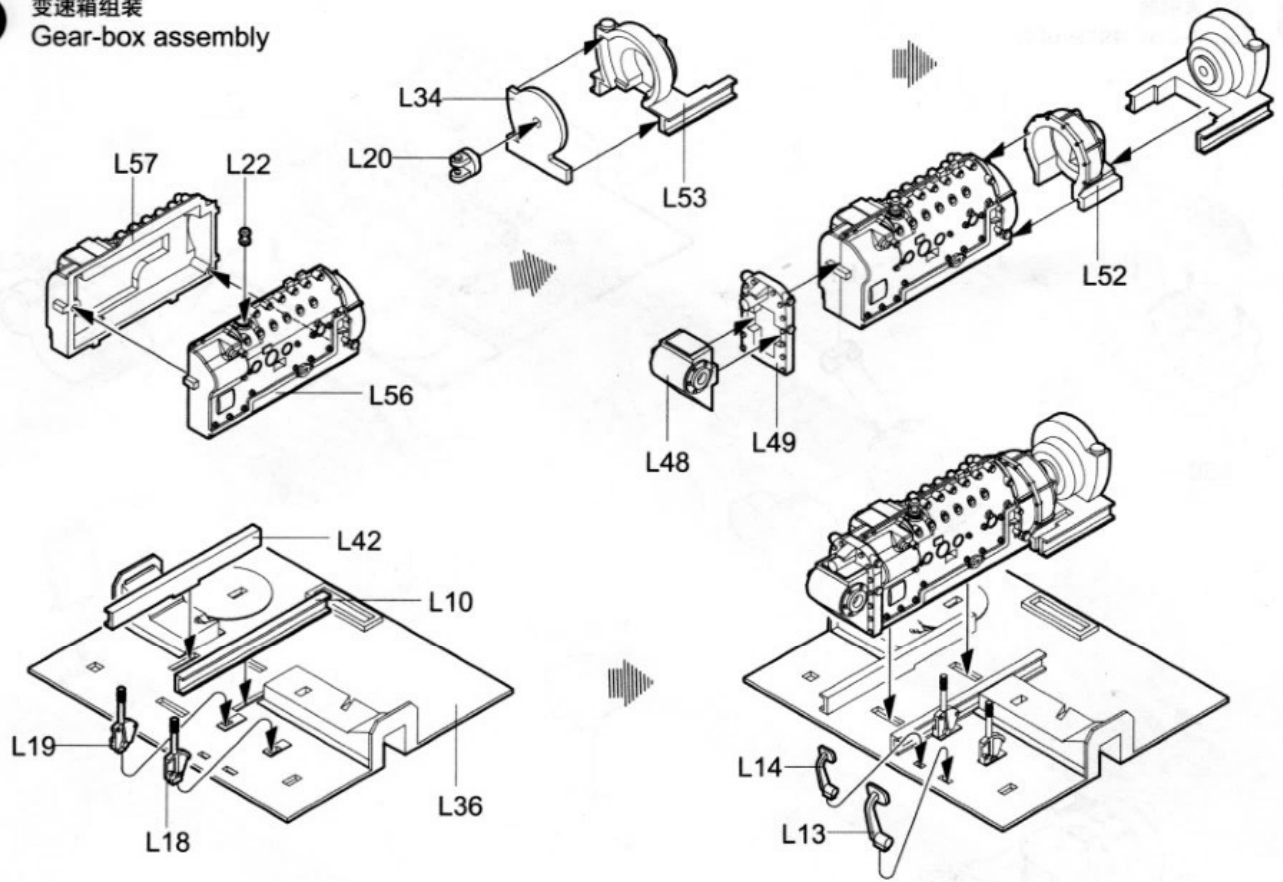


制作2组
Make two

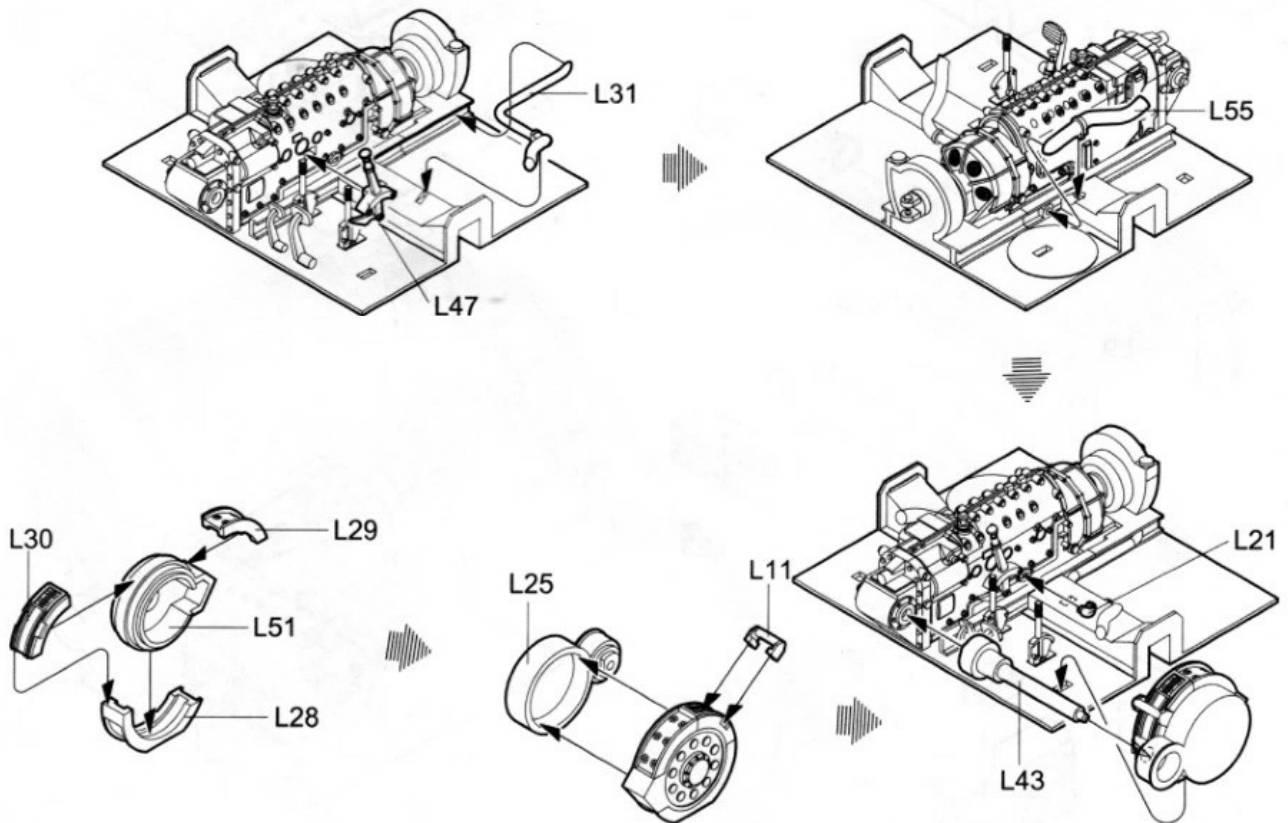
8 履带安装
Attaching track



9 变速箱组装
Gear-box assembly

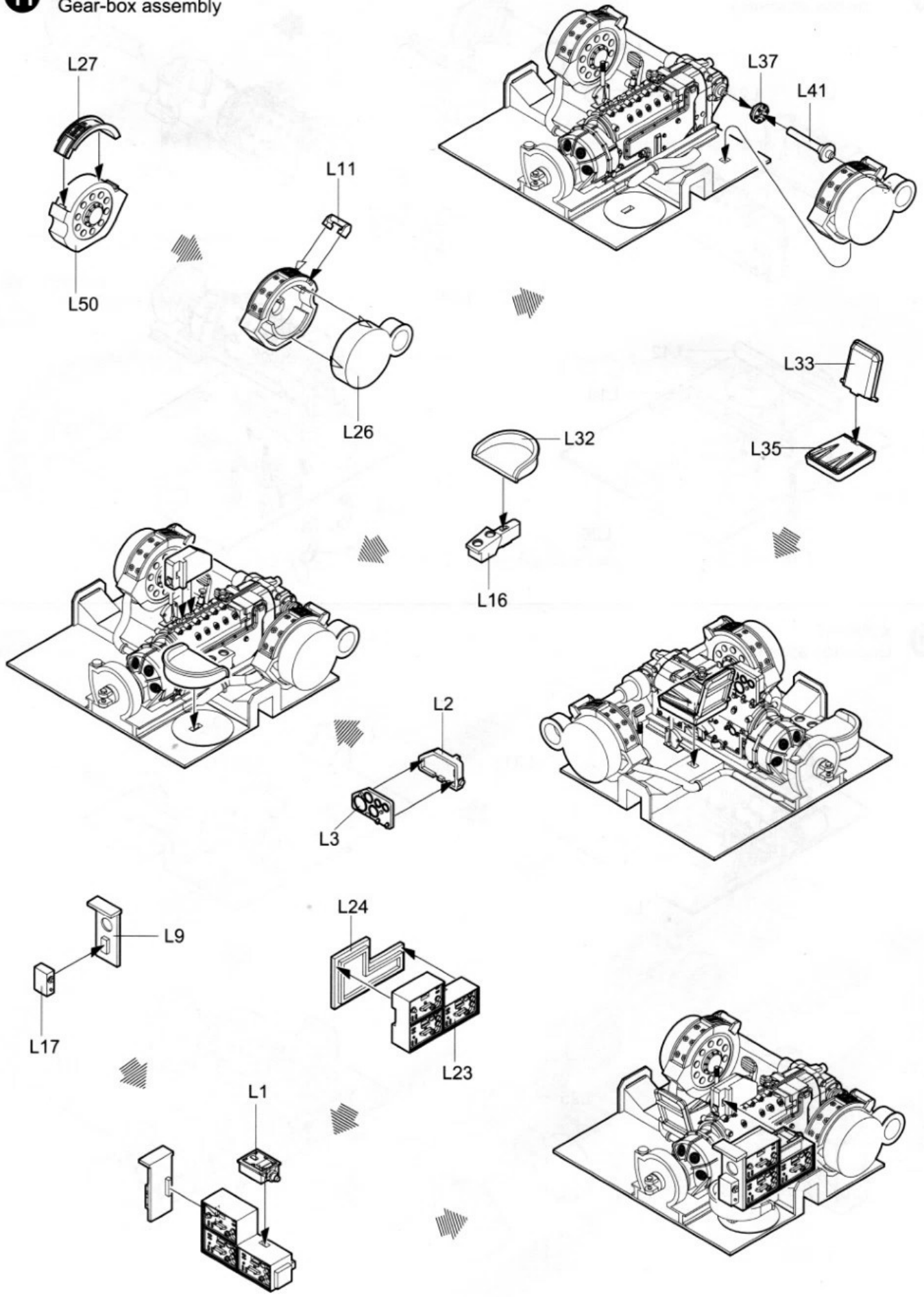


10 变速箱组装
Gear-box assembly

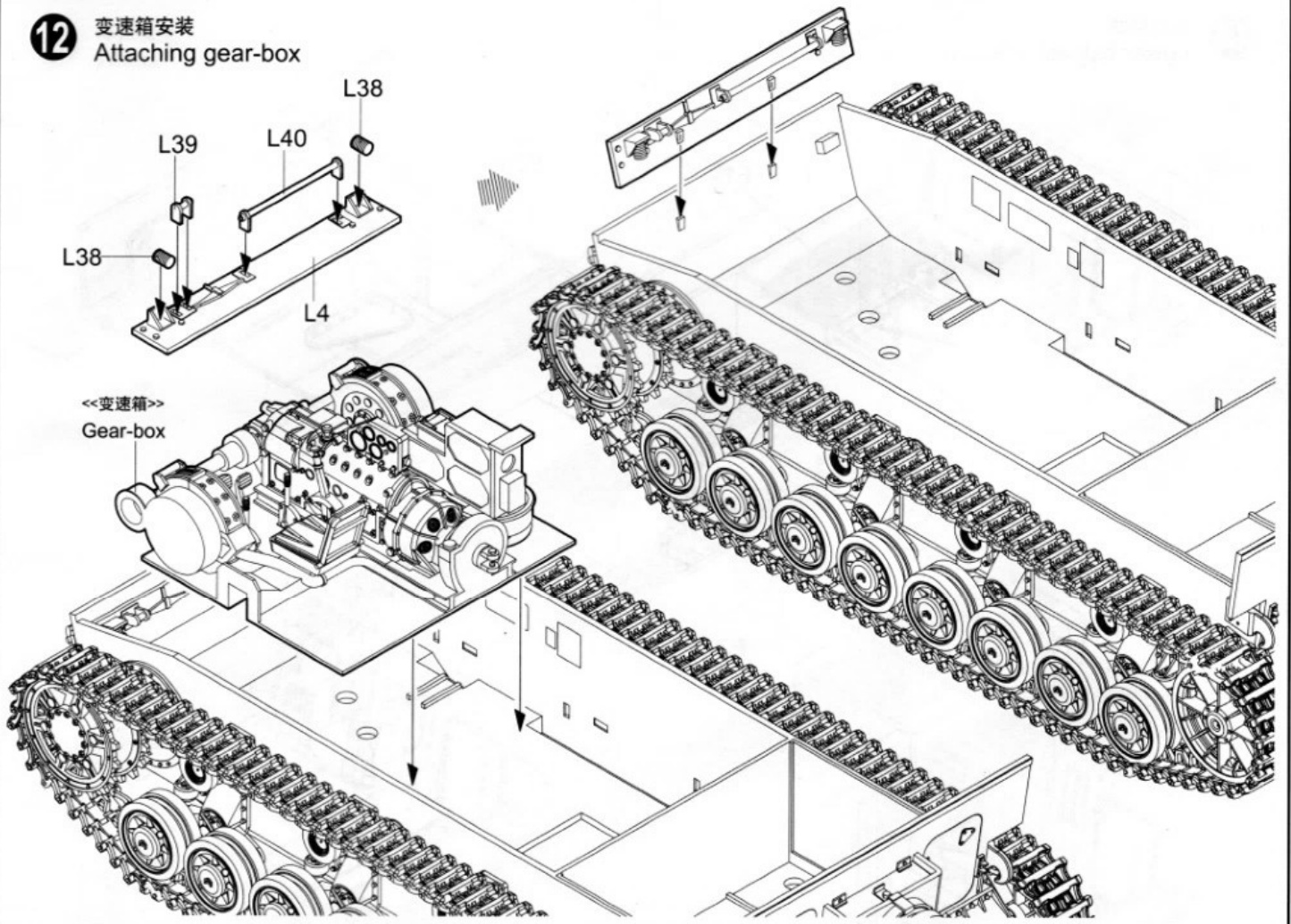


11

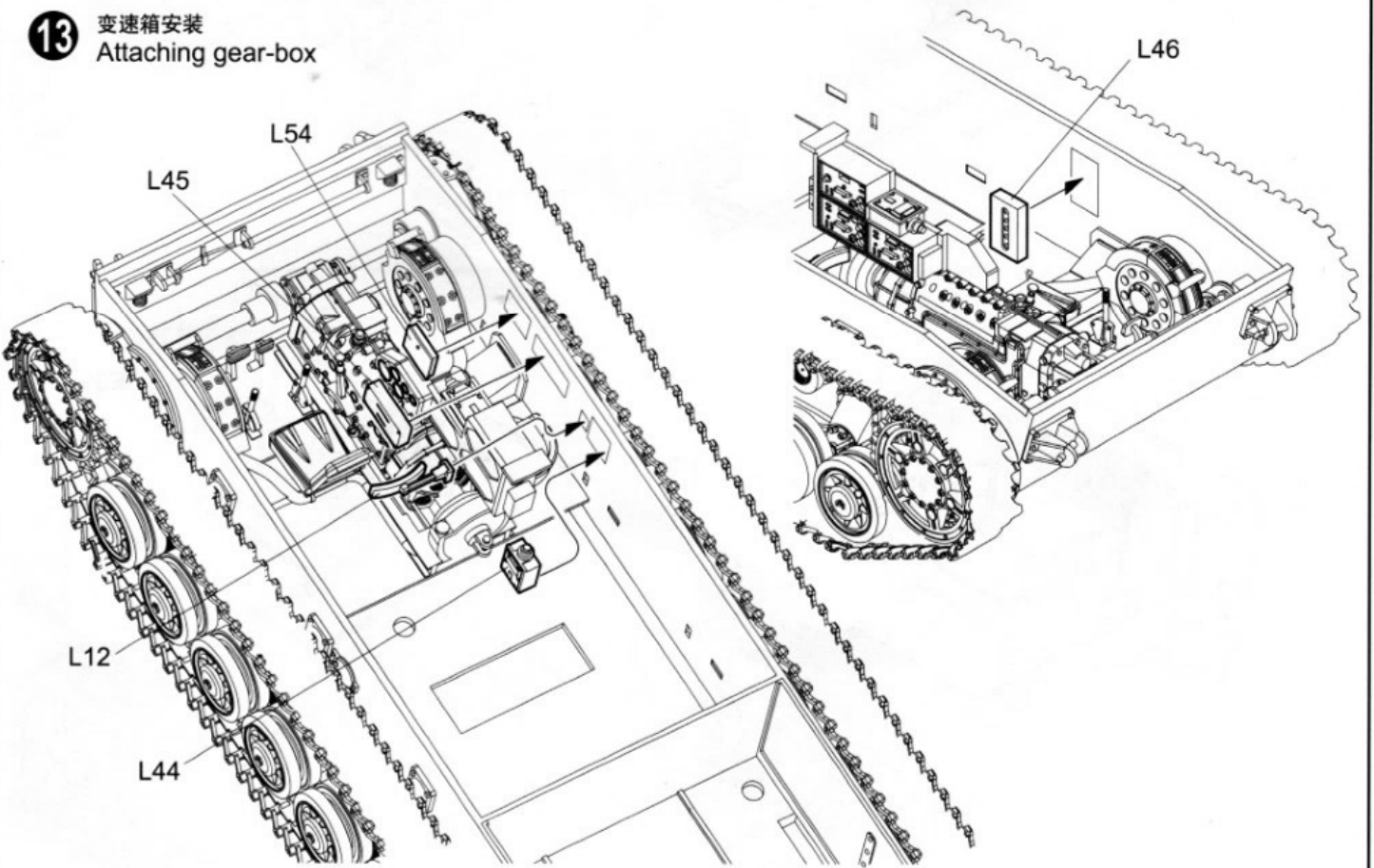
变速箱组装
Gear-box assembly



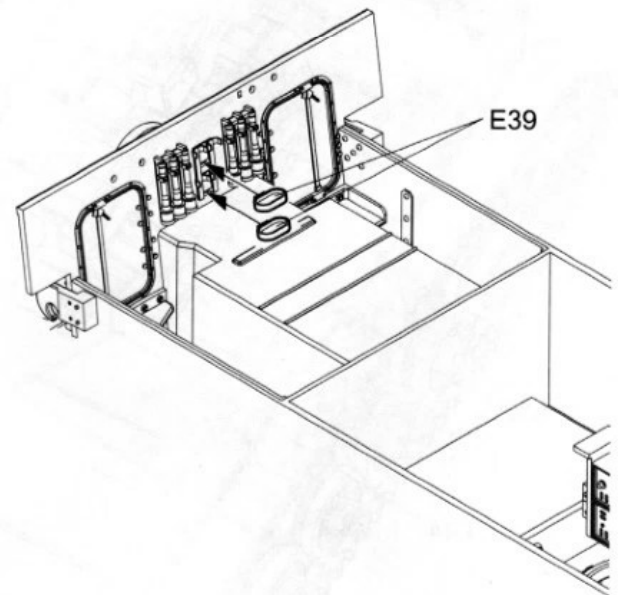
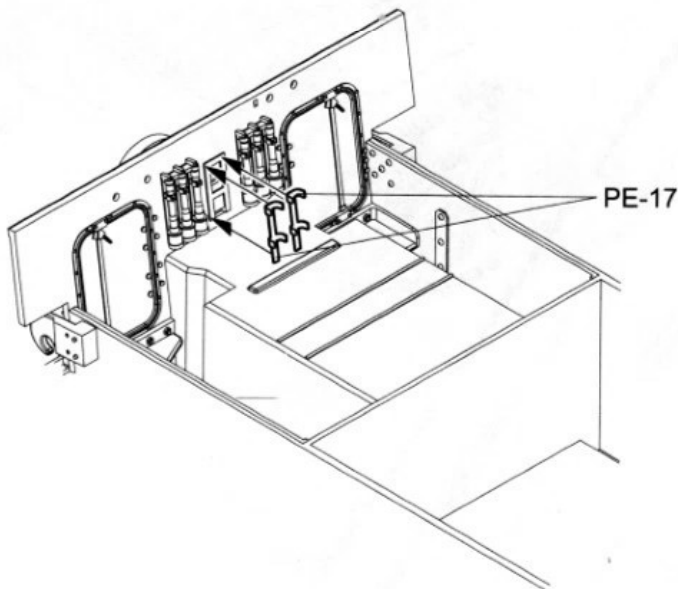
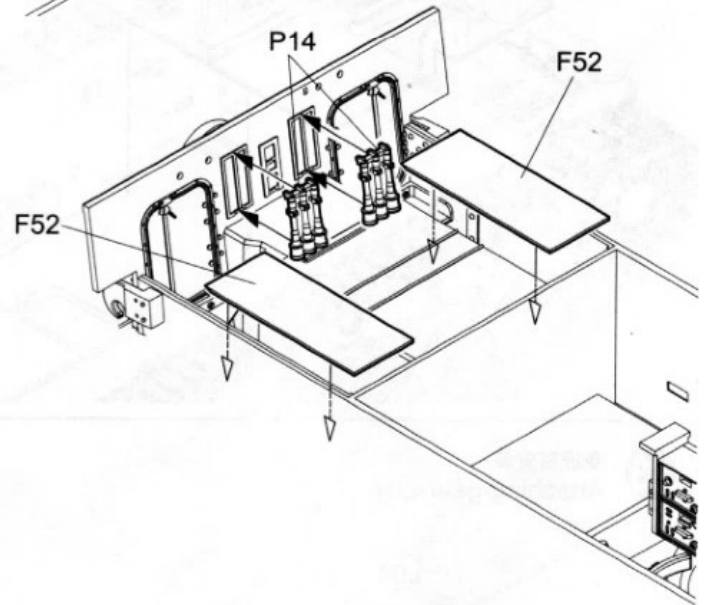
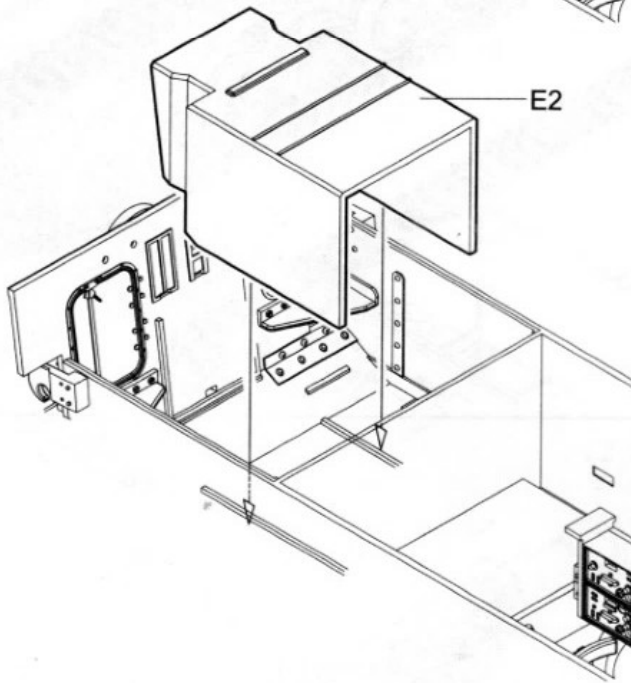
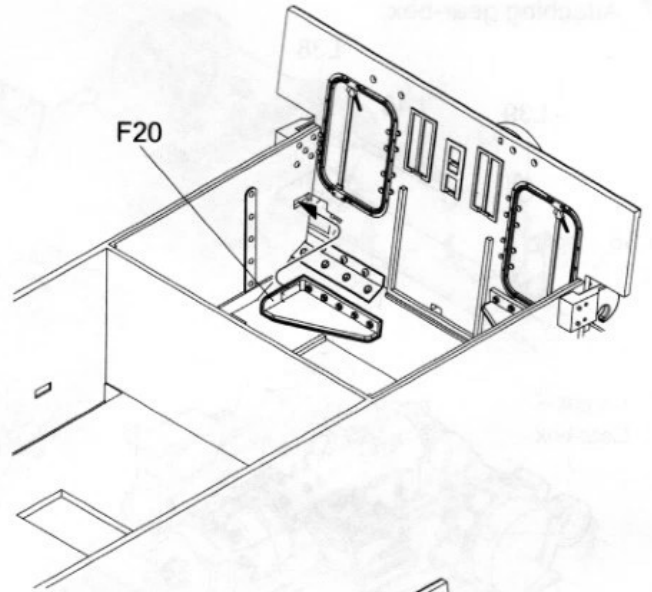
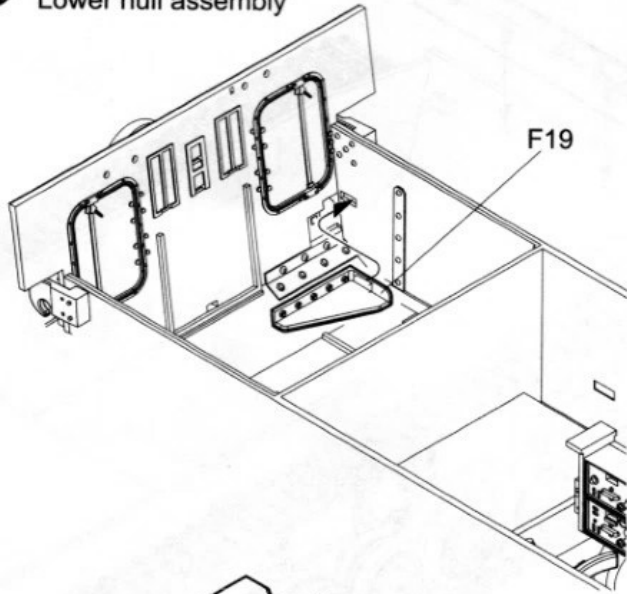
12 变速箱安装
Attaching gear-box



13 变速箱安装
Attaching gear-box

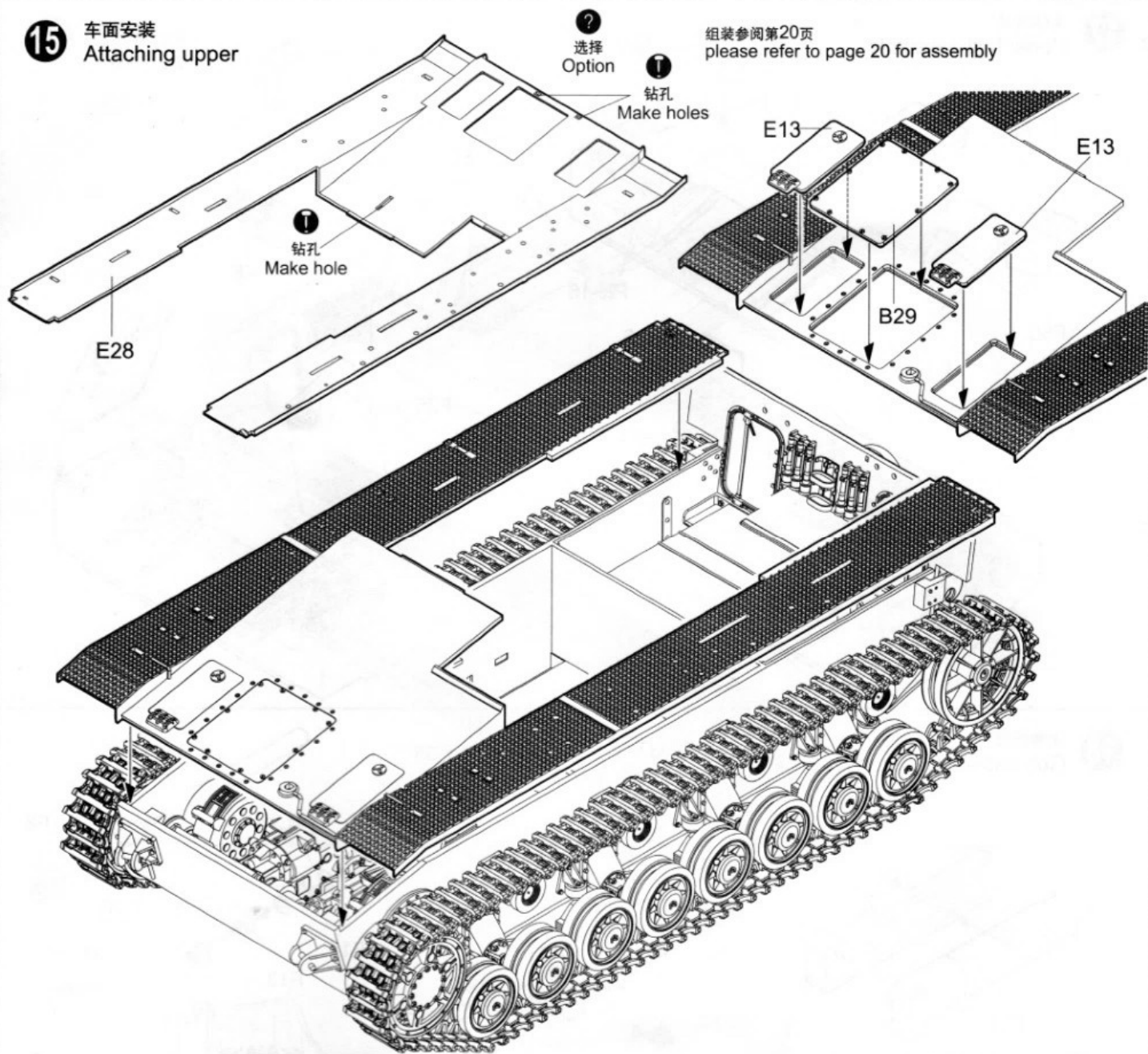


14 车底组装
Lower hull assembly

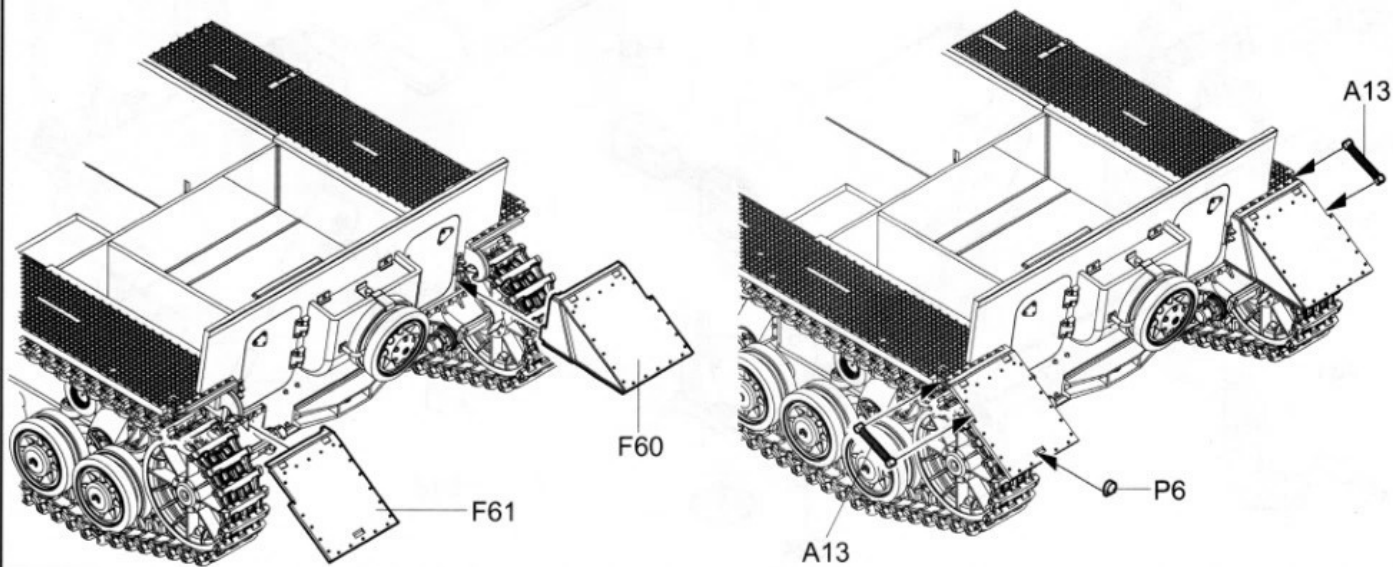


15 车面安装
Attaching upper

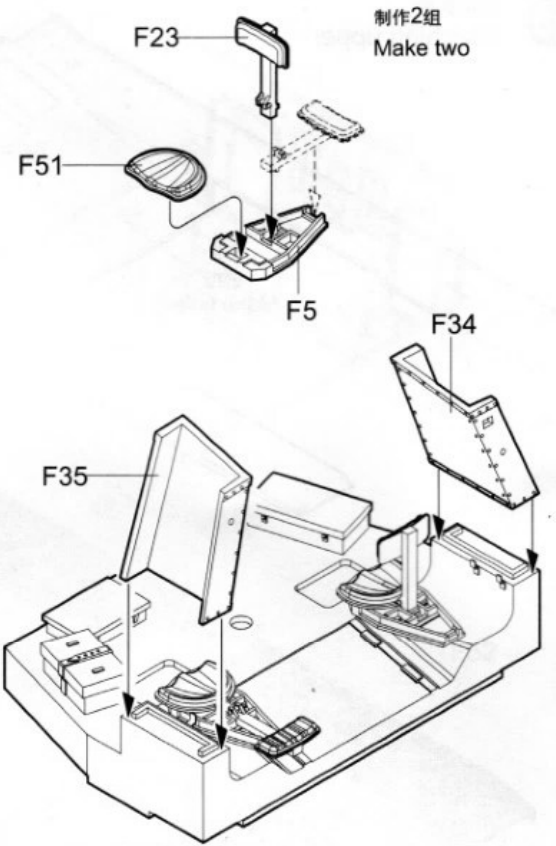
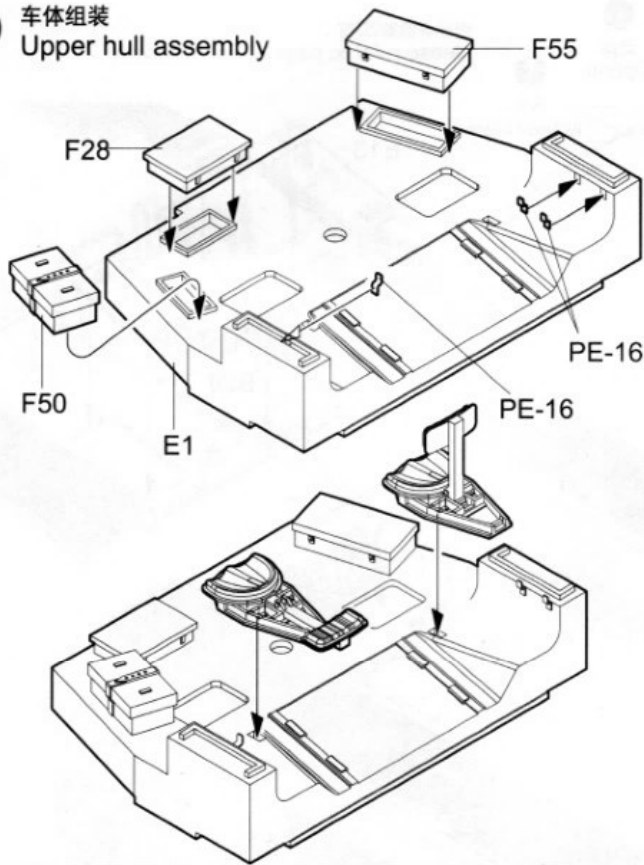
组装参阅第20页
please refer to page 20 for assembly



16 车底组装
Lower hull assembly

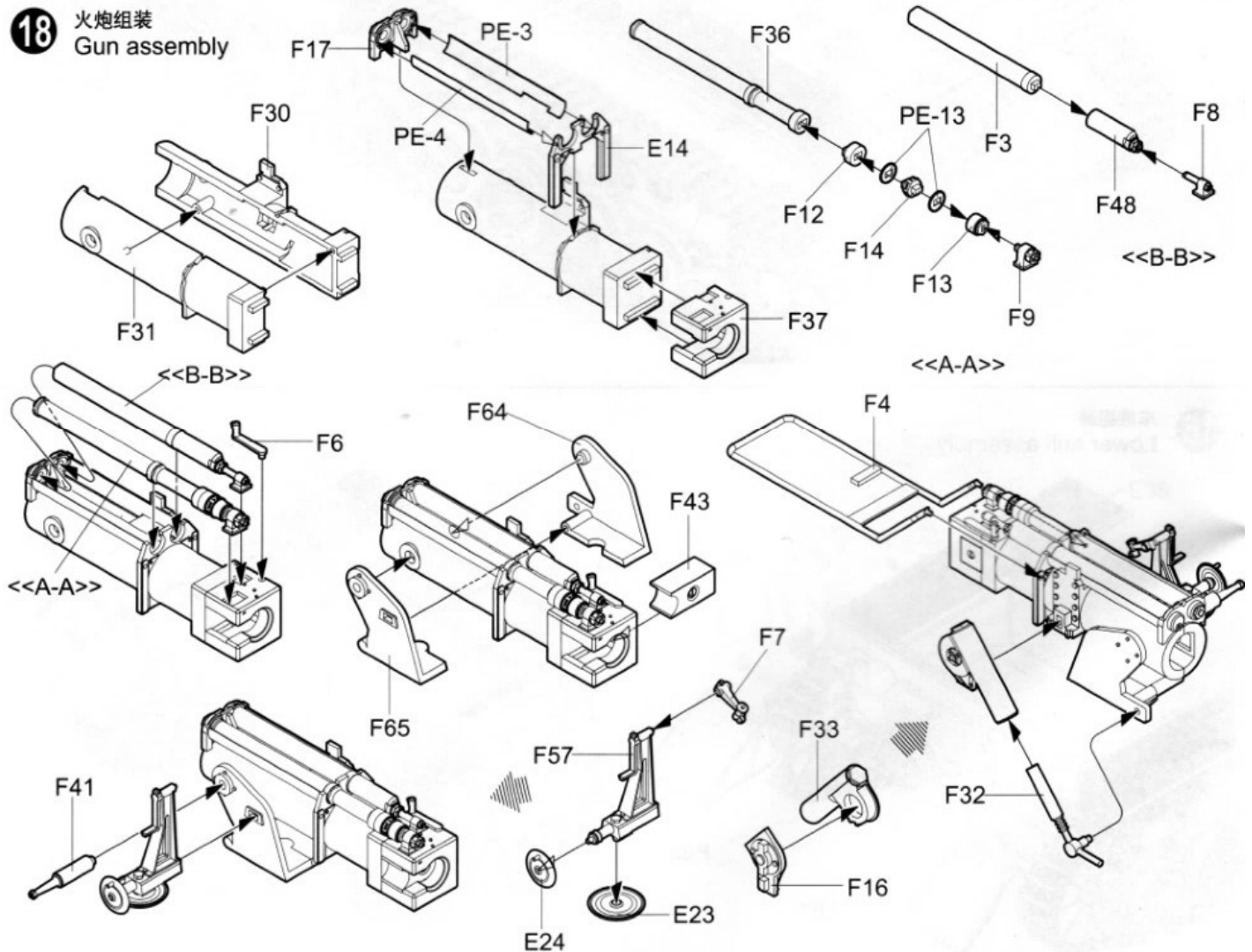


17 车体组装
Upper hull assembly

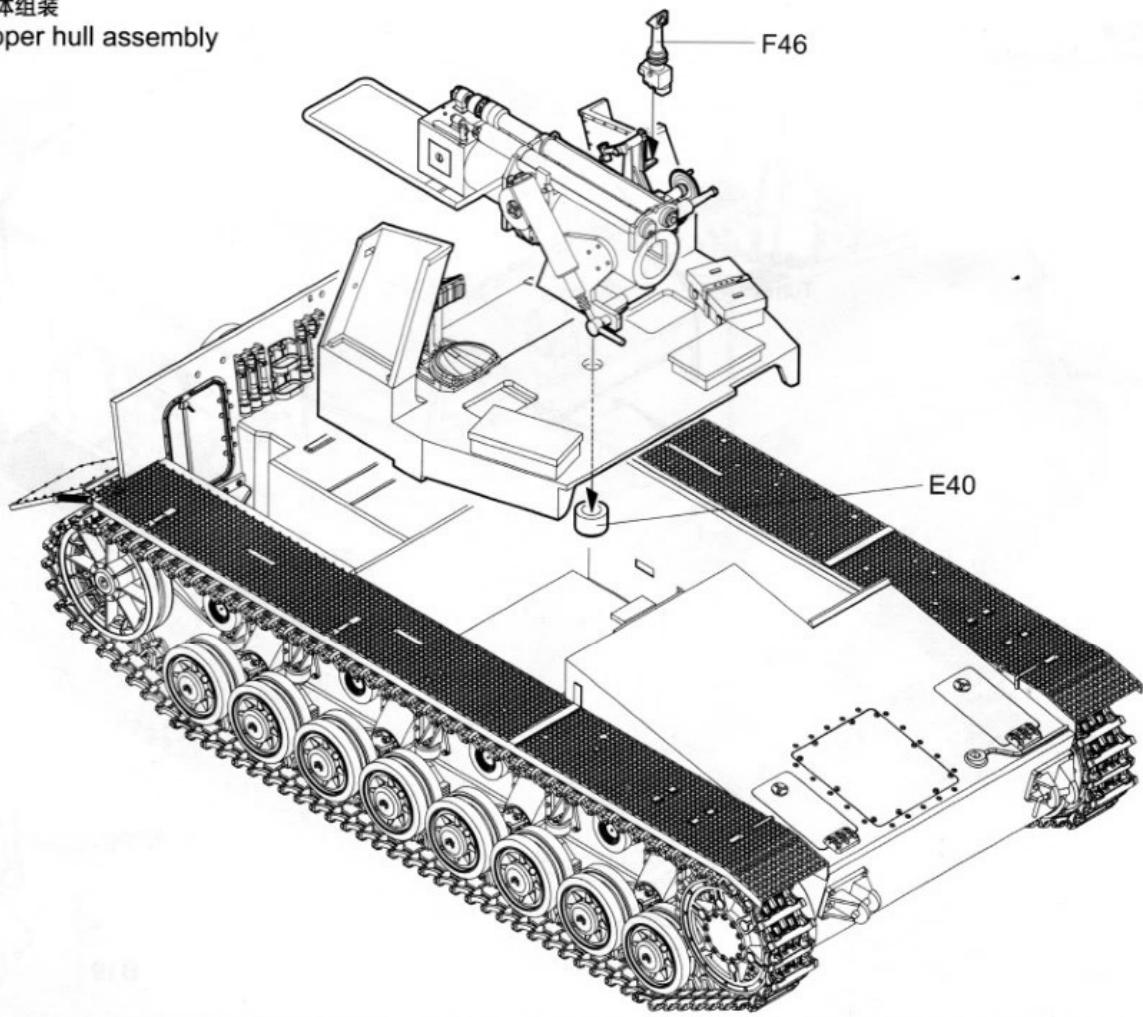


制作2组
Make two

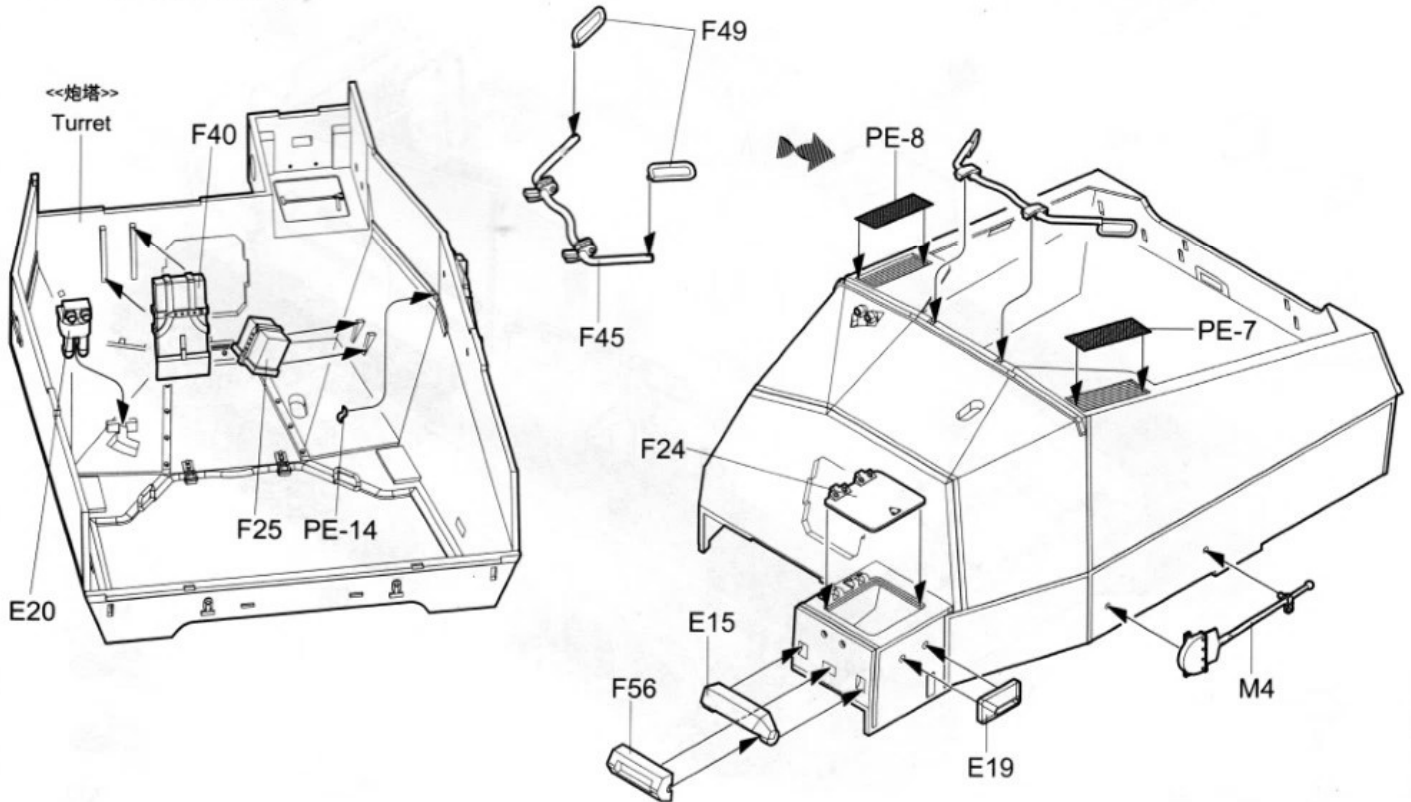
18 火炮组装
Gun assembly



19 车体组装
Upper hull assembly



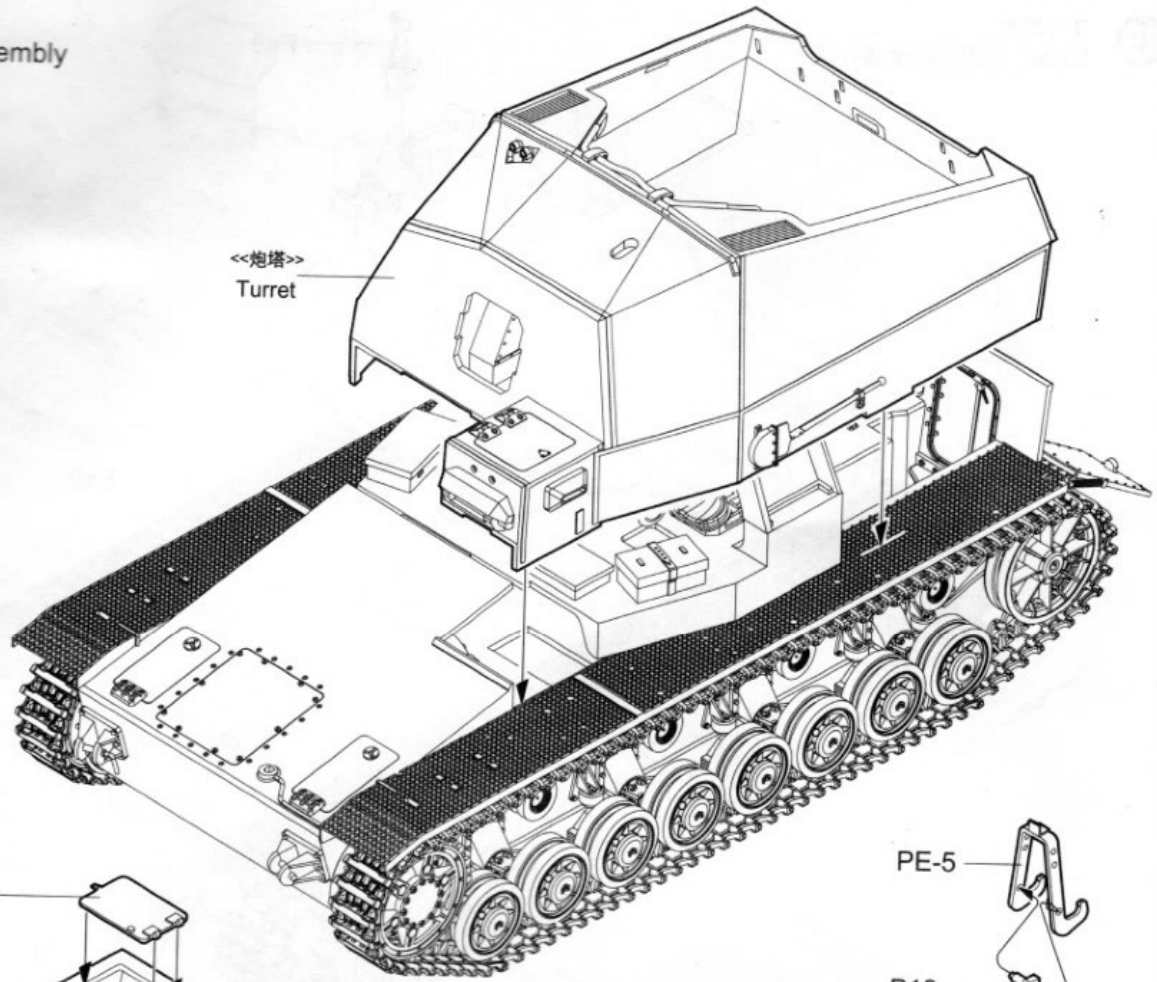
20 炮塔组装
Turret assembly



21

炮塔组装
Turret assembly

<<炮塔>>
Turret



PE-5

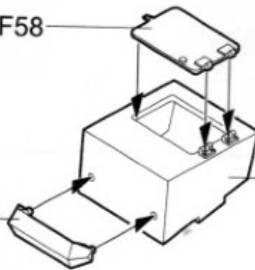
B19



F58

F44

E16

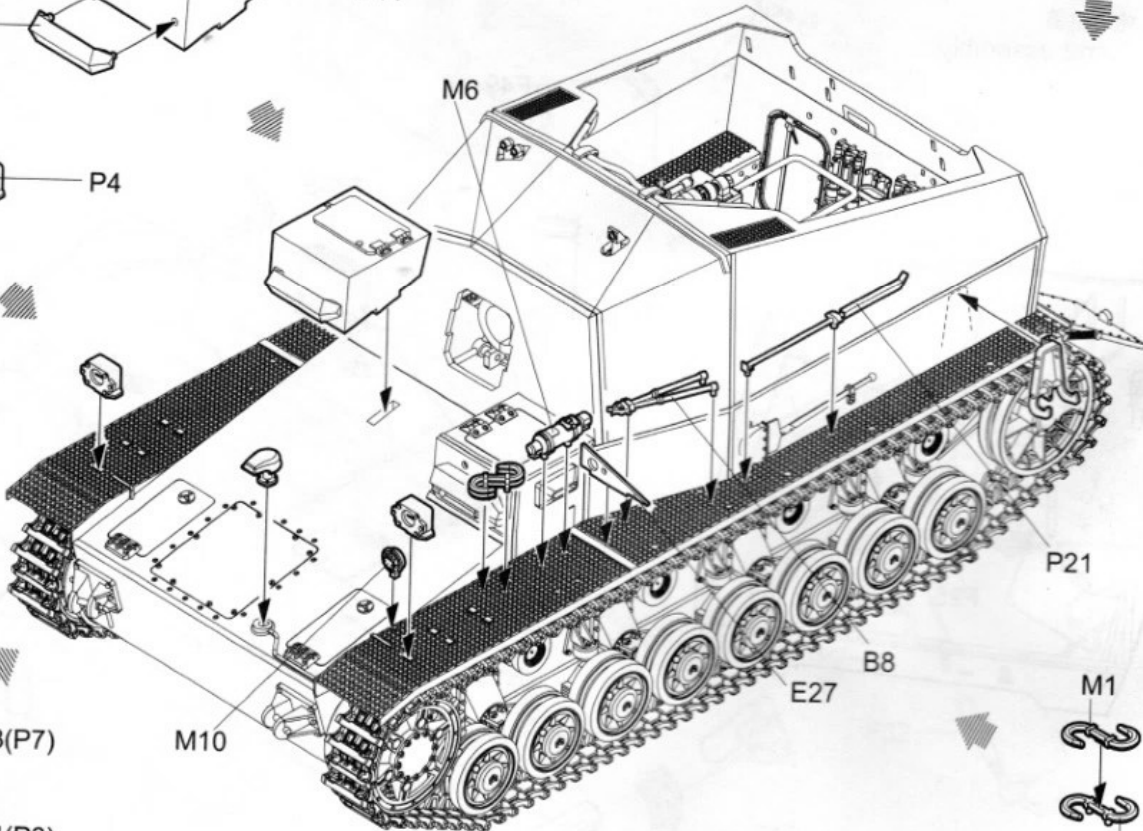


M6

P4

P25

制作2组
Make two



P21

B8

E27

M1

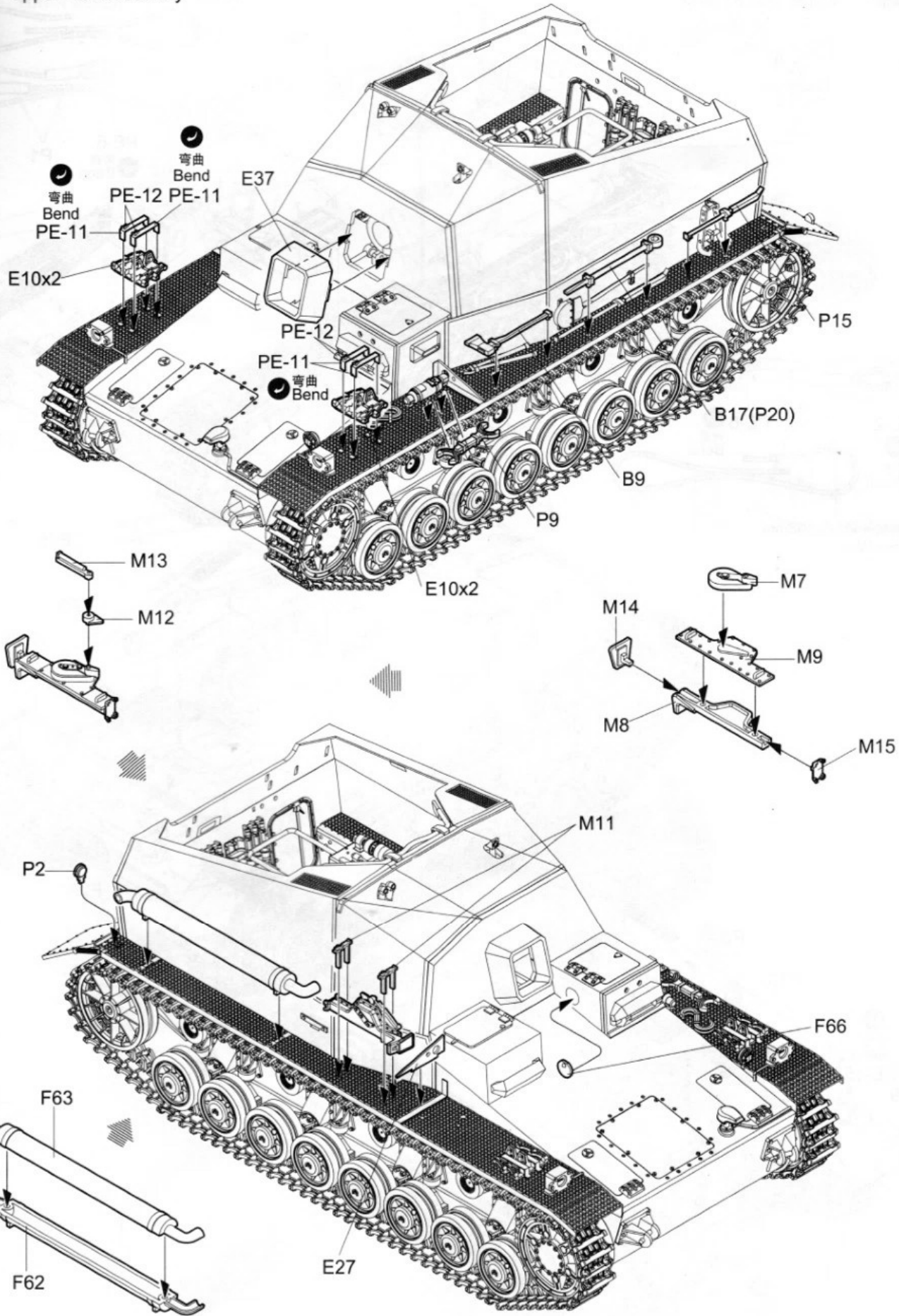
M2

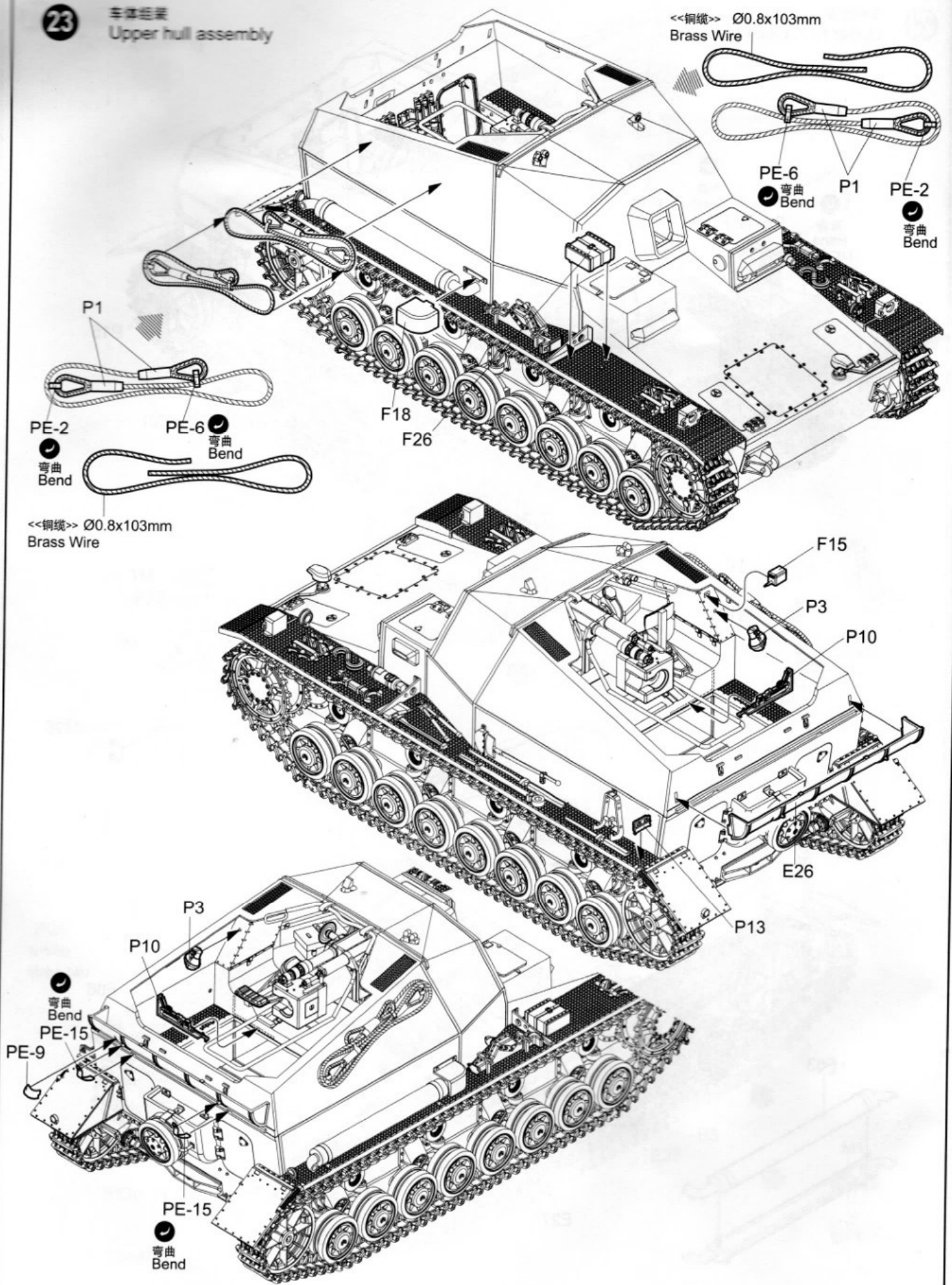
B33(P7)

M10

B34(P8)

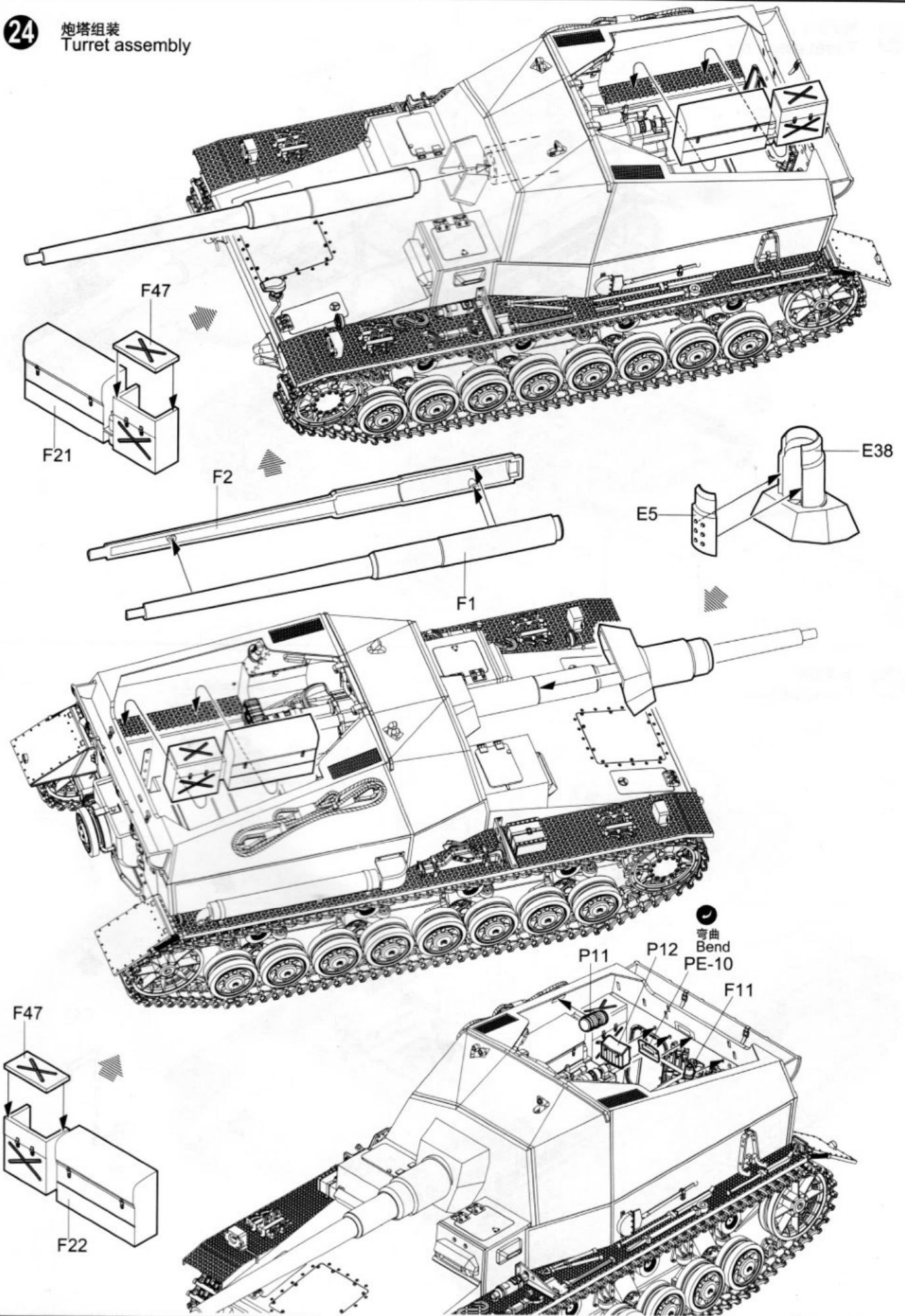




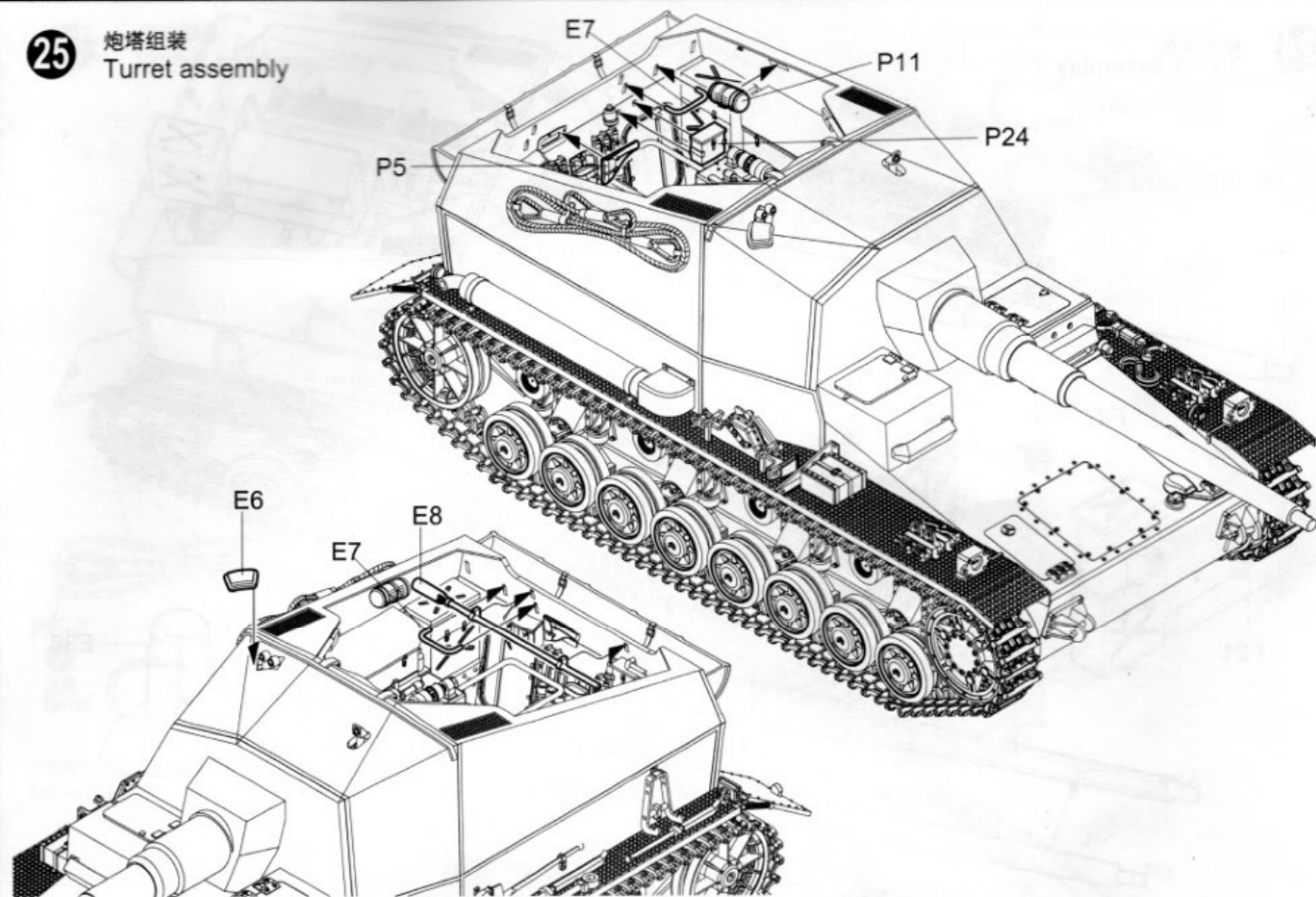


24

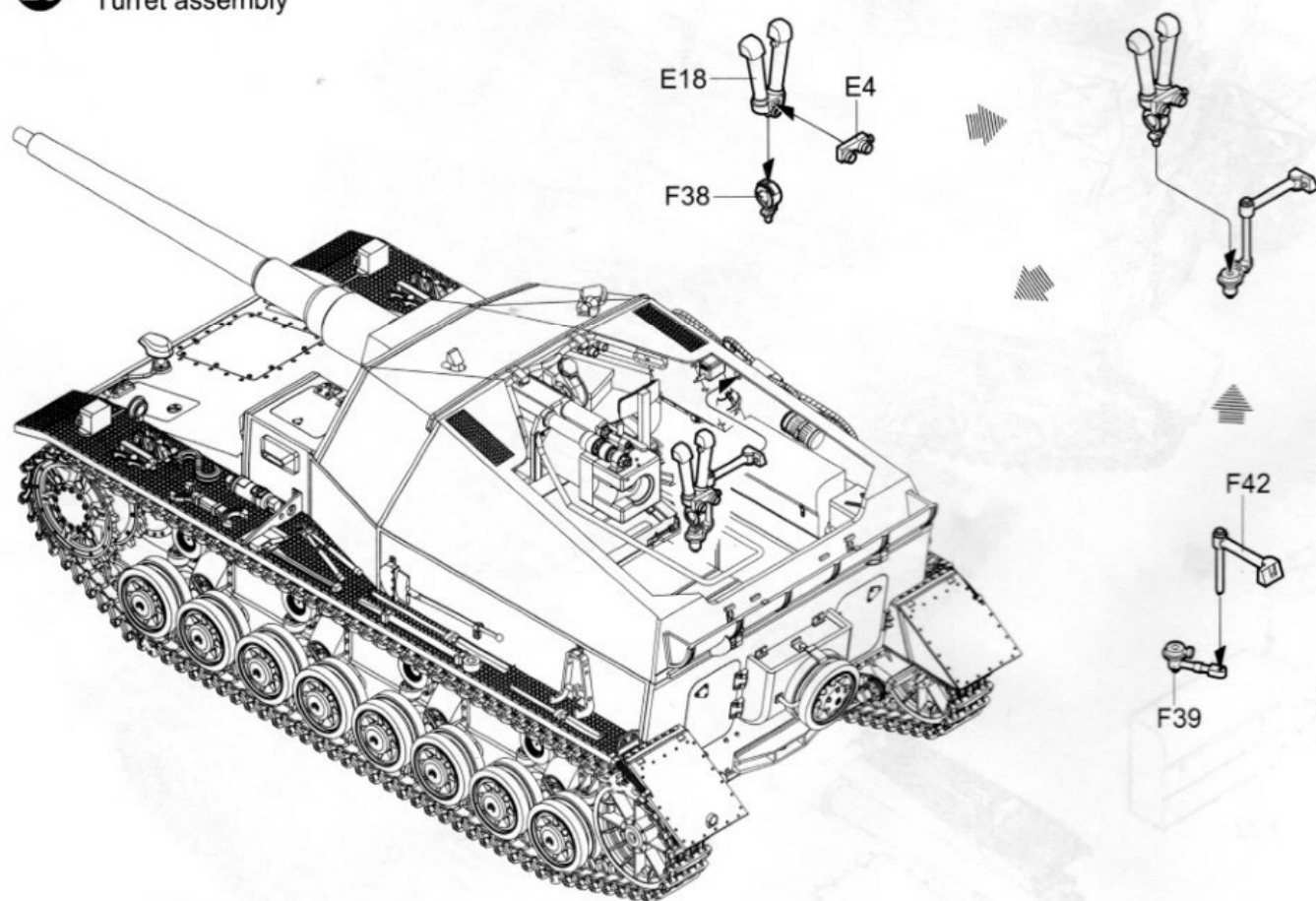
炮塔组装
Turret assembly



25 炮塔组装
Turret assembly

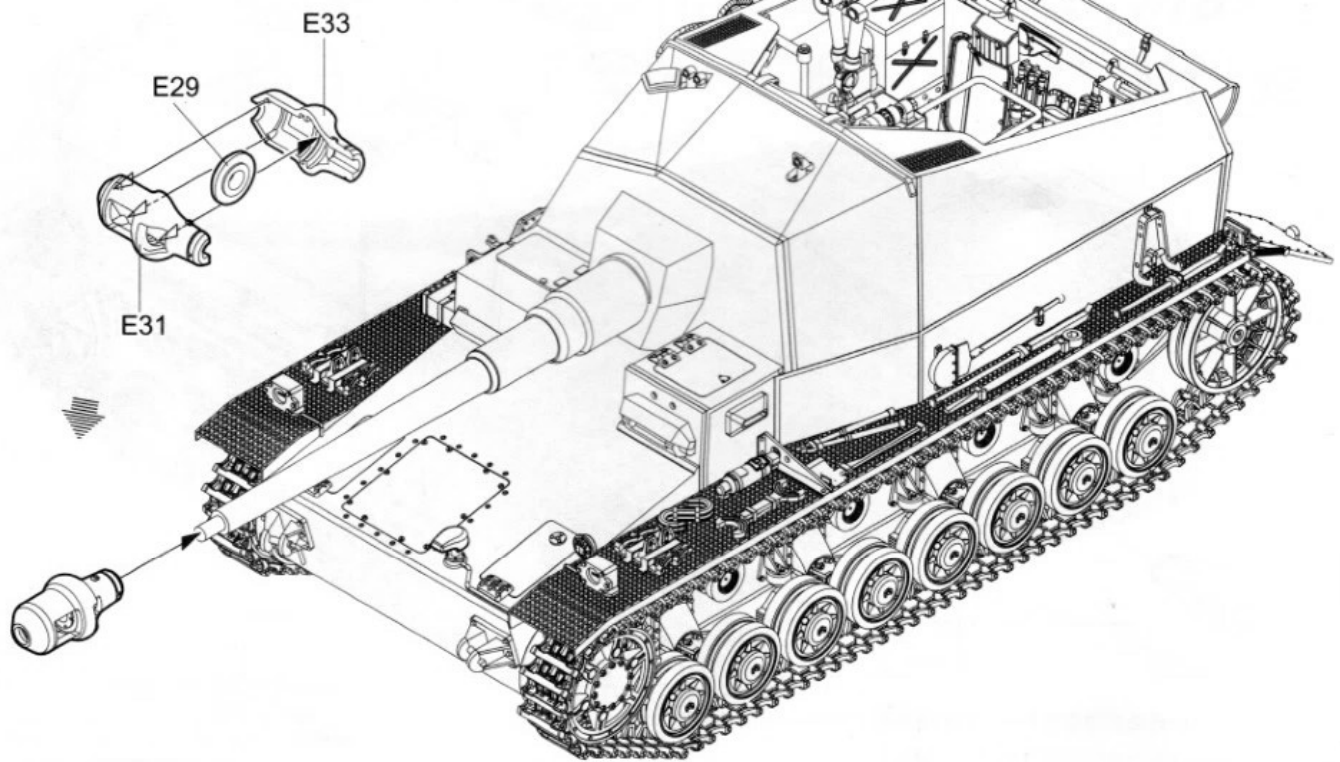


26 炮塔组装
Turret assembly

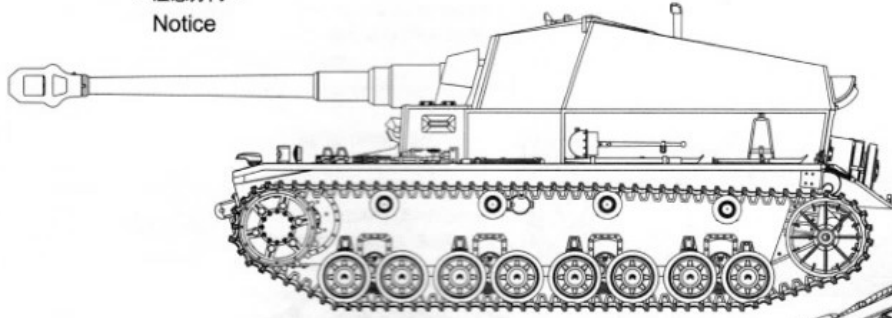


27

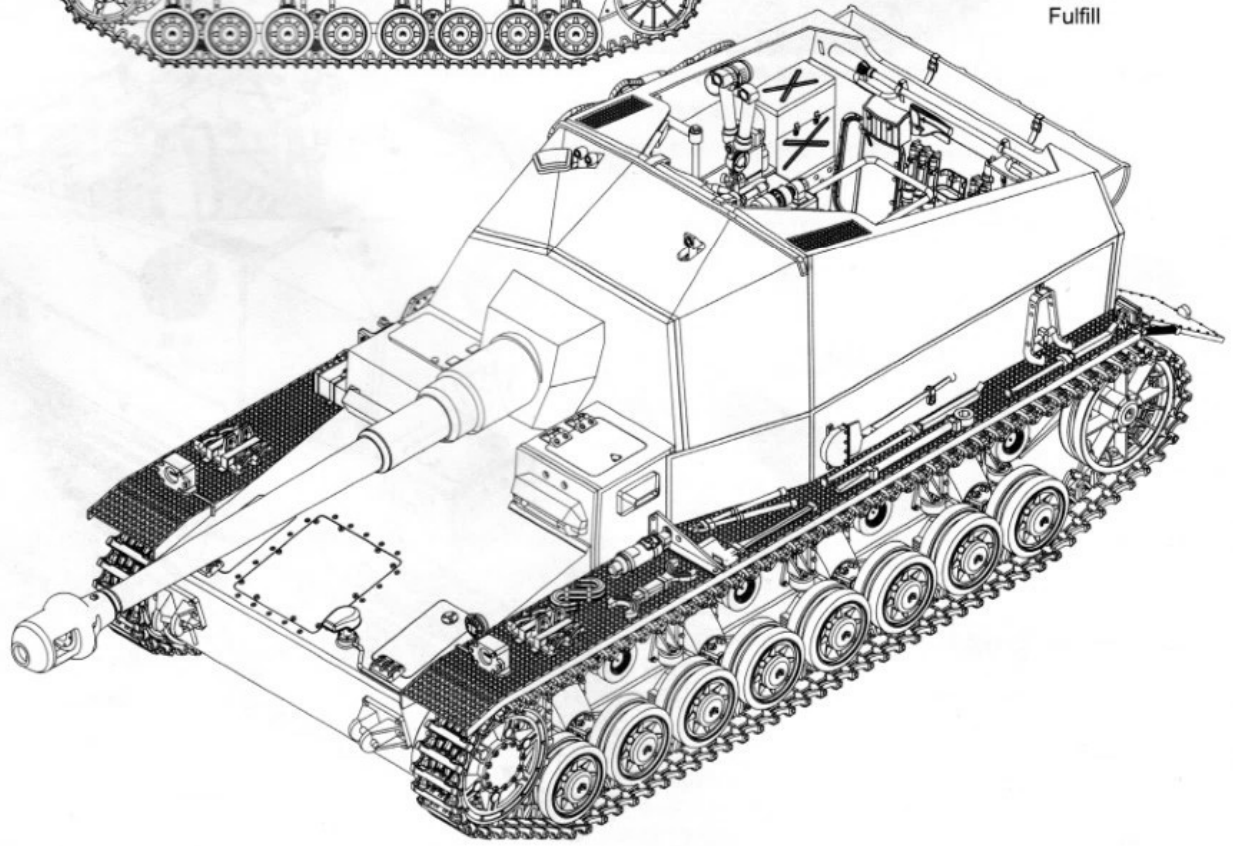
炮塔组装
Turret assembly



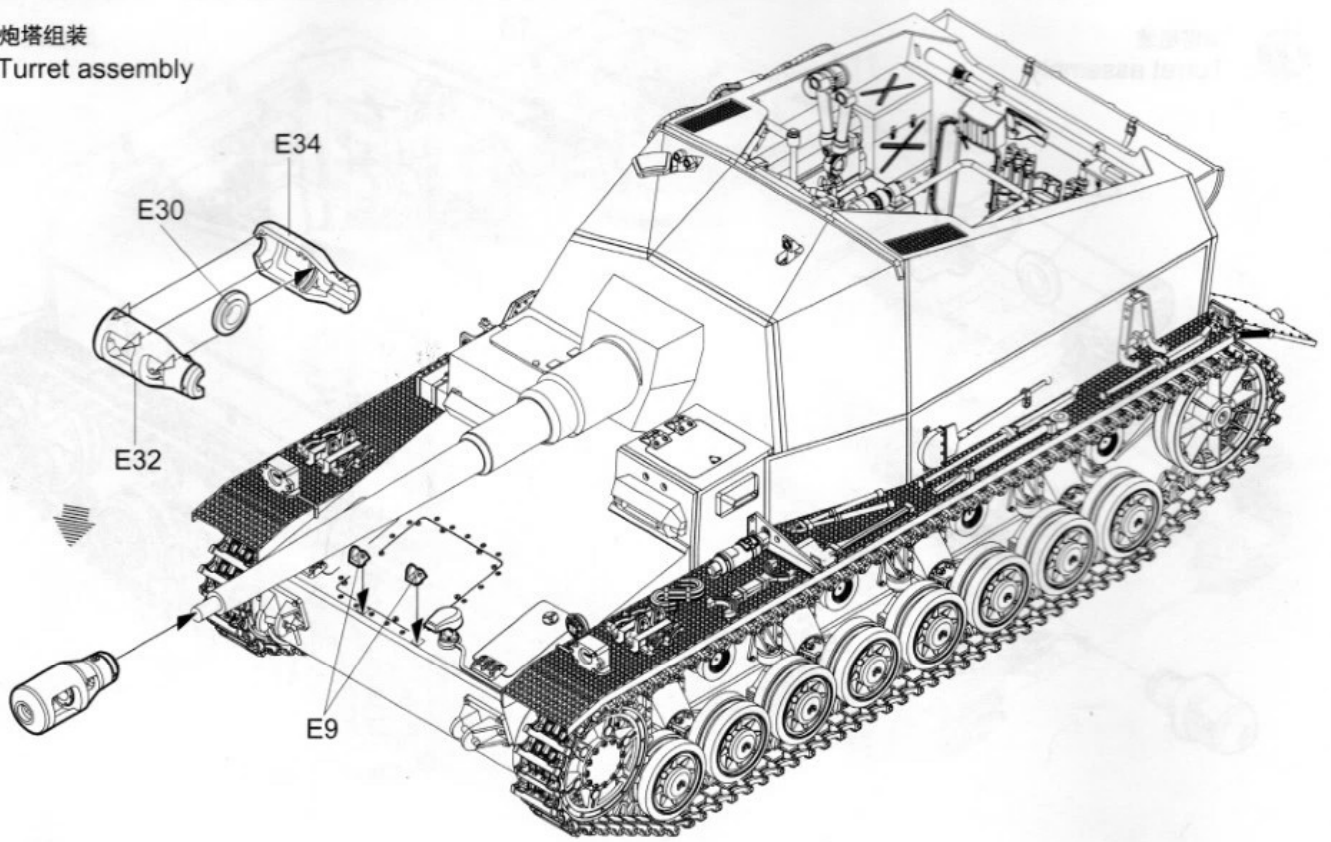
<<注意方向>>
Notice



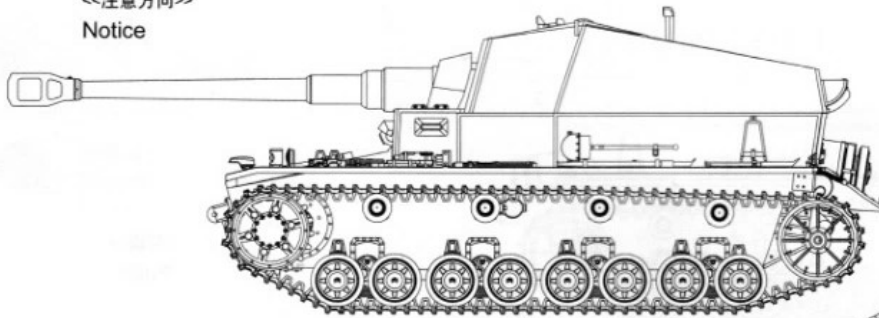
<<完成>>
Fulfill



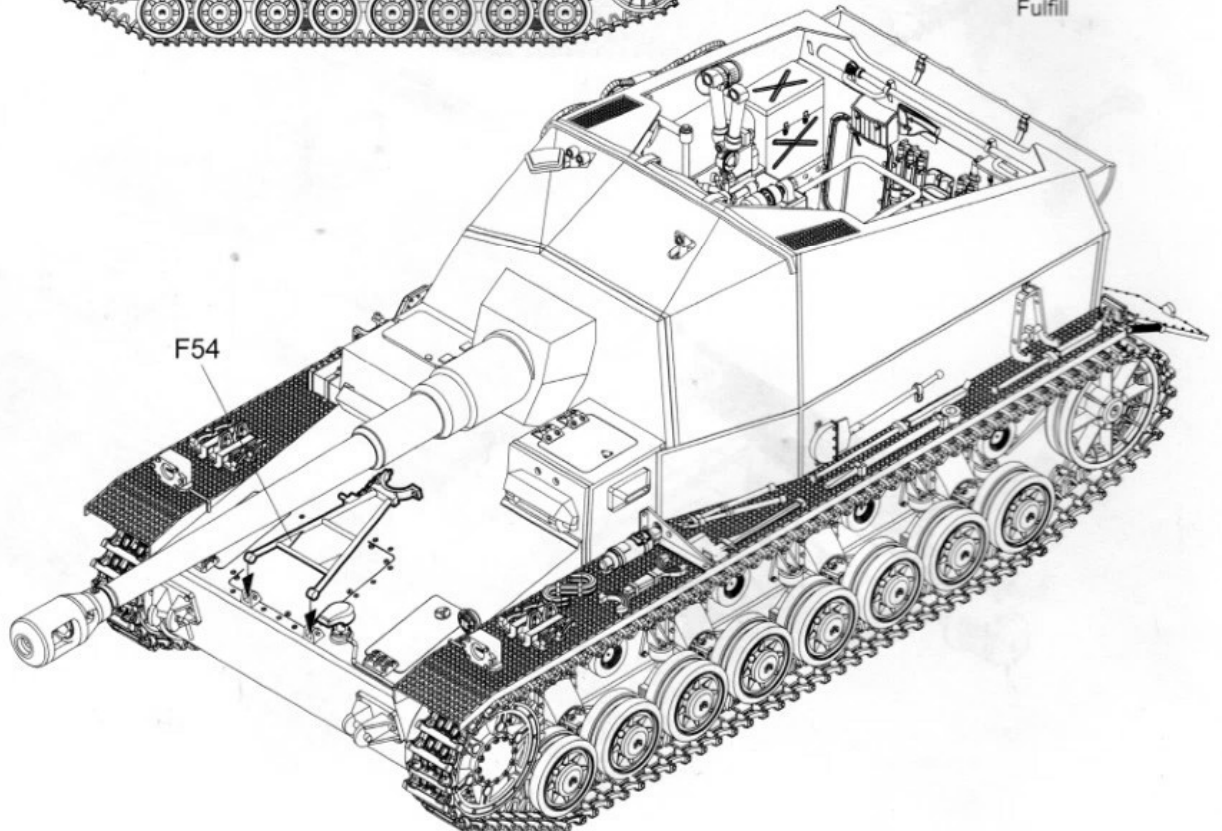
28 炮塔组装
Turret assembly



<<注意方向>>
Notice



<<完成>>
Fulfill

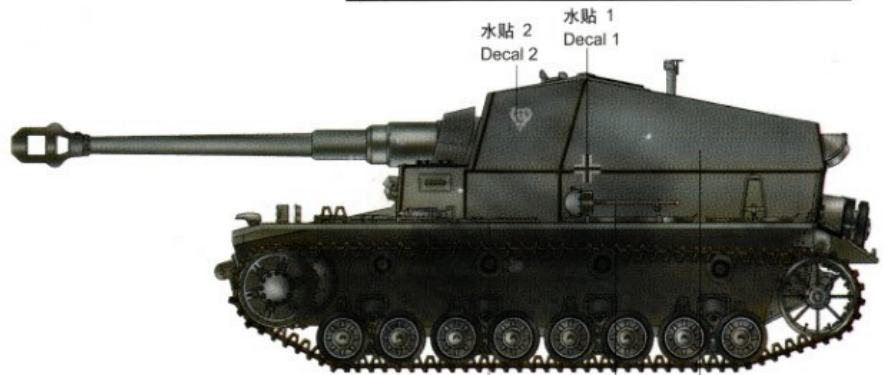


涂装同标贴指示 Painting & Marking guide

使用HOBBY涂料
Mr. Color used

H 93 50	透明蓝 Clear Blue	H 84 42	桃木色 Mahogany
H 37 43	木棕色 Wood Brown	H 77 137	胎黑色 Tire Black
H 307 307	灰色 Dark Compas Ghnship Grey		

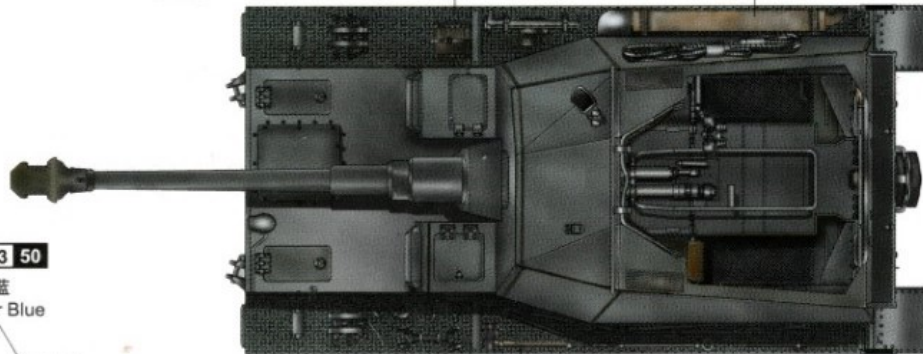
A



H|84|42 桃木色 Mahogany
H|84|42 桃木色 Mahogany
H|307|307 灰色 Dark Compas Ghnship Grey

H|84|42
桃木色
Mahogany

H|37|43
木棕色
Wood Brown



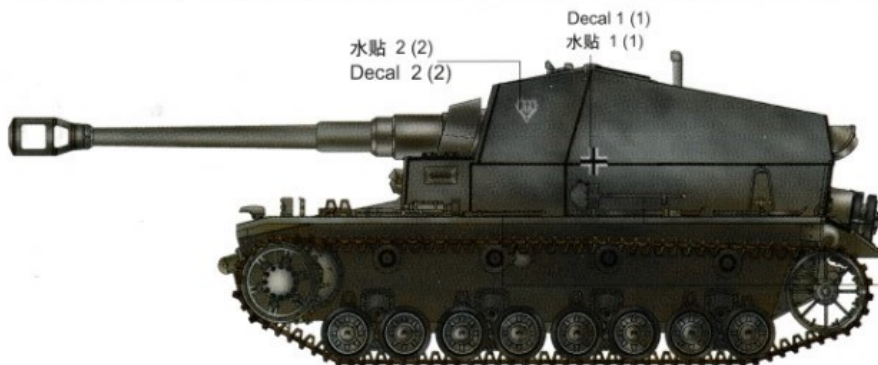
H|84|42
桃木色
Mahogany

水贴 1
Decal 1
水贴 2
Decal 2



H|37|43
木棕色
Wood Brown

B



H|84|42
桃木色
Mahogany
H|84|42
桃木色
Mahogany