

Messerschmitt Bf 109 G-10

1:24 Scale

德国 Bf 109 G-10 型

READ BEFORE ASSEMBLY

- Study and understand this instructions thoroughly before beginning assembly.
- Remove all injection pins carefully using a modeling file.
- Cut off the photo-etched parts carefully using a modeling knife. Be sure not to lose small parts.
- Apply instant cement to photo etched parts and shafts. Apply too much instant cement will cause movable parts to stick. Apply cement carefully.
- Extra care should be taken to avoid personal injury when handling the photo etched parts.
- Some parts should depend on decals. Select prior to assembly.
- Tools recommended: (Not included in this kit) Cement; Side cutters; Long nose pliers; Modeling knife; Modeling file; Tweezers; Pin vise; Scissors; Instant cement.
- Soft cloth and sand paper will also assist in construction.
- Glue and paints are not included in the kit. Use plastic cement or paints only.
- Keep out of reach of small children. Children must not be allowed to suck any part, or pull vinyl bag over the head.

装配之前仔细阅读

- 小心用模型锉刀锉平所有零件表面的注射浇口。
- 小心用刀片切下蚀刻片零件，不要遗失小零件。
- 用强力快干胶水粘合蚀刻片零件和金属轴。过量的快干胶水使用可能导致可动零件会粘住，小心涂胶。
- 取蚀刻片时应特别注意安全，防止利边划伤手指。
- 某些零件表面需贴上水贴纸，请选择在装配的同时进行。
- 推荐模型工具(自备)：胶水，水口剪刀，长咀钳，刀片，锉刀，镊子钳，钻，剪刀，瞬间快干胶。
- 软布同砂纸同时也应该是必备工具。
- 请使用塑料胶水和油漆，模型内不含。
- 谨防小孩吸吮塑料零件，或者将塑料袋套在头上，制作时应将套材远离小孩接触。

水贴纸的使用:

1. 从水贴纸上剪下印花;
2. 将印花放入温水中浸10秒, 然后放在干净布上。
3. 拿着印花纸板将印花移到模型上;
4. 手指蘸水将印花移到适当的位置;
5. 用软布轻压印花直至水干, 汽泡消失。

DECAL APPLICATION

1. Cut off decal from sheet.
2. Dip the decal in tepid water 40° C for about 10 sec. and place on a clean cloth.
3. Hold the backing sheet edge and slide decal onto the model.
4. Move decal into position by wetting decal with finger.
5. Press decal gently down with a soft cloth until excess water and air bubbles are gone.



cyanocrylate glue
使用强力胶



weight
配重



make hole
钻孔



cut / remove
切除



option
选择



no cement
不涂胶水



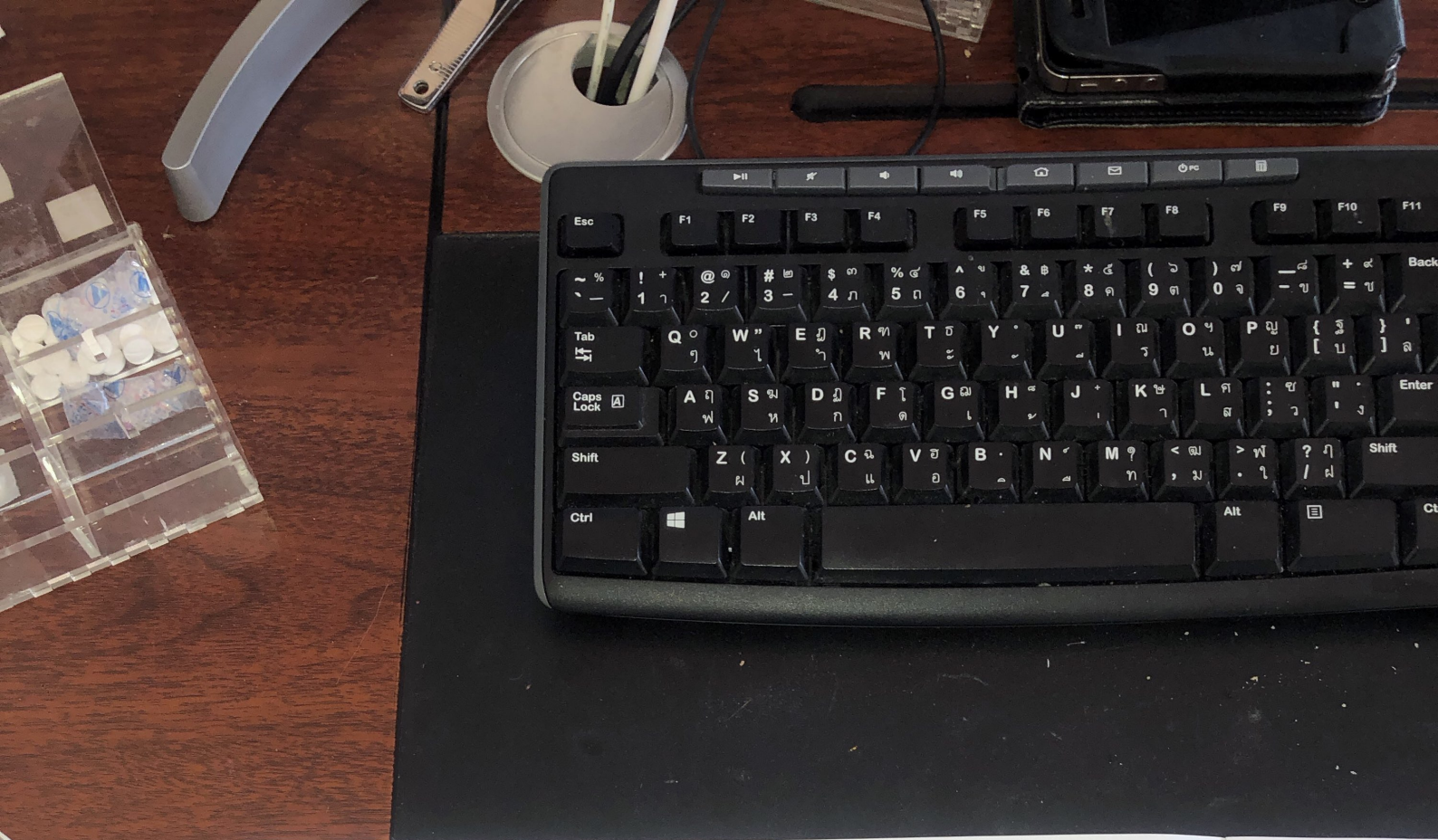
decal
贴纸



bend
弯曲

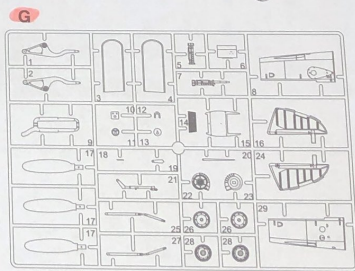
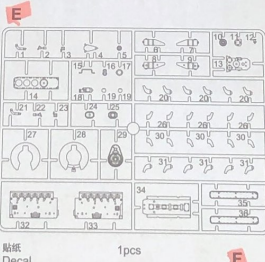
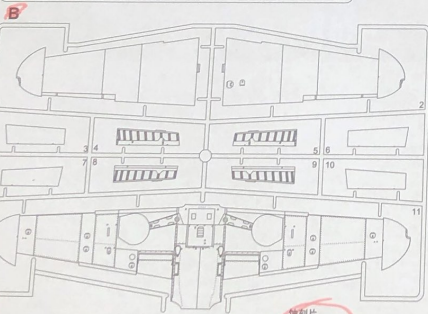
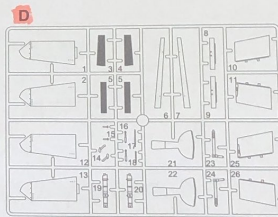
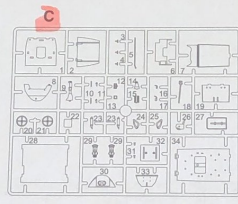
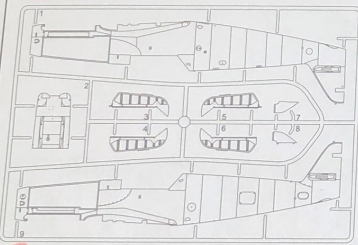


file / sand
锉平

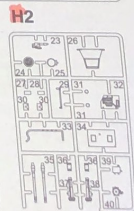
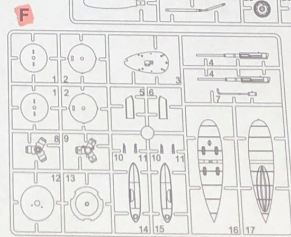
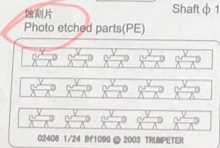
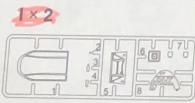
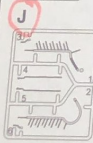


部品图 Parts

A x 2

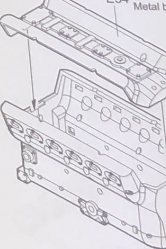


贴纸 Decal 1pcs
 轴 $\phi 1.0 \times 45\text{mm}$ 6pcs
 Shaft $\phi 1.0 \times 45\text{mm}$
 轴 $\phi 1.0 \times 35\text{mm}$ 3pcs
 Shaft $\phi 1.0 \times 35\text{mm}$

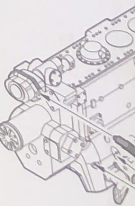


02409

1 发动机的组装 Engine assembly



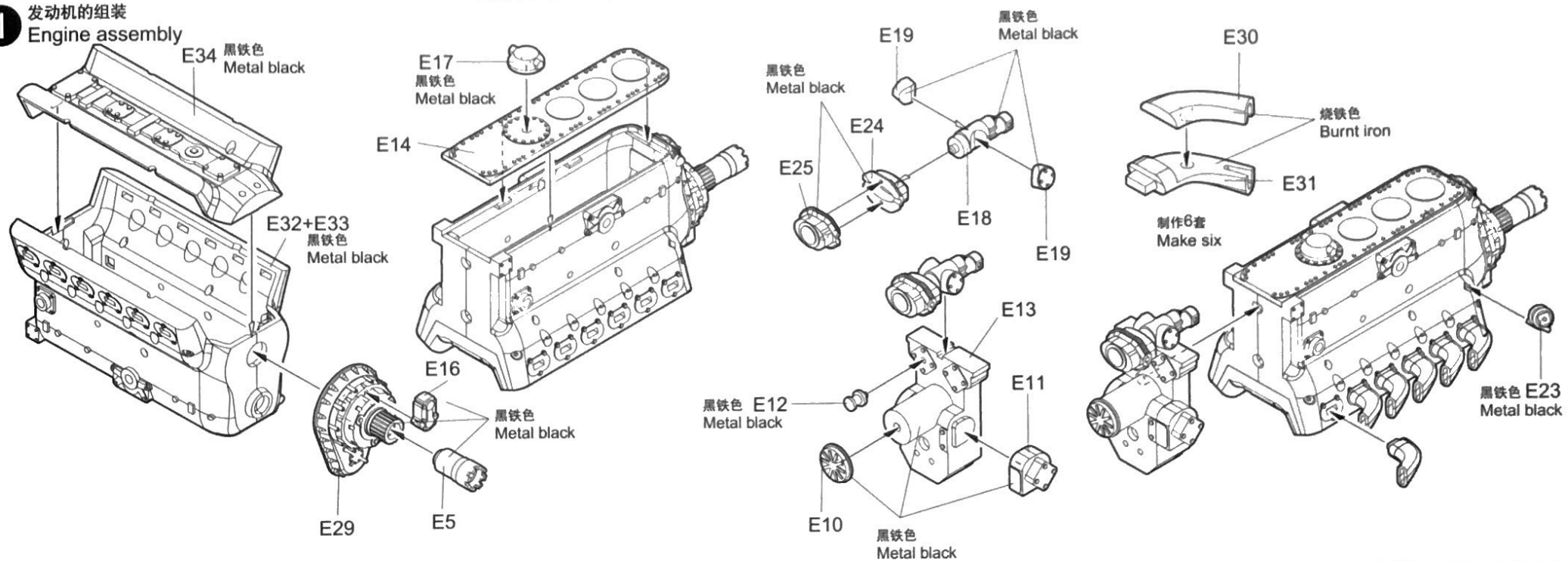
2 发动机的组装 Engine assembly



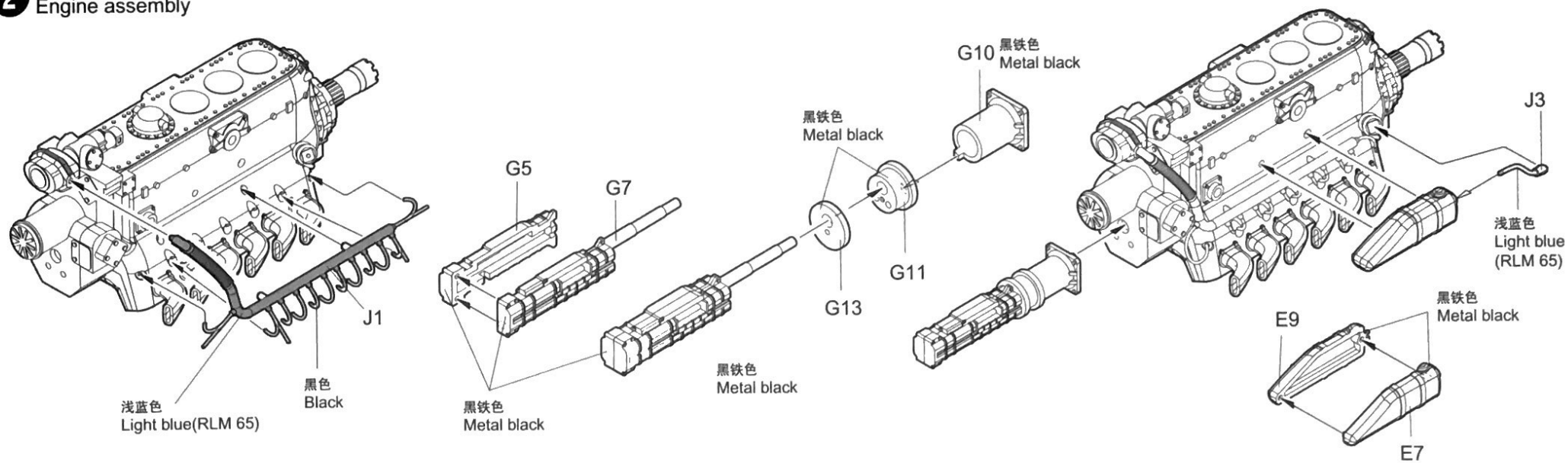
浅蓝色 Light blue

02409

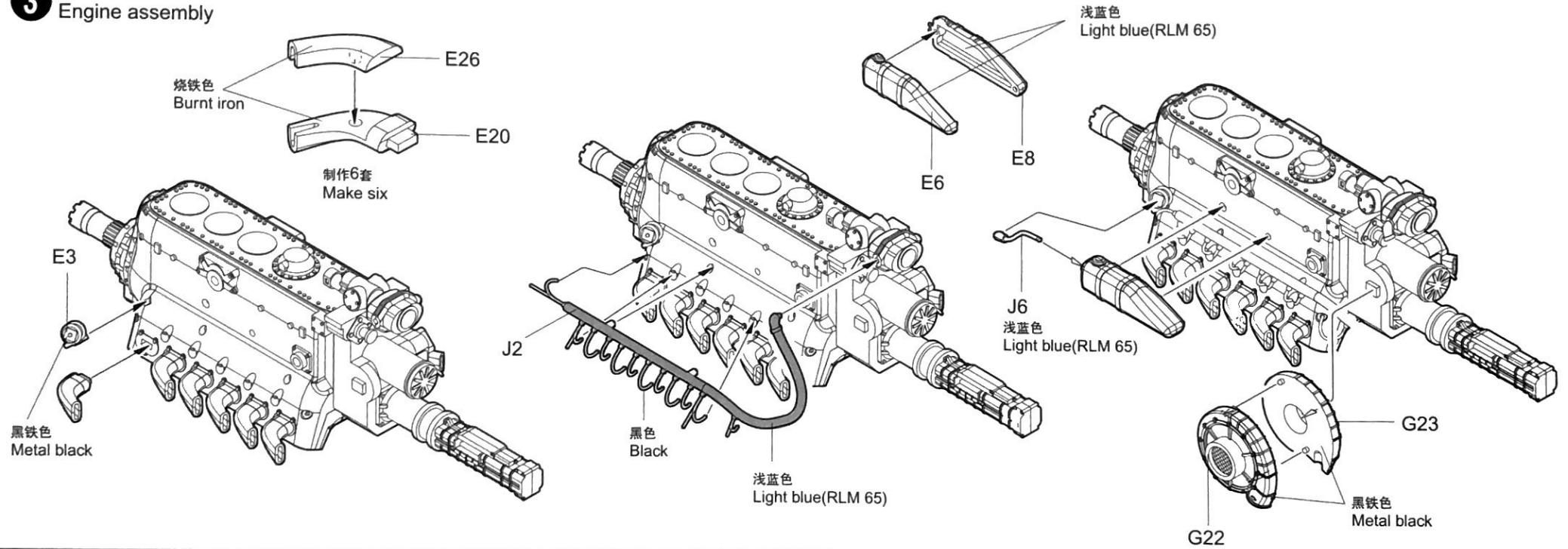
1 发动机的组装
Engine assembly



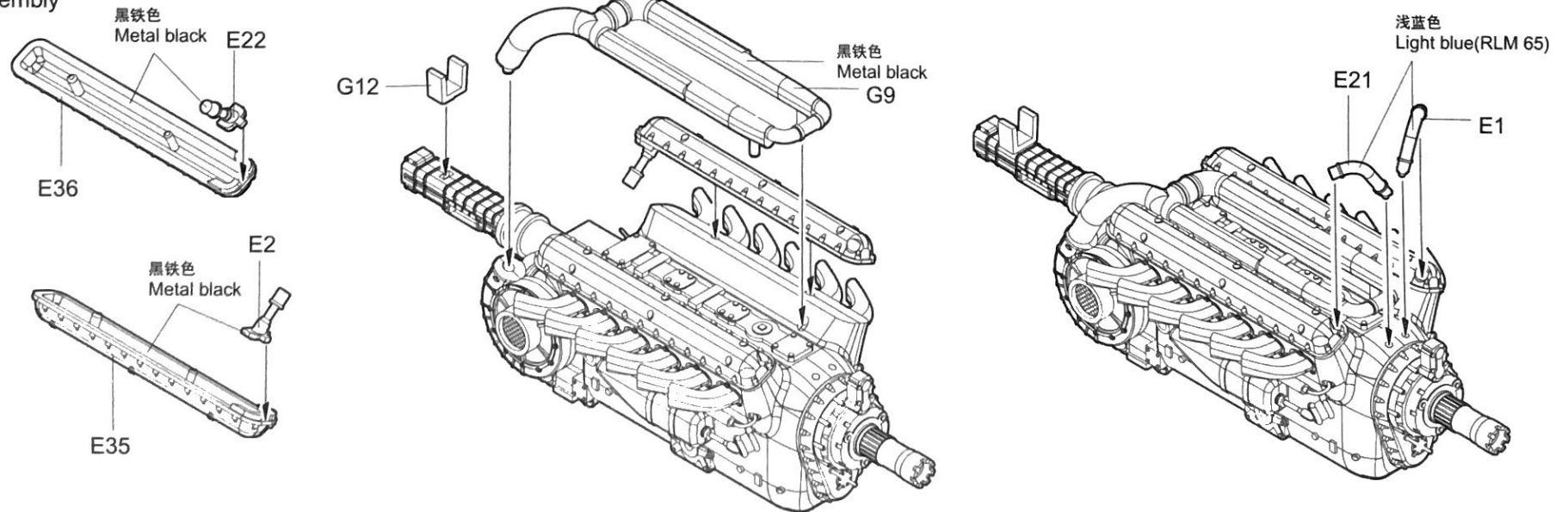
2 发动机的组装
Engine assembly



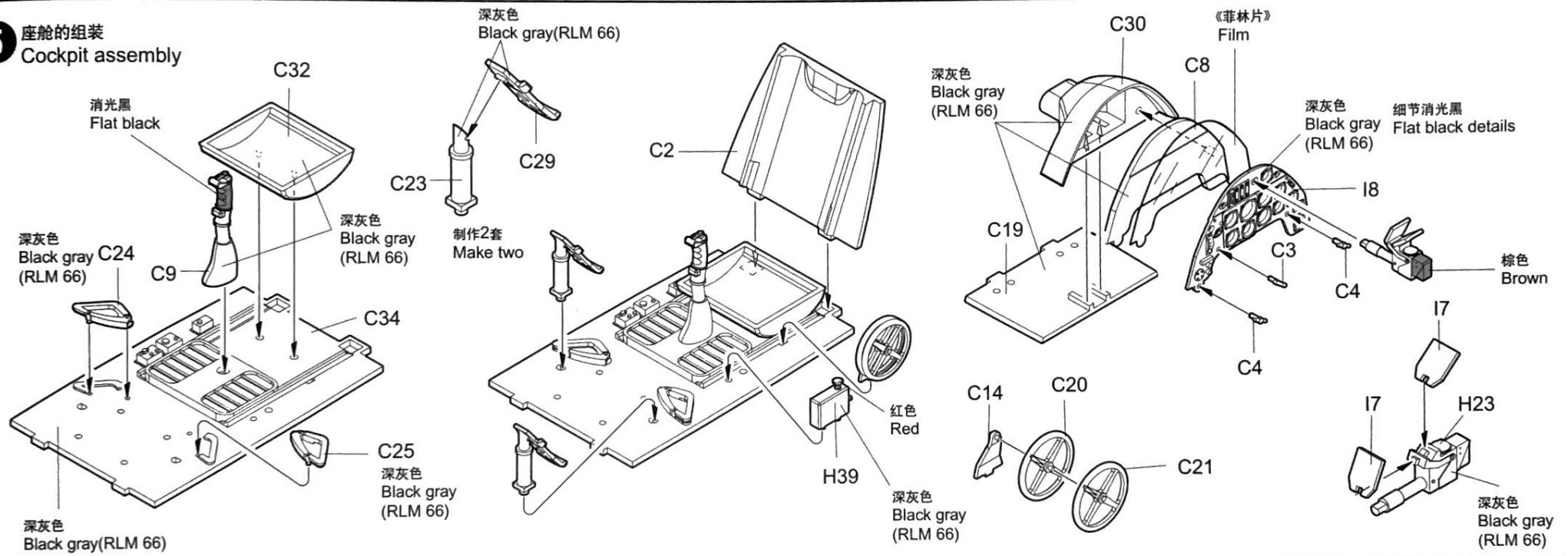
3 发动机的组装
Engine assembly



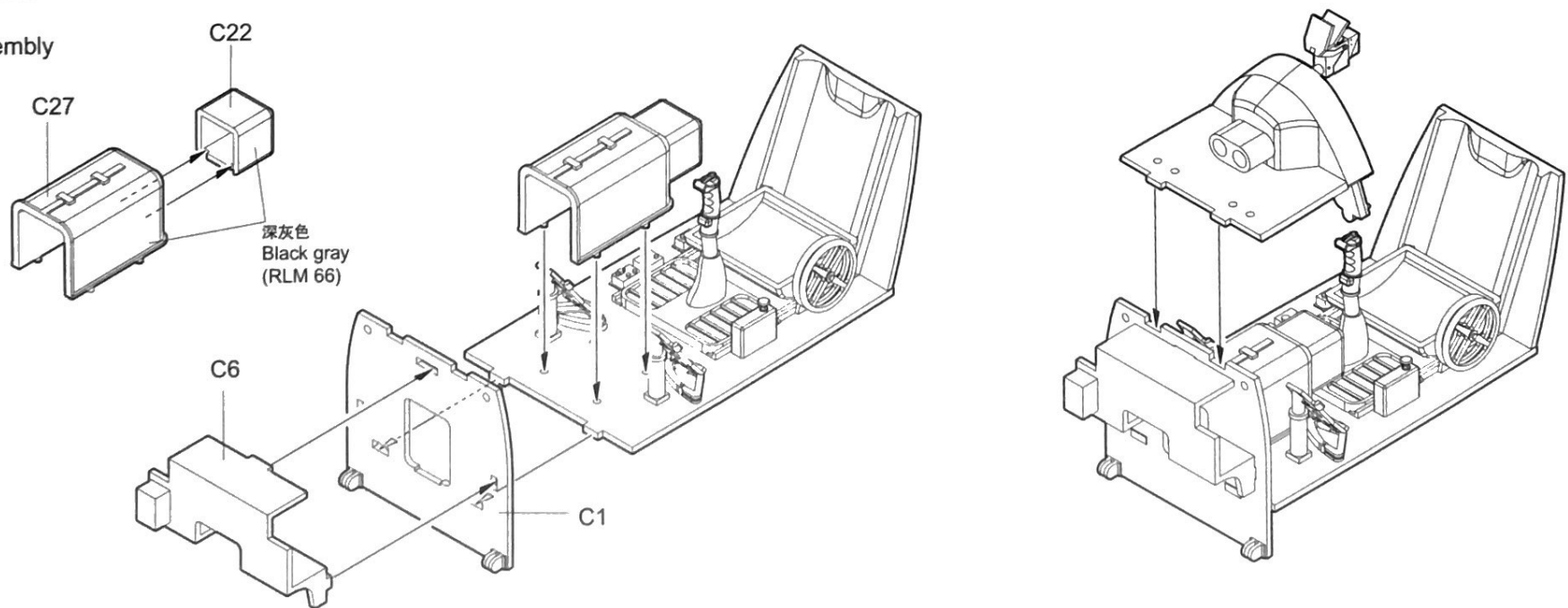
4 发动机的组装
Engine assembly



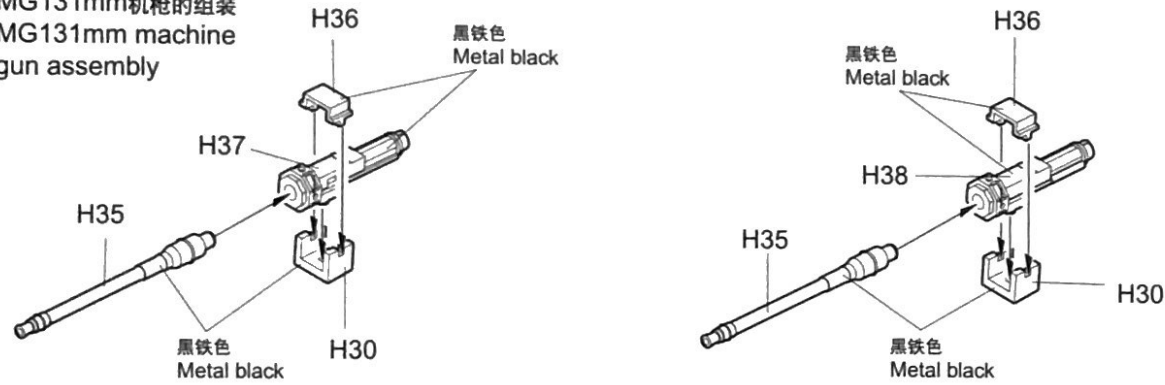
5 座舱的组装
Cockpit assembly



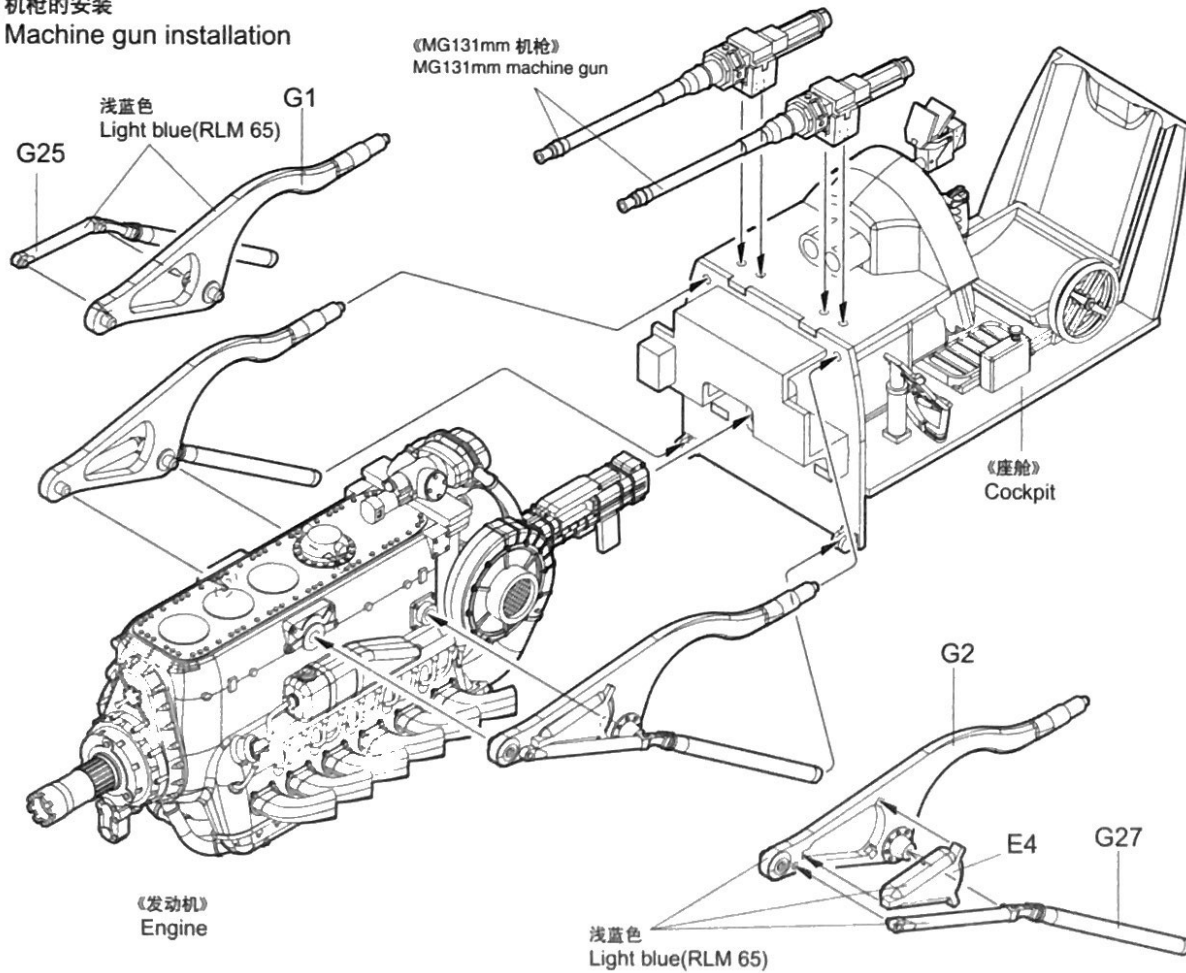
6 座舱的组装
Cockpit assembly



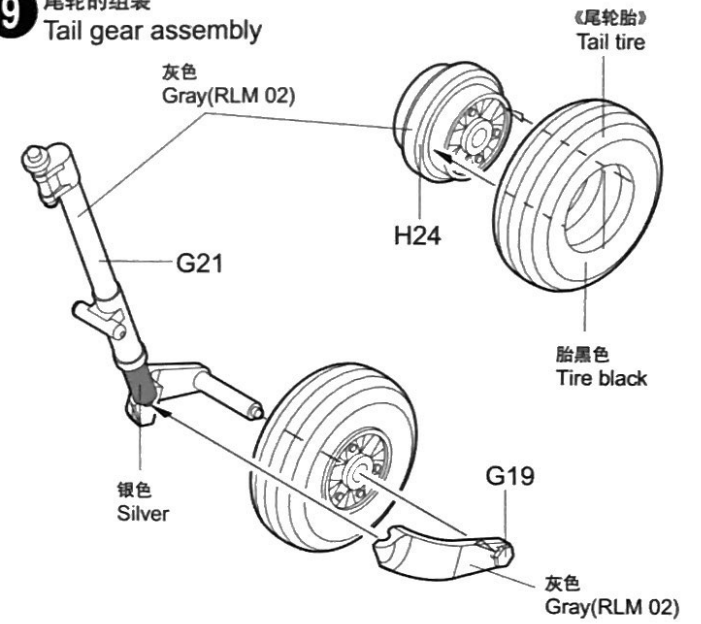
7 MG131mm机枪的组装
MG131mm machine gun assembly



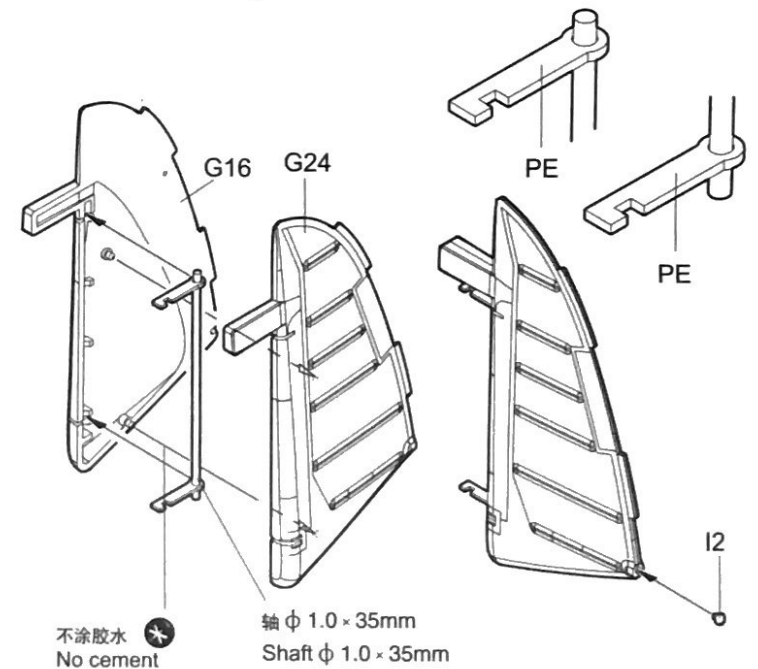
8 机枪的安装
Machine gun installation



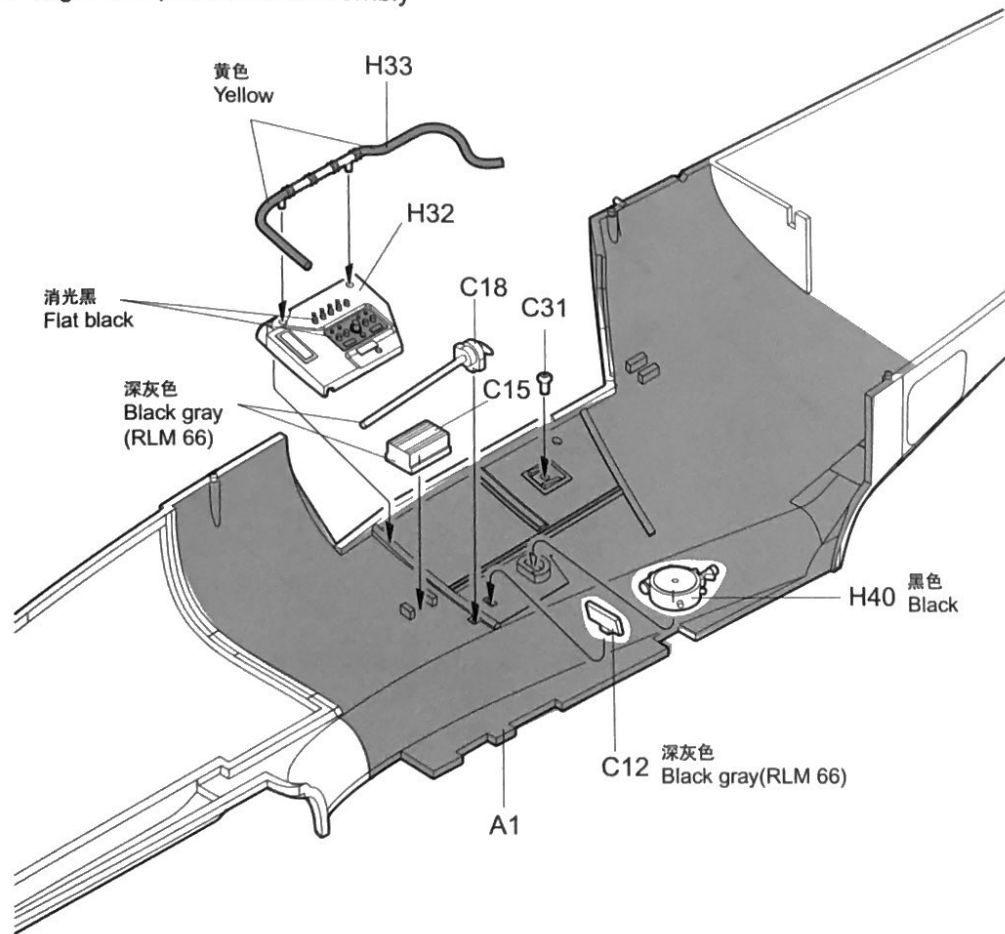
9 尾轮的组装
Tail gear assembly



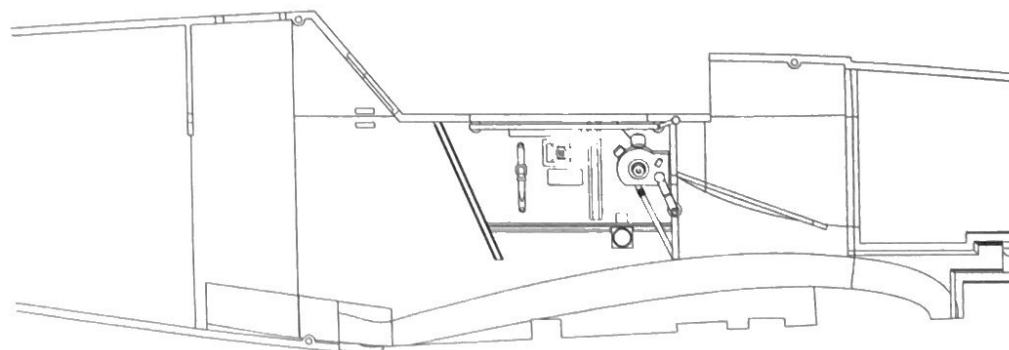
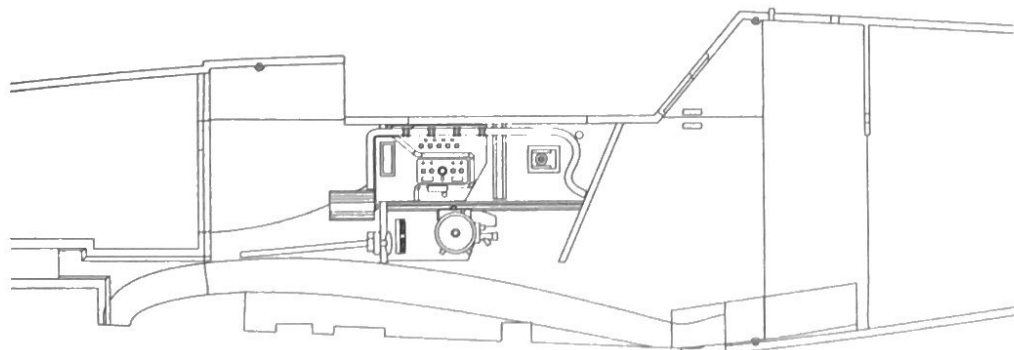
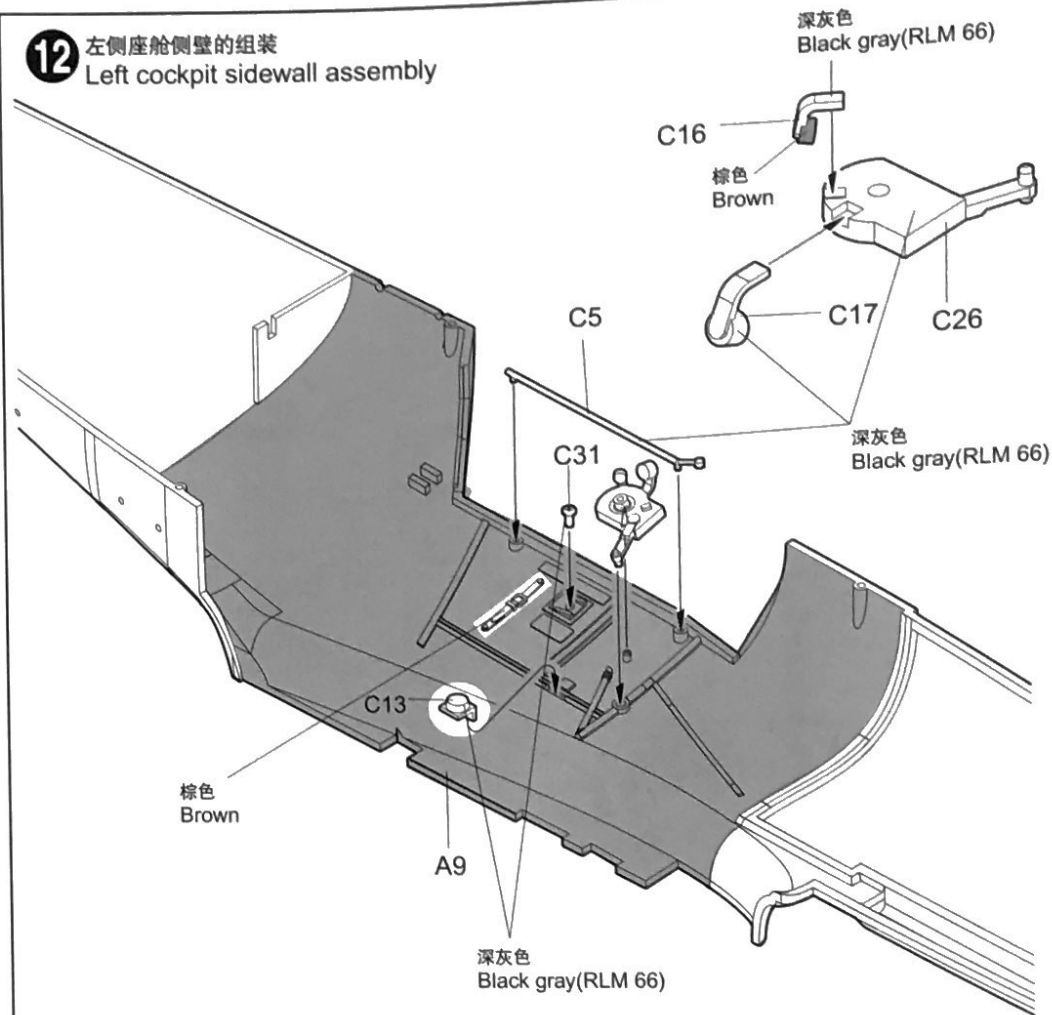
10 方向舵的组装
Rudder assembly



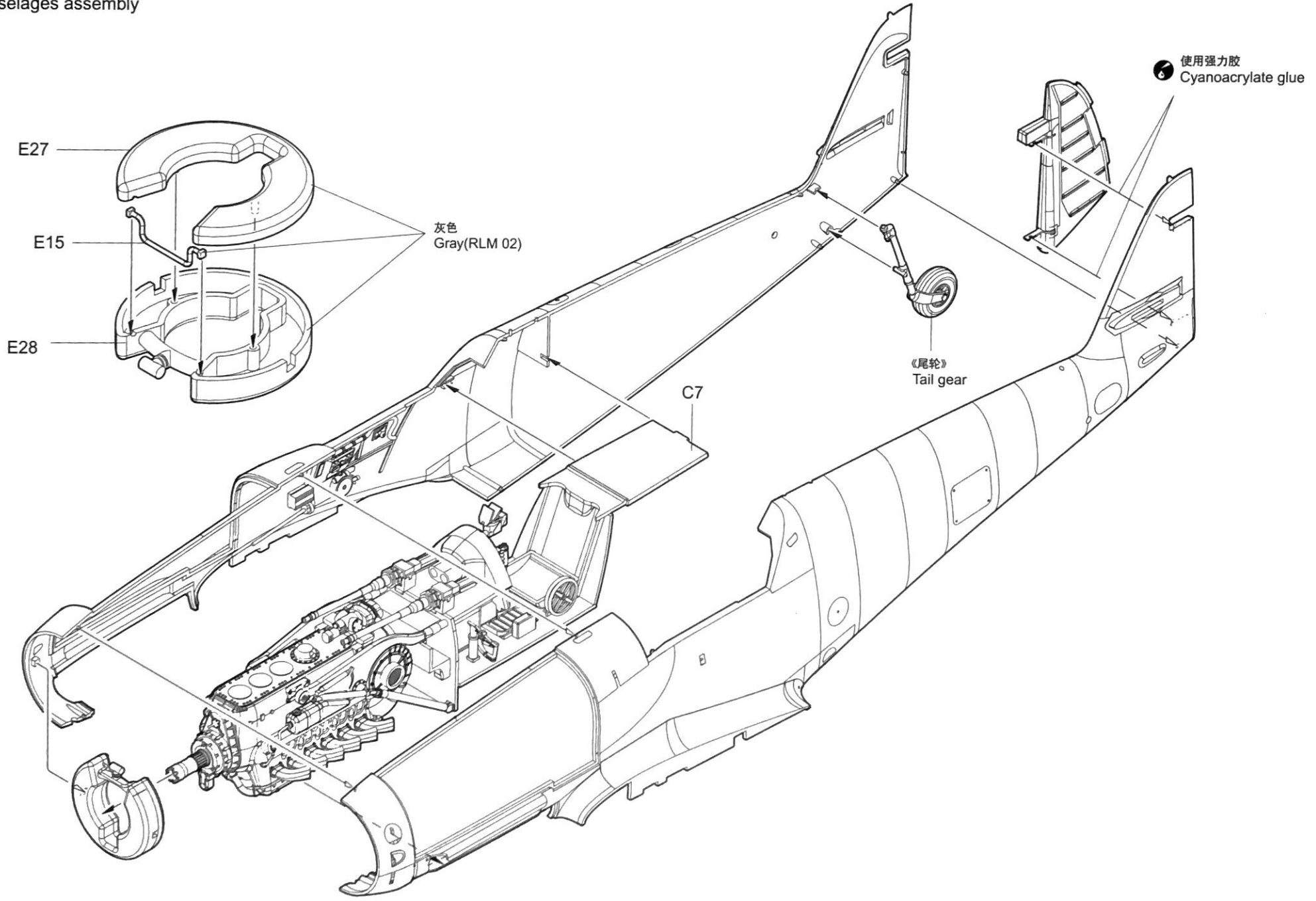
11 右侧座舱侧壁的组装
Right cockpit sidewall assembly



12 左侧座舱侧壁的组装
Left cockpit sidewall assembly

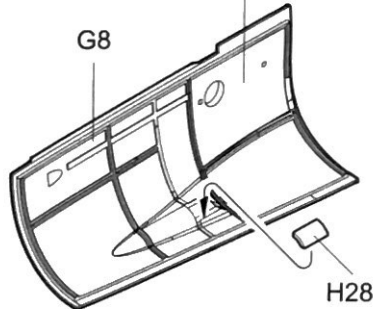
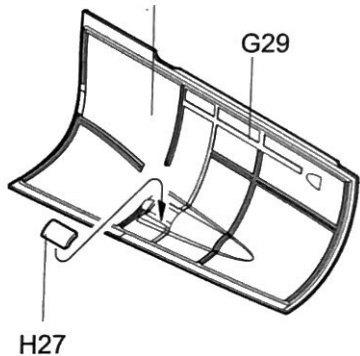


13 机身的组装
Fuselages assembly

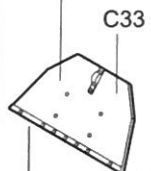


深灰色
Black gray(RLM 66)

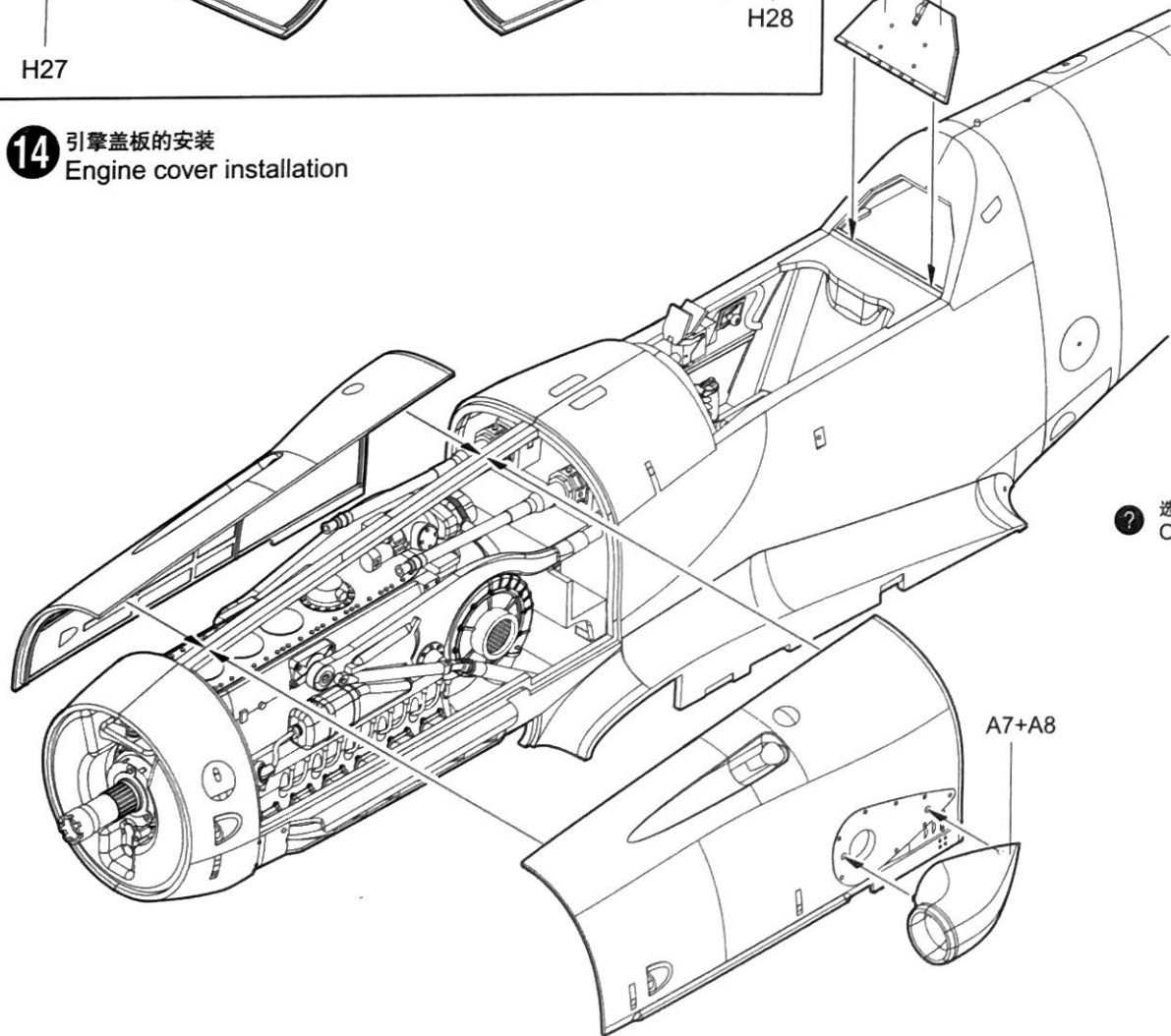
深灰色
Black gray(RLM 66)



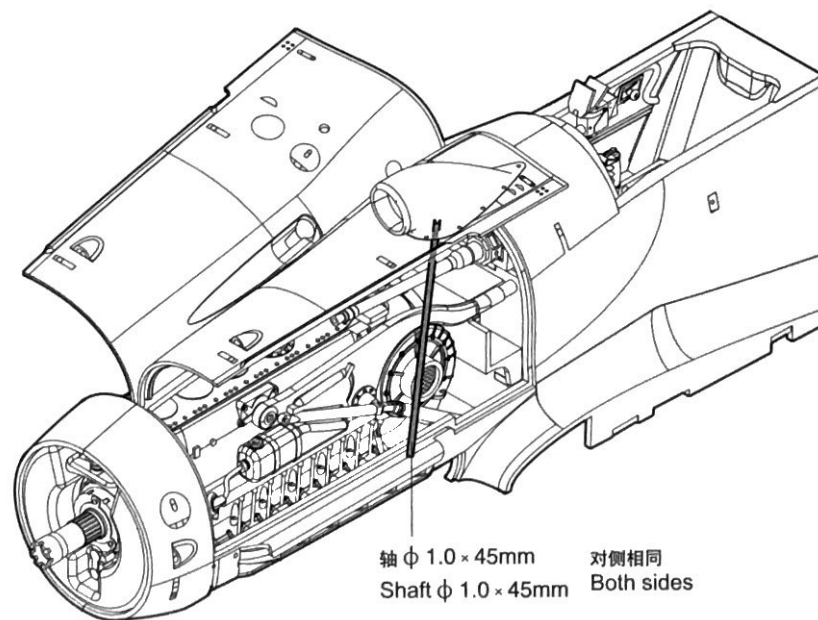
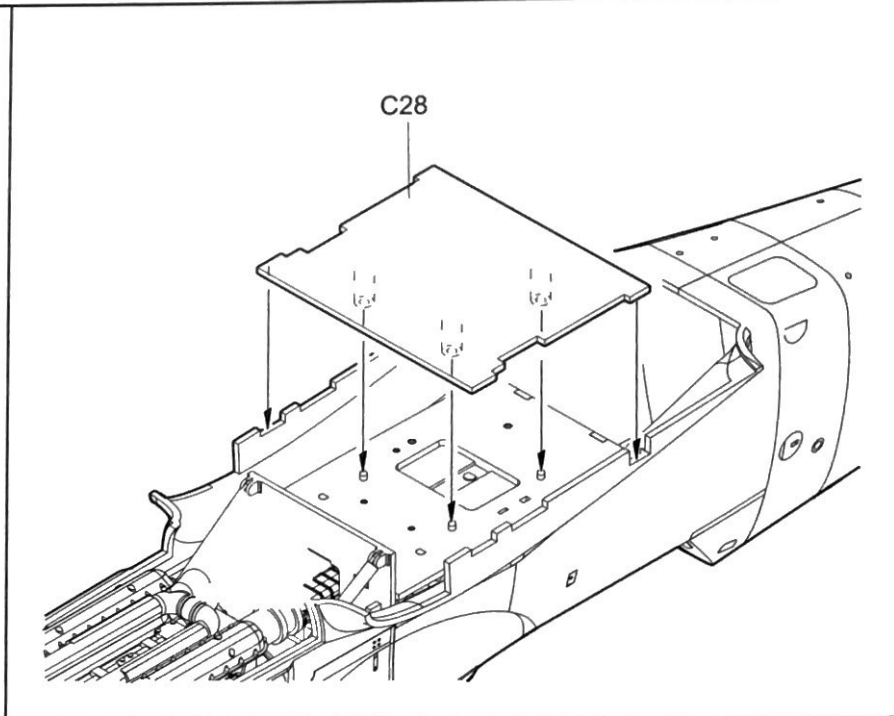
深灰色
Black gray(RLM 66)



14 引擎盖板的安装 Engine cover installation

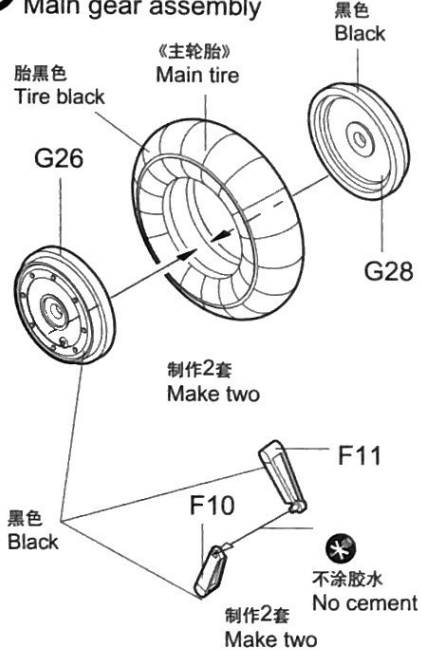


2 选择
Option

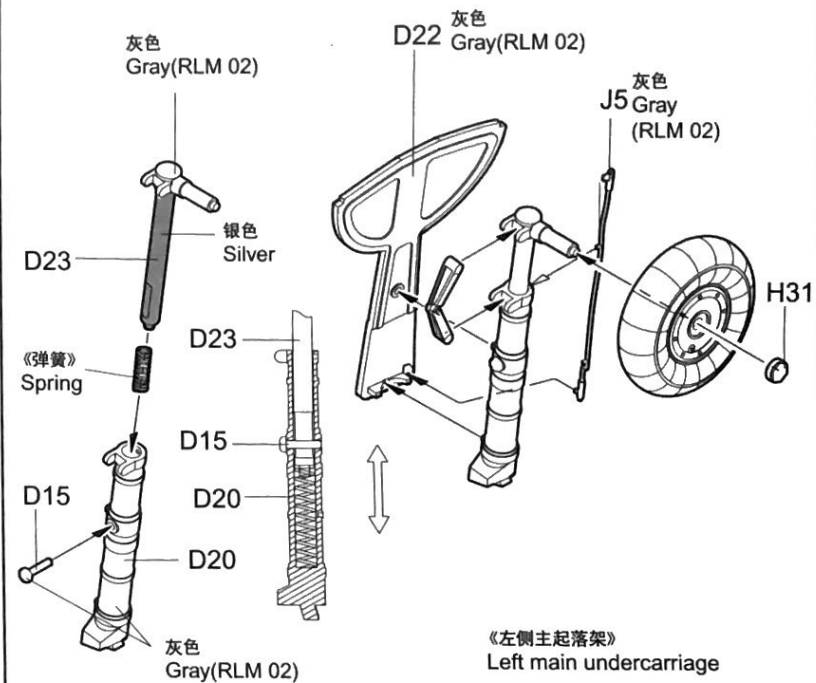
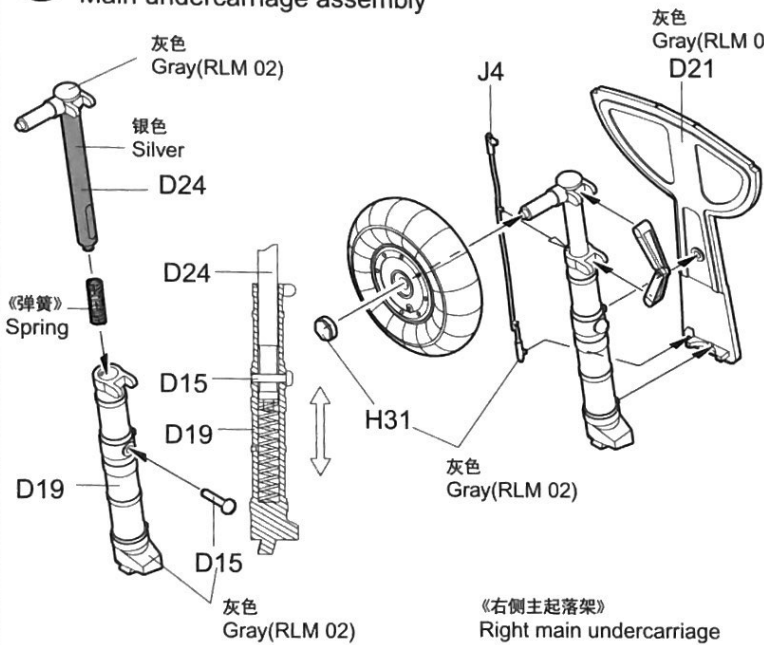


轴 ϕ 1.0 \times 45mm 对侧相同
Shaft ϕ 1.0 \times 45mm Both sides

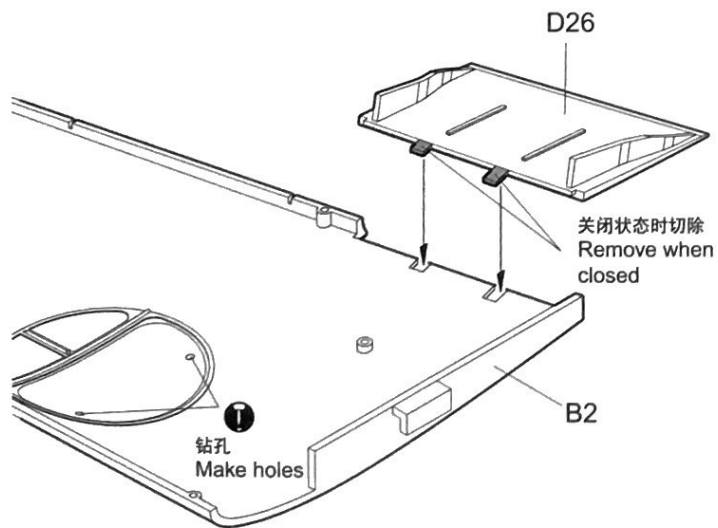
15 主轮的组装
Main gear assembly



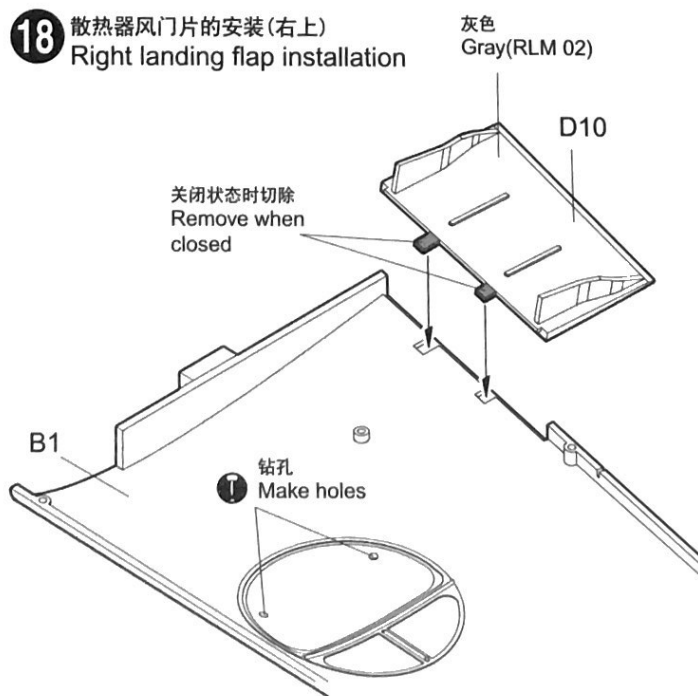
16 主起落架的组装
Main undercarriage assembly



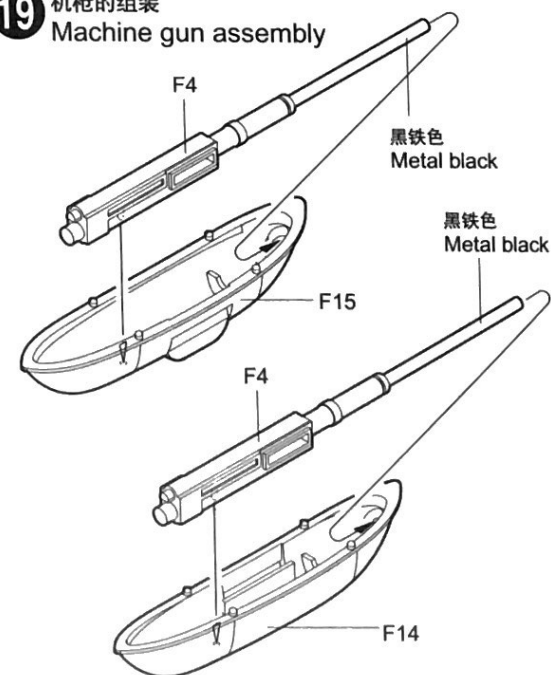
17 散热器风门片的安装(左上)
Left landing flap installation



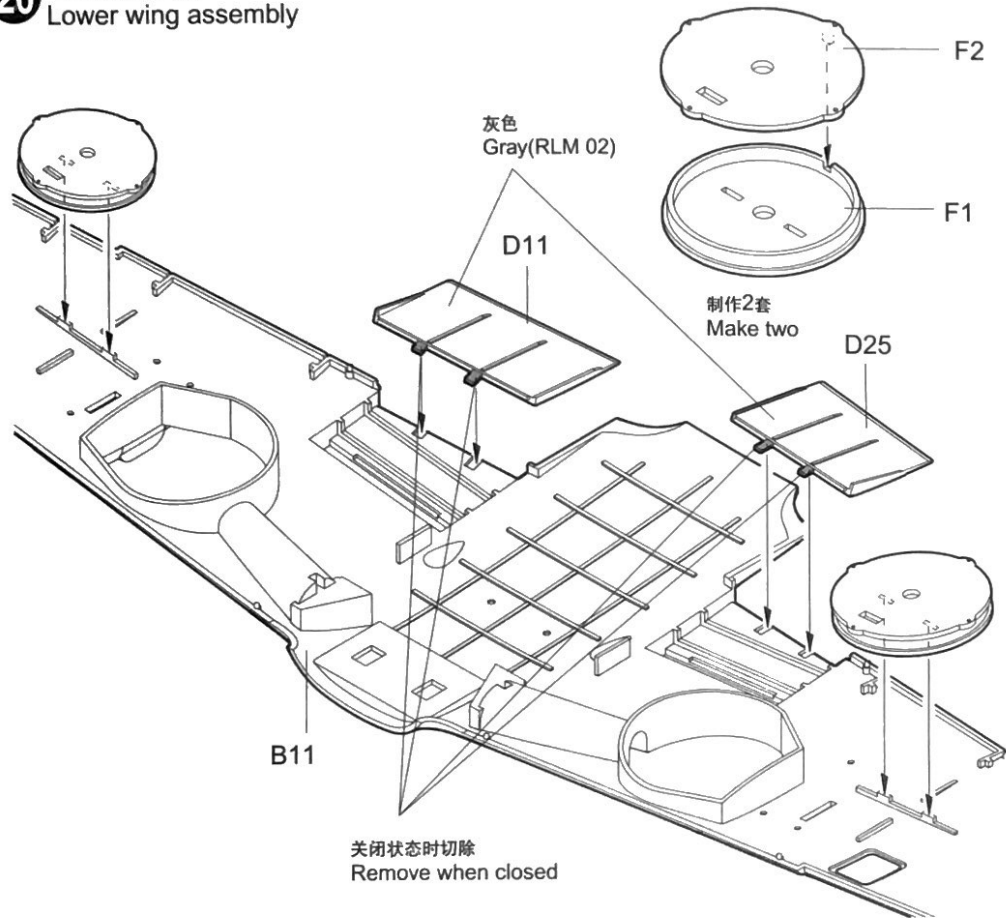
18 散热器风门片的安装(右上)
Right landing flap installation



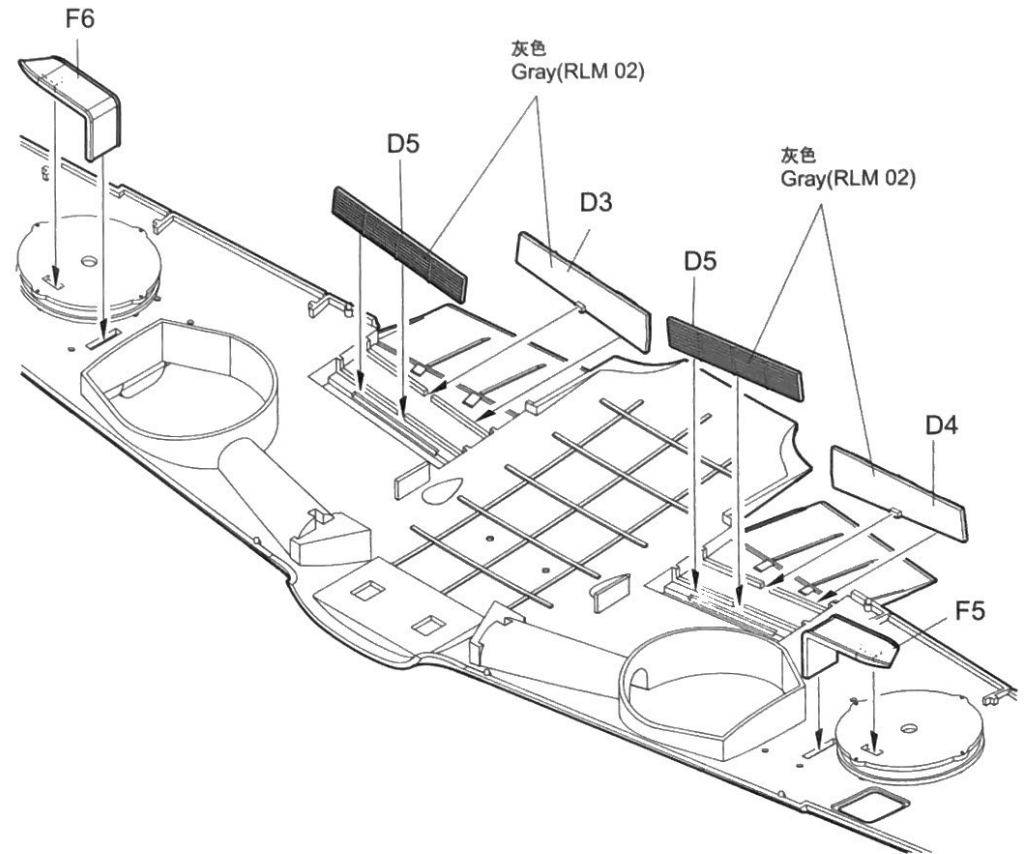
19 机枪的组装
Machine gun assembly



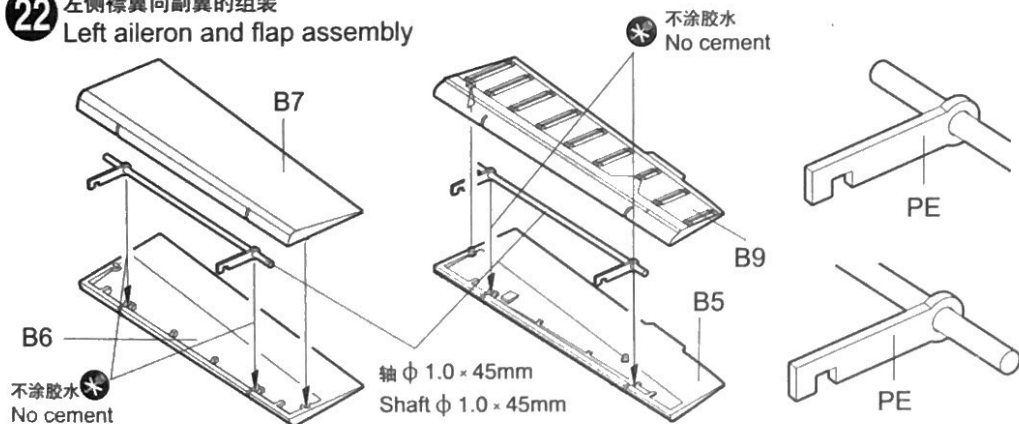
20 下部机翼的组装
Lower wing assembly



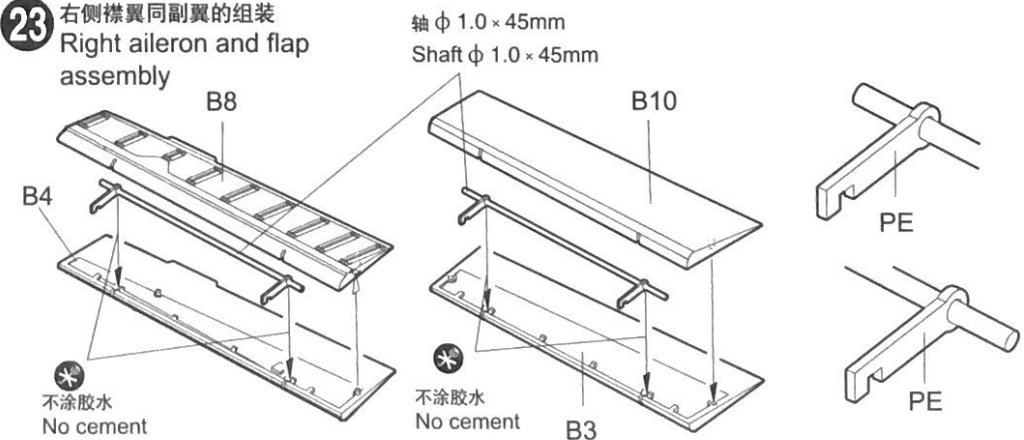
21 下部机翼的组装
Lower wing assembly



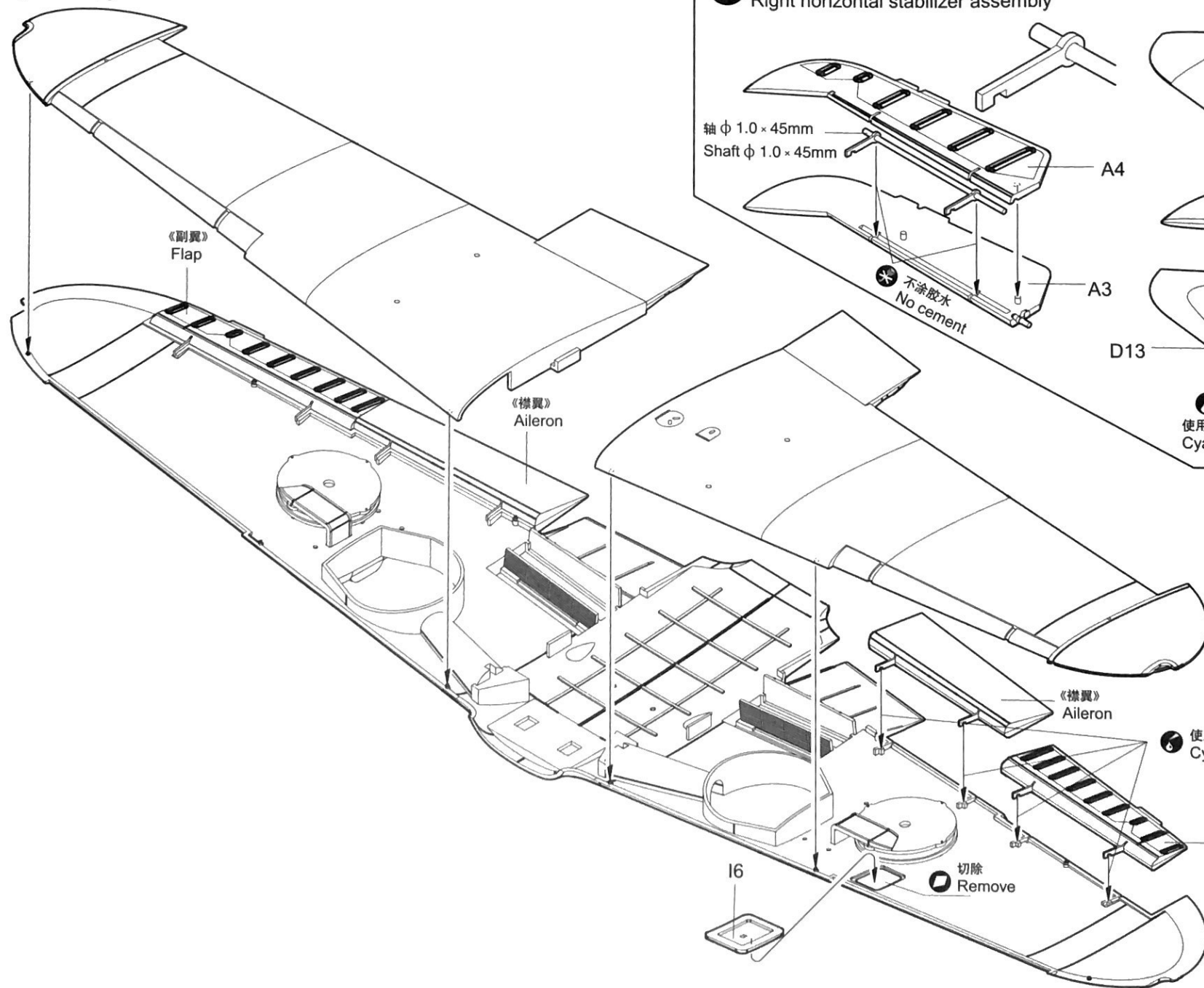
22 左侧襟翼同副翼的组装
Left aileron and flap assembly



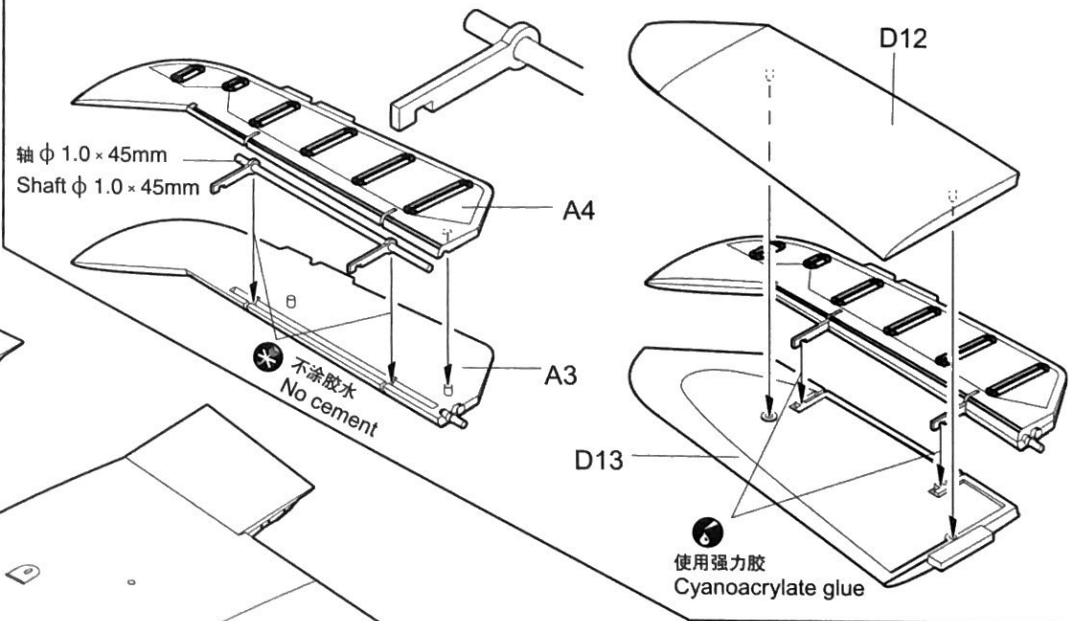
23 右侧襟翼同副翼的组装
Right aileron and flap assembly



24 主翼的组装
Wing assembly



25 左侧水平尾翼的组装
Right horizontal stabilizer assembly



26 机翼下部的安装
Wing bottom

I3 透明红
Clear red

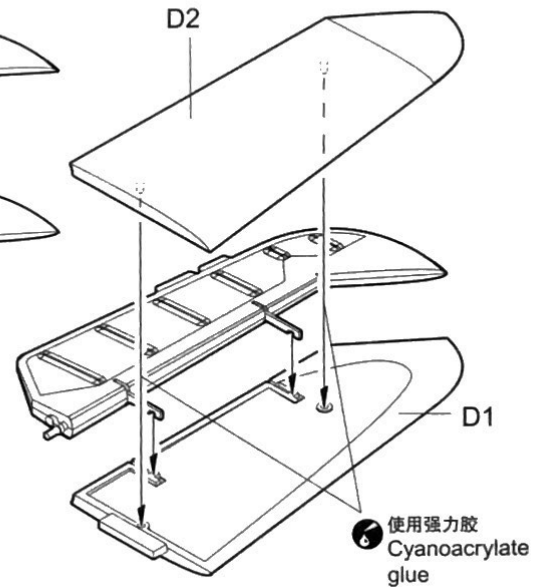
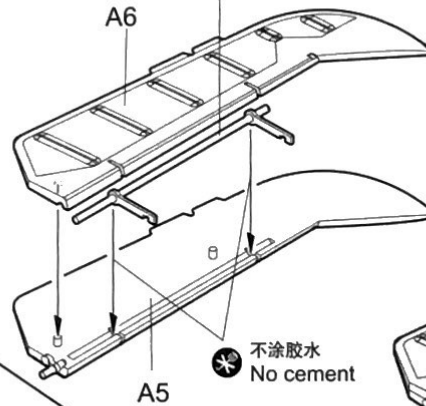
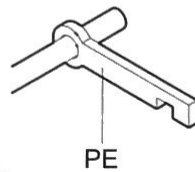
D14

D16

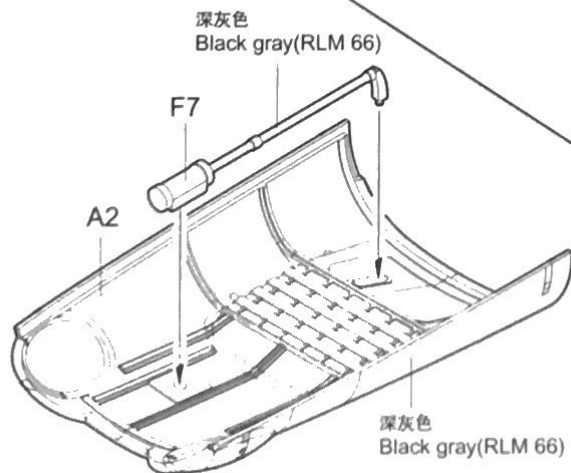
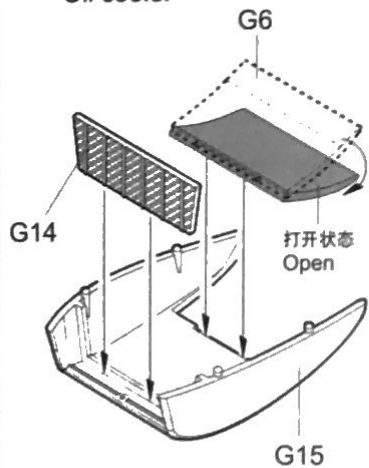
内侧灰色 D7
Gray(RLM 02)inside

27 左侧水平尾翼的组装
Left horizontal stabilizer assembly

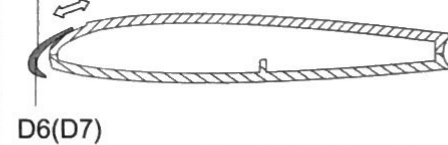
轴: $\phi 1.0 \times 35.0\text{mm}$
Shaft: $\phi 1.0 \times 35.0\text{mm}$



《汽油冷却器》
Oil cooler



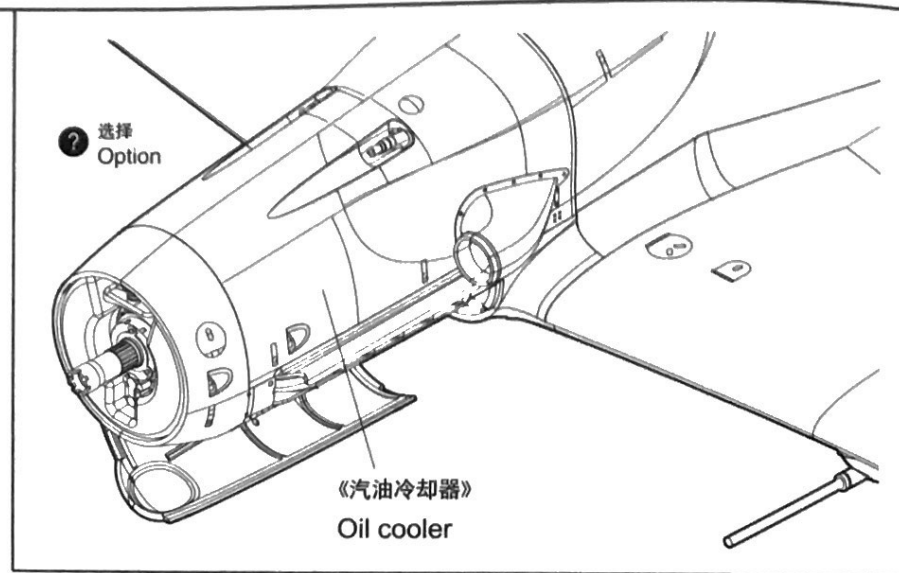
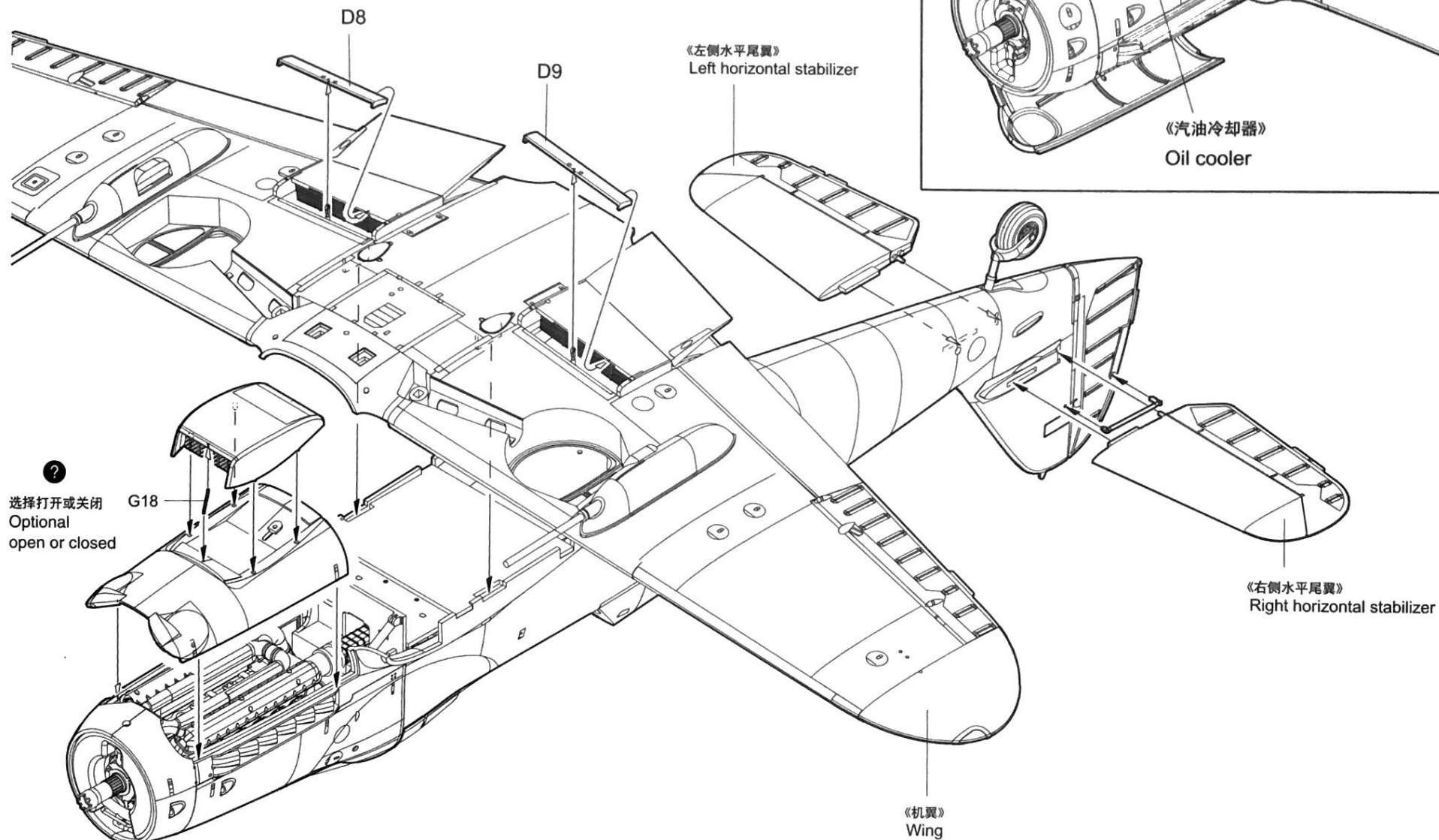
Extended position



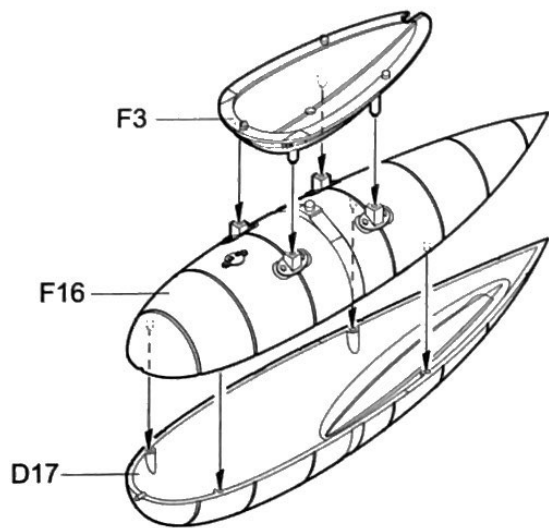
内侧灰色 D6
Gray(RLM 02)inside

透明绿 I4
Clear green

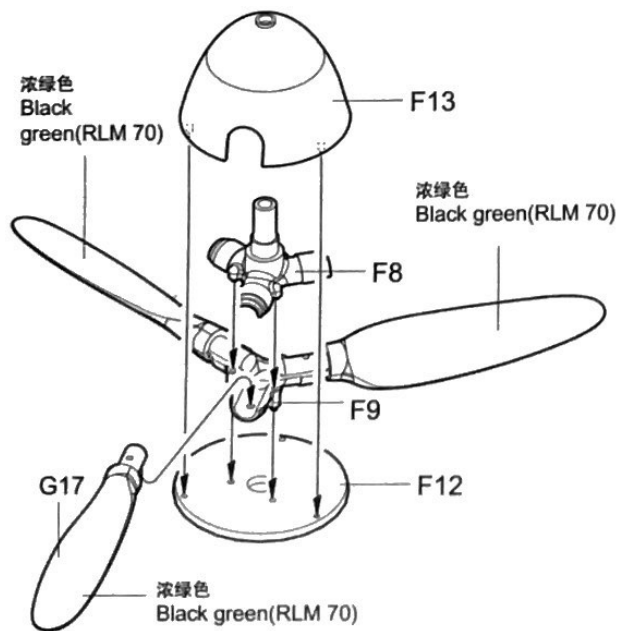
28 机翼的安装
Wing installation



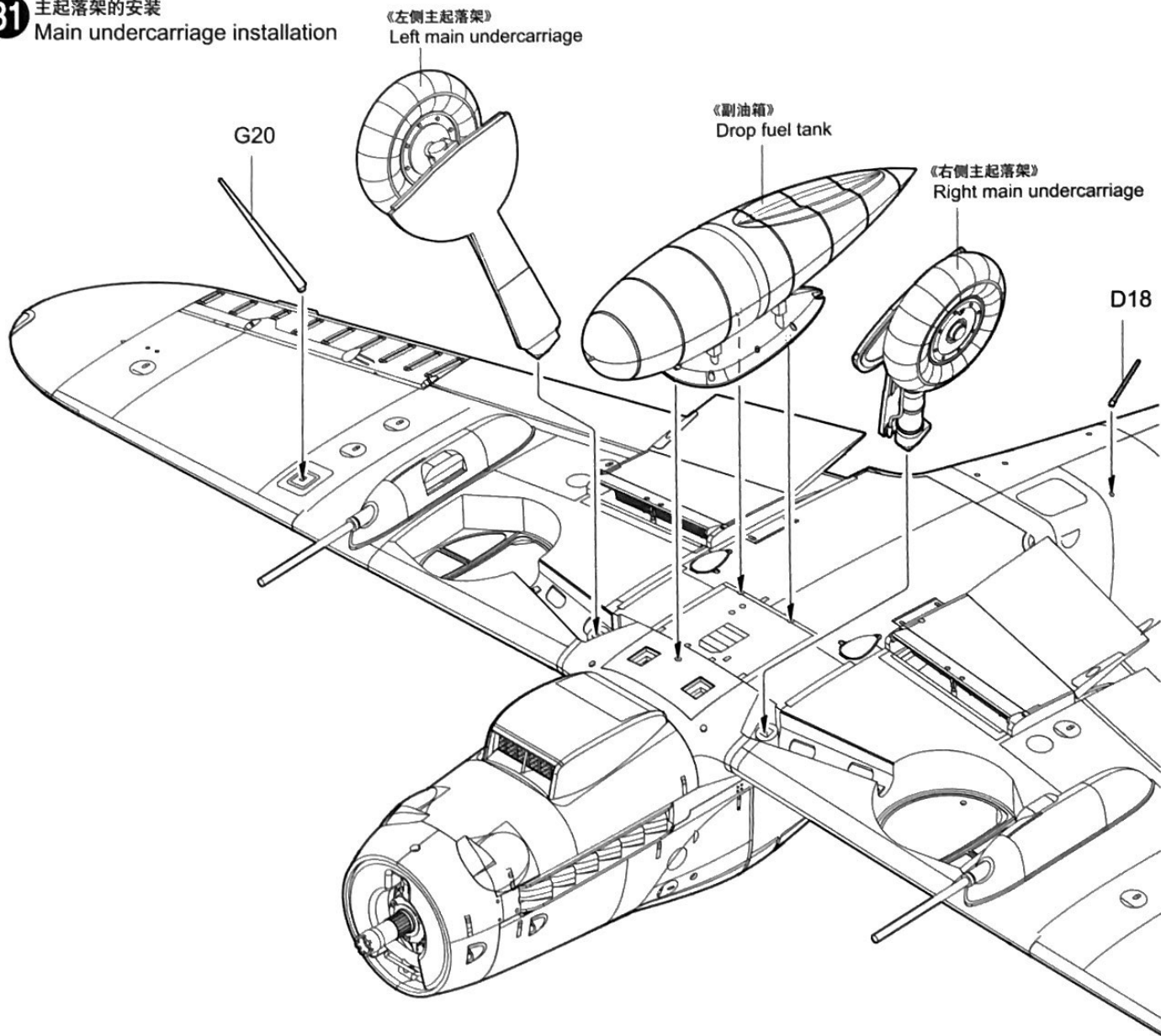
29 副油箱的组装
Drop fuel tank assembly



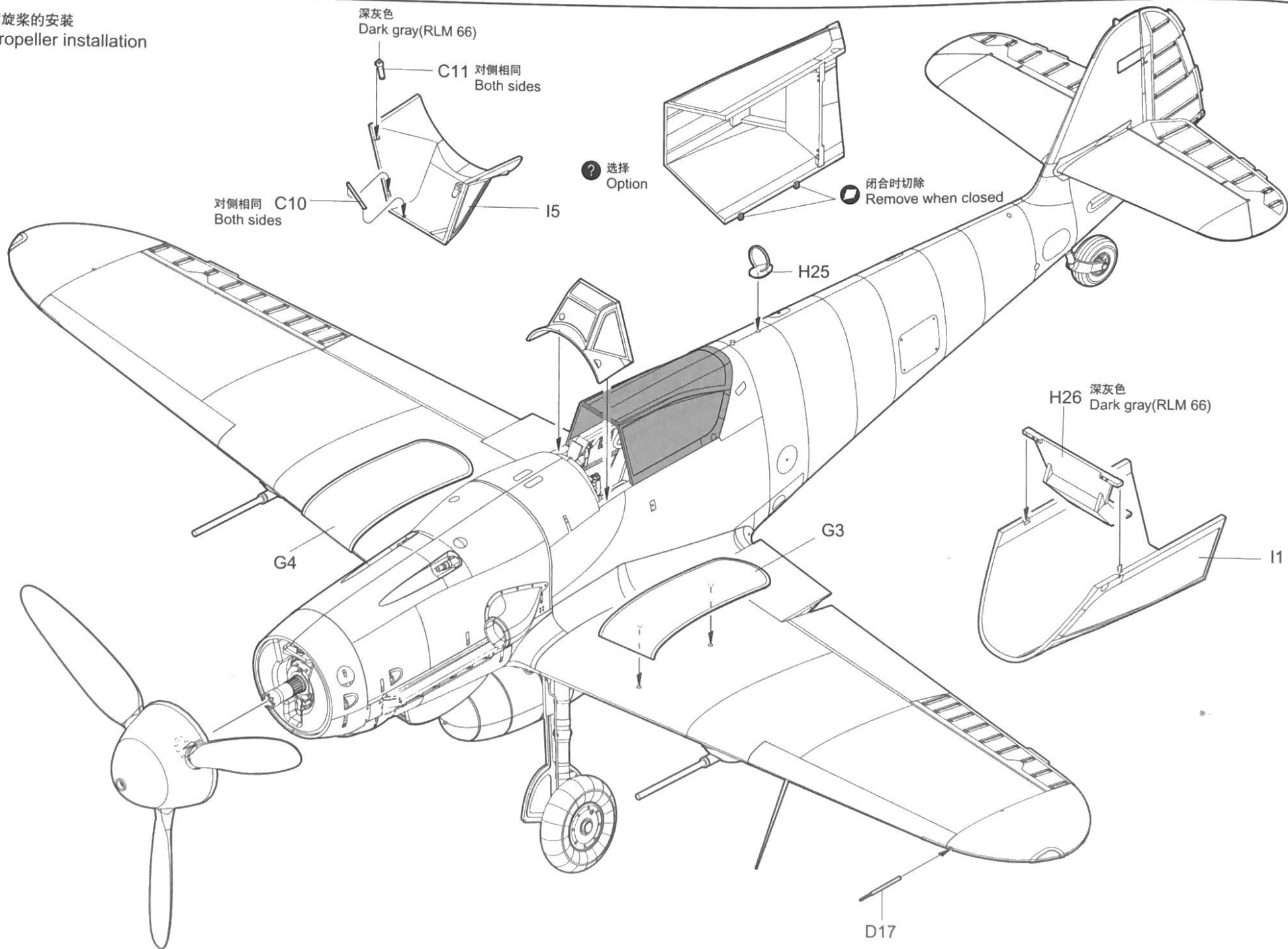
30 螺旋桨的组装
Propeller assembly



31 主起落架的安装
Main undercarriage installation

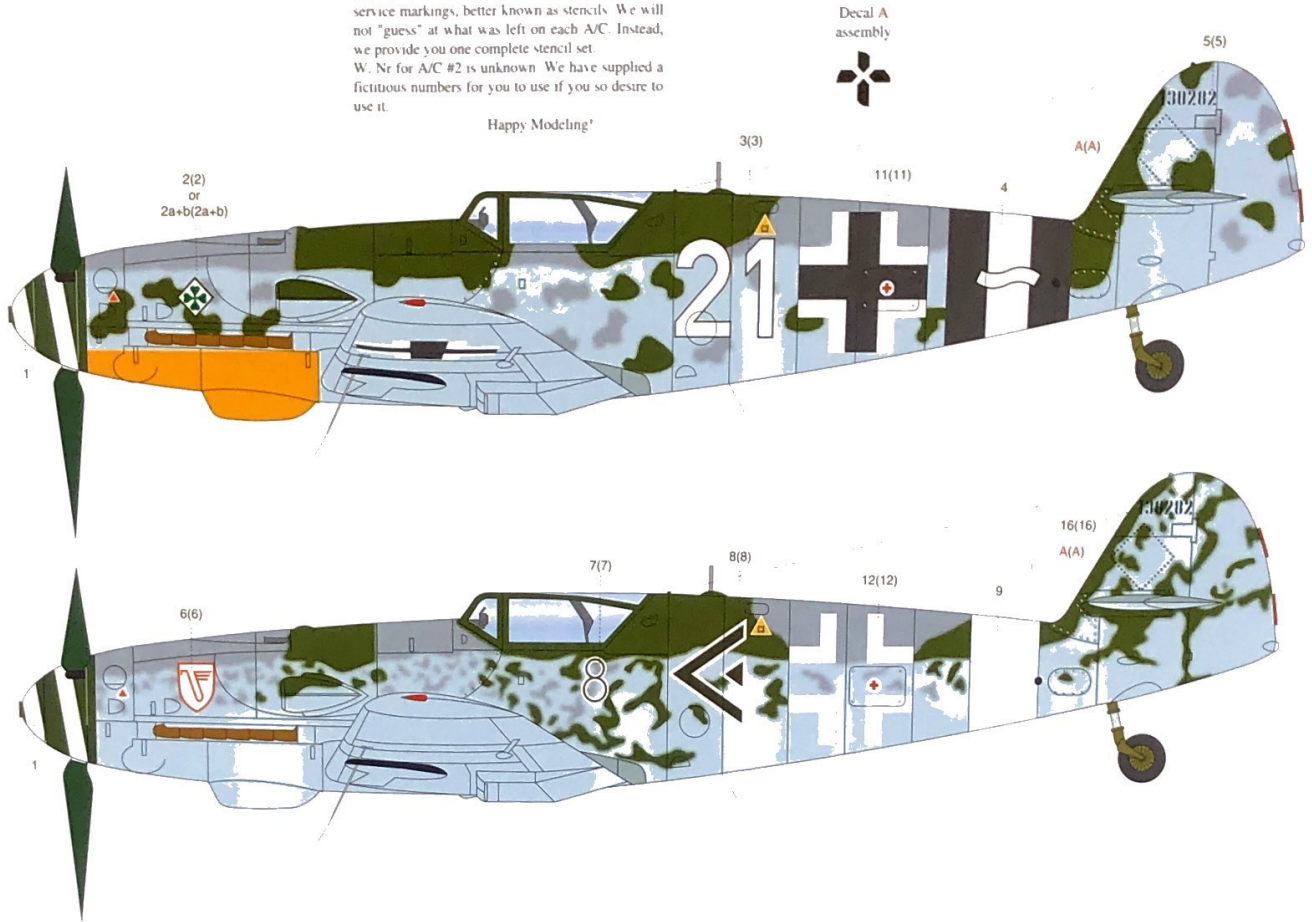


32 螺旋桨的安装
Propeller installation

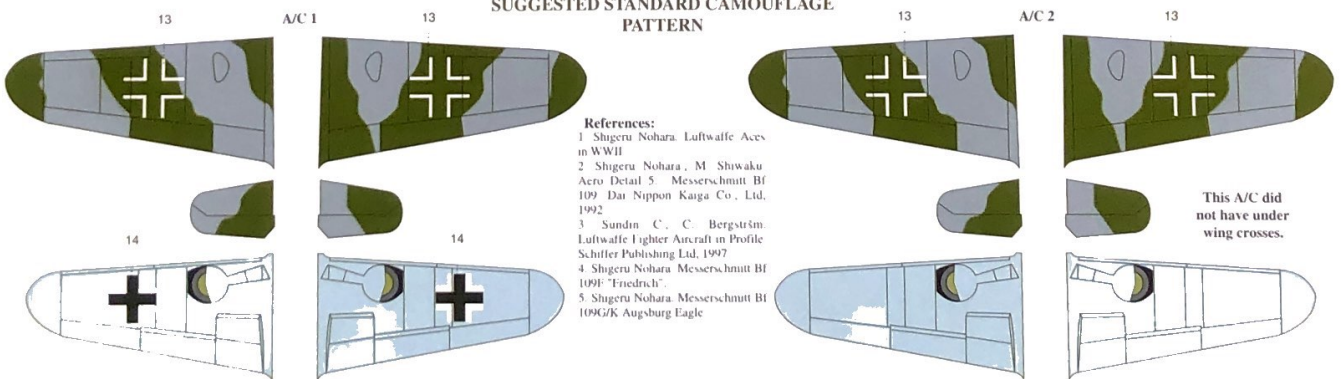




Most of these A/C were touched up or painted in the field, almost always obliterating the factory service markings, better known as stencils. We will not "guess" at what was left on each A/C. Instead, we provide you one complete stencil set. W. Nr for A/C #2 is unknown. We have supplied a fictitious numbers for you to use if you so desire to use it.



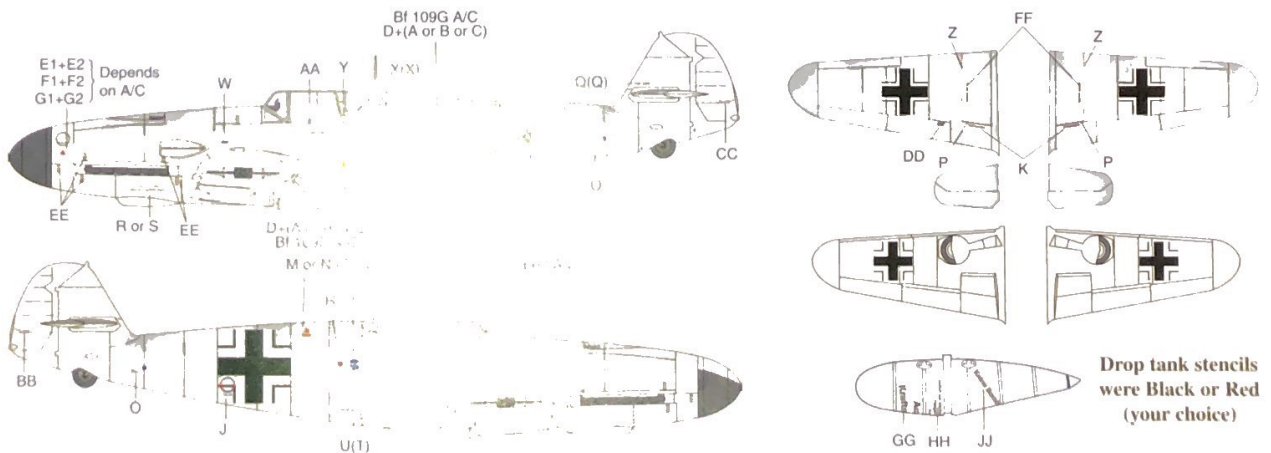
SUGGESTED STANDARD CAMOUFLAGE PATTERN



- References:**
 1. Shigeru Nohara. Luftwaffe Aces in WWII
 2. Shigeru Nohara, M. Shiwaku. Aero Detail 5. Messerschmitt Bf 109. Dai Nippon Kaiga Co., Ltd. 1992.
 3. Sundin, C., C. Bergström. Luftwaffe Lighter Aircraft in Profile. Schiffer Publishing Ltd, 1997.
 4. Shigeru Nohara. Messerschmitt Bf 109F "Friedrich".
 5. Shigeru Nohara. Messerschmitt Bf 109G/K Augsburg Eagle.

This A/C did not have under wing crosses.

Bf-109G GENERAL STENCIL PLACEMENT & CAMOUFLAGE PATTERN



Drop tank stencils were Black or Red (your choice)

Serving with IV/JG4 1/Hptm Franz Wenzel, who scored 17 victories, was killed flying this Bf 109G-10 against marauding Allied warplanes over Germany in Nov. 1944. His mount wears the day fighter scheme of RLM 83/76. Note the RLM 04 Oelb cowling and spiraled RLM 70 spinner.

Bf 109G/10 III/JG3, Platz Paderborn Airfield, Germany, 1944. Down by Oblt. Alfred Seidl, who flew over 614 missions and scored 31 victories. The machine displays the narrow White band characteristics of this Wing with a camouflage of RLM 83/76 Greens and Grays with a White spiraled Black Spinner. We have pictures that proves this A/C did not have underwing crosses while in service, however this may have been only for a short while. Very thin edge Black Command

Color call outs are listed below:

MESSERSCHMITT Bf 109G

GERMAN WWII COLORS

MODEL MASTER ACRYL:

4771 LW00004 Gelb RLM 04 - codes & stripes
4772 LW00023 Rot RLM 23 - codes & stripes
4773 LW00024 Dunkelblau RLM 24 - codes & stripes
4774 LW00025 Hellgrun RLM 25 - codes & stripes
4779 LW00066 Schwarzgrau RLM 66 (interiors)
4780 LW00070 Schwarzgrun RLM 70 (prop blades)
4784 LW00074 Graugrun RLM 74
4785 LW00075 Grauviolett RLM 75
4786 LW00076 Lichtblau RLM 76
4787 LW00077 Hellgrau RLM 77
4788 LW00078 Hellblau RLM 78
4789 LW00079 Sandgelb RLM 79
4790 LW00080 Olivgrun RLM 80
4791 LW00081 Braunviolett RLM 81
4792 LW00082 Dunkelgrun RLM 82
4793 LW00083 Lichtgrun RLM 83
4794 LW00084 Graublau RLM 84

MODEL MASTER II ENAMELS:

2072 Gelb RLM 04 - codes & stripes
2073 Rot RLM 23 - codes & stripes
2074 Dunkelblau RLM 24 - codes & stripes
2079 Schwarzgrau RLM 66 (interiors)
2080 Schwarzgrun RLM 70 (prop blades)
2084 Graugrun RLM 74
2085 Grauviolett RLM 75
2086 Lichtblau RLM 76
2087 Hellblau RLM 78
2088 Sandgelb RLM 79
2089 Olivgrun RLM 80
2090 Braunviolett RLM 81
2091 Dunkelgrun RLM 82
2092 Lichtgrun RLM 83

Floquil POLLY SCALE MILITARY ACRYLIC

F505011 White (RLM 21 White - codes & stripes)
F505014 Scale Black (RLM 66 - interiors)
F505017 Yellow (RLM 04 Yellow - codes & stripes)
F505020 Red (RLM 23 Red - codes & stripes)
F505023 Dark Blue (RLM 24 Blue - codes & stripes)
F505026 Green (RLM 25 Green - codes & stripes)
F505055 RLM 70 Black Green (prop blades)
F505059 RLM 74 Dark Gray
F505060 RLM 75 Gray Violet
F505061 RLM 76 Light Gray
F505070 RLM 81 Brown Violet
F505071 RLM 82 Dark Green
F505072 RLM 83 Light Green
F505075 RLM 02 Gray
F505318 RLM 78 Lt. Blue
F505320 RLM 79 Sand Yellow
F505322 RLM 80 Olive Green
F505324 RLM 84 Sky Green
