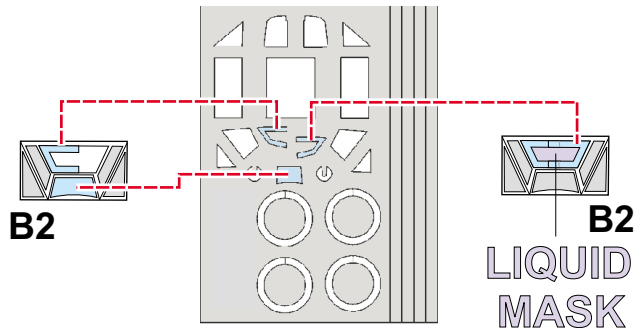
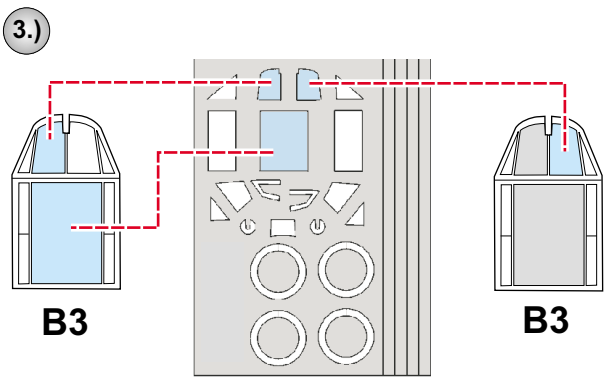
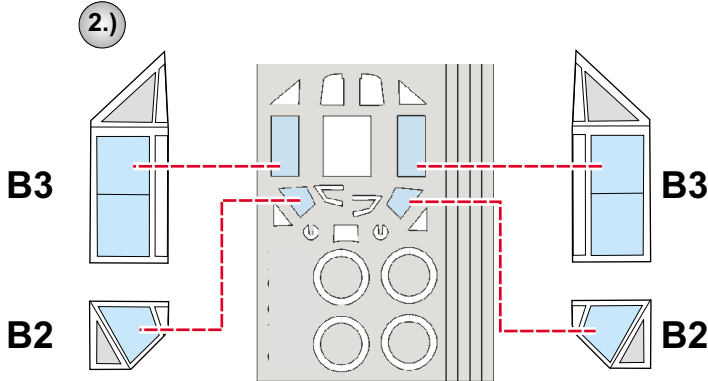
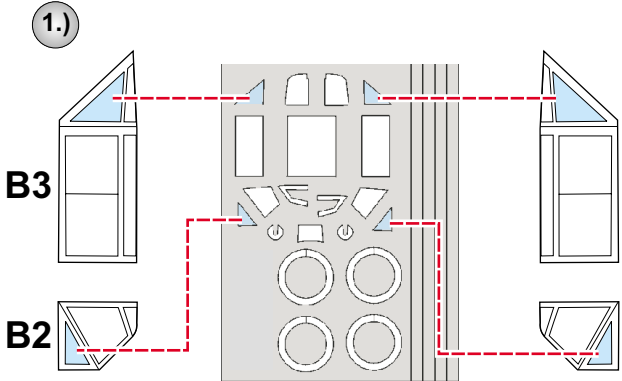
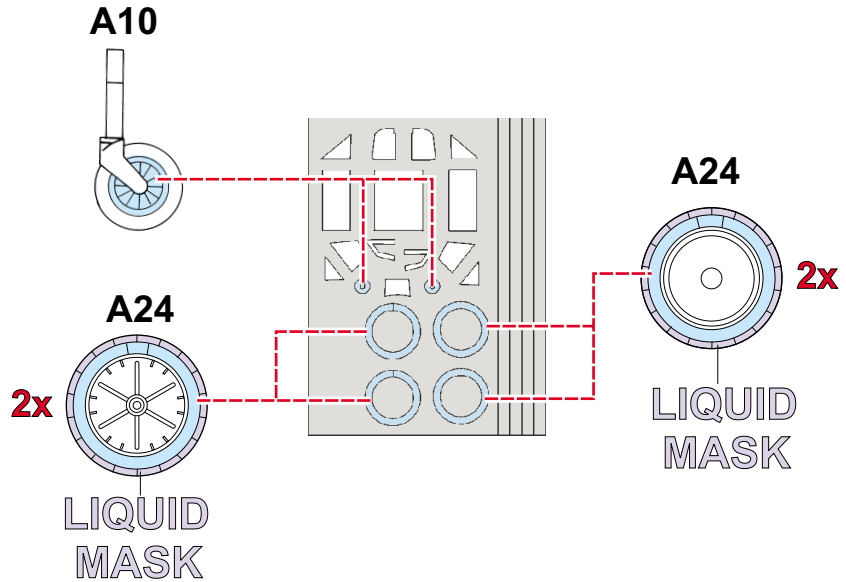
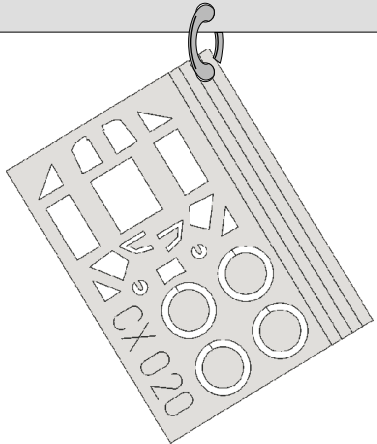


eduard
MASK

CX 020

Bf-109E-3

The die-cut mask for accurate canopy frame painting of the
Tamiya 1/72 KIT



REFERENCES: AERODETAIL#1 : Bf109E