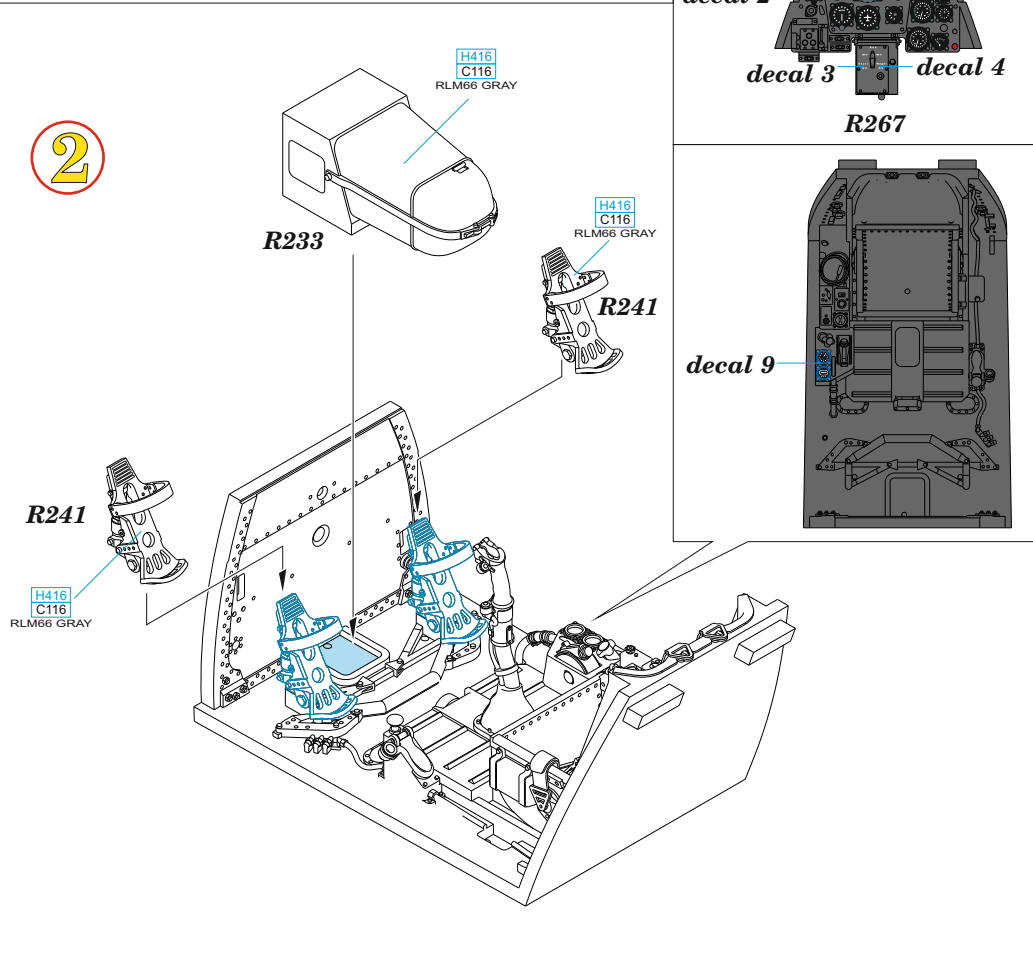
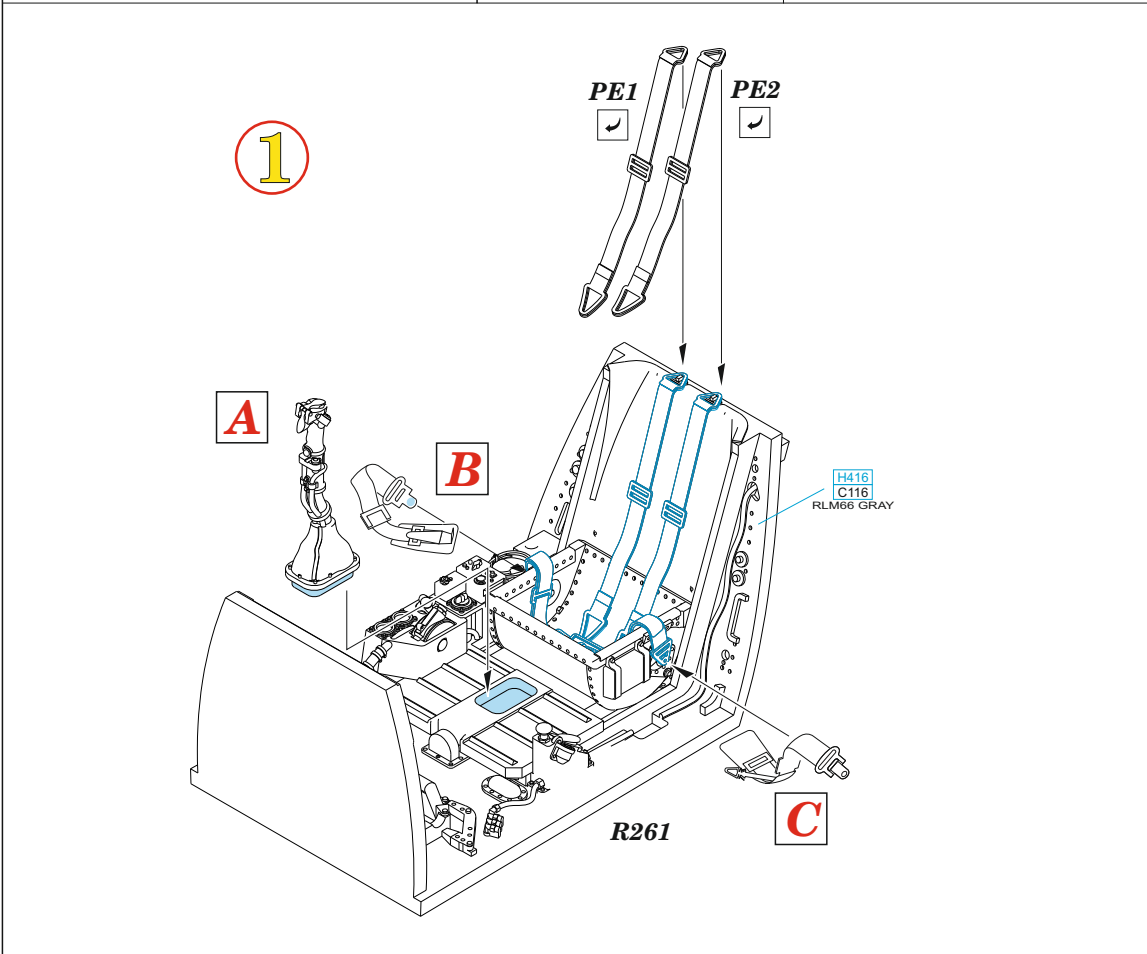
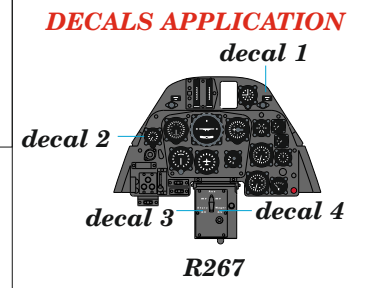
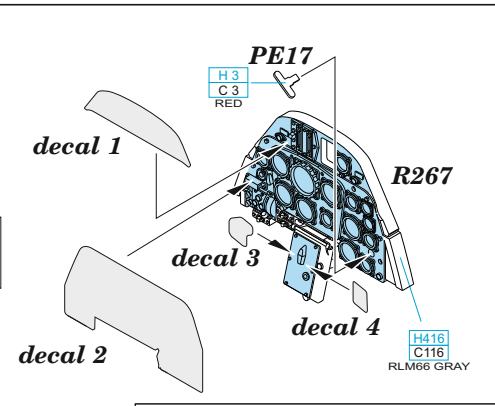
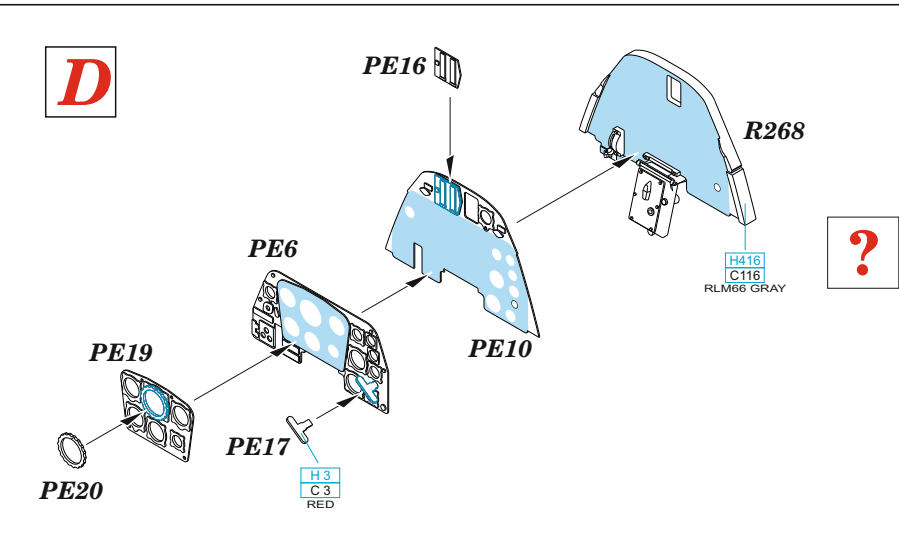
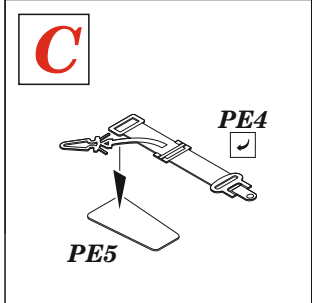
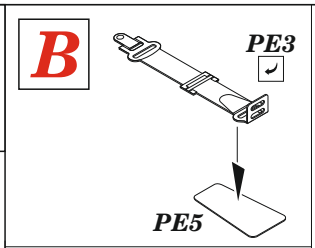
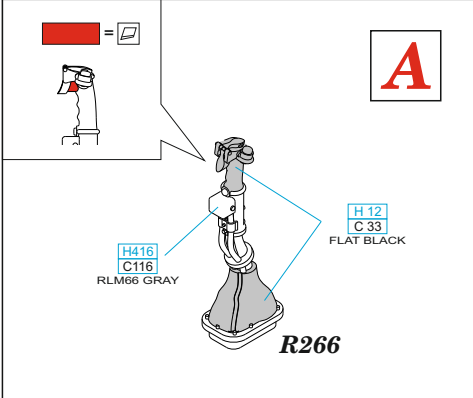
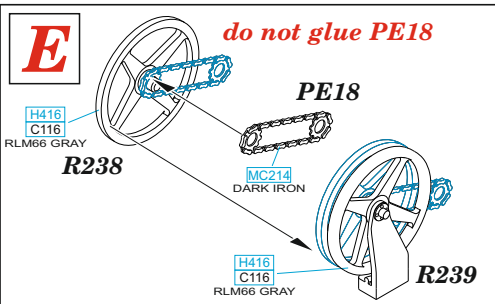
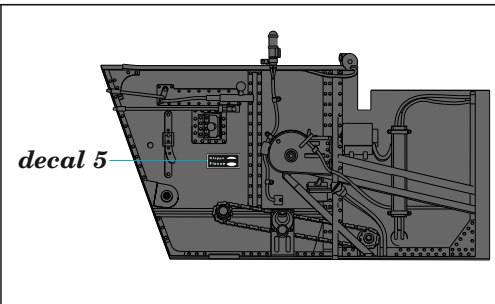
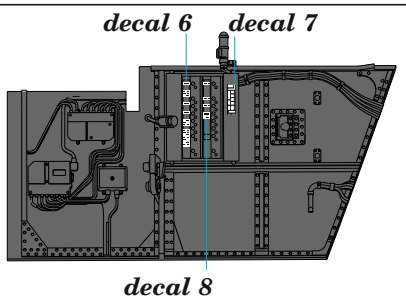
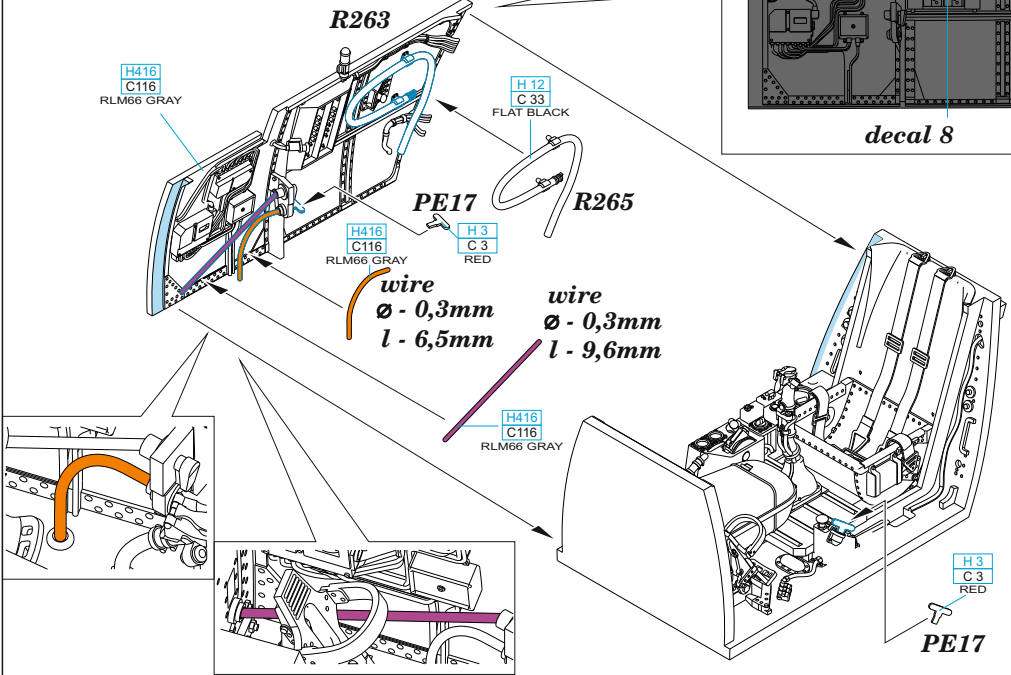




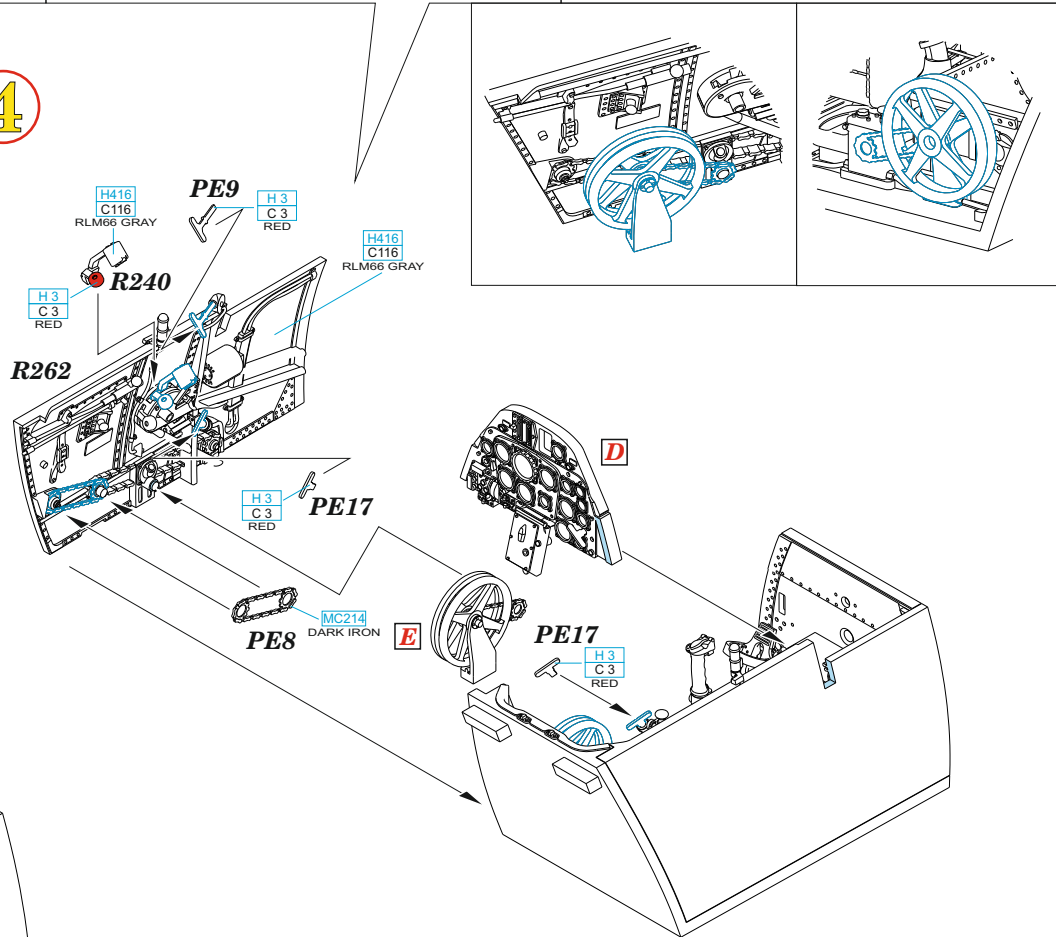
- REMOVE  
ODSTRANIT
- BEND  
OHNOUT
- SYMMETRICAL ASSEMBLY  
SYMETRICKÁ MONTÁŽ
- GRIND  
OBROUSIT
- OPTION  
VOLBA
- SCRIBE THE PANEL AND HOLES  
RYTI
- DRILL HOLE  
VRTAT OTVOR
- REPLACE  
NAHRADIT
- REVERSE SIDE  
OTOČIT



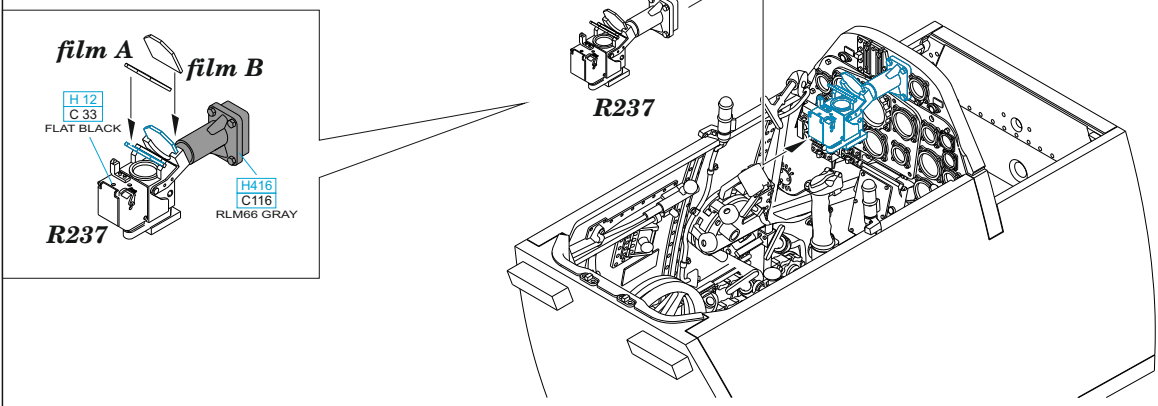
3

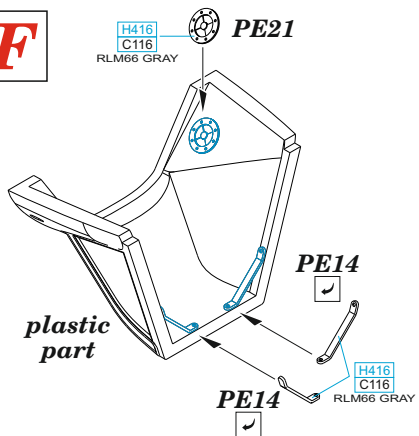
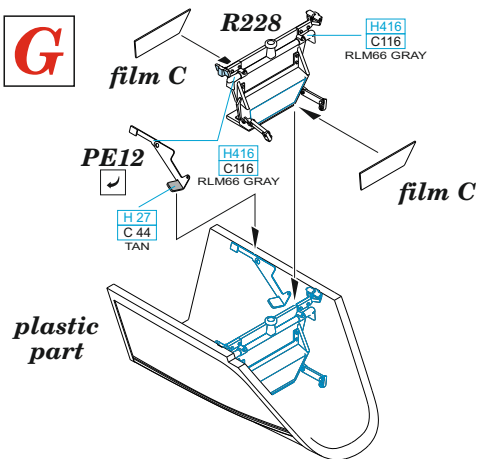
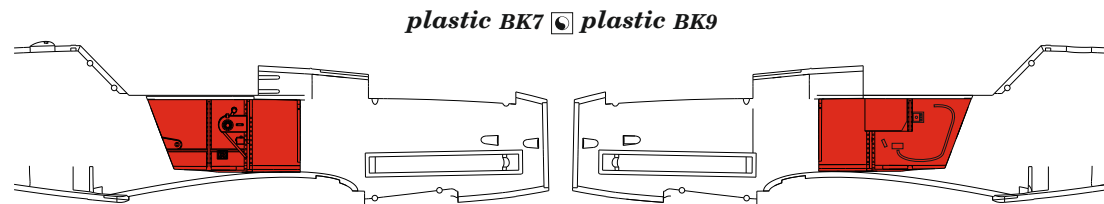
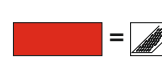
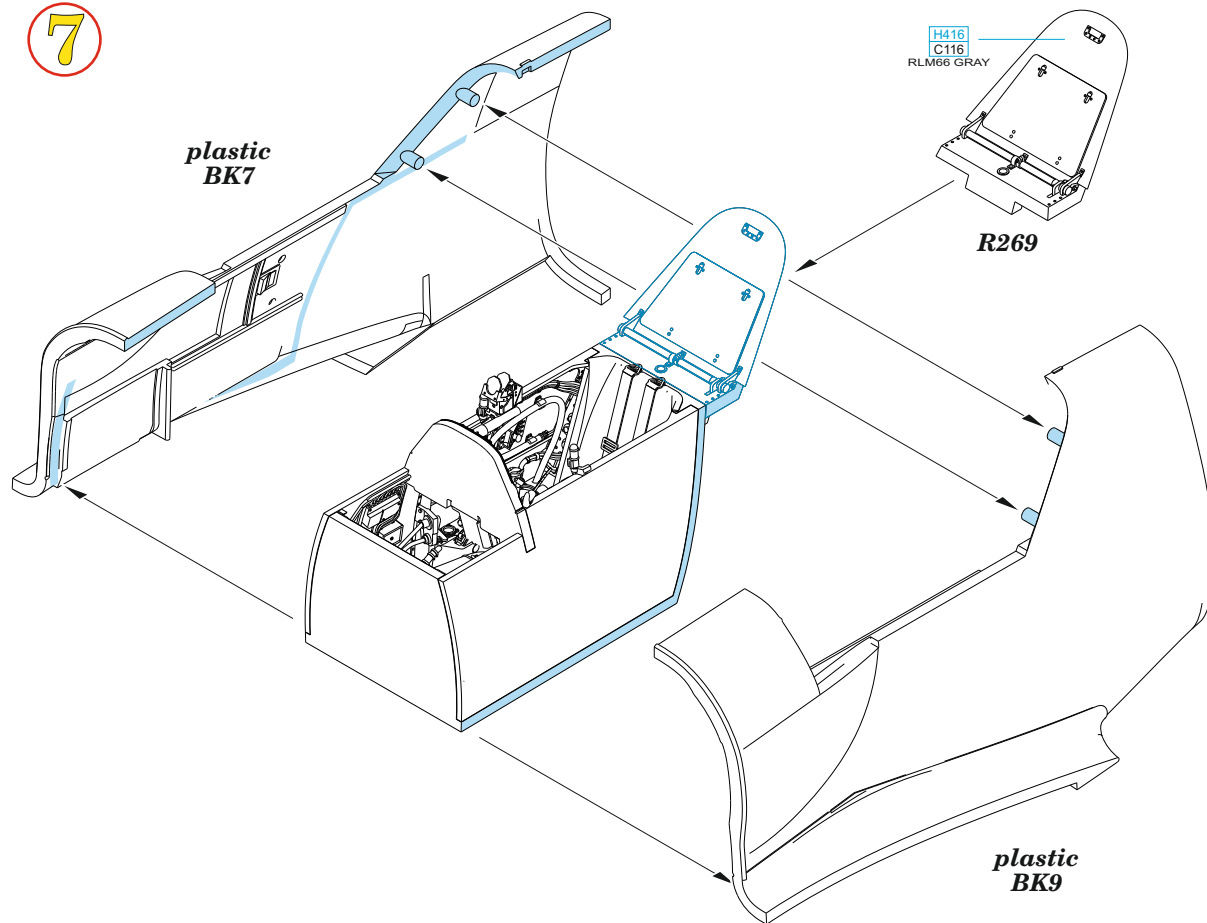


4



5



**F****G****6***plastic BK7*  *plastic BK9***7****8**