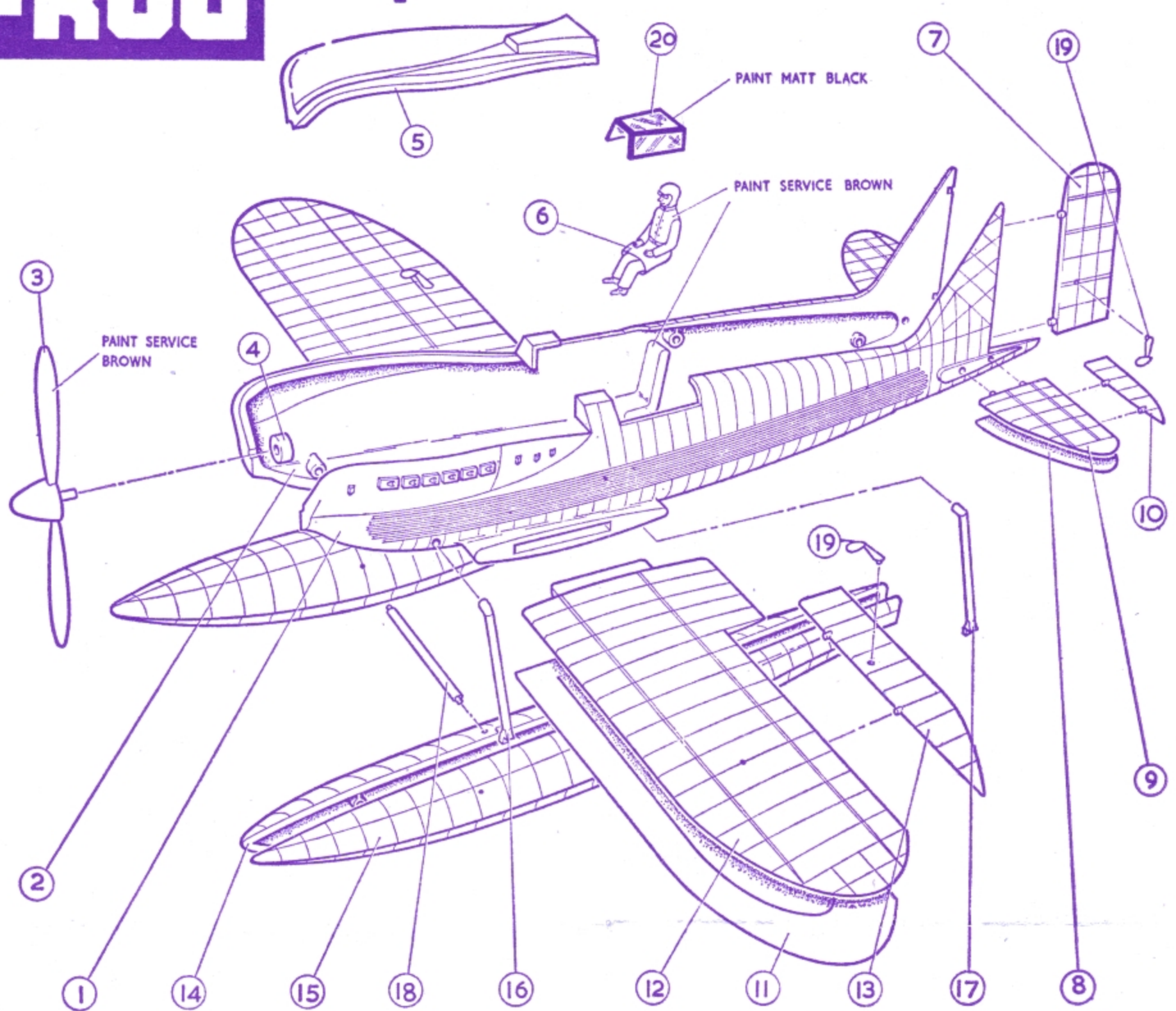


FROG

Supermarine S6B

CAT. No. F164.



It is recommended that the instructions and exploded view are studied and assembly practised before commencing. Use Frog or Britfix Polystyrene Cement and Frog or Humbrol Paints. It may be necessary in some cases to mix two or more colours to obtain shades required. Paint all small parts before assembly. Keep cement well away from face, eyes and clothing.

ASSEMBLY INSTRUCTIONS :

1. Cement and locate together Part Nos. 1 to 5, making sure that Part No. 3 is able to rotate.
2. Cement and locate in position Part No. 6.
3. Cement and locate in position Part Nos. 7 to 10.
4. Cement and locate in position Part Nos. 11 to 13.
- NOTE.** When assembling parts 14 to 18 make sure assembly is correctly aligned.
5. Cement together Part Nos. 14 and 15. Allow to dry.
6. Cement and locate in position Part Nos. 16 and 17.
7. Cement and locate in position Part No. 18 (2 off).
8. Cement and locate in position Part No. 19 (4 off).
9. Cement and locate in position Part No. 20.
10. At this stage it is best to paint the model. See instructions of colours.
11. Apply transfers. First cut the sheet into 4 separate subjects, then dip each one into water for about half a minute, slide off backing into position shown on illustration.
12. If you wish to add further realism to the model, you may add the Bracing Wires by using fine thread or fuse wire, follow the bracing system shown on the box cover.
13. Cement together stand and locate arm of stand in slot of model.

SAVE GOLD TOKENS FOR EXCITING FREE GIFTS !

Every time you buy a FROG Construction Kit with a GOLD TOKEN on the box you will find FROG GOLD TOKENS inside which are worth exciting free gifts to you. You will find your TOKENS on the back of this leaflet.

Save your FROG GOLD TOKENS. Look out for other FROG Construction Kits with GOLD TOKENS inside. They are fun and easy to collect and when you have enough you can send for any of these free gifts :—

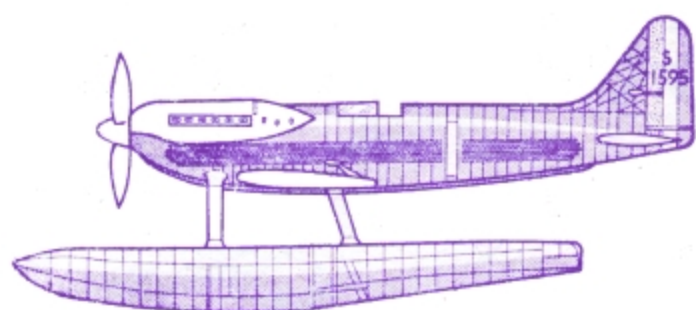
Two FROG "Chuck" Gliders. Balsa construction. Stunt and fly like a real plane	15 tokens.
Book of "Record-Breakers". 32 pages of full colour showing records and pictures of land, air and water record breakers	30 tokens.
FROG Junior Sail Plane Kit. 20" semi-scale Glider. Balsa wood and tissue construction. All shaped parts pre-cut. Outstanding flying characteristics	45 tokens.

ALL YOU HAVE TO DO.

Just cut out and save your FROG GOLD TOKENS on the back of this leaflet. When you have collected enough for the free gift you want, send them with your name and address together with a 3d. stamp, to help with the postage of your gift to:—

GOLD TOKEN (DEPARTMENT F), LONDON, N.W.1.

Due to the cost of postage and duty the FROG GOLD TOKEN GIFT SCHEME has to be confined to the **United Kingdom Only.**



MATT BLUE 
SILVER 

HISTORY.

SUPERMARINE S6B.

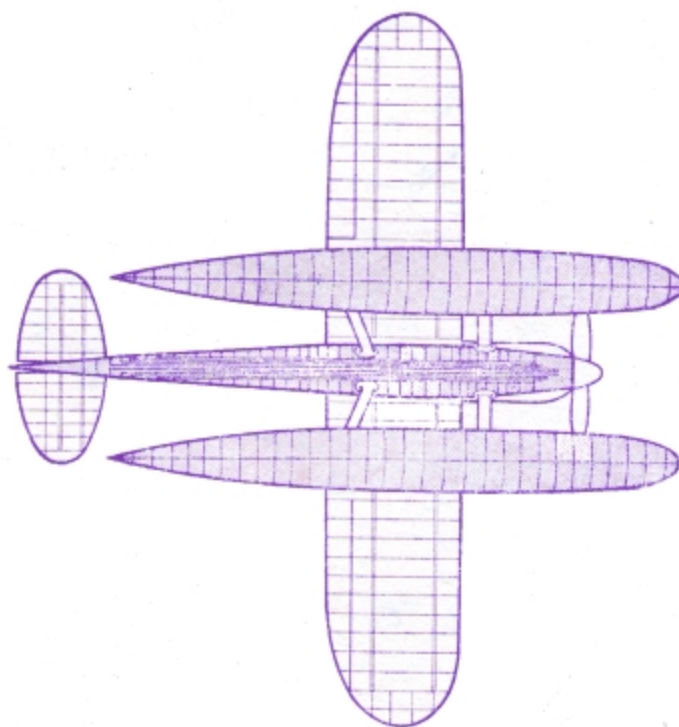
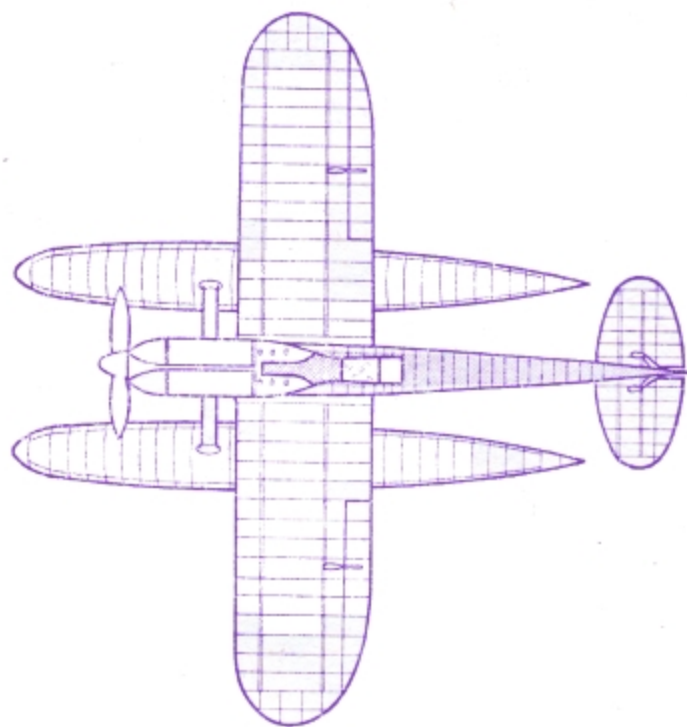
The Supermarine S6's were the famous seaplanes used by the British team for the Schneider Trophy Contest in 1927, 1929 and 1931.

At Spithead on the 13th September, 1931, Flt. Lt. Boothman, flying Aircraft No. S.1595 (the subject of our model), won the Schneider Trophy outright for Great Britain at an average speed of 340.08 m.p.h.

On the 20th September of the same year, Flt. Lt. Stainforth flew No. S.1595 along the speed course, to gain a new World Airspeed Record for Great Britain of 407.5 m.p.h.

The S6's were designed by that famous Aircraft designer, the late Mr. R. J. Mitchell, C.B.E., A.M.I.C.E., F.R.Ae.S., who was later to gain World renown for the famous Spitfire.

The Supermarine S6B (S.1595) may still be seen on display in the Science Museum in London.



FROG 1/72nd SCALE SERIES

BLUE SERIES — AIRCRAFT :

Percival Proctor IV.
Hawker Sea Fury X.
Miles Magister.
Miles Master III.
Fokker D21.
Dewoitine D520C.
Morane Saulnier 406.
Macchi C202.

PURPLE SERIES — AIRCRAFT :

Supermarine S6B.

RED SERIES — AIRCRAFT :

Bristol Beaufort II.
Westland Wessex I.
Airspeed Oxford II.
G.A. Hotspur II.

ORANGE SERIES — AIRCRAFT :

Martin Marauder II.

GREEN SERIES — AIRCRAFT :

Martin Baltimore.
Douglas Boston III. (DB/7B).

ORANGE SERIES — SHIPS :

1/500 Scale.

H.M.S. Revenge.
H.M.S. Exeter.

RED SERIES — SHIPS :

1/500 Scale.

H.M.S. Ashanti.
H.M.S. Torquay.

GET YOUR FROG STORY-BOOK CATALOGUE AND ALBUM FROM YOUR FROG DEALER NOW!

The full-colour picture transfer of this aircraft should be fixed in your Album. Collect all the picture transfer cards in the "Trail Blazers" kits in order to complete your Album.

Here are 5 FROG GOLD TOKENS for you to collect for the wonderful free gifts. Look out for other FROG Construction Kits with GOLD TOKENS inside.



You will find GOLD TOKENS offering you other exciting free gifts in the lovely GOLD TOKEN Books, which you can buy at your newsagent or bookshop. Hundreds of beautiful stories — selling from 1/-d. to 6/6d.

Made in England by INTERNATIONAL MODEL AIRCRAFT LTD., Morden Road, Merton. London, S.W.19.

Printed in England.