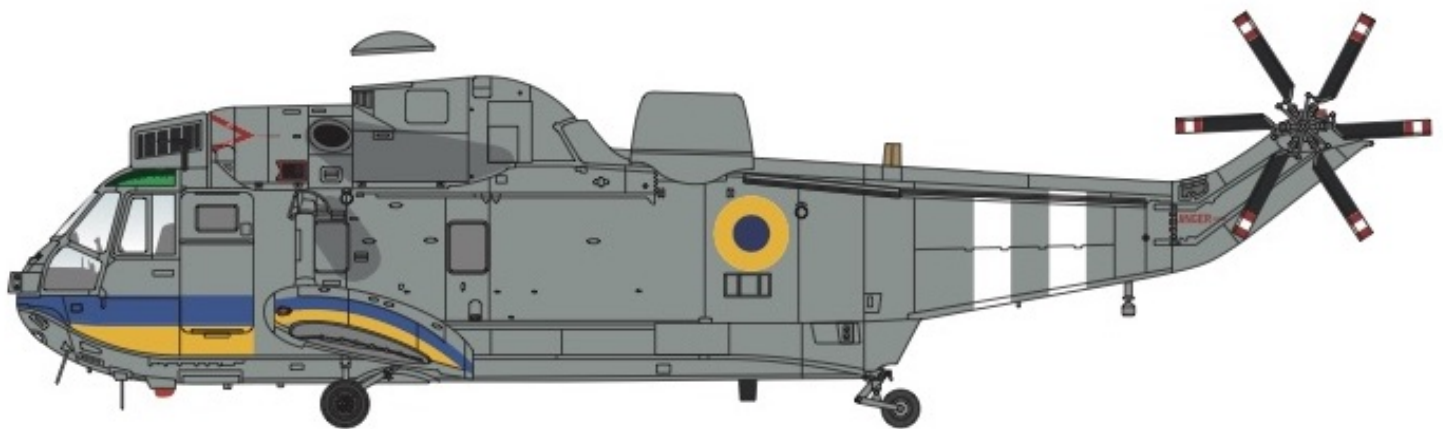


Westland Sea King Collection Pt3



For the best results these decals should be applied to a gloss surface such as provided by either Xtracolor or Xtracrylix paints. Cut out the decal required and soak in warm water until the decal is released from the backing paper. Wet the area to be decaled with MICRO SET which will help to eliminate air trapped under the decal and position the decal.

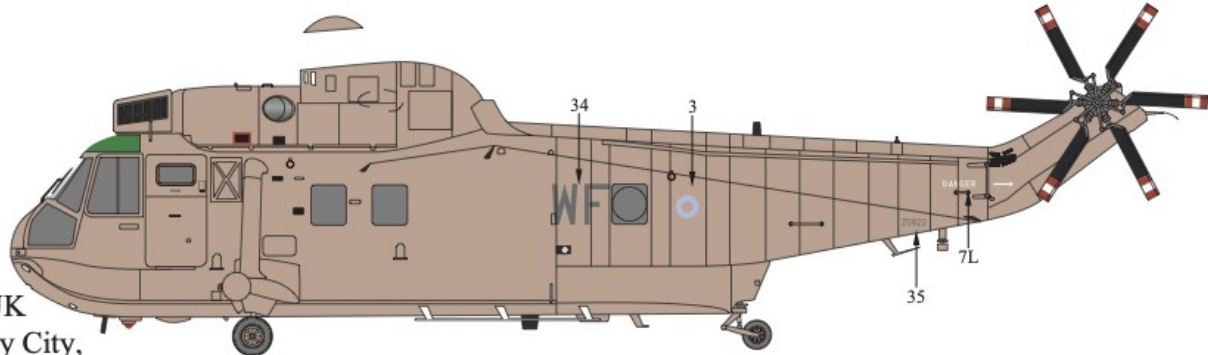
After 5 or 10 minutes wet the decal with MICRO SOL which will soften the decal and ensure that it settles down over any surface detail. Allow the decal to dry for at least 12 hours. During this time some wrinkling of the decal may occur, this is normal. Do not touch the decal at this time.

Carefully check for small air bubbles and if there are any prick with a needle and apply a drop of MICRO SOL. After all air bubbles have been eliminated and the decals are dry wash the entire model with water to remove any excess decal adhesive.

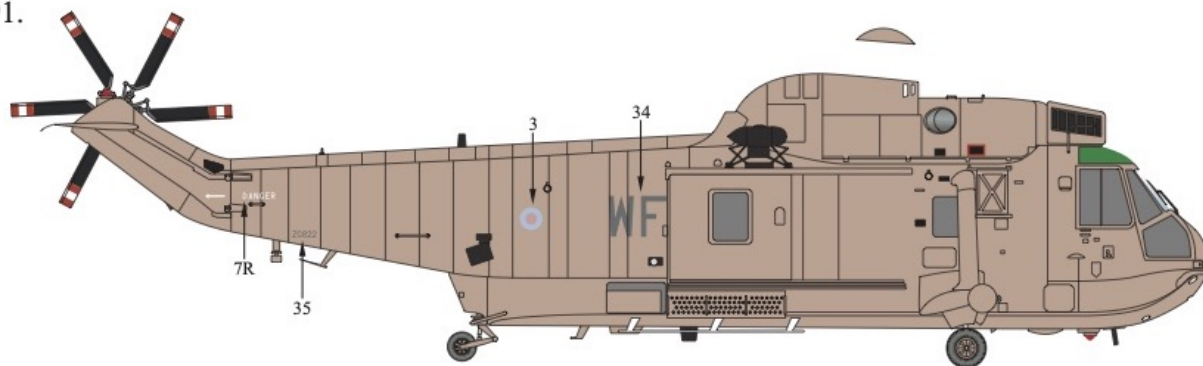
When completely dry the whole model should be sprayed with a coat of Xtracolor or Xtracrylix Flat, Satin or Gloss varnish depending on the finish required.

Store in a cool dry place, avoid sunlight, dampness or extremes of temperature and/or humidity.

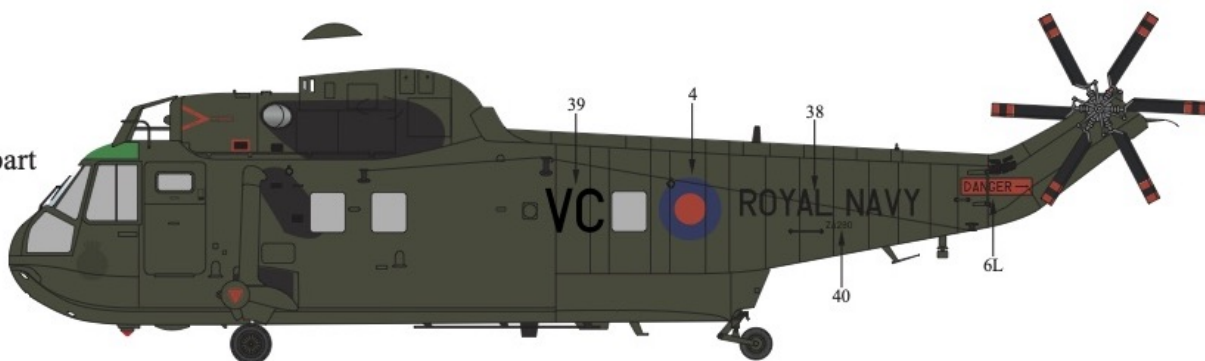
Westland Commando HC.4
 ZG822, 'WF',
 of 848 Naval Air Squadron,
 Royal Navy,
 based at RNAS Yeovilton, UK
 based at King Khalid Military City,
 Saudi Arabia
 during 'Operation Granby,
 1991.



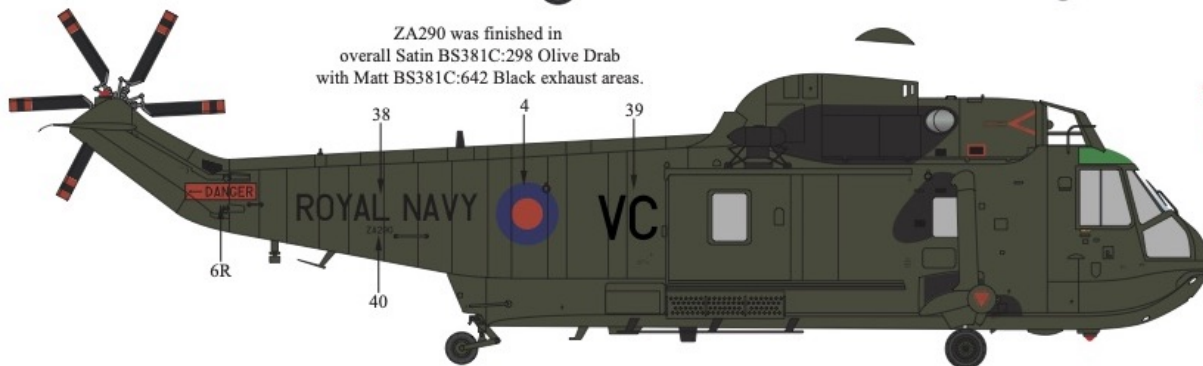
XG822 was finished in overall temporary ARTF 'Desert Pink'.



Westland Commando HC.4
 ZA290, 'VC'
 of 846 Naval Air Squadron,
 Royal Navy in which; took part
 in 'Operation Mikado'
 Chile, 18 May, 1982.

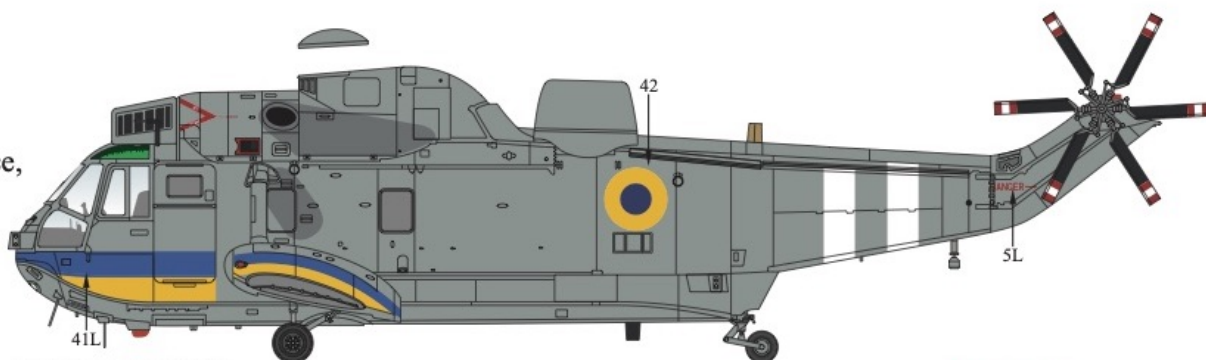


ZA290 was finished in overall Satin BS381C:298 Olive Drab with Matt BS381C:642 Black exhaust areas.

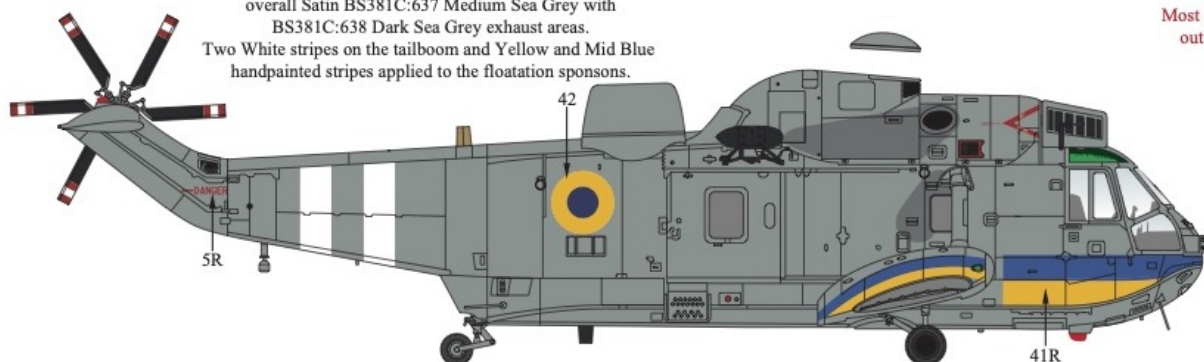


Modellers Note:
 Six bladed tail rotor fitted.
 This airframe could have had all elements of White painted over including the tail rotor blades, however, this has not been confirmed.

Westland Sea King HAS.5
 serial unknown
 sent to the Ukraine Air Force,
 Ukraine,
 2023.

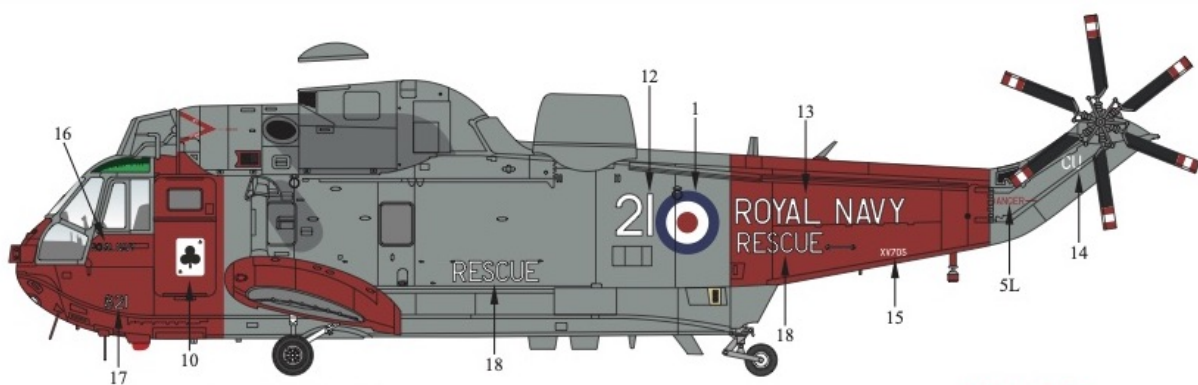


This airframe was finished in overall Satin BS381C:637 Medium Sea Grey with BS381C:638 Dark Sea Grey exhaust areas. Two White stripes on the tailboom and Yellow and Mid Blue handpainted stripes applied to the floatation sponsons.



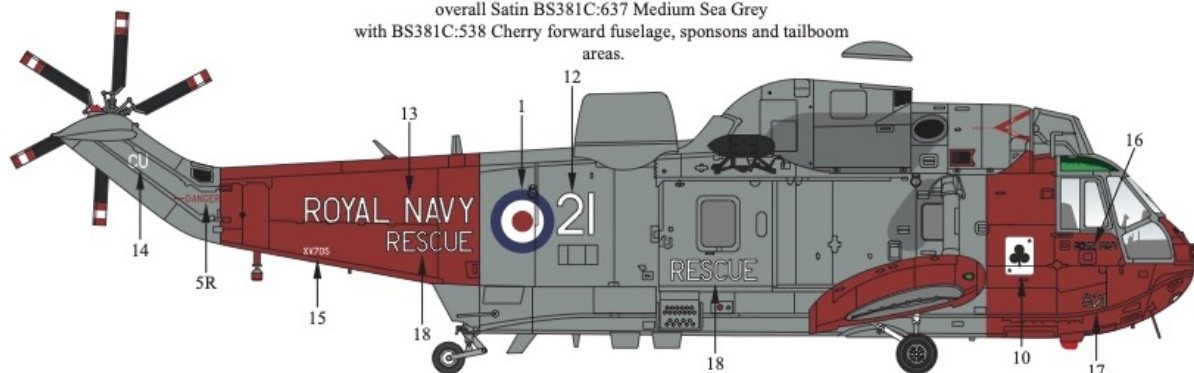
Modellers Note:
 Most of the British avionics were stripped out of these airframes leaving a basic aircraft for the crisis. Six bladed tail rotor fitted.

Westland Sea King HU.5
 XV705, '821'/'21'/'CU'
 of 771 Naval Air Squadron,
 Royal Navy,
 based at RNAS Culdrose,
 1996.

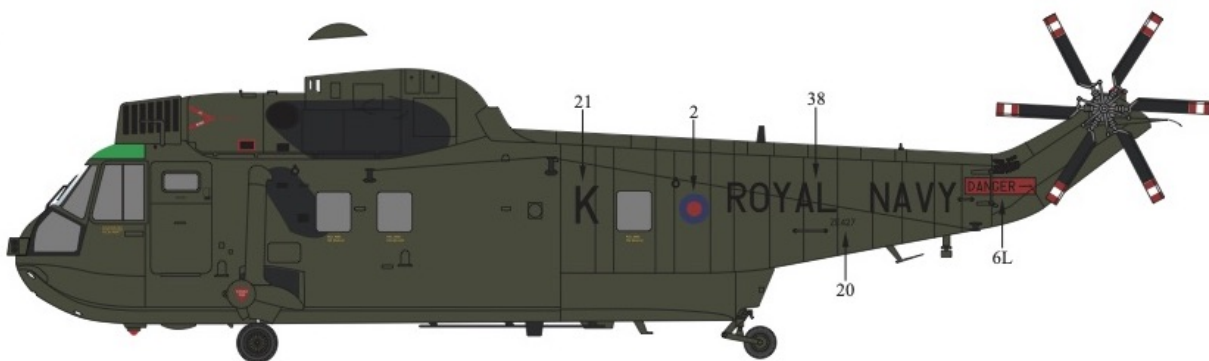


XV705 was finished in overall Satin BS381C:637 Medium Sea Grey with BS381C:538 Cherry forward fuselage, sponsons and tailboom areas.

Modellers Note:
 Additional antennae and avionics 'bumps' seem to have been added to this airframe on the tailboom.
 Six bladed tail rotor fitted.

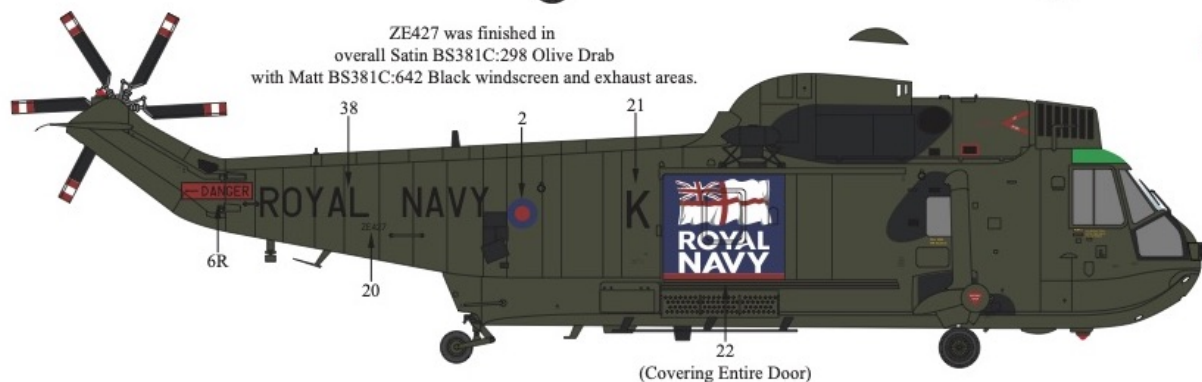


Westland Commando HC.4
 ZE427, 'K'
 of 848 Naval Air Squadron,
 Royal Navy,
 based at RNAS Yeovilton,
 January,
 2016.



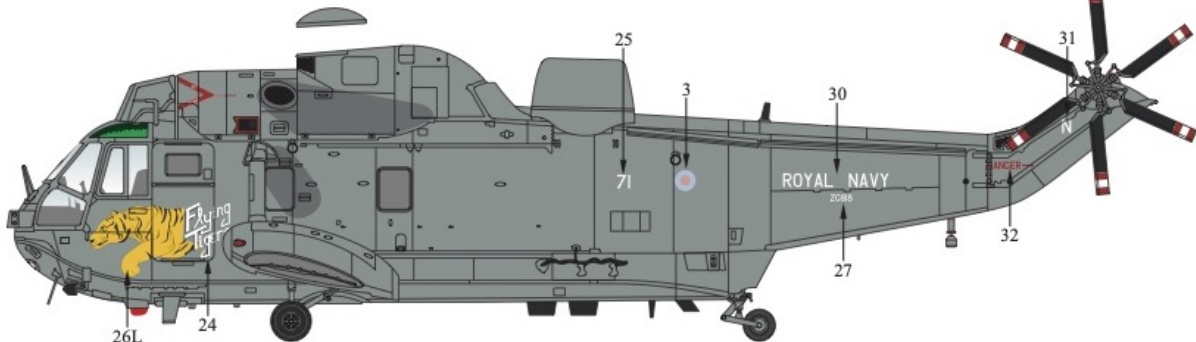
ZE427 was finished in overall Satin BS381C:298 Olive Drab with Matt BS381C:642 Black windscreen and exhaust areas.

Modellers Note:
 Six bladed tail rotor fitted.



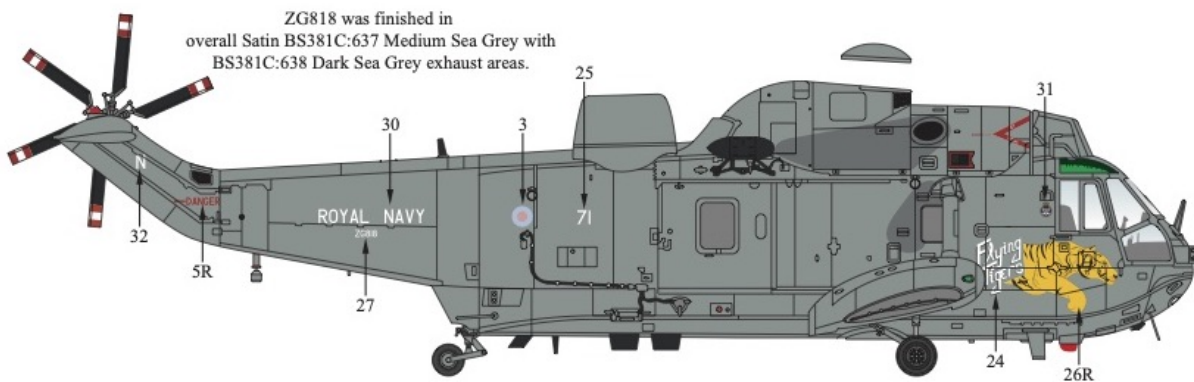
(Covering Entire Door)

Westland Sea King HAS.6
 ZG818, '71'/'N'
 of 814 Naval Air Squadron,
 Royal Navy,
 based at RAF Culdrose,
 1991.

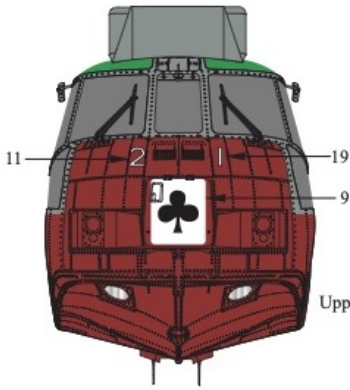


ZG818 was finished in overall Satin BS381C:637 Medium Sea Grey with BS381C:638 Dark Sea Grey exhaust areas.

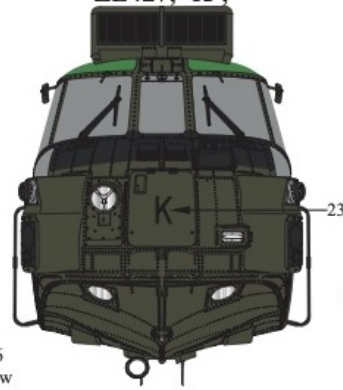
Modellers Note:
 Six bladed tail rotor fitted.



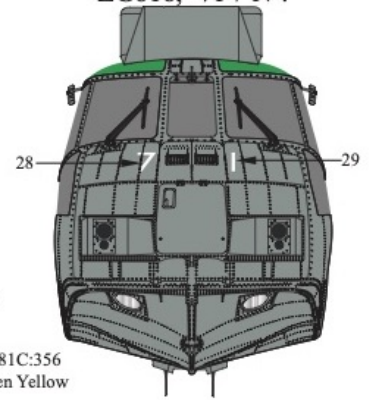
Westland Sea King



Westland Commando HC.4
 ZE427, 'K'



Westland Sea King HAS.6
 ZG818, '71'/'N'



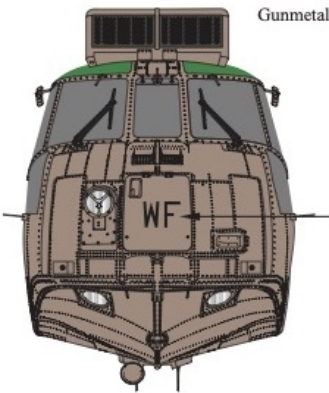
Uppersurfaces of Main Rotor Blades

Lowersurfaces of Main Rotor Blades

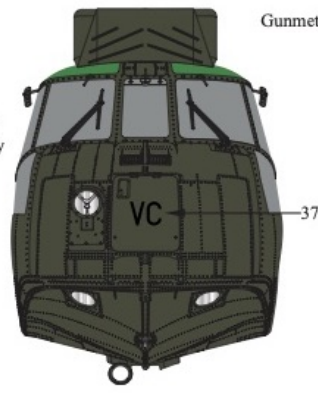
BS381C:356
 Golden Yellow

BS381C:356
 Golden Yellow

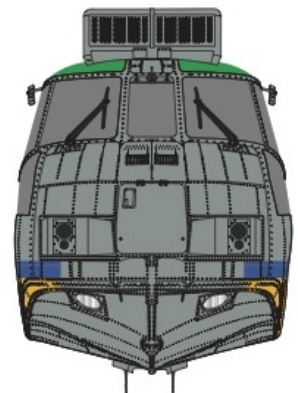
Westland Commando HC.4
 ZG822, 'WF'



Westland Commando HC.4
 ZA290, 'VC'



Westland Sea King HAS.5
 serial unknown.



Gunmetal

Gunmetal

White

Black

BS381C:638
 Dark Sea Grey

Light Grey

White

Black

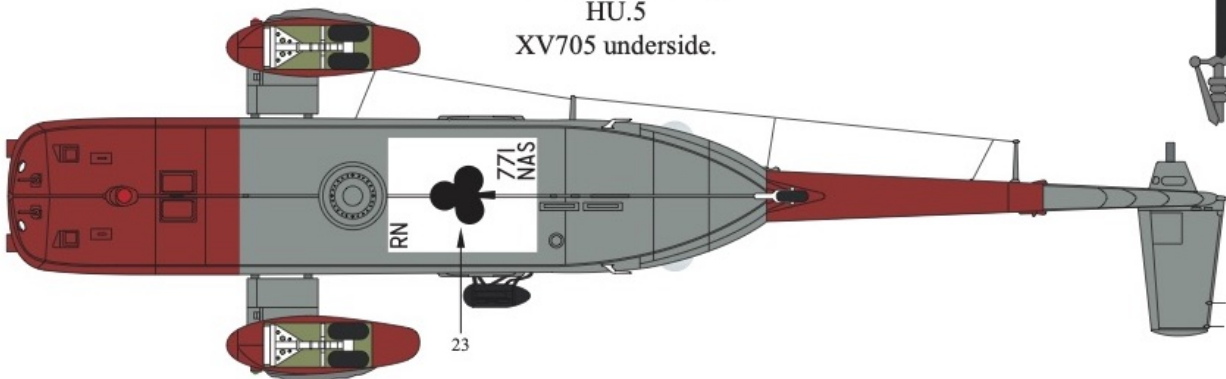
Tail Rotor Blades

Gloss White

Gloss Red

Matt Black

Westland Sea King
 HU.5
 XV705 underside.



Xtracolor Paints

- X003 Medium Sea Grey
- X004 Dark Sea Grey
- X012 Night Black
- X019 RAF Rescue Yellow
- X023 Navy Blue
- X028 RN Helo Olive Drab
- X031 Red
- X032 ARTF Pink
- X141 White

Paints:

The colours used on these aircraft can be found in the Xtracolor (prefix number with X) and Xtracrylix (prefix number with XA1) range of paints.

Xtracolor Paints

- XA1003 Medium Sea Grey
- XA1004 Dark Sea Grey
- XA1012 Night Black
- XA1019 RAF Rescue Yellow
- XA1023 Navy Blue
- XA1028 RN Helo Olive Drab
- XA1031 Red
- XA1032 ARTF Pink
- XA1141 White