

Soviet medium tank T-34/76

Mod. 1943



SCALE 1:72

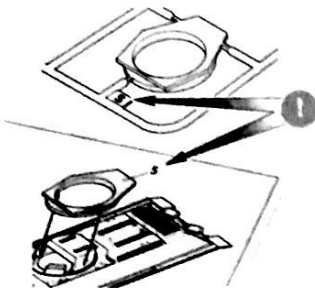
№5001



MADE IN RUSSIA

MODEL ASSEMBLY

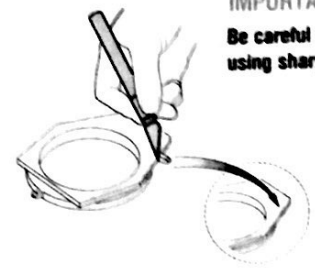
- Follow strictly the assembly instruction
- No need of glue for assembly
- Be careful with small parts



IMPORTANT!
Cut off parts one by one, remember the part numbers



IMPORTANT!
Do not cut off part too tight



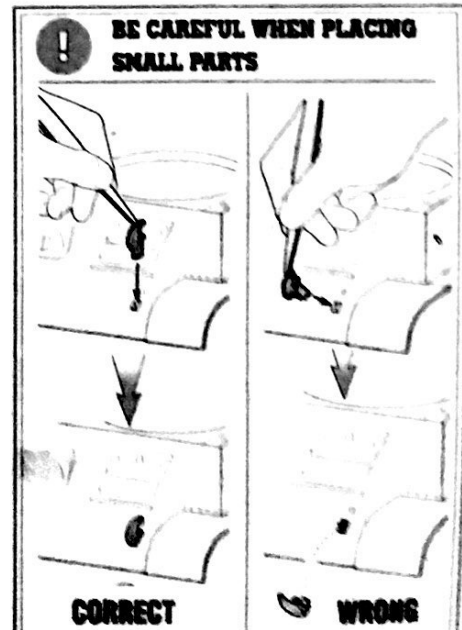
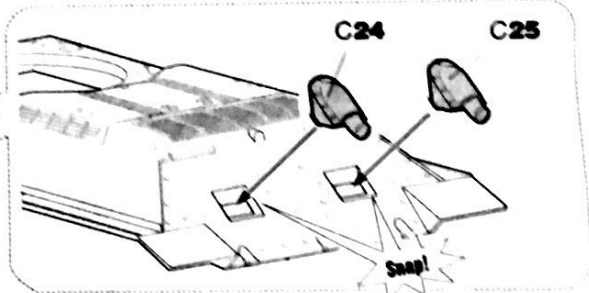
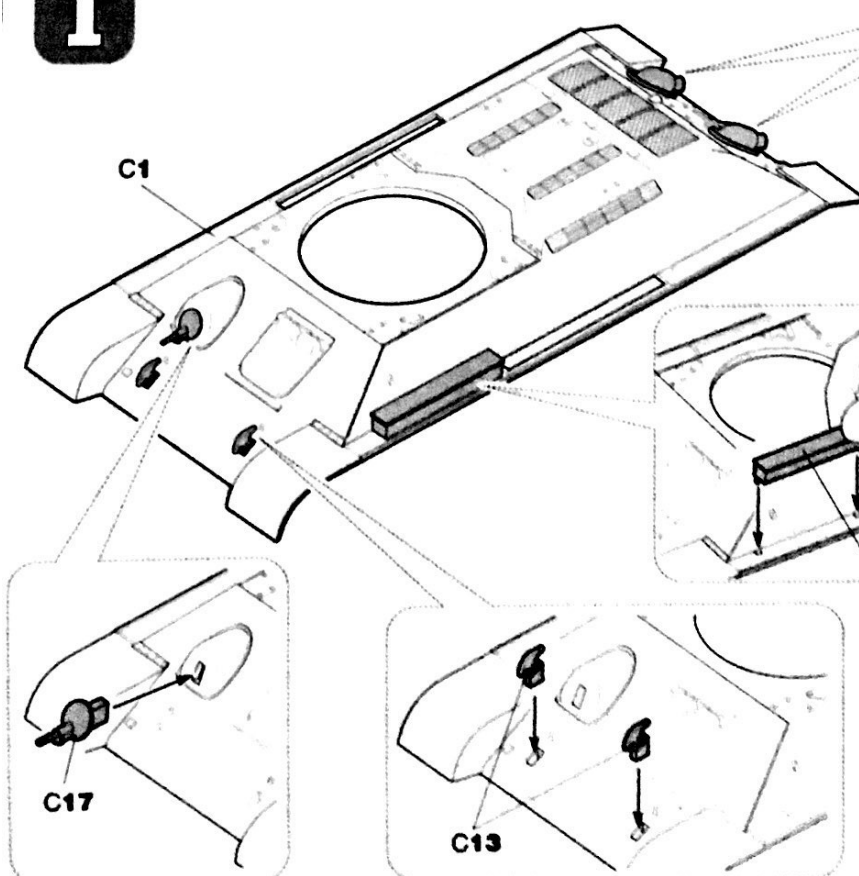
IMPORTANT!
Be careful when using sharp tools

1 Before you cut off the detail of the sprue's frame, compare it's number with the instruction.

2 Separate the parts from frame with cutter

3 Remove the remaining plastic with sharp knife

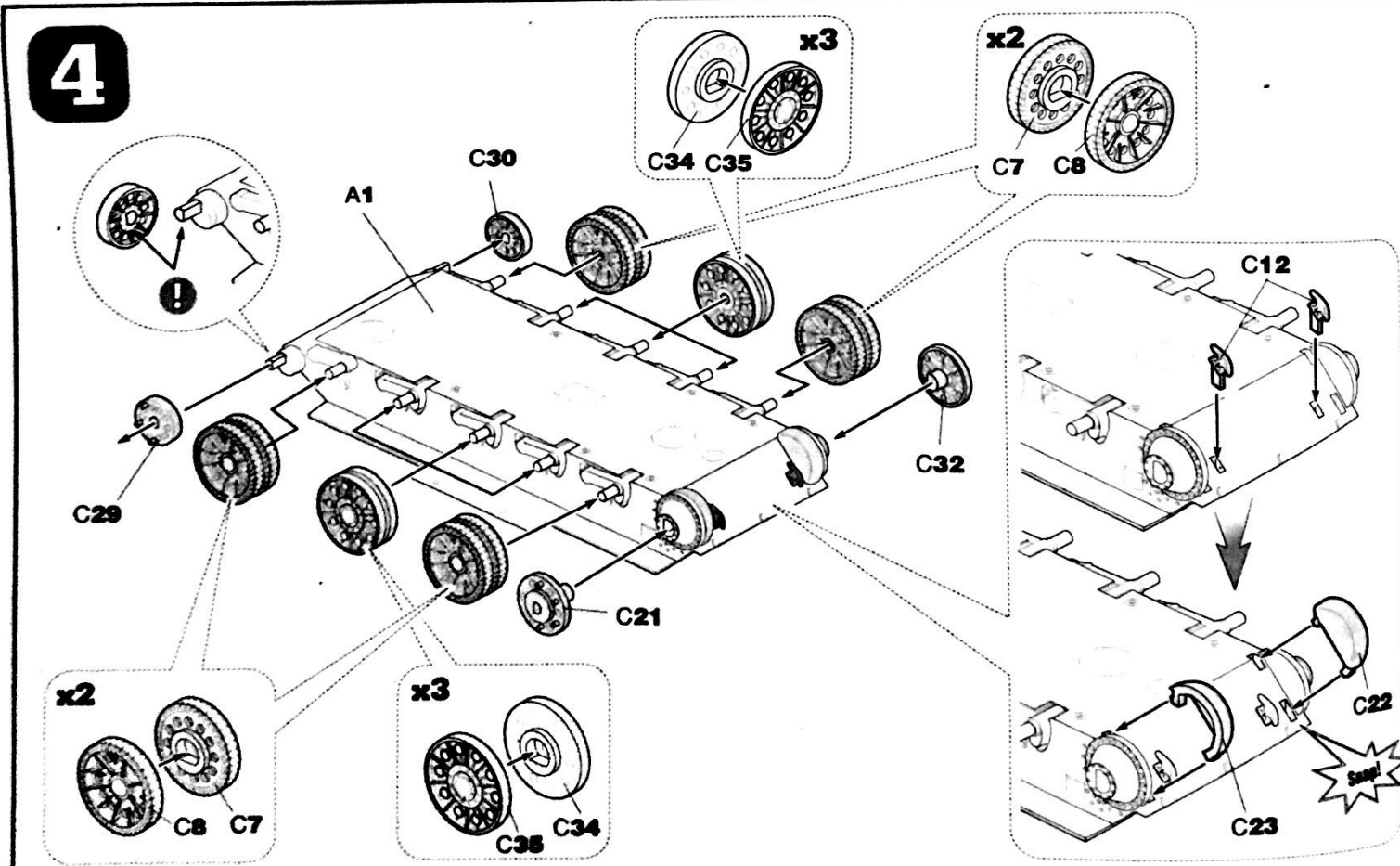
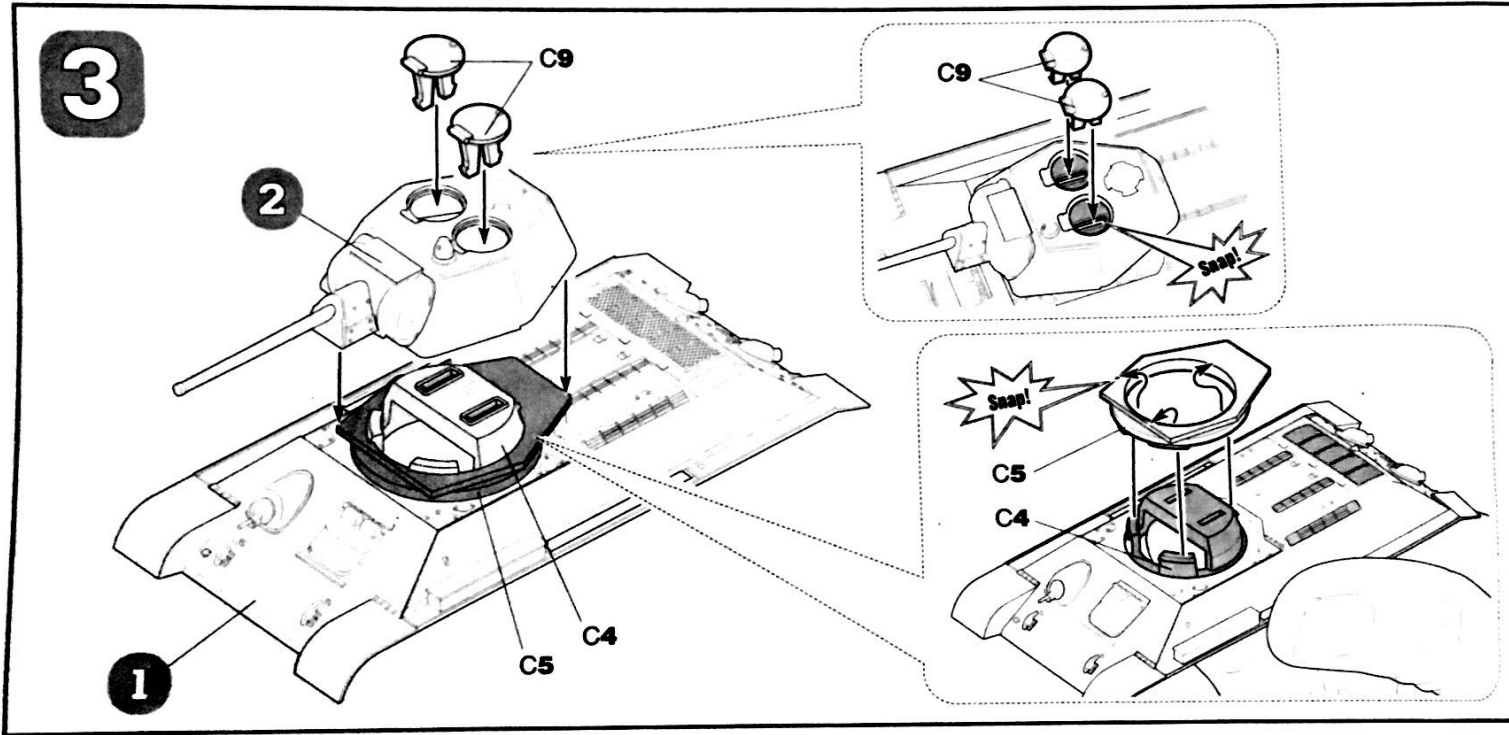
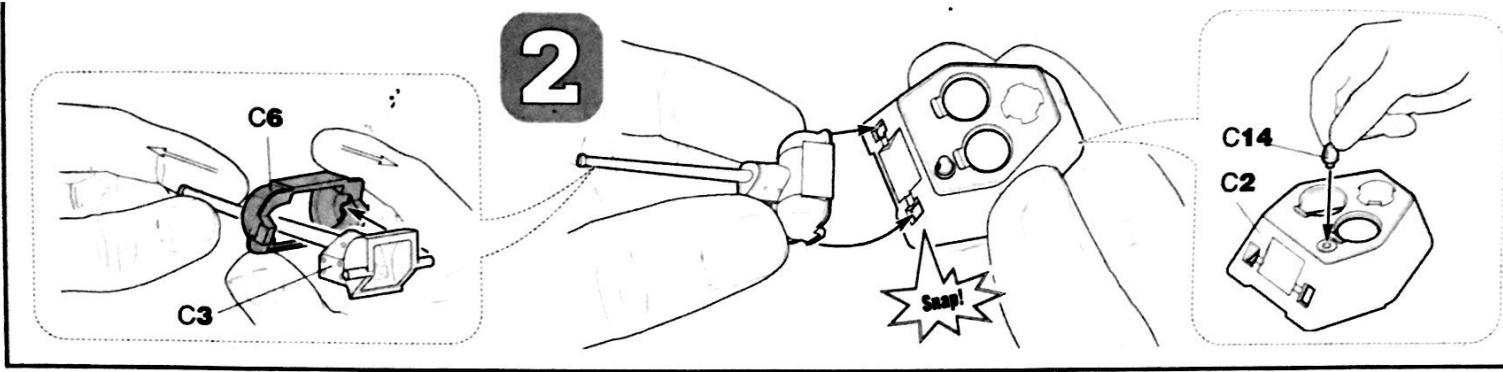
1



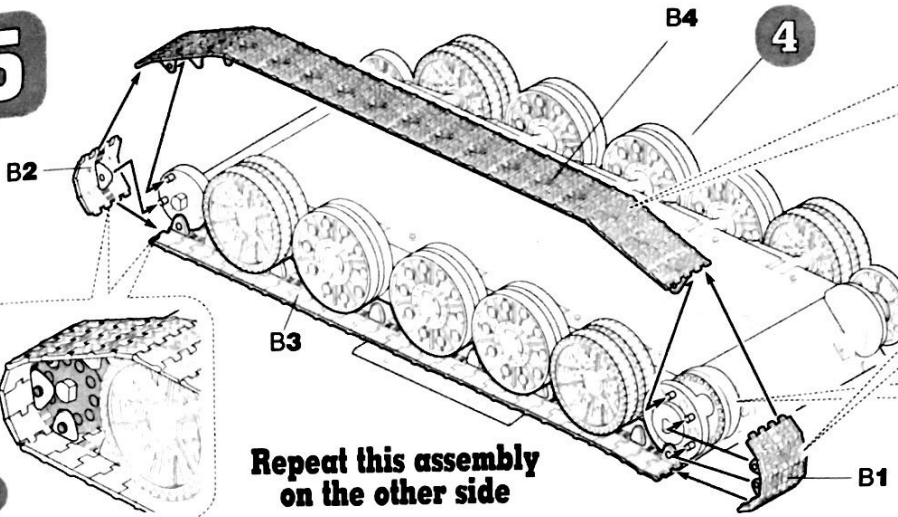
BE CAREFUL WHEN PLACING SMALL PARTS

CORRECT

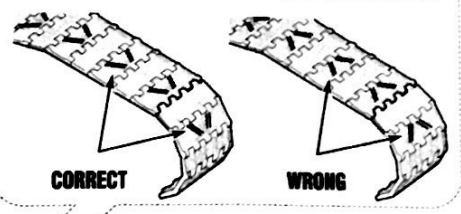
WRONG



5

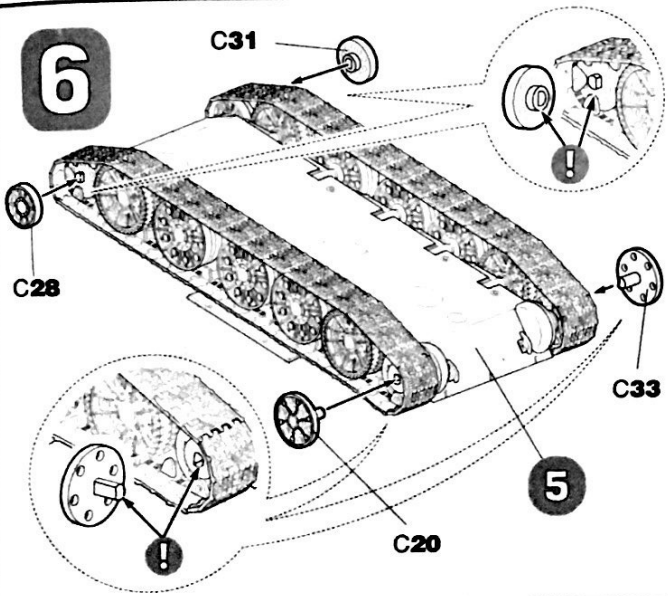


CHECK THE POSITION OF THE DETAILS

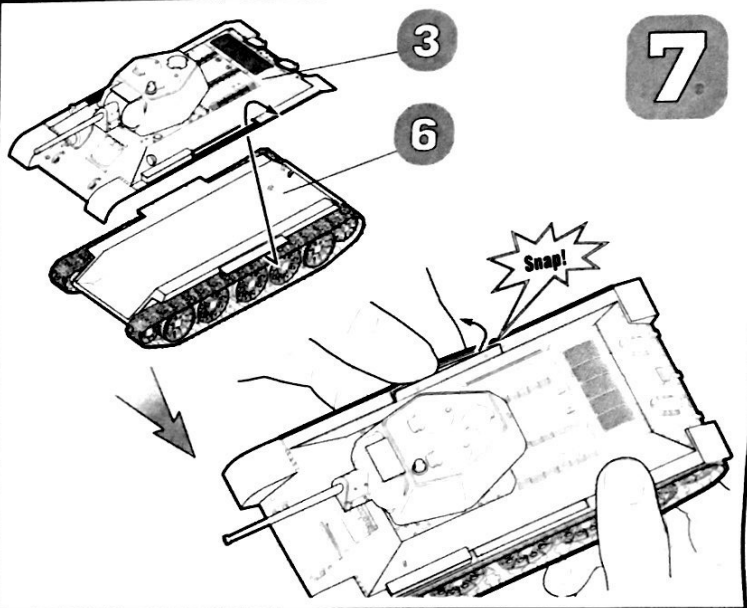


Repeat this assembly on the other side

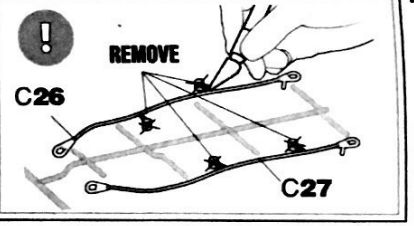
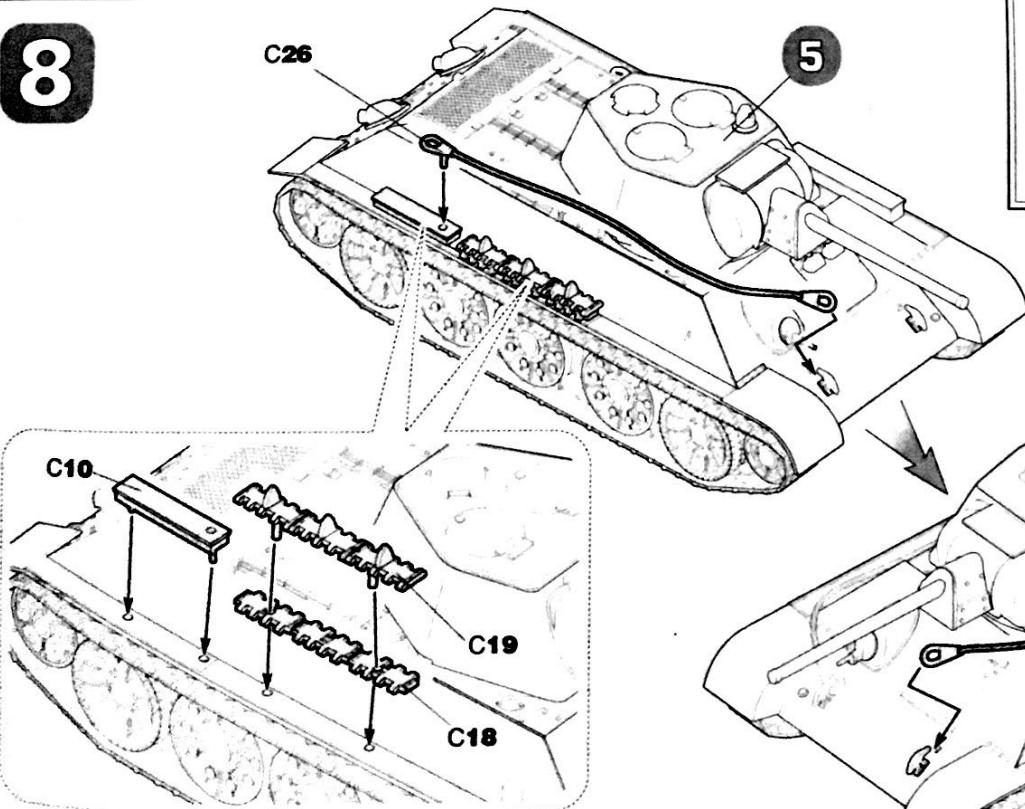
6



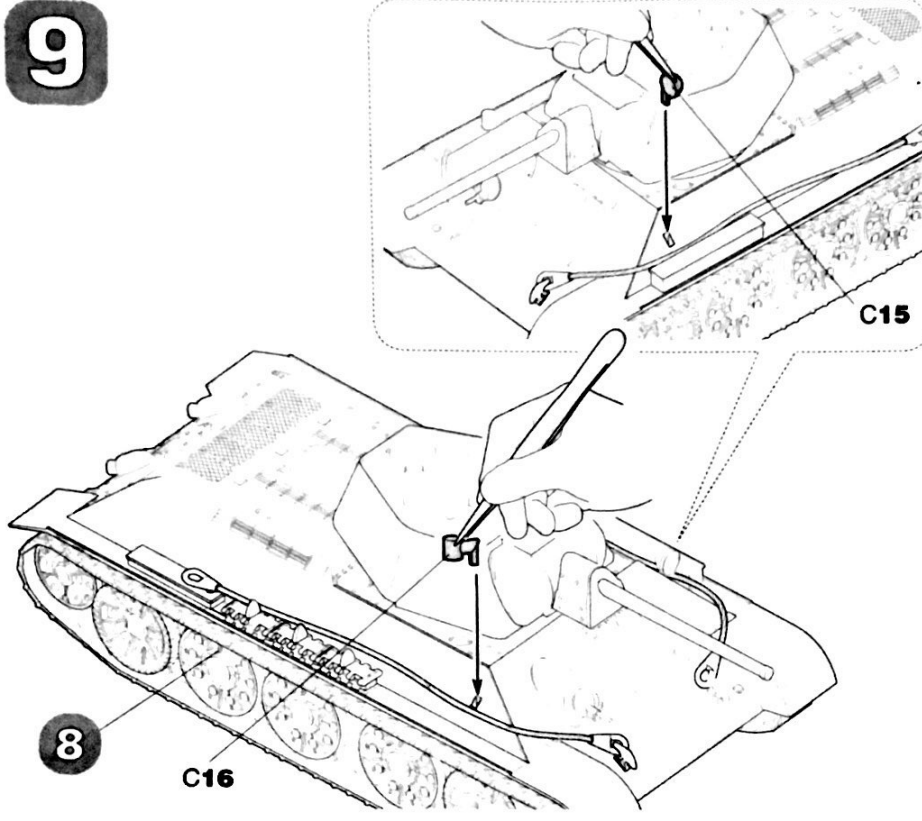
7



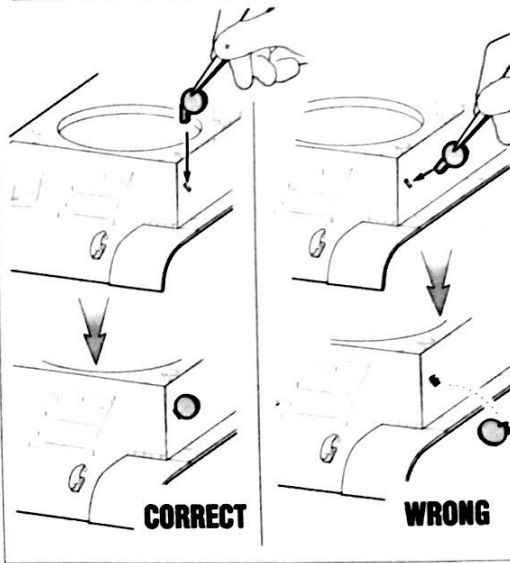
8



9

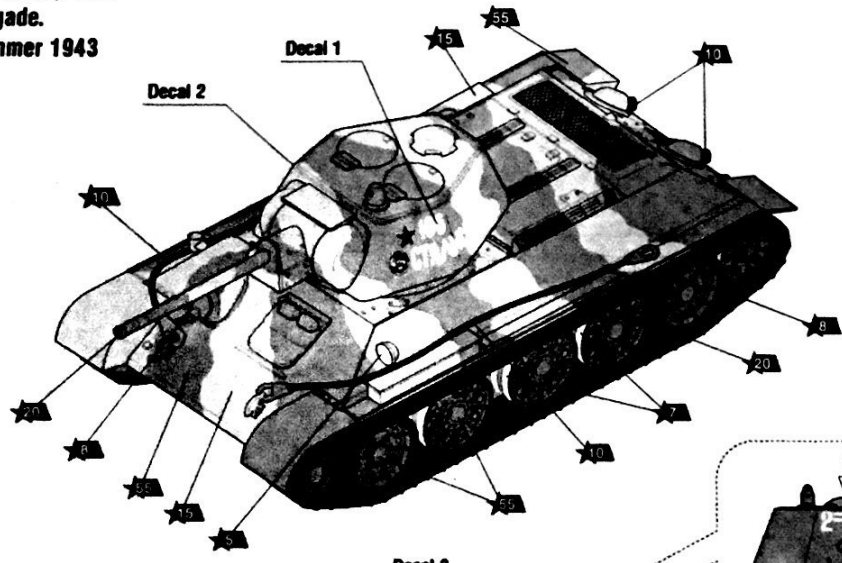


BE CAREFUL WHEN PLACING SMALL PARTS



PAINTING OF THE MODEL

**8th Heavy Tank Brigade.
Summer 1943**

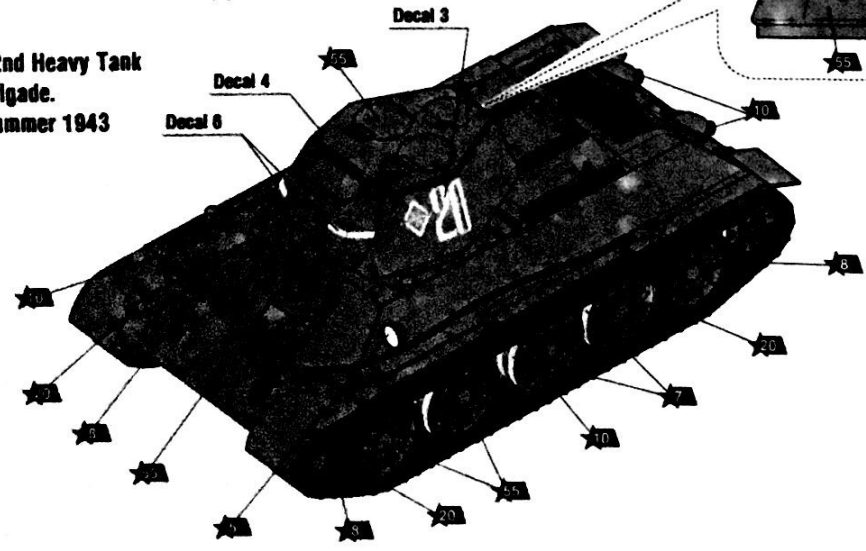


We advise to paint the model with special paints for plastic models.
We advise to clean the model very well from fat before painting.

THE COLORS USED

Humbrol	
★ 5	191 chrome silver
★ 7	27003 polished steel
★ 8	53 gunmetal
★ 10	113 rust
★ 15	118 tan
★ 20	33 black
★ 55	116 dark green

**22nd Heavy Tank Brigade.
Summer 1943**



DIRECTIONS FOR APPLYING THE DECALS

- 1** Cut out the decal on the contour
- 2** Put it into the warm water for 1/2 min
- 3** Move the decal on the model by pulling the paper basis out
- 4** Absorb the decal with the dry tissue to remove an excess water