



THE SCALE OF  
THIS MODEL IS  
1/72 ACTUAL SIZE

**Revell**  
Authentic Kits

H-649 © 1966 BY REVELL INC., VENICE, CALIF.

## BOEING PT-13D KAYDET

Based on a design developed by Boeing and sold to Stearman in 1931, the famous Kaydet series of training planes is, even today, one of the most familiar aircraft in the skies. The venerable Kaydet could easily have been the most significant airplane to be used during World War II. No matter what airplane a pilot was destined to fly in the defense of our country, he first had to learn to master this sturdy biplane. For most American pilots it was the first plane in which they had even flown and was left with reluctance as the pilots progressed to more advanced types.

Nearly a dozen varieties of the basic Kaydet were used by the U.S. military services. It was the first airplane to meet the requirements of both the Army and Navy; in fact, the PT-13D usually carried both Army and Navy serial numbers simultaneously. The Navy designated this version of the Kaydet N2S-5.

Of the several types of basic Kaydet, the main difference lay in the engine used; either a 220 hp Lycoming or Continental, or 225 hp Jacobs. With different engines or equipment changes, the Kaydet bore the designations PT-17, PT-18 or PT-27 in addition to the naval designations.

Over 10,000 Kaydets were produced for the United States, and the plane was also used by Peru, Venezuela, Great Britain, and China. Today, several thousand of these hardy trainers still perform their duties as crop dusters, and the plane is a great favorite among air show performers and spectators. However, the Kaydet will always remain symbolic of the neophyte aviator of the war period.

Your Revell model of the Kaydet is an example of the PT-13D/N2S-5, and features the dual registration unique to this type. Powerplant is a 220 hp Lycoming R-680-17. With this engine the PT-13D was capable of attaining a maximum speed of 122 mph. Its range was 440 miles, and it had a service ceiling of 11,700 feet. Dimensions of the Kaydet series were: wingspan — 32 feet; length — 25 feet, 1/4 inch; height — 9 feet, 8 inches.

### H-649 BOEING PT-13D KAYDET

1. Siehe Zeichnung A. Teil 1 in Teil 2 schieben (NICHT KLEBEN), dann Teil 3 sorgfältig in die richtige Lage kleben. Der Propeller muß sich drehen. Teil 4, wie abgebildet, in die richtige Lage kleben. Siehe Zeichnung B. Teile 5 (2), Teile 6 (2), Teil 8 und Teil 9, wie abgebildet, zusammenkleben. Teil 10, 11 und 12 in die richtige Lage kleben. Baugruppe 1A, wie abgebildet, vorne an den Rumpf kleben.
2. Teil 13 und (2) durchsichtige Windschutzscheiben in die richtige Lage kleben. Teil 14 an den Rumpf kleben. Teile 15 (2) und Teile 17 (4), wie abgebildet, in die richtige Lage kleben. Teil 19 sorgfältig ankleben.
3. Teil 20 (1) auf Teil 21 schieben (NICHT KLEBEN), dann Teil 22 (1) sorgfältig in die richtige Lage kleben. Das Rad muß sich drehen. Rechtes Fahrgestell unter Verwendung von Teil 20 (1), Teil 22 (1) und Teil 23 genauso zusammenbauen. Fahrgestell, wie abgebildet, an den Rumpf kleben. Die Absiehbilder, wie angegeben, anbringen. Siehe die 3 Ansichten darstellende Zeichnung.

### H-649 BEING PT-13D KAYDET

1. Voir le Schéma A. Faire glisser (SANS COLLER) la pièce 1 dans la pièce 2, puis coller soigneusement la pièce 3 en position. L'hélice doit pouvoir tourner. Coller la pièce 4 en position comme indiqué. Voir le schéma B, coller (2) pièces 5, (2) pièces 6, les pièces 8 et 9 les unes aux autres comme indiqué. Coller les pièces 10, 11 et 12 en position. Coller l'assemblage 1A à l'avant de la fuselage comme indiqué.
2. Coller la pièce 13 et (2) pare-brises clairs en position. Coller la pièce 14 au fuselage. Coller (2) pièces 15 et (4) pièces 17 en position comme indiqué. Coller soigneusement la pièce 19 en position.
3. Faire glisser (SANS COLLER) (1) pièce 20 sur la pièce 22, puis coller soigneusement (1) pièce 22 en position. La roue doit pouvoir tourner. Répéter l'opération pour le train d'atterrissage droit en utilisant (1) pièce 20, (1) pièce 22 et la pièce 23. Coller le train d'atterrissage au fuselage comme indiqué. Se reporter au dessin à trois profils et appliquer les décalques comme indiqué.

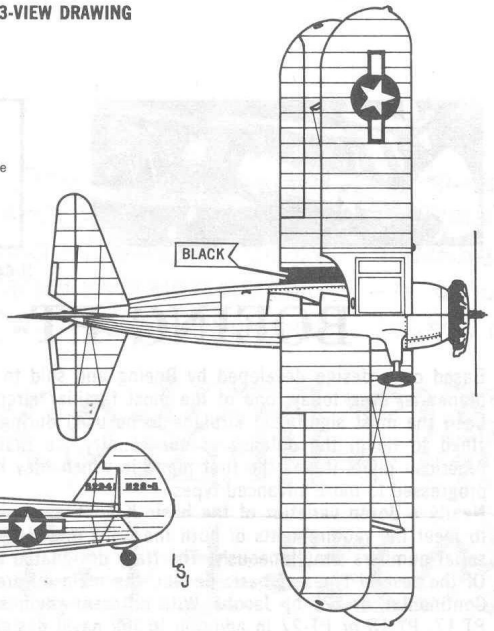
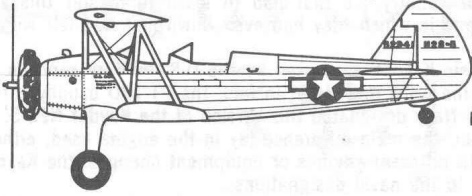
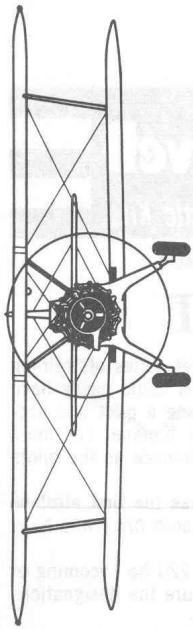
### H-649 BOEING PT-13D KAYDET

1. Se ritning A. Skjut in (LIMMA INTE) del 1 i del 2, och limma sedan försiktigt del 3 på plats. Propellern måste rotera. Limma del 4 på plats så som visas. Se ritning B. Limma ihop två delar 5, två delar 6, del 8 och del 9 så som visas. Limma delarna 10, 11 och 12 på plats.
2. Limma del 13 och två genomskinliga vindskydd på plats. Limma fast del 14 vid flygplanskroppen. Limma två delar 15 och fyra delar 17 på plats så som visas. Limma försiktigt del 19 på plats.
3. Skjut in (LIMMA INTE) en del 20 på del 21, och limma sedan försiktigt en del 22 på plats. Hjulet måste rotera. Upprepa proceduren för högra landningsstället med en del 20, en del 22 och del 23. Limma fast landningsstället vid flygplanskroppen så som visas. Se den tredubbla ritningen och sätt på dekalerna på det sätt som visas.

3-VIEW DRAWING

DIRECTIONS

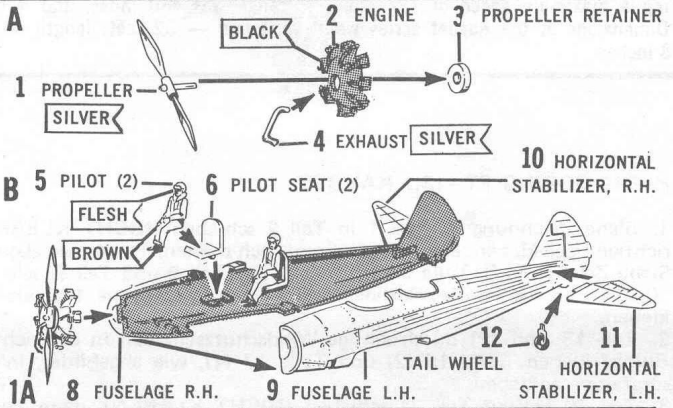
1. Cut each design from decal sheet as needed.
2. Dip in water.
3. Slide decal from paper face up.
4. Use a small brush to wet your model and slide decal into position.
5. Do not touch decal with fingers.
6. Press down with blotter.



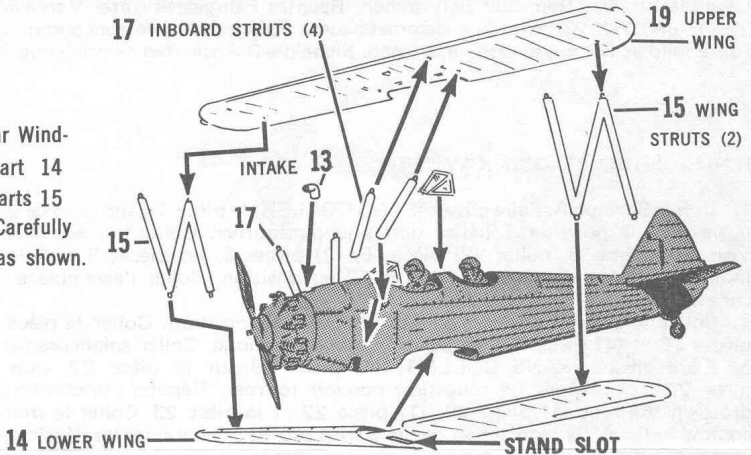
H-649 **FOR BEST RESULTS, READ THIS FIRST.**

This kit is molded of styrene plastic. **REVELL CEMENT & PAINTS** are made especially for use with this material. Always fit parts together to be assured of proper assembly before cementing. Before assembling, paint parts as indicated **RED** and allow to dry. Avoid spilling cement or paint, on clothing, or furniture.

**1**  
See Drawing A. Slide (DO NOT CEMENT) Part 1 into Part 2, then carefully cement Part 3 into place. Propeller must rotate. Cement Part 4 into place as shown. See Drawing B. Cement (2) Parts 5, (2) Parts 6, Part 8 and Part 9 together as shown. Cement Parts 10, 11, and 12 into place. Cement Assembly 1A to front of Fuselage as shown.



**2**  
Cement Part 13 and (2) Clear Windshields into place. Cement Part 14 to Fuselage. Cement (2) Parts 15 and (4) Parts 17 into place. Carefully cement Part 19 into place as shown.



**3**  
Slide (DO NOT CEMENT) (1) Part 20 on Part 21, then carefully cement (1) Part 22 into place. Wheel must rotate. Repeat procedure for right Landing Gear using (1) Part 20, (1) Part 22, and Part 23. Cement Landing Gear to Fuselage as shown. Refer to 3-View Drawing and apply decals as shown.

