

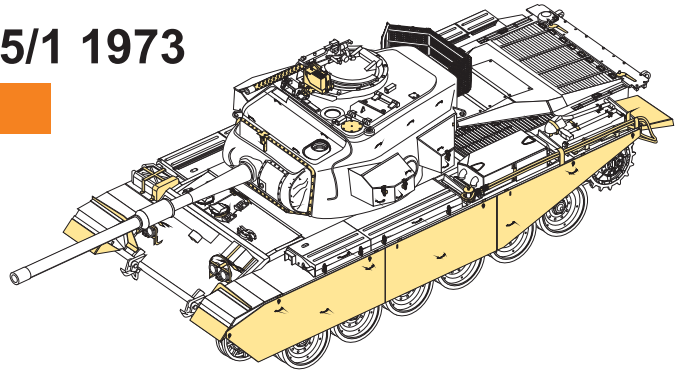
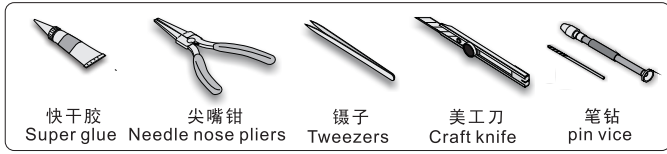
1/35 MILITARY MINIATURE VEHICLE UPGRADE SERIES PE35243

# IDF SHOT KAL Centurion Mk.5/1 1973

以色列百夫长Mk.5/1坦克"肖特-卡尔"(1973年样式)改造件

[For AFV Club 35124]

推荐使用工具 RECOMMENDED TOOLS



- ↑  
安装  
install
  - ↩  
折叠  
bend
  - A1  
改造件零件编号  
PE/resin part number
  - B12  
原零件编号  
kit part number
  - C22  
被替换的原零件编号  
replaced kit part number
  - ✂  
切除  
remove
  - ↪  
弧度卷曲  
radial bending
  - x2  
制作若干组  
multiple assembly
  - ⇄  
选择安装  
alternative
  - ⚪  
钻孔  
drill
- ▲ 另一侧相同制作  
repeat on opposite side

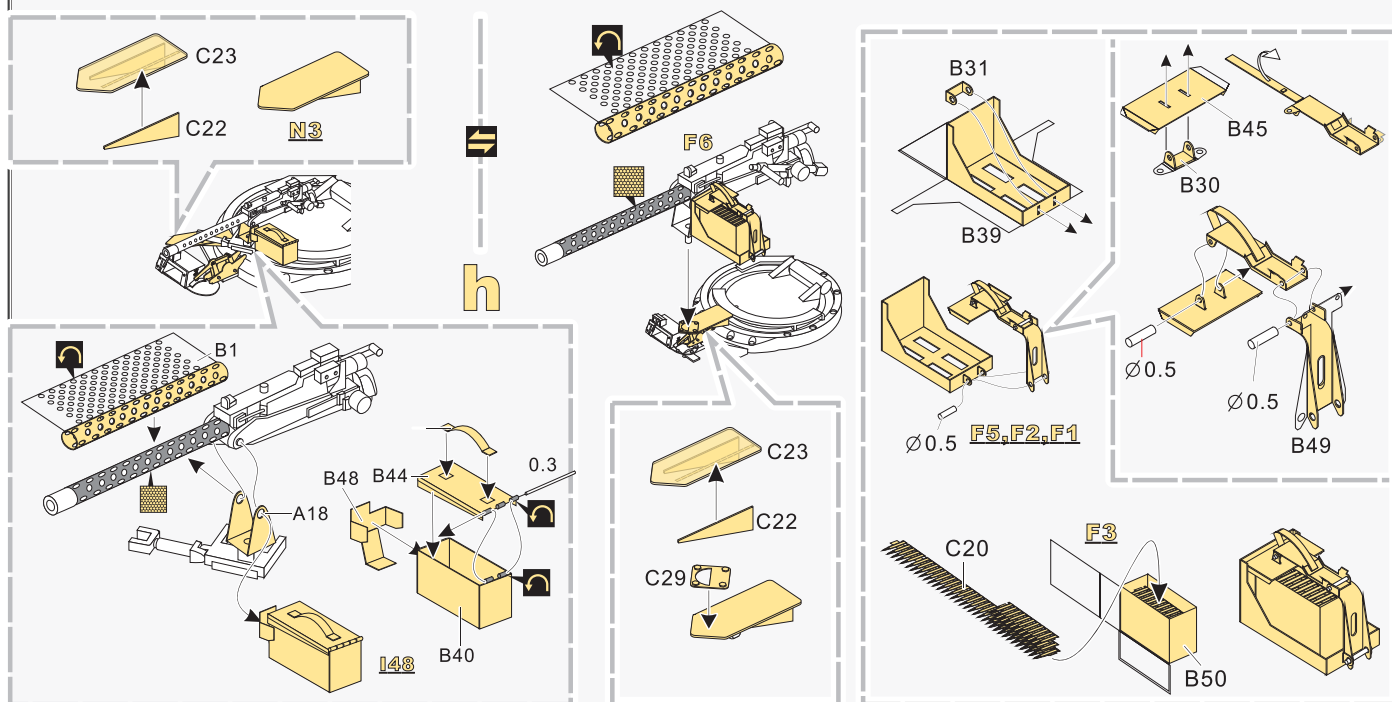
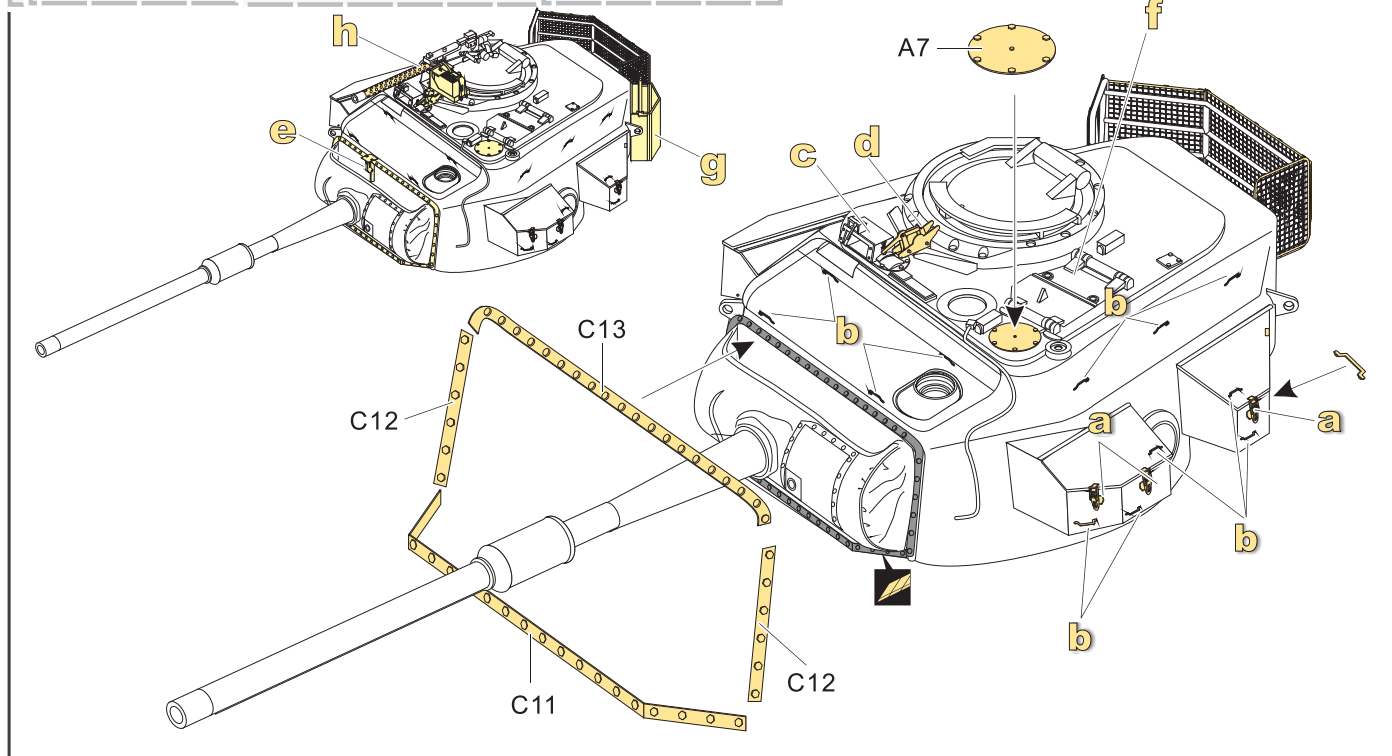
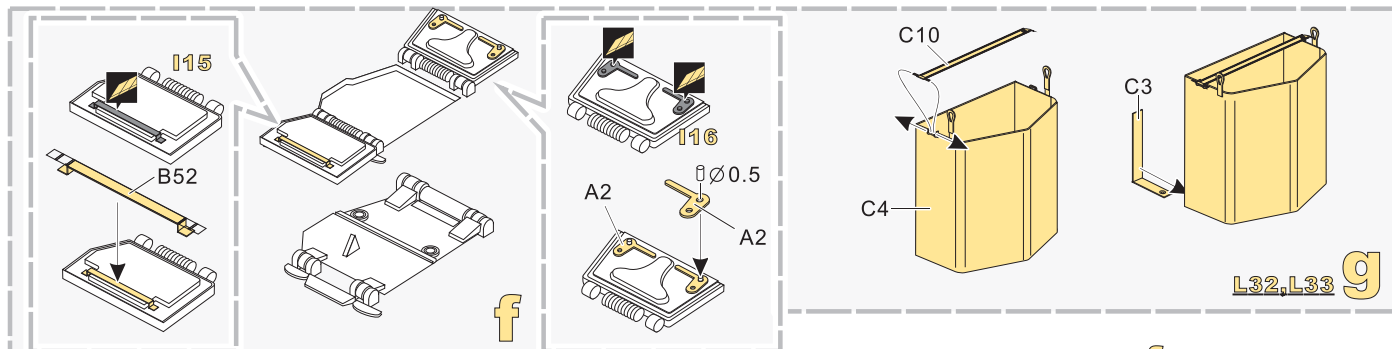
**制作线圈**  
make coil

**用尖端在凹槽处冲压**  
use penpoint to press on the dent

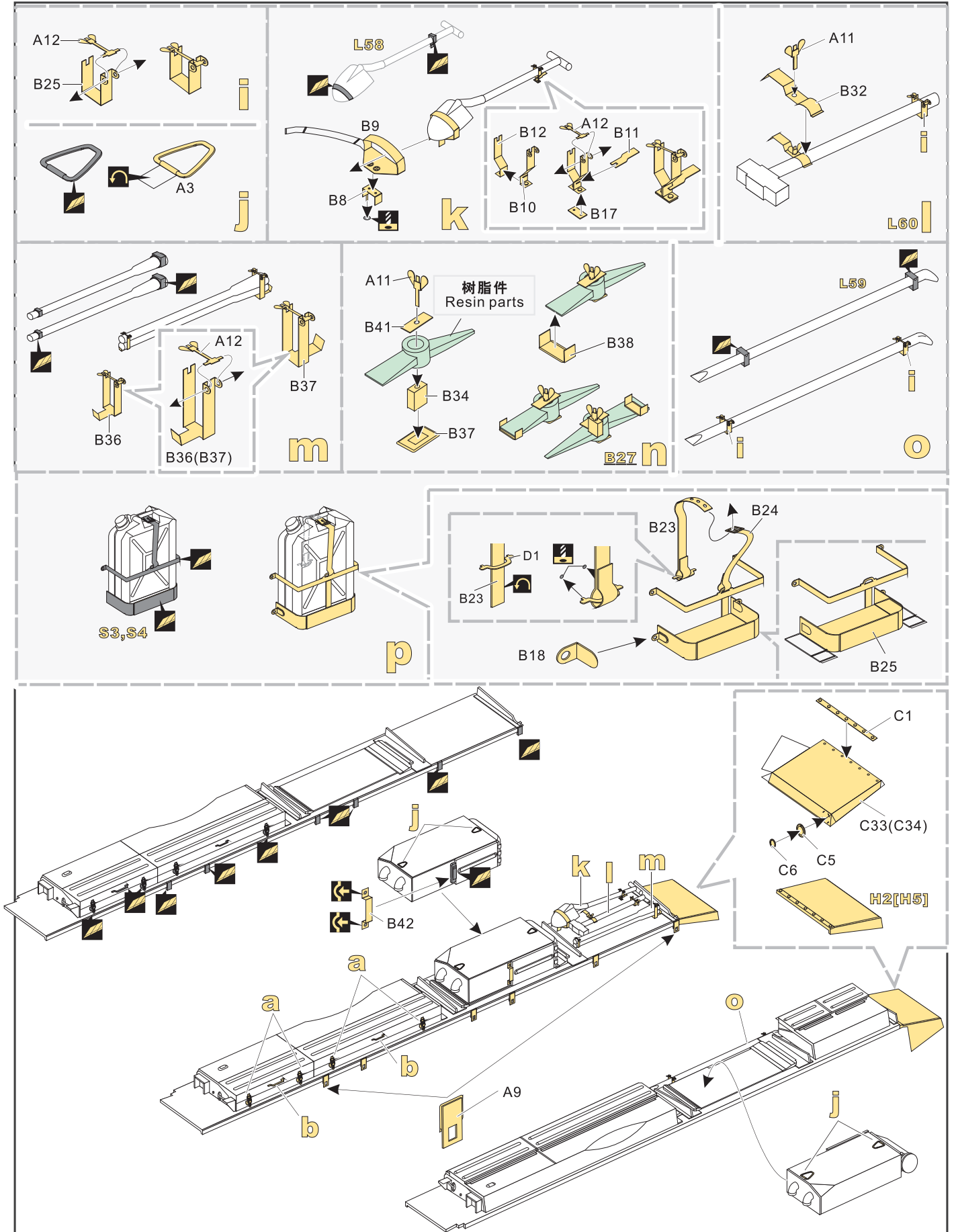
蚀刻片零件内面向上  
Put the part upside down

用笔尖在凹槽处刻  
Use penpoint to press on the dent

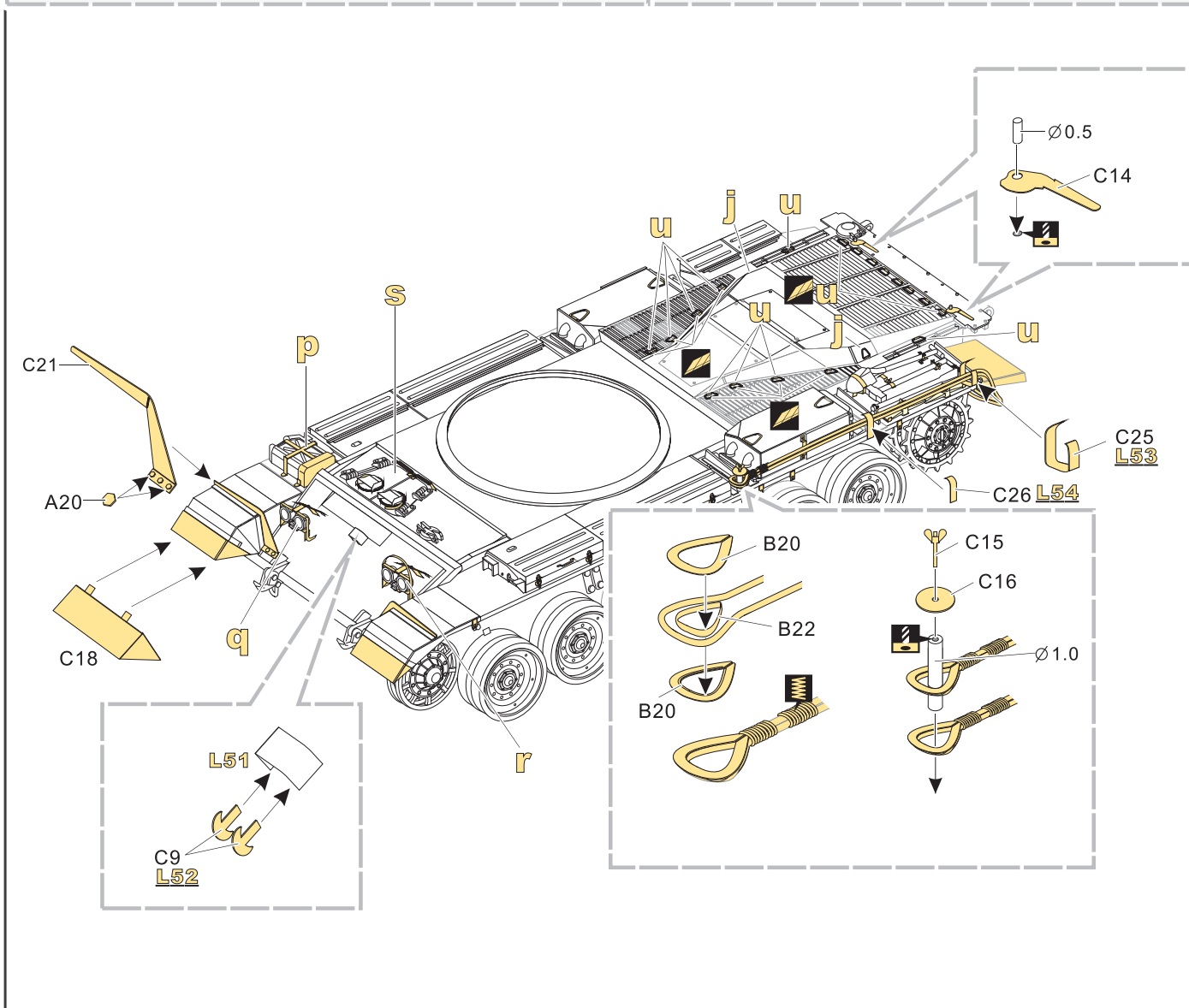
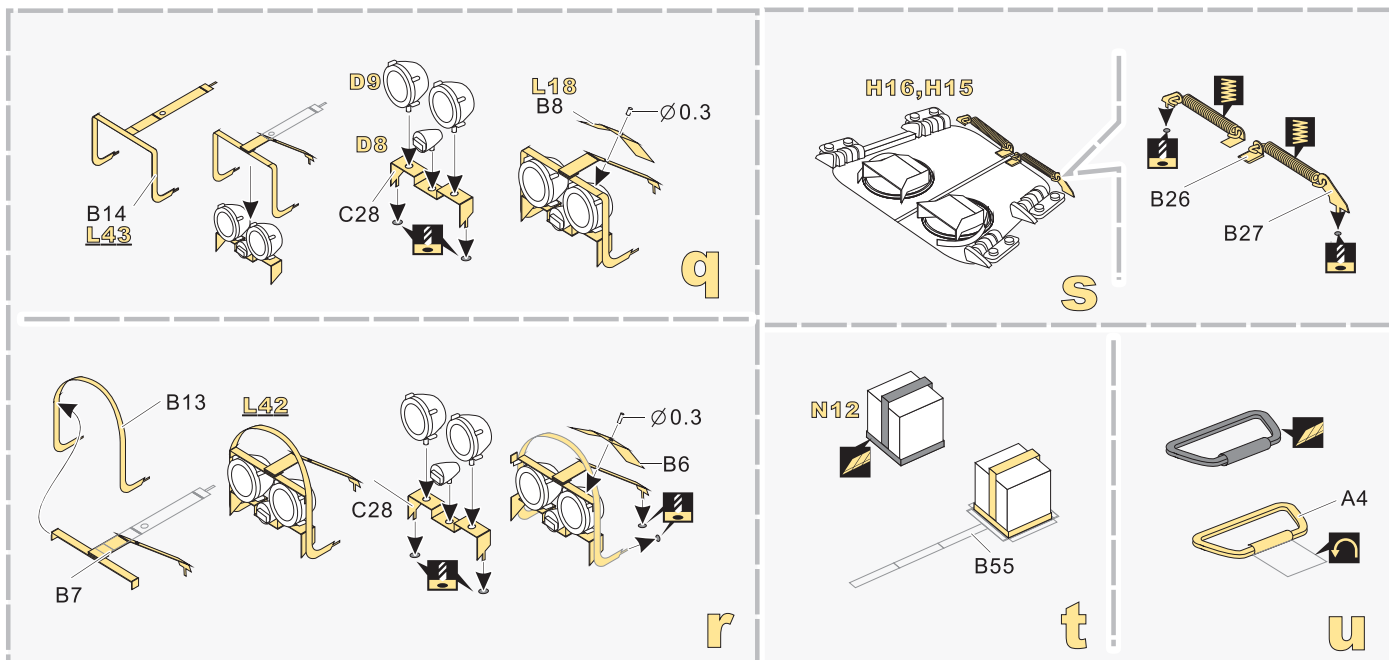
1/35 MILITARY MINIATURE VEHICLE UPGRADE SERIES PE35243



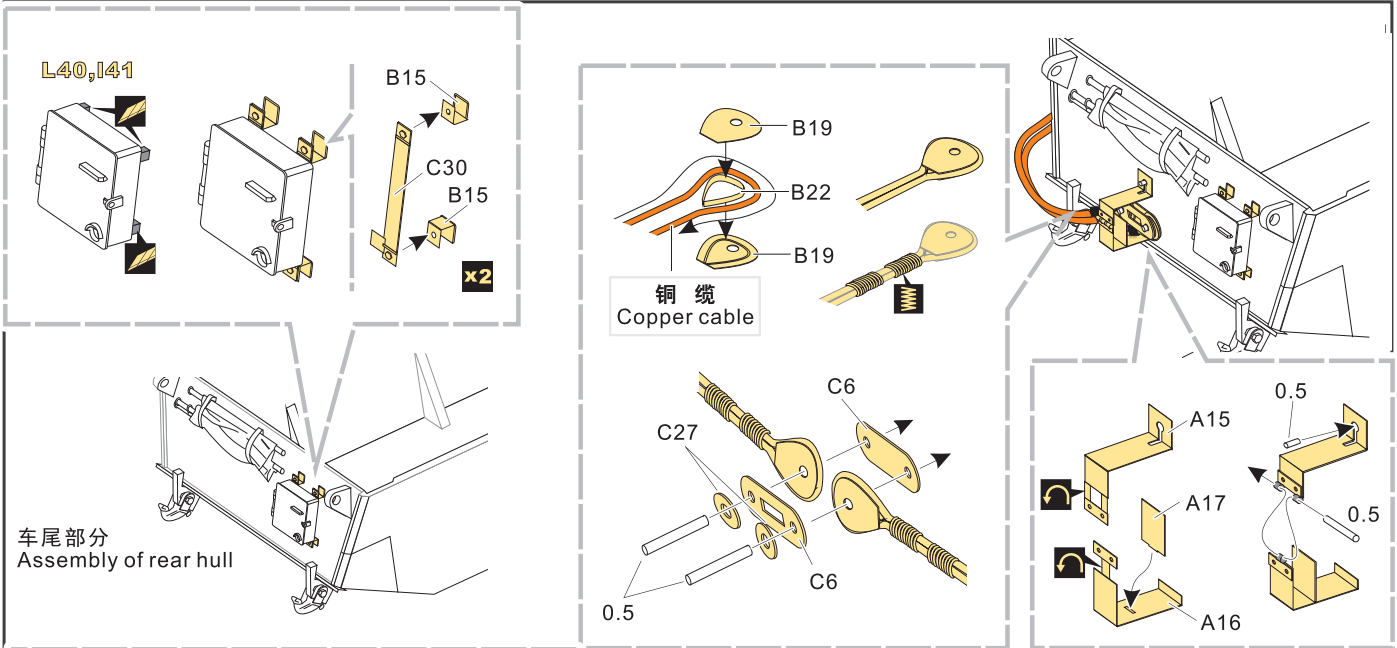
1/35 MILITARY MINIATURE VEHICLE UPGRADE SERIES PE35243



1/35 MILITARY MINIATURE VEHICLE UPGRADE SERIES PE35243

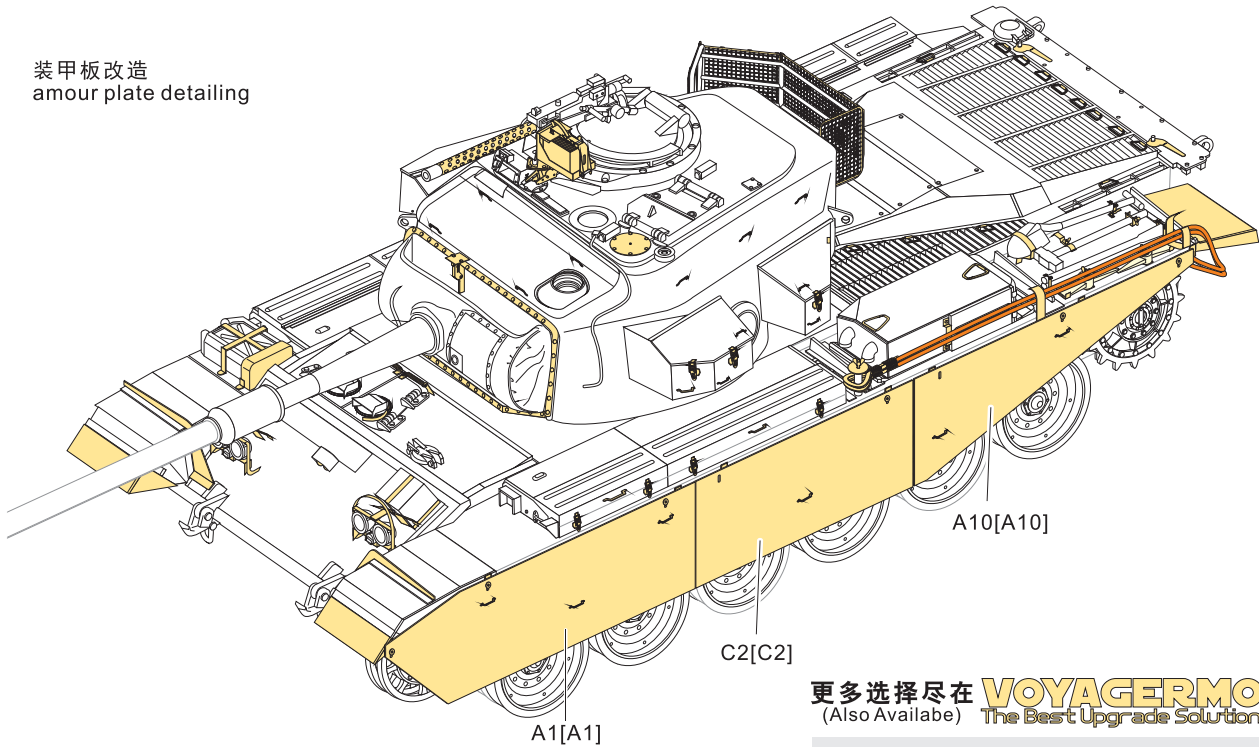


1/35 MILITARY MINIATURE VEHICLE UPGRADE SERIES PE35243



车尾部分  
Assembly of rear hull

装甲板改造  
armor plate detailing



更多选择尽在 **VOYAGERMODEL®**  
(Also Available) The Best Upgrade Solution

推荐使用 Pe35110 现代英军百夫长MK5/1型改造件进一步升级

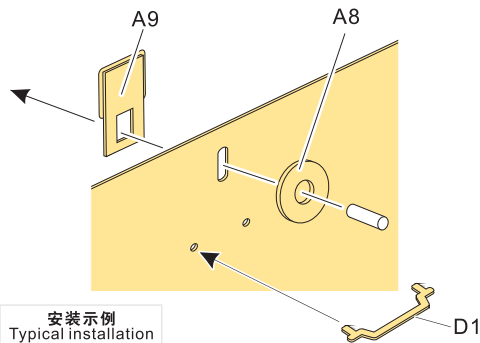
We suggest use PE35110 Modren UK Centurion MK 5/1/with skirts for further upgrade.

推荐使用 Pe35126 现代英军百夫长MK5/2 6型105mm/及侧裙改造件进一步升级

We suggest use PE35126 Modren UK Centurion MK5/2 6 105mm/with skirts for further upgrade.

推荐使用 PE35217现代以色列百夫长MK5 & 5/1 1967 早期型/及侧裙改造件进一步升级

We suggest use Pe35217 Modren IDF Shot Centurion Mk5 & 5/1 1967 Early Type for further upgrade.



安装示例  
Typical installation