

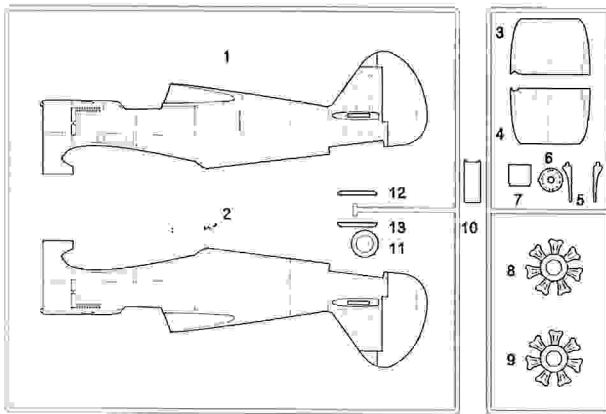


WP14811

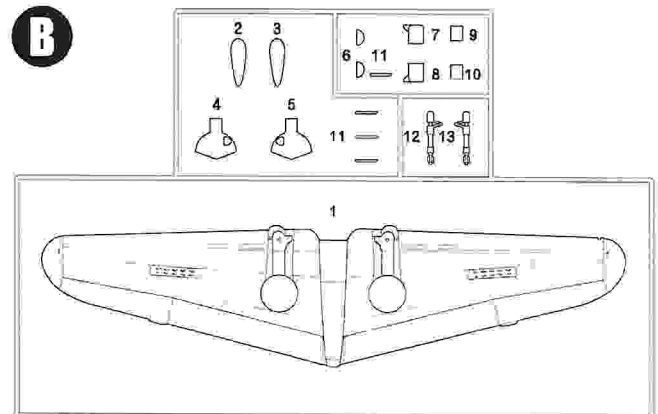
**1/48**  
**Scale**

The Curtiss P-36 Hawk (Hawk Model 75) is an American-designed and built fighter aircraft of the 1930s and 40s. It was one of the first of a new generation of combat aircraft—a sleek monoplane design making extensive use of metal in its construction and powered by the Pratt & Whitney R-1830 radial engine. The Curtiss P-36A was exported to many countries such as France, the Netherlands, Norway, and the UK and was active in each front in World War II. The only combat by U.S.-operated P-36s took place during the Japanese attack on Pearl Harbor. Five of the 39 P-36A Hawks at Pearl Harbor were able to take off during the attack and were credited with shooting down two Japanese Mitsubishi A6M2 Zeros for the loss of one P-36, thereby scoring U.S. aerial victories that were among the first of the Second World War.

**A**

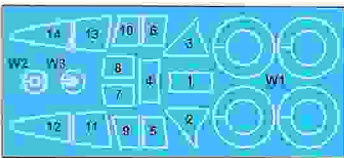


**B**

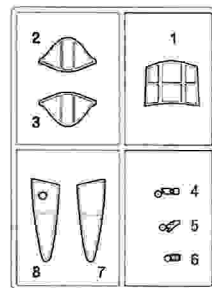


**MS**

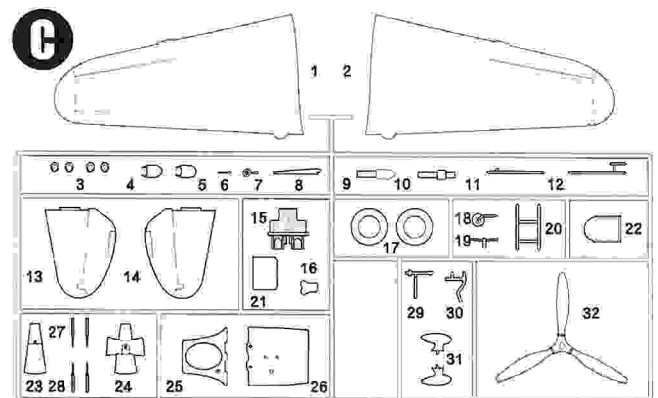
\*MS (Masking Seal)



**D**

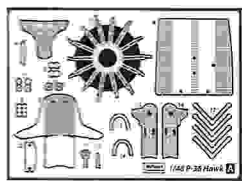


**C**



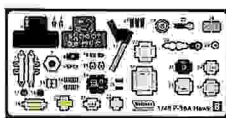
**PA**

\*PA (Brass PE)



**PB**

\*PB (Color PE)



Contains one unassembled model kit only.  
No Paint and Cement in box.  
Kit suitable for Age 14 to Adult.

조립되지 않은 키트가 들어있습니다.  
접착제와 도료는 들어있지 않습니다.  
15세 이상 판매용

Wolfpack-Design Co. Ltd.

F2, 352, Gwangdoek 4-ro, Sangroku, Ansan-si, Gyeongido, Republic of Korea

울프팩 디자인  
경기도 안산시 상록구 광덕 4로, 352, 2중  
우 : 15489

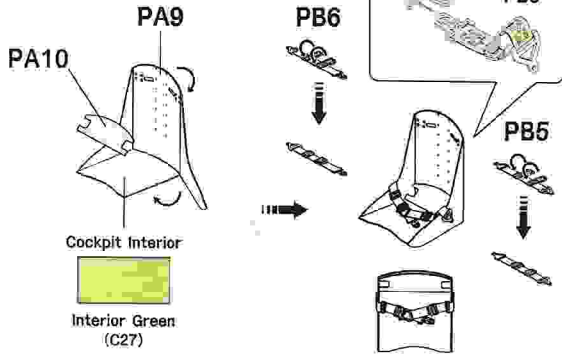
Parts not for use.  
(불필요부품)

C6, C7, C9, C12, C19,  
C23, C27, C28, C31,  
C39, D3, D4, D5, D6

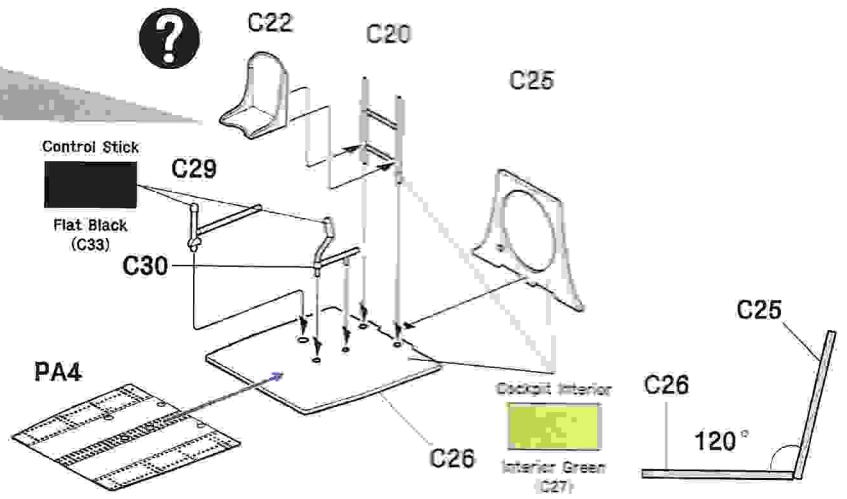
Printed in Korea

# 1 Cockpit Assembly (조종석 조립)

**PE** PE seat with seat belts



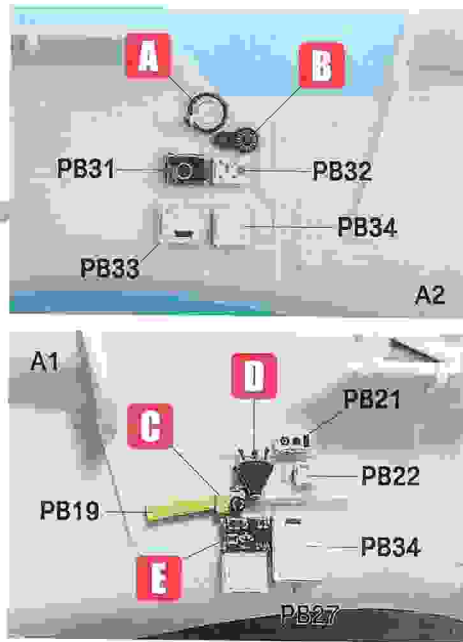
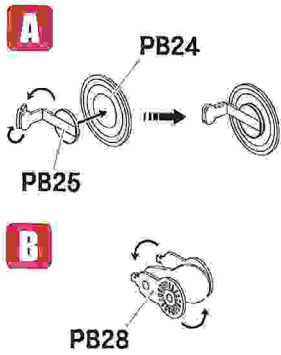
Options



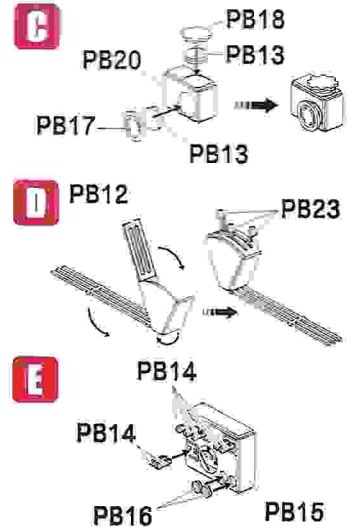
# 2 Side Instrument panels (측면 조종석 계기판)

**Cut** Remove some details underneath before attaching new PE parts.

**PE** Cockpit parts

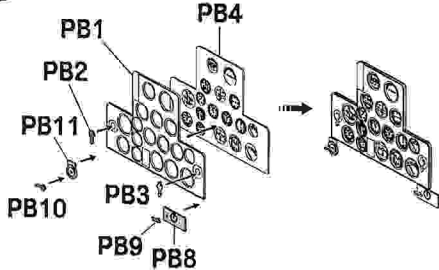


**PE** Cockpit parts (Left)



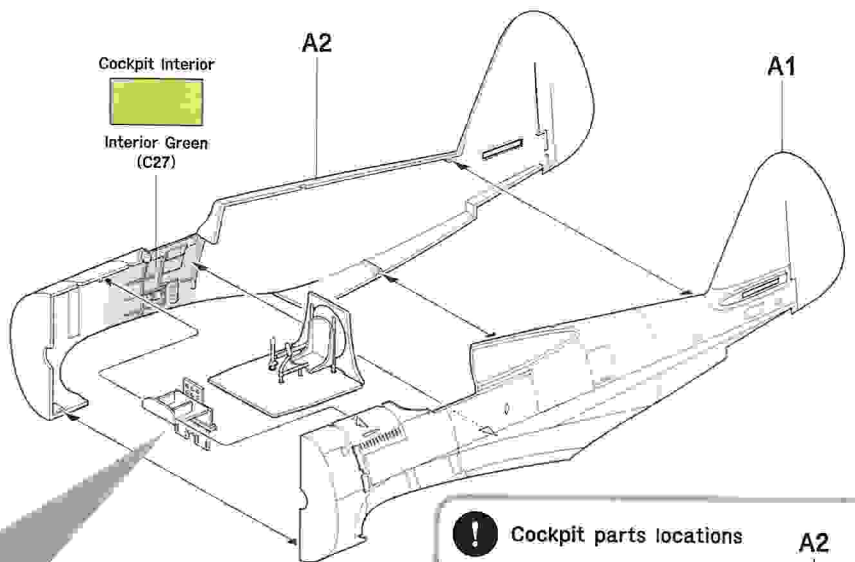
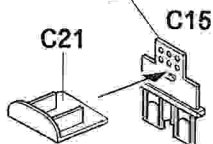
# 3 Front Instrument panels & Fuselage (전방 계기판과 동체 조립)

**PE** Front Instrument Panels

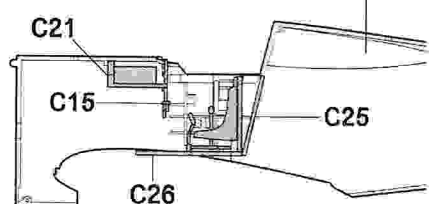


Cut front details

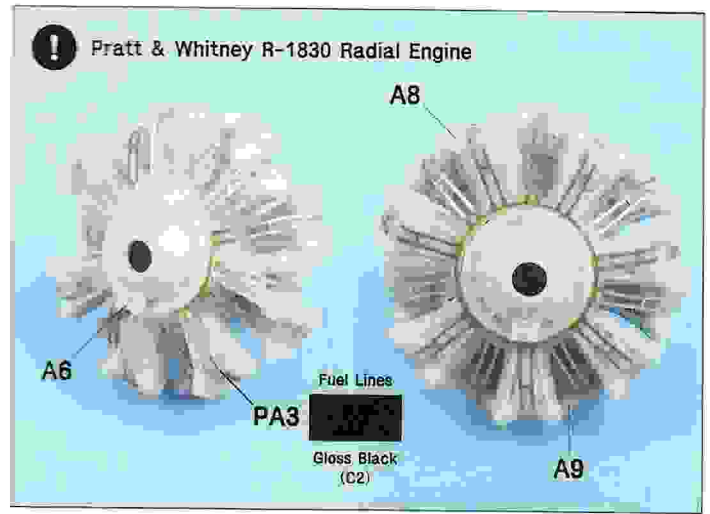
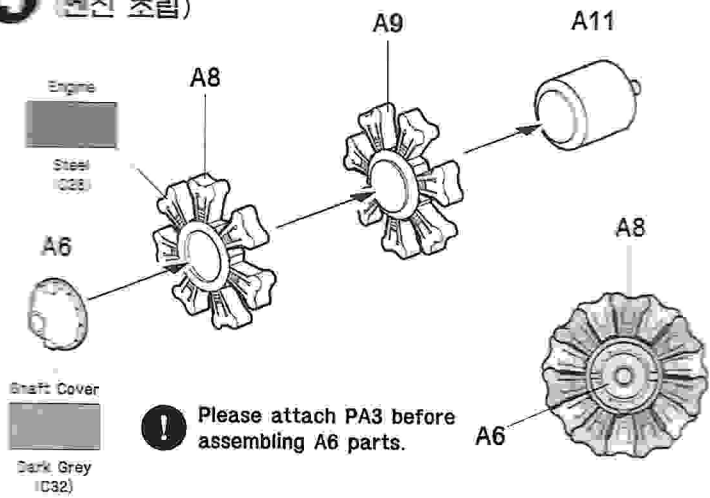
**Cut**



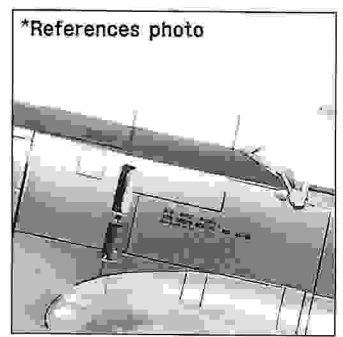
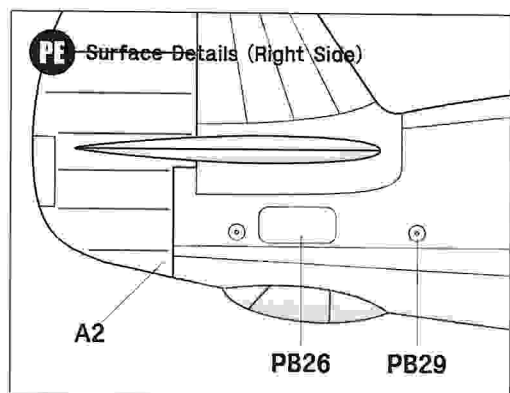
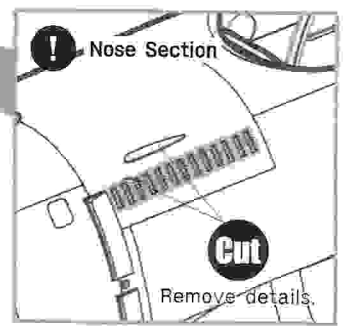
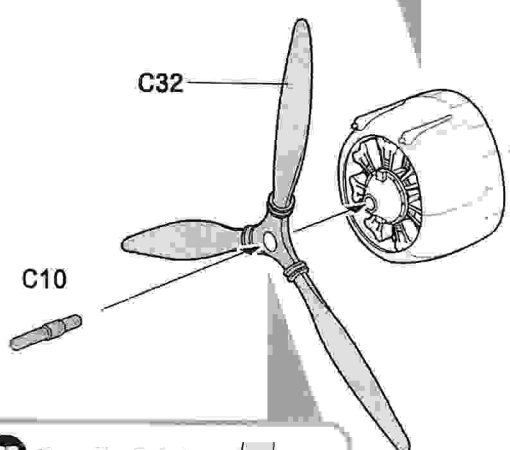
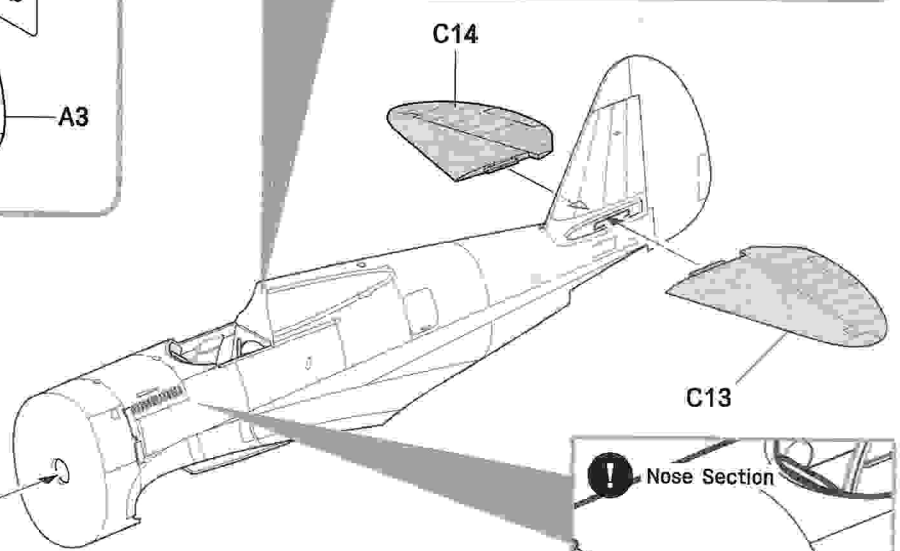
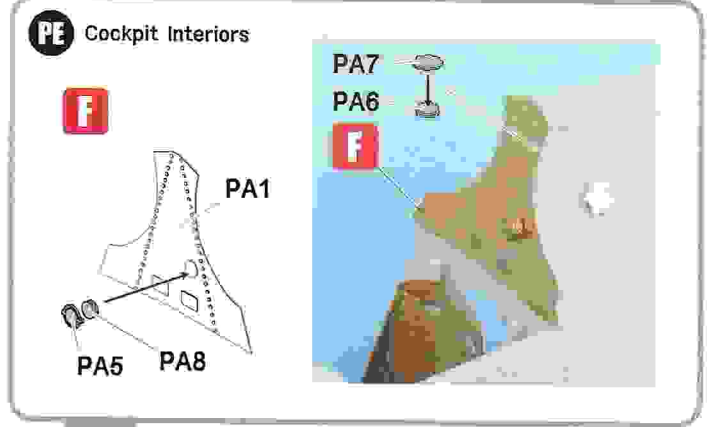
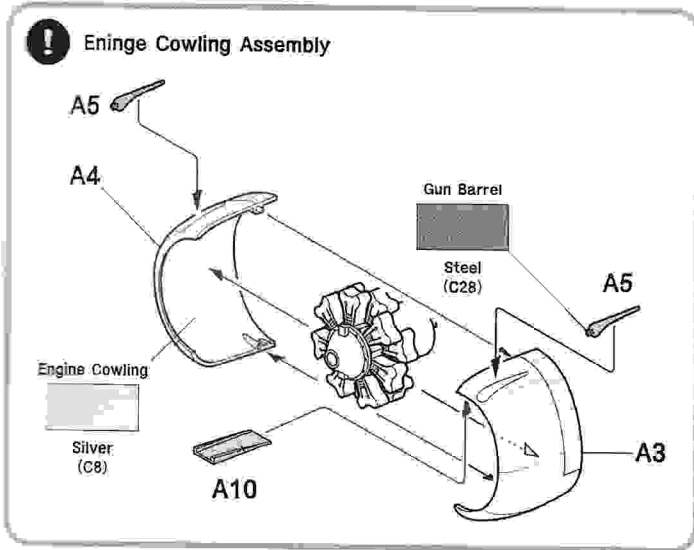
**!** Cockpit parts locations



#### 4 Engine Assembly (엔진 조립)

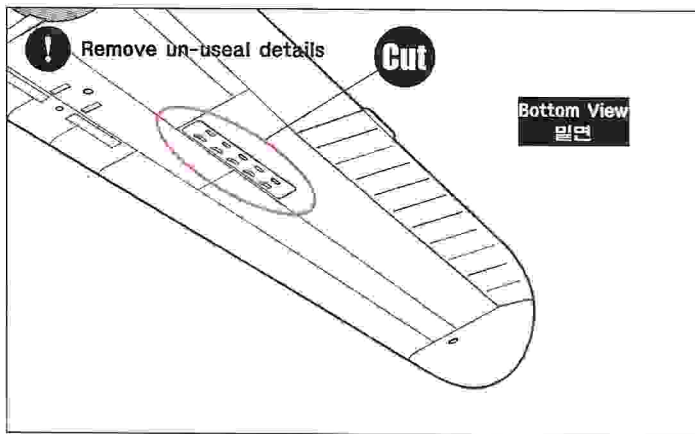
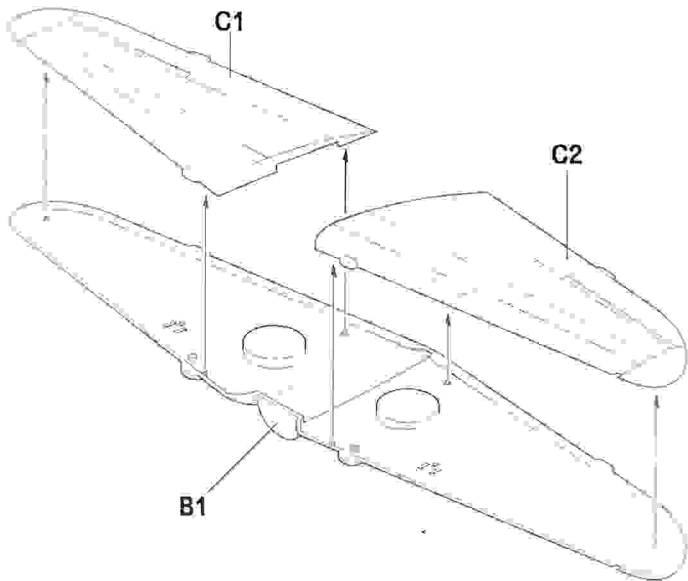


#### 5 Engine & Fuselage Assembly (엔진과 동체 조립)

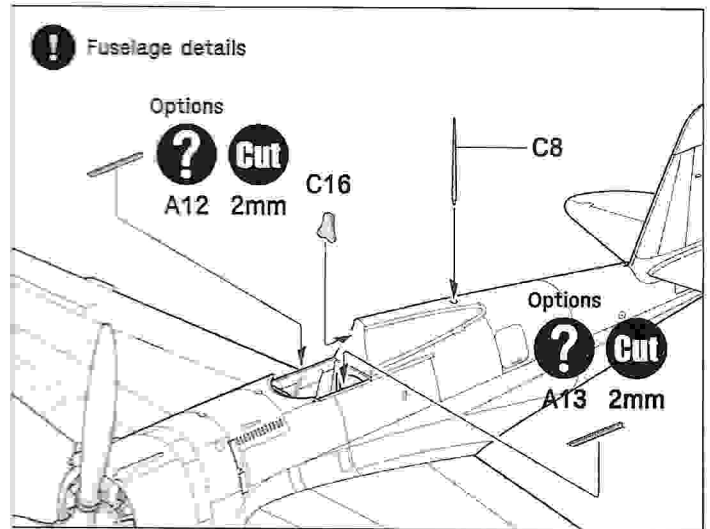
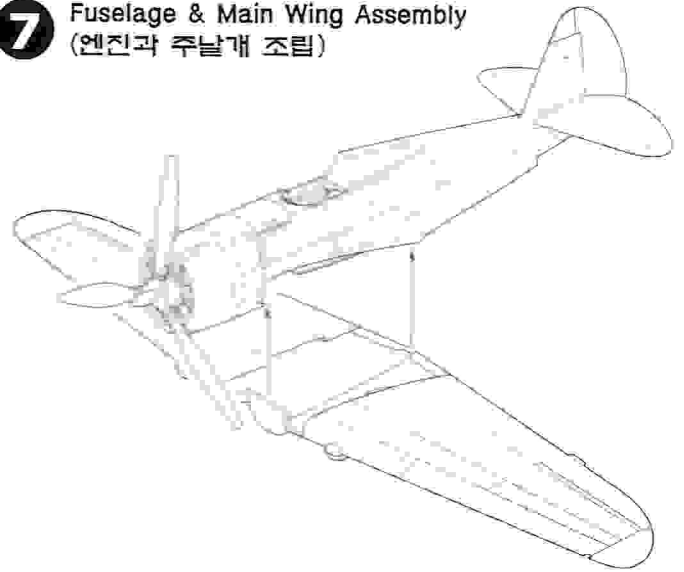




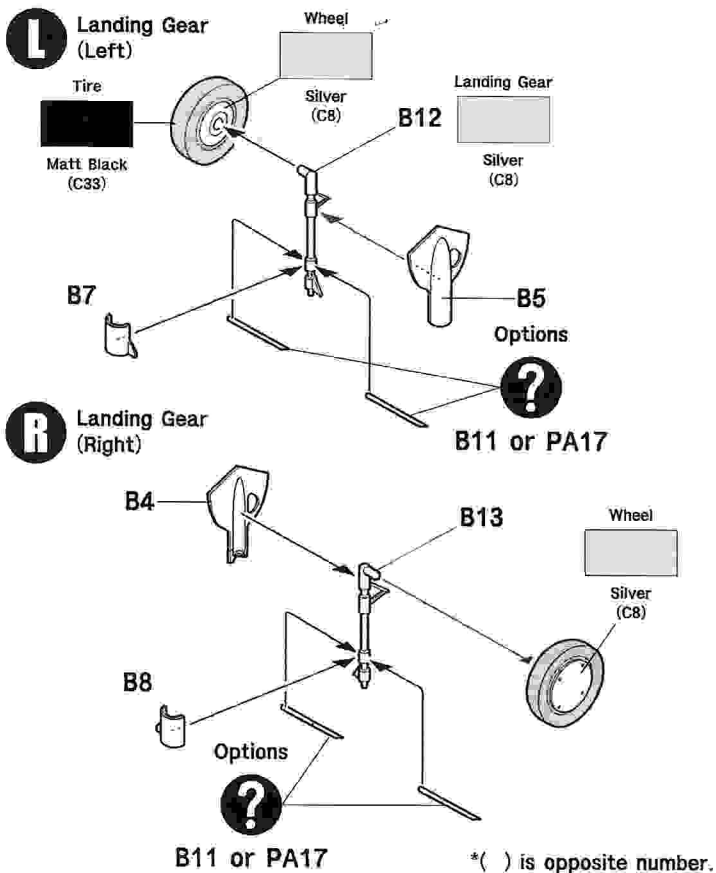
**6** Main Wing Assembly  
(주날개 조립)



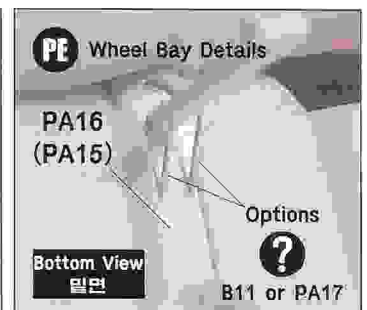
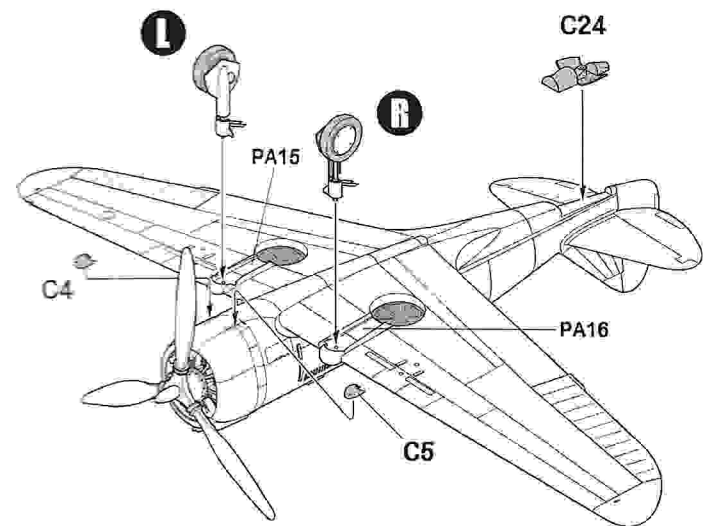
**7** Fuselage & Main Wing Assembly  
(엔진과 주날개 조립)



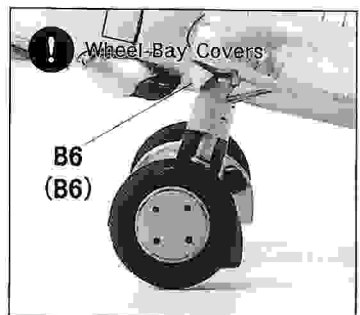
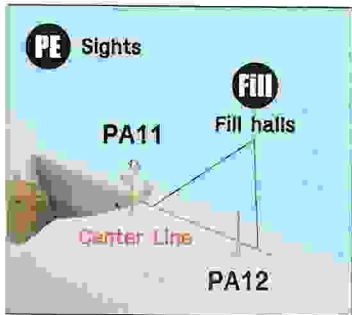
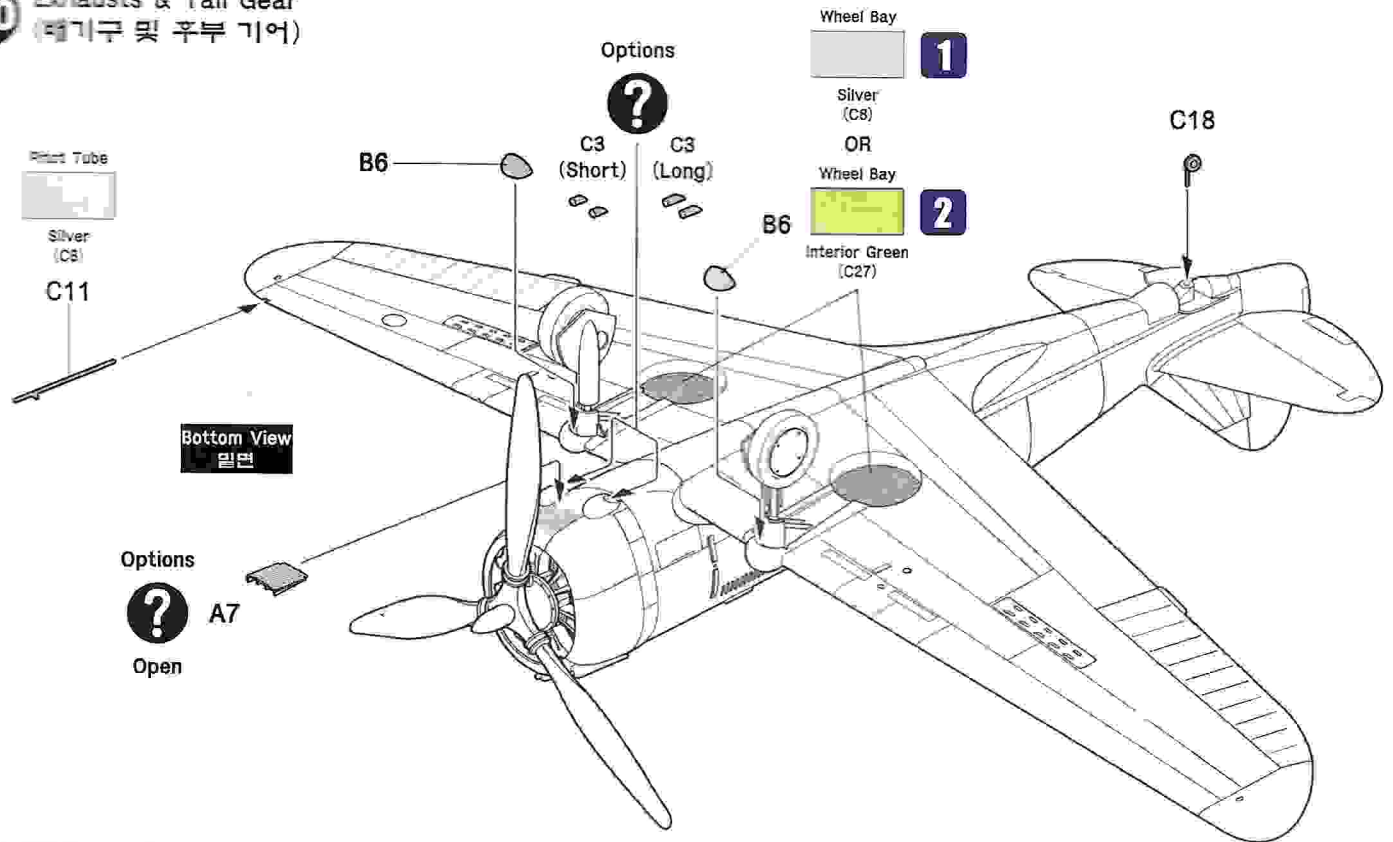
**8** Landing Gears & Wheel Covers  
(랜딩기어와 휠 커버 조립)



**9** Landing Gears & Wheel Covers  
(랜딩기어와 휠 커버 조립)

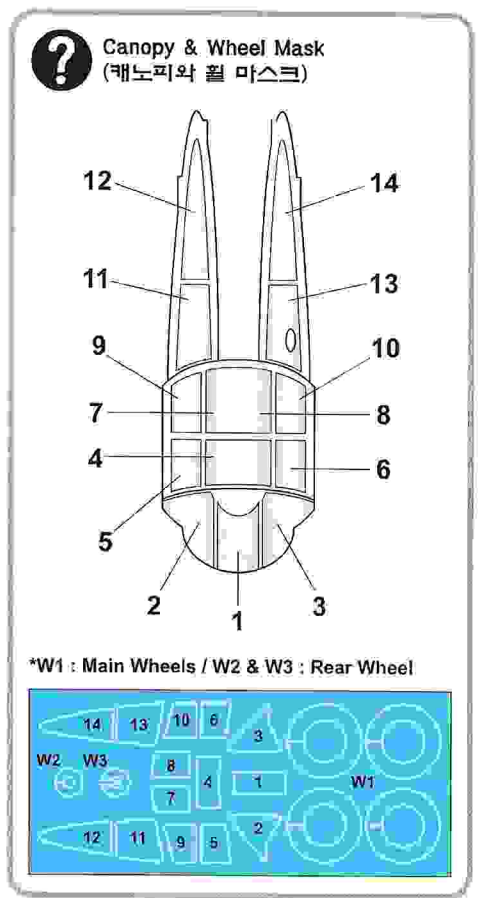
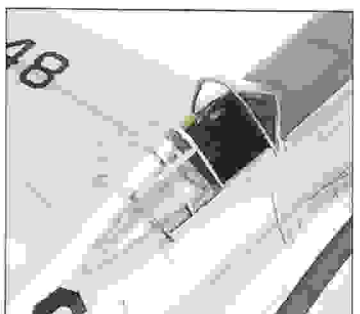
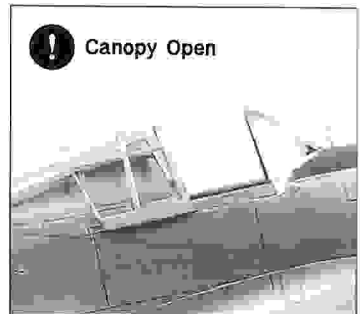
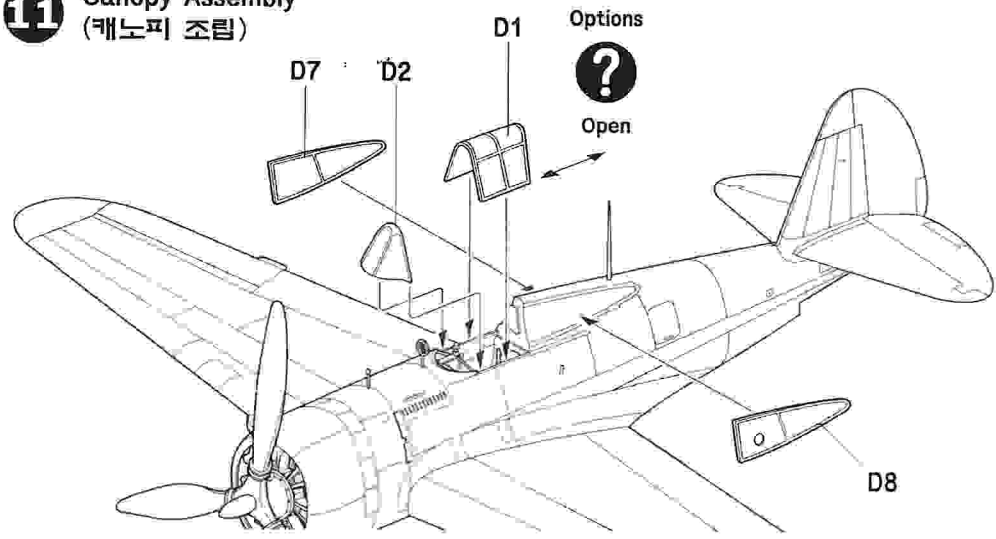


# 10 Exhausts & Tail Gear (배기구 및 후부 기어)

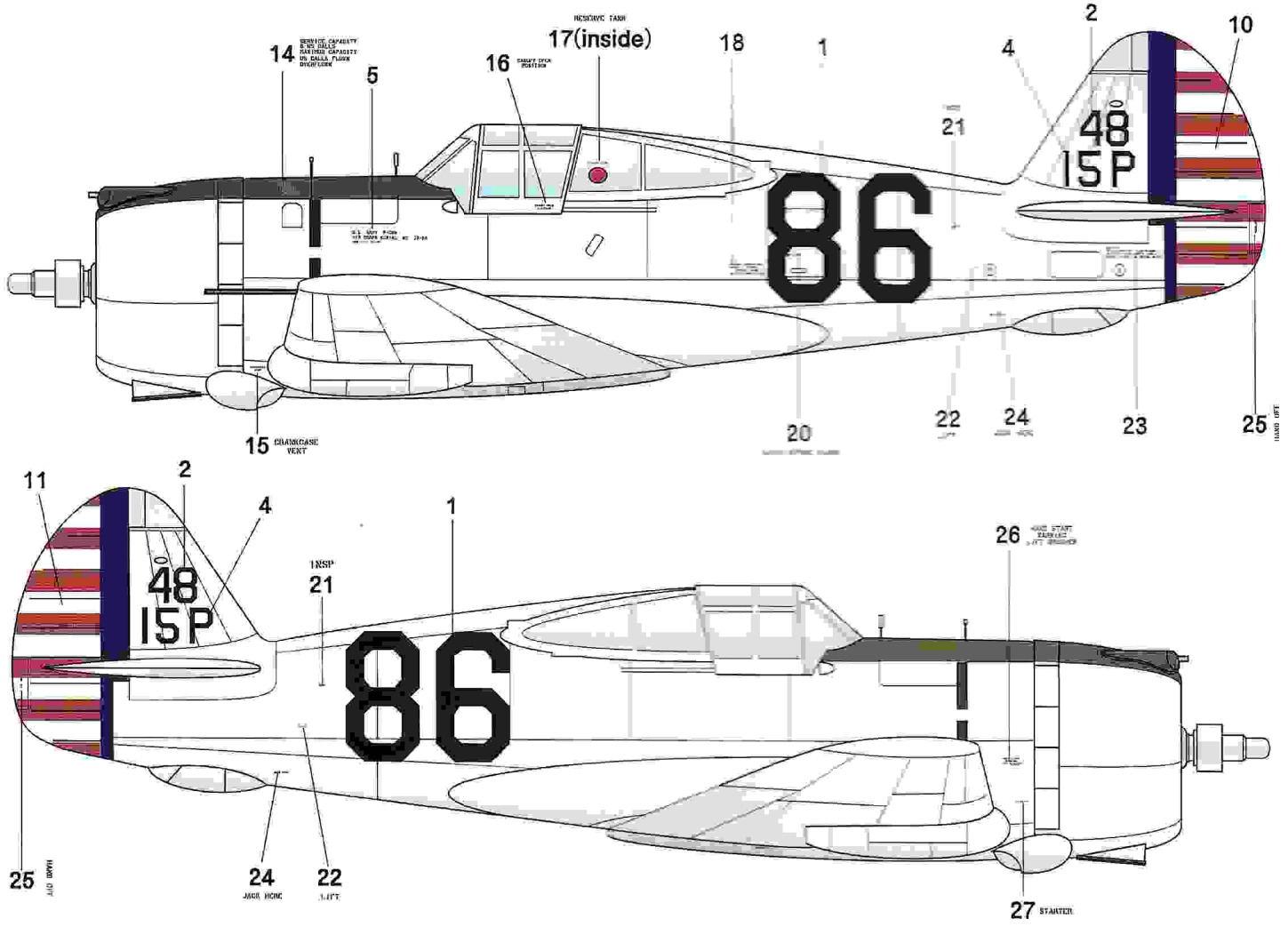


\*Color number : GSI Creos Mr. Color.

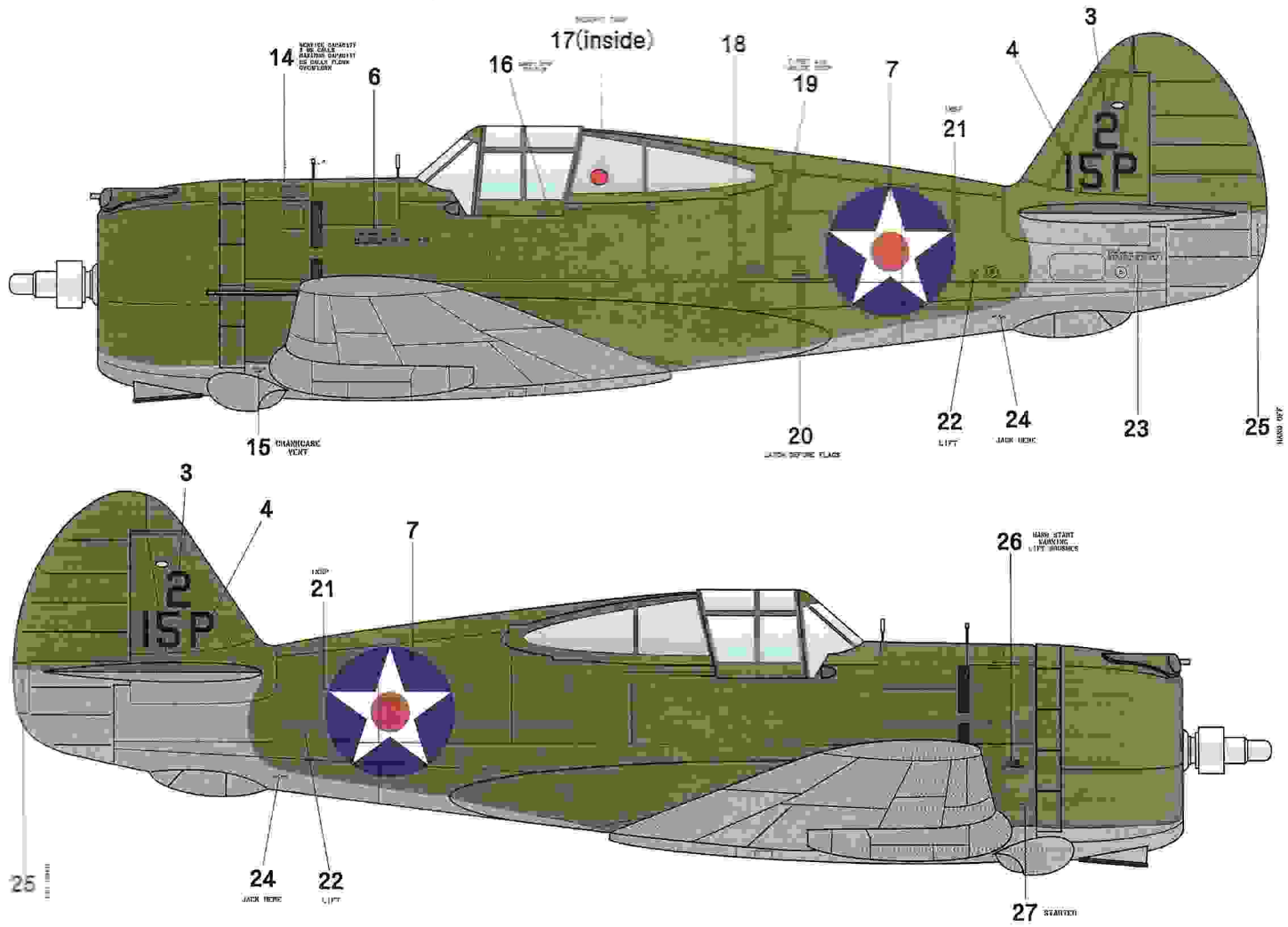
# 11 Canopy Assembly (캐노피 조립)

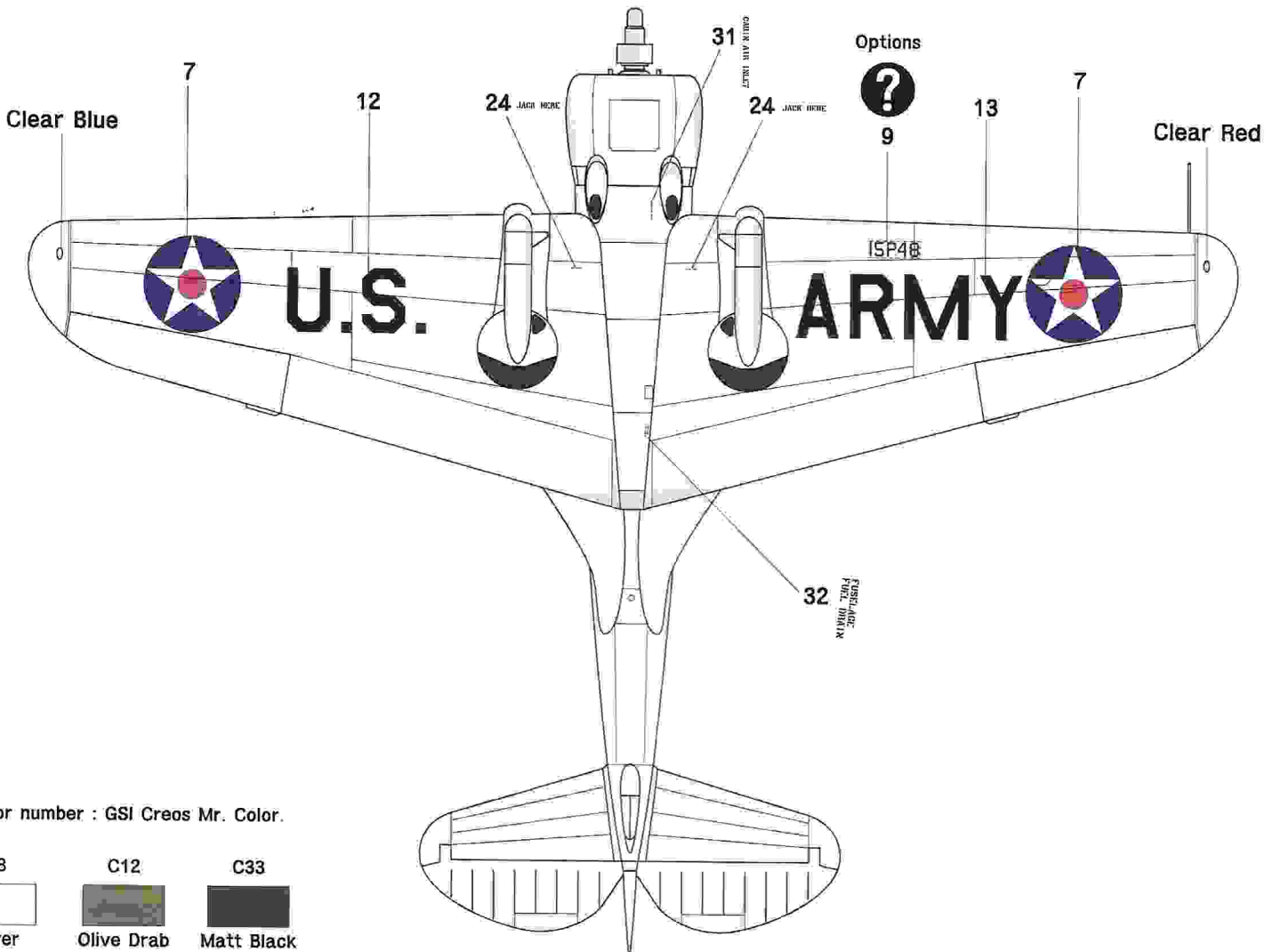
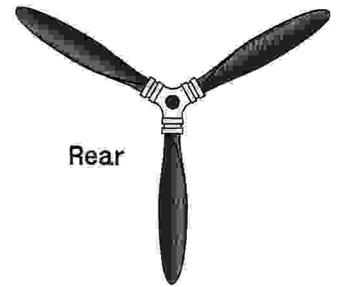
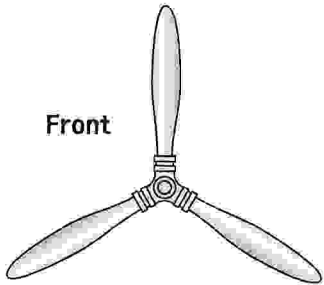
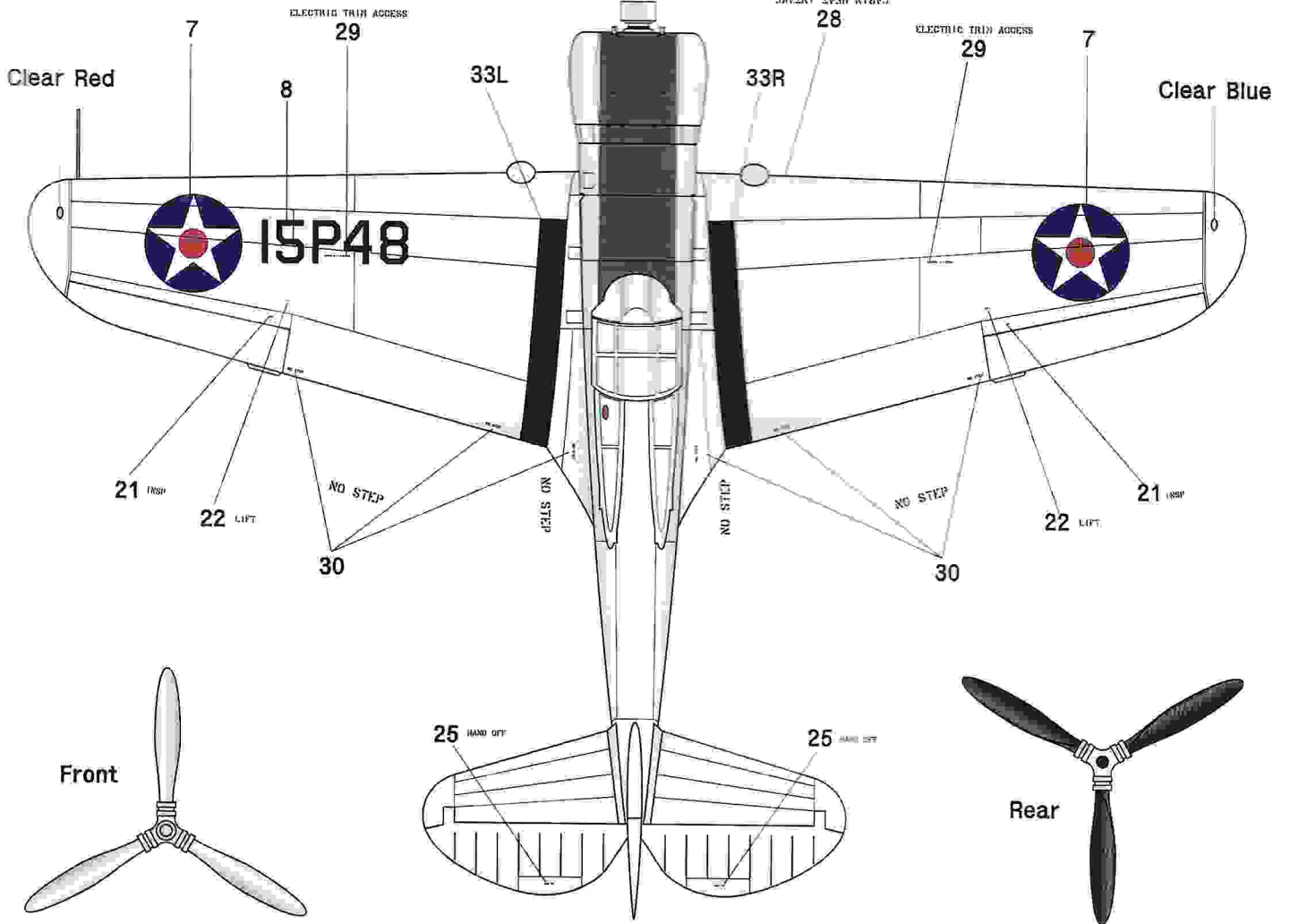


**1** USAAF P-36A Hawk, S/N : 38-86, flown by 2/Lt. Phillip Rasmussen, 46th Pursuit Squadron, 15th Pursuit Group, Wheeler Field, Hawaii, One Victory on Dec. 7, 1941



**2** USAAF P-36A Hawk, S/N : 38-92, flown by Lt. Harry Winston Brown, 47th Pursuit Squadron, 15th Pursuit Group, Haleiwa Field, Hawaii, Two Victories on Dec. 7, 1941

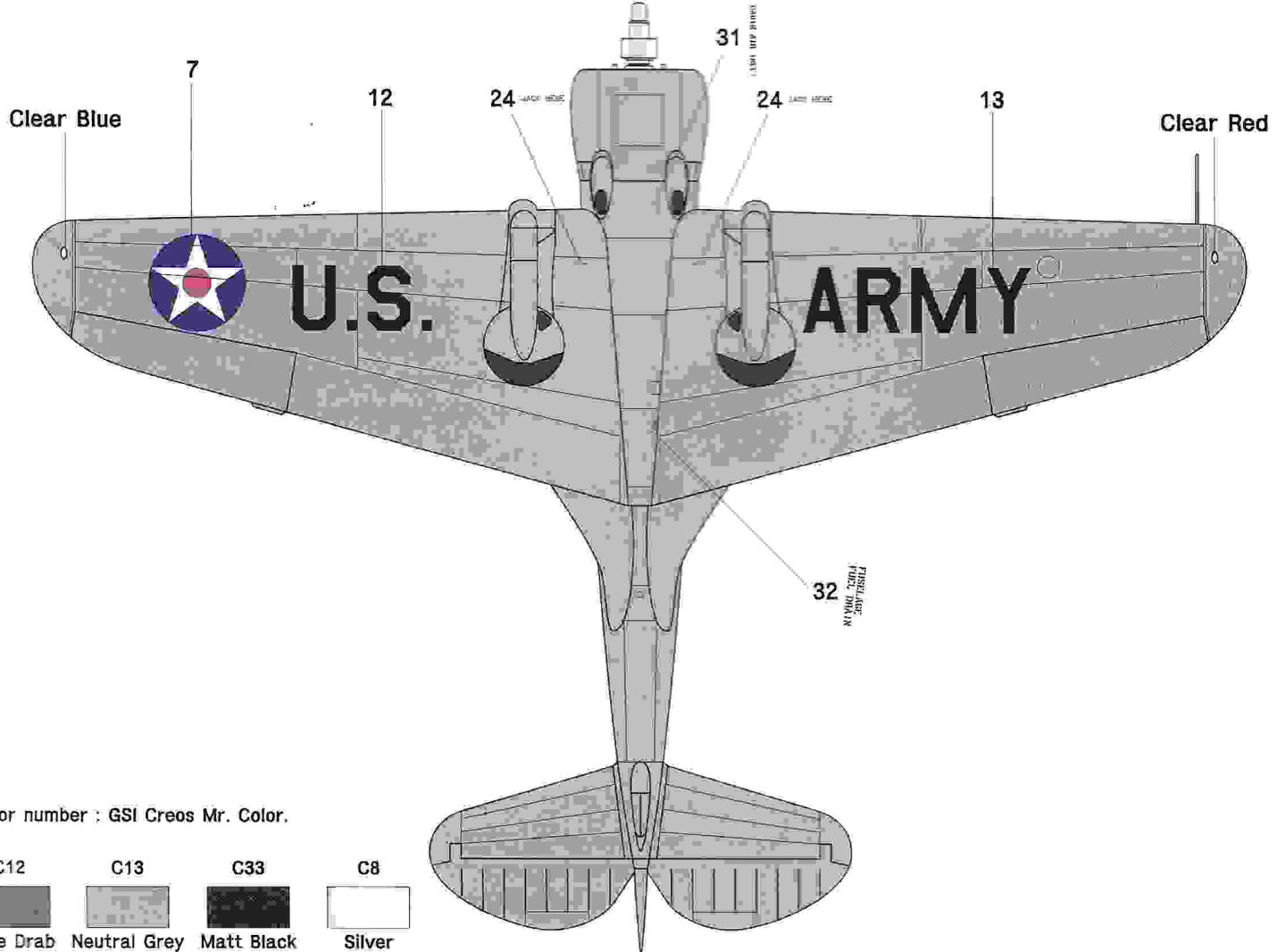
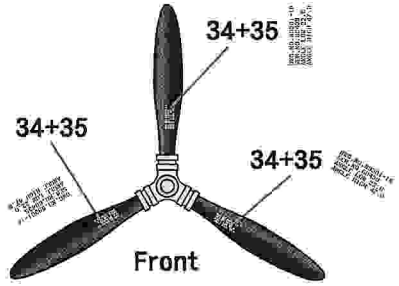
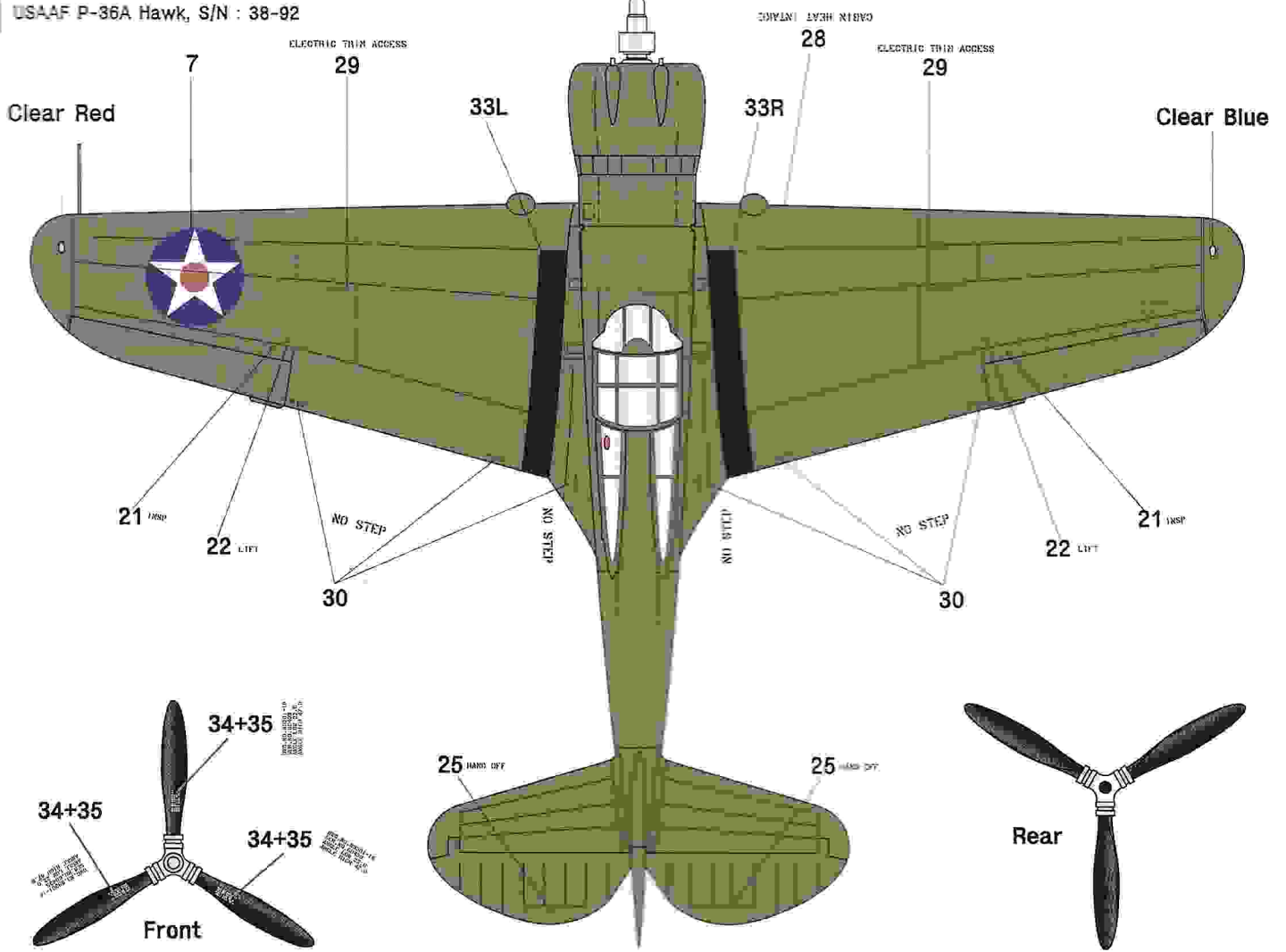




\*Color number : GSI Creos Mr. Color.

- C8 Silver
- C12 Olive Drab
- C33 Matt Black





\*Color number : GSI Creos Mr. Color.

C12	C13	C33	C8
Olive Drab	Neutral Grey	Matt Black	Silver