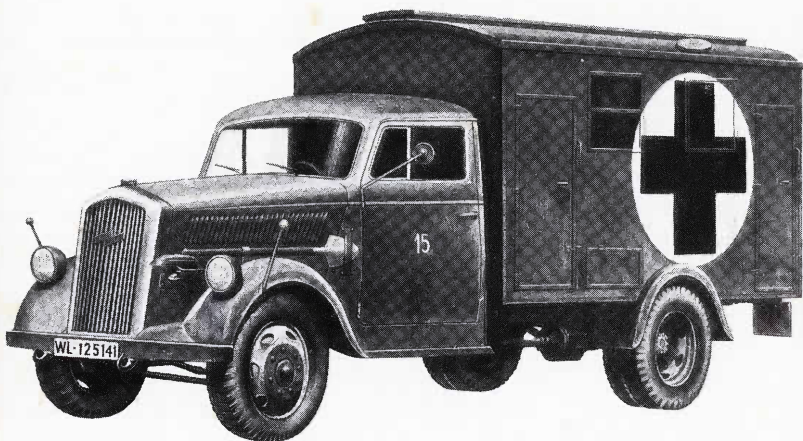


GERMAN TRUCK

opel 3,6 ambulance



SPECIFICATION

GENERAL DIMENSIONS

LENGTH 6,10 M.

HEIGHT 2,25 M.

WIDTH 2,27 M.

WHEEL BASE 3,60 M.

ENGINE OPEL 3,6 L., 6 CYLINDERS, 3,626 C.C.

BRAKES HYDRAULIC.

CONSTANT YIELD 68 BHP AT 3,000 RPM.

TRANSMISSION 5F1R X 2.

WEIGHT 2,810 KGS PAYLOAD 3,290 KGS.

SPEED MAX. 85 KM/H.

FUEL CONSUMPTION 25 L. X 100 KM. ON ROADS
35 L. X 100 KM. CROSS-COUNTRY

RADIUS OF ACTION 320 KM. ON ROADS 230 KM. CROSS-COUNTRY

FORDING DEPTH 500 MM.

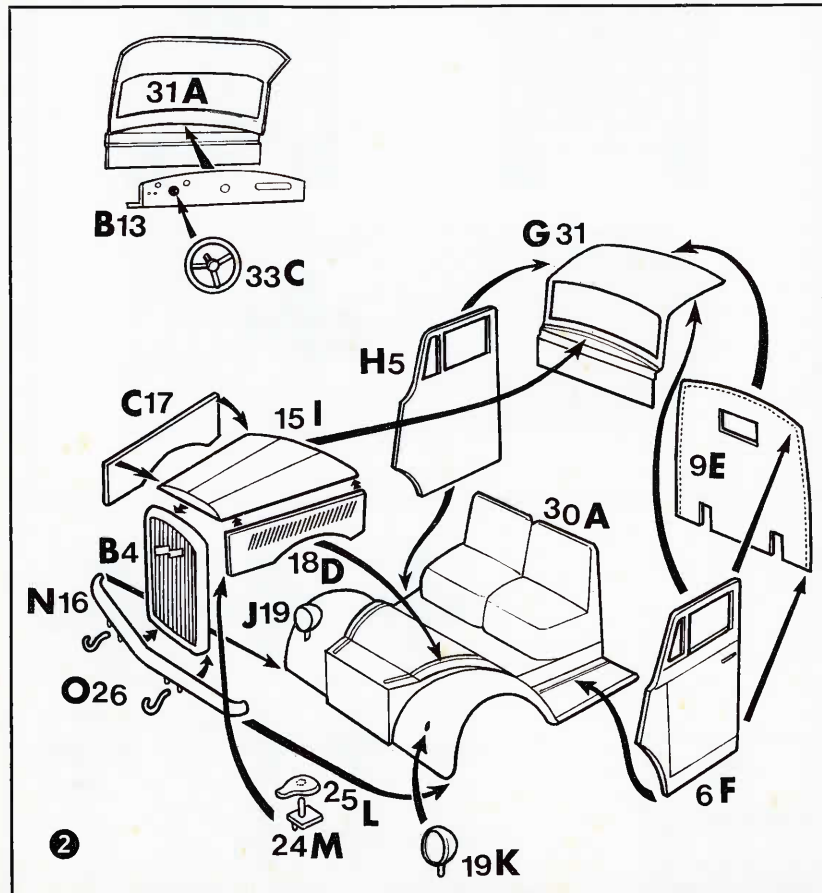
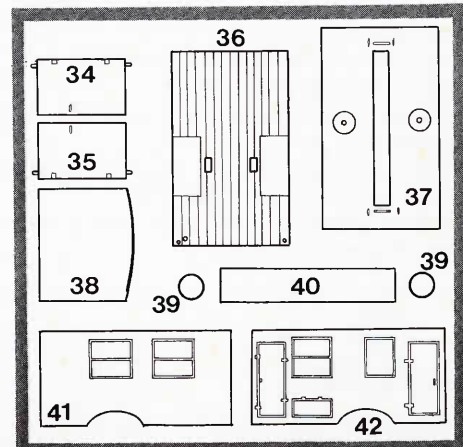
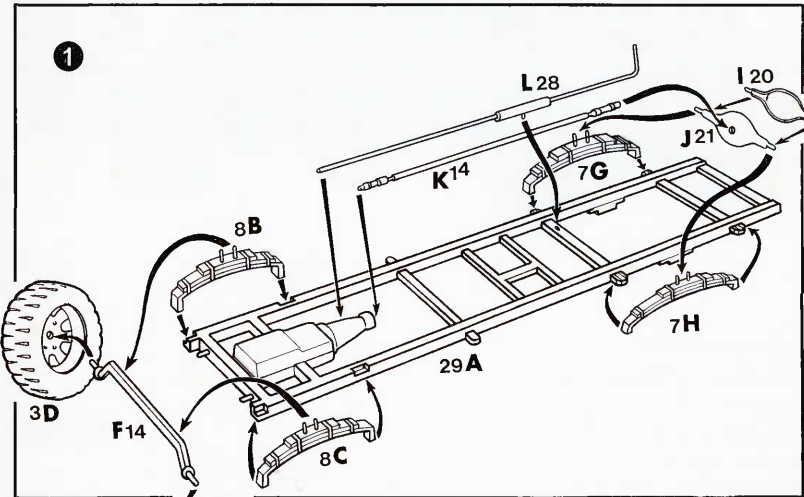
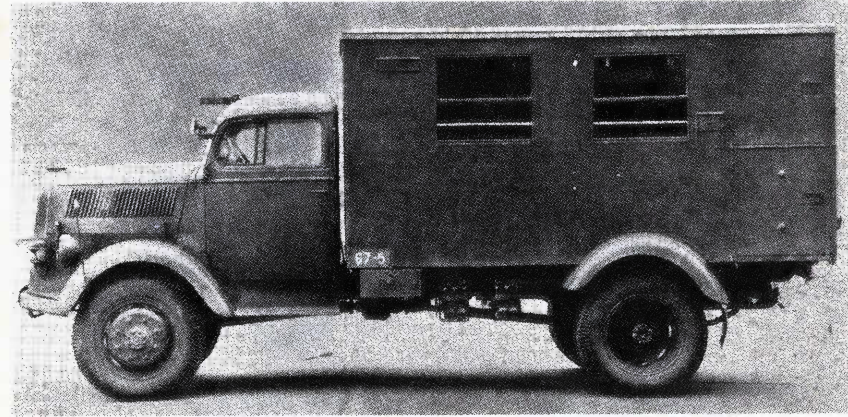
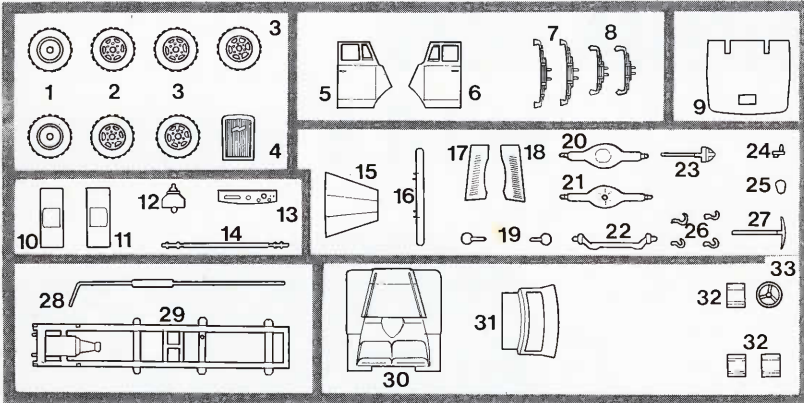
1/72 SCALE

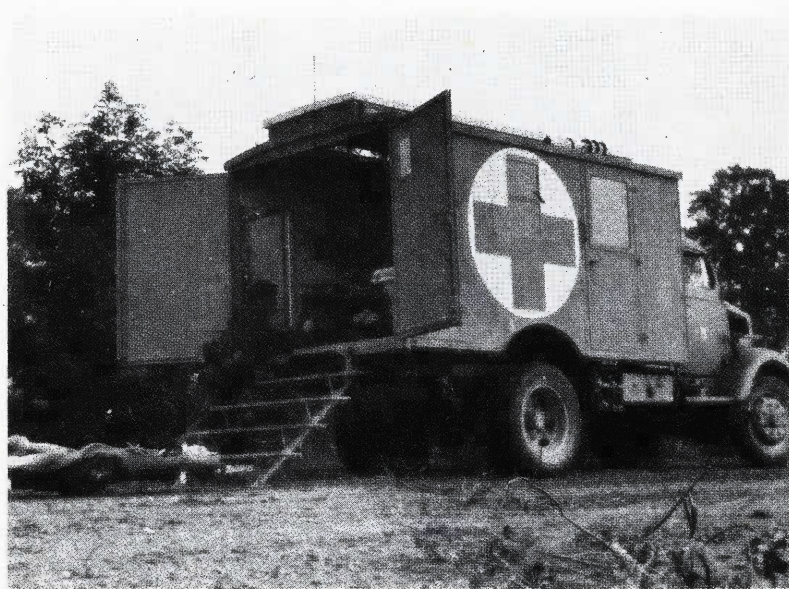
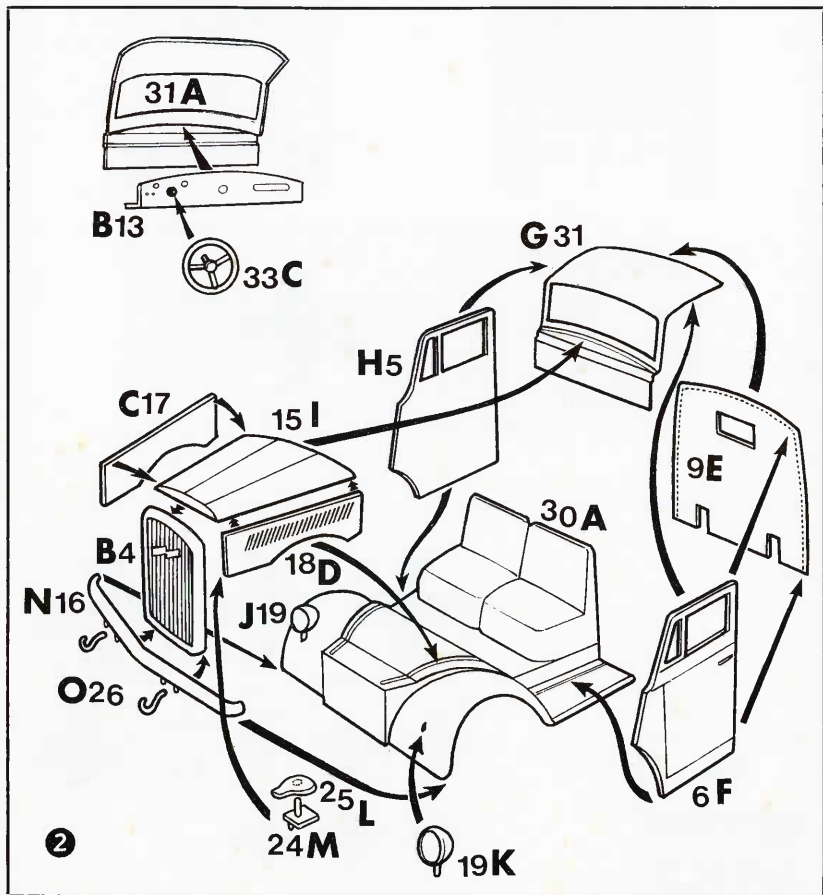
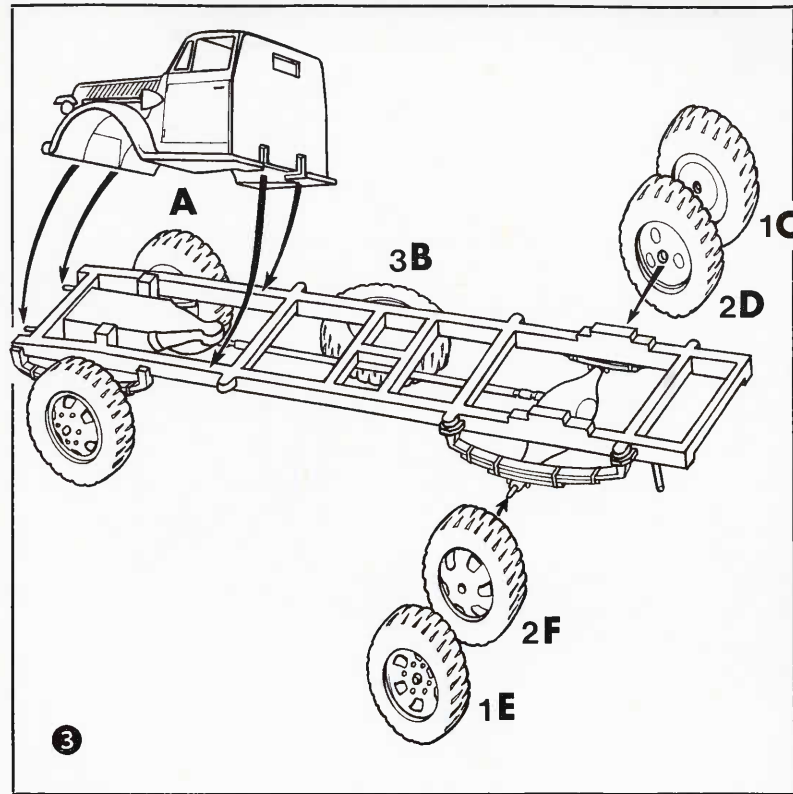
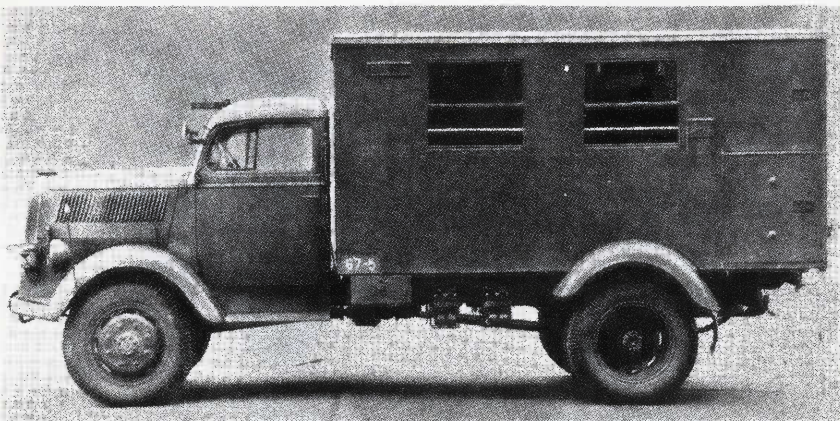
KIT 8035



PERFORMANCE

FIVE FORWARD SPEEDS AND REVERSE
REAR DRIVE DRY SINGLE-PLATE CLUTCH
TYP 3,6-36S FROM 1937/1944
TYP 3,6-6700A FROM 1940/1944
TYP 3,6-47 FROM 1939/1944
REAR DRIVE DRY SINGLE-PLATE CLUTCH





4

