

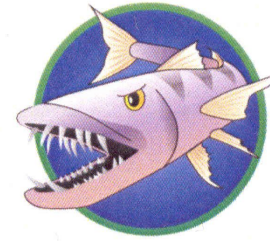
Instructions for applying decals like a master modeler.

1. Before applying the decals, make sure that the model is clean and dust free.
2. Apply a clear gloss coat, available from most hobby shops, to the model. Allow to dry overnight. Alternatively, Future floor wax, available at most grocery stores, can be sprayed or applied using a soft wide brush. It will dry overnight to a hard, clear gloss that will provide a good base for applying decals.
3. Cut out each individual marking as needed. Submerge the decal in warm water for 20 to 30 seconds.
4. Apply a decal wetting agent, such as MicroSet, to the area where the decal is to be applied.
5. Hold the backing paper using a pair of tweezers and slide the decal off the paper onto the model using a soft brush. Use a clean brush for this purpose.
6. Carefully remove the excess liquid from the decal, again this can be done with a brush or by blotting lightly with a lint free cloth. When the decal has started to settle down (15 minutes or so), apply a decal solvent (such as MicroSol) with a brush to help the decal conform to the surface details.
7. When the decals are completely dry (overnight), carefully clean off the excess decal adhesive with a moistened paper towel.
8. When dry, coat with a clear gloss and set aside for at least 12 hours. Inspect your work, making sure there is no silvering. Silvering is air trapped under the decal film that catches the light and looks silver from some angles. If this happens, prick the area with a tip or tip of a hobby knife and brush on some decal solvent which will help the decal settle down.
9. When dry, a final clear coat (flat, satin or gloss) can be applied. If done properly, your decals will look like they are painted on.

BARRACUDACALS
www.barracadacals.com

Come and explore the ever-growing Barracuda Studios product line at our website:
www.barracadacals.com

For comments and customer service, or even if you have ideas for future products,
drop us an email at: orders.barracadastudios@gmail.com

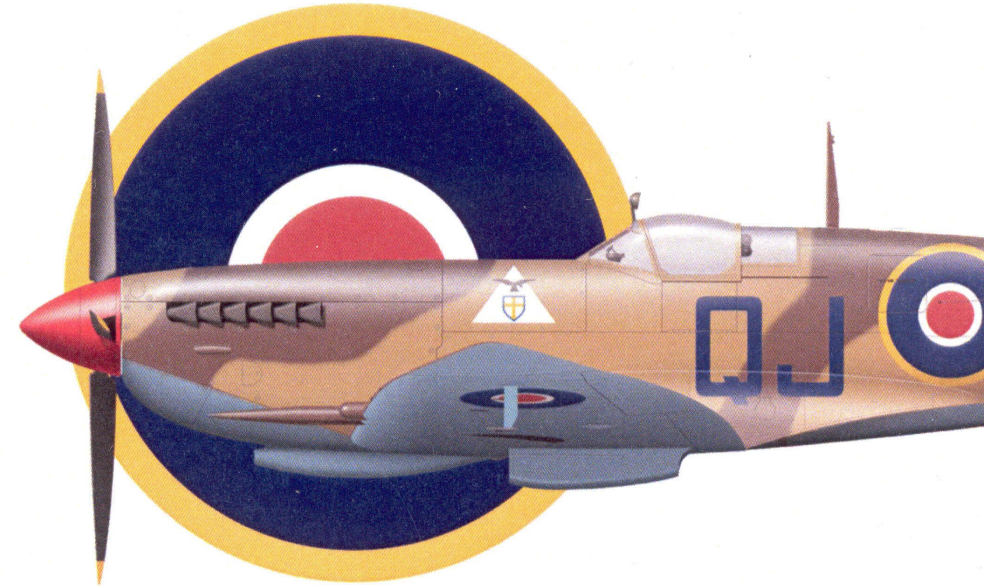


1/72 - BC72378



1/48 - BC48375

BARRACUDACALS



SPITFIRE LATE MARK AIRFRAME STENCILS

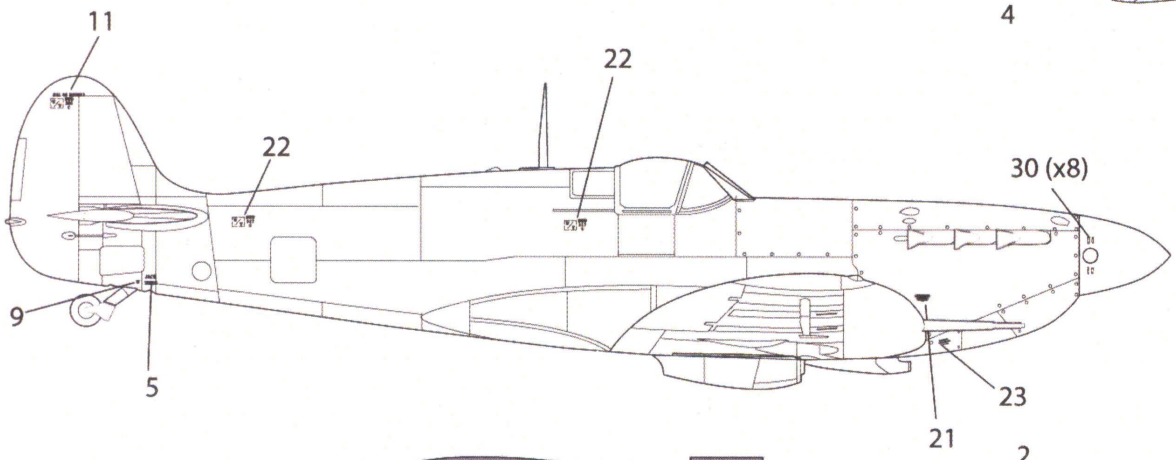
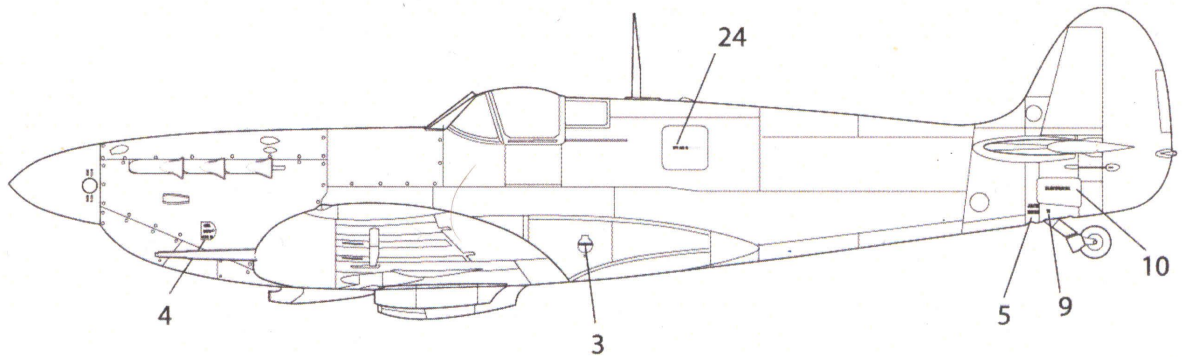
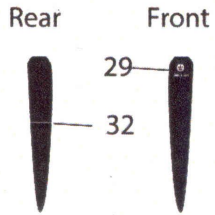
For Marks VII thru to 24, Seafire XV thru 47.

www.barracadacals.com

Suitable for all 1/72 and 1/48
kits of the marks listed above.



BARRACUDACALS



COCKPIT ACCESS FLAP (OPEN)

