

# MIG-29 A FULCRUM

The aviation world has been aware of the **MIG-29** since 1977 when it was spotted by a satellite orbiting above Ramenskoye, but it was not until 1986 that the western world had a better look at the Fulcrum. At that time, six **MIG-29**'s made a surprise visit to Finland, but photographers were kept at a distance, maintaining the veil of secrecy that surrounded this aircraft.

In 1988 two **MIG-29** aircraft appeared at the Farnborough Air Show, put on a spectacular flight demonstration and allowed the press to photograph almost to their total wishes - *not quite, but almost!* This is when the world learned that the **MIG-29** is an outstanding fighter, equal to anything produced in the western world, but for far less money.

When Glasnost opened the Soviet doors, the **MIG-29** variants were made available to the industry, press and opposing air force intelligence departments. Even the model industry was permitted to closely inspect and photograph the **MIG-29** near Moscow. Many goodwill flights have been made by the Russian and Ukraine teams to countries all over the world. Their outstanding flight characteristics have made the flight demo teams extremely popular with the hundreds of thousands of spectators who have seen one or more of the flight demonstrations.

The Minicraft/Academy 1/48th scale model of the **MIG-29** carries the colorful markings of the Ukraine Flight Demo Team.





Cement Parts  
Coller  
Kleben  
Pegar  
Incollare  
Colar  
Kleven



DO NOT cement  
Ne pas coller  
Nicht kleben  
No pegar  
Non incollare  
Nao colar  
Niet kleven



Cut away  
Couper  
Scheiden  
Cortar  
Tagliare  
Cortar  
Snijden



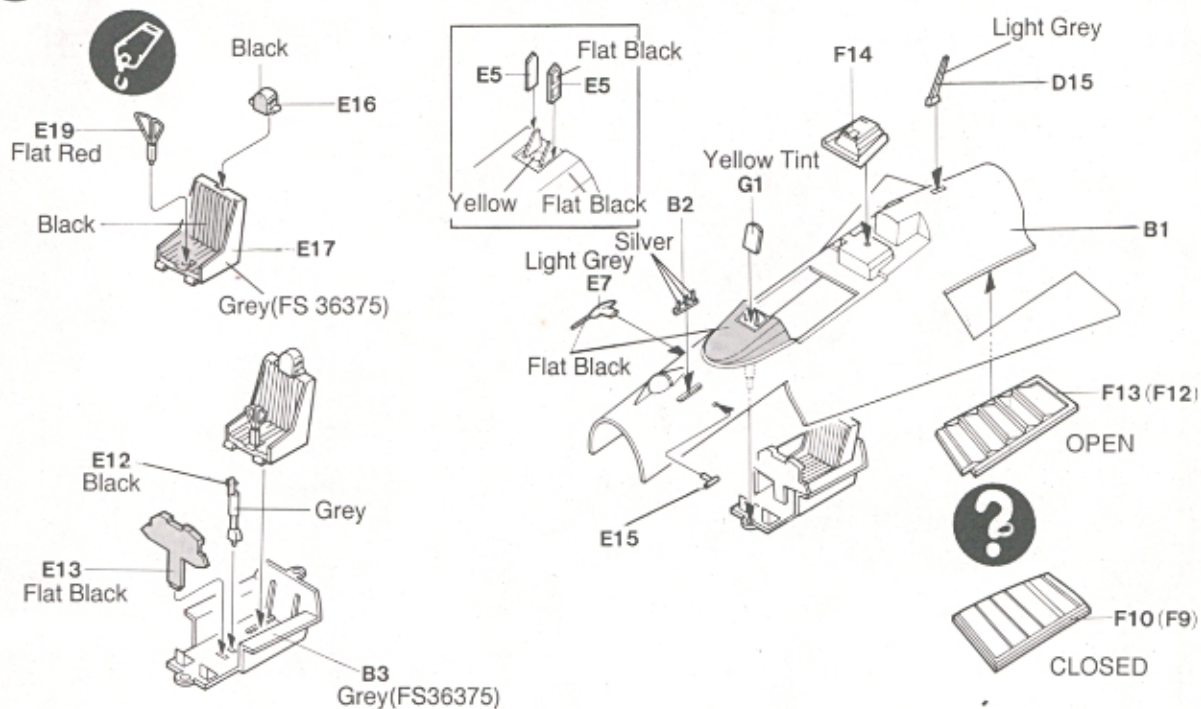
Optional parts  
Choix  
Auswahlmöglichkeit  
Eleccion  
Scelta  
Opcao  
Keuze



**3**

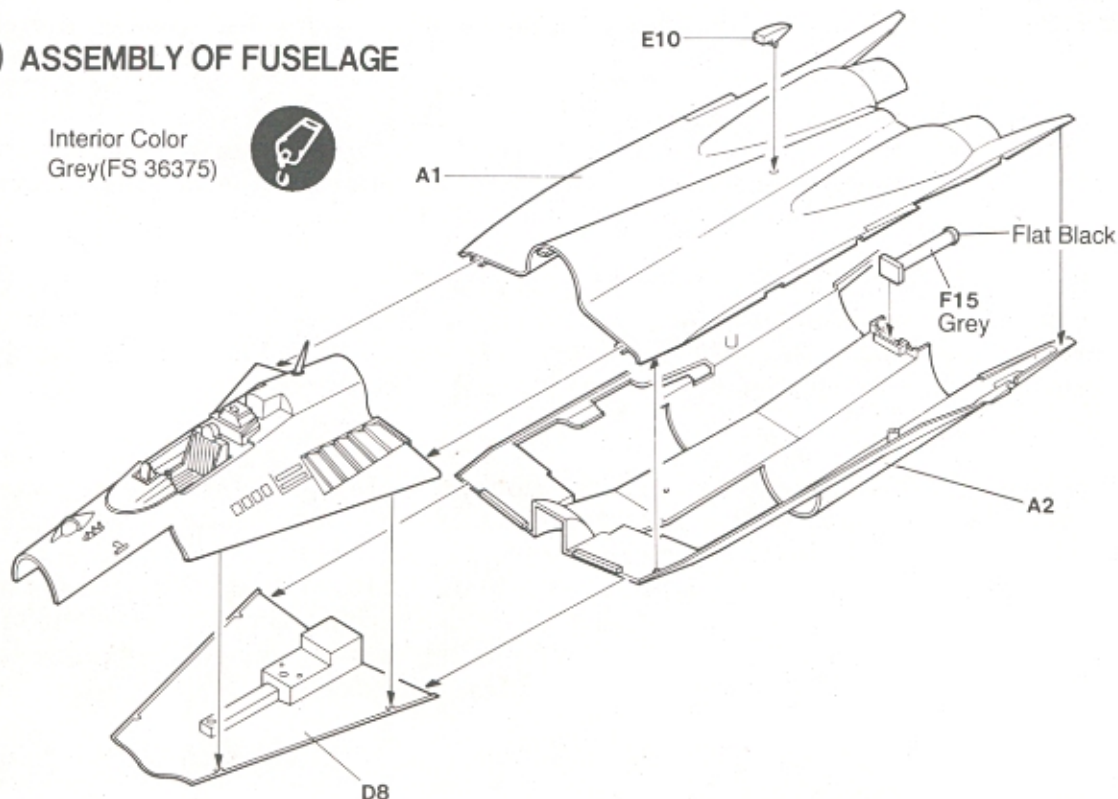
Repeat operation  
Répéter l'opération  
Vorgang wiederholen  
Repitir la operacion  
Ripetere  
Repitir a operação  
Herhalen

# 1 ASSEMBLY OF COCKPIT AND FUSELAGE FRONT

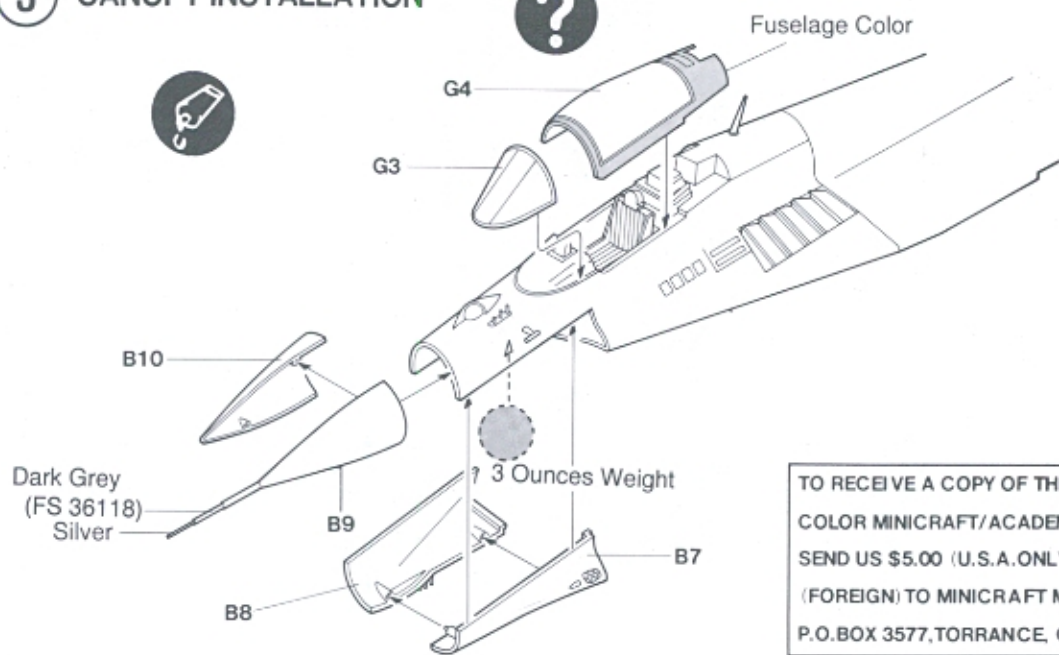


# 2 ASSEMBLY OF FUSELAGE

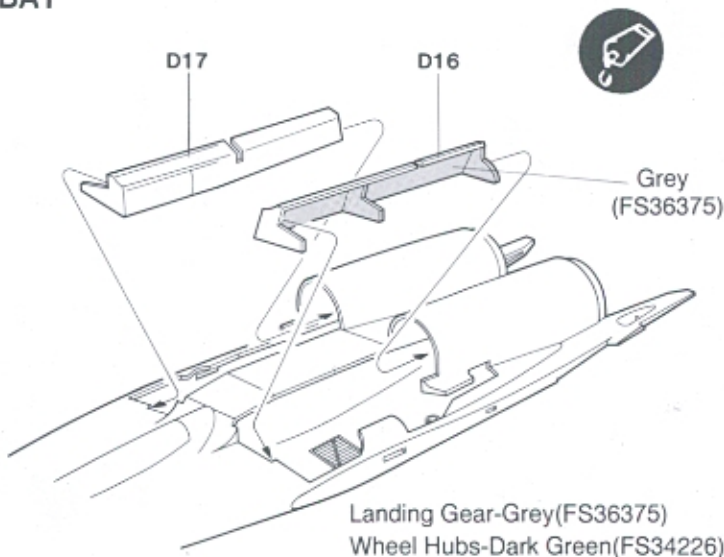
Interior Color  
Grey (FS 36375)



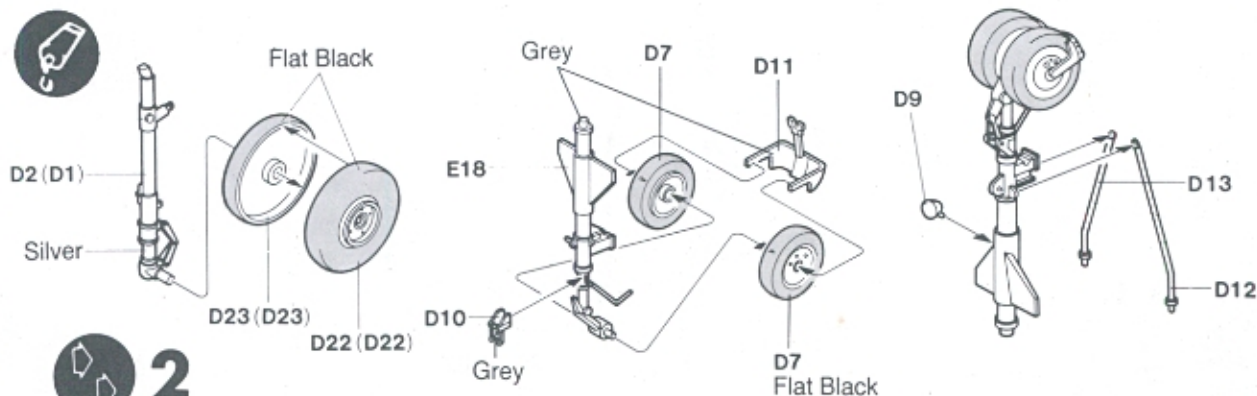
### 3 CANOPY INSTALLATION



### 4 ASSEMBLY OF LANDING GEAR BAY

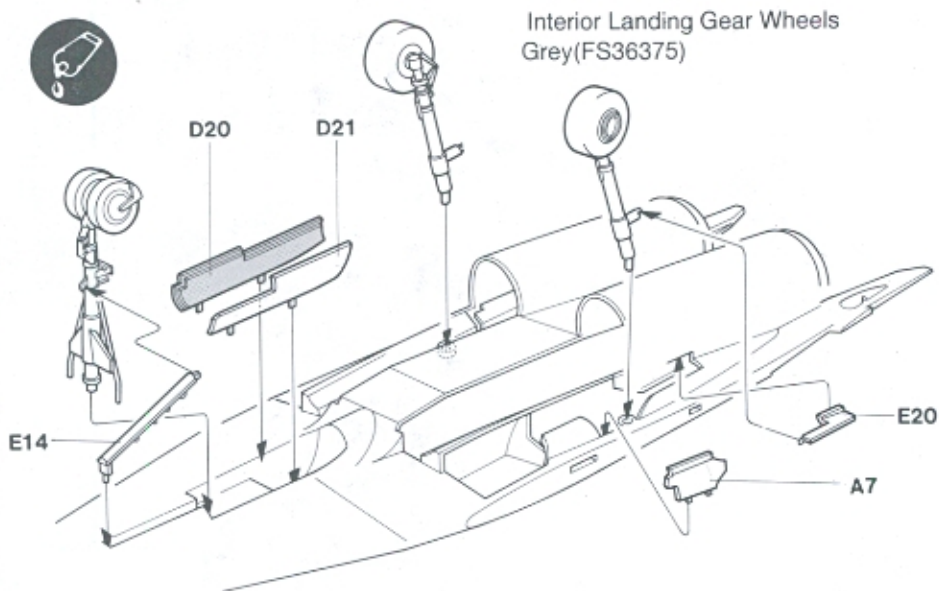
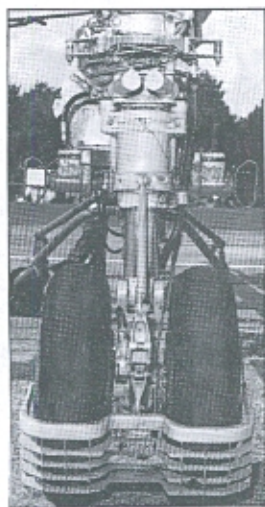


### 5 ASSEMBLY OF LANDING GEAR I

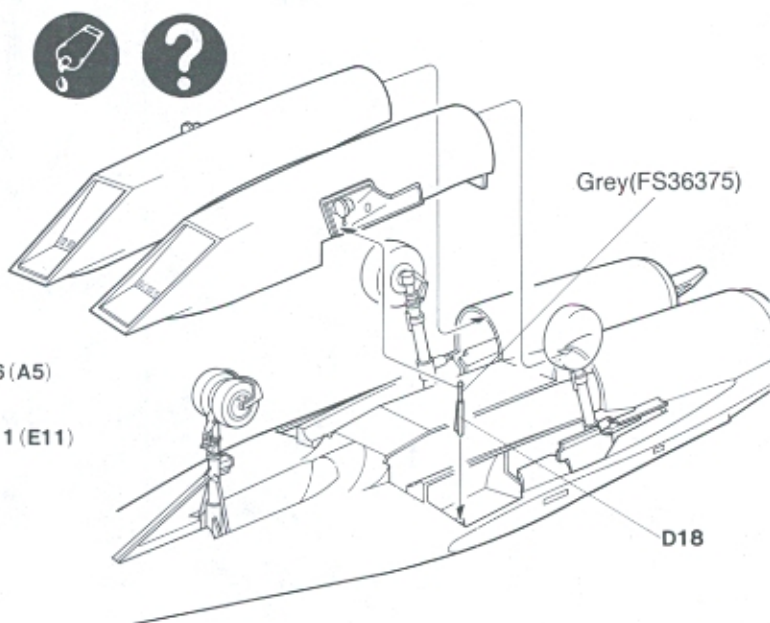
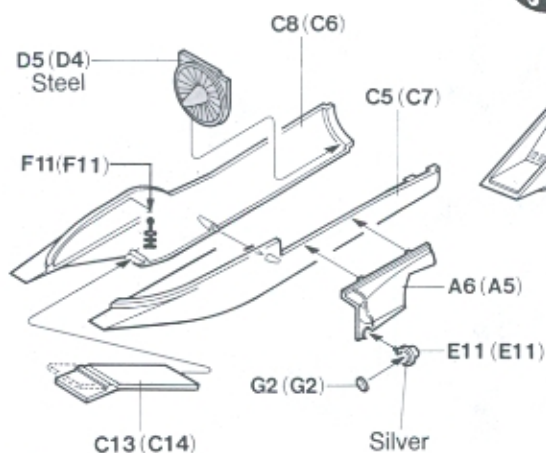




## 6 ASSEMBLY OF LANDING GEAR II

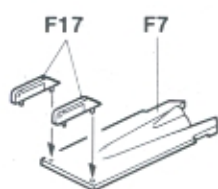


## 7 ASSEMBLY OF AIR INTAKE



**?** Bend carefully

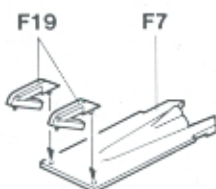
## 8 ASSEMBLY OF AIR BREAK



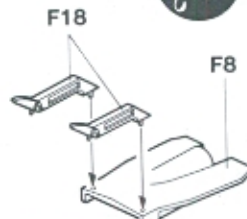
Closed Position

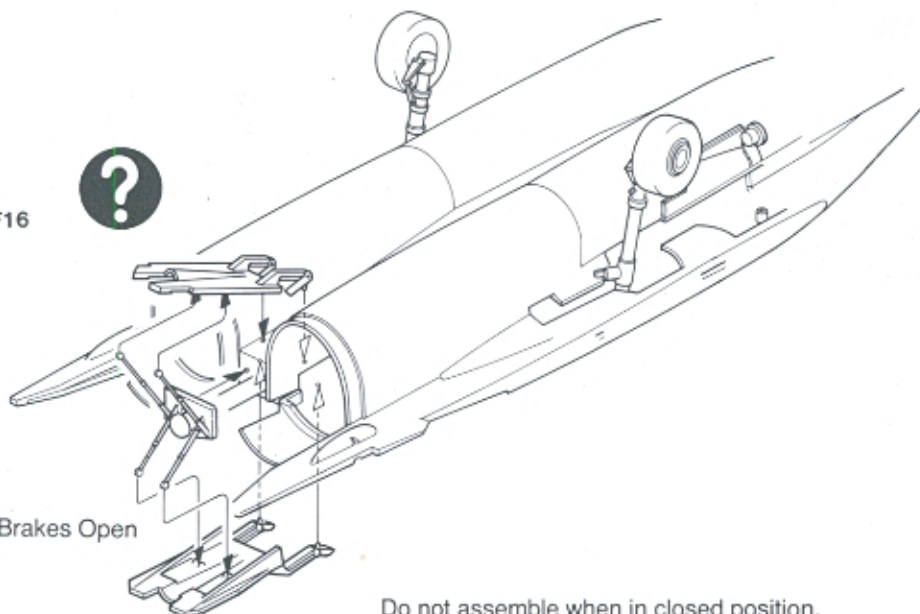
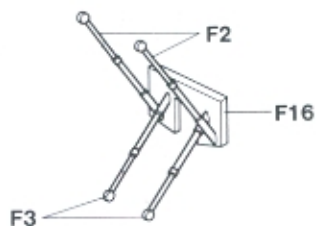


**?**



Open Position

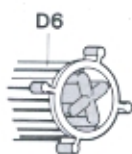




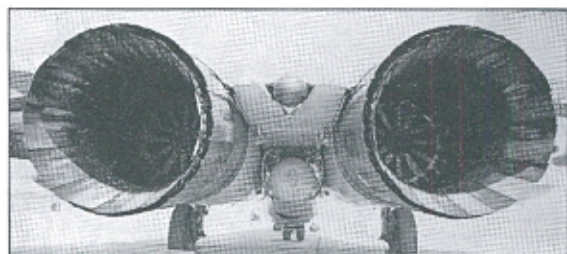
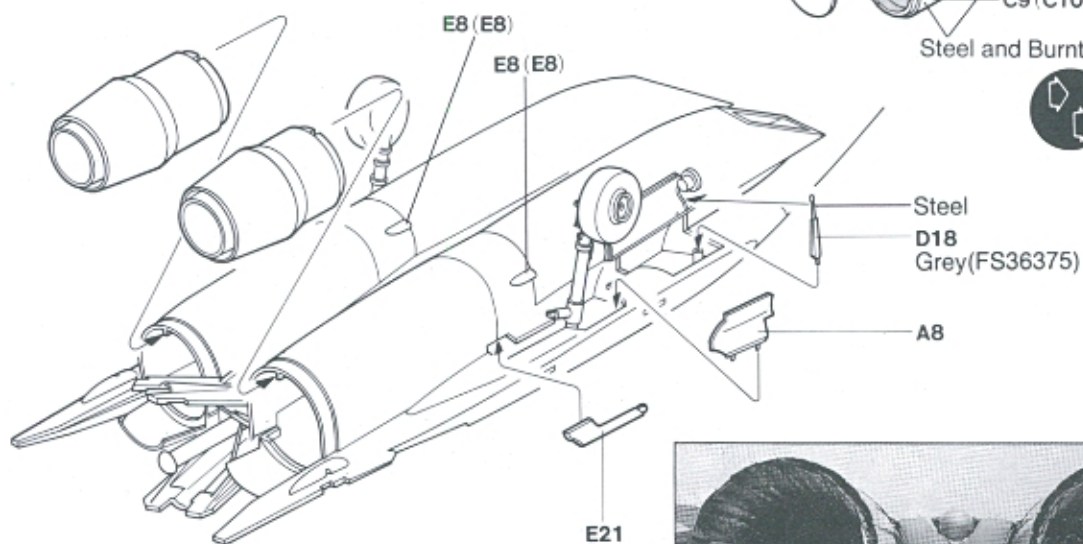
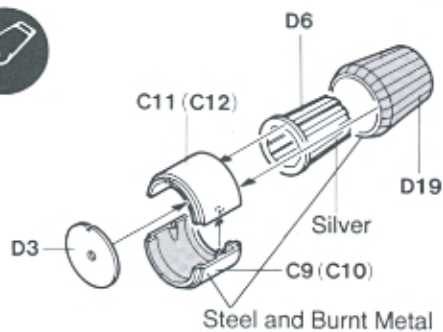
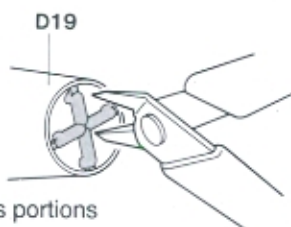
Interior Dive Brakes Open  
(FS36375)

Do not assemble when in closed position.

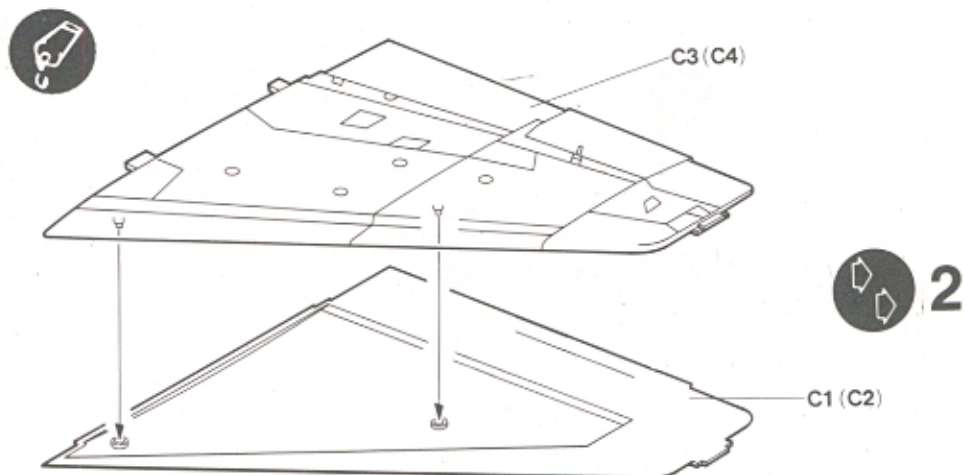
## 9 ASSEMBLY OF EXHAUST CONE



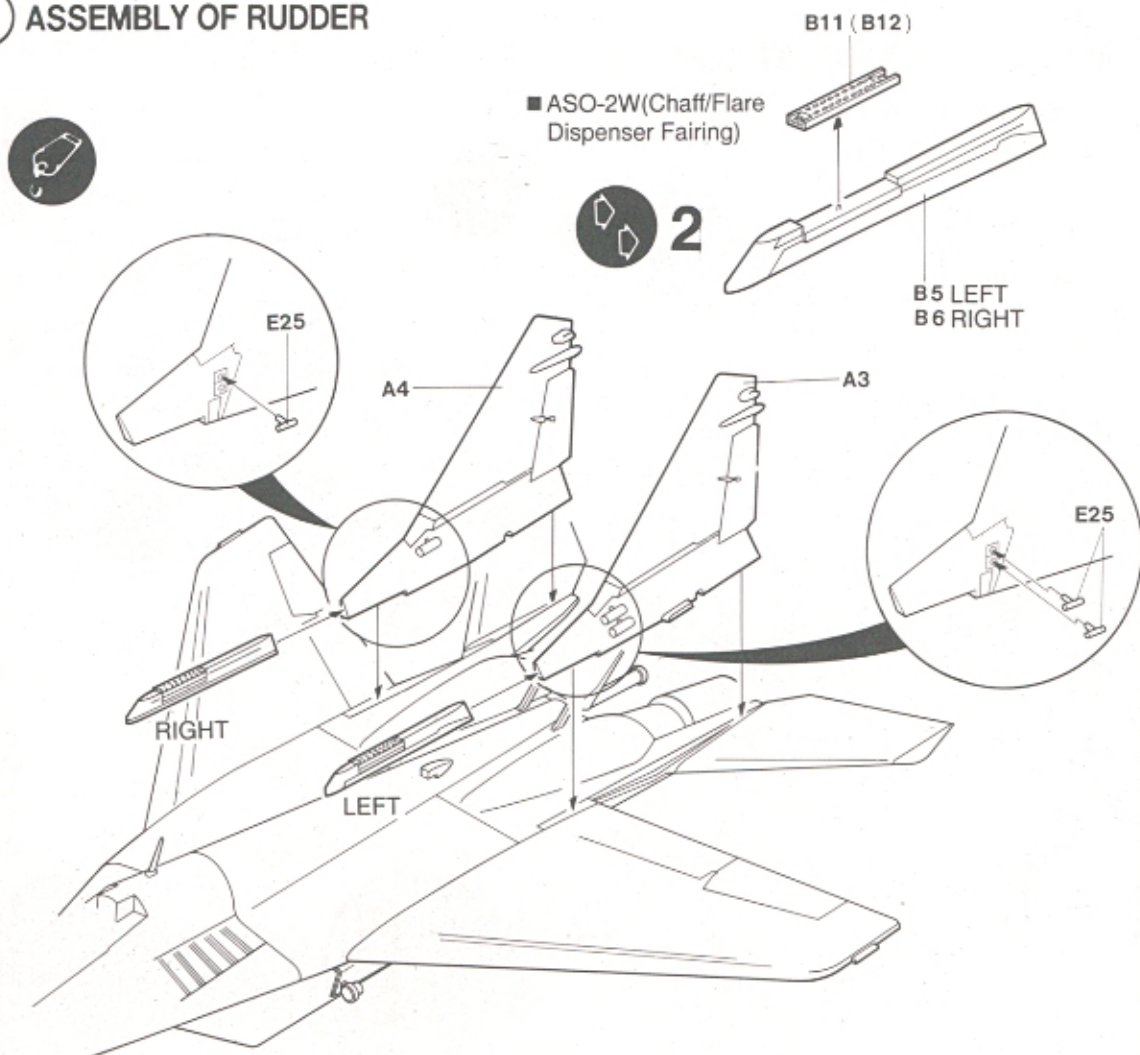
Remove the useless portions



## 10 ASSEMBLY OF WING



## 11 ASSEMBLY OF RUDDER

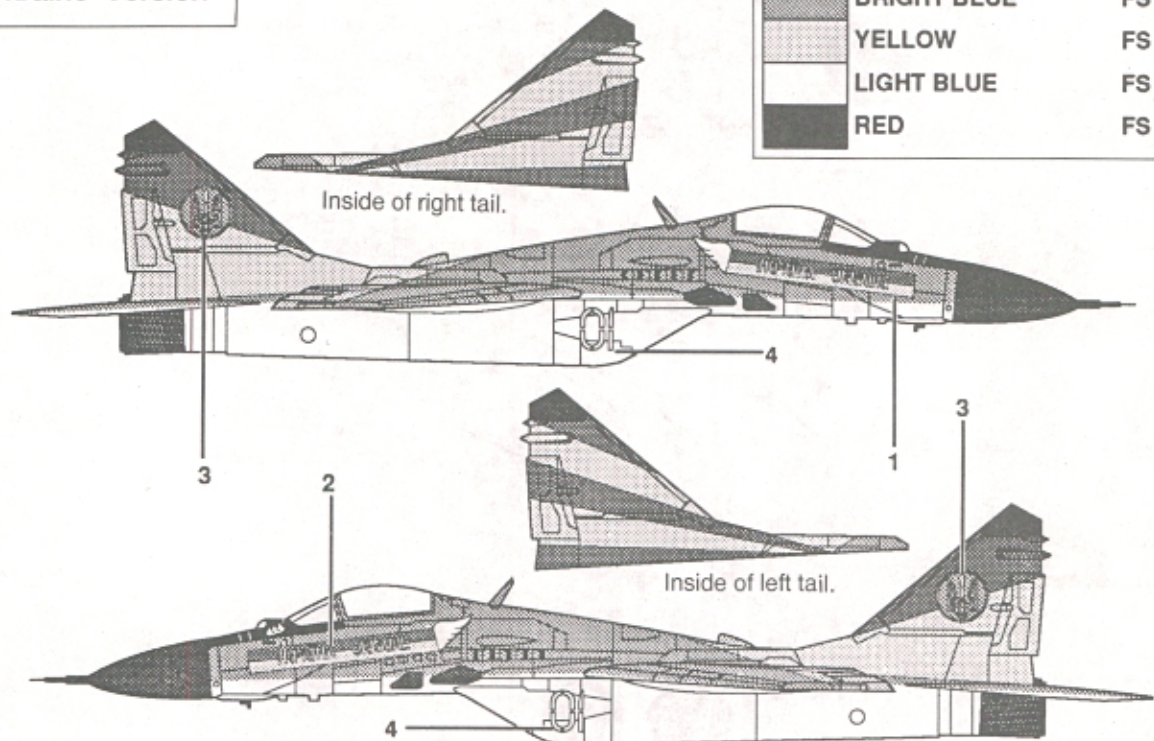




# MIG 29A Fulcrum Decal and Painting Instructions

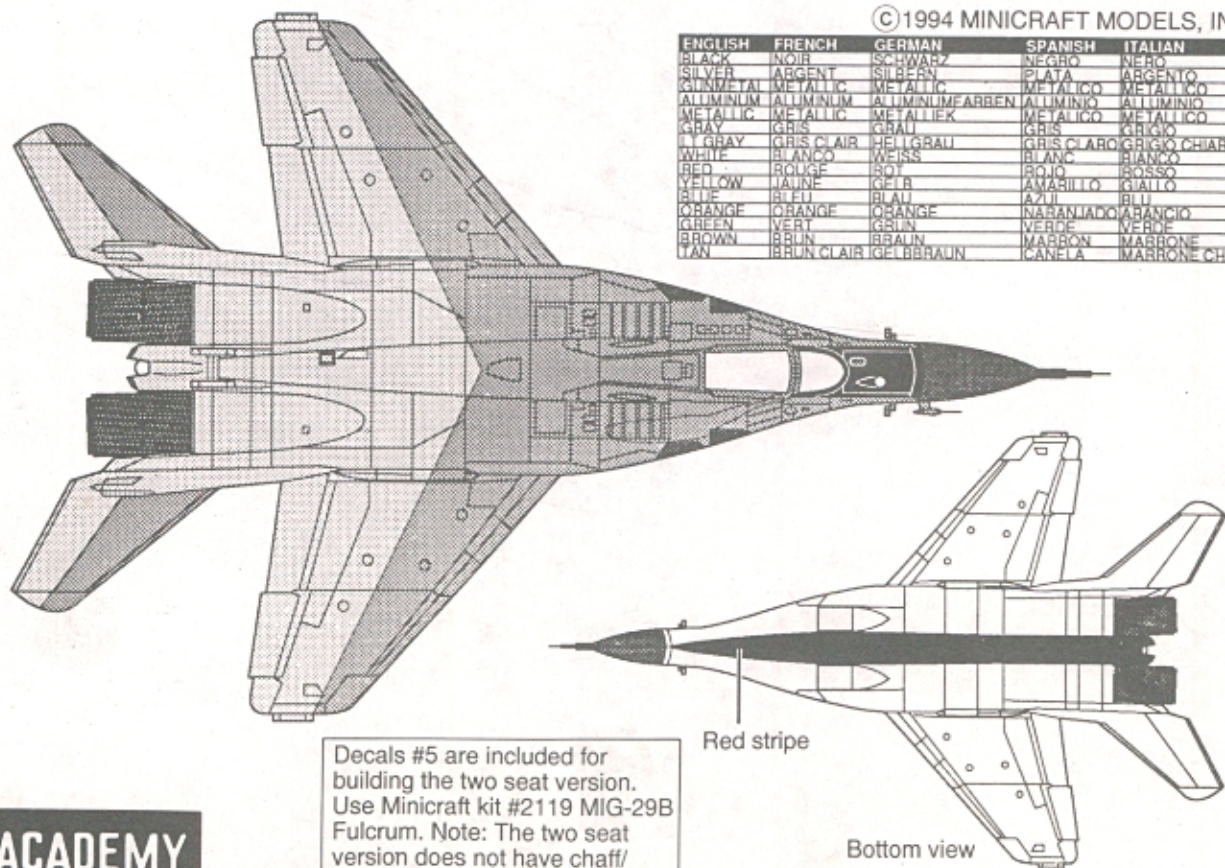
## Ukraine Version

	GUNSHIP GRAY	FS 36118
	DARK BLUE	FS 15102
	BRIGHT BLUE	FS 15187
	YELLOW	FS 13655
	LIGHT BLUE	FS 15450
	RED	FS 11105



©1994 MINICRAFT MODELS, INC.

ENGLISH	FRENCH	GERMAN	SPANISH	ITALIAN
BLACK	NOIR	SCHWARZ	NEGRO	NERO
SILVER	ARGENT	SILBERN	PLATA	ARGENTO
GUNMETAL	METALLIC	METALLIC	METALICO	METALLICO
ALUMINUM	ALUMINUM	ALUMINIUMFARBEN	ALUMINIO	ALLUMINIO
METALLIC	METALLIC	METALLIK	METALICO	METALLICO
GRAY	GRIS	GRAU	GRIS	GRIGIO
LT GRAY	GRIS CLAIR	HELLGRAU	GRIS CLARO	GRIGIO CHIARO
WHITE	BLANCO	WEISS	BLANC	BIANCO
RED	ROUGE	ROT	ROJO	ROSSO
YELLOW	JAUNE	GELB	AMARILLO	GIALLO
BLUE	BLEU	BLAU	AZUL	BLU
ORANGE	ORANGE	ORANGE	NARANJADO	ARANCIO
GREEN	VERT	GRUN	VERDE	VERDE
BROWN	BRUN	BRUN	MARRON	MARRONE
TAN	BRUN CLAIR	GELBBRAUN	CANELA	MARRONE CHIARO



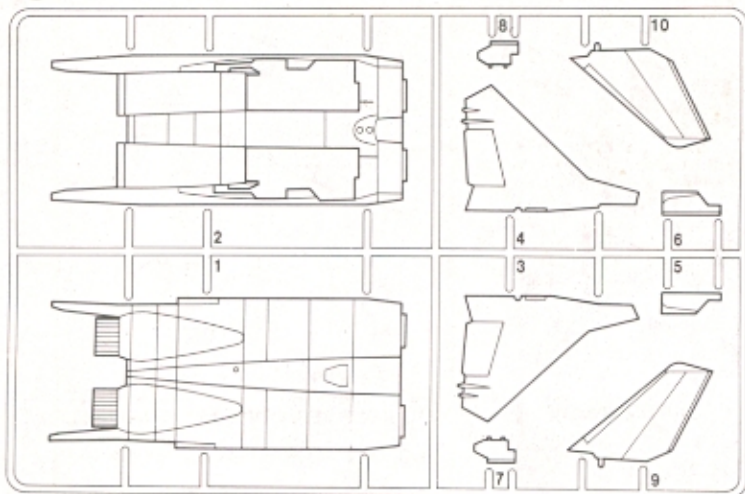
Decals #5 are included for building the two seat version. Use Minicraft kit #2119 MIG-29B Fulcrum. Note: The two seat version does not have chaff/flare dispenser extensions at the base of the tails, paint and other decals are the same.

**ACADEMY**  
**MINICRAFT**

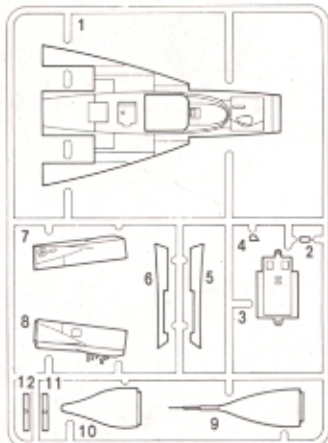


# PARTS LOCATOR

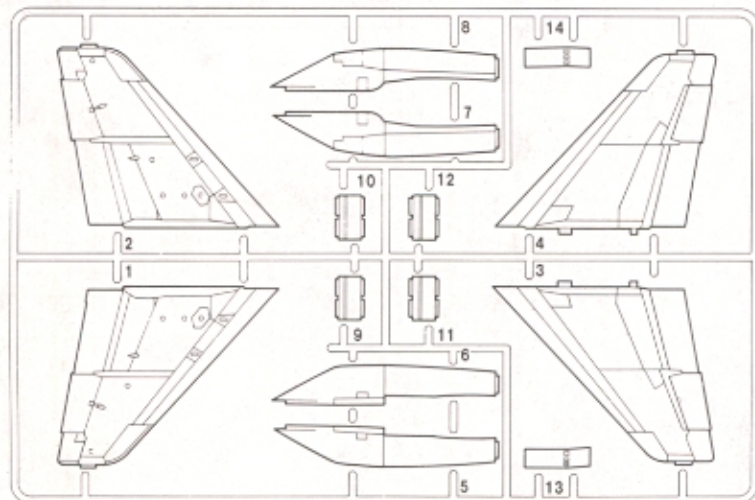
**A**



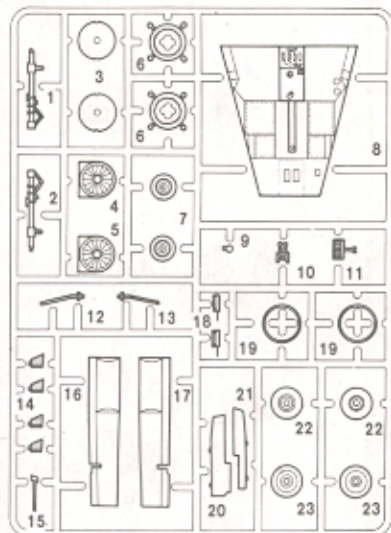
**B**



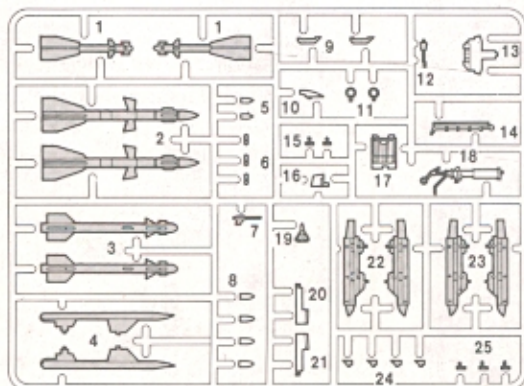
**C**



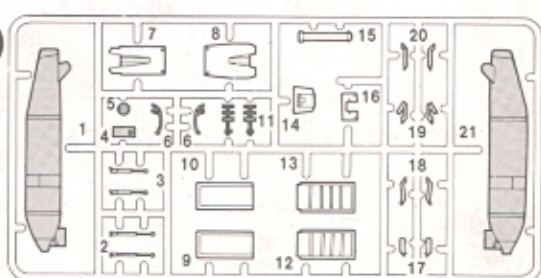
**D**



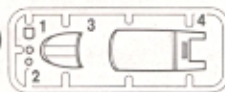
**E**



**F**



**G**



Unnecessary parts

D:14

E:1,2,3,4,6,9,15(1EA),22,23,24

F:1,4,5,6,21

2128

**ACADEMY  
MINICRAFT**

MINICRAFT MODELS, INC.

• 1510 WEST 228 TH ST. P.O. BOX 3577, TORRANCE, CALIFORNIA 90510 U.S.A.  
• TEL: (213) 775-8836/7 • FAX: (310) 539-2018 • CABLE: CALAMTINT