



IDF Merkava Mk IV

メルカバ Mk.IV

以色列“梅卡瓦”4型主战坦克

PLEASE READ BEFORE OPERATION!

- * Tools recommended as below: (Not included)
Adhesives; Paints; Side Cutters; Sharp Edged Pliers; Modeling Knife; Modeling File; Nippers; Drill; Scissors; Sand Paper; Soft Cloth; Cyanoacrylate Glue.
- * Make sure to read this instruction listed below before assembling.
- * The kit contains the small parts, they can be dangerous if swallowed by mistake, so keep them away from reach of children.
- * Cut the all parts off carefully and remove the waste parts into the garbage can.
- * More caution and care should be needed for cutting and handling the photo etched parts.
- * Make attention that some parts should be attached the decal when assembled.
- * During assembling, please tear up and throw away the plastic bags, or may cause the dangerous if wearing over head by children's mistake.
- * When using the adhesives and paints, please do not use them in the closed room or near the fire, also must be very careful to protect your eyes, face and clothes.
- * Adult supervised when assembled by children under 14 years old.

装配前请仔细阅读:

- * 推荐使用的模型工具(请自备):
专用模型胶水, 专用模型油漆, 水口剪刀, 长咀钳, 刀片, 锉刀, 镊子钳, 钻, 剪刀, 软布, 砂纸, 瞬间快干胶等。
- * 用水口剪刀或刀片小心切下所有塑胶零件和蚀刻片零件, 不要遗失小零件。
- * 切取蚀刻片时应特别注意防止利边划伤手指。
- * 用模型锉刀小心锉平所有零件表面的注射浇口。
- * 用适量的强力快干胶水粘合蚀刻片零件和金属轴, 切忌过量, 否则可能导致可动零件被粘住。
- * 注意某些零件表面需在装配时同步贴水上贴纸。
- * 制作时应远离幼儿并将包装袋及时收妥, 谨防小孩玩耍而引起意外。



cyanoacrylate glue
强力胶



weight
配重



make hole
钻孔



cut / remove
切除



option
选择



no cement
不涂胶水



decal
贴纸



bend
弯曲



repair
填补

The method to apply the decals

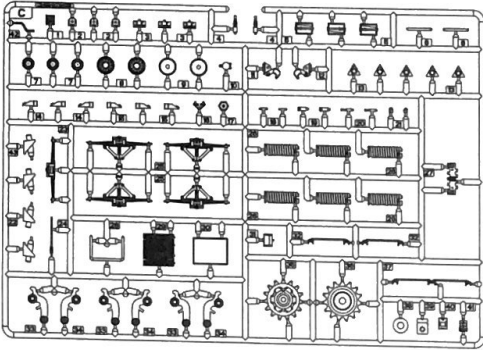
1. Cut off the decal from the decal paper and put it into the warm water 40°C for 10 seconds.
2. Take the decal from the water and put it on a piece of clean cloth.
3. Remove the decal slowly from the paper to the targeted location by a wet finger.
4. Use a piece of dry and soft cloth to press it gently on the decal until it getting dry and no bubble existing.

水贴纸的使用方法:

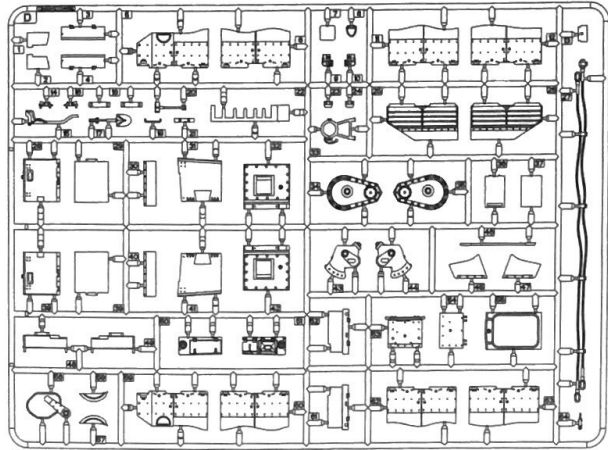
- 一. 把相关的印花从水贴上剪下, 放入40°C左右的温水中浸10秒。
- 二. 然后将印花放在干净的布上。
- 三. 拿上印花纸板, 手指蘸水将印花移到适当的位置。
- 四. 用软干布轻压印花直至水干, 气泡消失。

部品图
Parts

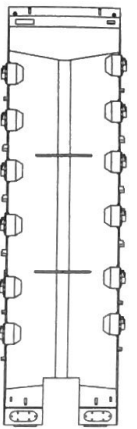
Cx2



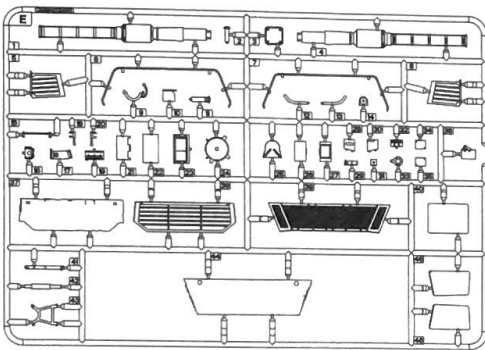
D



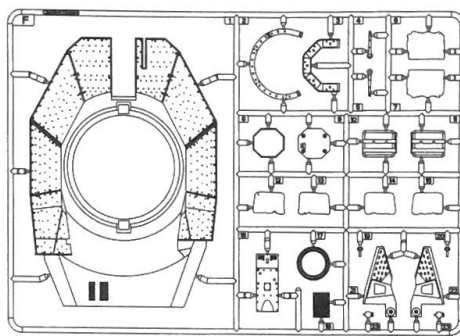
车底
Lower hull



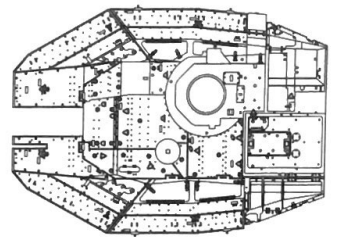
E



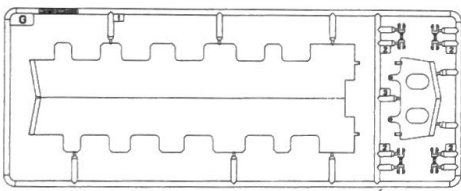
F



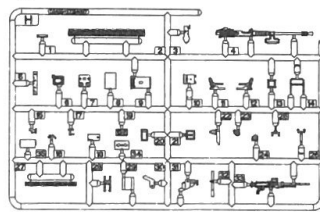
炮塔
Turret



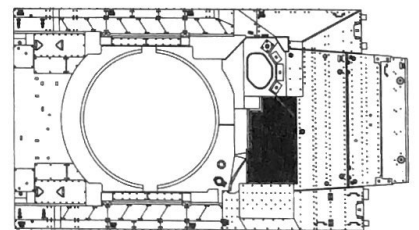
G



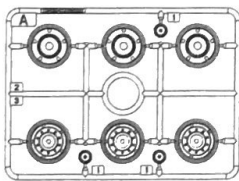
H



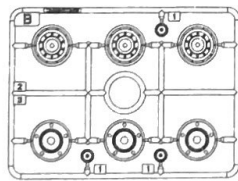
车面
Upper hull



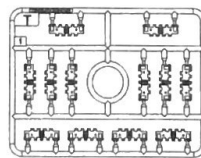
Ax2



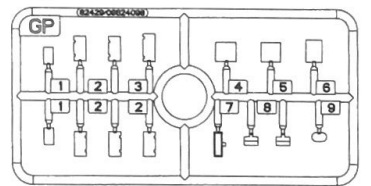
Bx2



Tx18



GP



诱导轮x2
Idler wheel



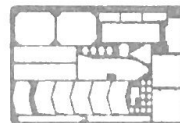
Lx6



聚乙烯套
Poly cap



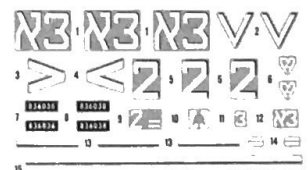
蚀刻片-A
Photo etched



蚀刻片-B
Photo etched



水贴
Decal



链条 $\varnothing 0.30\text{mm} \times 300\text{mm}$
Chain



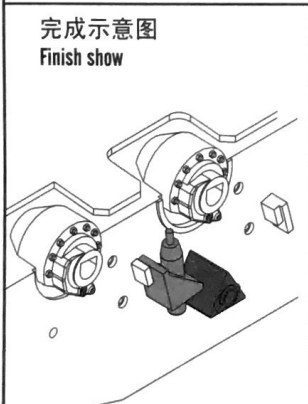
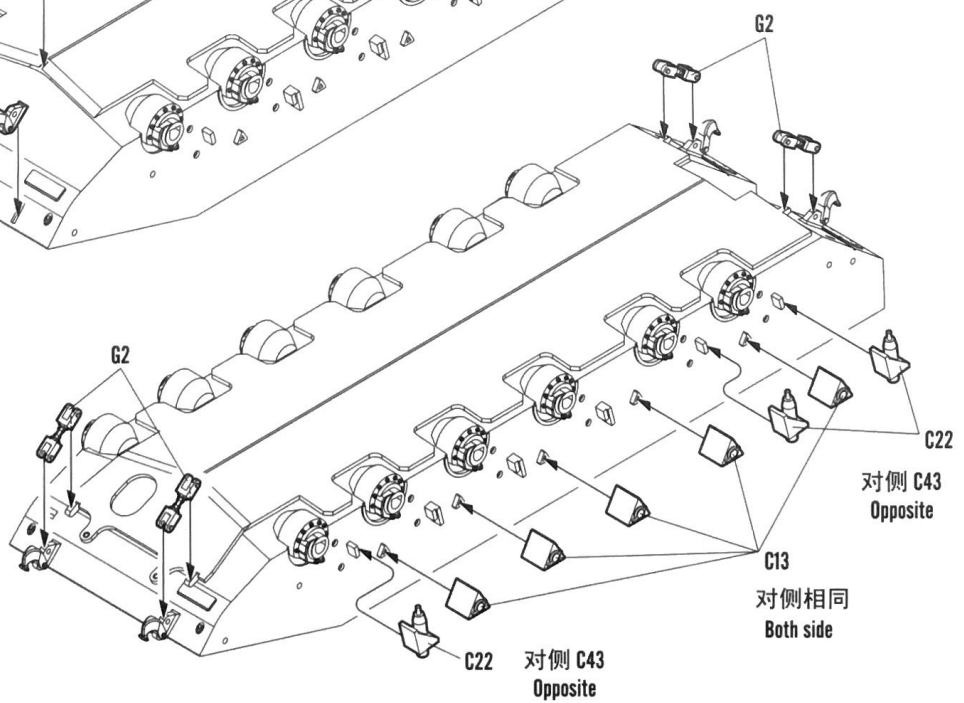
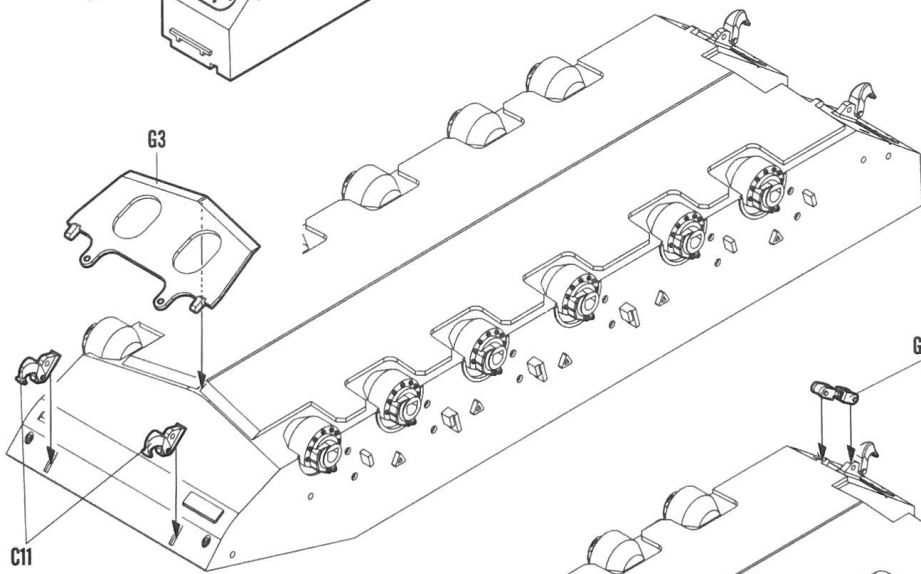
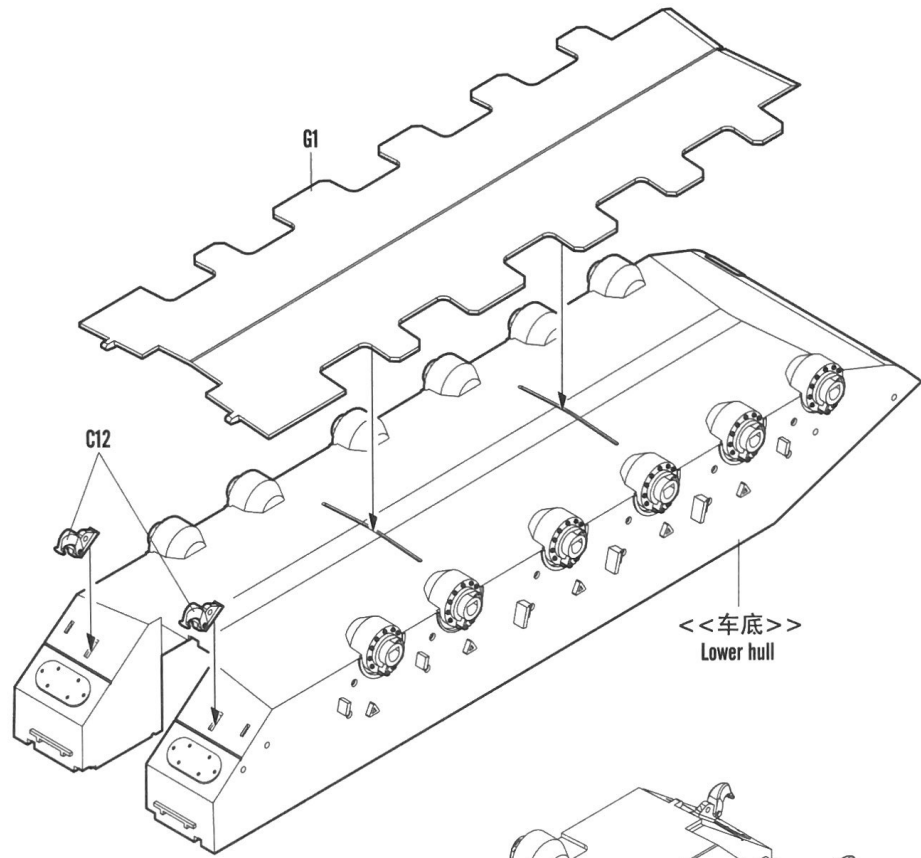
链珠 X 80
Chain bead



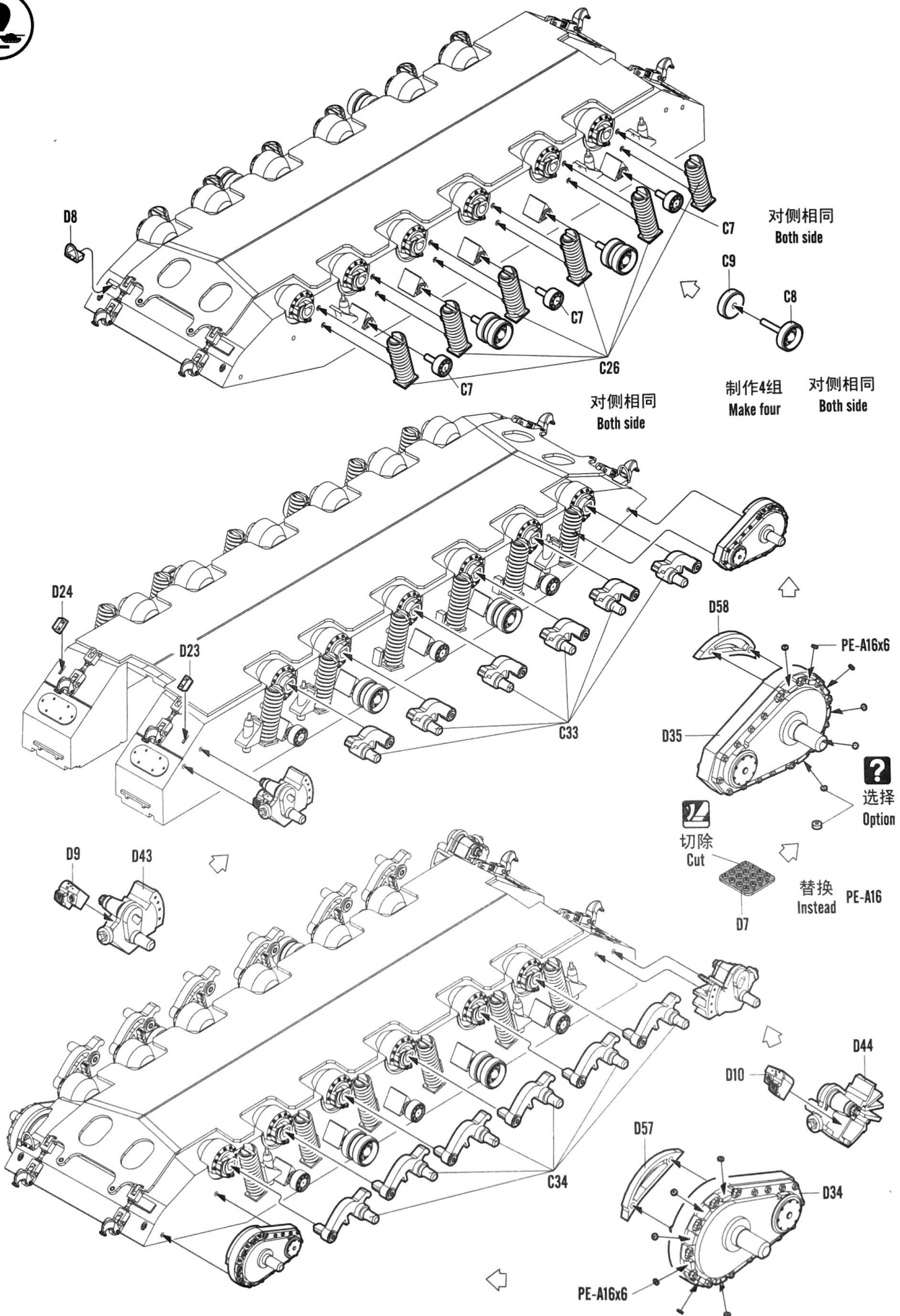
不用部件: H34 H35
Unused parts

1/35 Scale IDF Merkava Mk IV HobbyBoss NO.82429

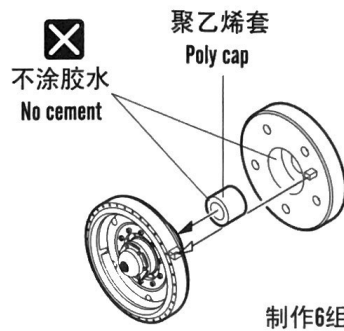
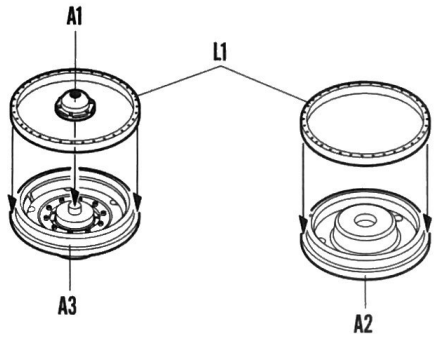
1
STEP



2
STEP

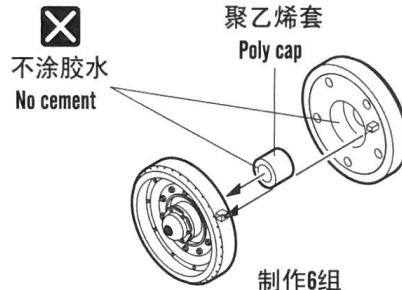
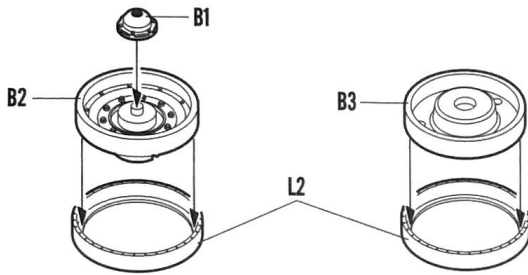


3
STEP



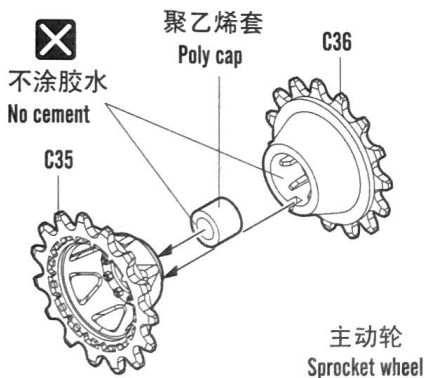
制作6组
Make six

负重轮 I
Road wheel I



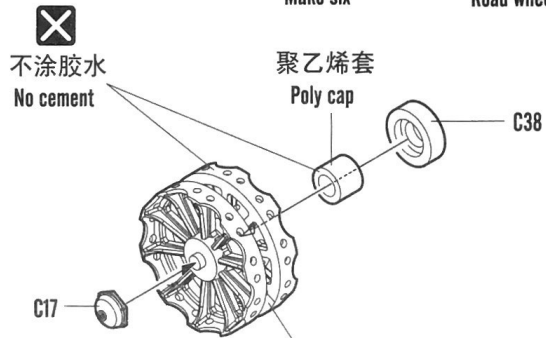
制作6组
Make six

负重轮 II
Road wheel II



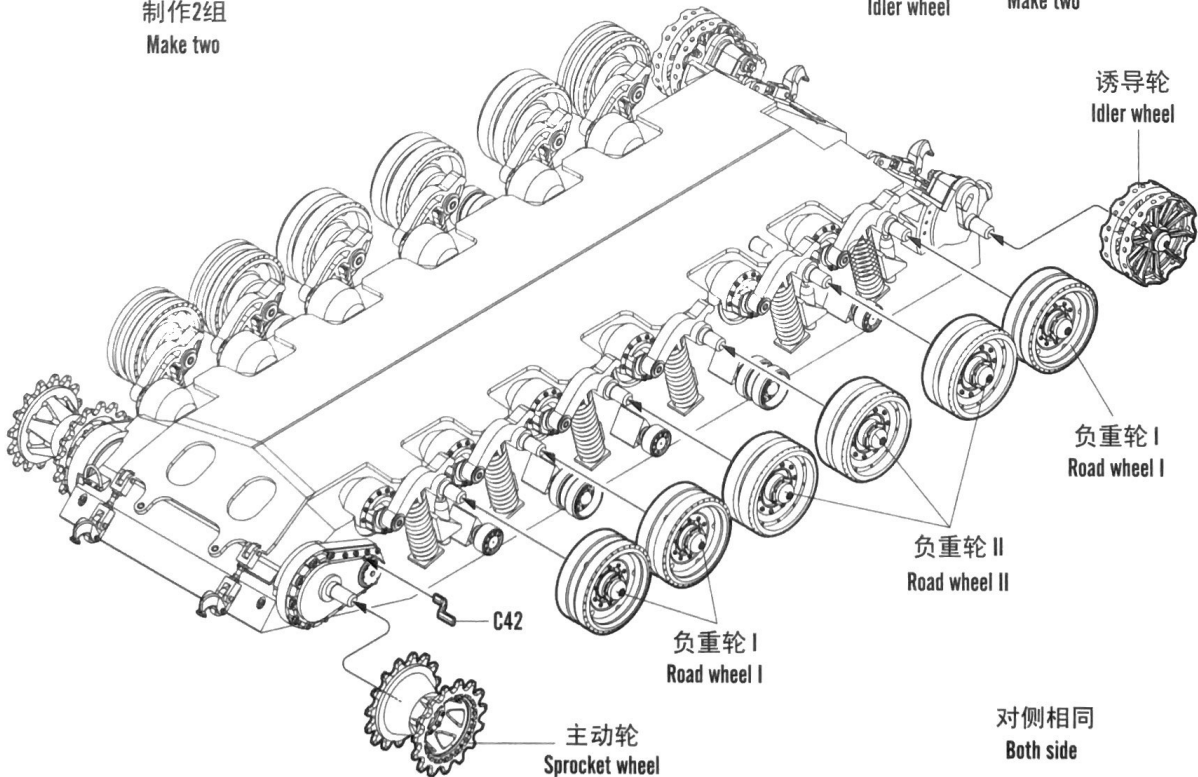
制作2组
Make two

主动轮
Sprocket wheel



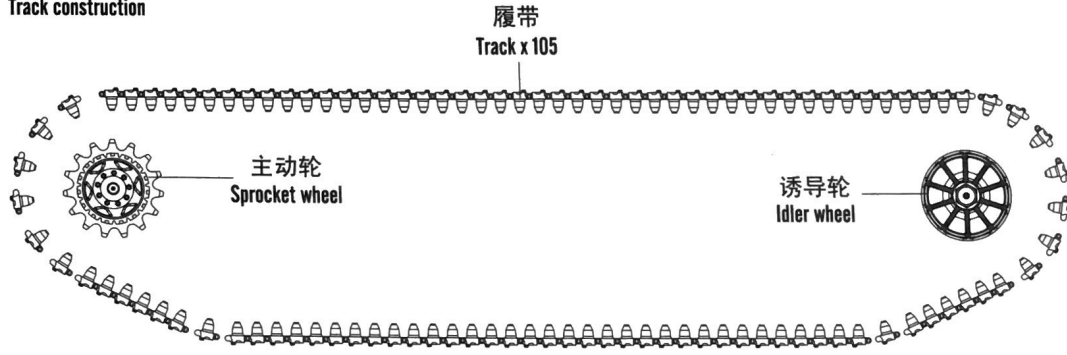
制作2组
Make two

诱导轮
Idler wheel

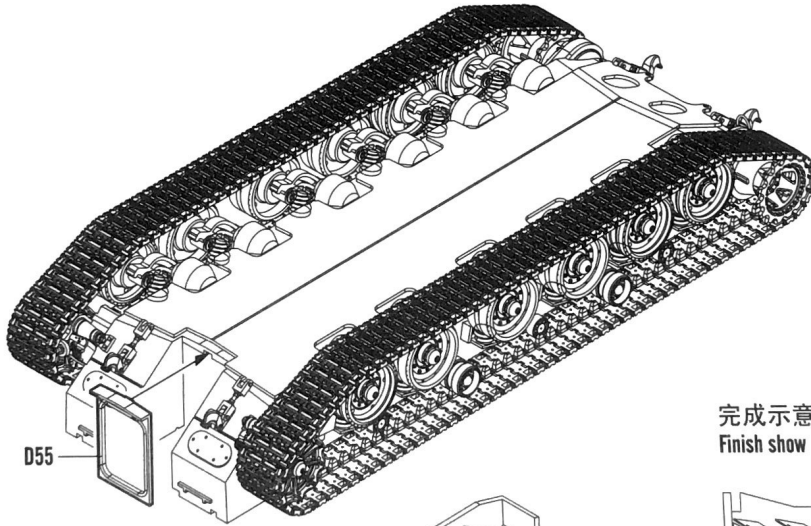




履带联接
Track construction

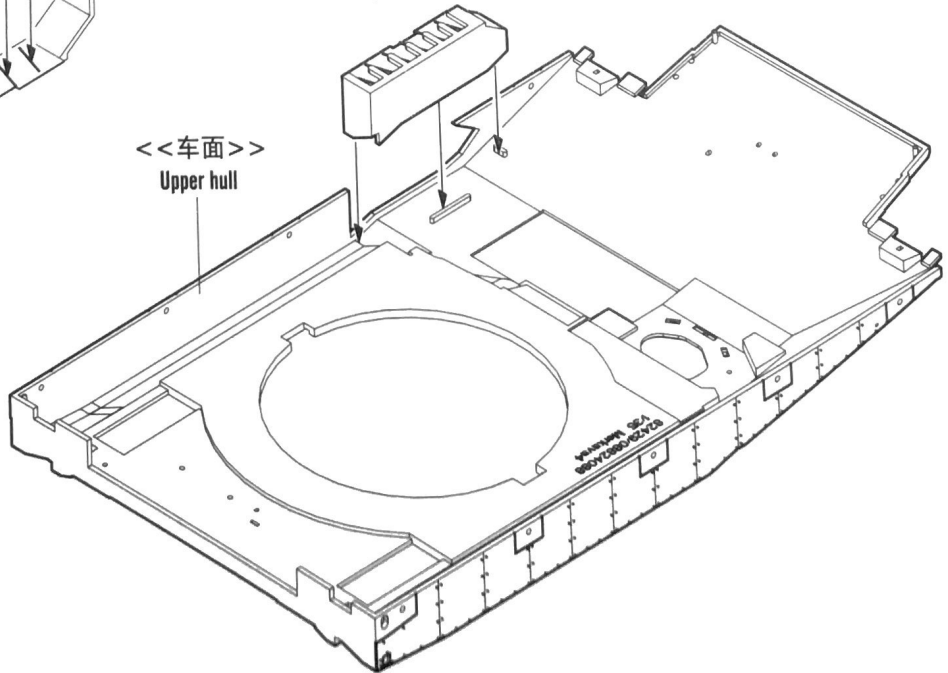
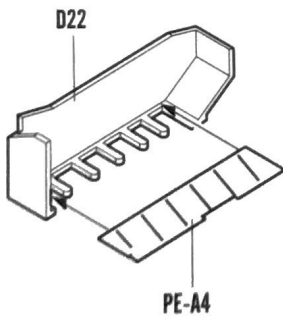
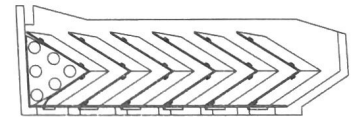
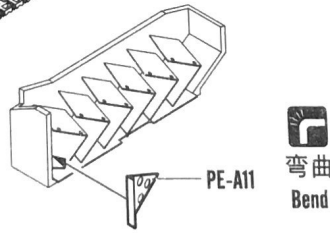
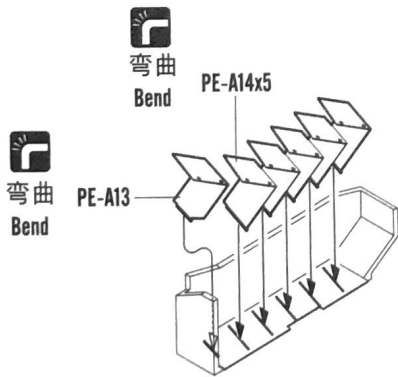


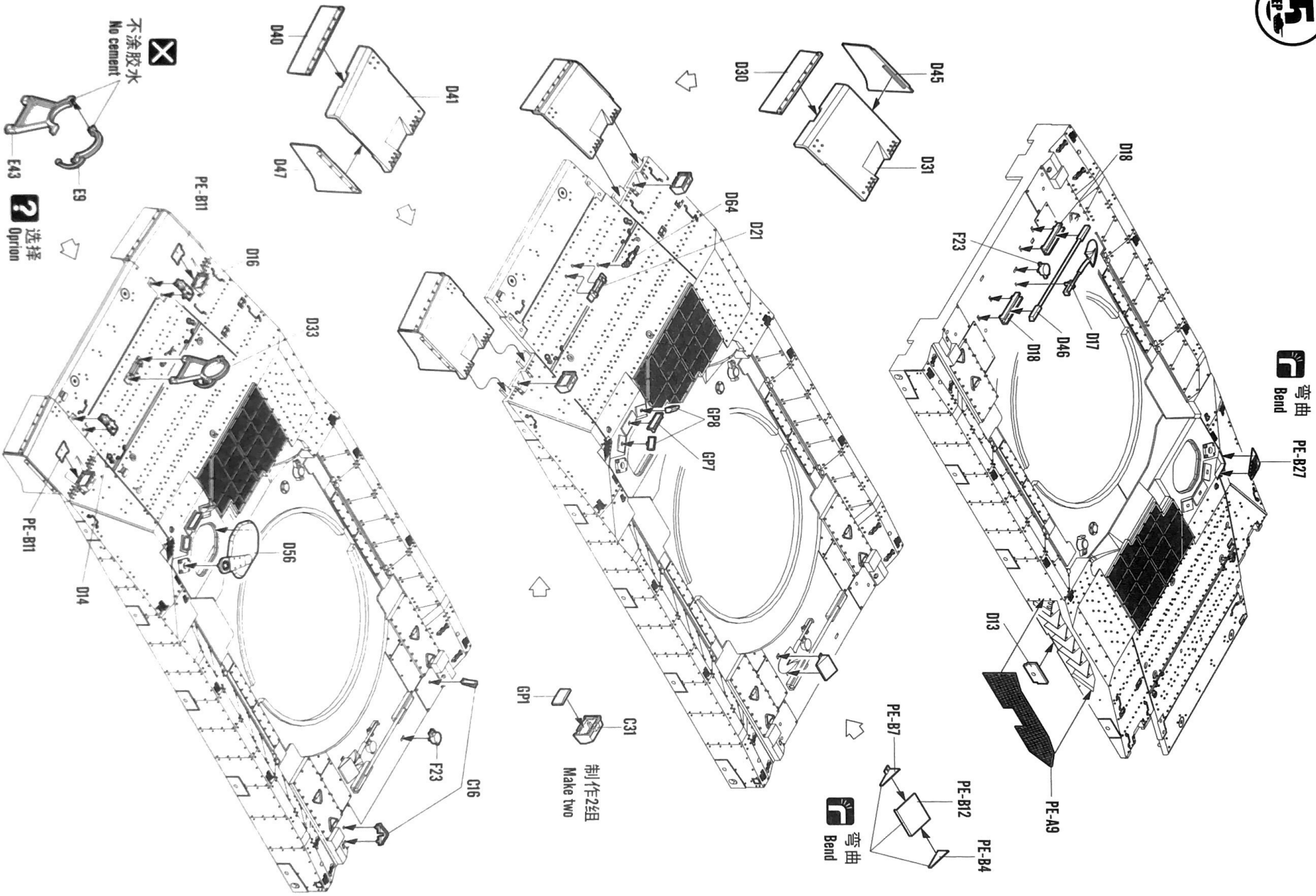
制作2组
Make two



完成示意图
Finish show

比例: 1:1
Scale:





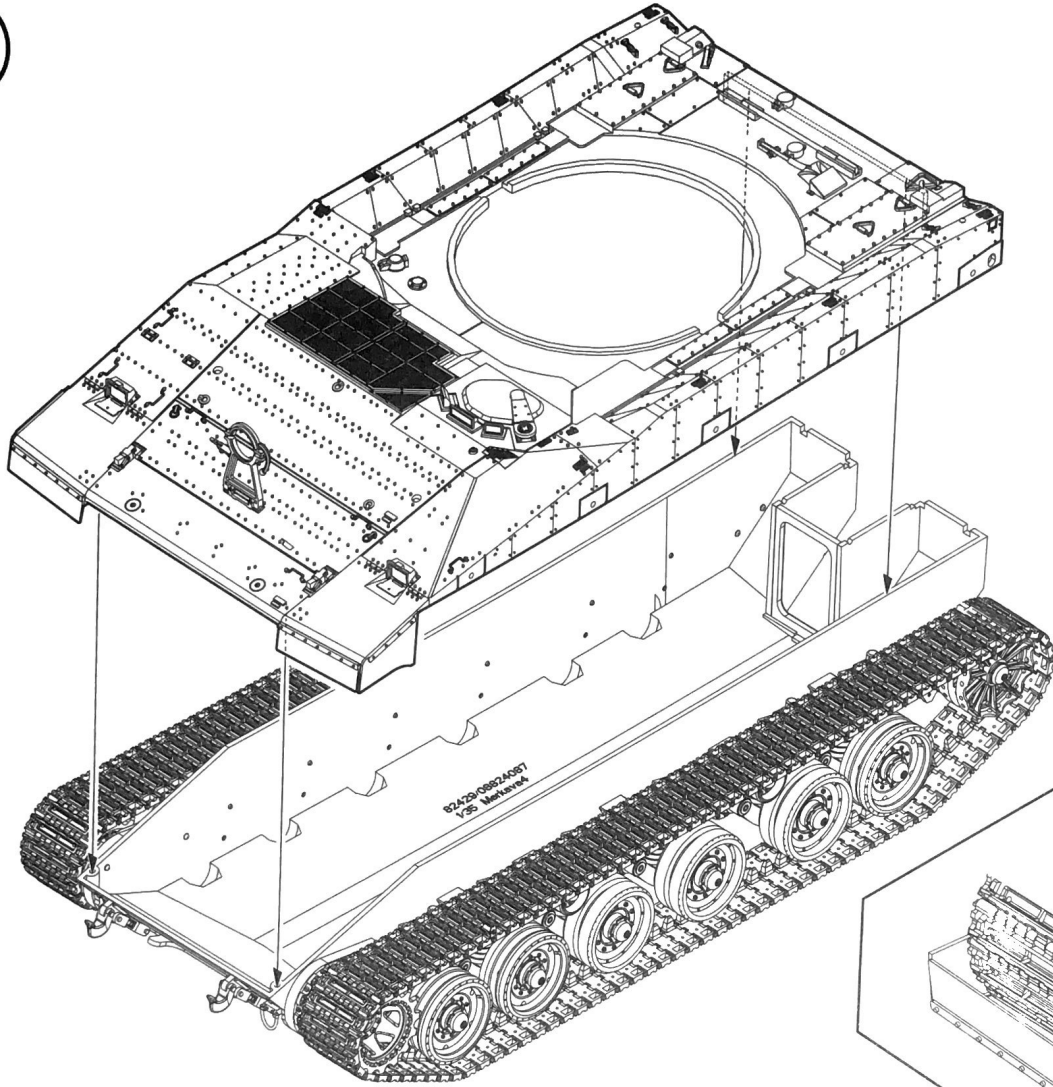
弯曲 Bend PE-B27

弯曲 Bend PE-B4 PE-B12 PE-B7

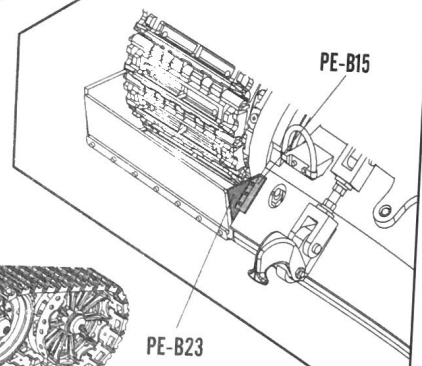
制作2组 Make two C31 GP1

不涂胶水 No cement

选择 Option E9 E43



完成示意图
Finish show



弯曲
Bend

PE-B15

PE-B23



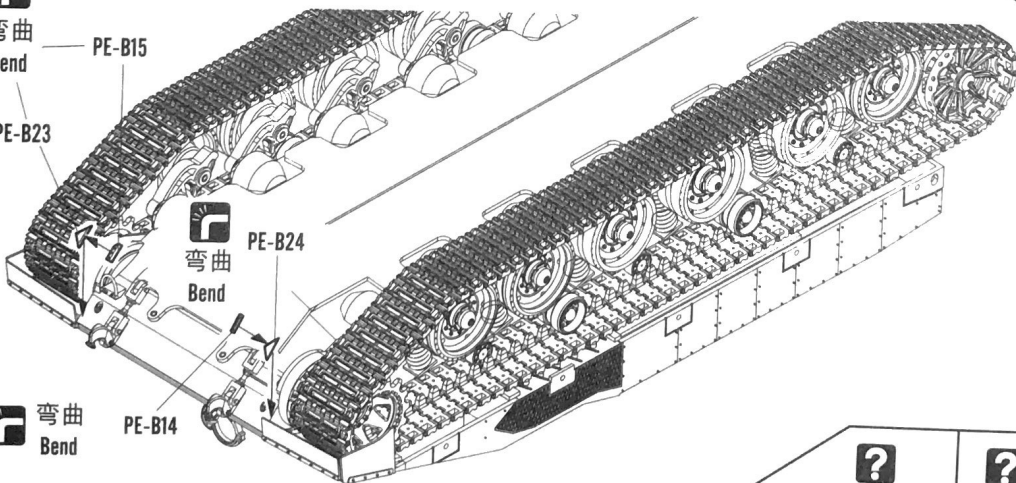
弯曲
Bend

PE-B24



弯曲
Bend

PE-B14



选择
Option



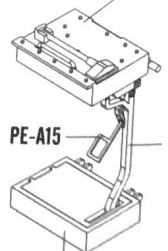
选择
Option

车门打开状态
Open the door

<<B-B>>

车门关闭状态
Close the door

<<B-B>>

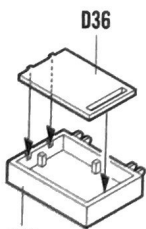


弯曲
Bend

PE-A15

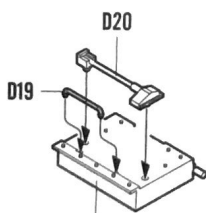
D15

<<A-A>>

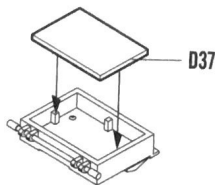


D54

<<A-A>>

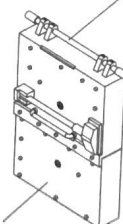


D53



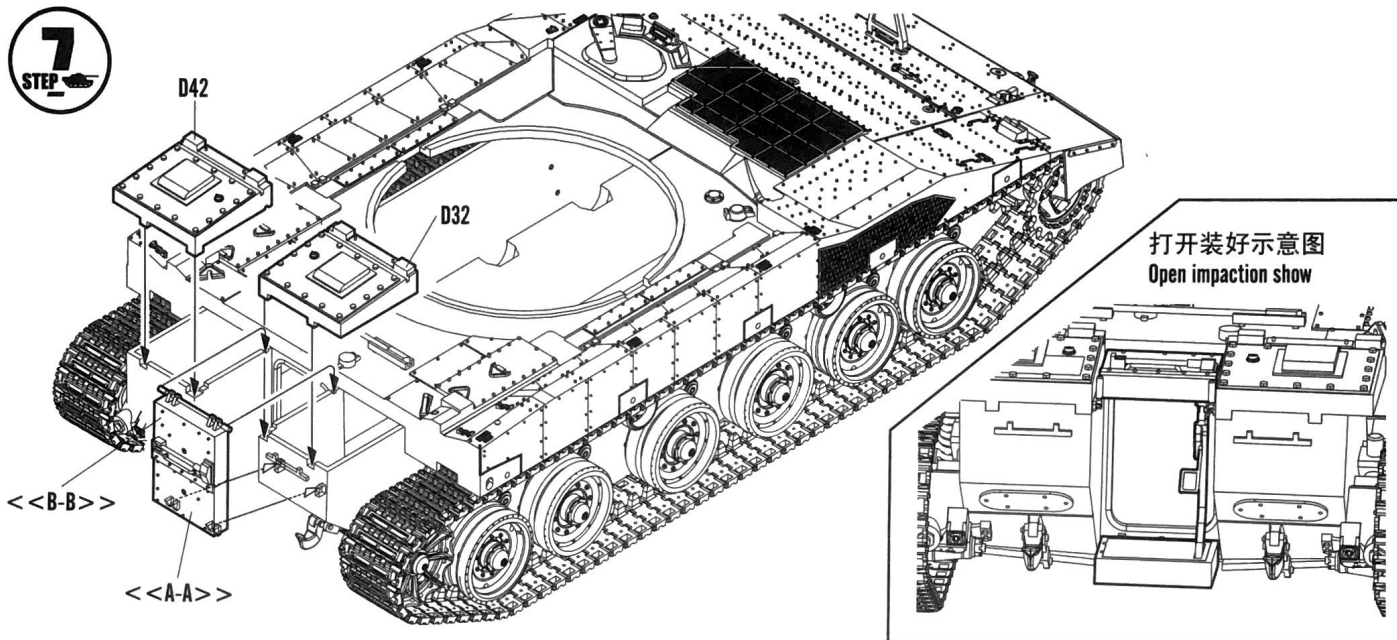
D37

<<B-B>>

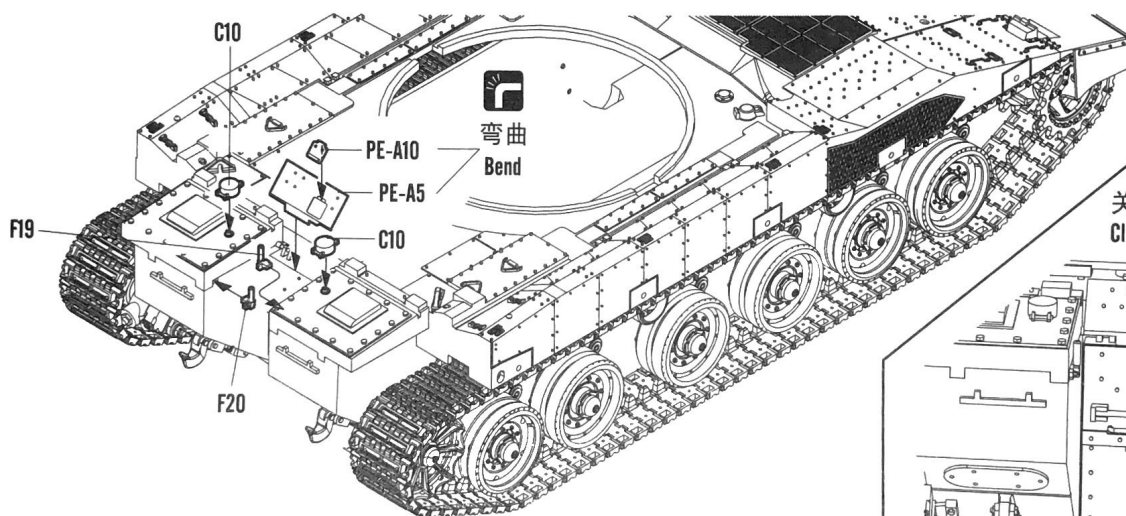


<<A-A>>

7
STEP

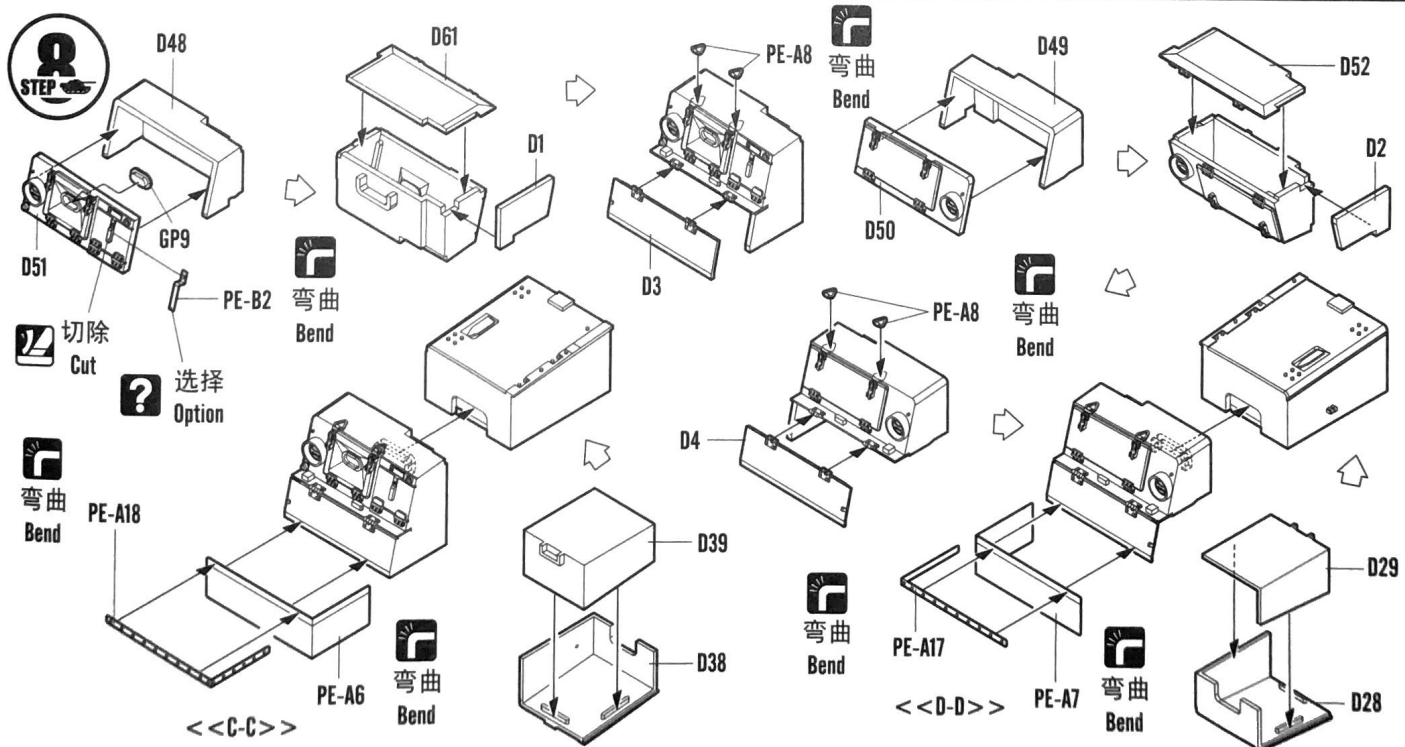


打开装好示意图
Open impaction show



关闭装好示意图
Close impaction show

8
STEP

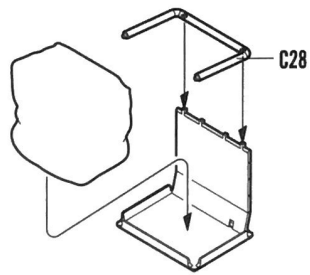
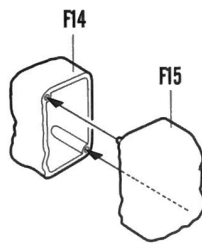


9
STEP

选择
Option



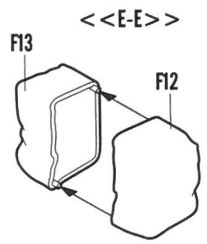
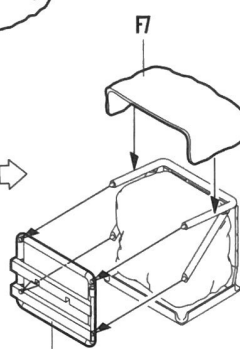
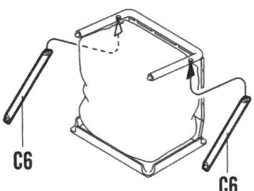
弯曲
Bend



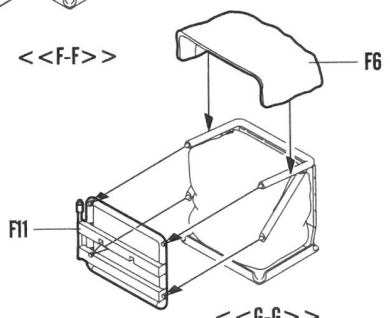
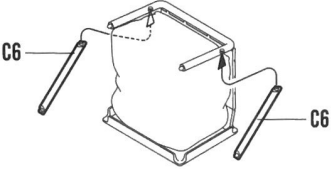
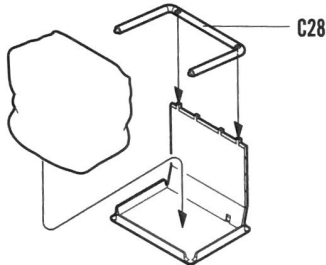
选择
Option



弯曲
Bend



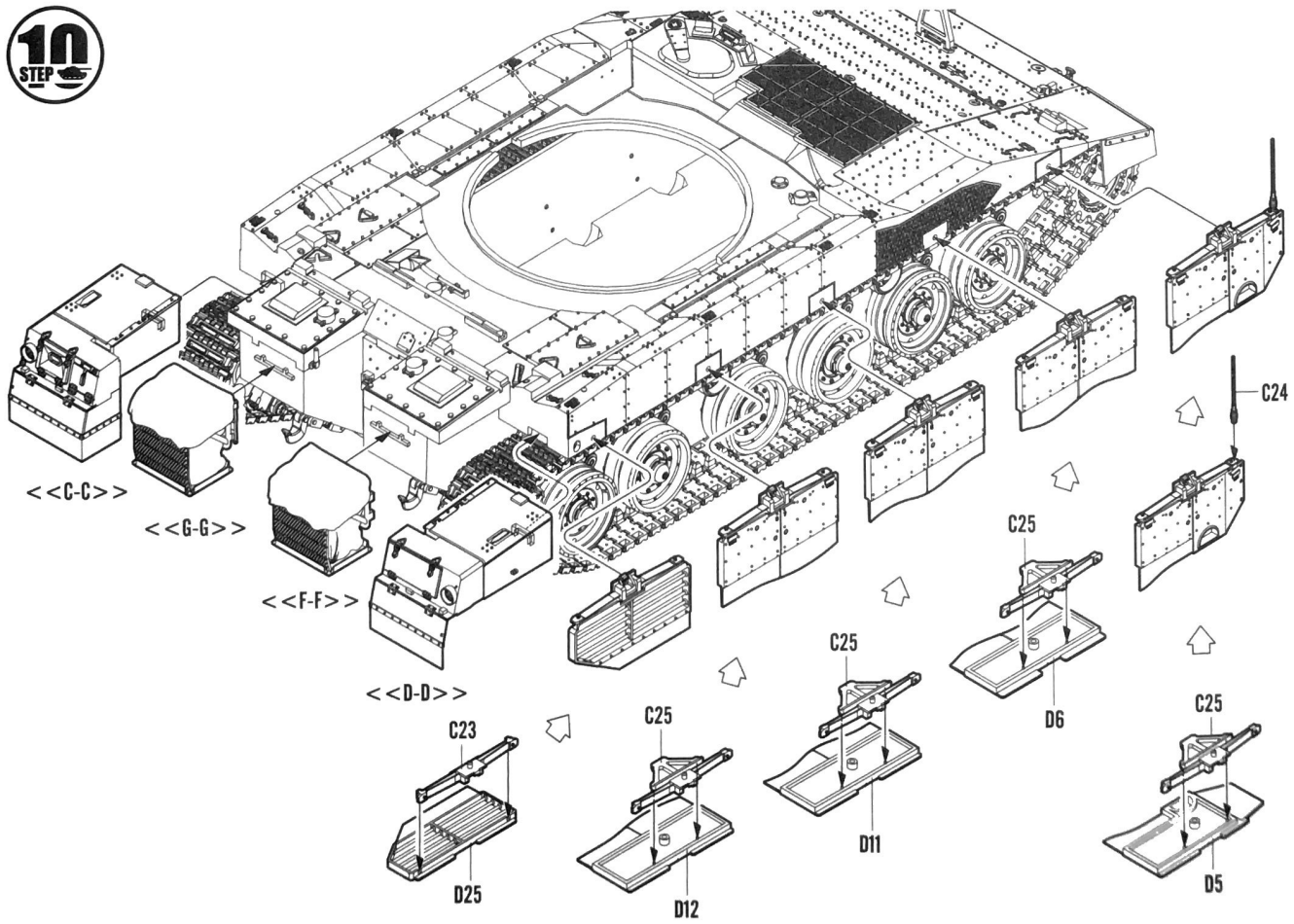
<<E-E>> 制作2组
Make two

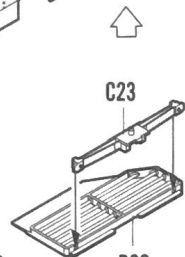
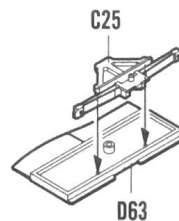
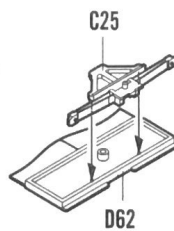
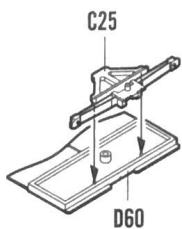
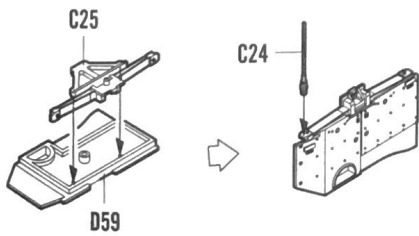
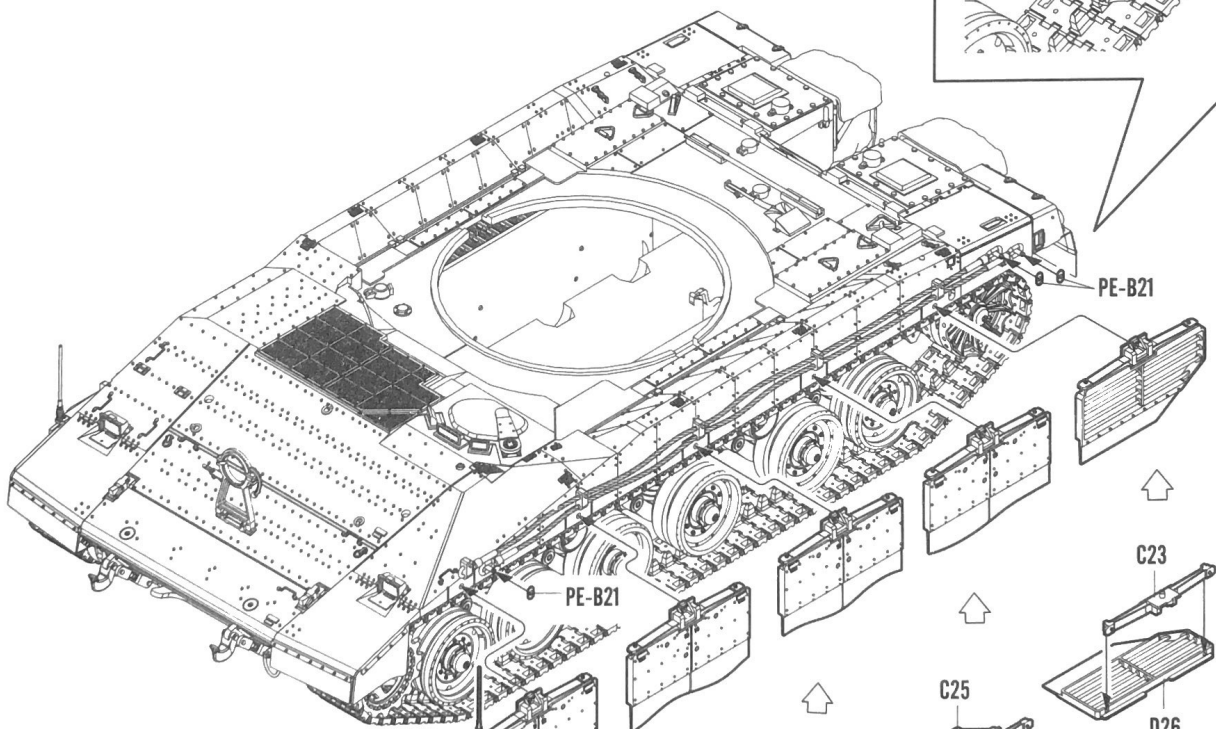
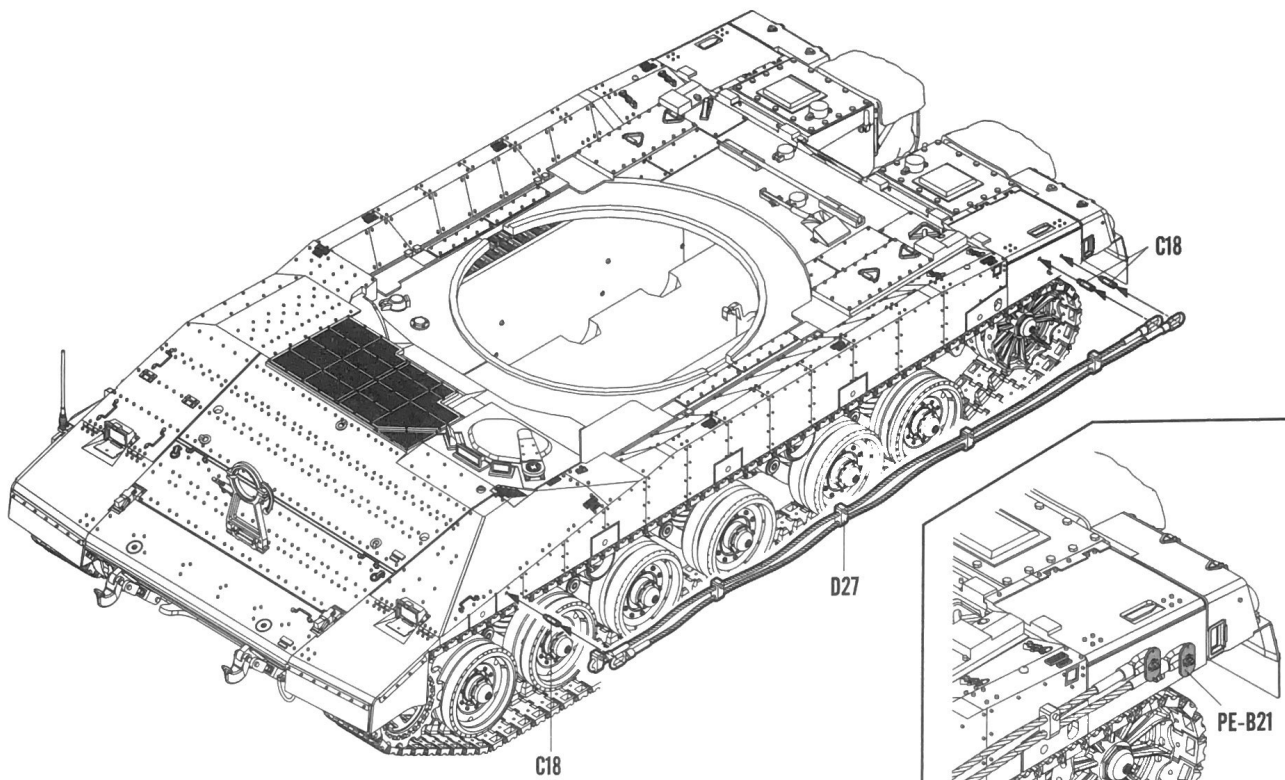


<<E-E>>

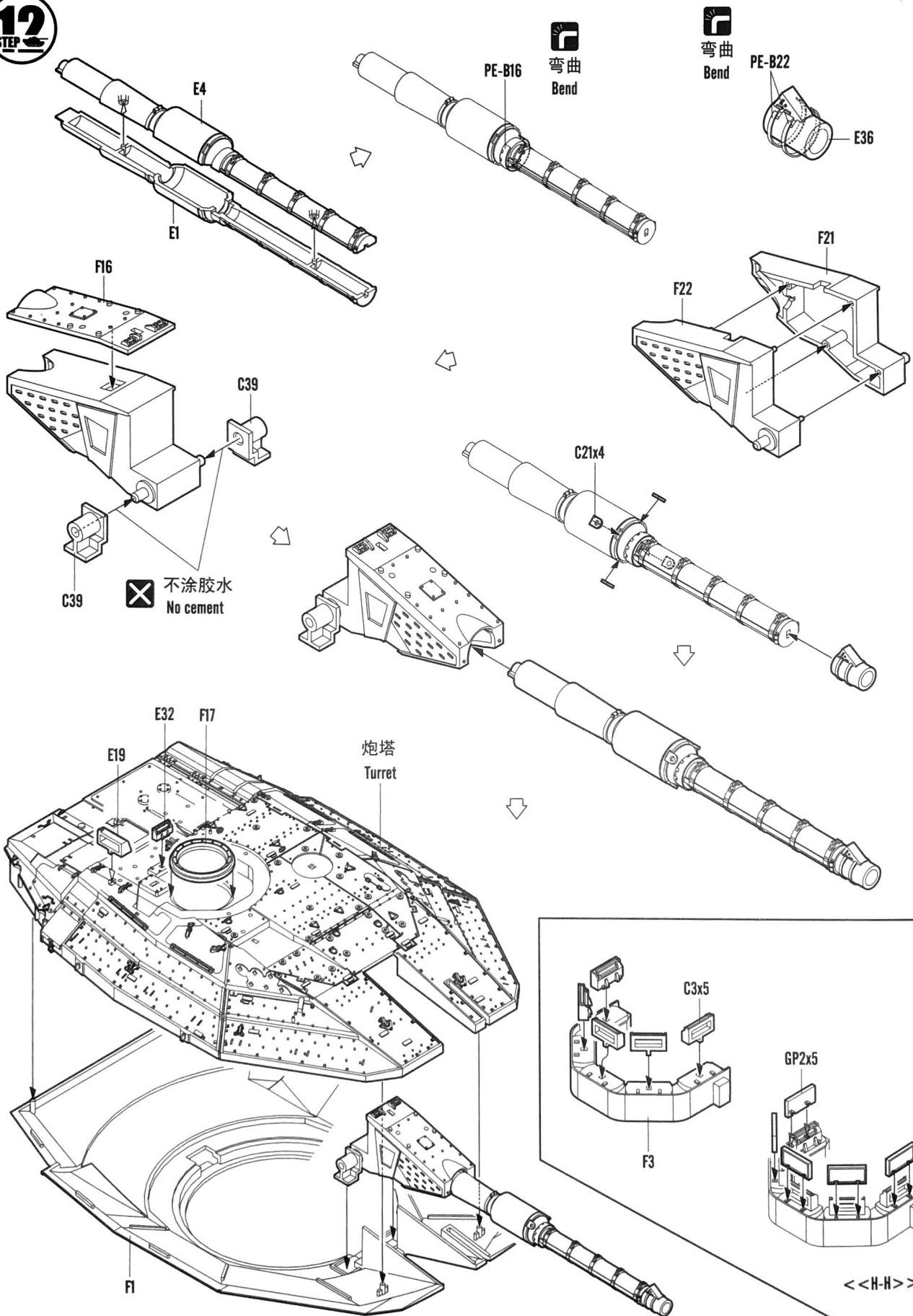
<<G-G>>

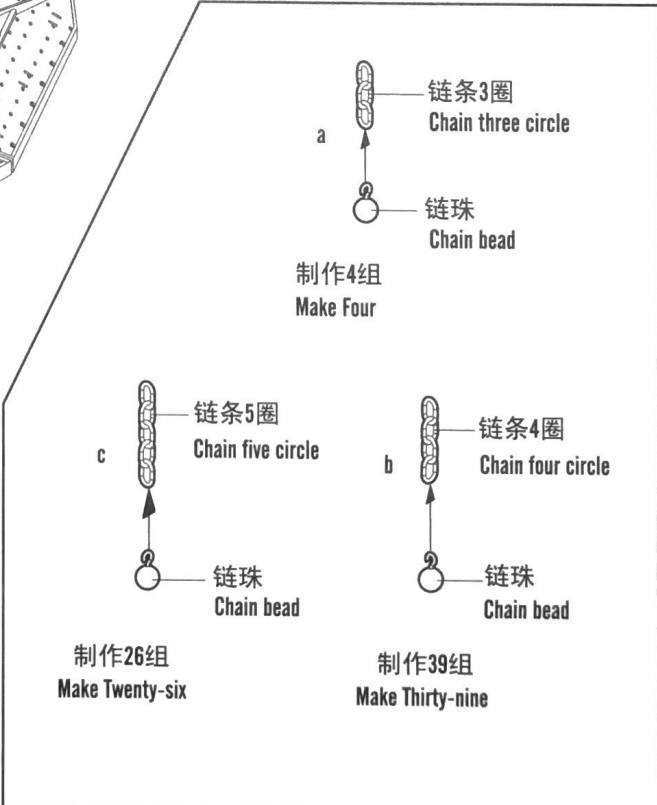
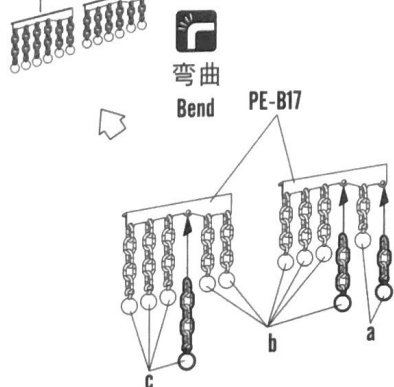
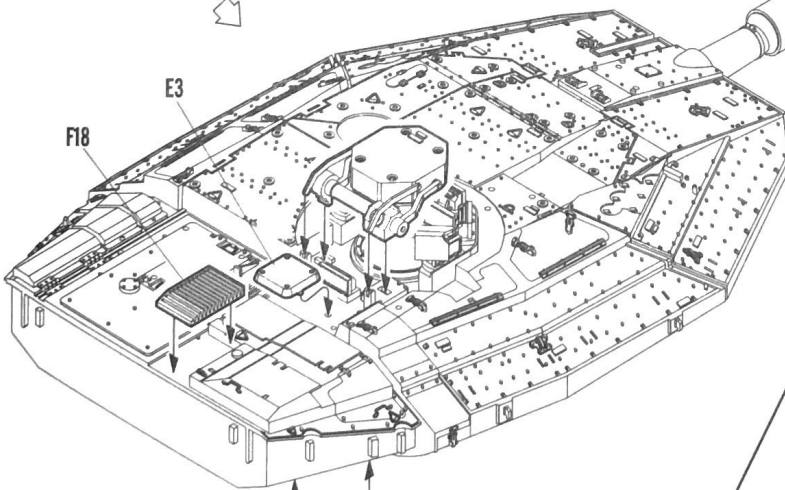
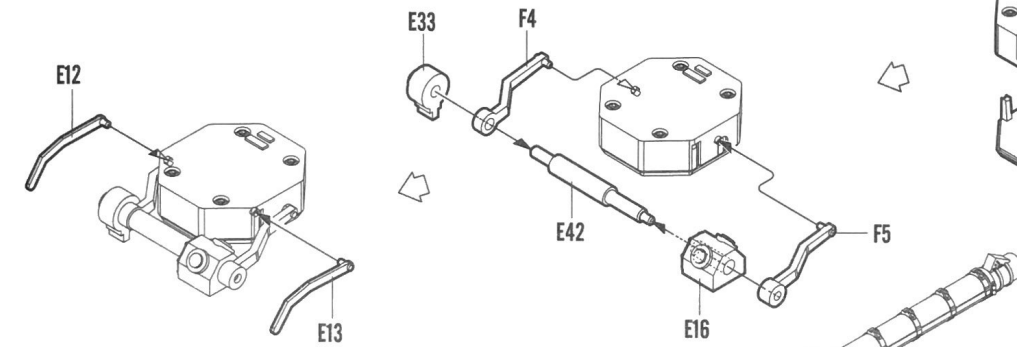
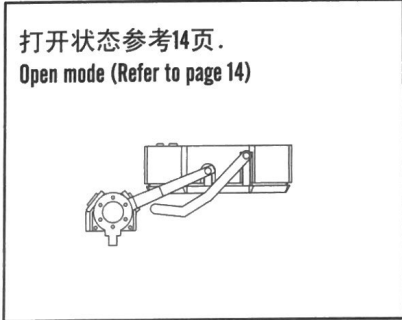
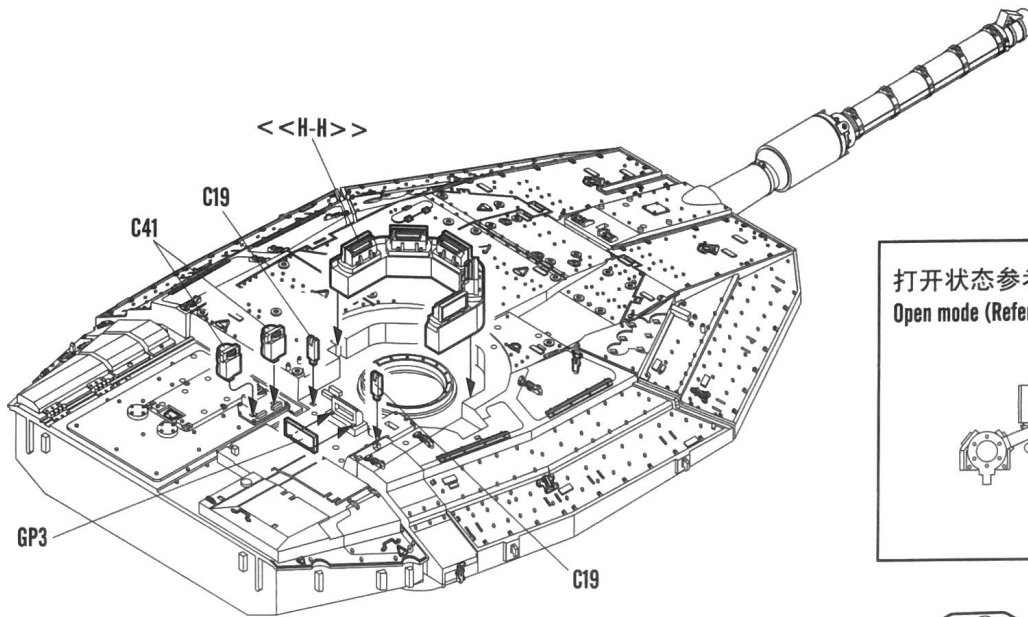
10
STEP

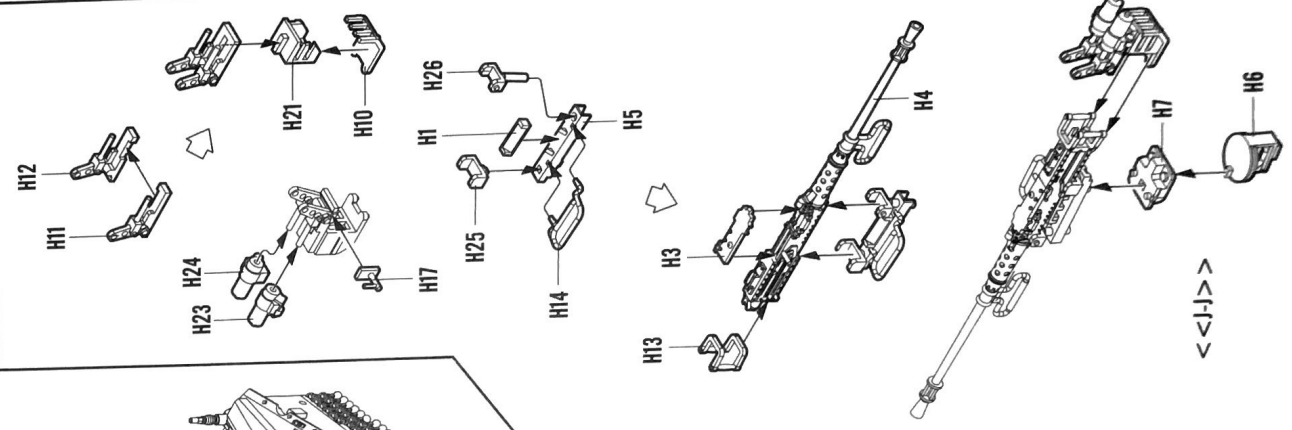
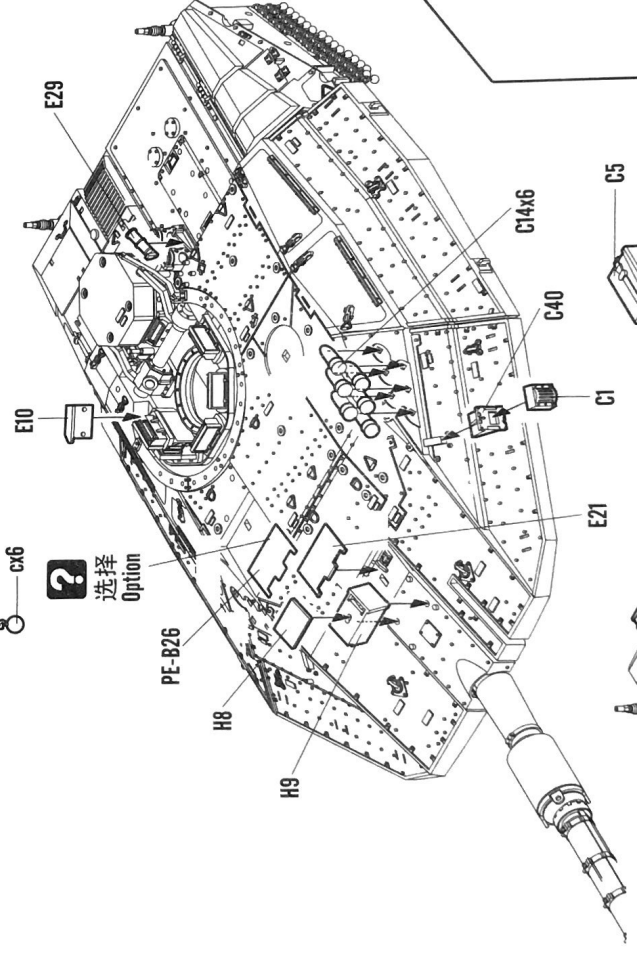
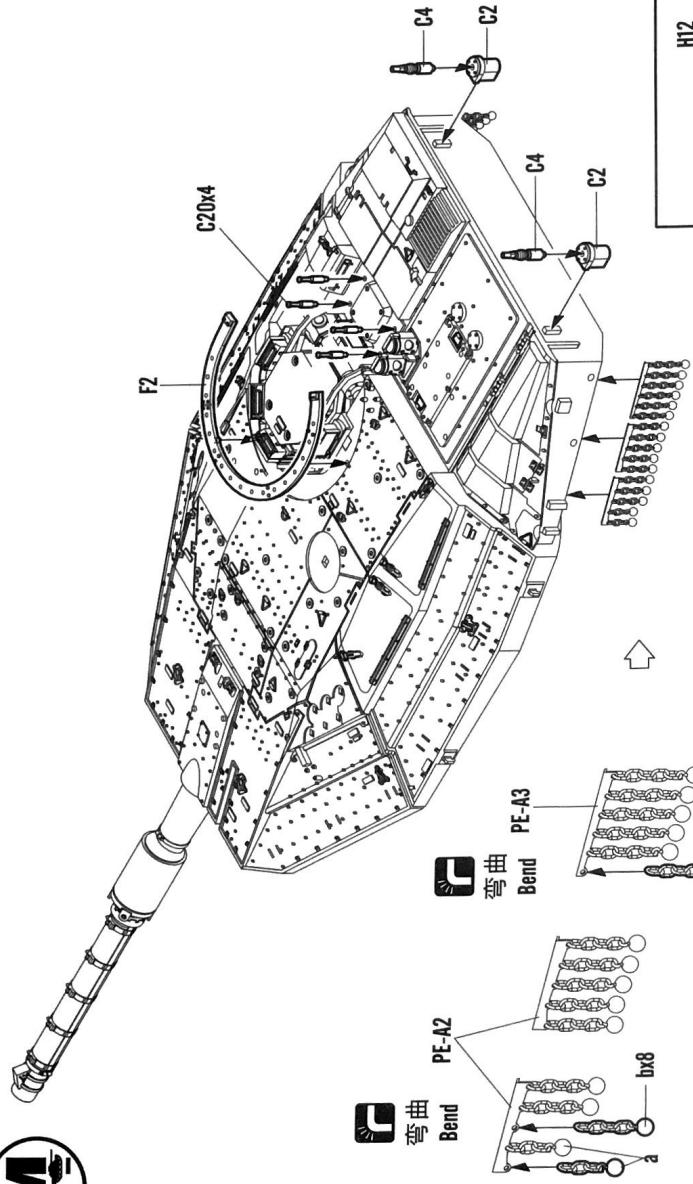




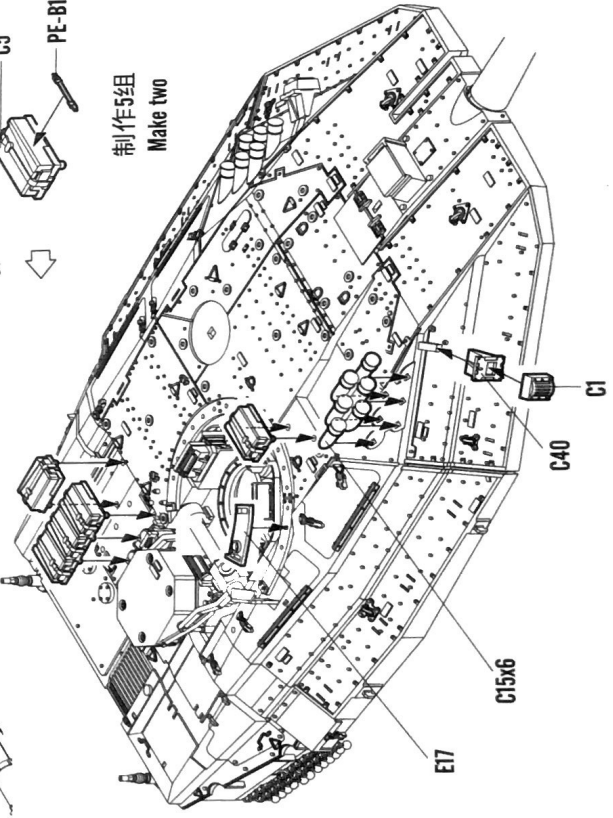
12
STEP

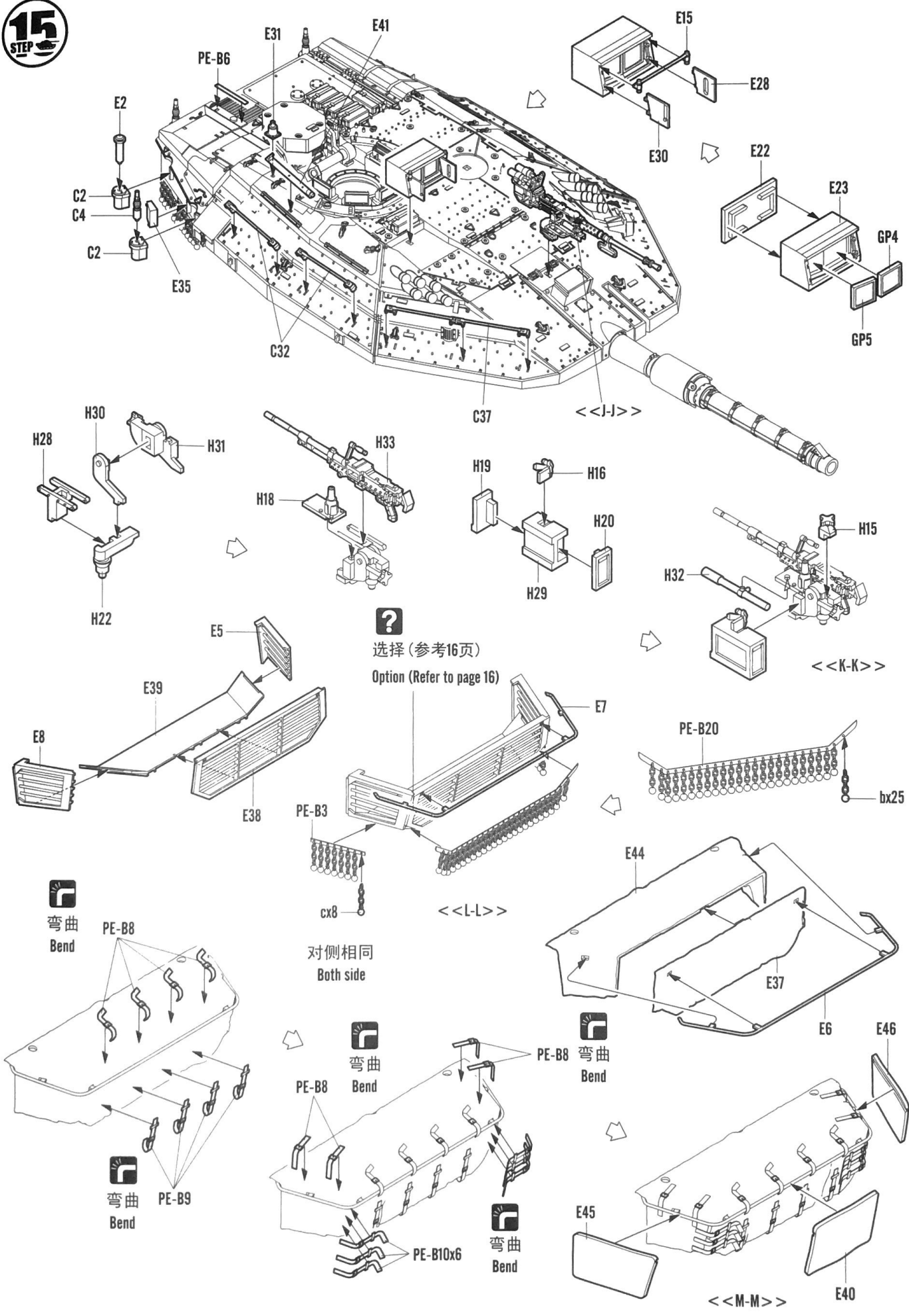






制作5组
Make two





?
选择 (参考16页)
Option (Refer to page 16)



弯曲
Bend

对侧相同
Both side



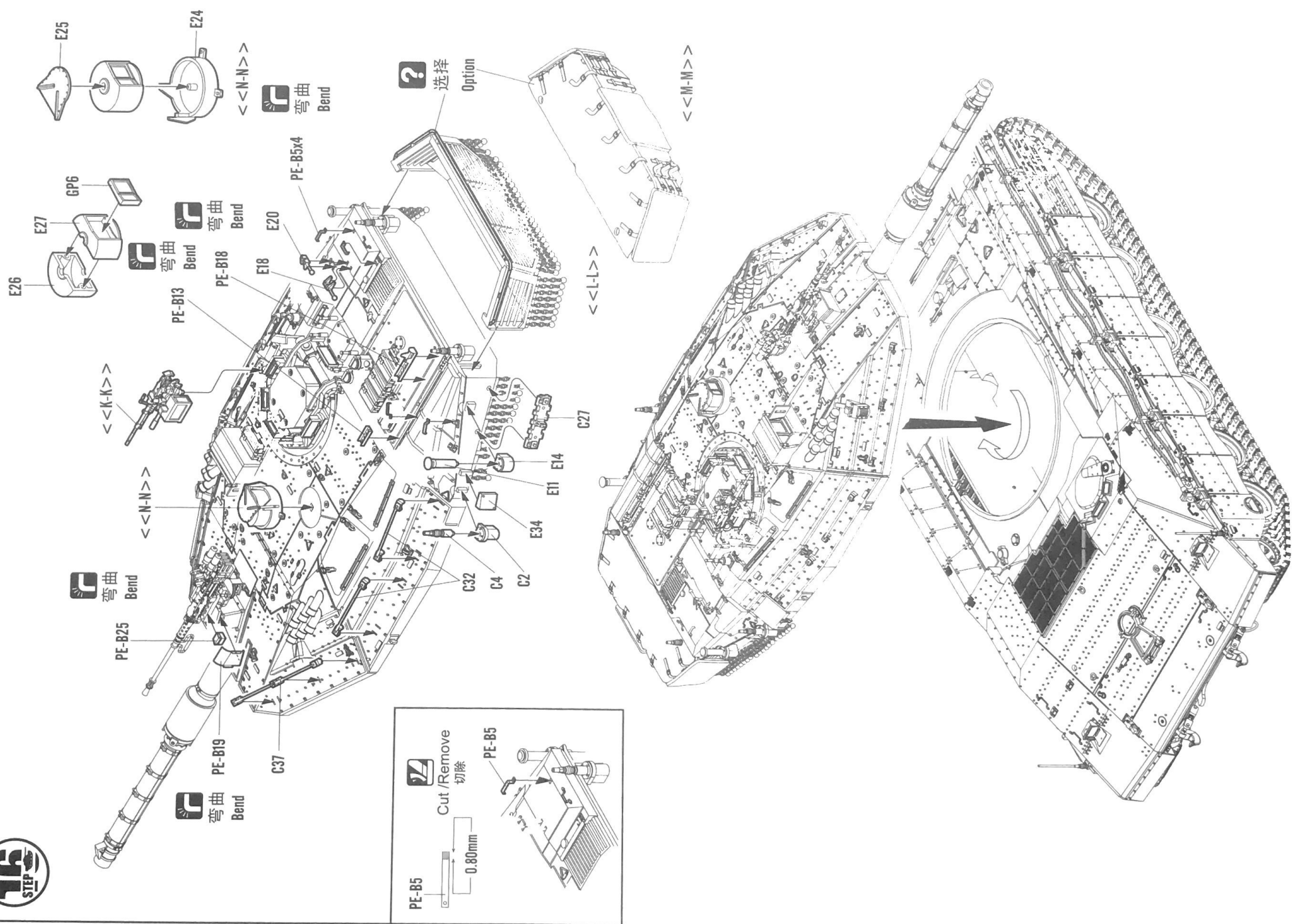
弯曲
Bend



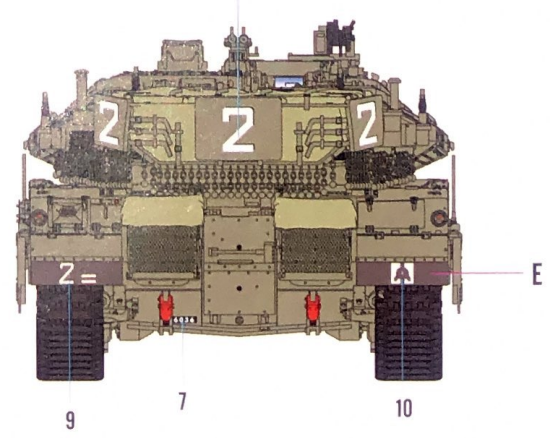
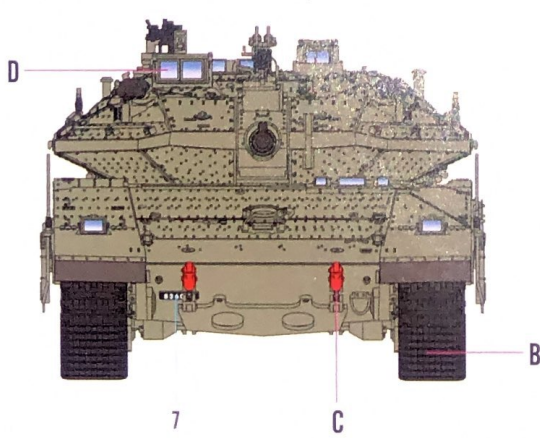
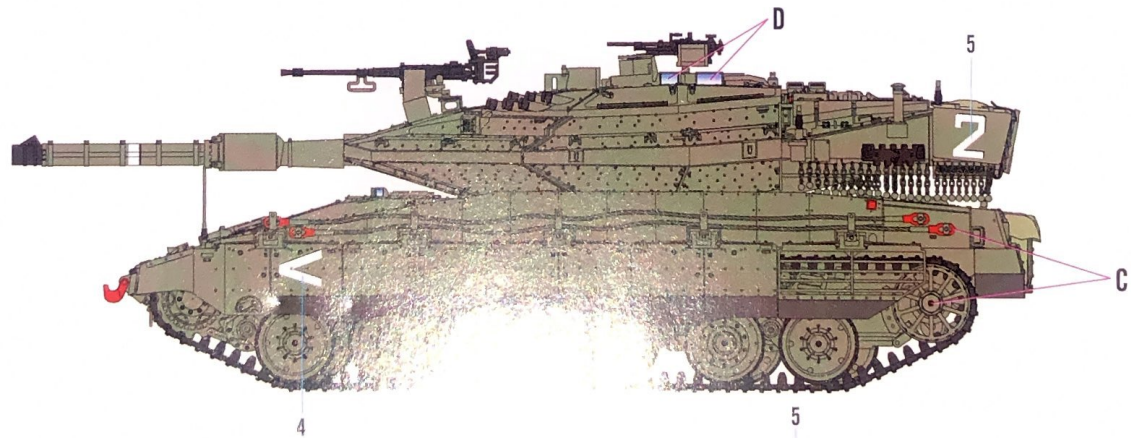
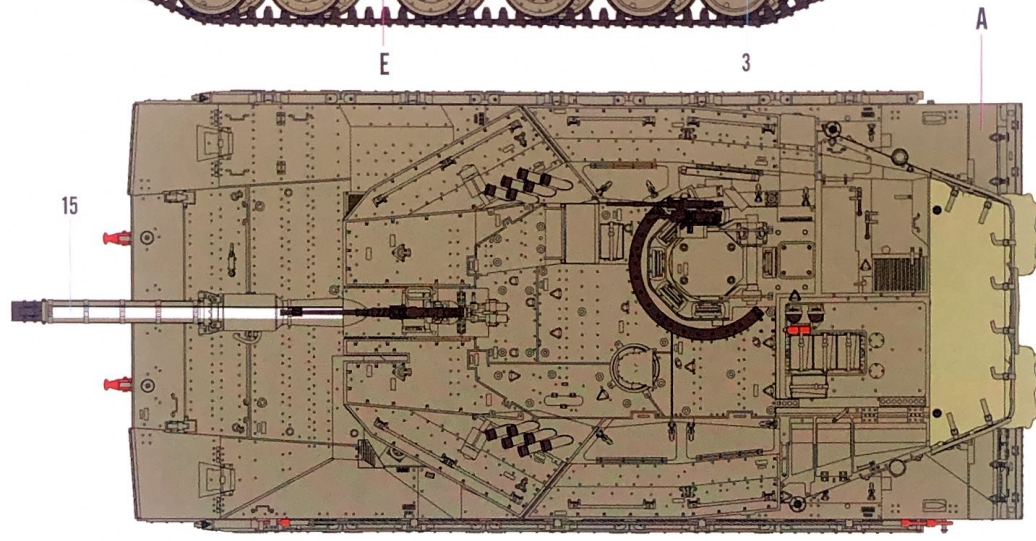
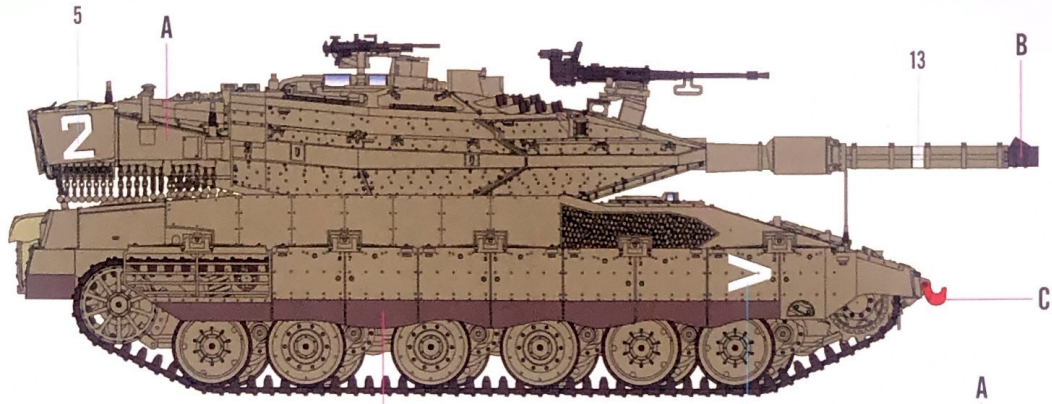
弯曲
Bend



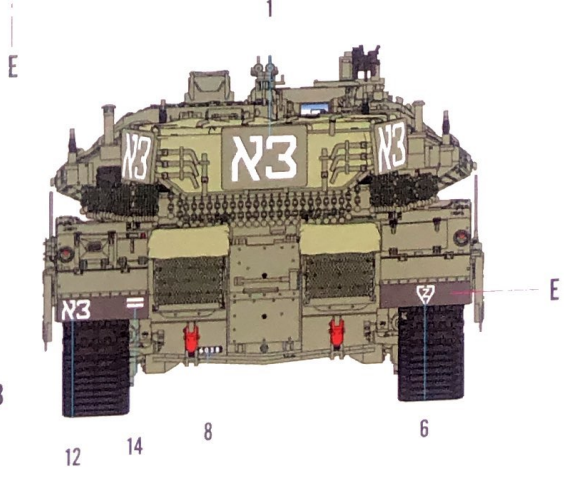
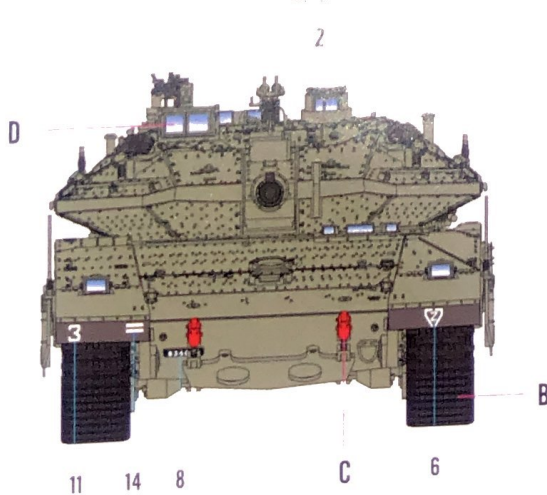
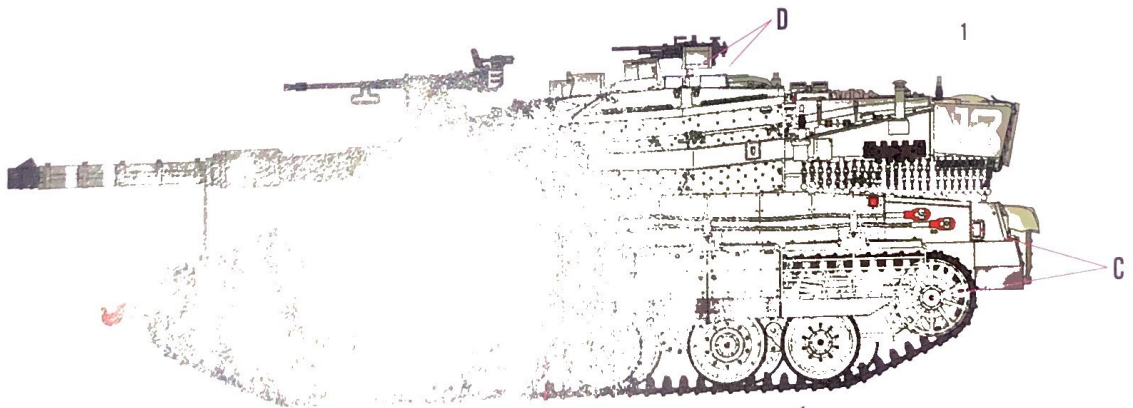
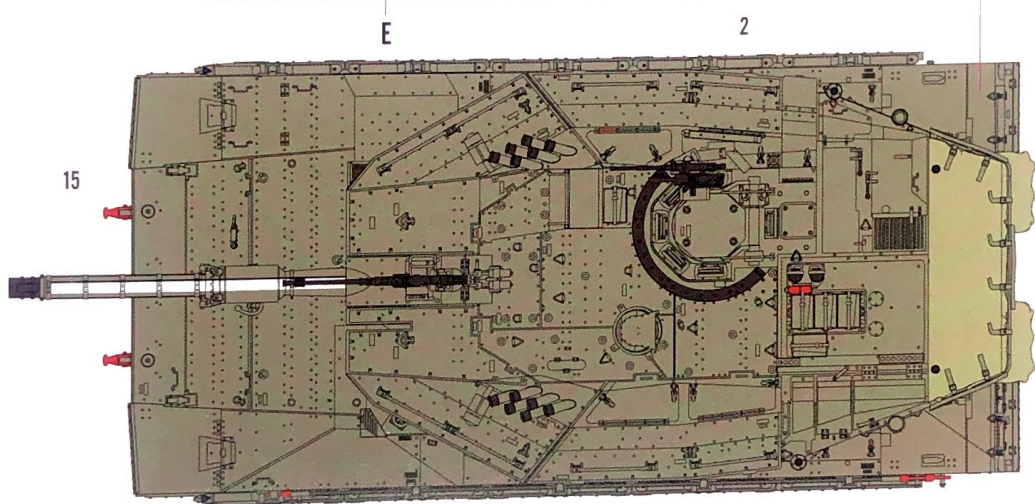
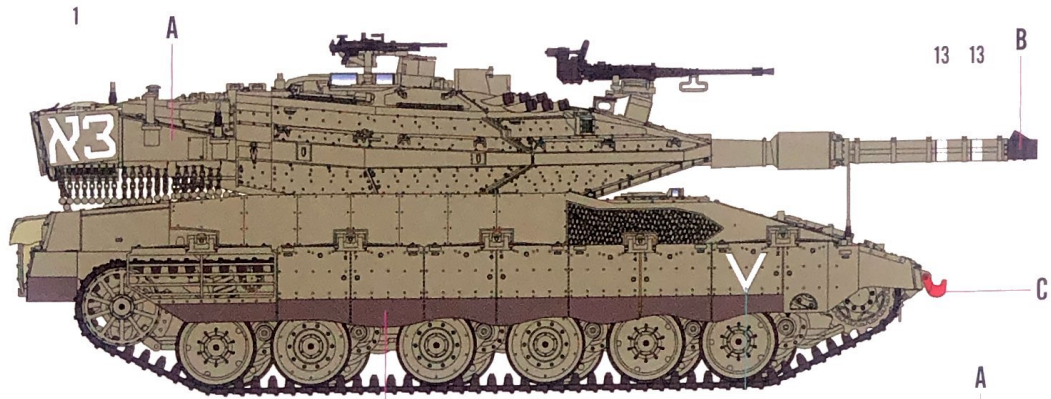
弯曲
Bend



I



Color	Mr.Hobby	Vallejo	Model Master	Tamiya	Humbrol
A 西奈灰 Sinai Gray	H[70] 60 + H[74] 36	--	--	--	--
B 黑铁色 Steel	H[18] 28	864	1402	--	--
C 红色 Red	H[3] 3	908	1503	X7	19



Color	Mr Hobby	Vallejo	Model Master	Tamiya	Humbrol
D 透明蓝 Clear Blue	H[] 80	938		X23	..
E 附黑色 Ize Black	H[] 137