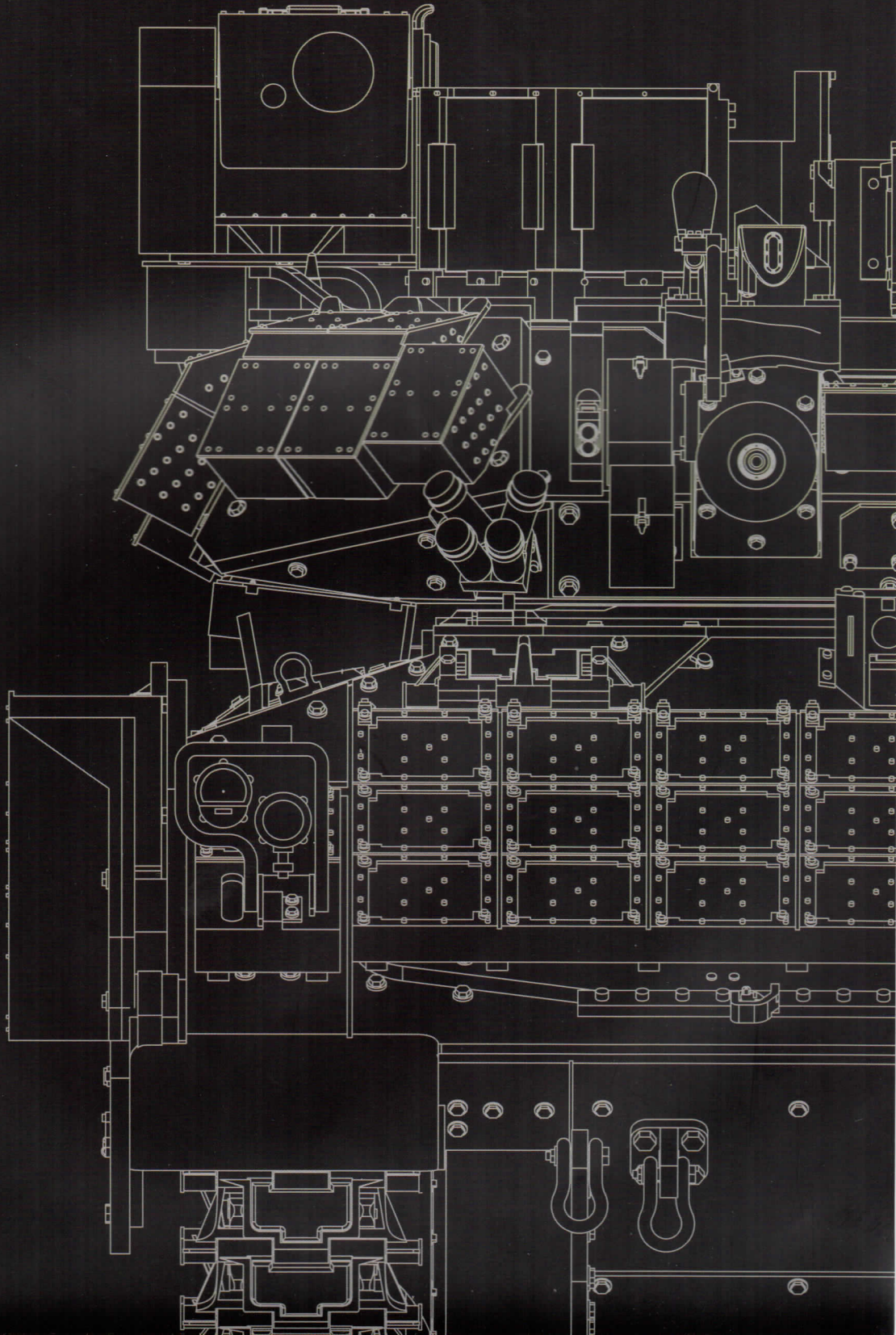




GROCHI

DELUXE EDITION

**M3A3
BRADLEY
GFV**



**1/35
IM001**

M3A3 Bradley U.S.Cavalry Fighting Vehicle

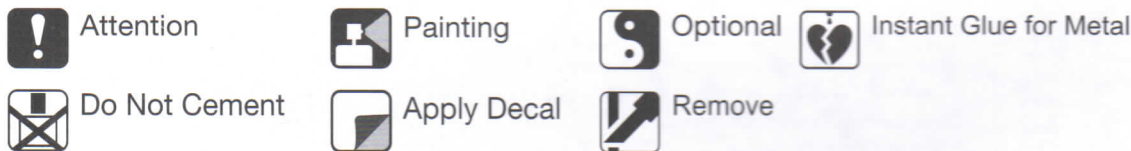
The M3 Bradley Cavalry Fighting Vehicle (CFV) is an American tracked armored reconnaissance vehicle manufactured by BAE Systems Land and Armaments (formerly United Defense) based on the Bradley Fighting Vehicle family. The M3 CFV is used by heavy armored cavalry units in the U.S. Army.

The M3 Bradley CFV is very similar to the M2 Bradley IFV (Infantry Fighting Vehicle) and is fielded with the same powerful two-man 25mm Bushmaster Cannon turret with the coaxial 7.62mm machine gun. It only varies from the M2 in a few subtle ways and by role. The M3 is classified as an armored reconnaissance and scout vehicle and does away with the firing ports found in the M2 series. The M3 also carries more TOW missiles as well as more ammunition for its 25mm and 7.62mm guns.

READ BEFORE ASSEMBLY

CAUTION

- Read carefully and fully understand the instructions before commencing assembly. A supervising adult should also read the instructions if a child assembles the model.
- When assembling this kit, tools including knives used. Extra care should be taken to avoid personal injury.
- Keep out of reach of small children. Children must not be allowed to suck any part, or pull vinyl bag over their heads.



APPLYING DECALS

1. Clean the model surface with a wet cloth.
2. Cut out each decal design from sheet, and dip it in tepid water for 15~20 sec.
3. Hold the backing sheet edge and slide decal onto the model.
4. Move decal into position by wetting decal with finger.
5. Press decal gently down with a soft cloth until excess water and air bubbles are gone.

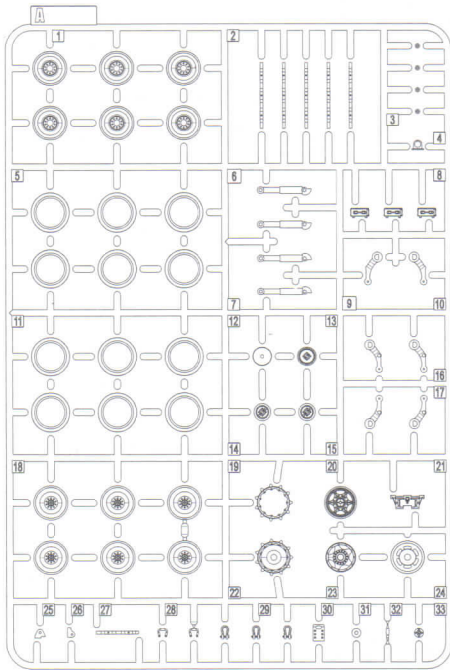
PAINTS REQUIRED

XF-1 Flat Black
XF-49 Khaki
XF-59 Desert Yellow

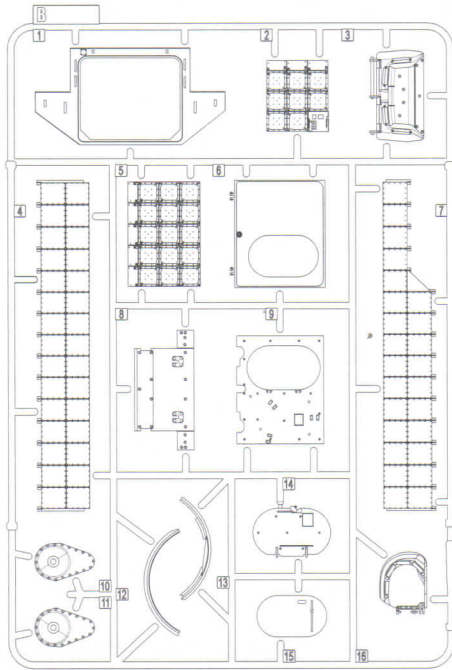
X-10 Gun Metal
X-11 Chrome Silver
X-26 Clear Orange
X-27 Clear Red

REMOVING PE

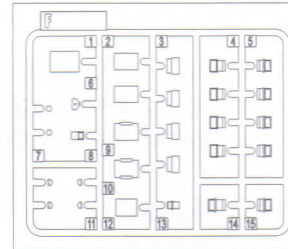
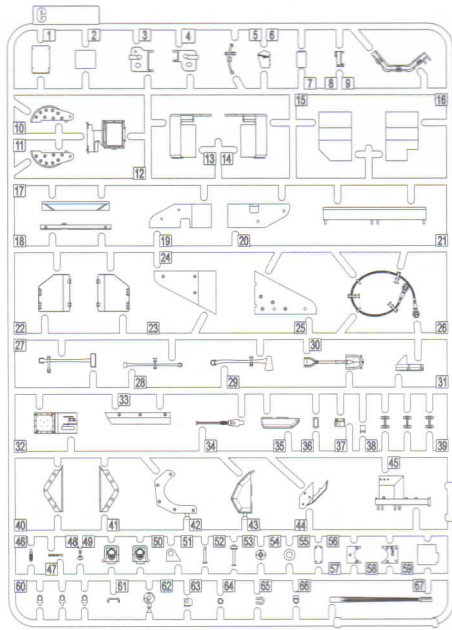
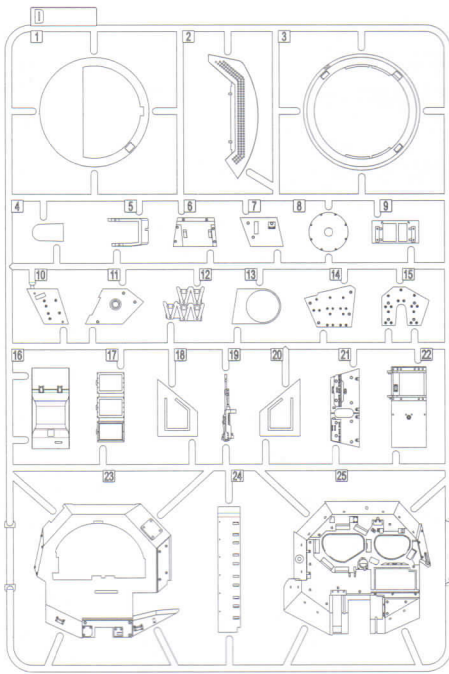
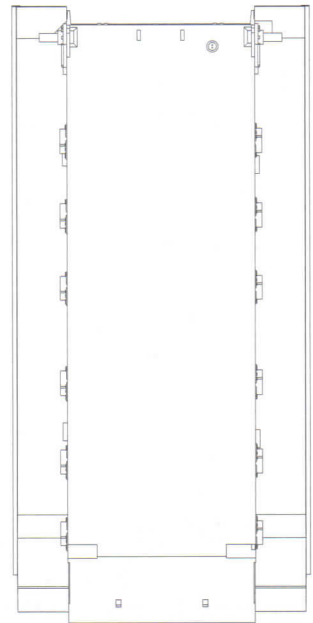
1. Be careful not to hurt when removing PE parts.
2. Secure using instant glue (not included).
3. Finish using file.



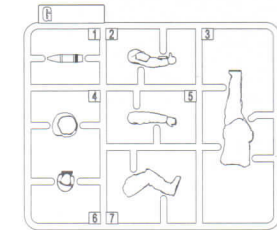
x2



Lower Hull



Clear Parts



Decal



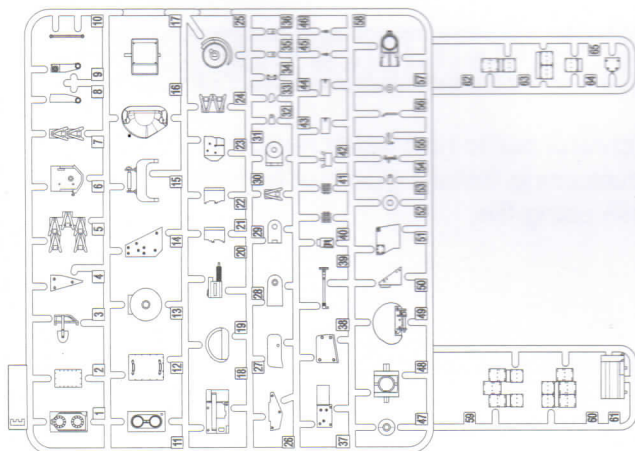
Poly Cap



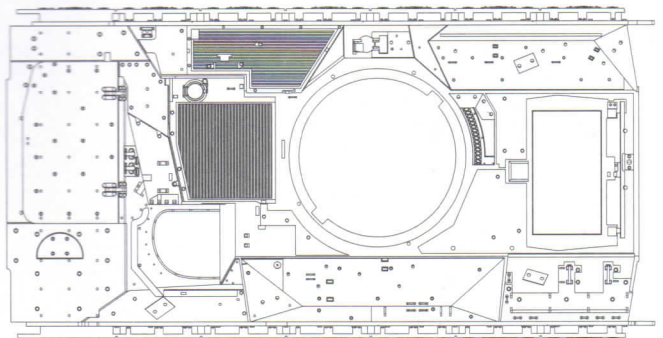
PE

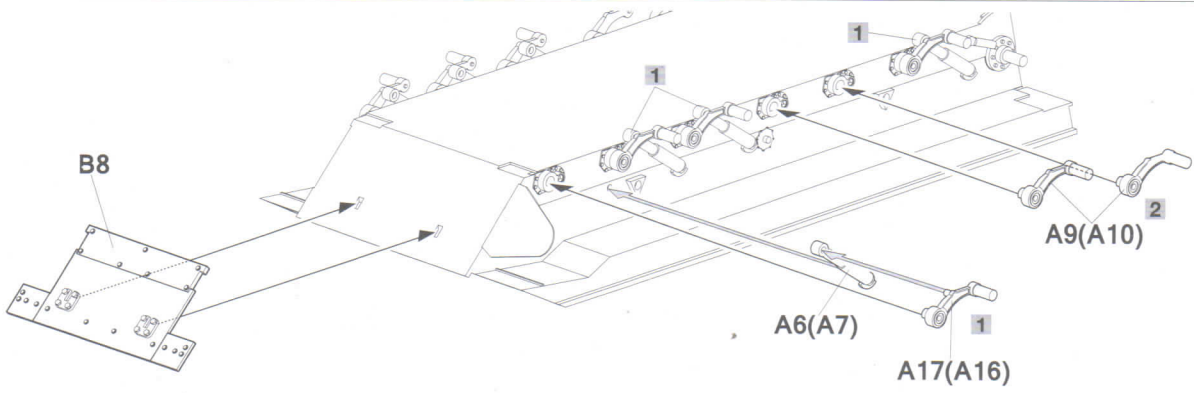
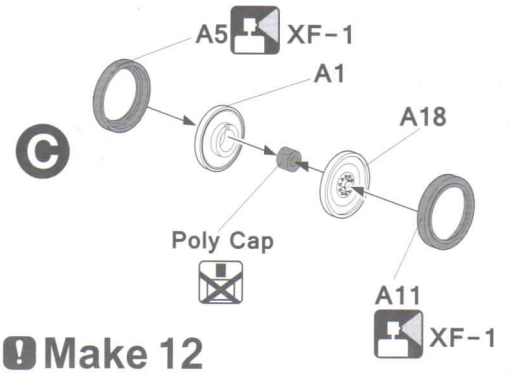
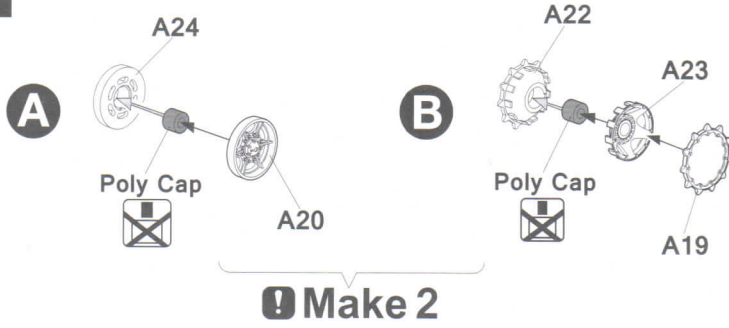
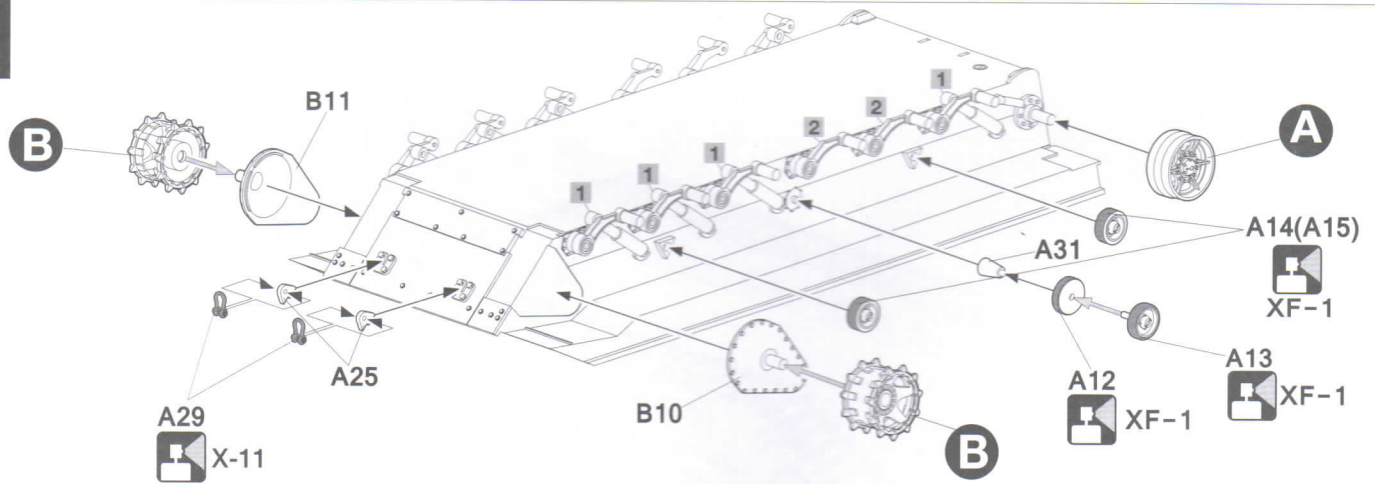
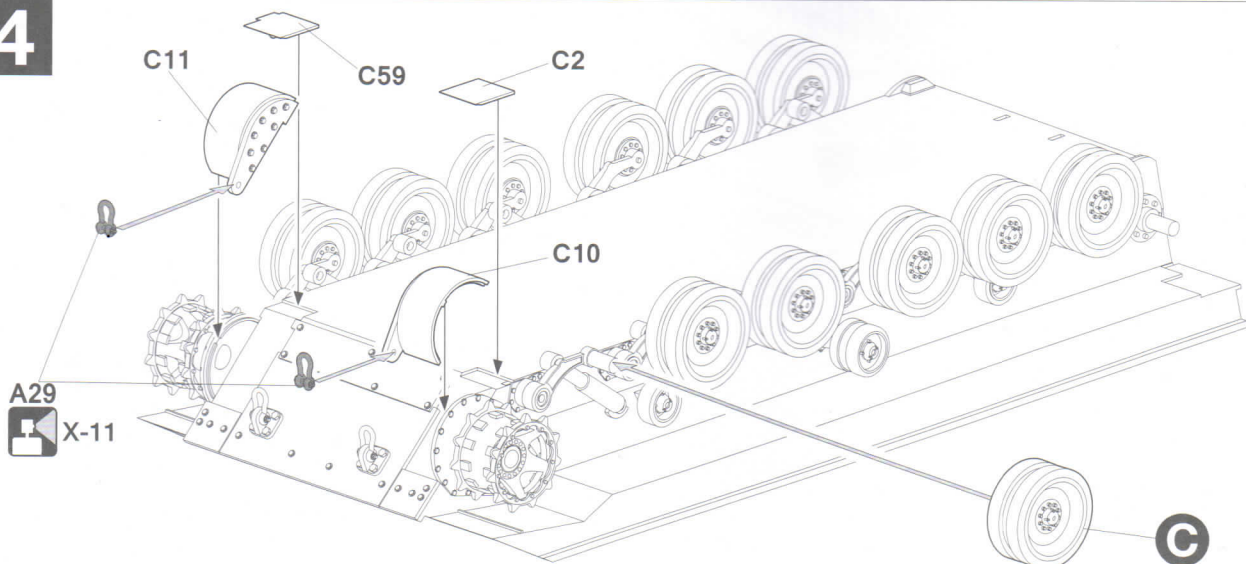
PARTS

 Poly Part

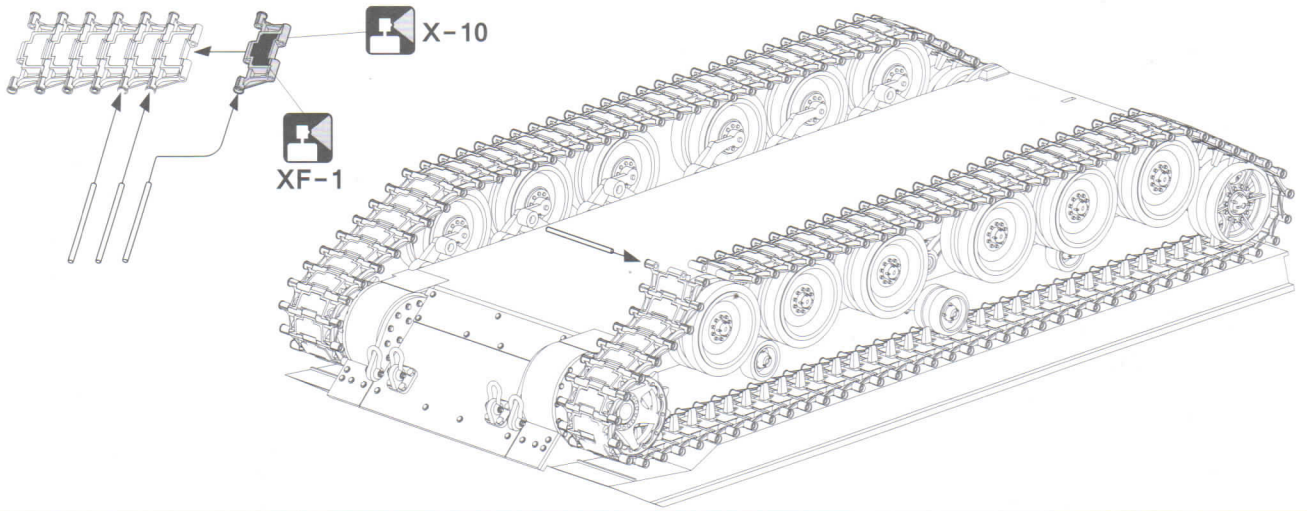


Uper Hull

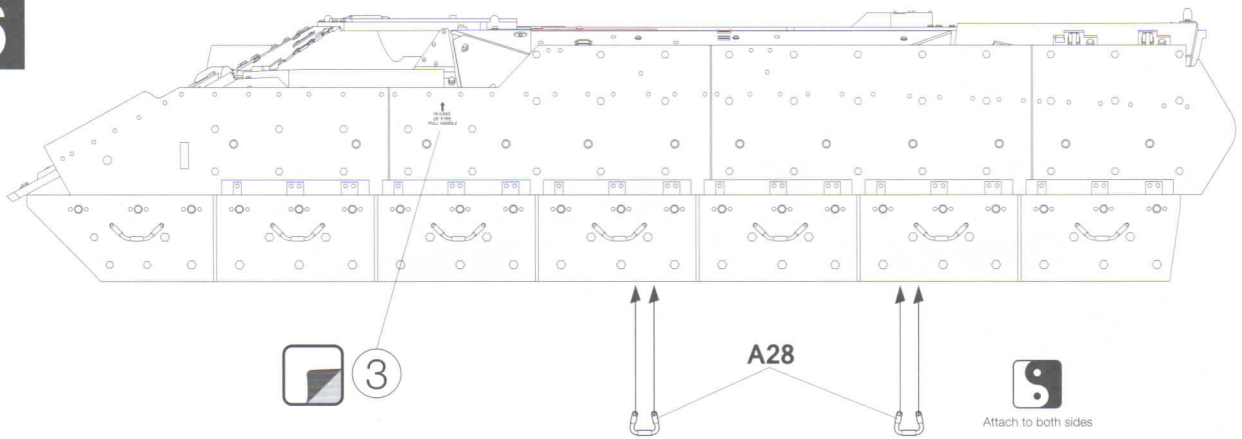


1**2****3****4**

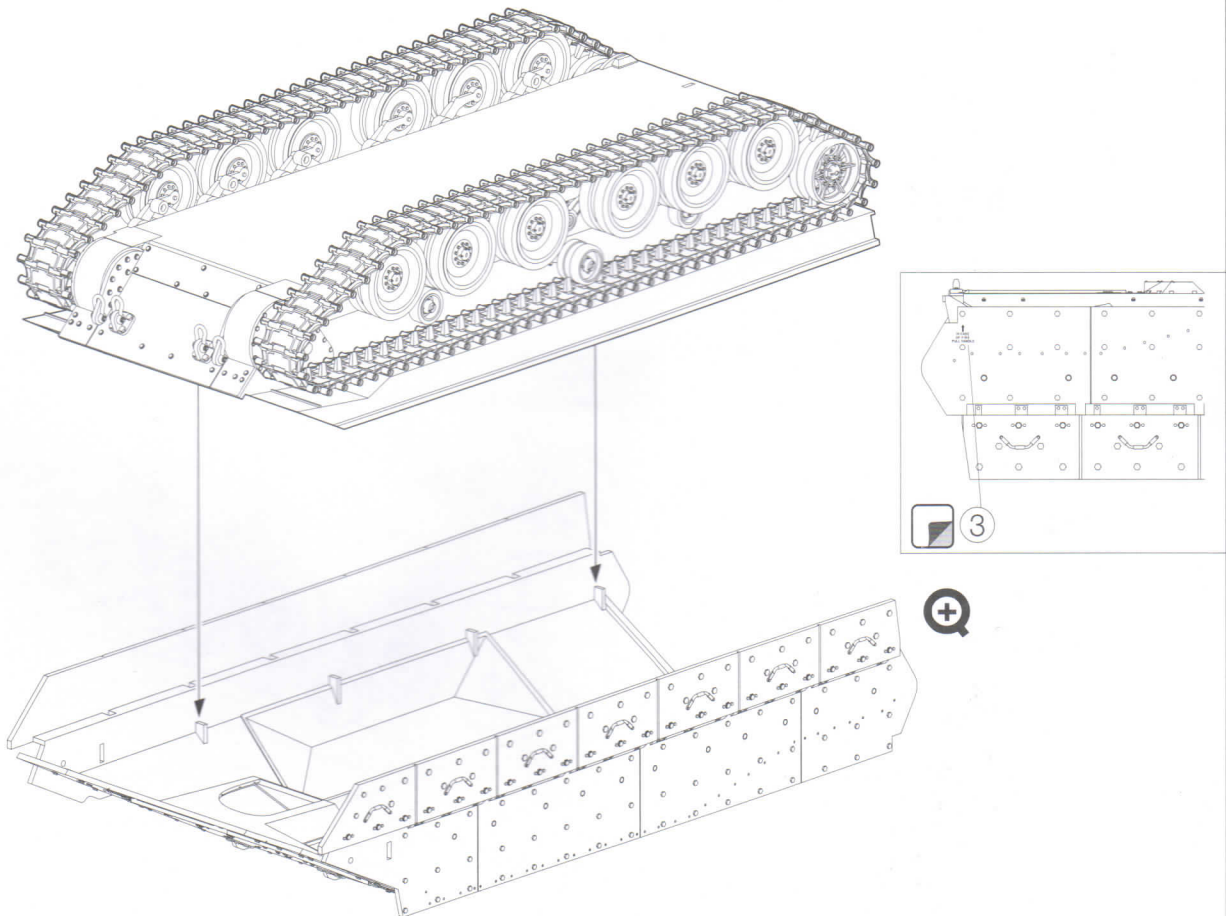
5



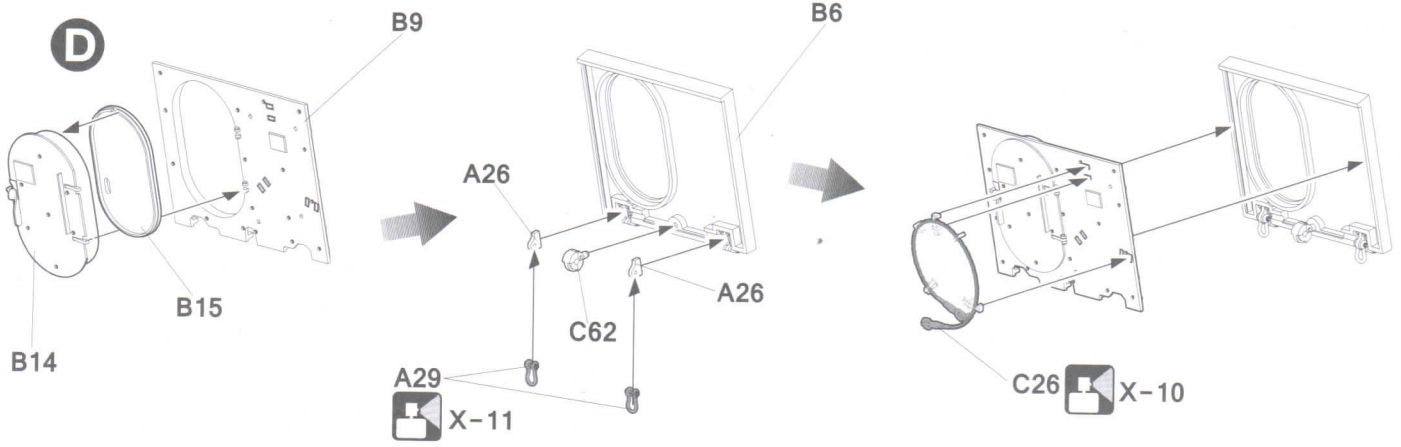
6



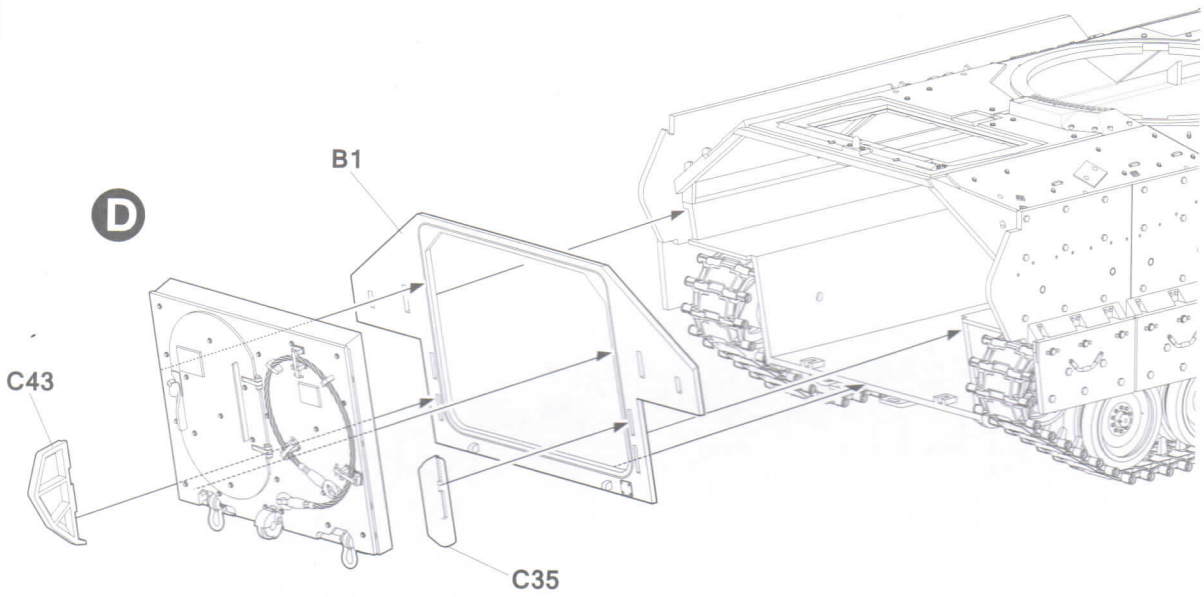
7



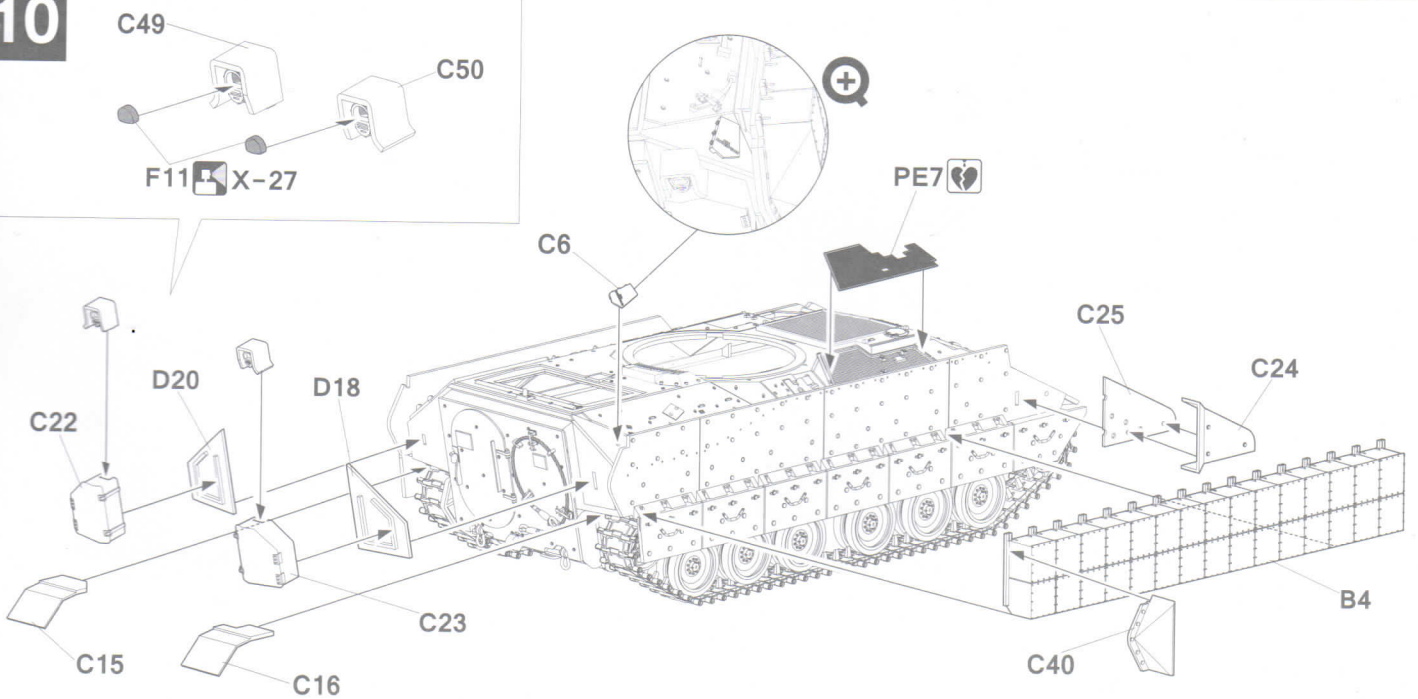
8



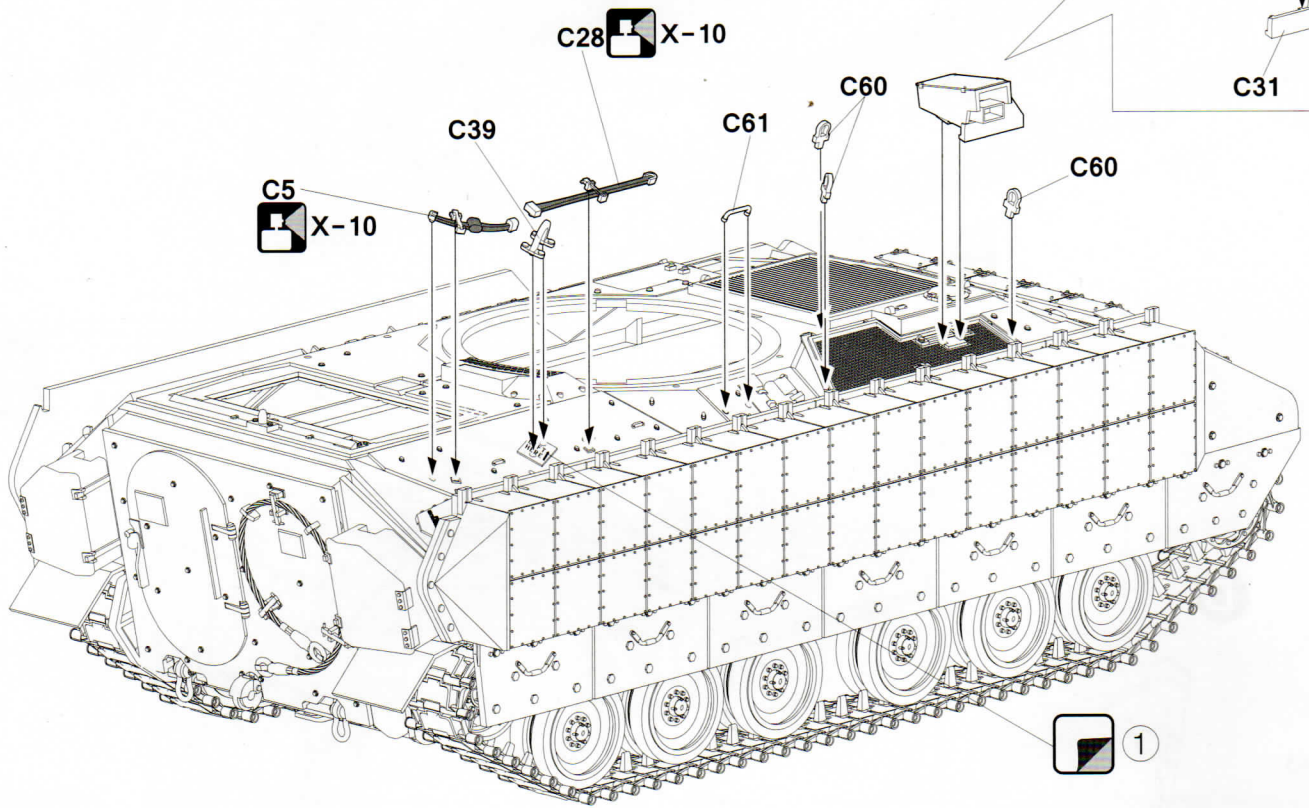
9



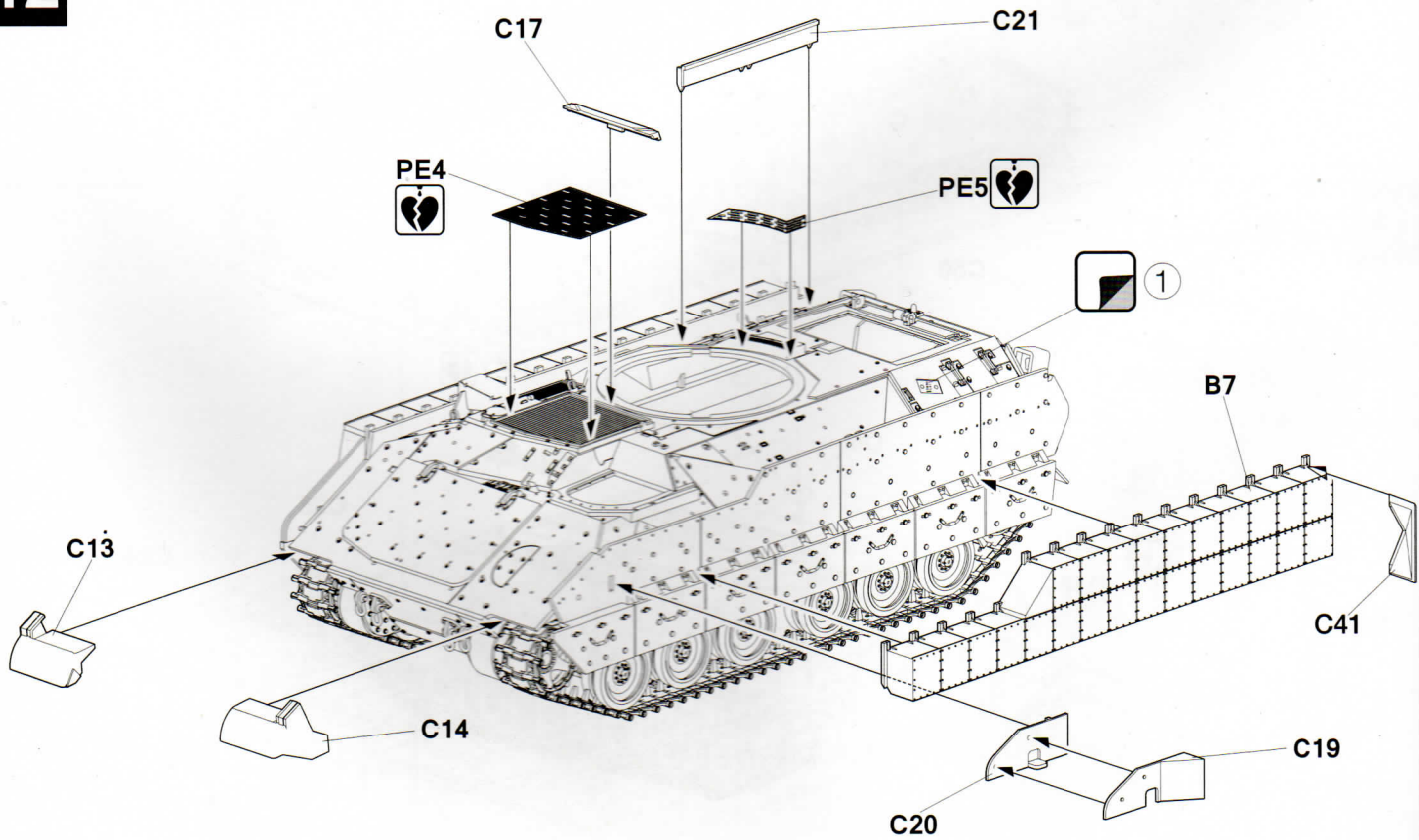
10



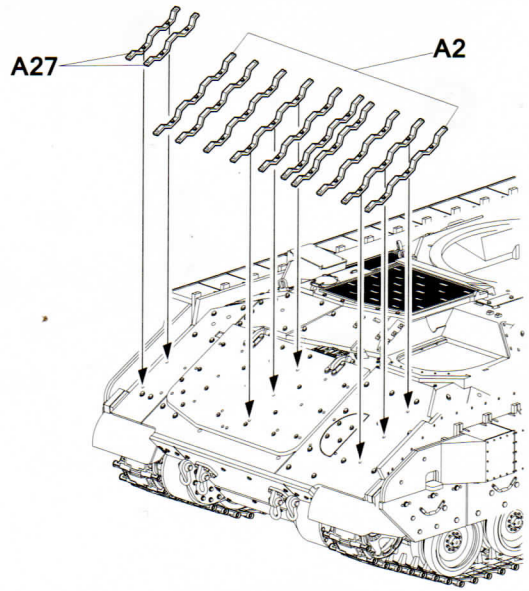
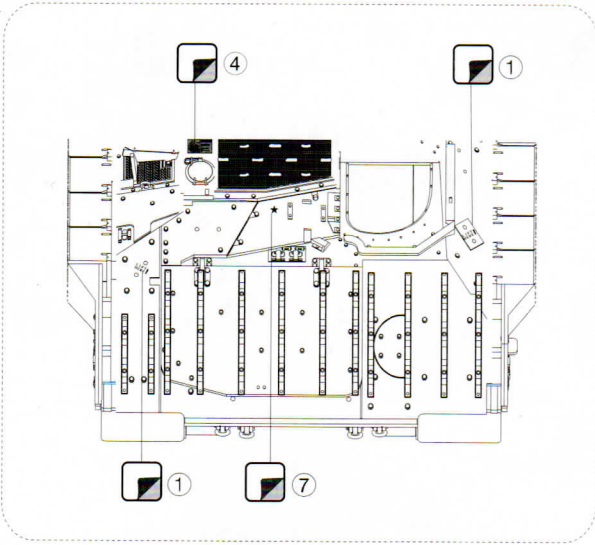
11



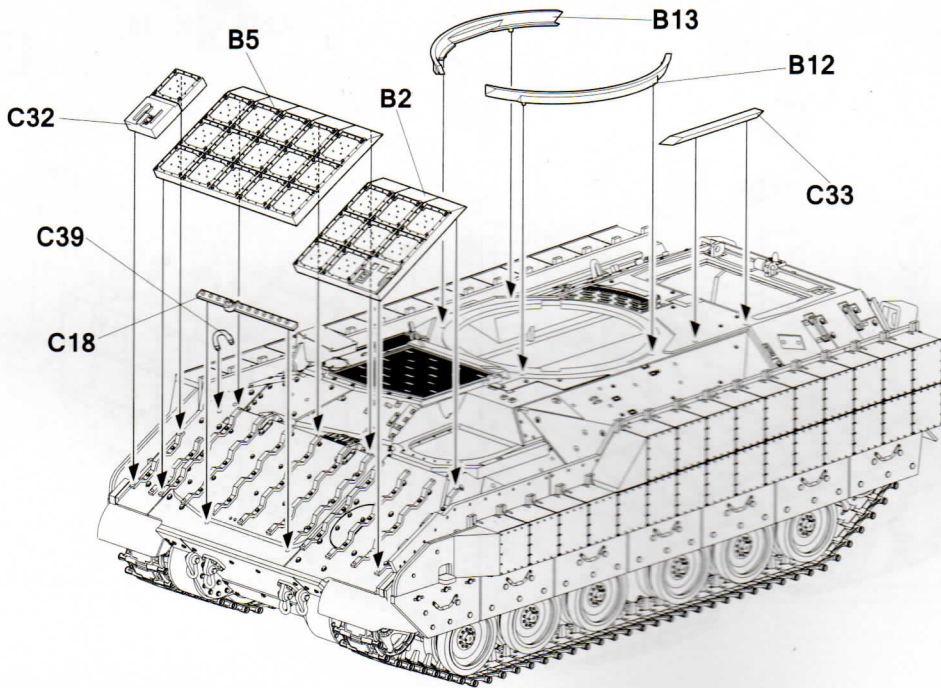
12



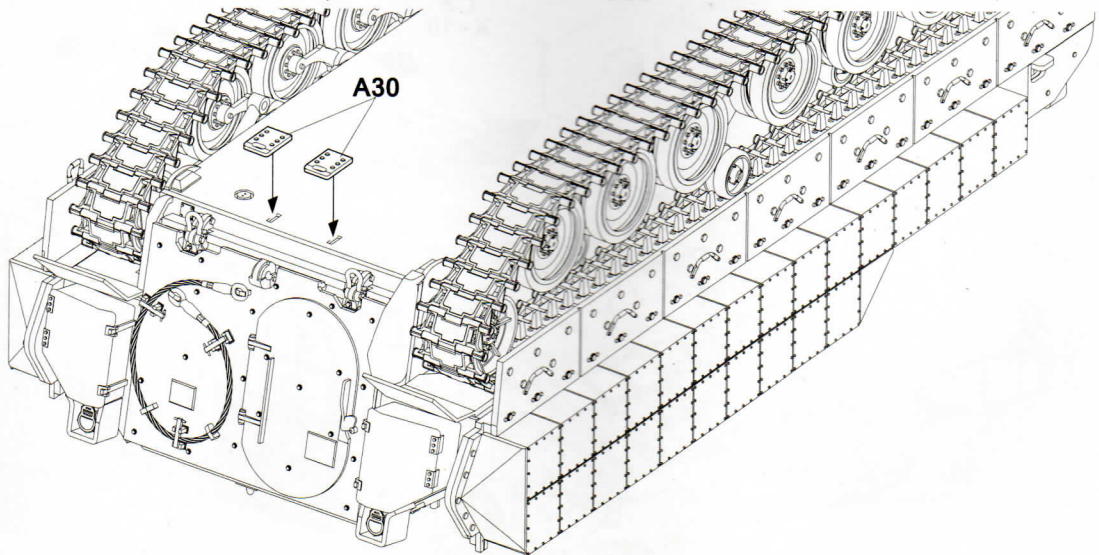
13



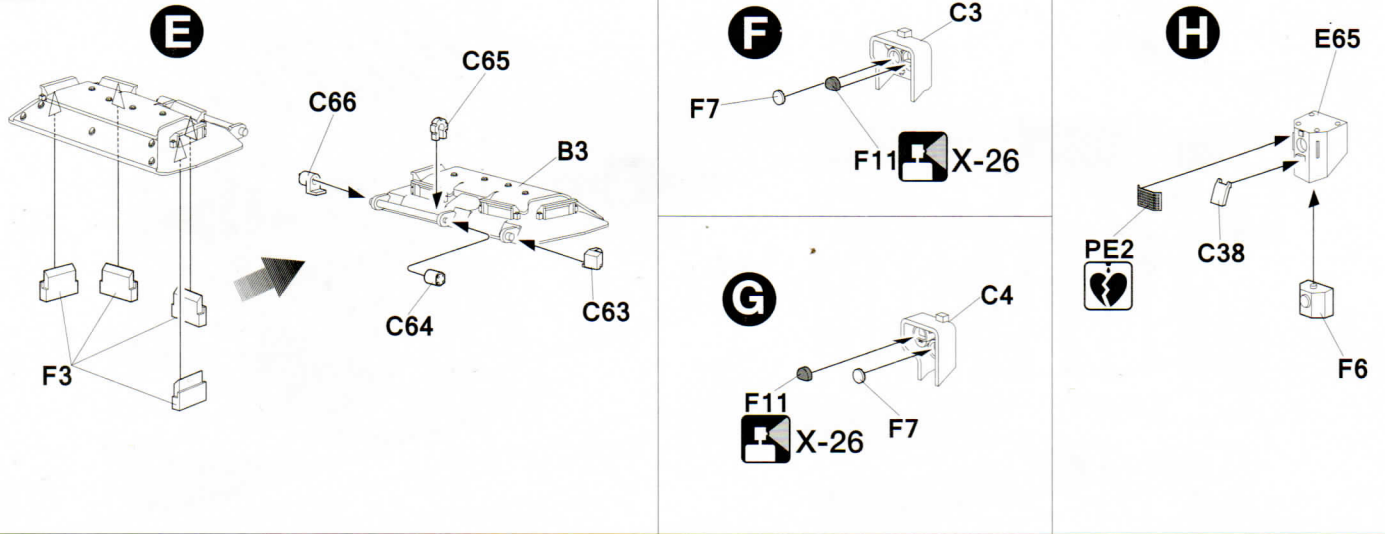
14



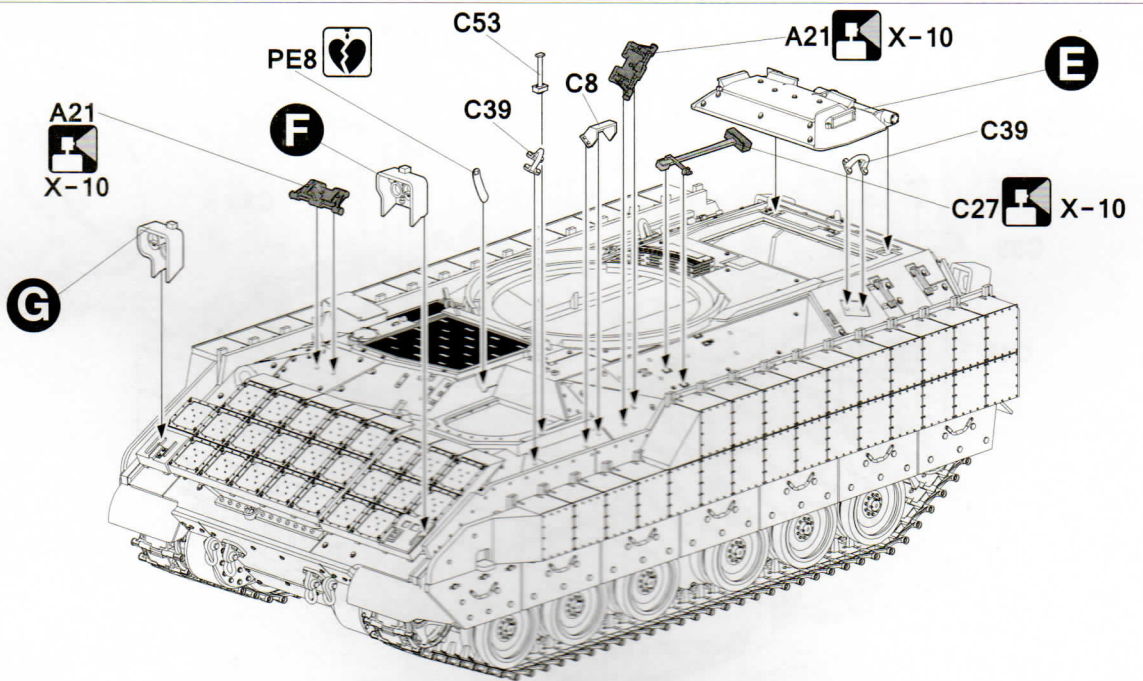
15



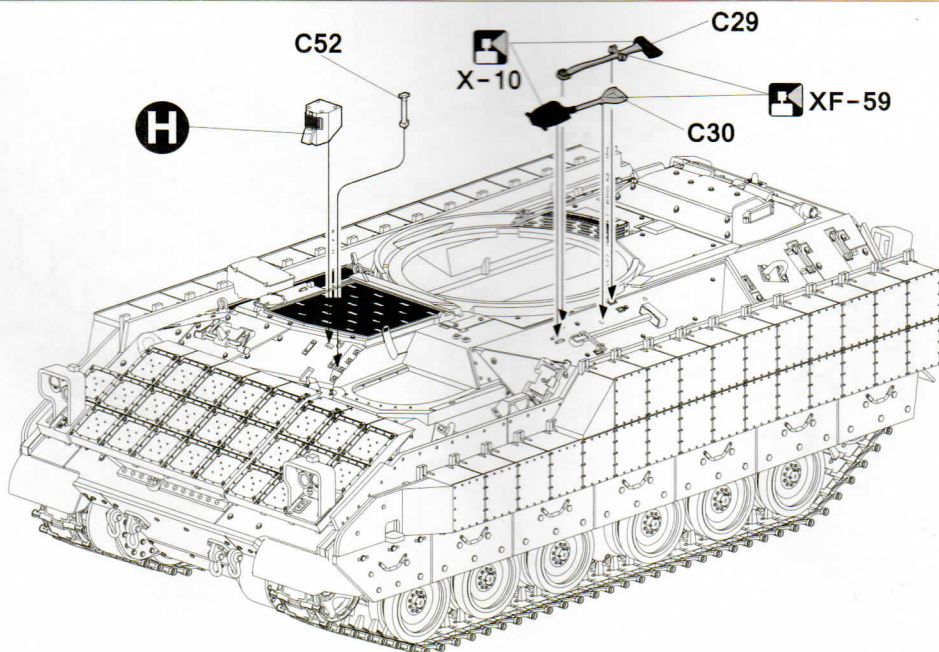
16



17

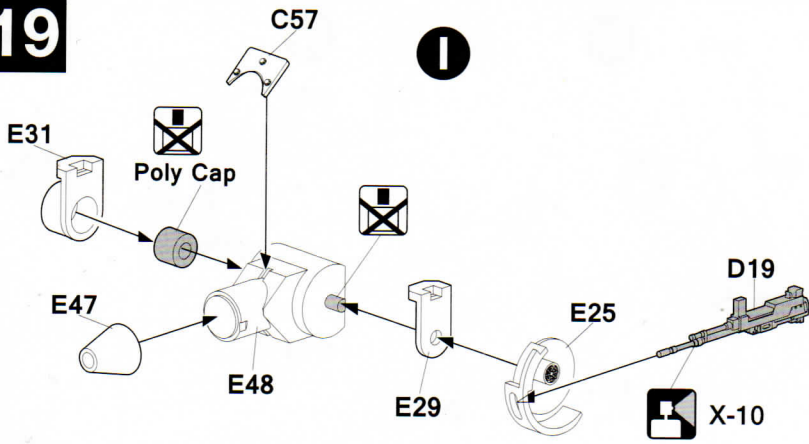


18

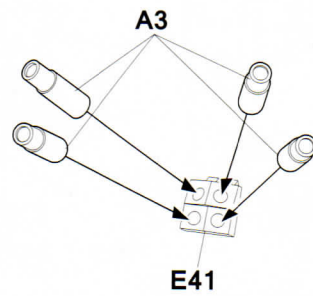


19

I

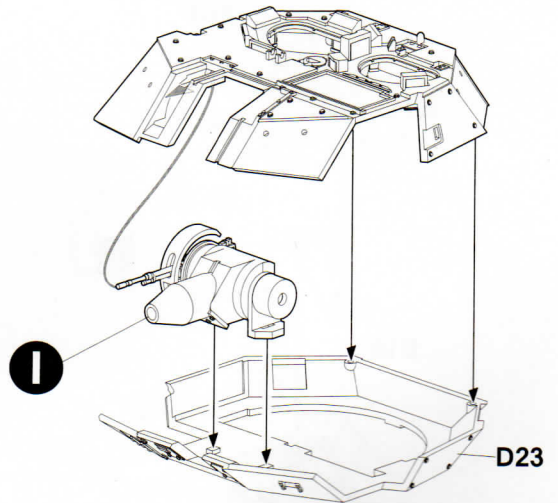
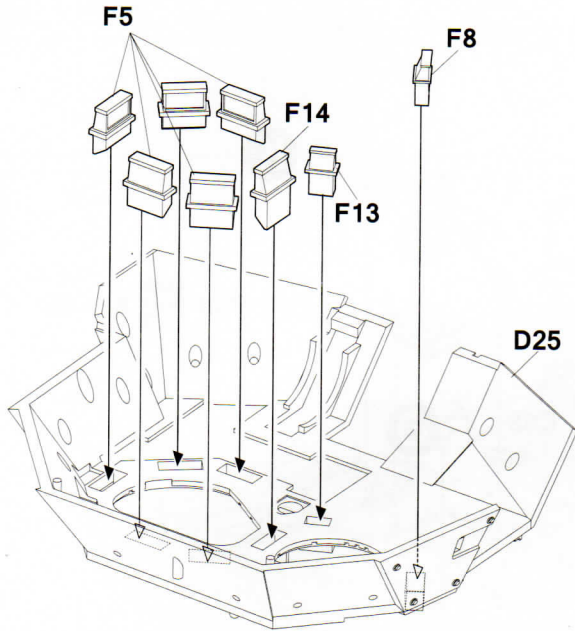


J

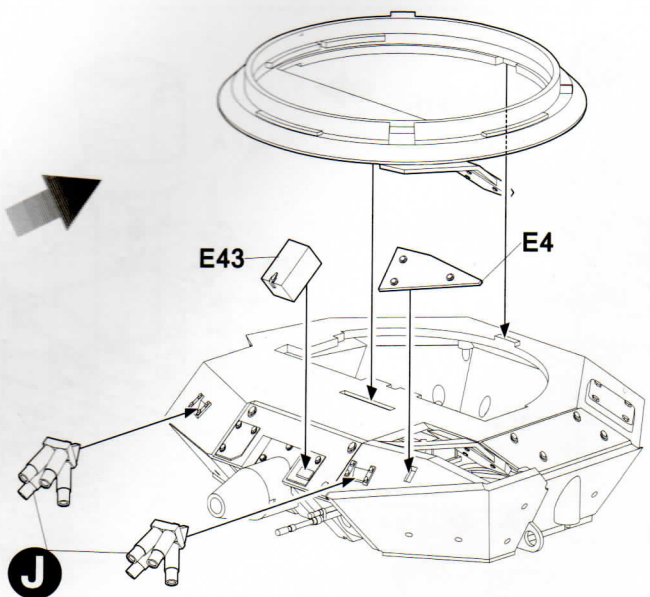
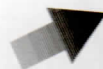
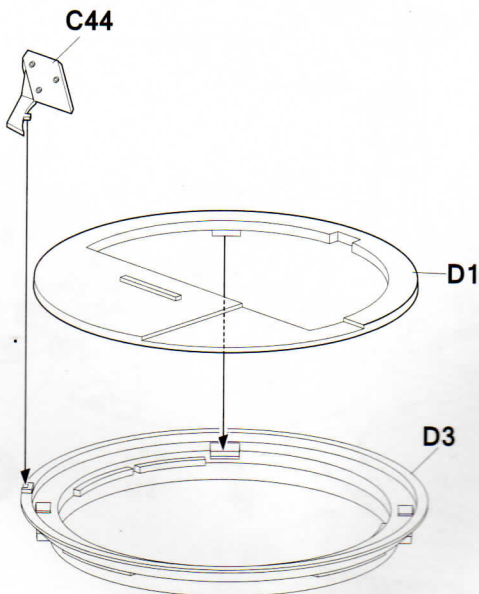


Make 2

20



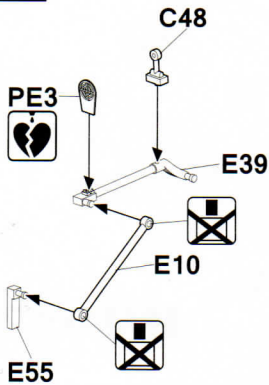
21



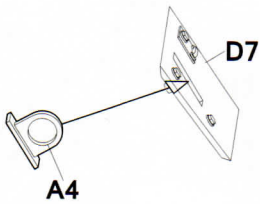
J

22

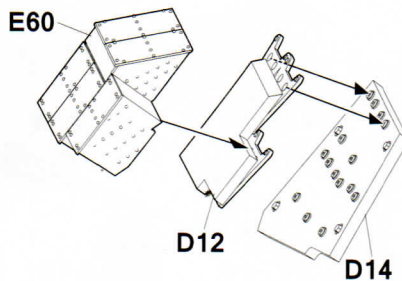
K



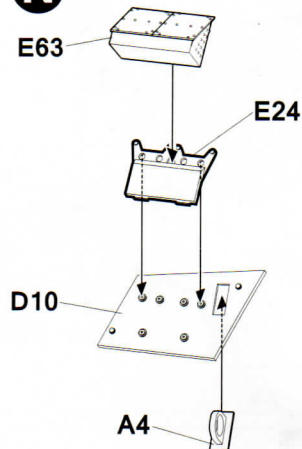
L



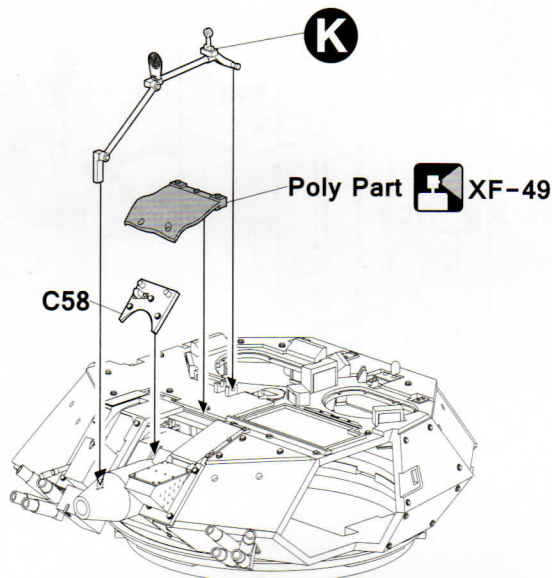
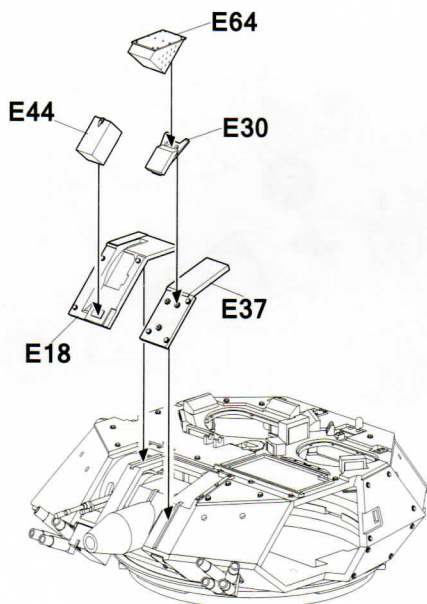
M



N

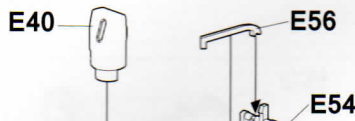


23



24

M



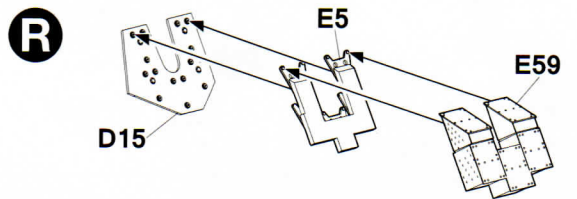
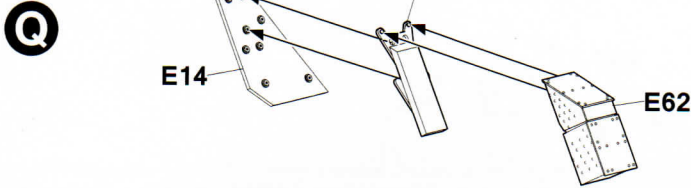
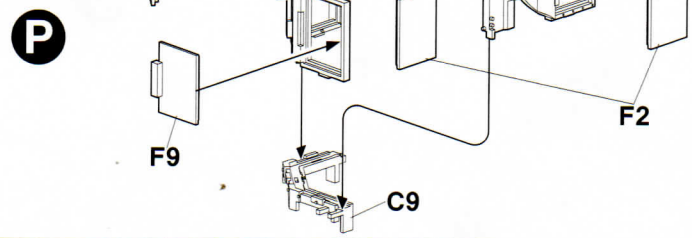
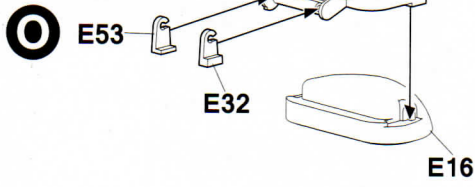
N



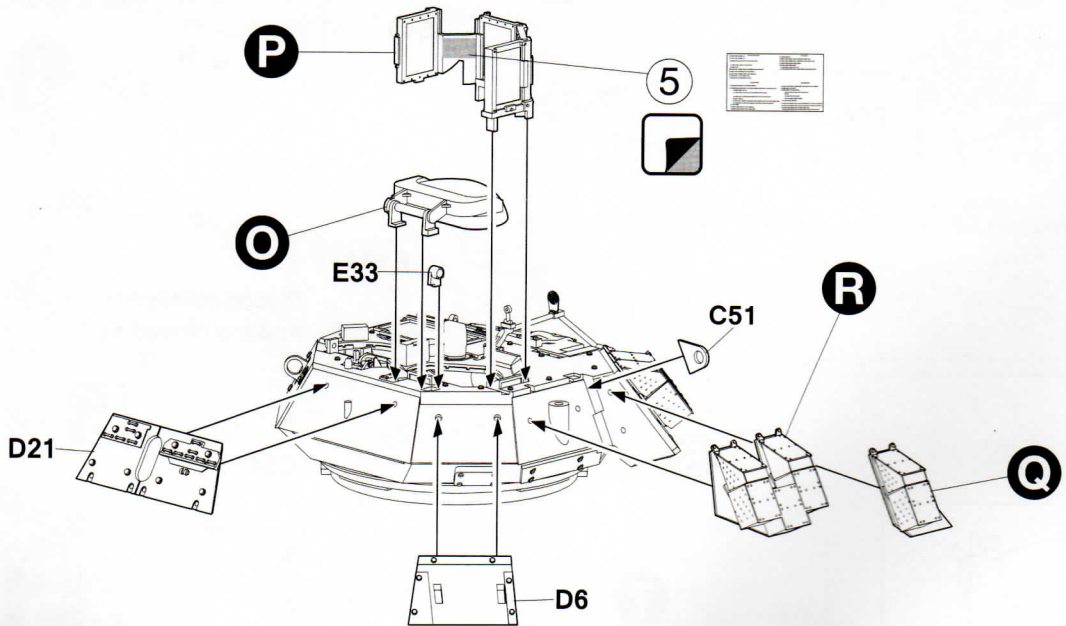
L



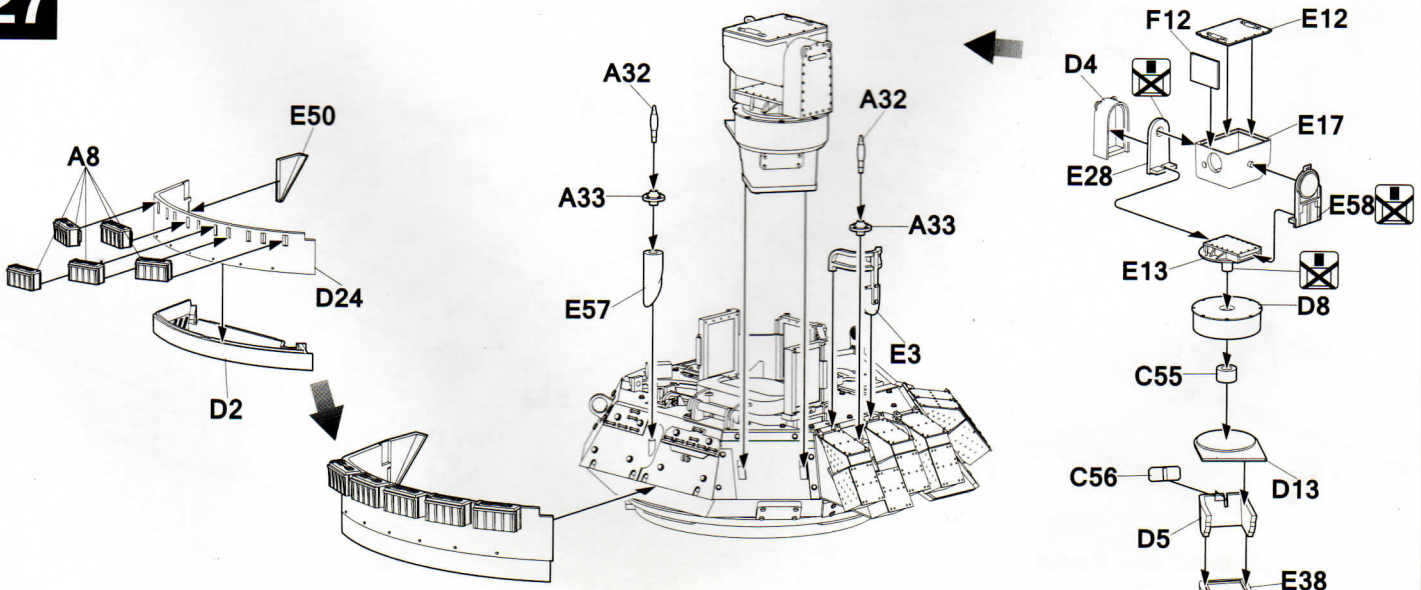
25



26

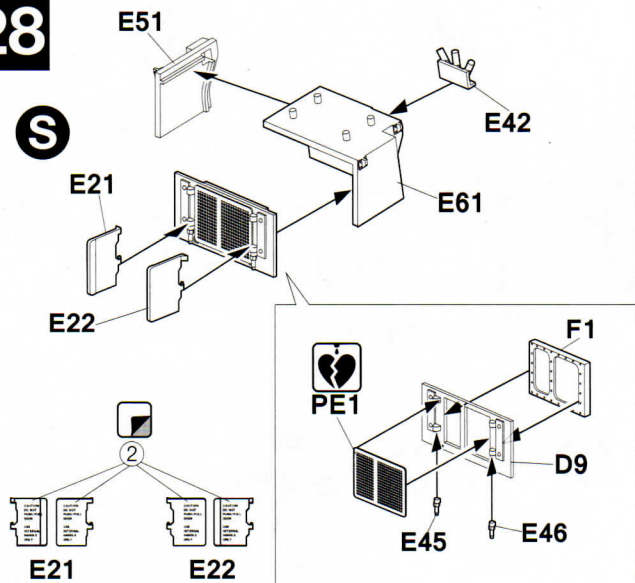


27

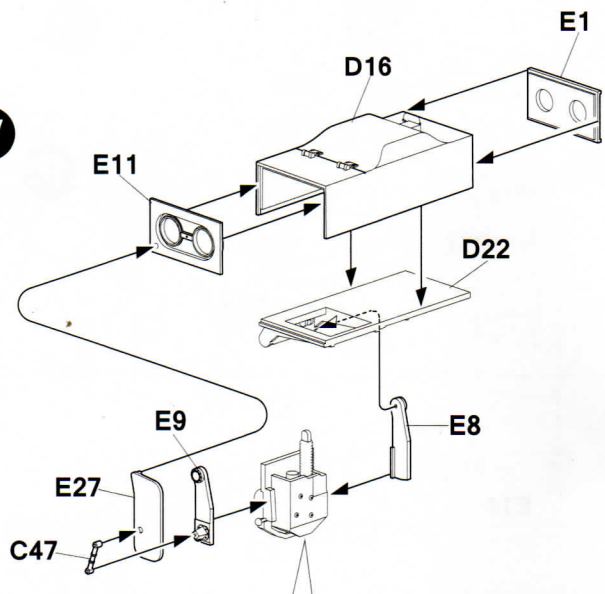


28

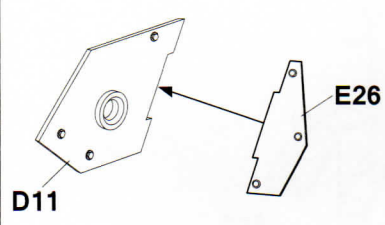
S



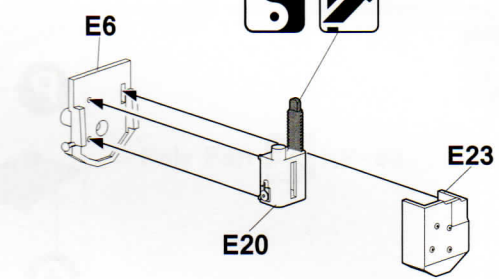
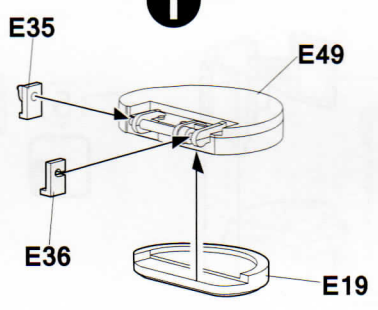
V



U

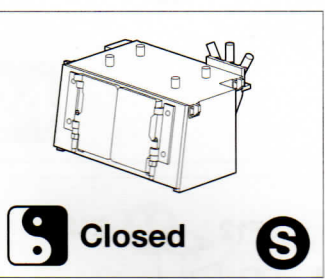


T



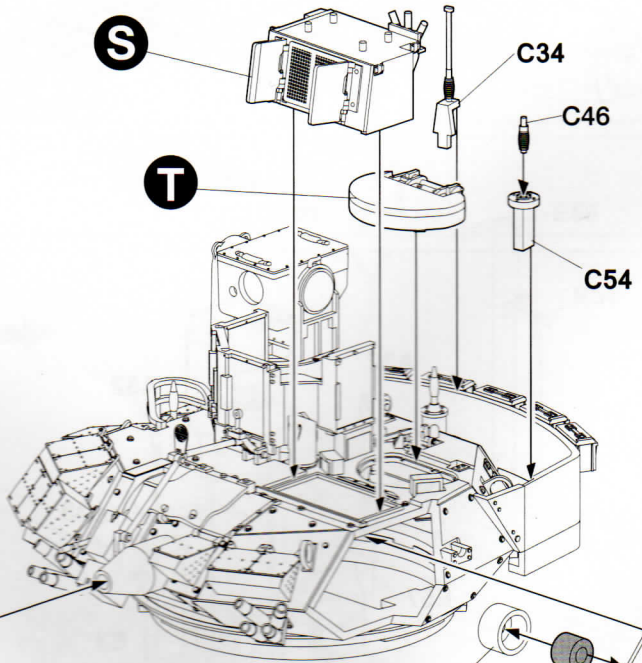
Please remove this part if you want to make a closed state.

29

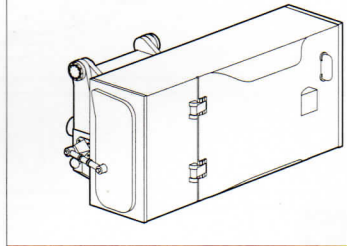


S

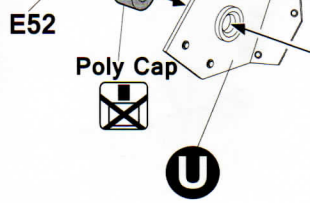
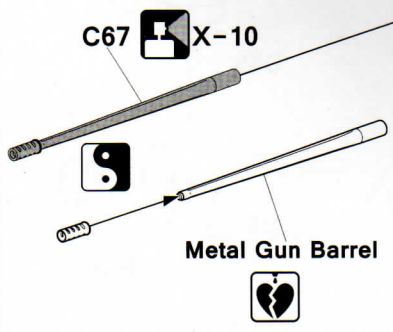
T



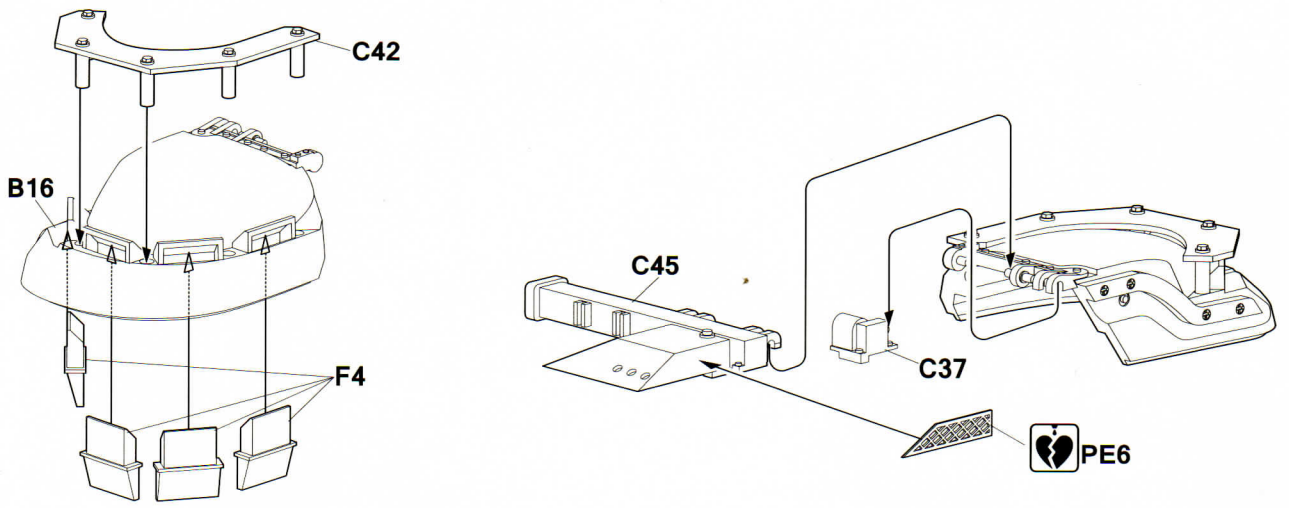
Closed



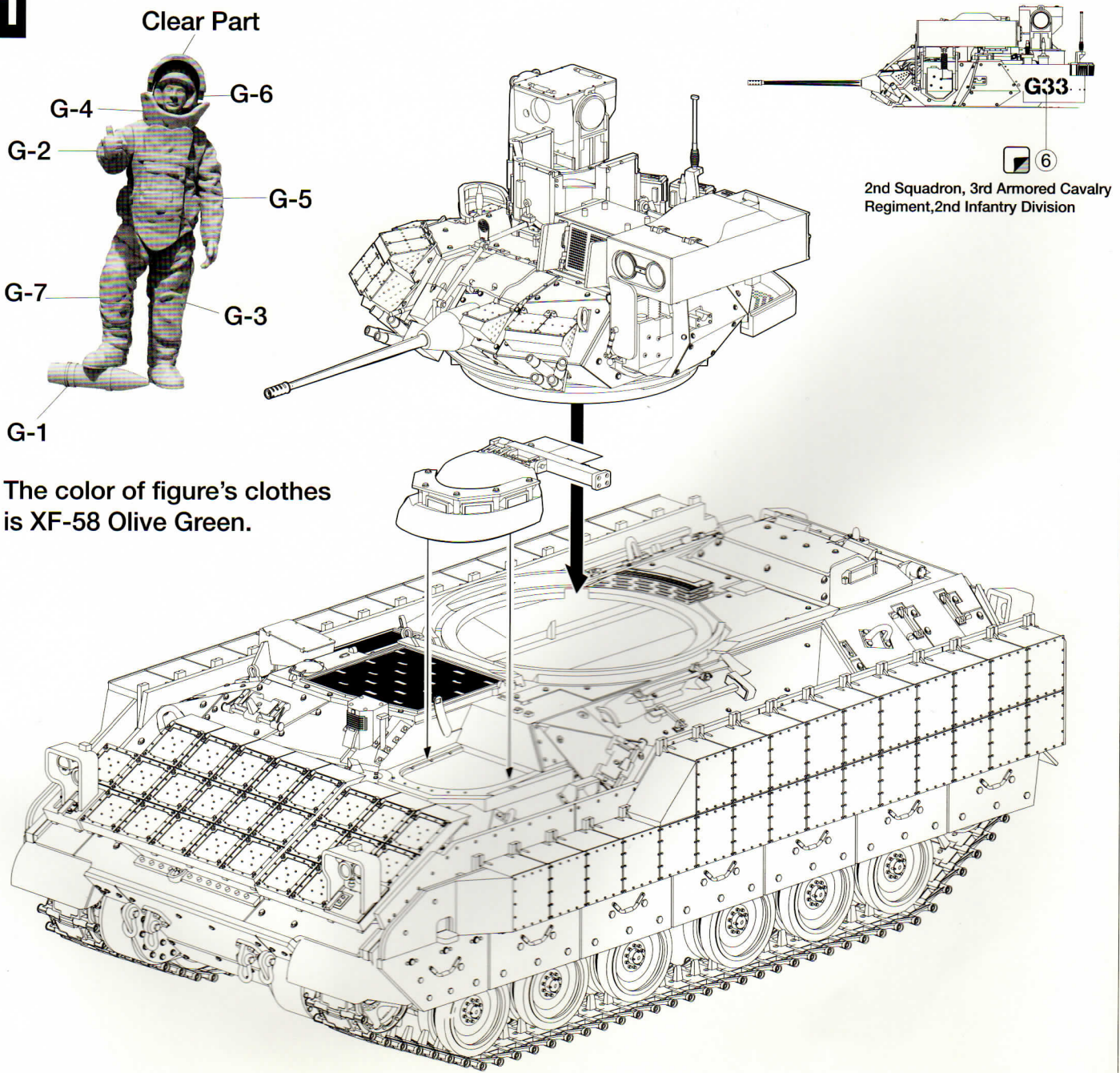
V



30



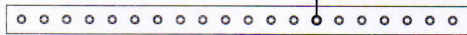
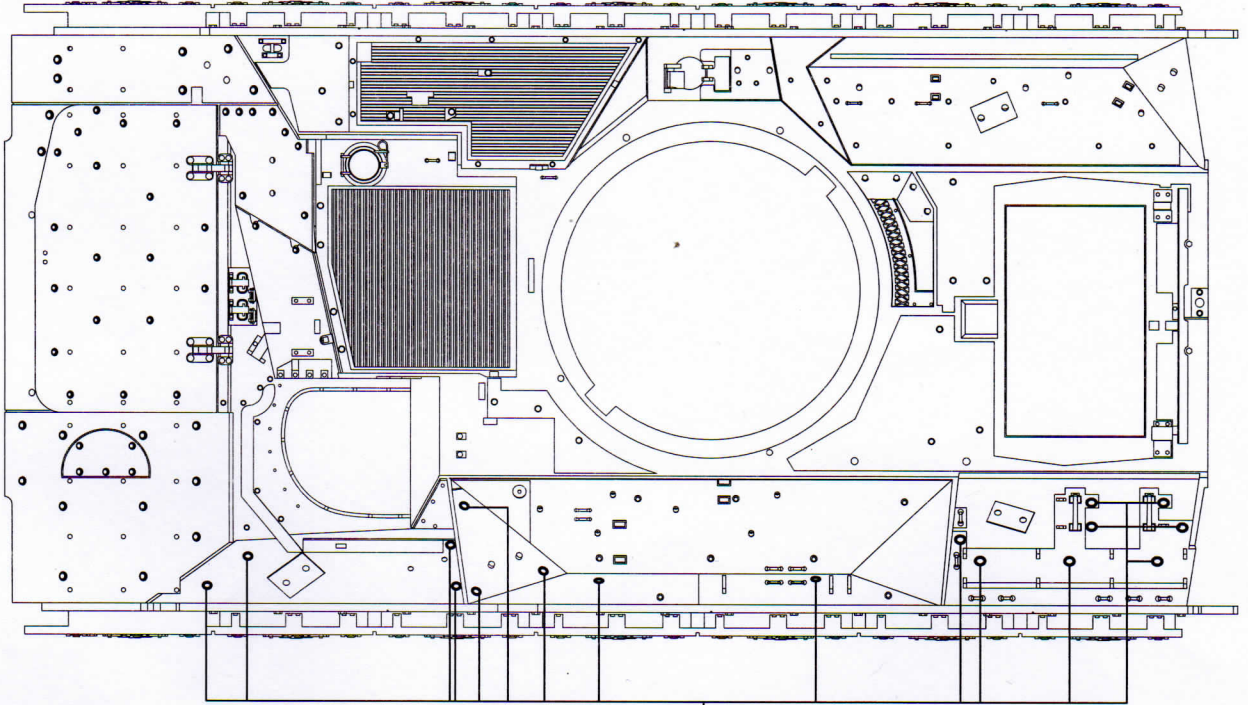
31





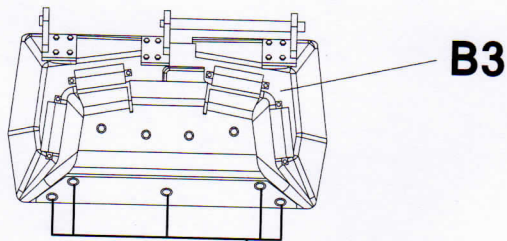
GROCHI

! READ BEFORE ASSEMBLY



! Please remove rivets from the side of sprue A

! READ BEFORE ASSEMBLY



! Please remove rivets from the side of sprue A