



BEDFORD 'OSB'

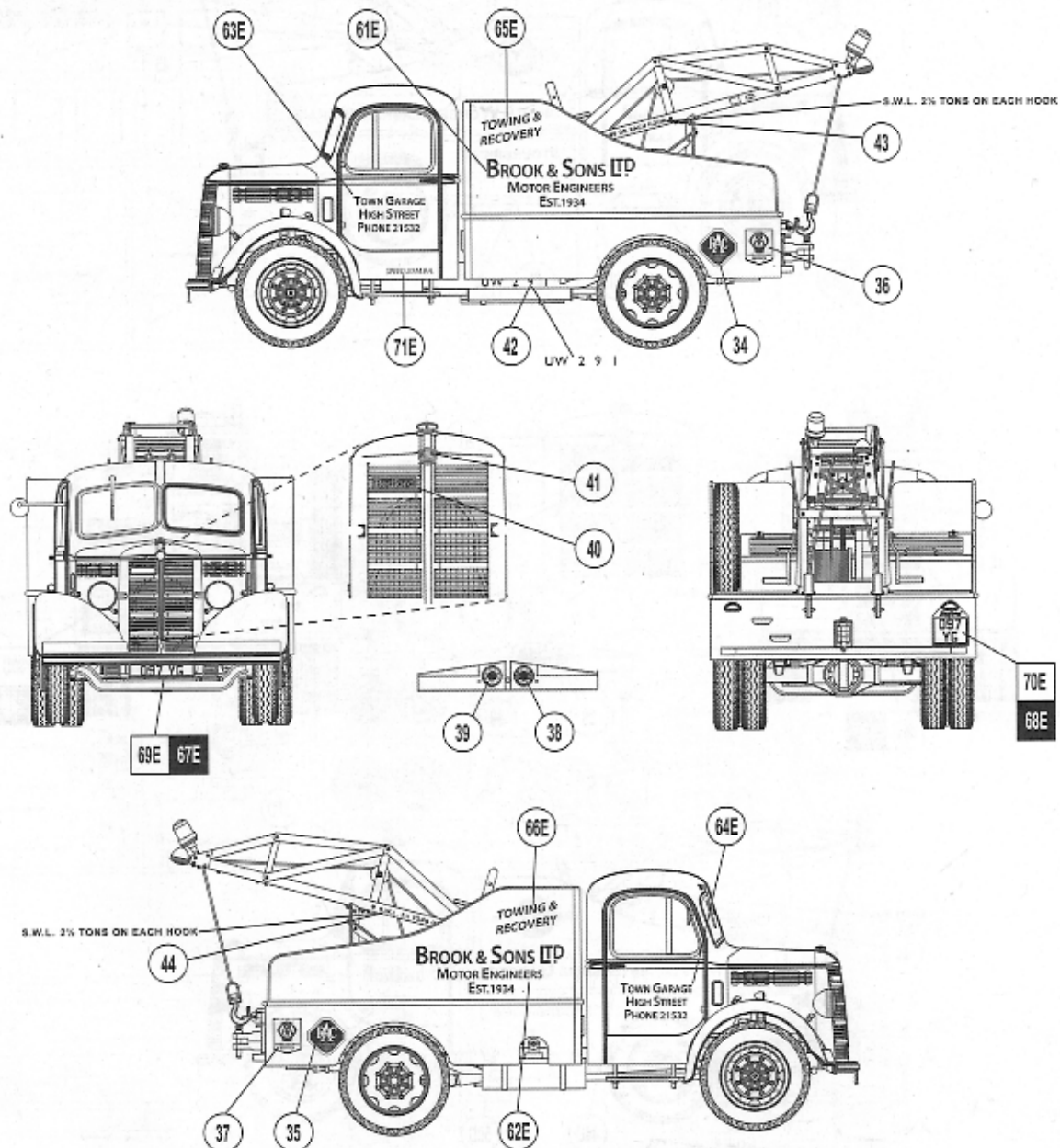
1:24

SCALE
MASSTAB
ECHELLE

SWB Recovery Truck

Brook & Sons Ltd

DECAL PLACEMENT & PAINTING GUIDE



PAINTING SUGGESTIONS USING 'HUMBROL' ENAMEL AND ACRYLIC PAINTS

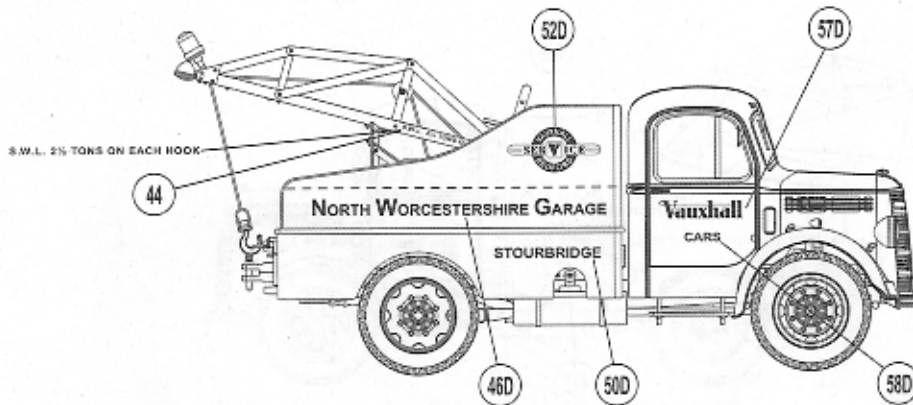
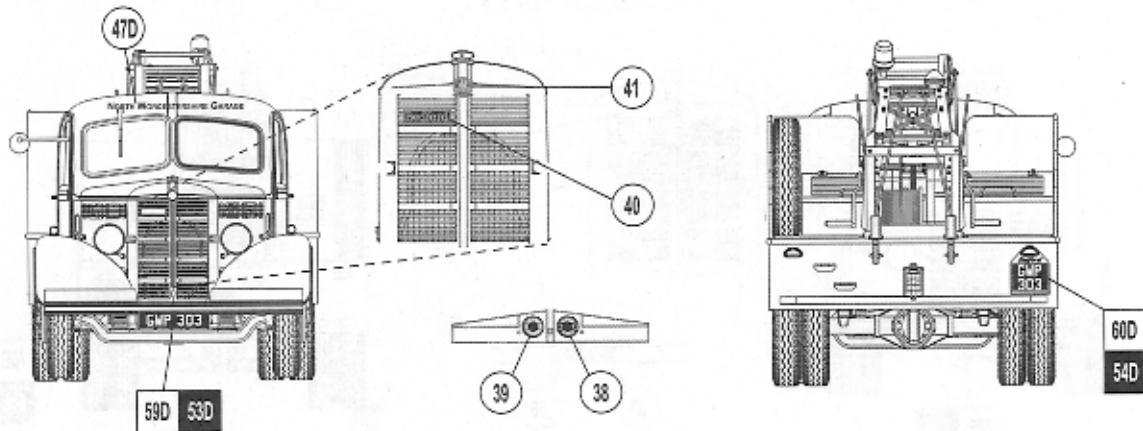
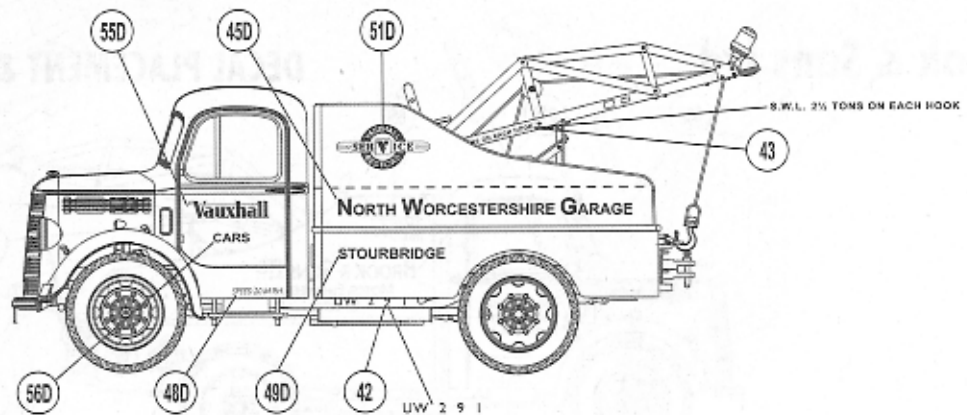
Gloss Ivory 41	Satin Coal Black 85 or Gloss Black 21	Silver 11 or Revell Silver 90	Semi-gloss Signal Red 174	Gloss Bright Red 19
Cab, bonnet, rear body, cab interior.	Chassis & running gear, axles, hubs, fuel tank, bonnet underside, cab steps, cab floor interior & underside, engine bay & engine, front wings, bumper, radiator grille, dashboard, steering wheel, wiper arm, wing mirror arm, rear number plate, crane handles, crane lamp, fittings.	Door handles, mirror, exhaust, radiator filler cap, thick radiator grille bars, vertical radiator grille bar, recovery body floor, towing jaw, hooks, rear steps.	Crane.	Wheels, rear lights.
			Tan 118	Matt Natural Wood 110
			Seats.	Tool box.

Correspondence requiring a reply should be accompanied by a stamped addressed envelope, or by four IRCs (postal International Reply Coupons). Any request for replacement of defective parts should be accompanied by the defective part.

POCKETBOND LTD, P.O. BOX 80, WELWYN, HERTS AL6 0ND, ENGLAND. FAX 01707 327466. info@pocketbond.co.uk © Copyright Pocketbond Ltd 2012

North Worcestershire Garage

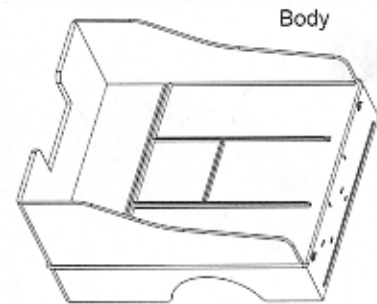
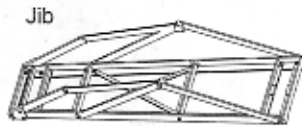
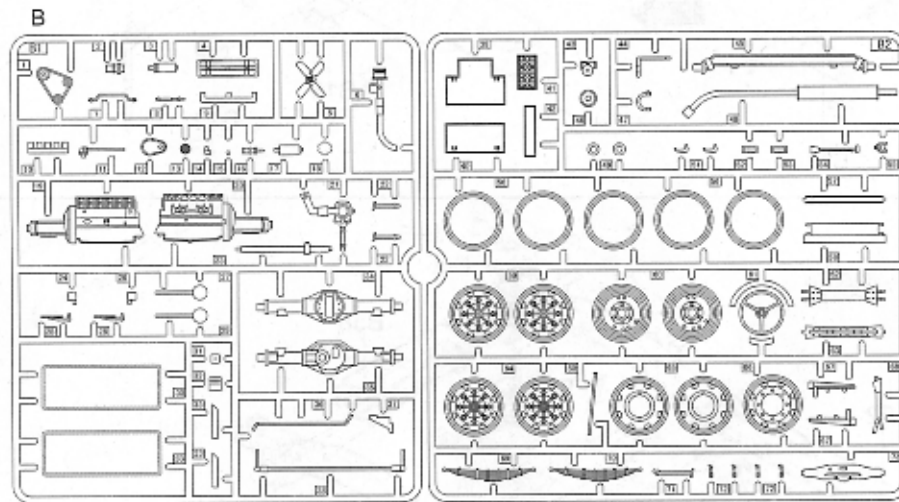
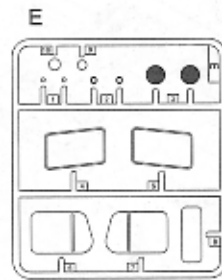
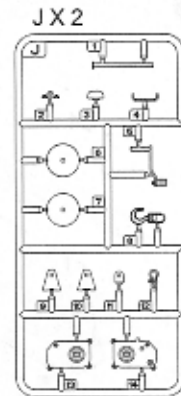
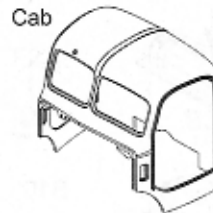
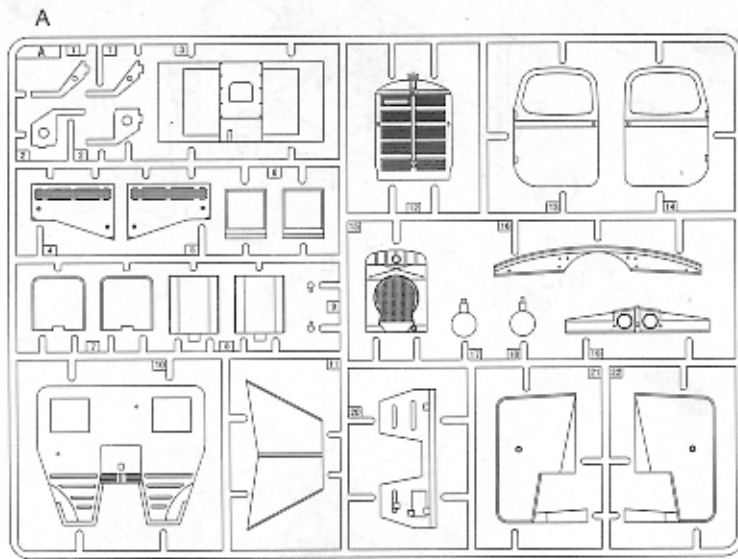
DECAL PLACEMENT & PAINTING GUIDE



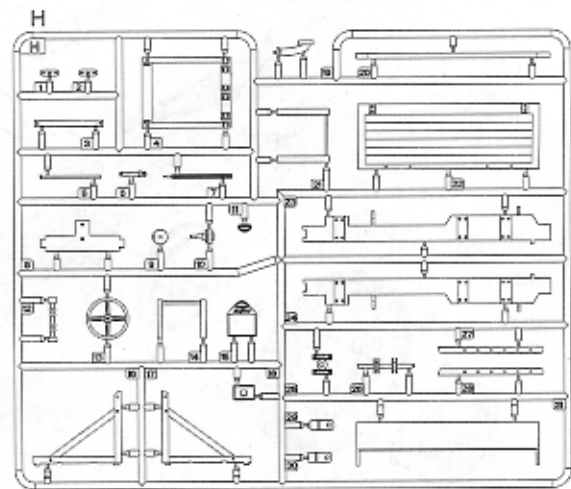
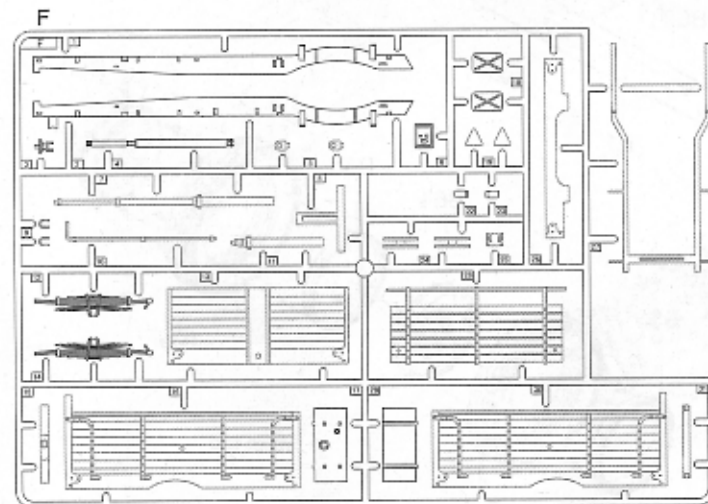
PAINTING SUGGESTIONS USING 'HUMBROL' ENAMEL AND ACRYLIC PAINTS

Gloss Ivory 41 above dashed line	Satin Coal Black 85 or Gloss Black 21	Silver 11 or Revell Silver 90	Semi-gloss Signal Red 174	Gloss Bright Red 19
Cab upper, bonnet top, upper rear body, cab interior, radiator header.	Chassis & running gear, axles, hubs, fuel tank, bonnet underside, cab steps, cab floor interior & underside,	Door handles, mirror, exhaust, radiator filler cap, thick radiator grille bars, vertical radiator grille bar, recovery body floor, towing jaw, hooks, rear steps.	Crane.	Wheels, rear lights.
Gloss Crimson 20	engine bay & engine, front wings, bumper, radiator grille, dashboard, steering wheel, wiper arm, wing mirror arm, rear number plate, crane handles, crane lamp, fittings.		Tan 118	Matt Natural Wood 110
Cab lower, bonnet sides, lower rear body.			Seats.	Tool box.

Frames

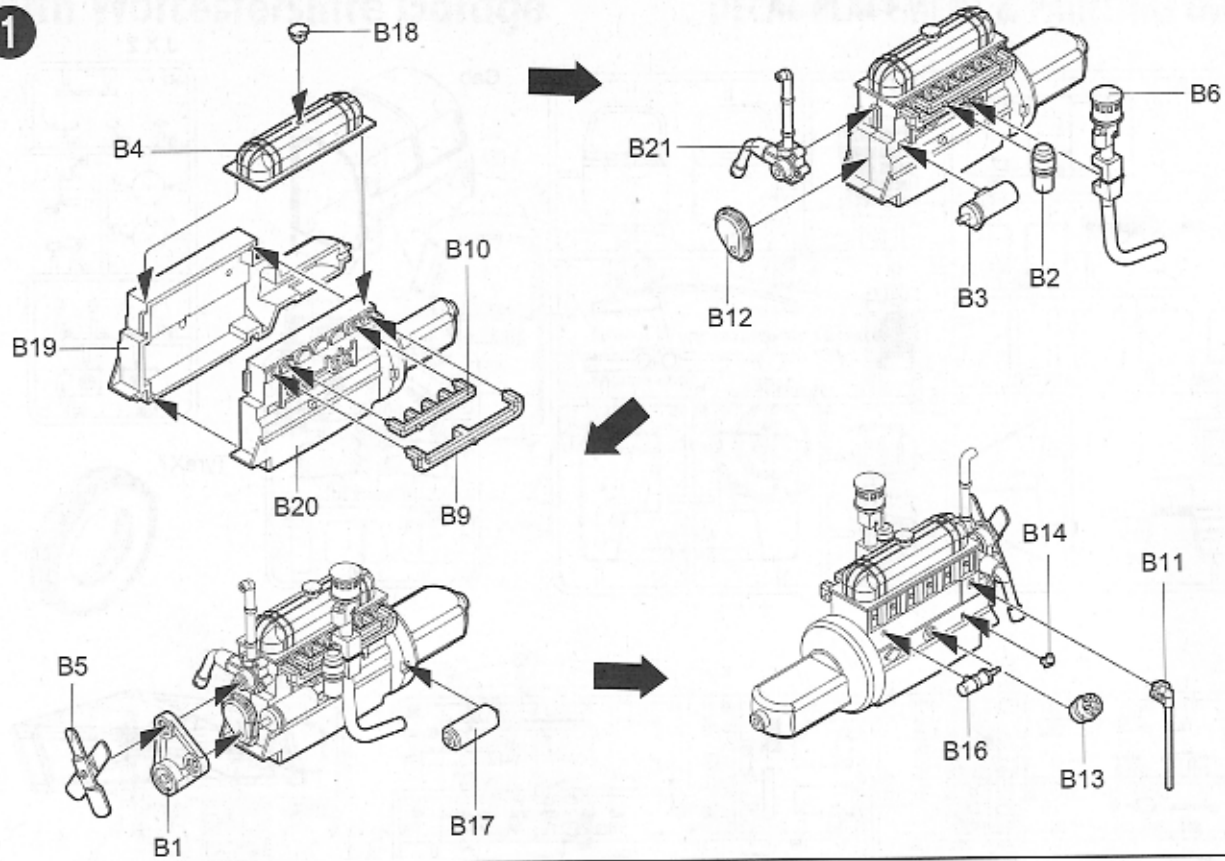


Rope Ø0.6X3.0m Decal sheet

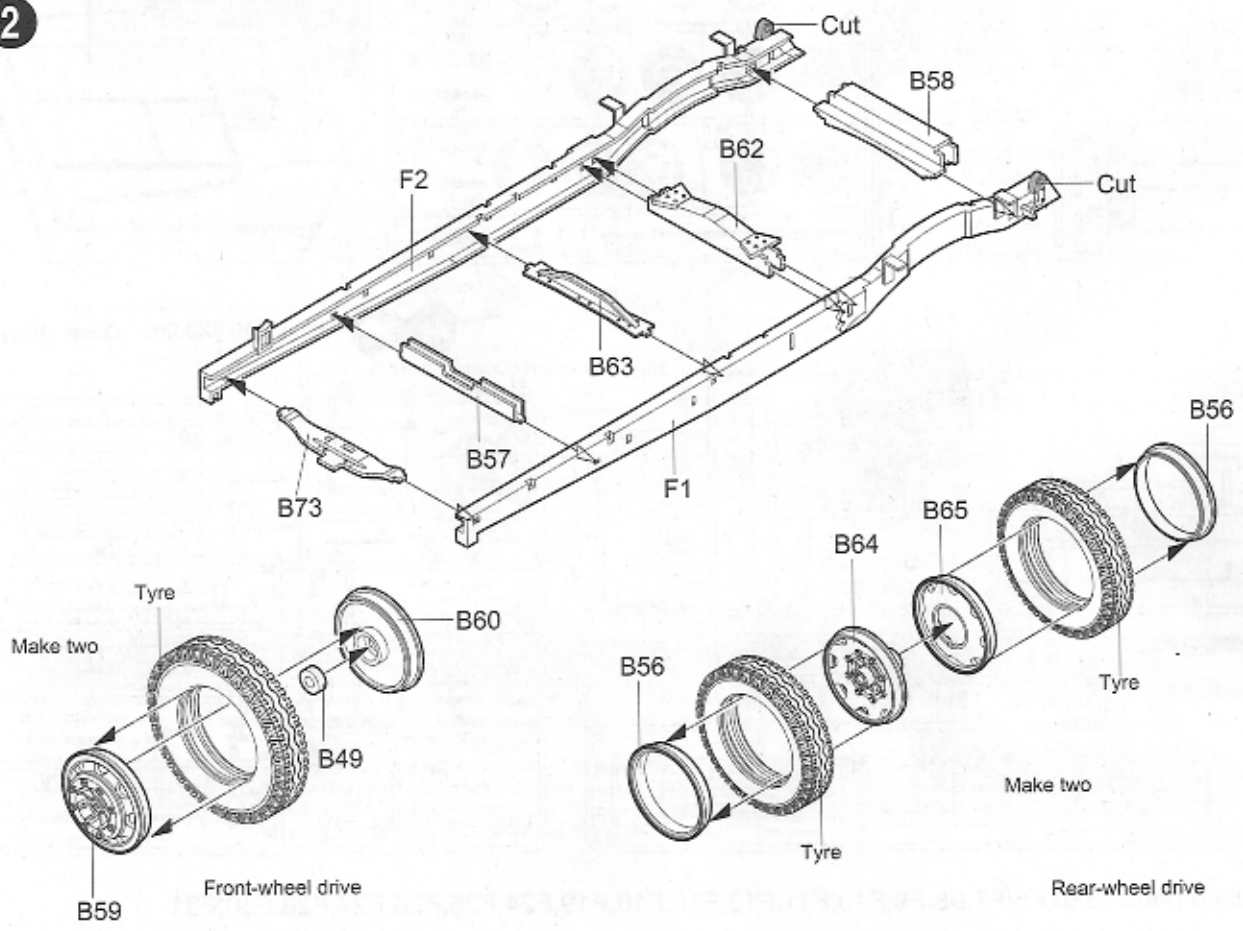


Unused parts : B30,F5,F7,F8,F9,F10,F11,F13,F15,F16,F19,F24,F25,F26,F27,F28,F30,F31

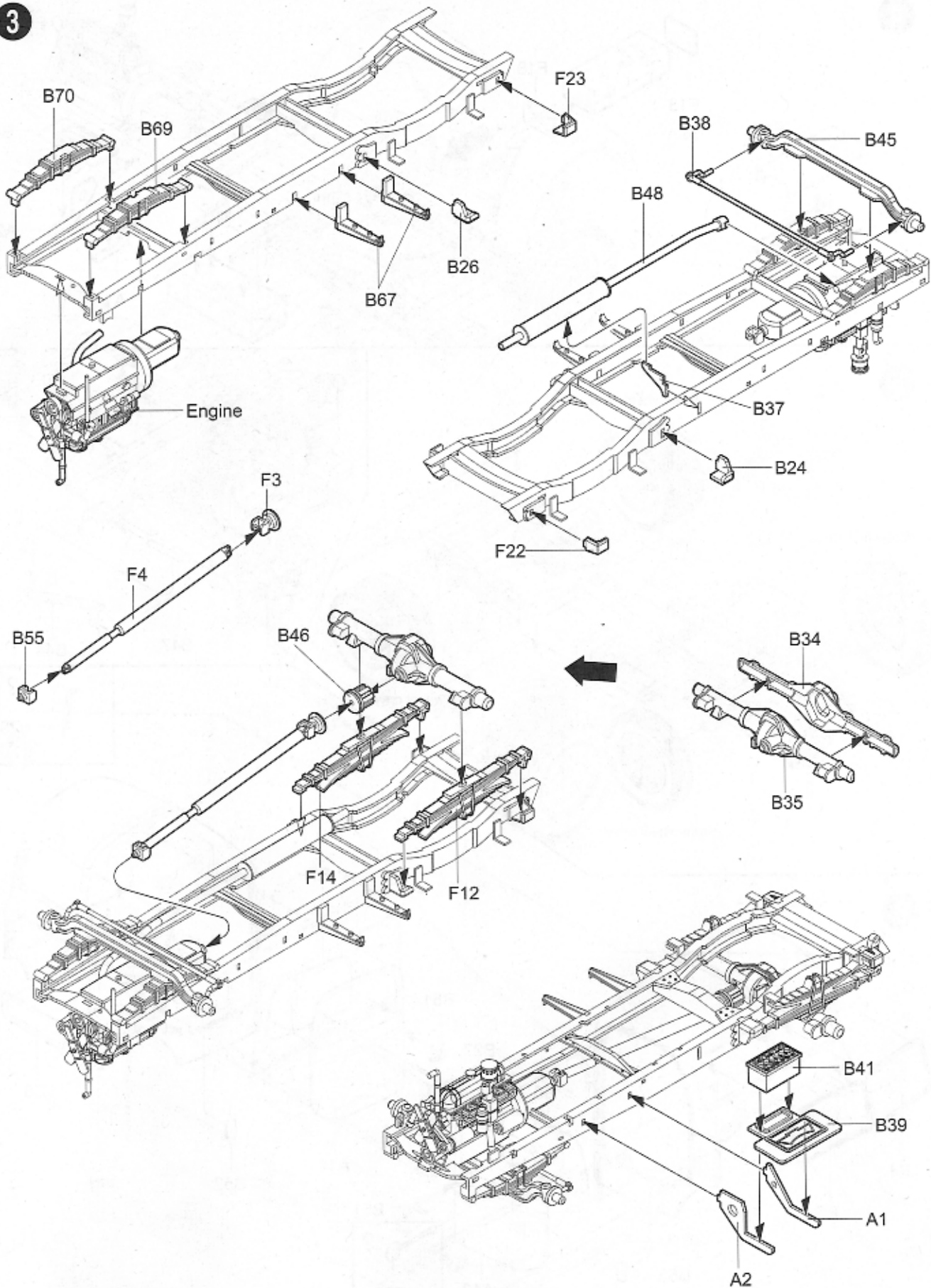
1

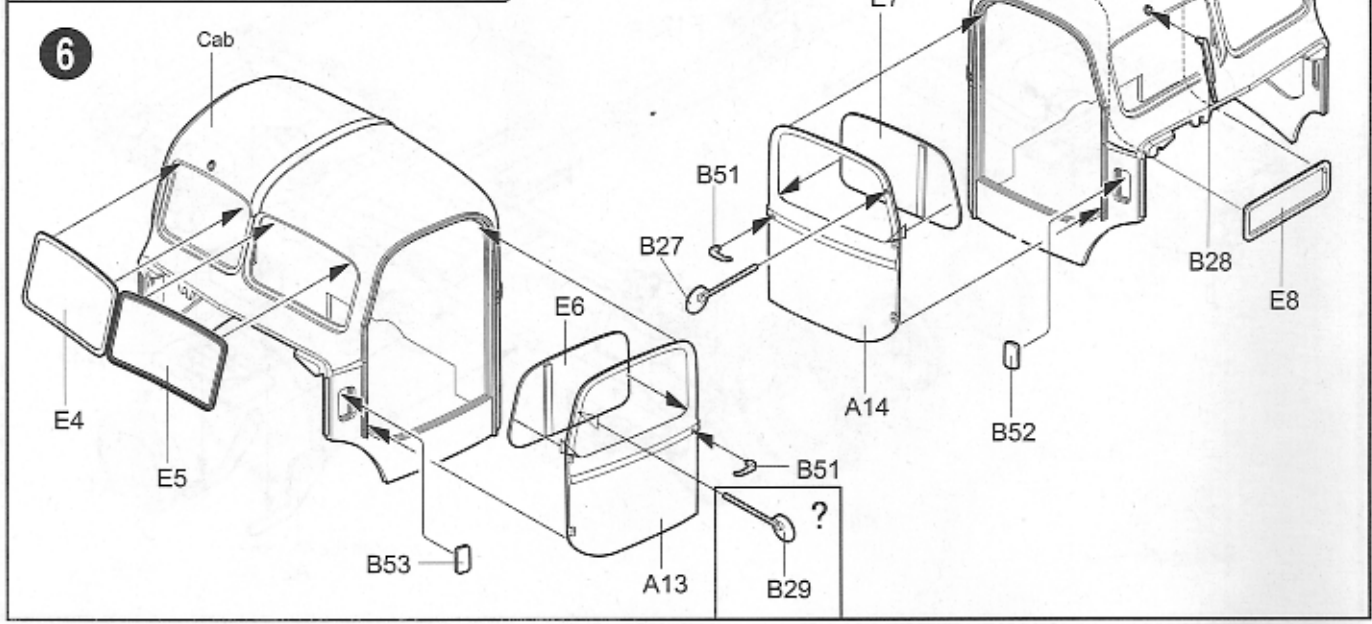
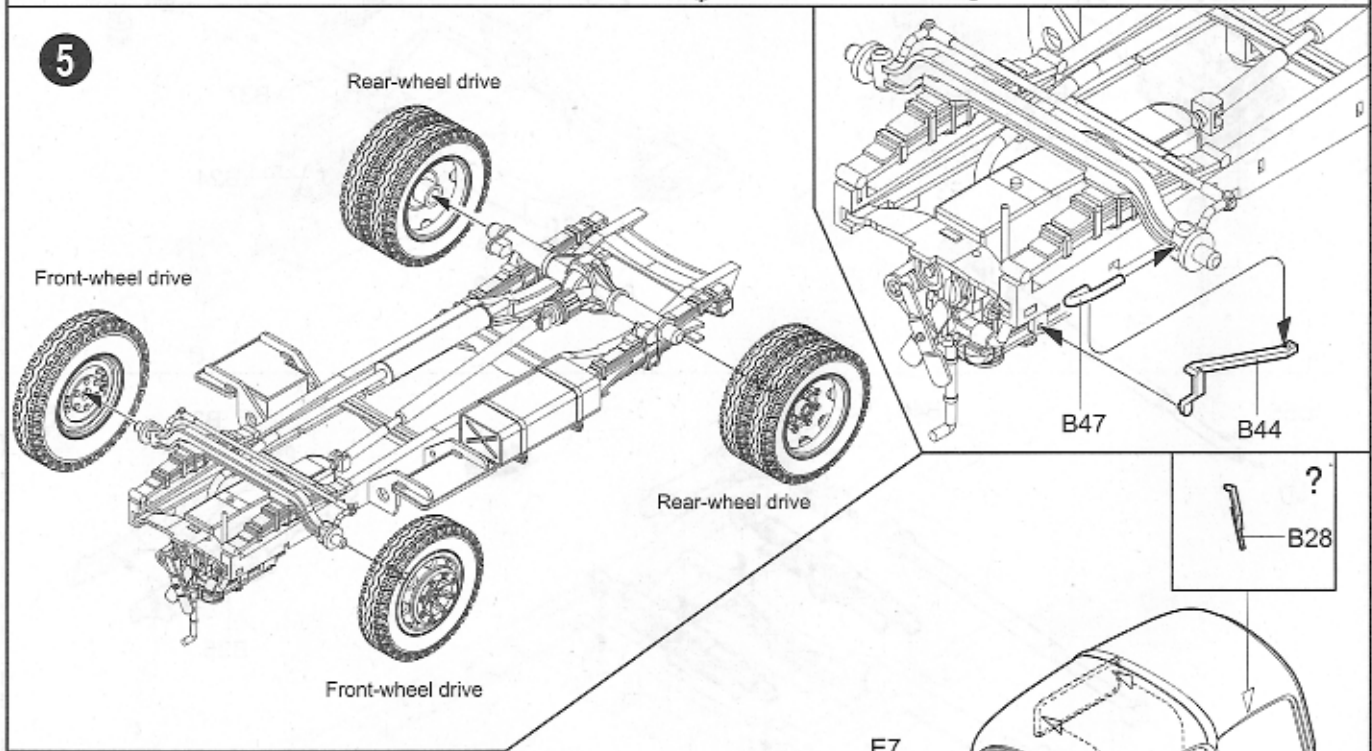
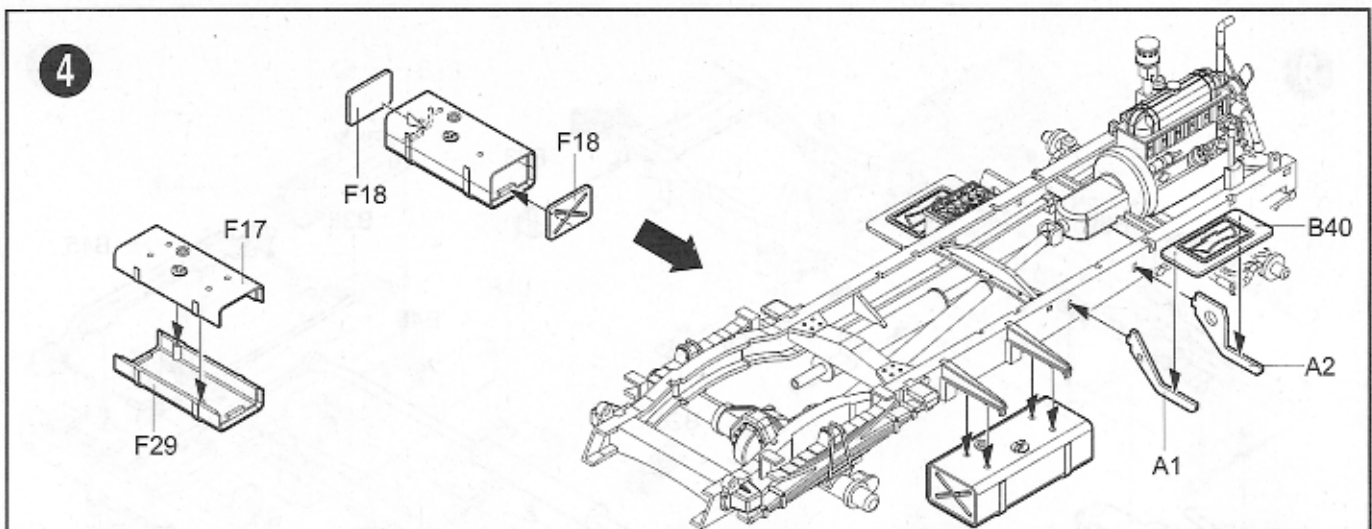


2

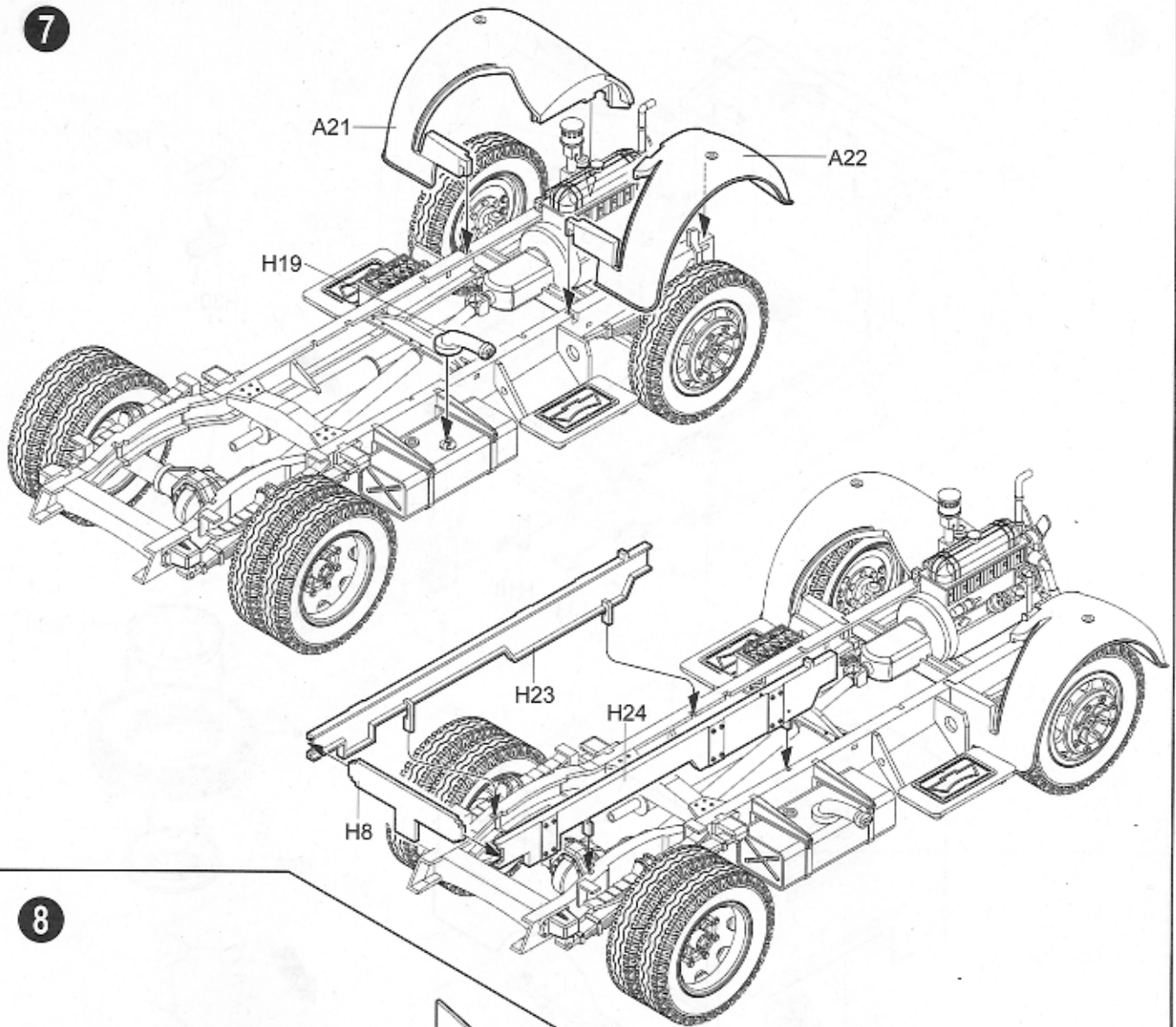


3

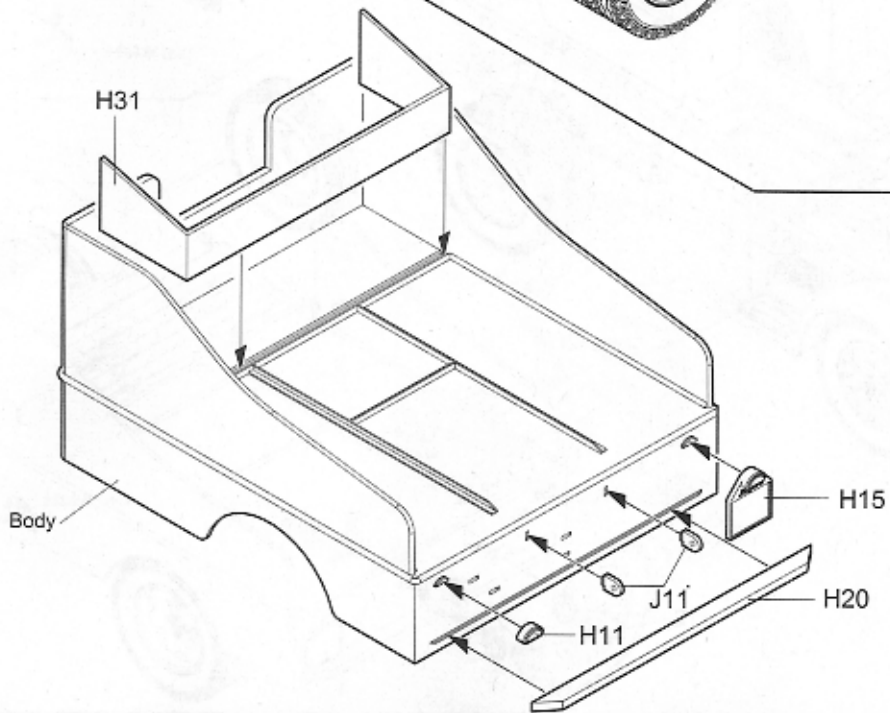




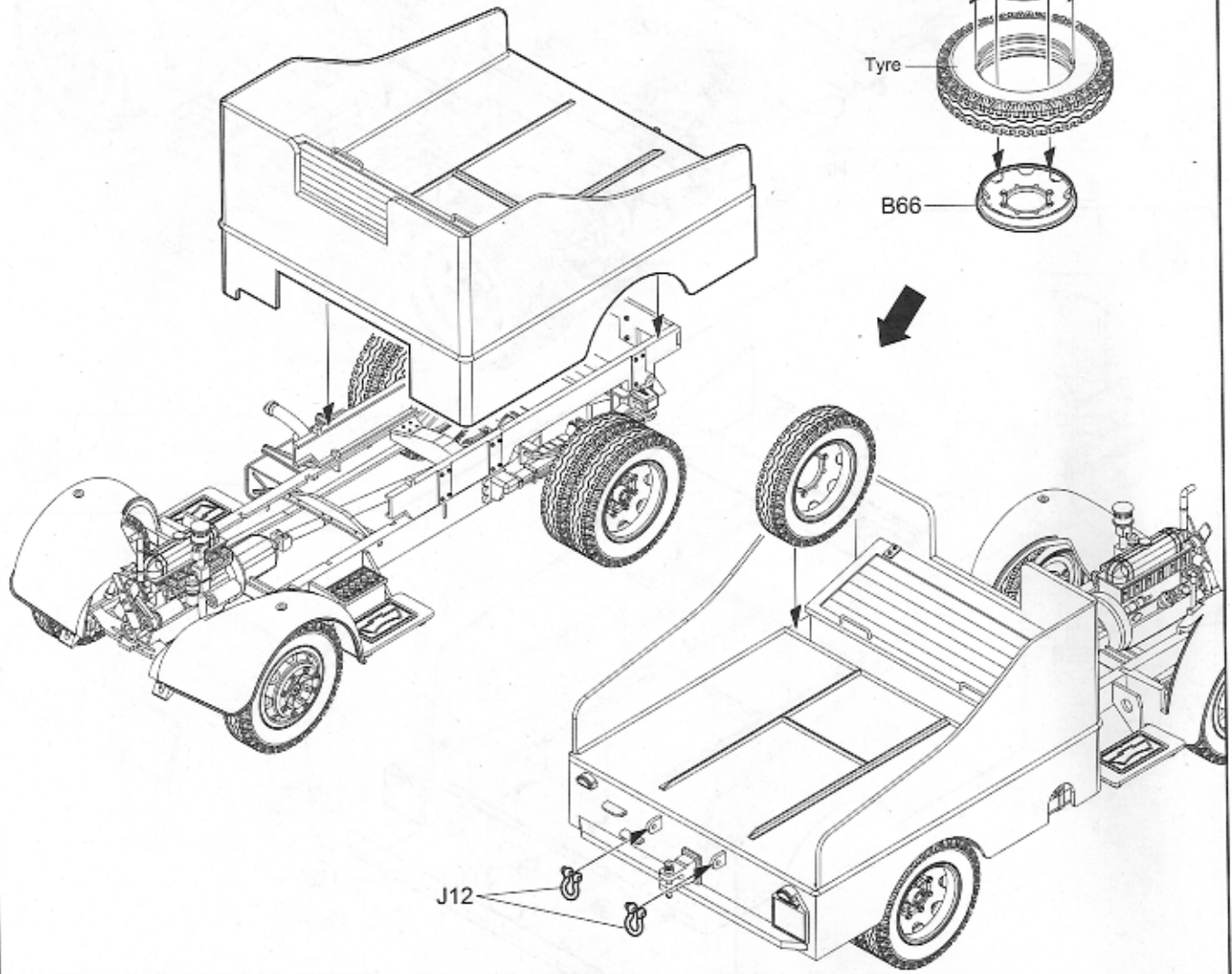
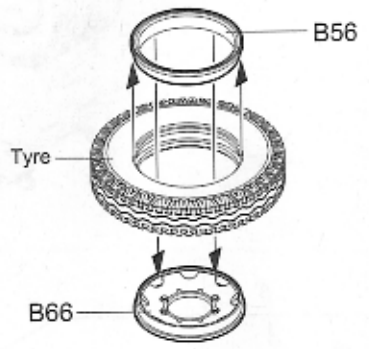
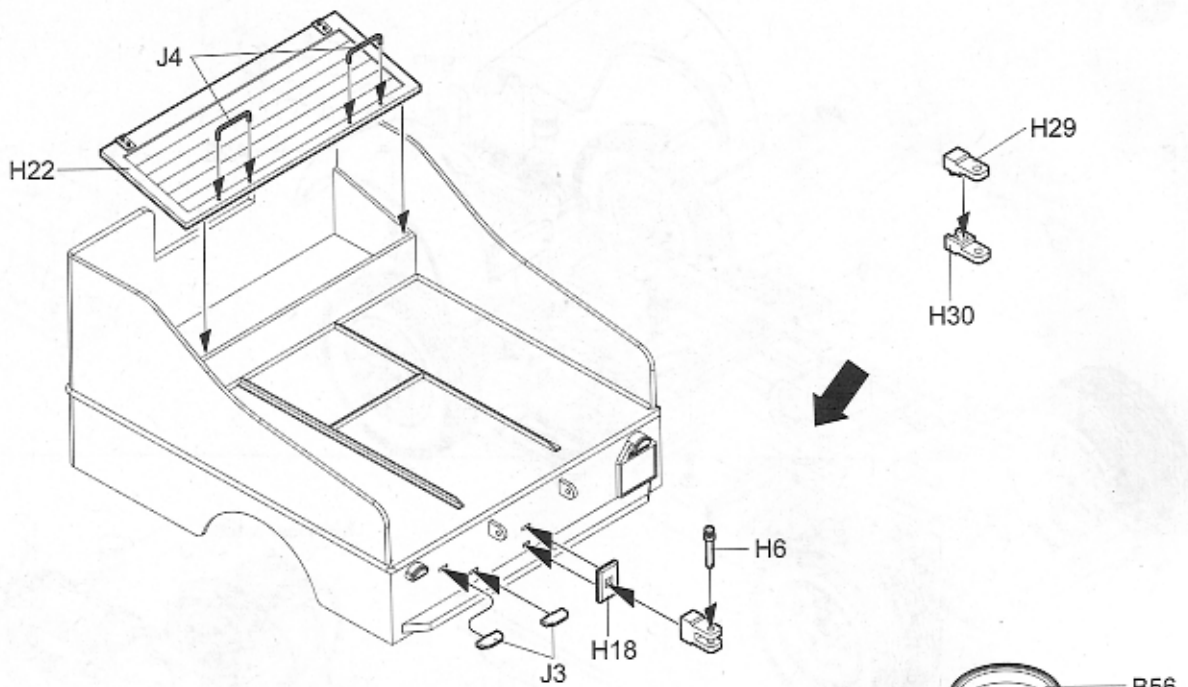
7



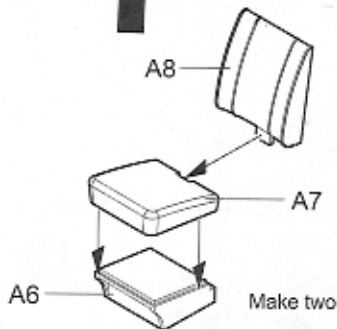
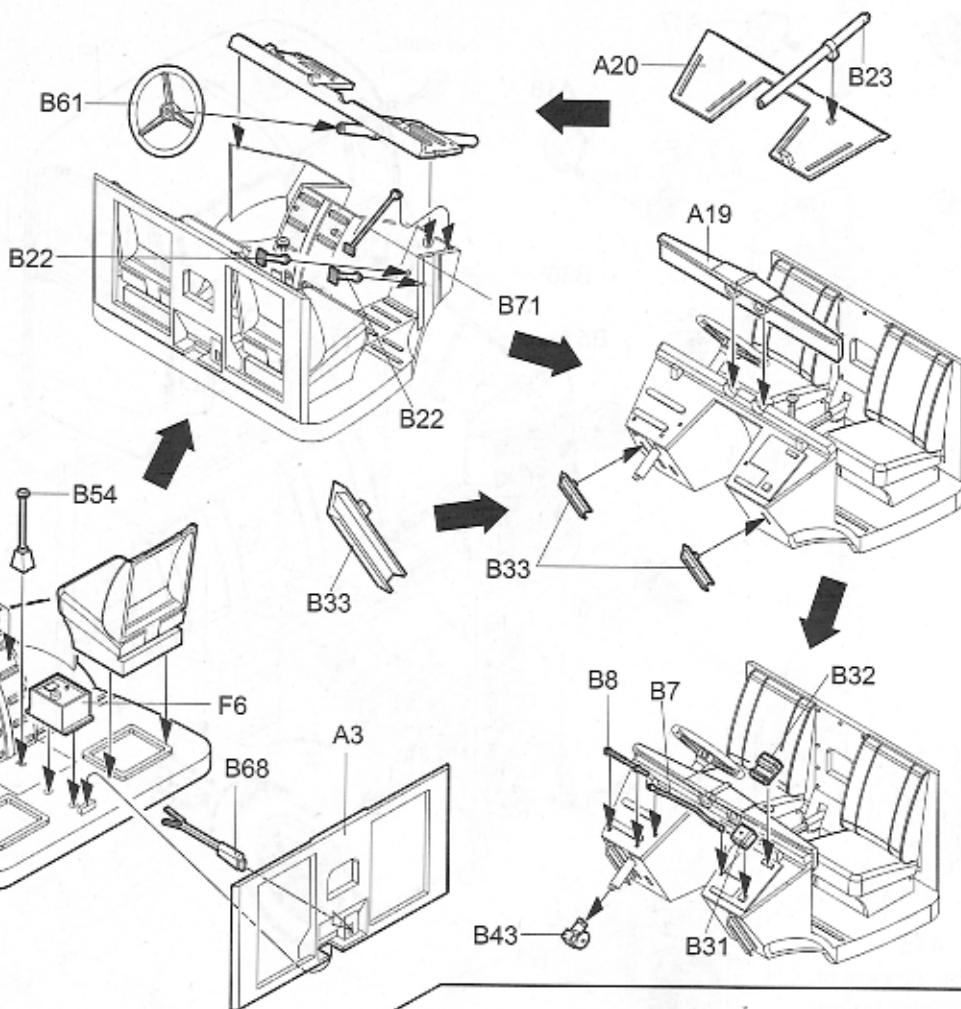
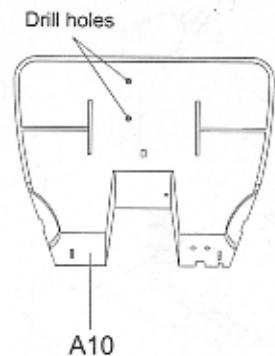
8



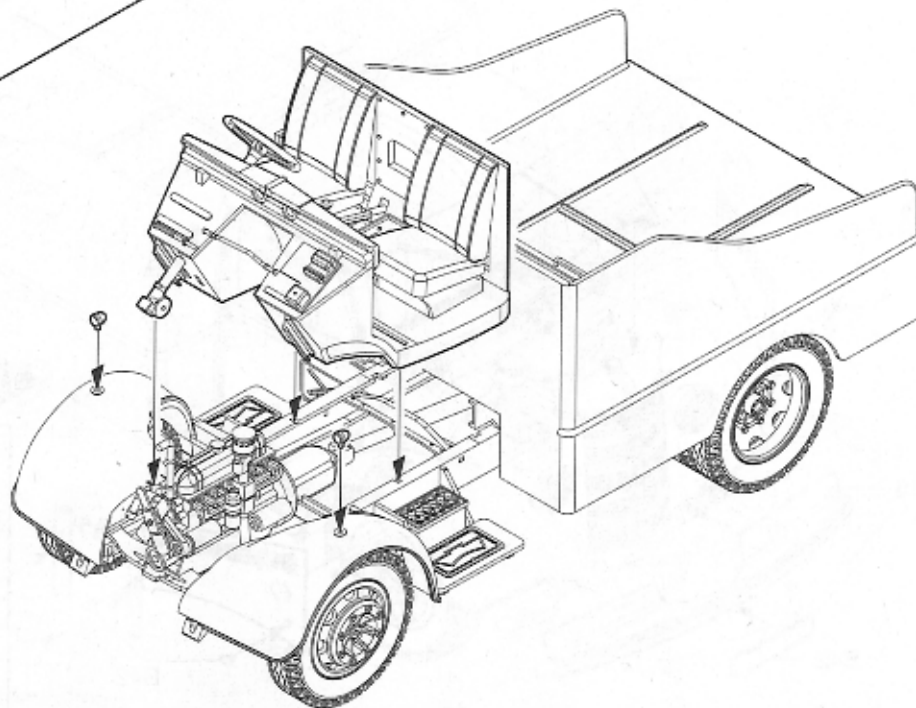
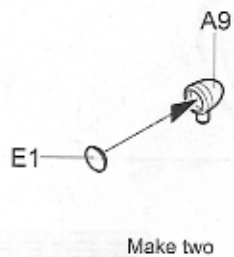
9



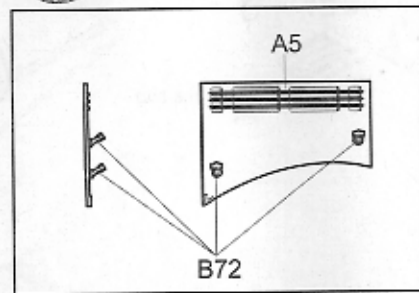
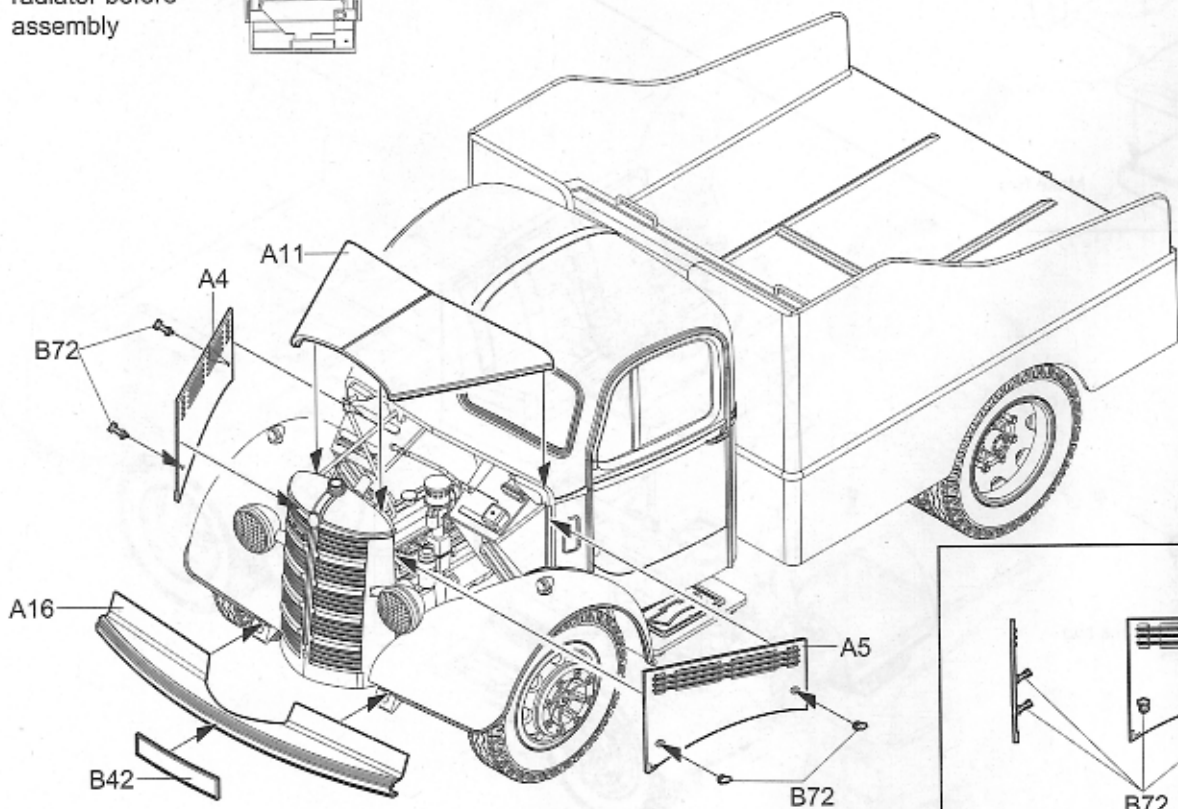
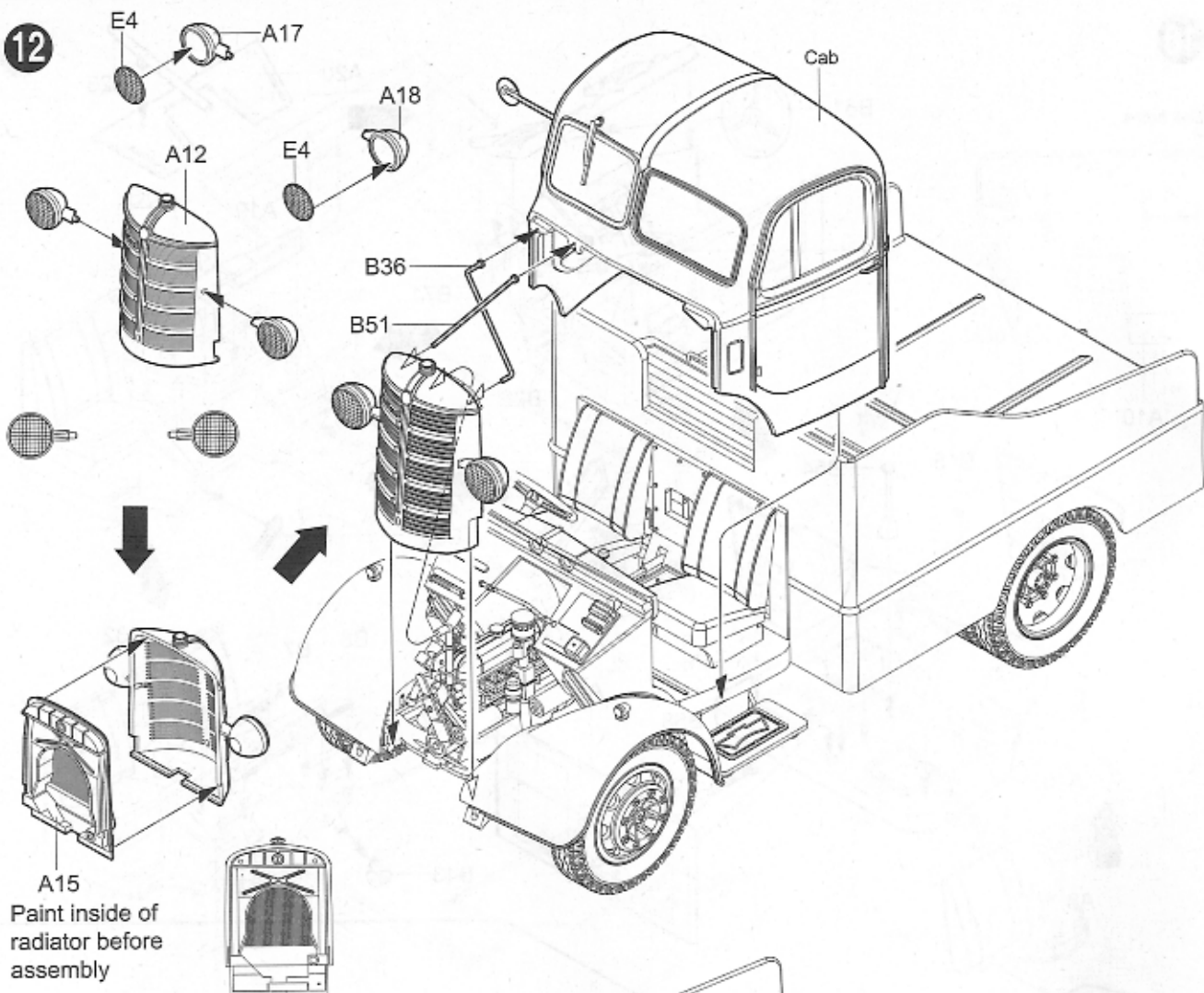
10



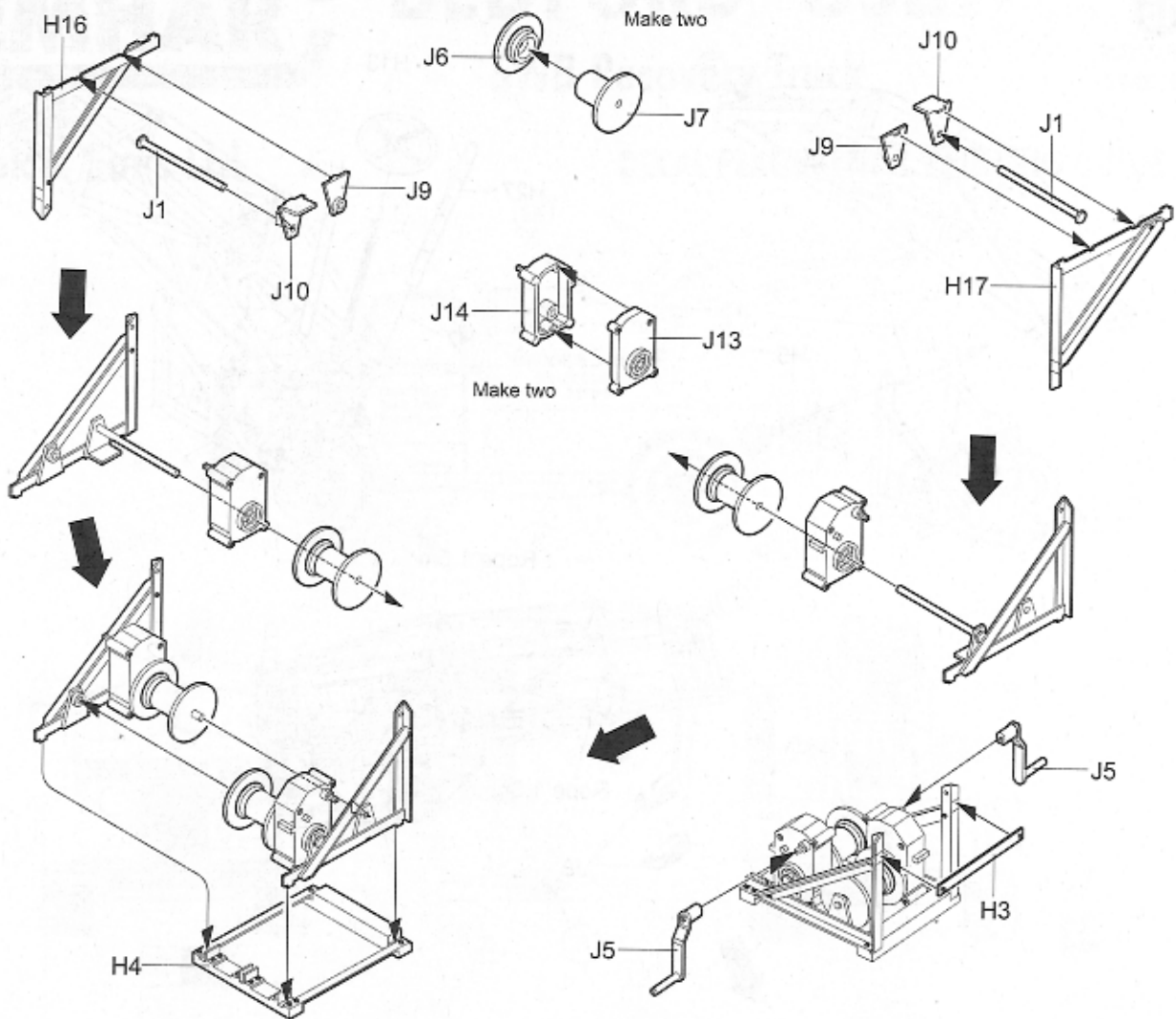
11



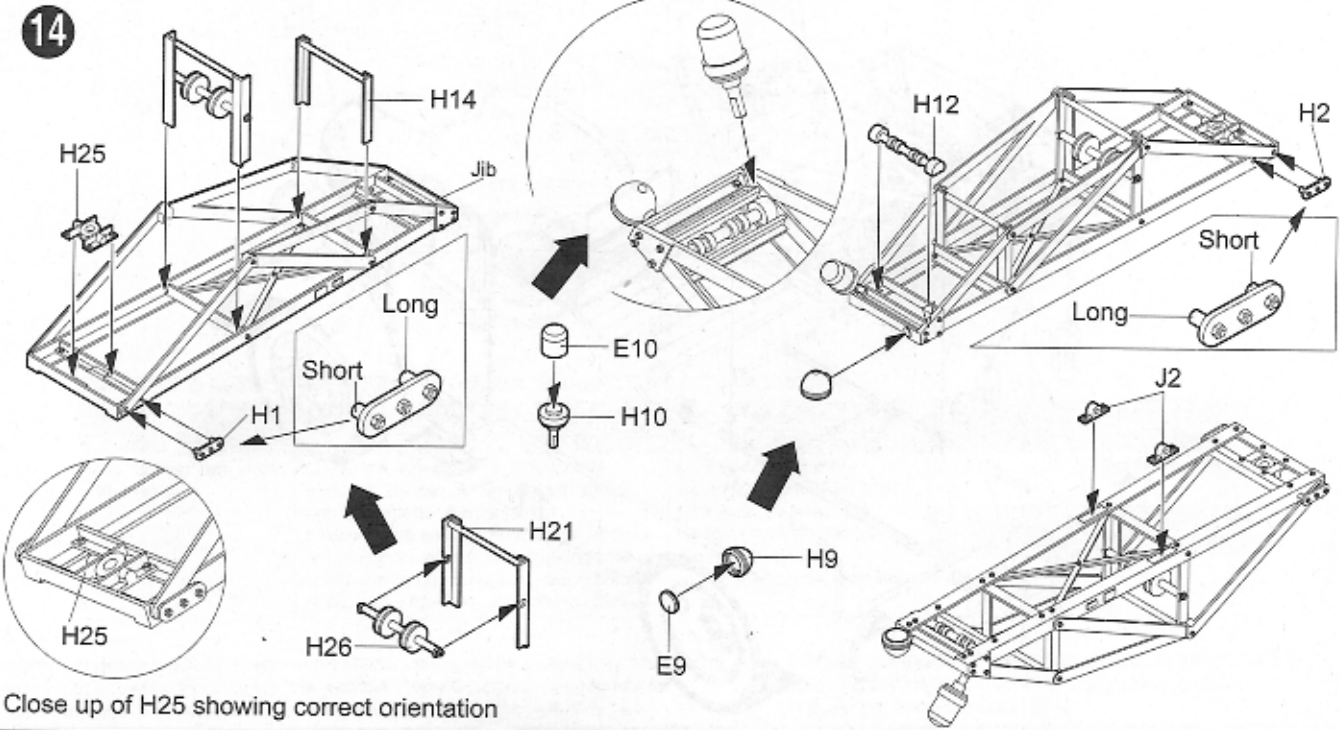
12



13



14



15

