

Third Group Decals™

PO Box 98865 Tacoma, WA 98498-0865 USA

Tel: (206) 475-9505 ~ Fax: (206) 475-1597

Internet: TGDecals@aol.com

A THREE GEESSE PUBLISHING COMPANY



1:48 scale

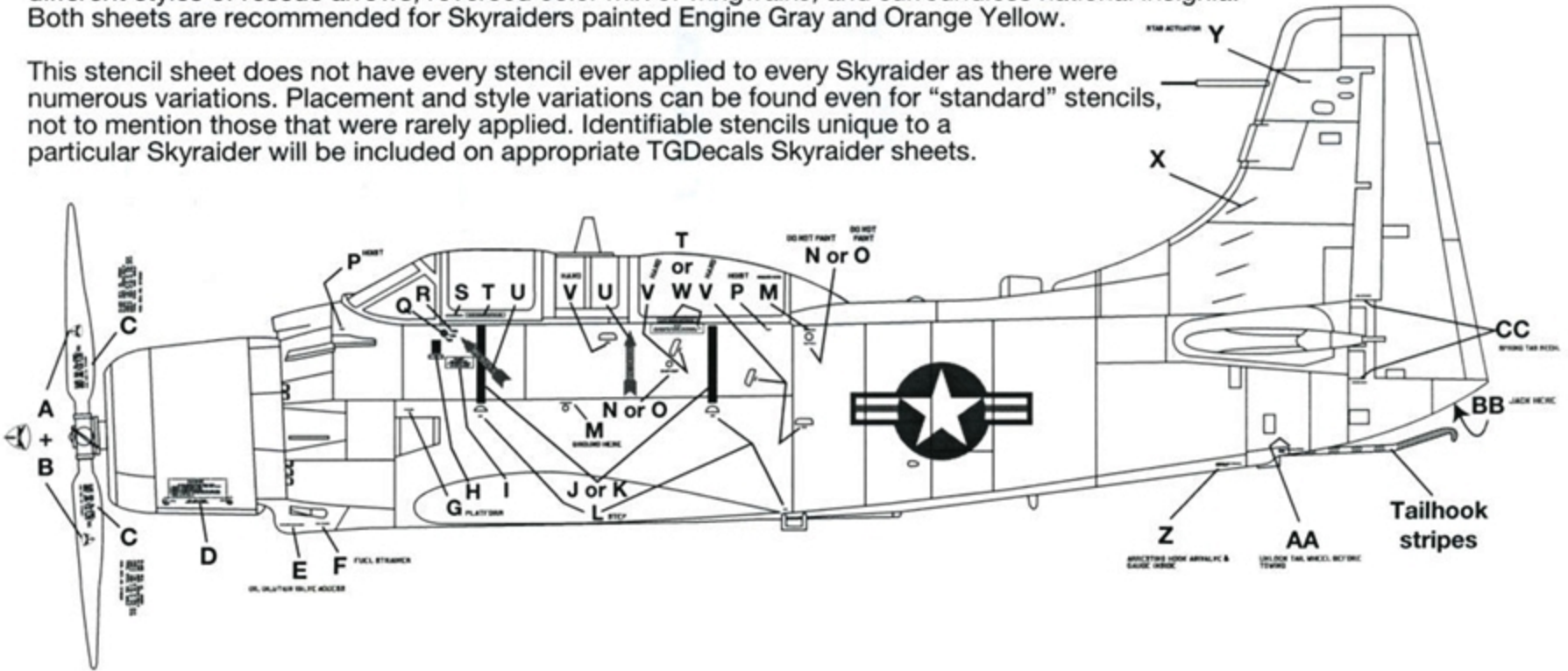
48-020

USN/USMC Douglas AD-5/A-1E Skyraider

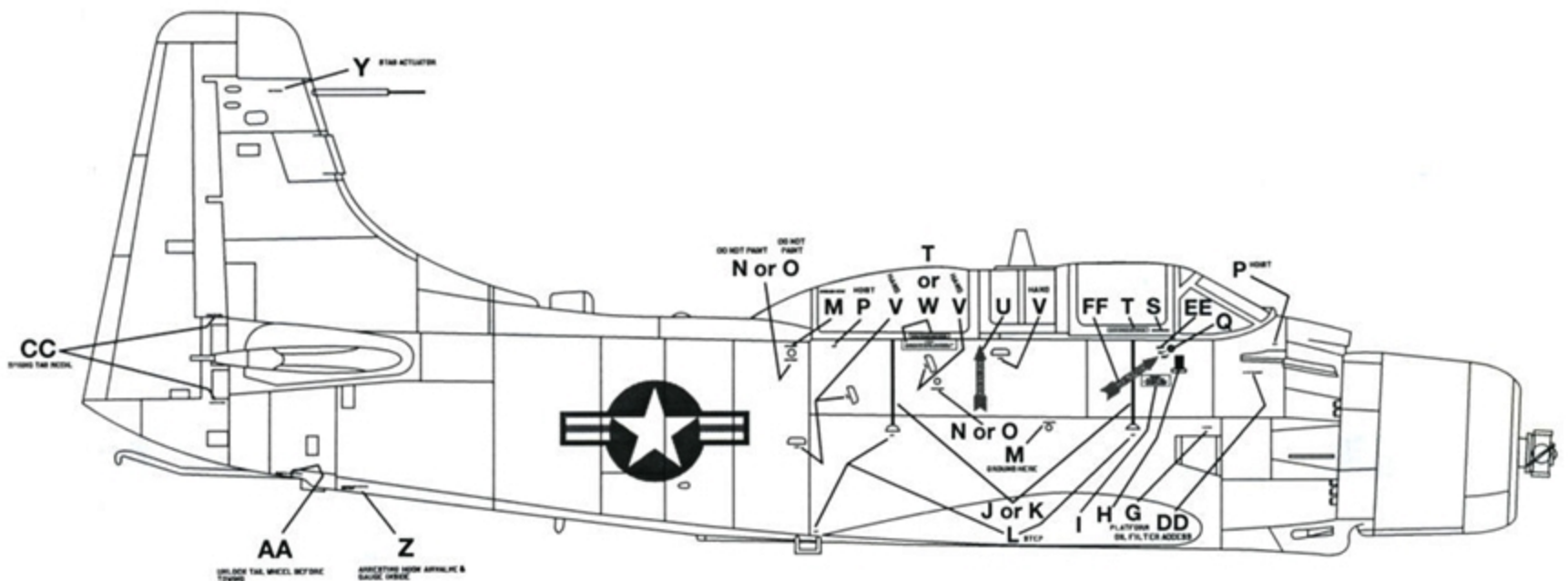
Stencils (Black)

Aeroprop logos (A+B) were not always applied to the propeller blades but propeller data stencils (C) usually were. Propeller blades were black. Propeller blade tips were usually yellow or striped red/white/red on the face with yellow backsides. Rescue arrows varied in size, style, color and orientation. Landing stripes (X) were usually carried on the left side of the vertical fin, though their placement varied. Skyraiders usually had gray or black wingwalks. Please check your references before applying these stencils. This sheet may be used in conjunction with TGDecals 48-021, which features the same stencils in white but with different styles of rescue arrows, reversed color mix of wingwalks, and surroundless national insignia. Both sheets are recommended for Skyraiders painted Engine Gray and Orange Yellow.

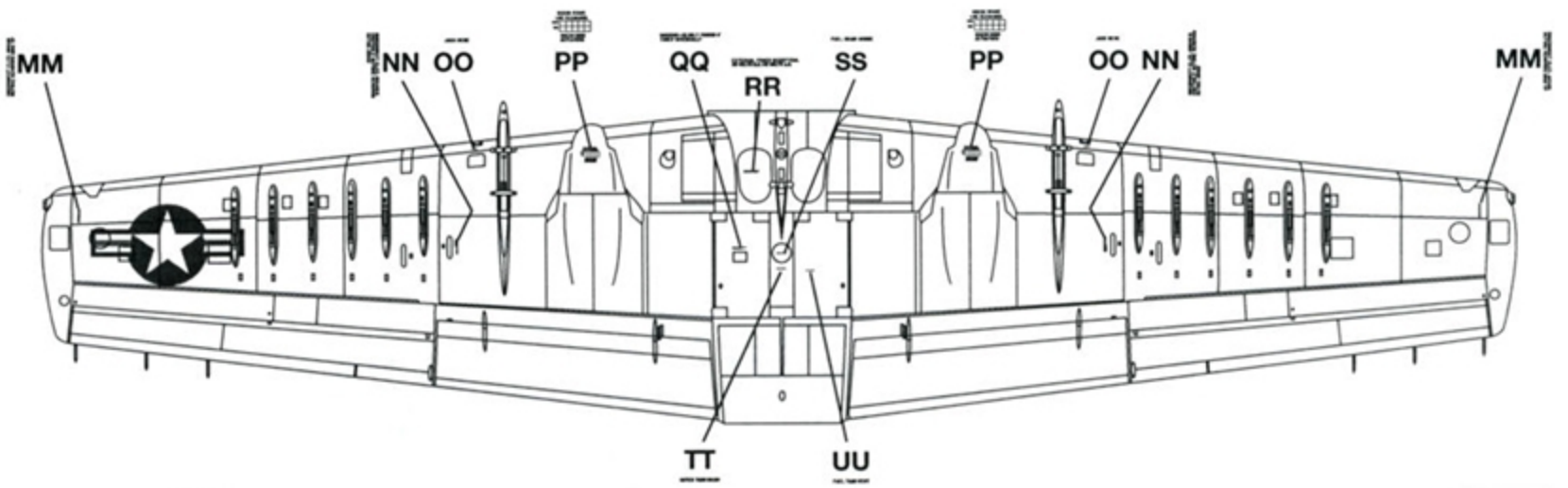
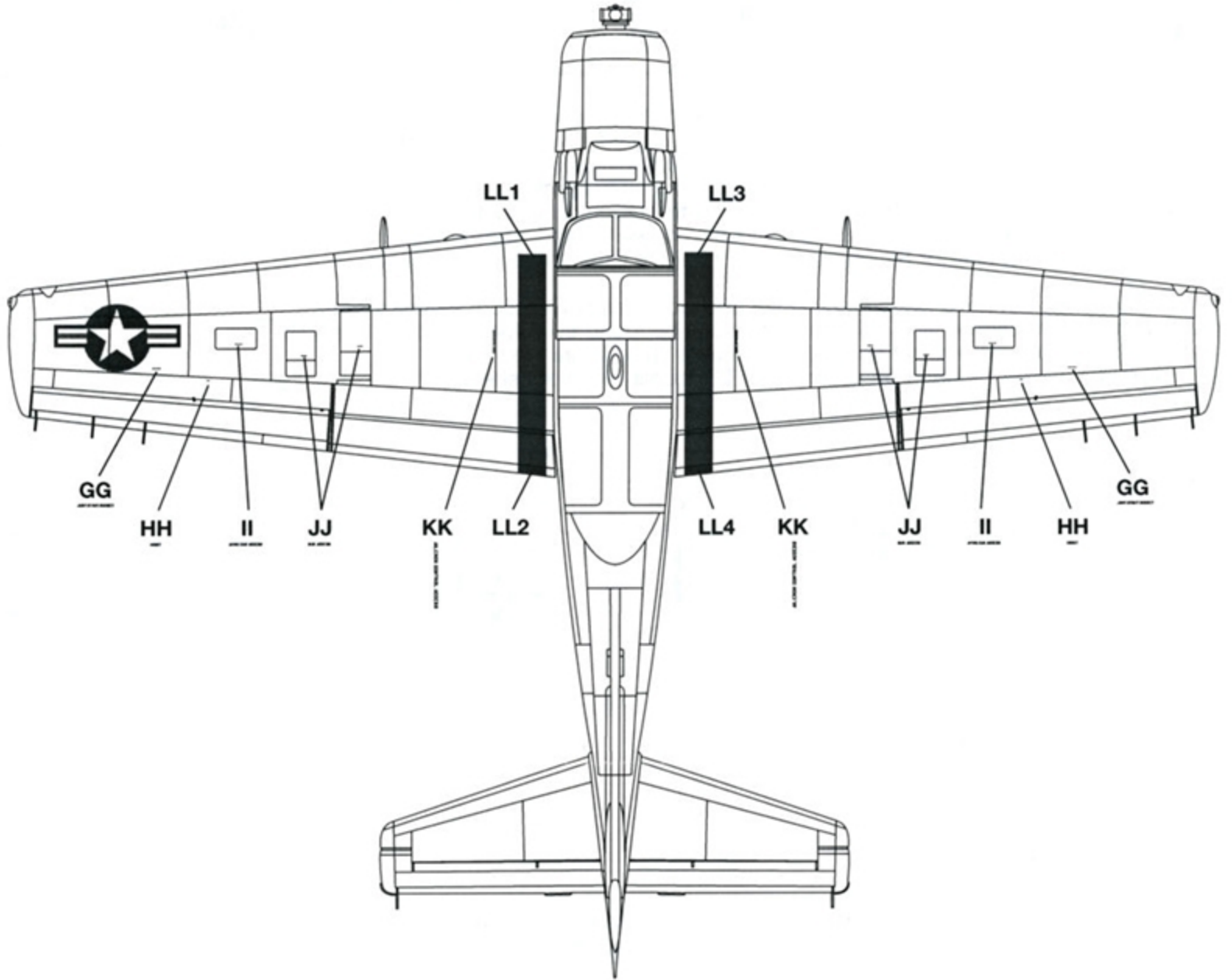
This stencil sheet does not have every stencil ever applied to every Skyraider as there were numerous variations. Placement and style variations can be found even for "standard" stencils, not to mention those that were rarely applied. Identifiable stencils unique to a particular Skyraider will be included on appropriate TGDecals Skyraider sheets.



The Aeroprop logo (A+B) points to the left when a propeller blade that is pointing upward is viewed from the front.

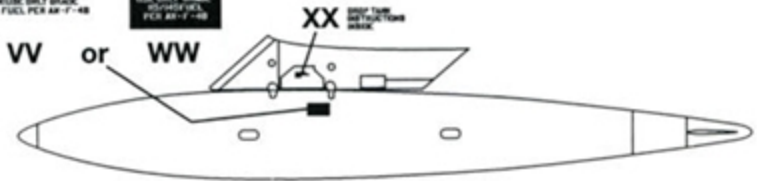


AD-5/A-1E Skyraiders had 4, 2 or 0 wing cannons.



CAUTION: USE ONLY GROUND
SERVICES FUEL FOR A1-7-48

CAUTION: USE ONLY GROUND
SERVICES FUEL FOR A1-7-48



CAUTION: USE ONLY GROUND
SERVICES FUEL FOR A1-7-48

CAUTION: USE ONLY GROUND
SERVICES FUEL FOR A1-7-48

