



Messerschmitt Bf 109B,C,D,E



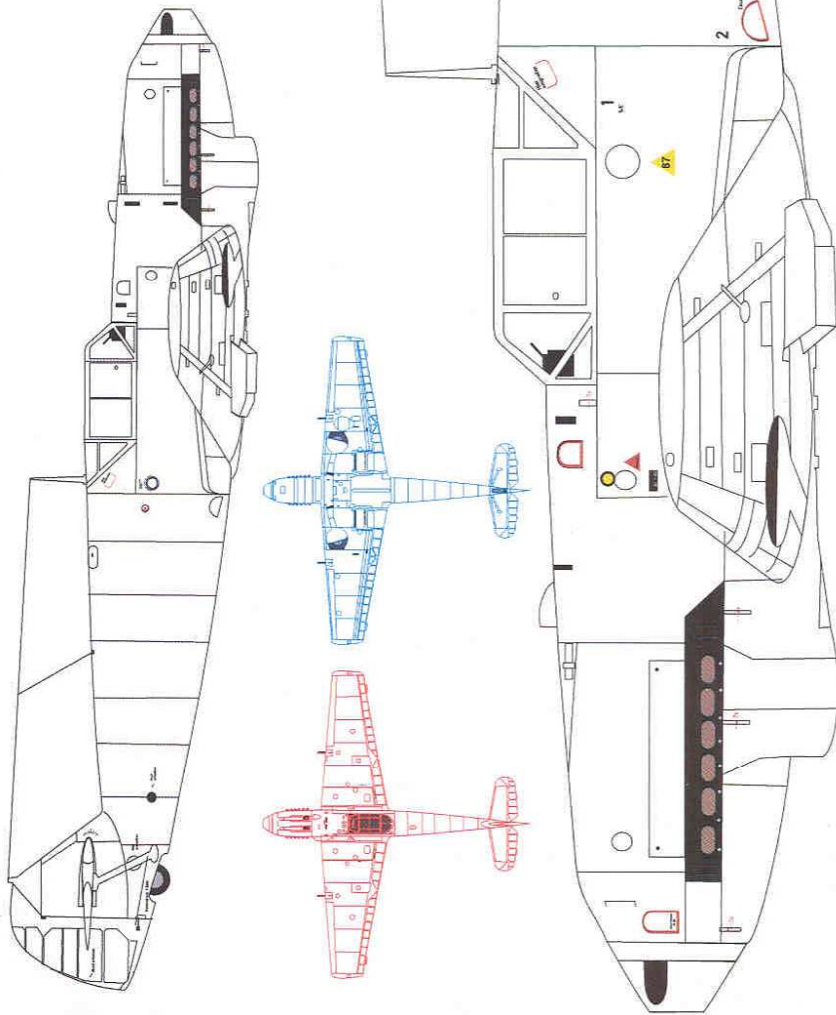
Messerschmitt Bf 109B,C,D,E



84 597890 1 000682

Messerschmitt Bf 109 B
Messerschmitt Bf 109 CI-C4
Messerschmitt Bf 109 D
Messerschmitt Bf 109 E1-E7

German stencils version
Yugoslavian stencils version
Swiss stencils version



1. Apply gloss coat to model surface
2. Cut out the needed detail from the sheet.
3. Submerge the decal completely in lukewarm water for 10 sec.
4. Put the wet decal on-plotting base and allow it soften completely.
5. Place the decal together with the base paper on the model. We recommended use decal solutions(Setter, Sofree)Keep paper by tweezers and remove decal carefully to model surface. In case that the decal was placed incorrectly, add water with a brush on the border of the decal.
6. If the decal is located on the right place, press it with a soft cloth to eliminate all water and air bubbles.
7. Allow the decal dry well.

H-Models Decals
Gustav Hýbner
Ná zřprazi 408/3, Liberec 3, 460 01
www.ghstudio.net
ghstudio@ghstudio.net
hmodels@valny.cz

MADE IN CZECH REPUBLIC

HMD72136

LIMITED SERIES ONLY 200pcs!

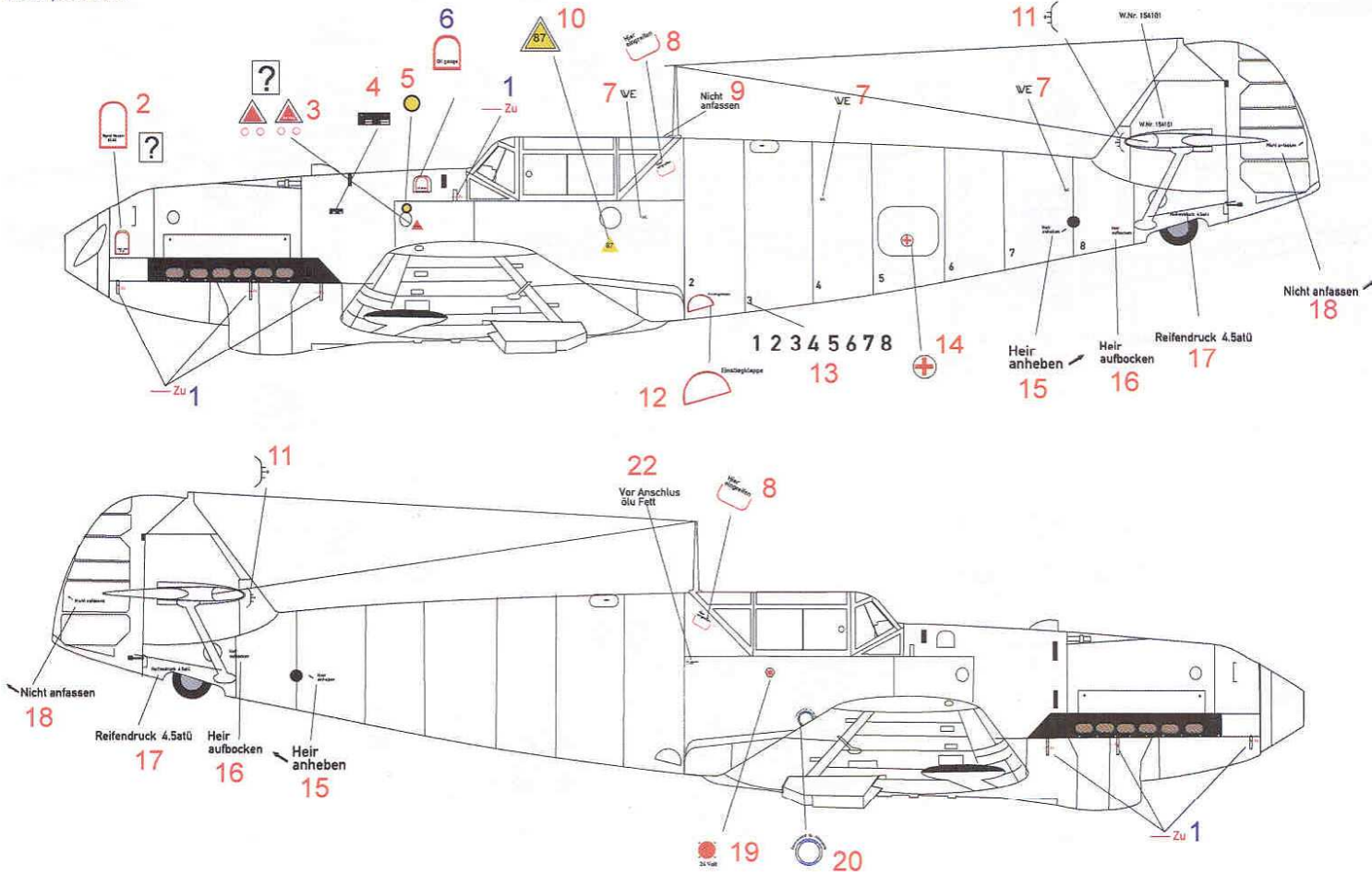
Stencils





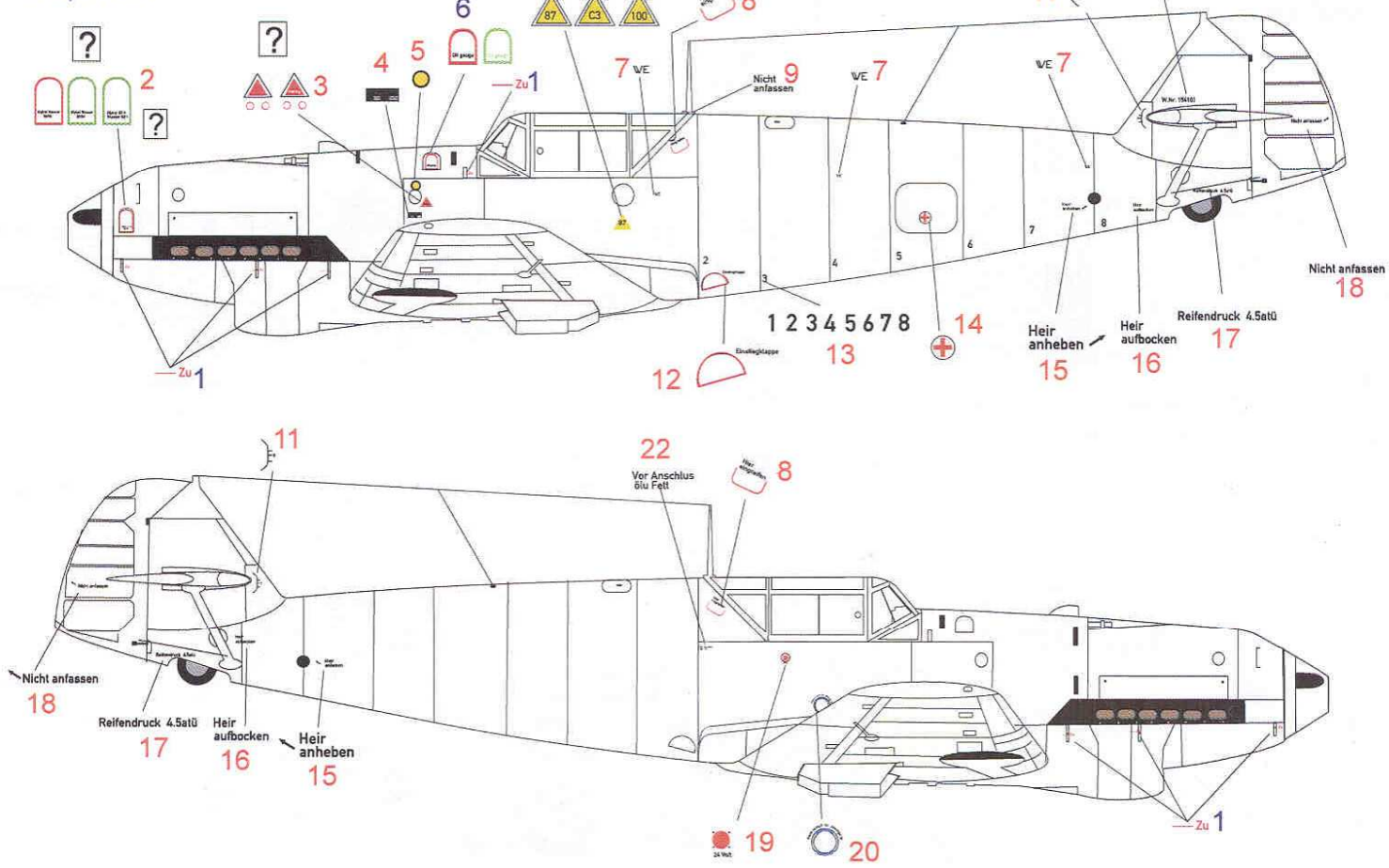
Messerschmitt Bf 109 B

Decal placement:



Messerschmitt Bf 109 C

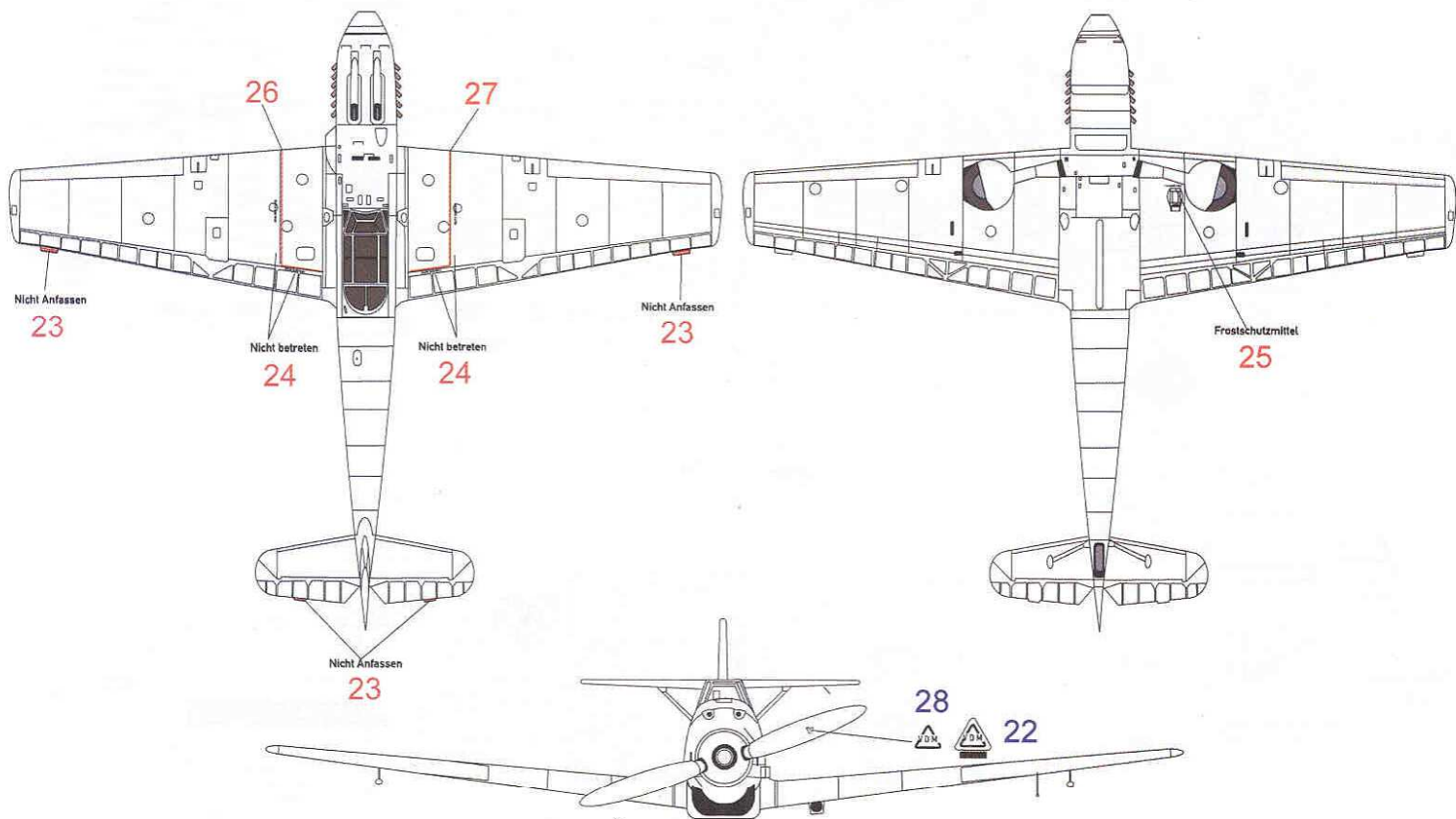
Decal placement:





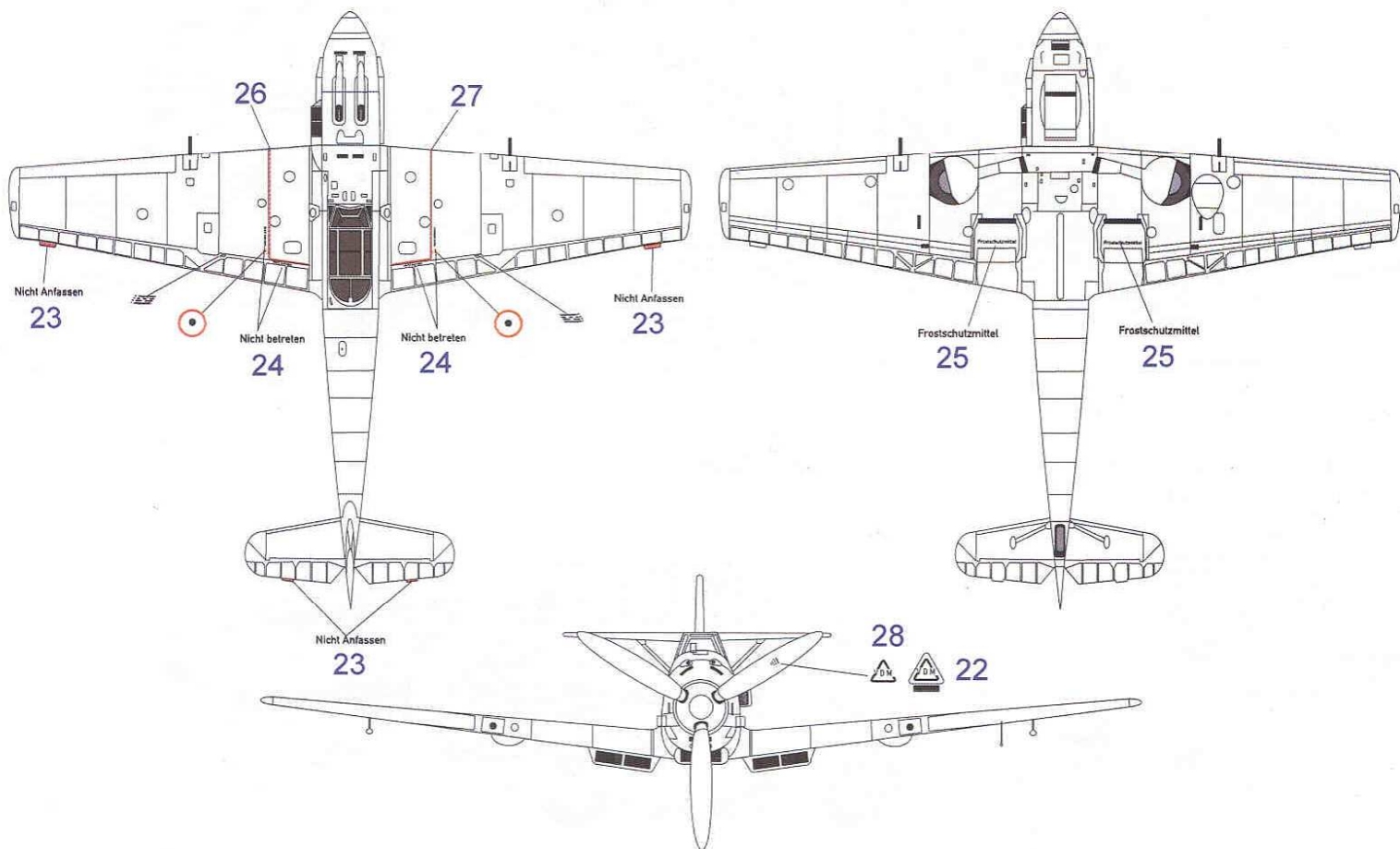
Messerschmitt Bf 109 D

Decal placement:



Messerschmitt Bf 109 E

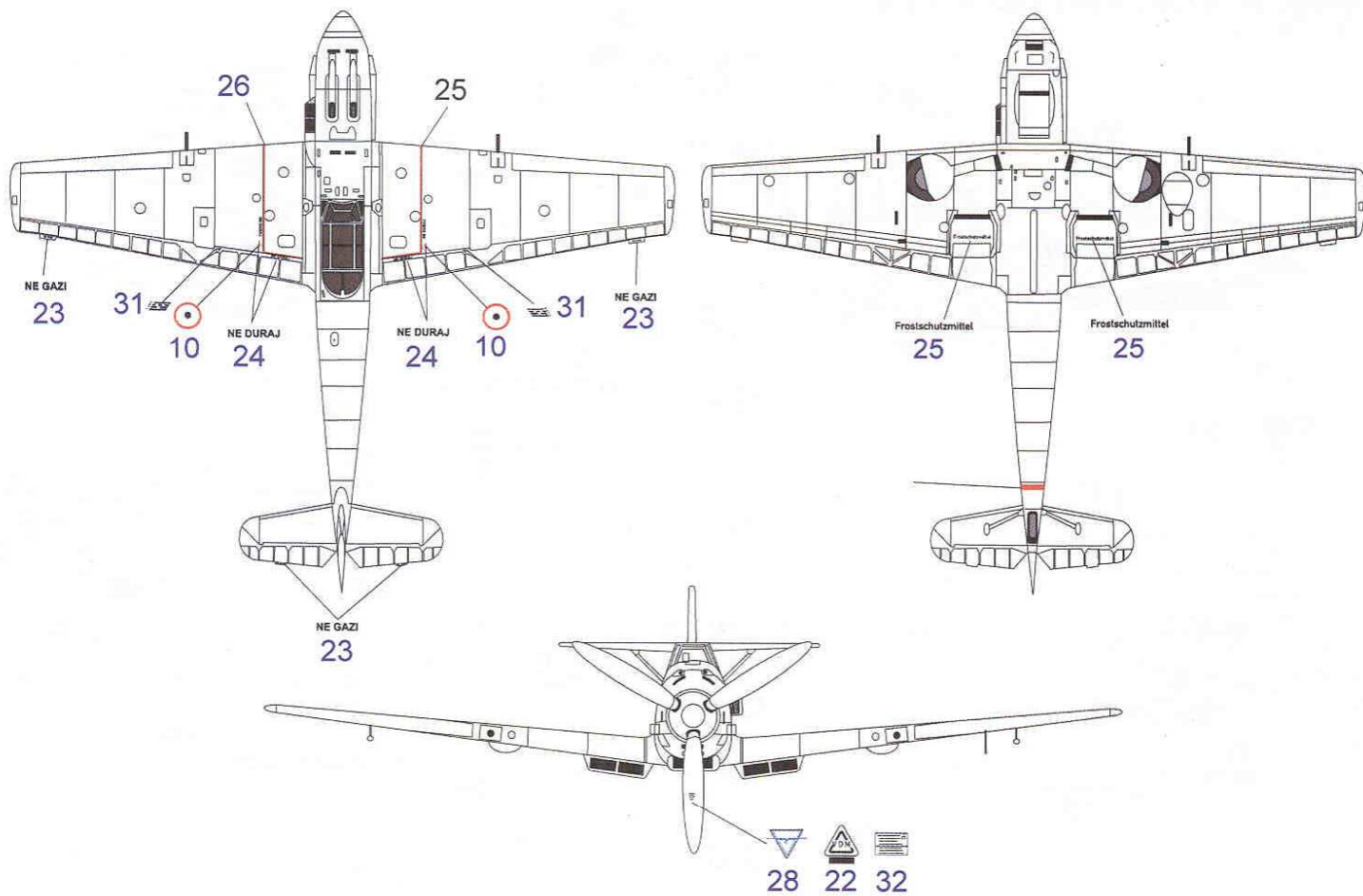
Decal placement:





Messerschmitt Bf 109 E

Decal placement:



Messerschmitt Bf 109 E

Decal placement:

