

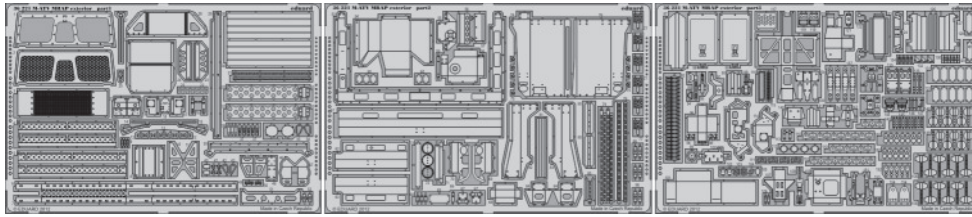


M-ATV MRAP exterior

eduard

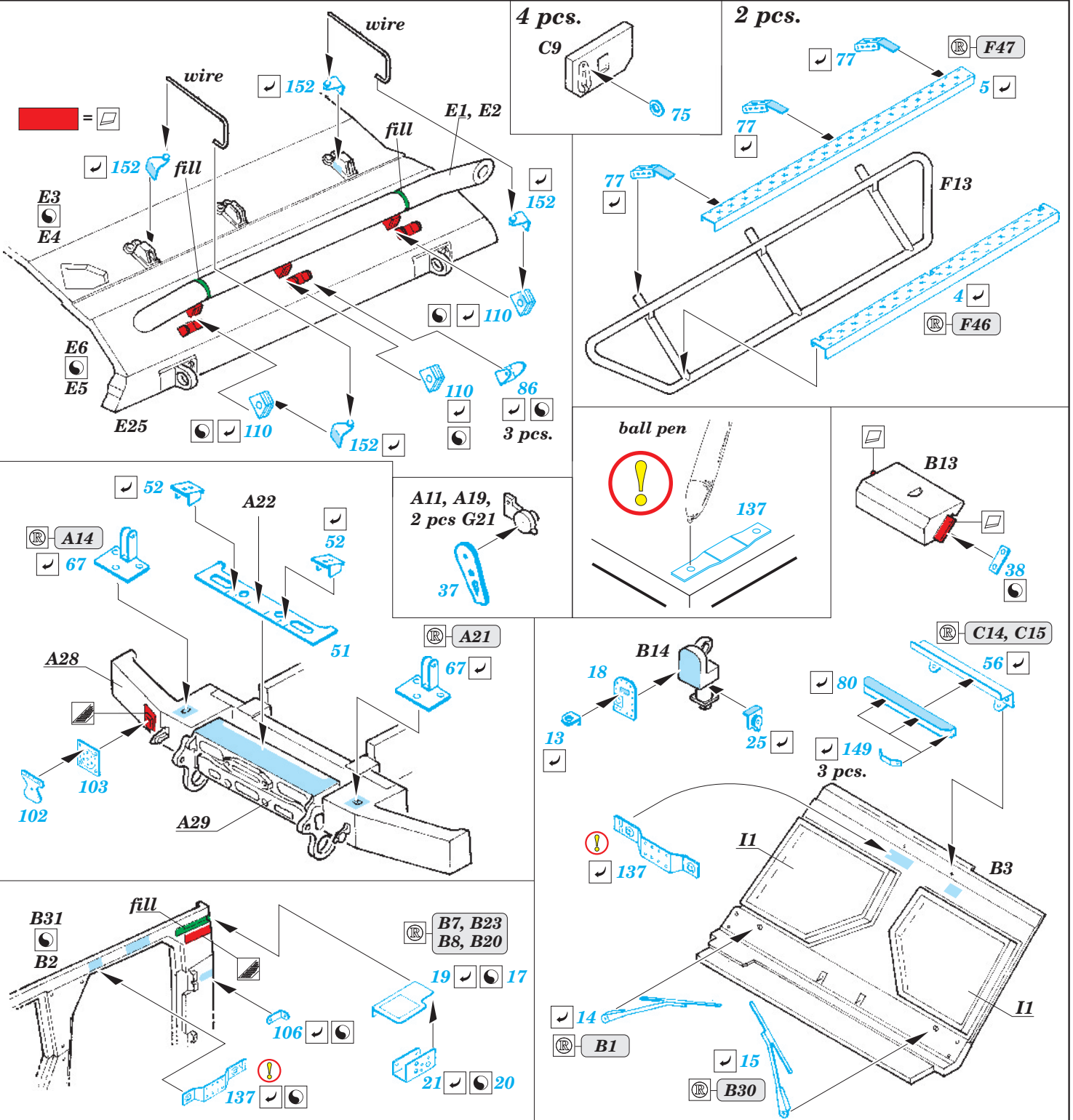
36 221

1/35 scale detail set for Kinetic kit K61007 • sada detailů pro model 1/35 Kinetic K61007

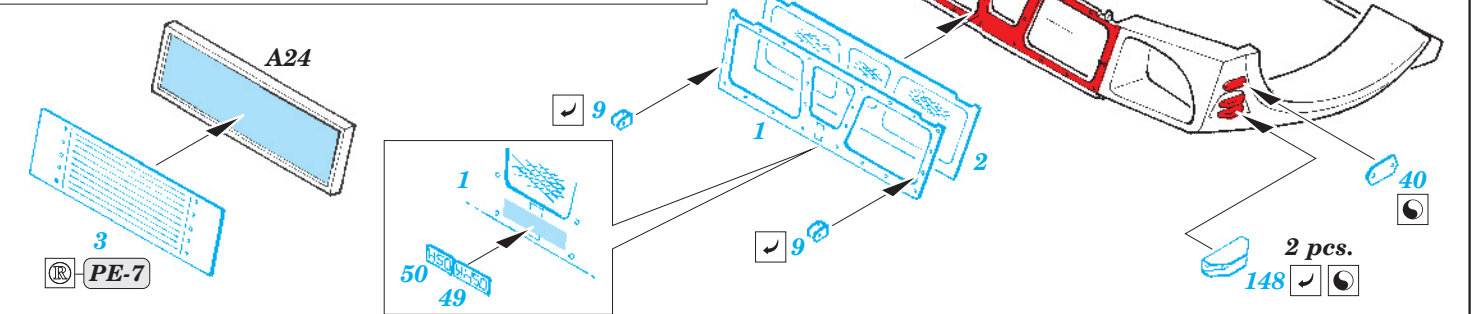
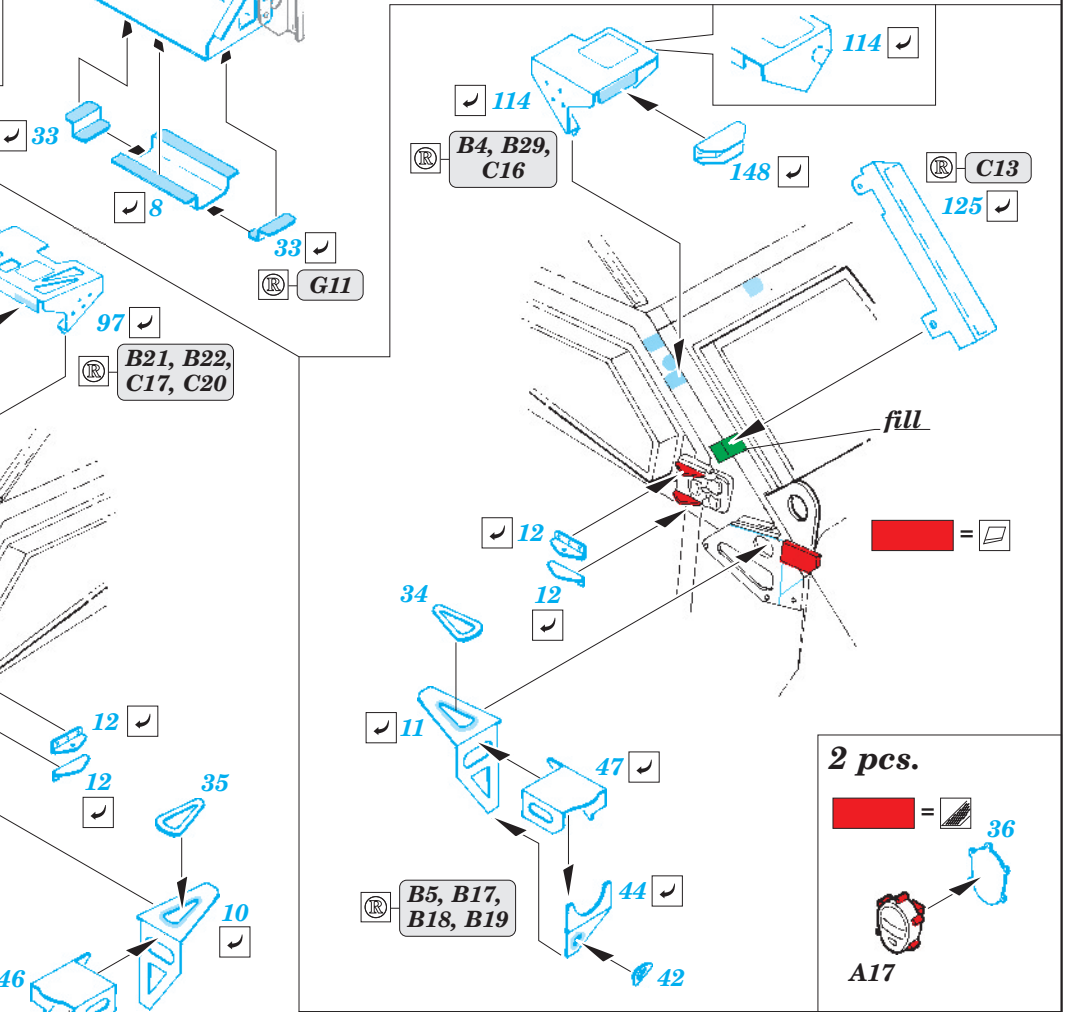
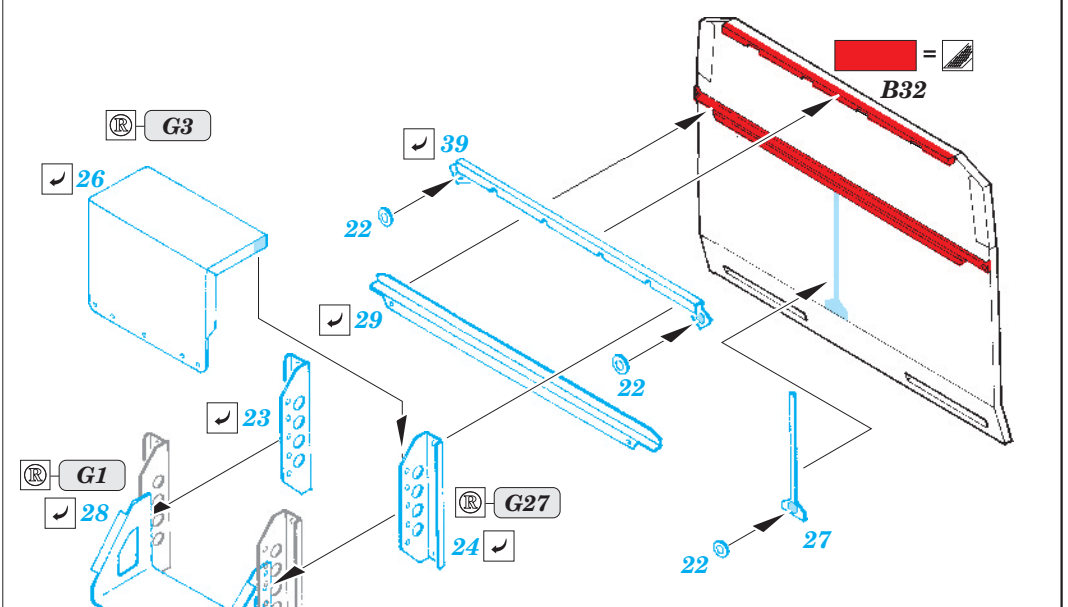
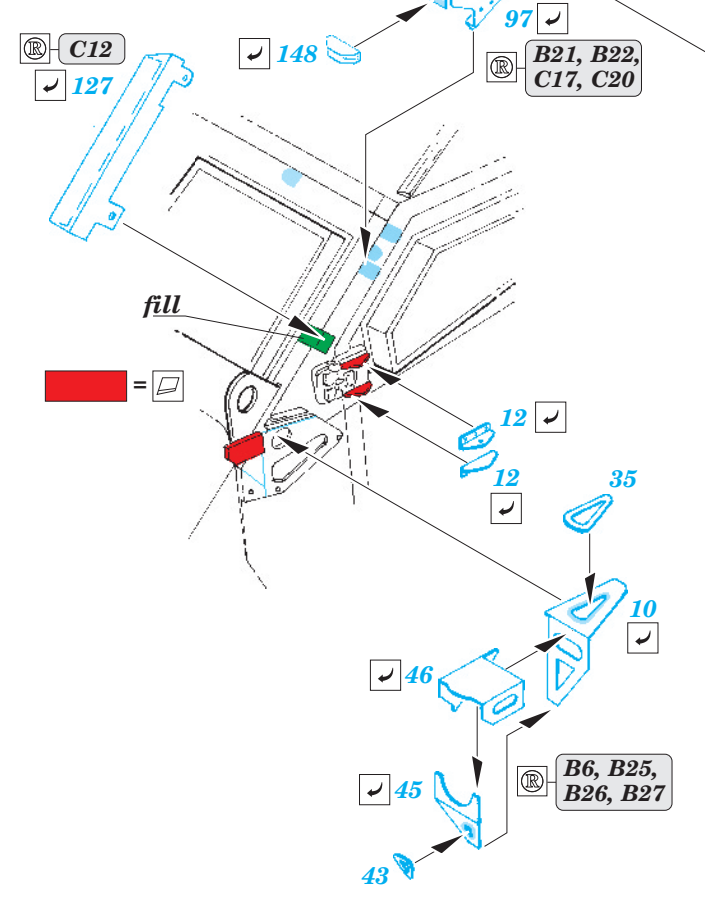
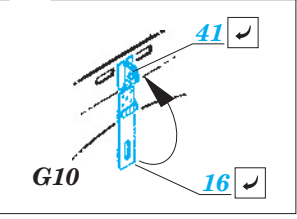
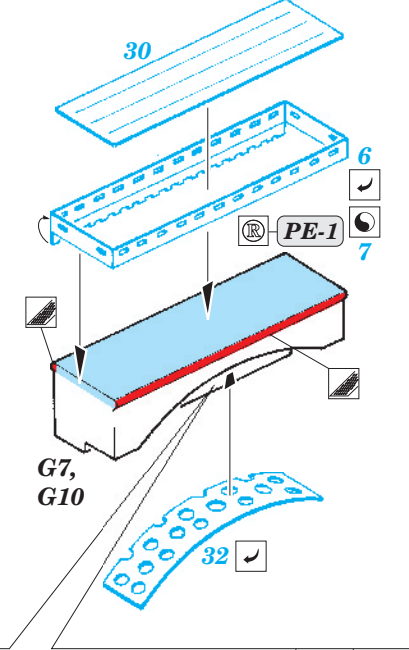


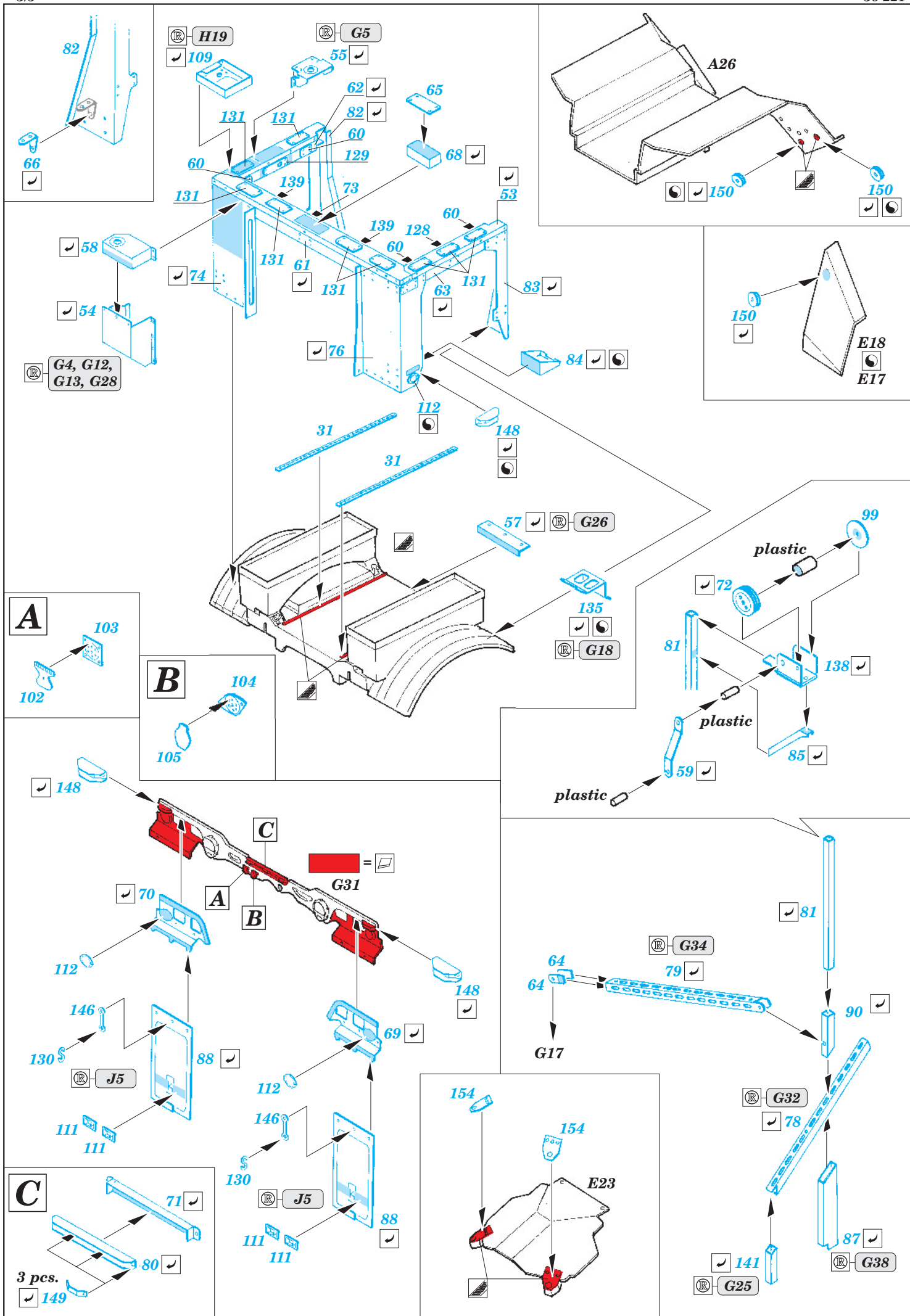
- ★ APPLY EXPRESS MASK AND PAINT BEFORE GLUING
POUŽIT EXPRESS MASK NABARVIT PŘED SLEPENÍM
- ☉ SYMMETRICAL ASSEMBLY
SYMETRICKÁ MONTÁŽ
- REMOVE
ODSTRANIT
- ▨ GRIND
OBROUSIT
- ⊘ DRILL HOLE
VRTAT OTVOR
- ↷ BEND
OHNOUT
- ? OPTION
VOLBA
- Ⓜ REPLACE
NAHRADIT

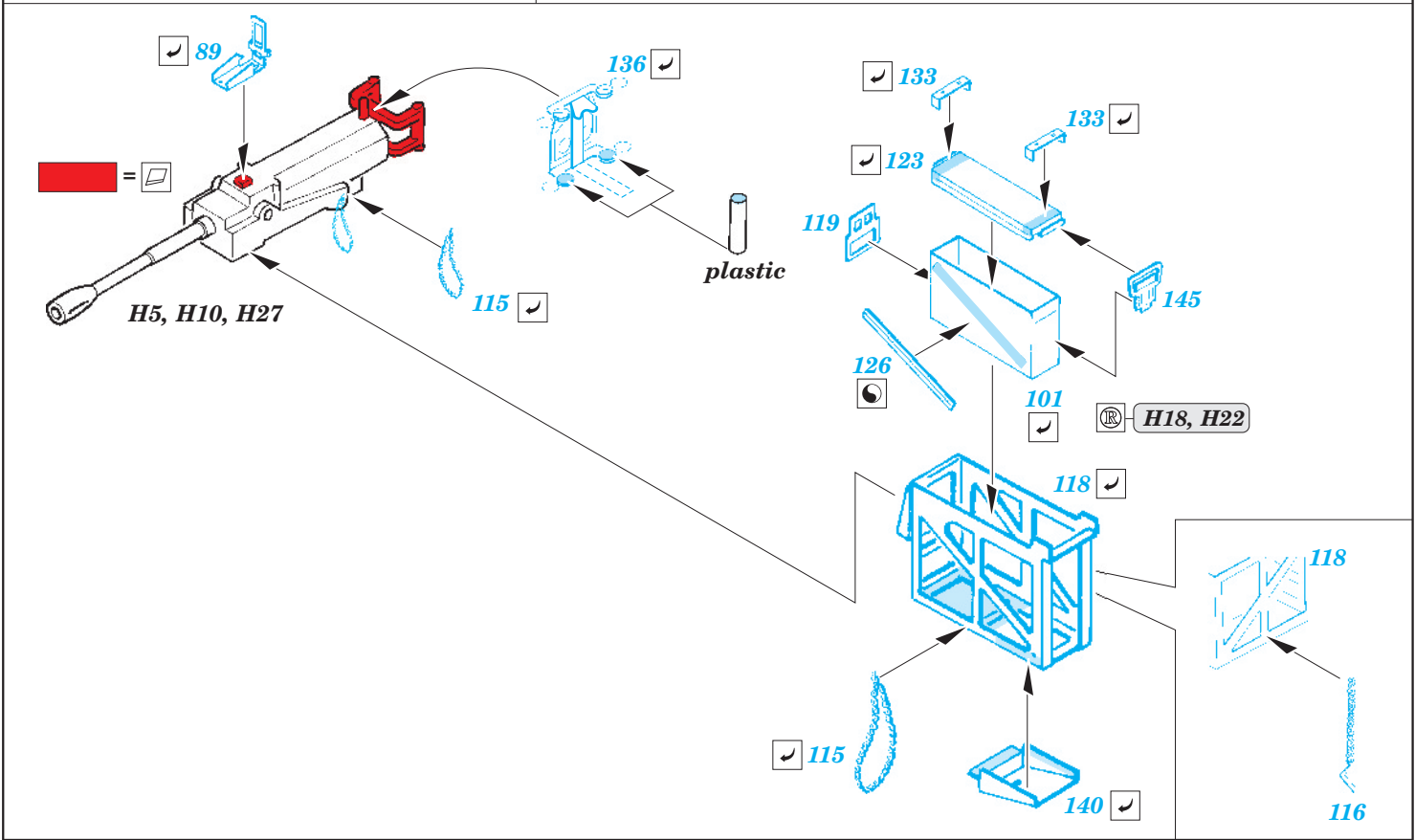
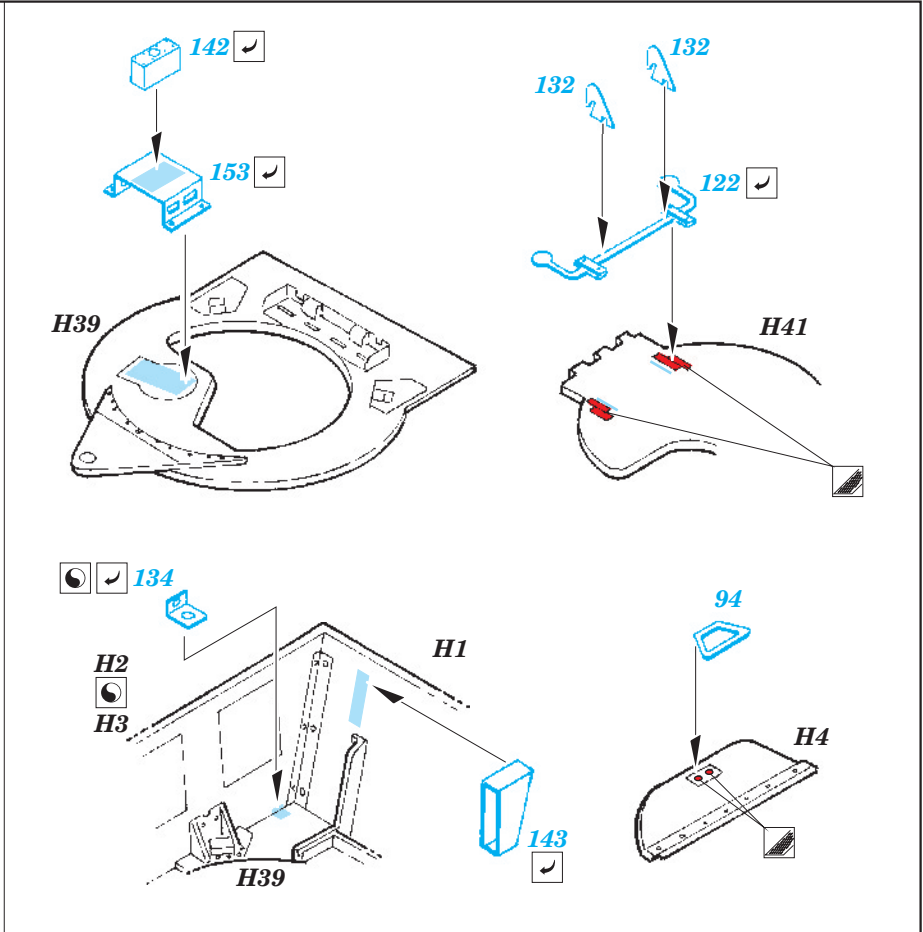
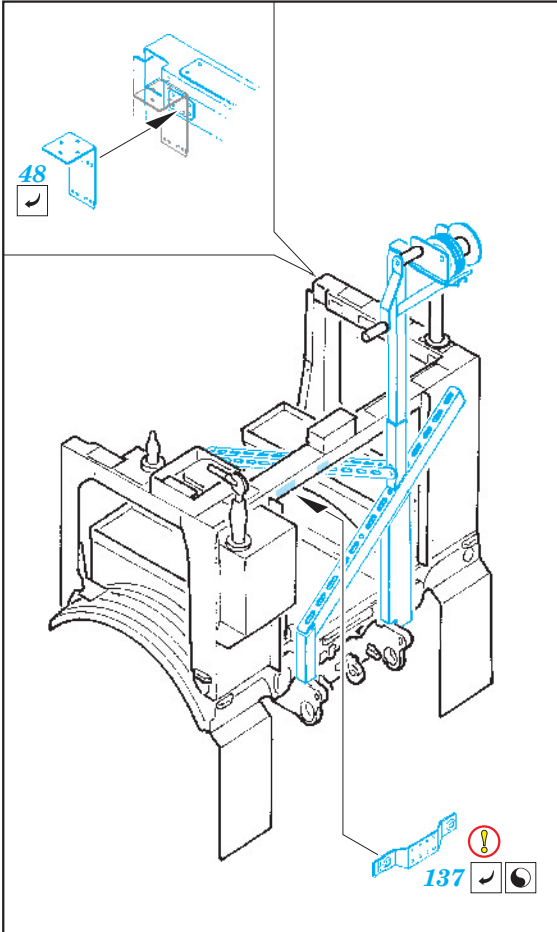
ORIGINAL KIT PARTS
PŮVODNÍ DÍLY STAVEBNICE
 PHOTO-ETCHED PARTS
LEPTANÉ DÍLY
 PARTS TO BE REMOVED
DÍLY K ODSTRANĚNÍ
 FILL
TMELIT



2 pcs.







*For further detail sets look for **eduard** 36 222 M-ATV MRAP seatbelts (not included in this set)*

*For further detail sets look for **eduard** 36 213 M-ATV MRAP interior (not included in this set)*

*For further detail sets look for **eduard** 36 224 M-ATV OGPK overhead cover (not included in this set)*

