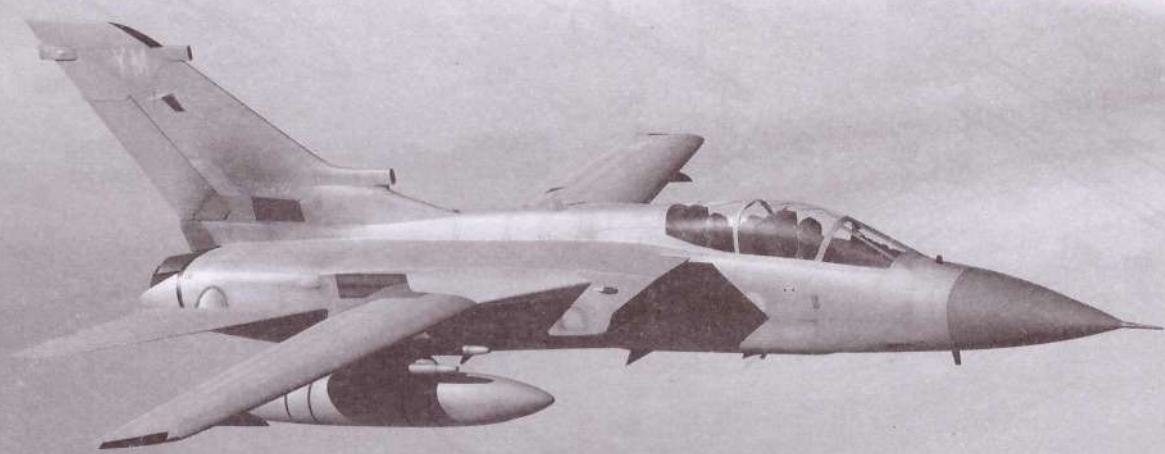


1/48 Scale

ITEM No.:80355



# Tornado ADV

トーネード ADV

“狂风”ADV拦截战斗机

### PLEASE READ BEFORE OPERATION!

- \* Tools recommended as below: (Not included)  
Adhesives; Paints; Side Cutters; Sharp Edged Pliers; Modeling Knife; Modeling File; Nippers; Drill; Scissors; Sand Paper; Soft Cloth; Cyanoacrylate Glue.
- \* Make sure to read this instruction listed below before assembling.
- \* The kit contains the small parts, they can be dangerous if swallowed by mistake, so keep them away from reach of children.
- \* Cut the all parts off carefully and remove the waste parts into the garbage can.
- \* More caution and care should be needed for cutting and handling the photo etched parts.
- \* Make attention that some parts should be attached the decal when assembled.
- \* During assembling, please tear up and throw away the plastic bags, or may cause the dangerous if wearing over head by children's mistake.
- \* When using the adhesives and paints, please do not use them in the closed room or near the fire, also must be very careful to protect your eyes, face and clothes.
- \* Adult supervised when assembled by children under 14 years old.

### 装配前请仔细阅读:

- \* 推荐使用的模型工具(请自备):  
专用模型胶水, 专用模型油漆, 水口剪刀, 长咀钳, 刀片, 锉刀, 镊子钳, 钻, 剪刀, 软布, 砂纸, 瞬间快干胶等。
- \* 用水口剪刀或刀片小心切下所有塑胶零件和蚀刻片零件, 不要遗失小零件。
- \* 切取蚀刻片时应特别注意防止利边划伤手指。
- \* 用模型锉刀小心锉平所有零件表面的注射浇口。
- \* 用适量的强力快干胶水粘合蚀刻片零件和金属轴, 切忌过量, 否则可能导致可动零件被粘住。
- \* 注意某些零件表面需在装配时同步贴水上贴纸。
- \* 制作时应远离幼儿并将包装袋及时收妥, 谨防小孩玩耍而引起意外。



Using CA super glue  
使用强力胶



weight  
配重



make hole  
钻孔



cut / remove  
切除



option  
选择



no cement  
不涂胶水



decal  
贴纸



bend  
弯曲



repair  
填补

### The method to apply the decals

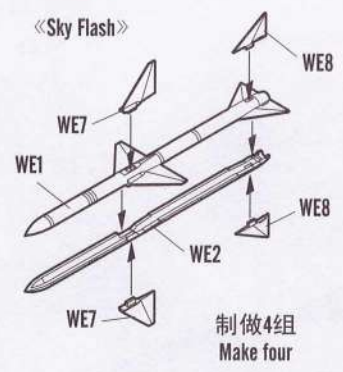
1. Cut off the decal from the decal paper and put it into the warm water 40°C for 10 seconds.
2. Take the decal from the water and put it on a piece of clean cloth.
3. Remove the decal slowly from the paper to the targeted location by a wet finger.
4. Use a piece of dry and soft cloth to press it gently on the decal until it getting dry and no bubble existing.

### 水贴纸的使用方法:

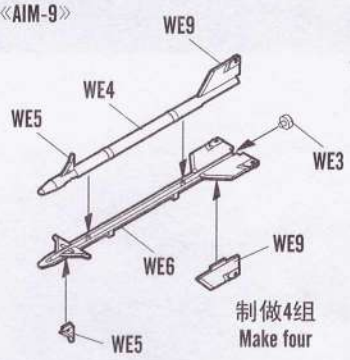
- 一. 把相关的印花从水贴上剪下, 放入40°C左右的温水中浸10秒。
- 二. 然后将印花放在干净的布上。
- 三. 拿上印花纸, 手指蘸水将印花移到适当的位置。
- 四. 用软干布轻压印花直至水干, 气泡消失。

**1**  
STEP

«Sky Flash»



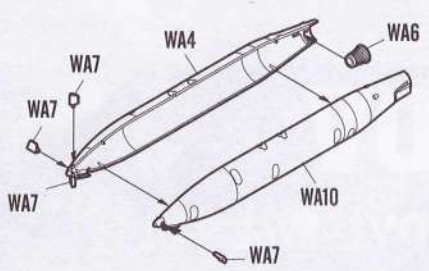
«AIM-9»



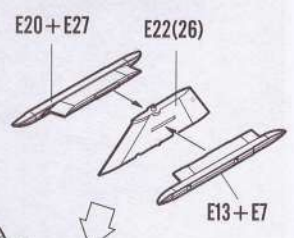
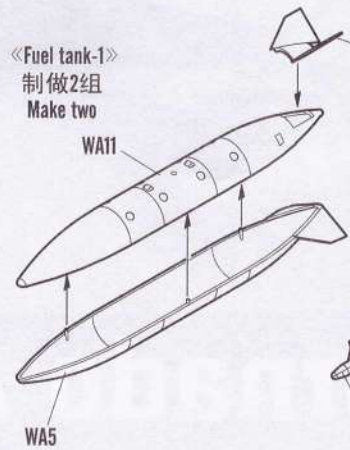
«Fuel tank-2»



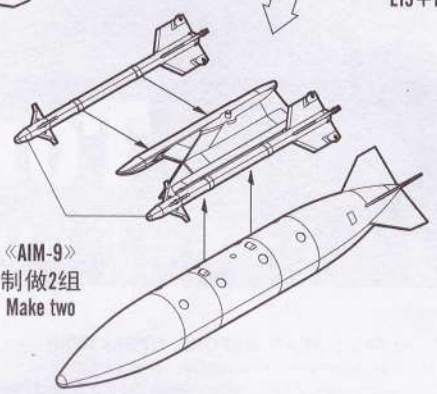
«Fuel tank-3»



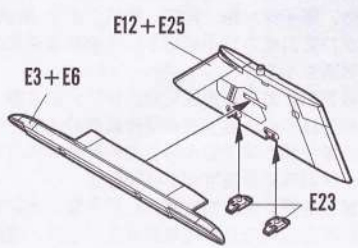
«Fuel tank-1»  
制做2组  
Make two



«AIM-9»  
制做2组  
Make two

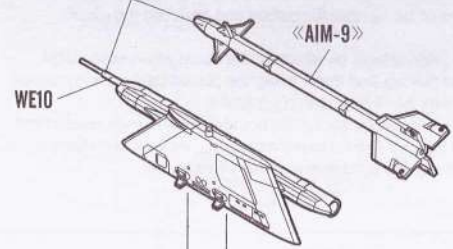


«A»



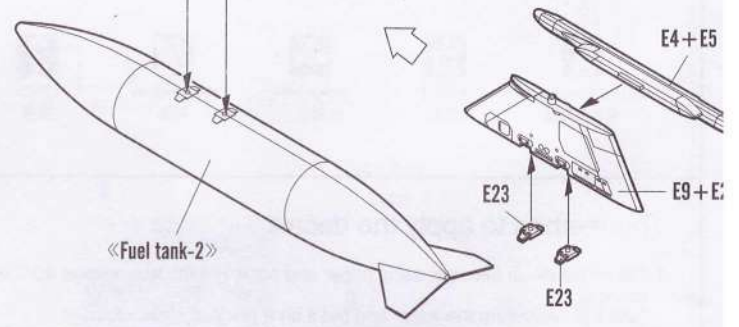
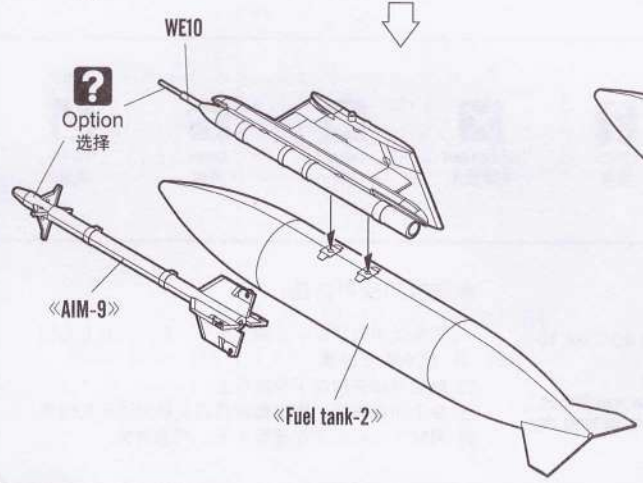
«B»

?  
Option  
选择



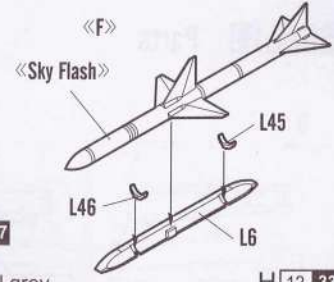
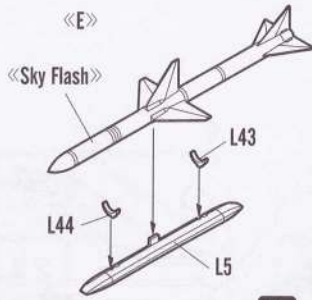
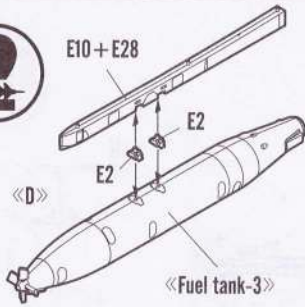
«C»

?  
Option  
选择



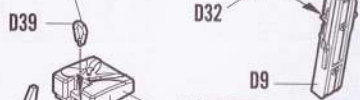


**2**  
STEP



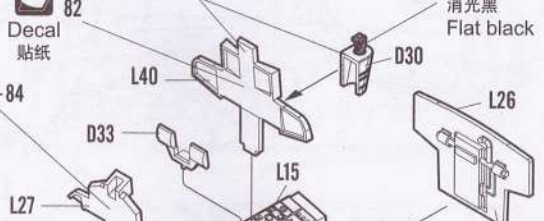
H 317 317  
灰色  
Dark gull grey

H 12 33  
消光黑  
Flat black



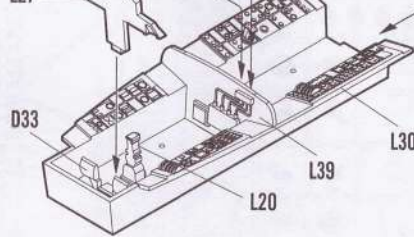
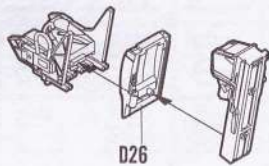
Decal 83+84

<math>\langle\langle \text{座椅} \rangle\rangle</math>  
Seat  
制做2组  
Make two



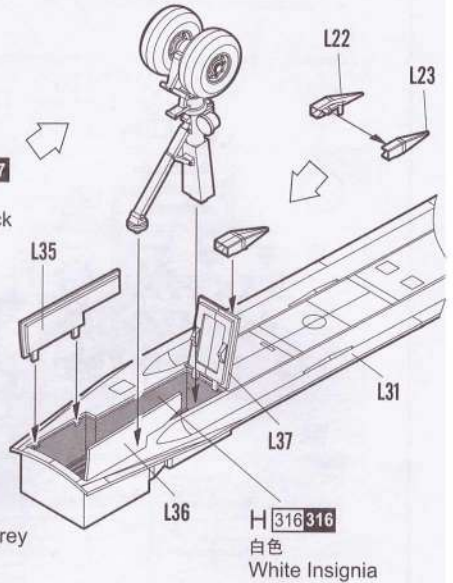
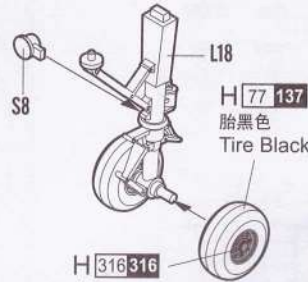
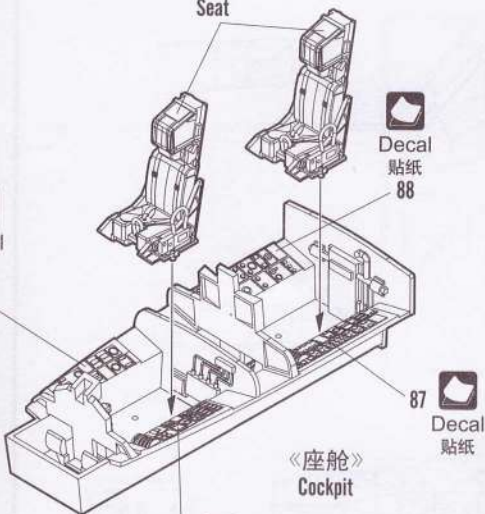
H 12 33  
消光黑  
Flat black

H 317 317  
灰色  
Dark gull grey



<math>\langle\langle \text{座椅} \rangle\rangle</math>  
Seat

<math>\langle\langle \text{前起落架} \rangle\rangle</math>  
Nose undercarriage

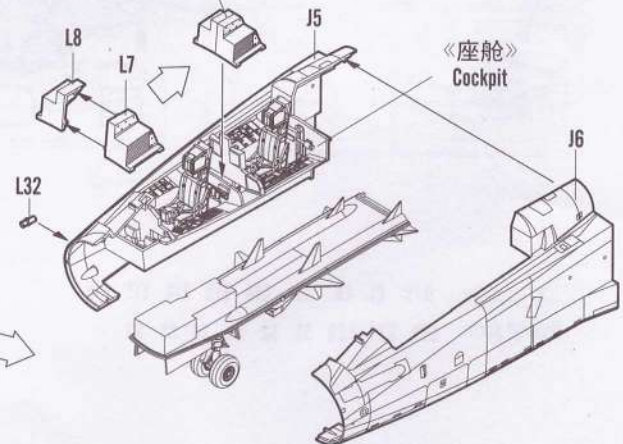
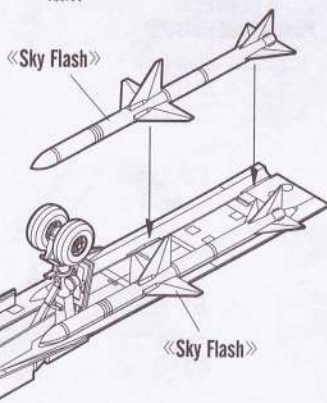


H 316 316  
白色  
White Insignia

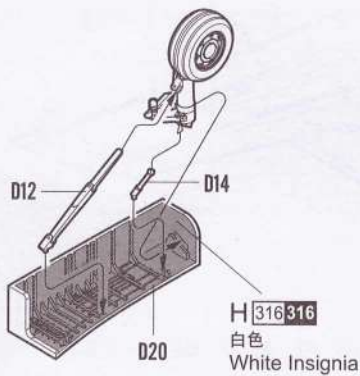
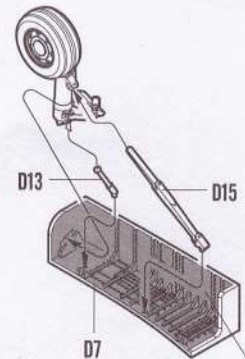
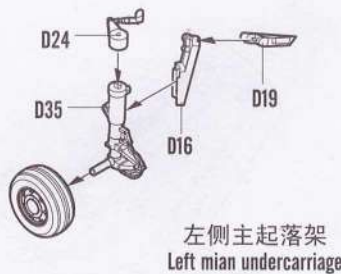
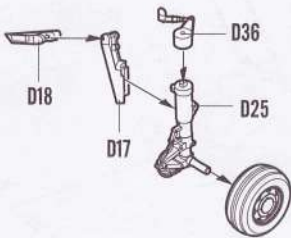
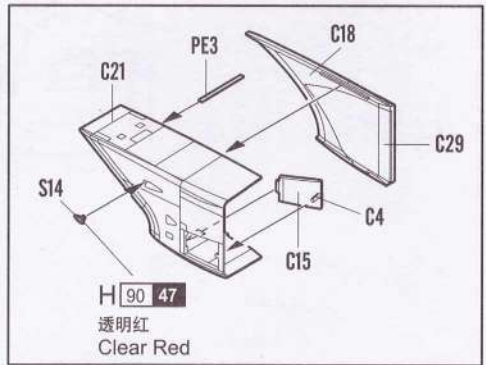
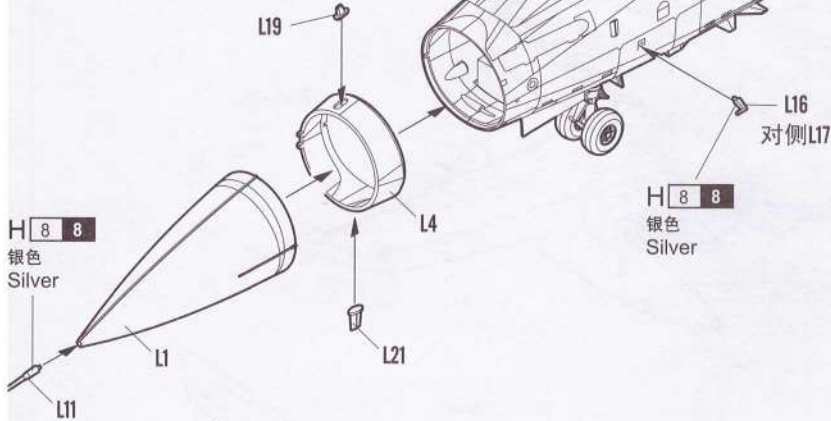
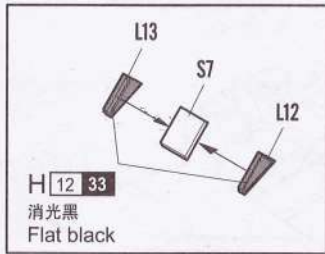
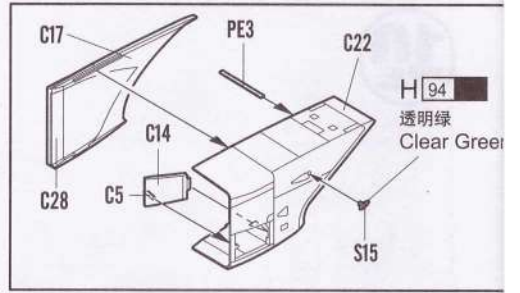
H 317 317  
灰色  
Dark gull grey

H 316 316  
白色  
White Insignia

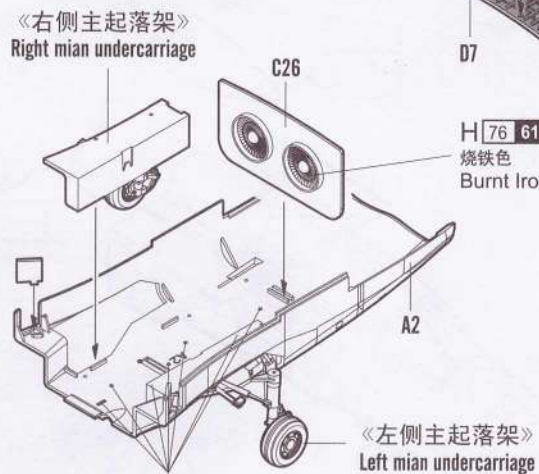
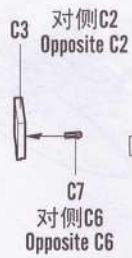
制做2组  
Make two



**3**  
STEP



右侧主起落架  
Right main undercarriage



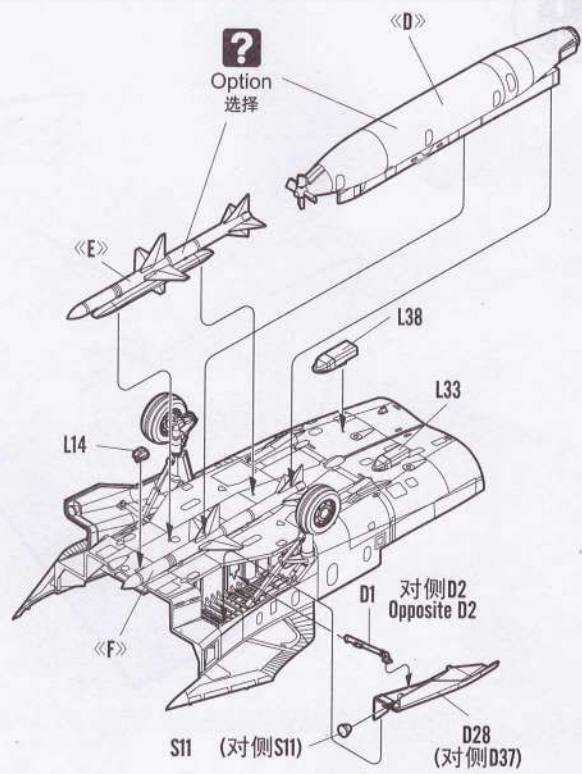
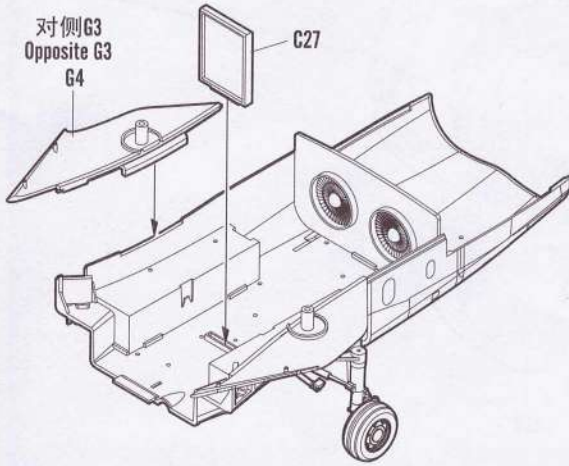
Make holes  
钻孔

左侧主起落架  
Left main undercarriage

H 316 316  
白色  
White Insignia

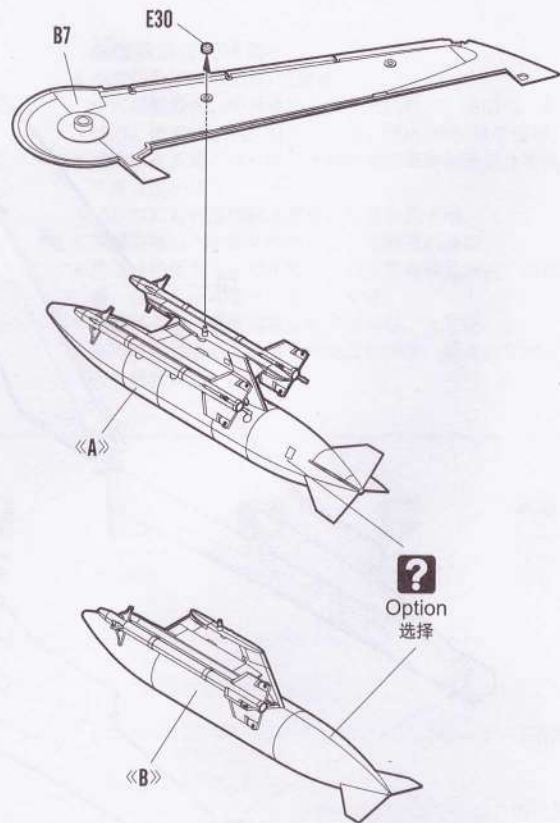
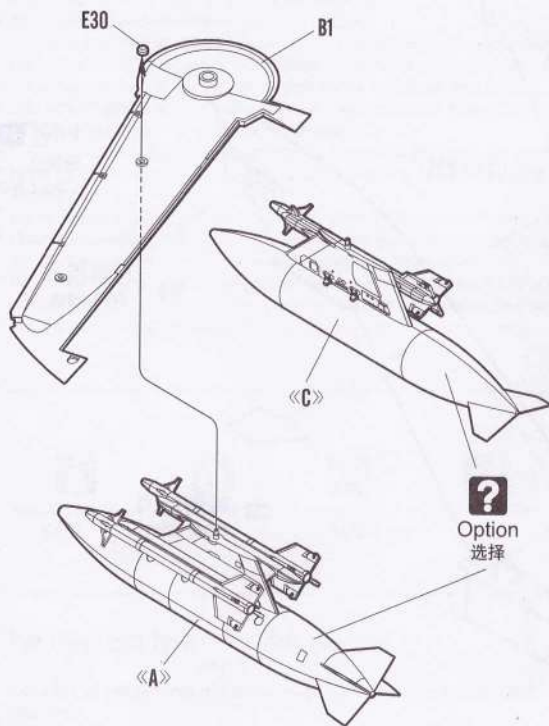
H 76 61  
烧铁色  
Burnt Iron





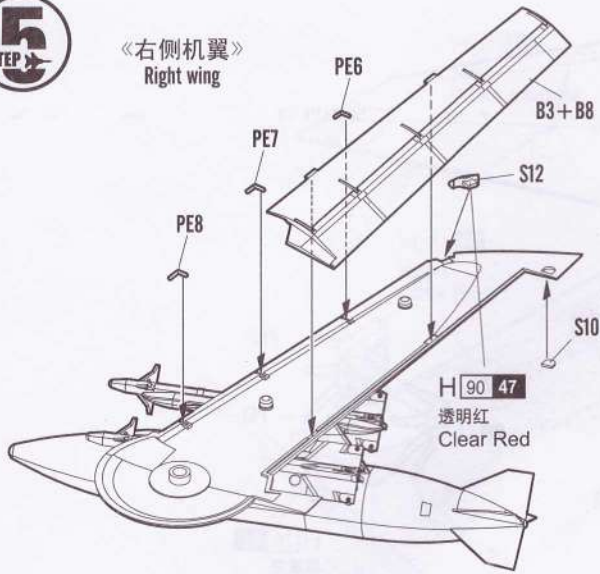
《左侧机翼》  
Left wing

《右侧机翼》  
Right wing

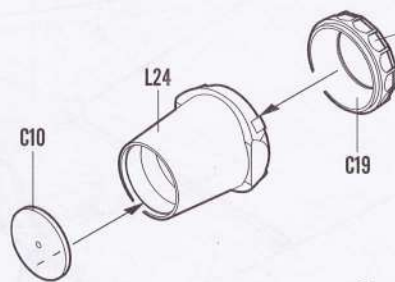
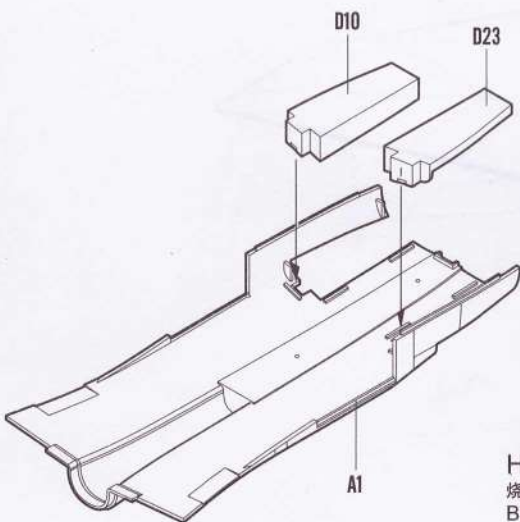
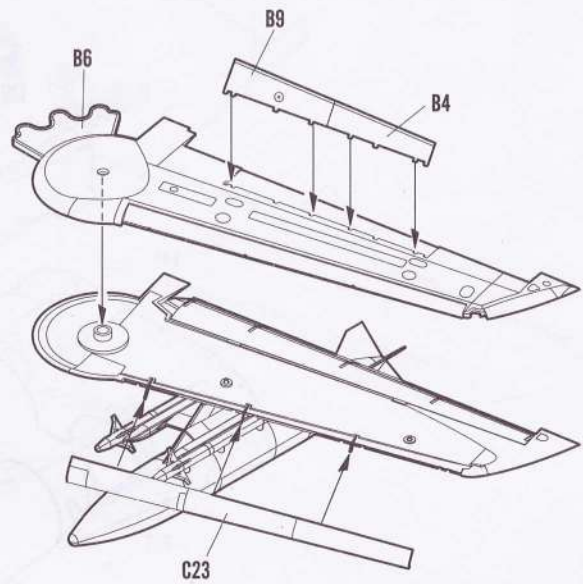
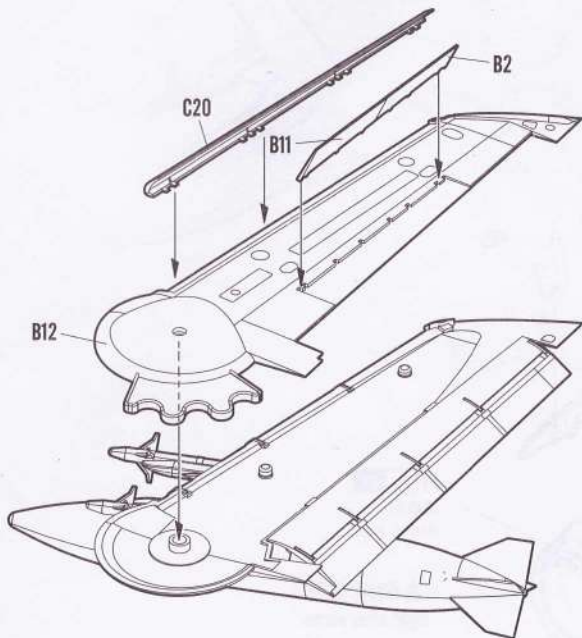
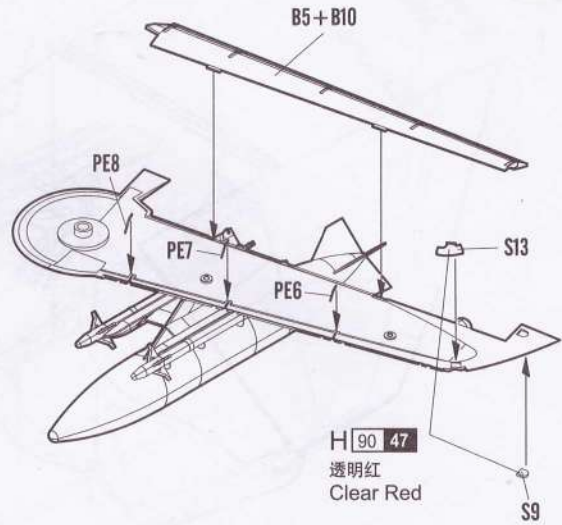


**5**  
STEP

《右侧机翼》  
Right wing

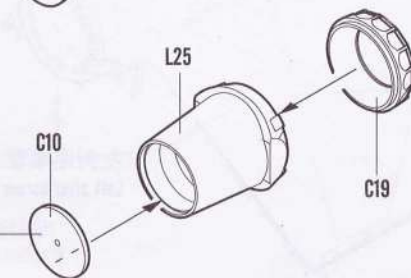


《左侧机翼》  
Left wing



H 76 61  
烧铁色  
Burnt Iron

《左侧尾喷管》  
Left after burner



H 76 61  
烧铁色  
Burnt Iron

《右侧尾喷管》  
Right after burner

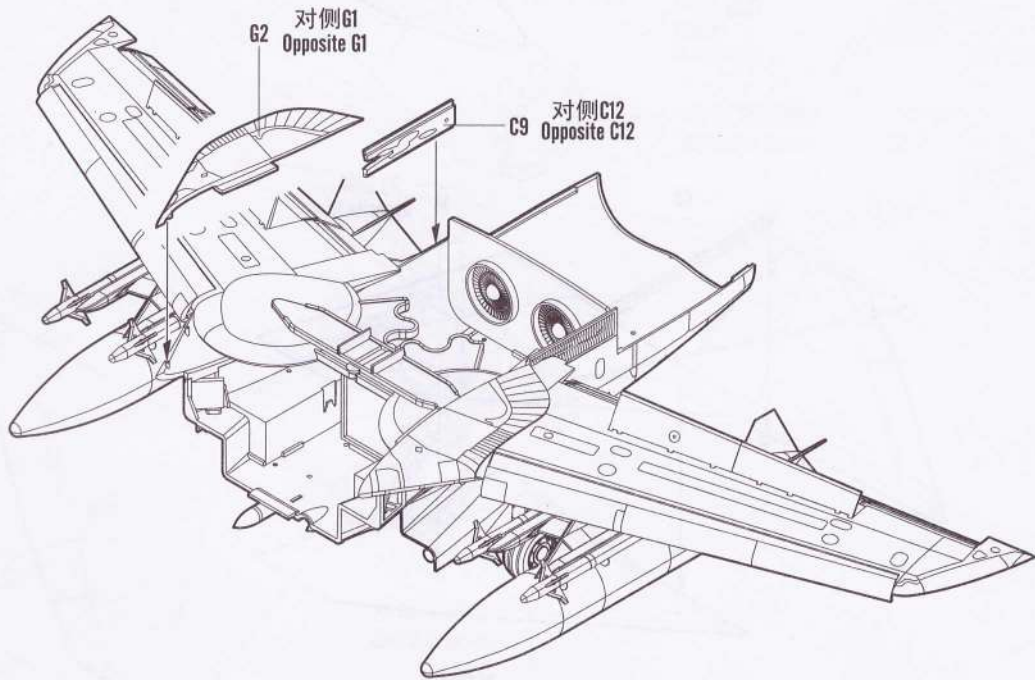


6  
STEP

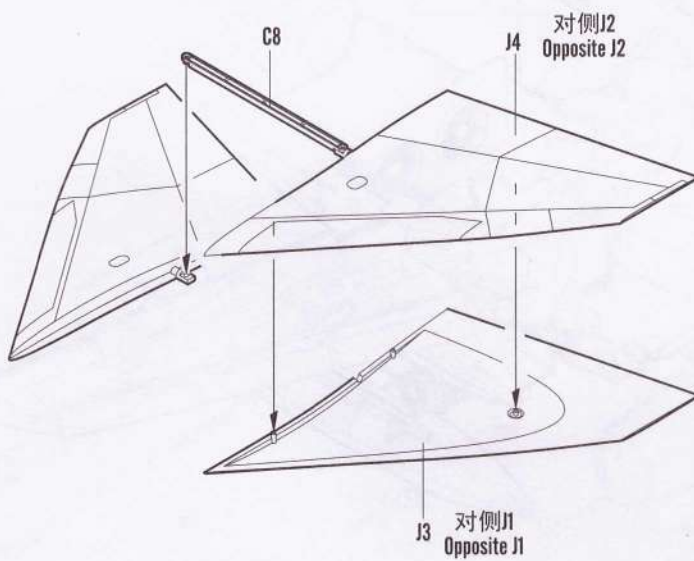
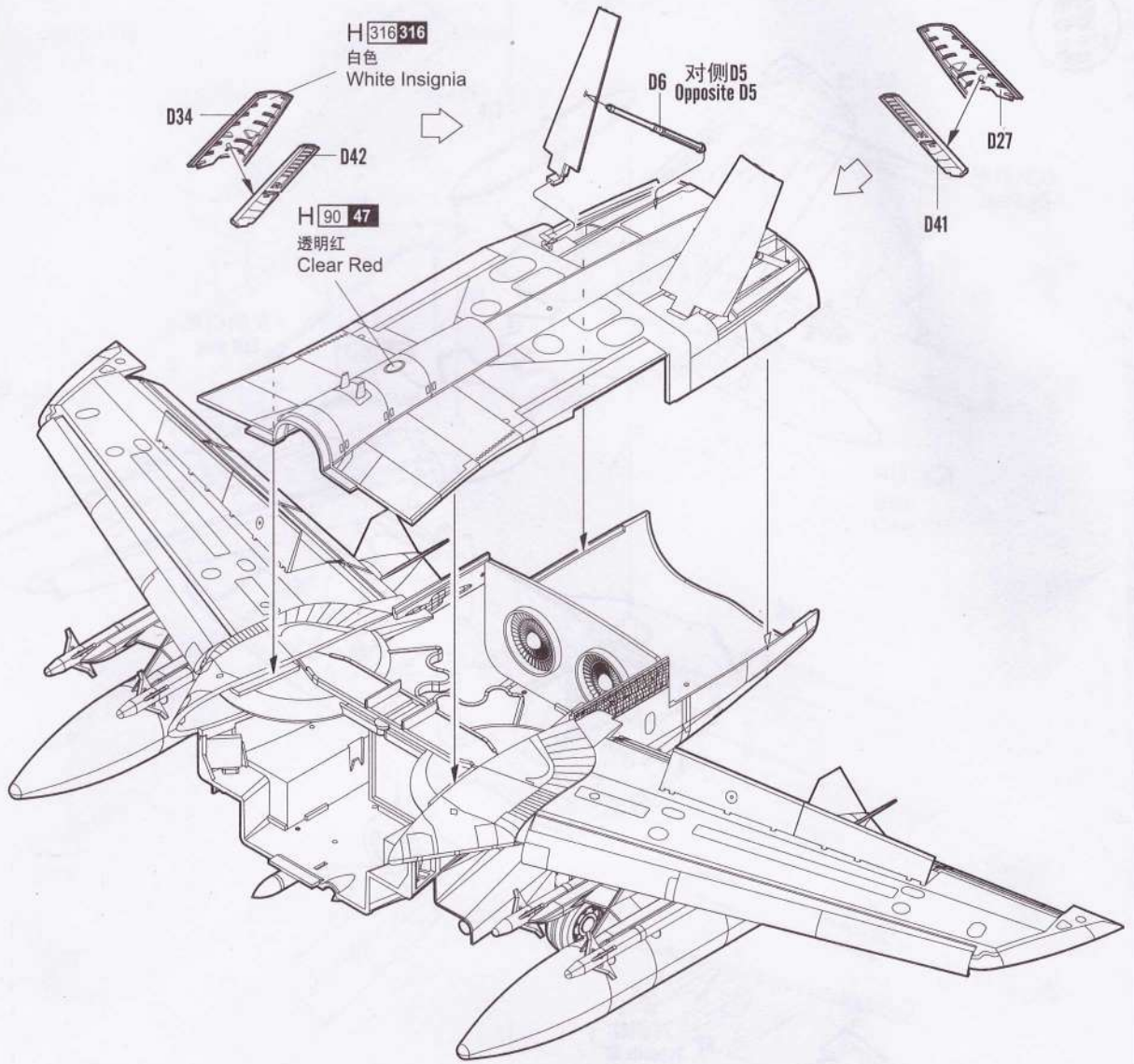
《右侧机翼》  
Right wing

C16

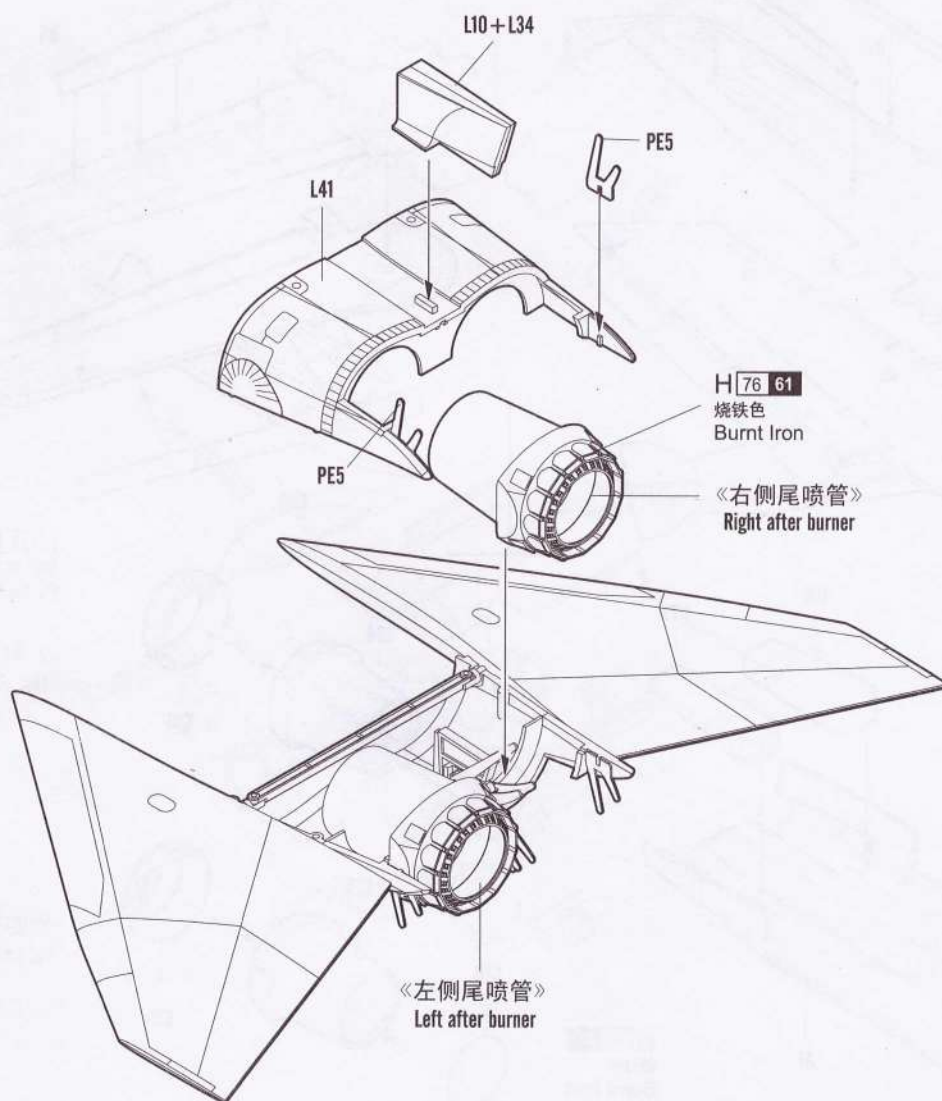
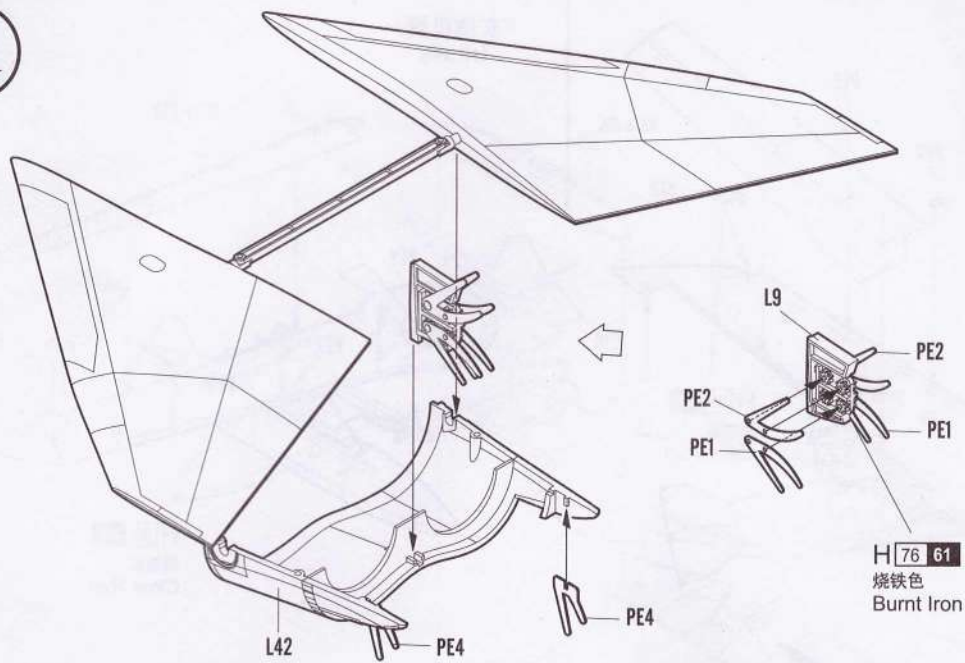
《左侧机翼》  
Left wing

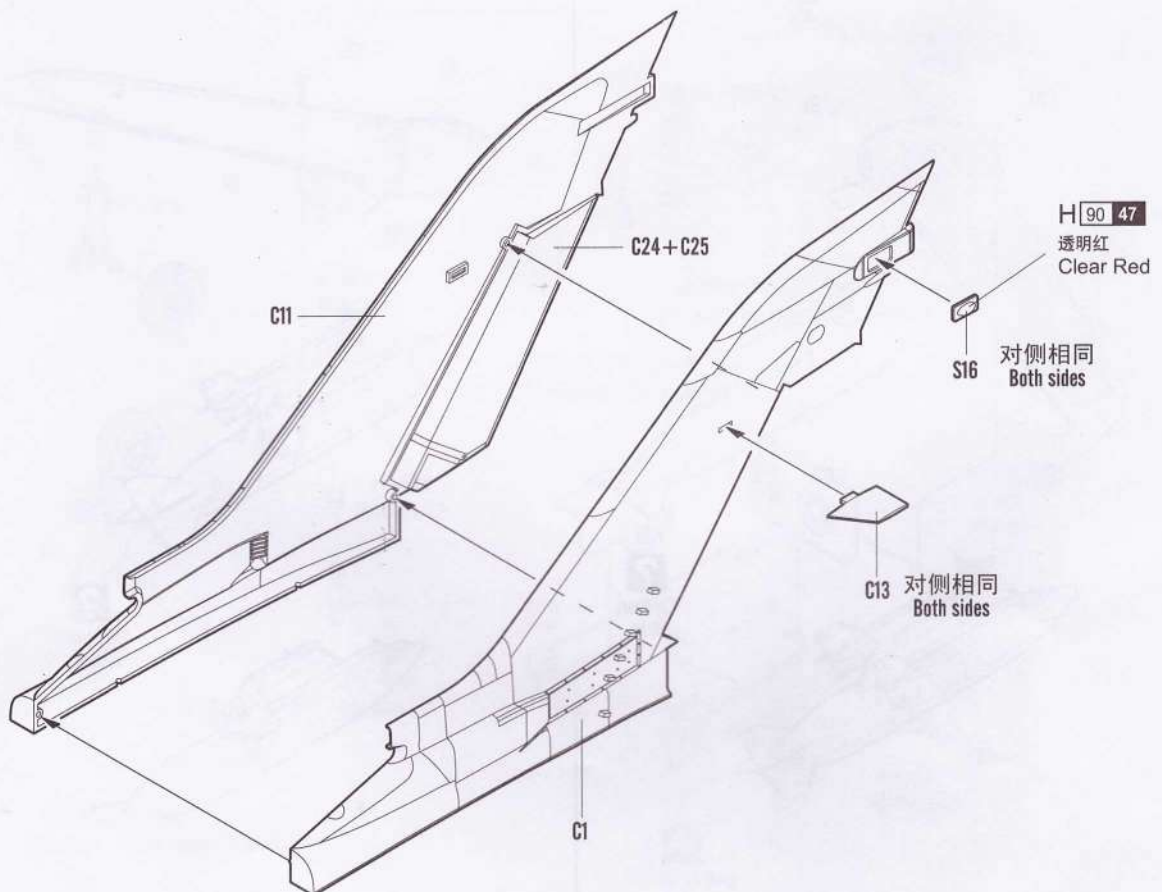
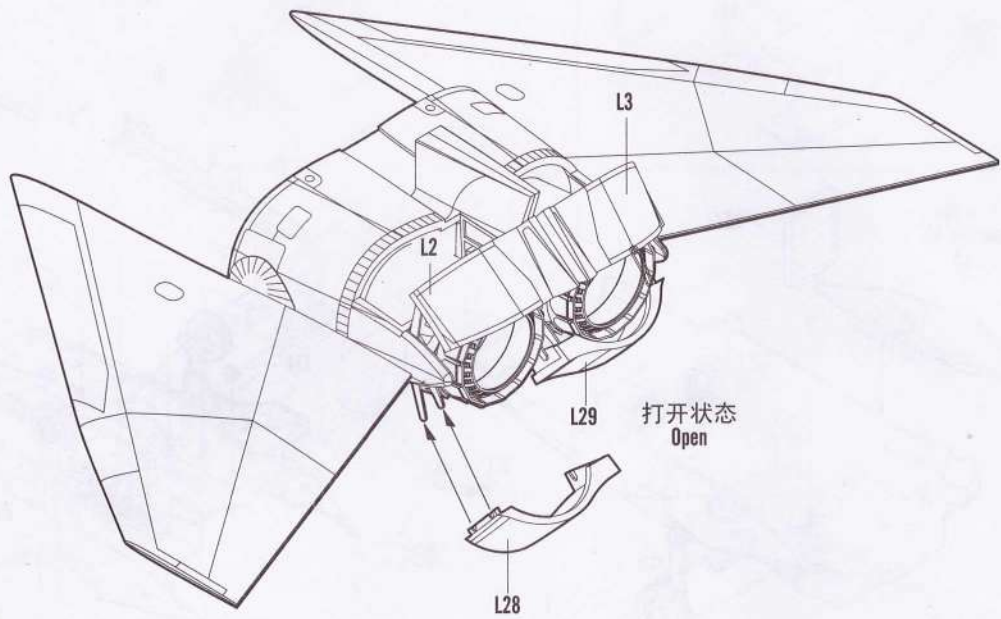


**7**  
STEP



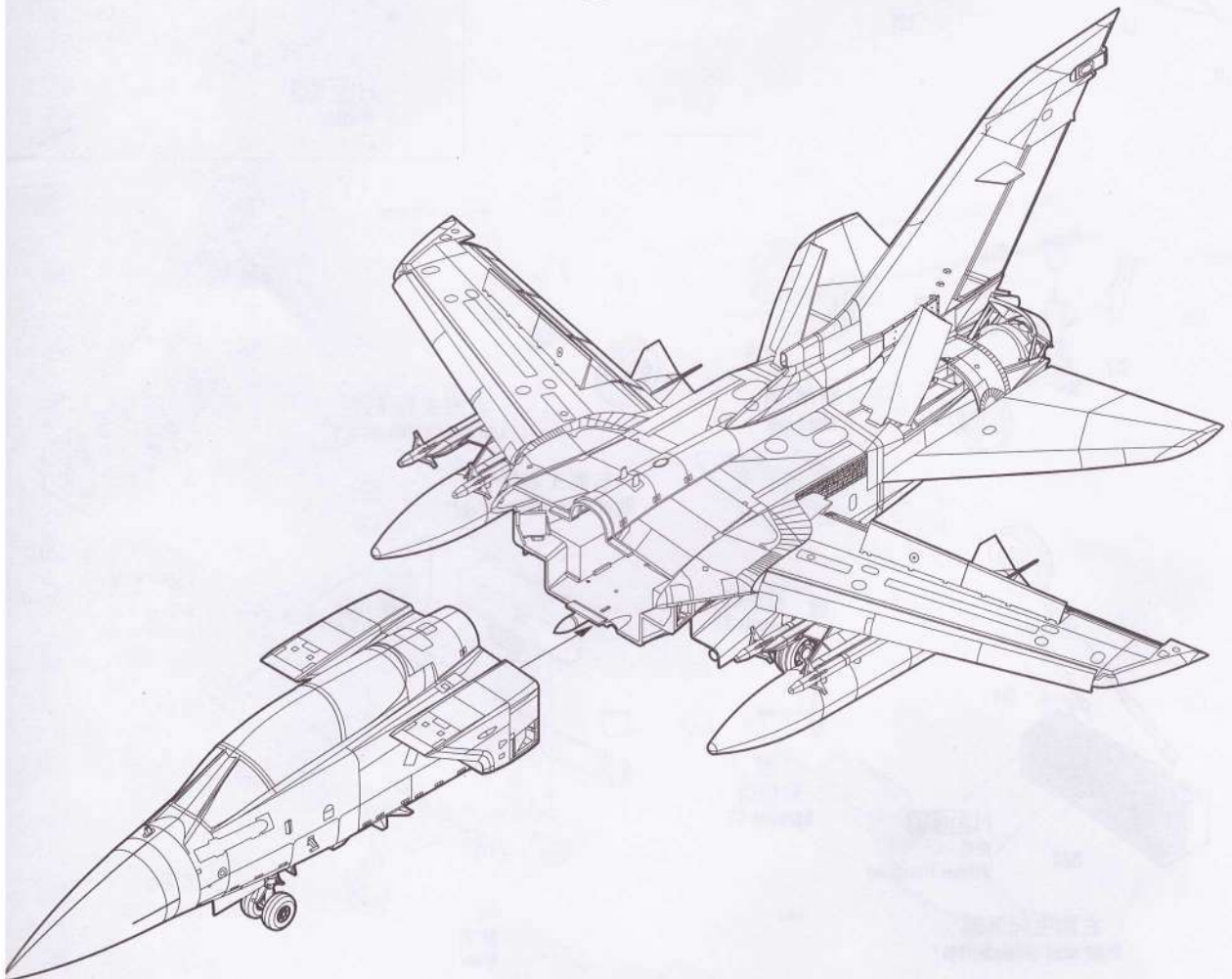
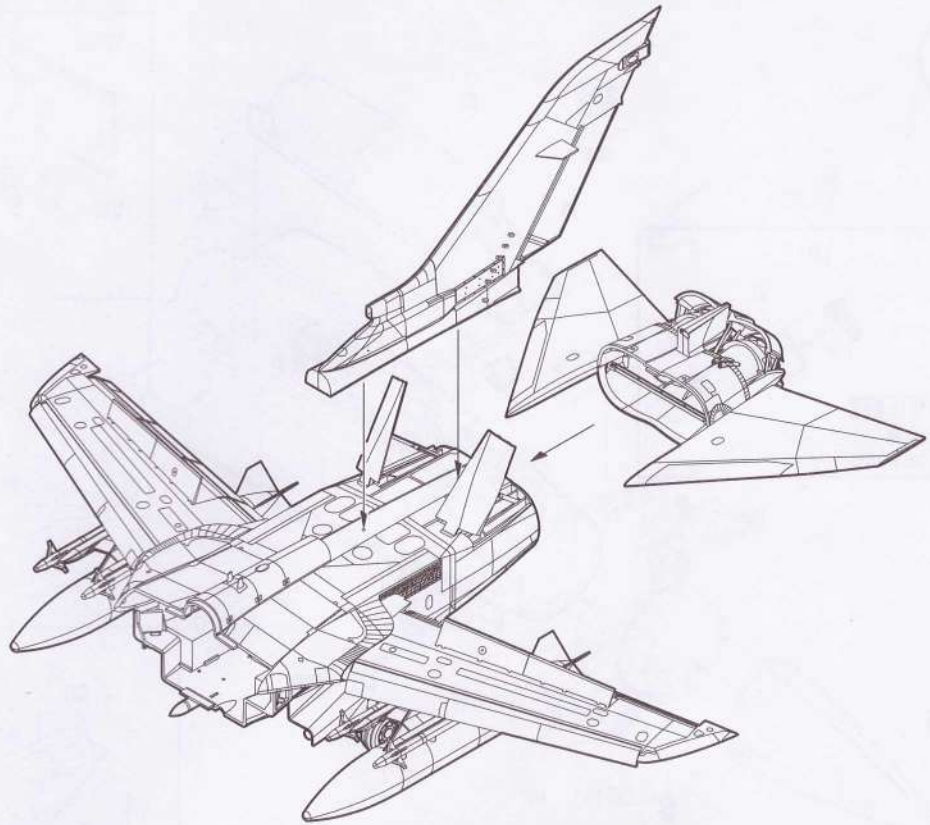








10  
STEP

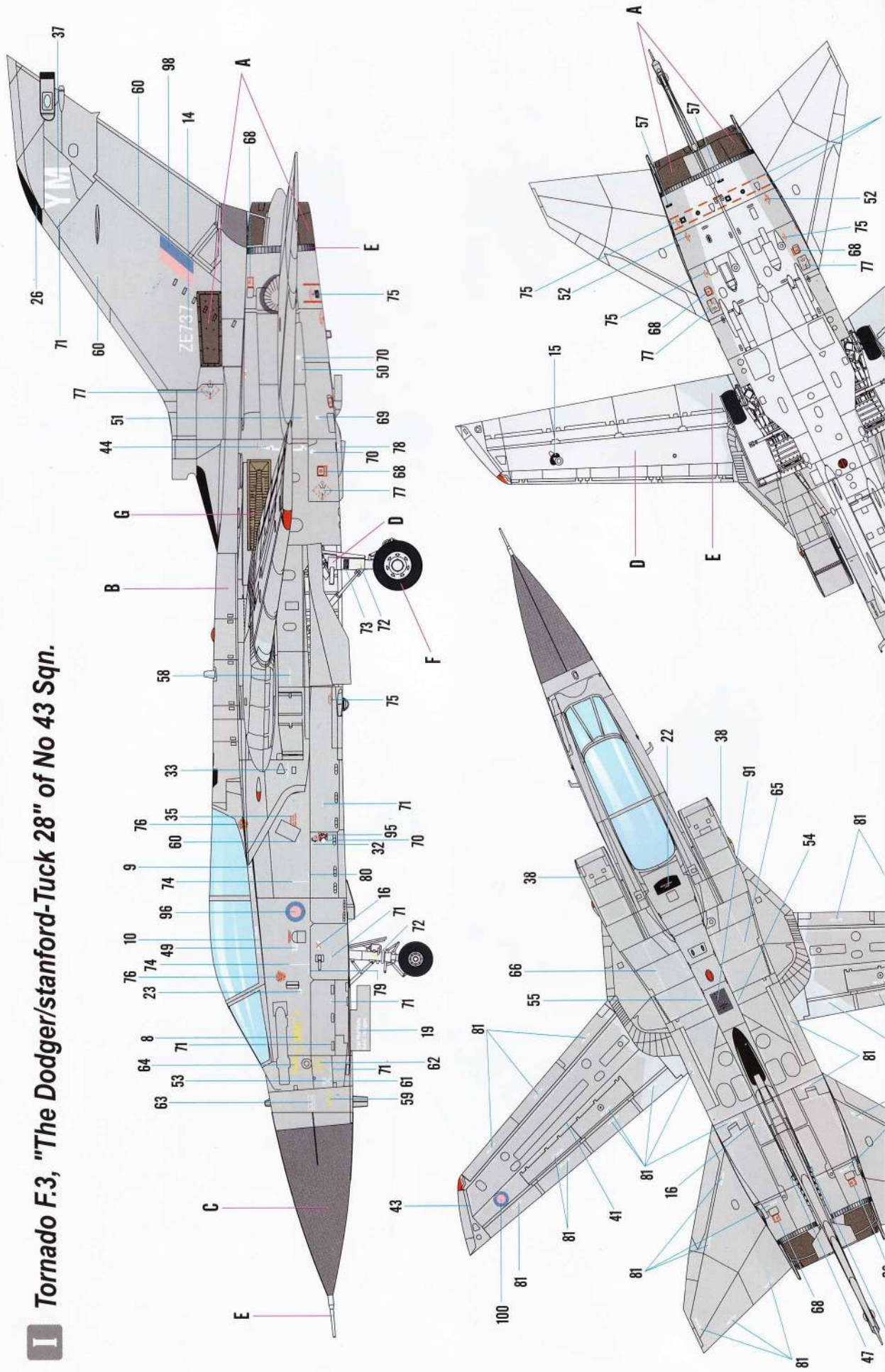


标贴与涂装  
MARKING & PAINTING

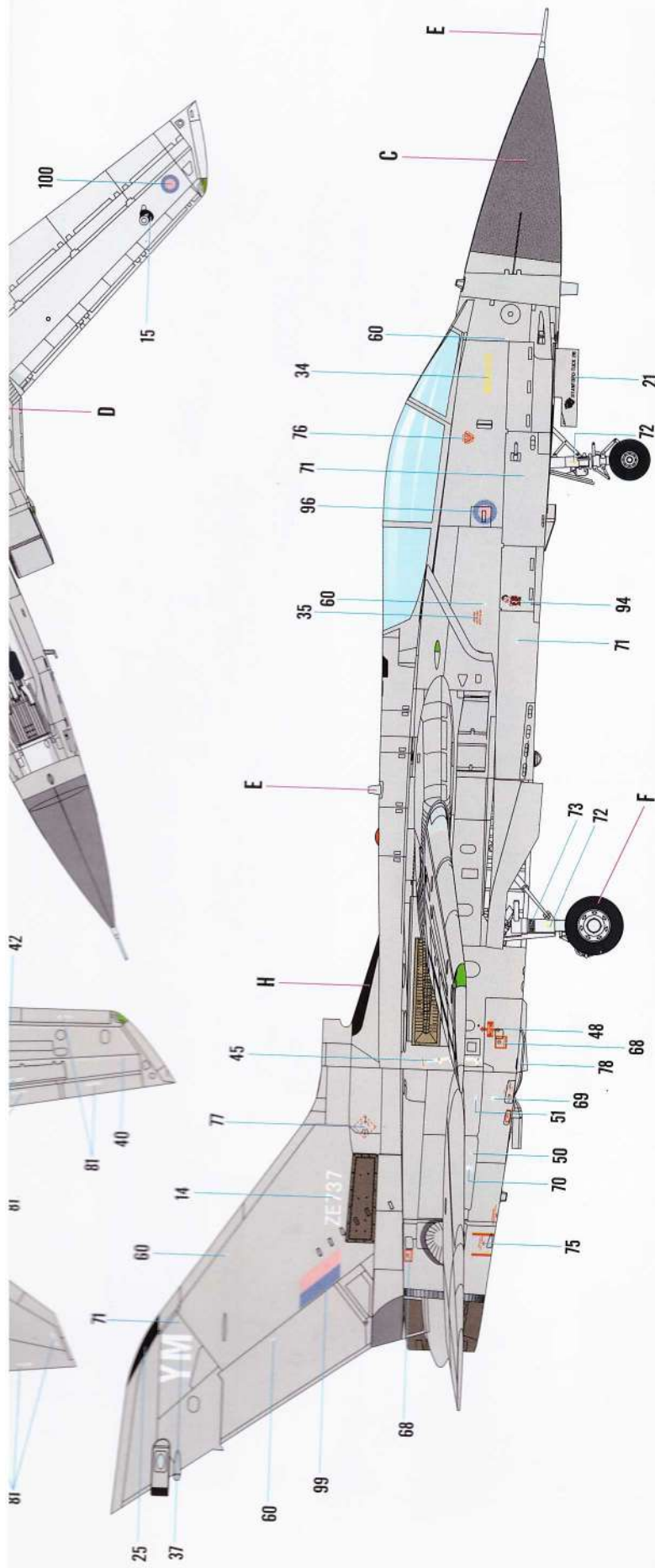
# Tornado ADV

トーネード ADV

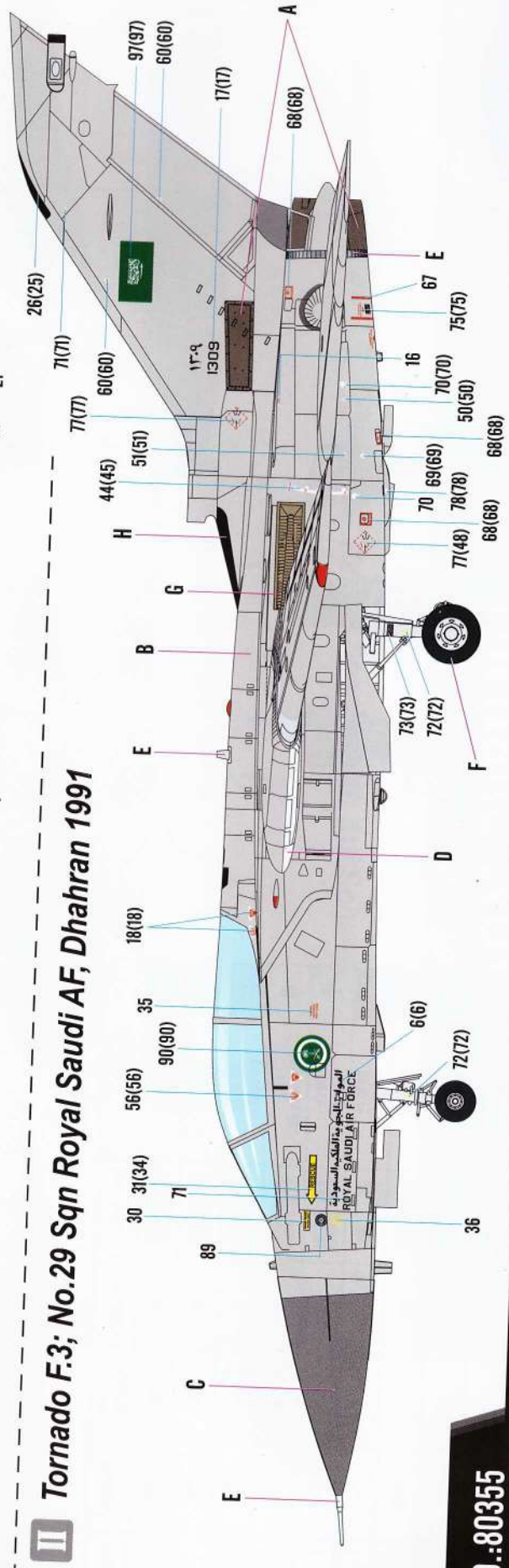
“狂风” ADV拦截战斗机







**II Tornado F.3; No.29 Sqn Royal Saudi AF, Dhahran 1991**



**NO.:80355**

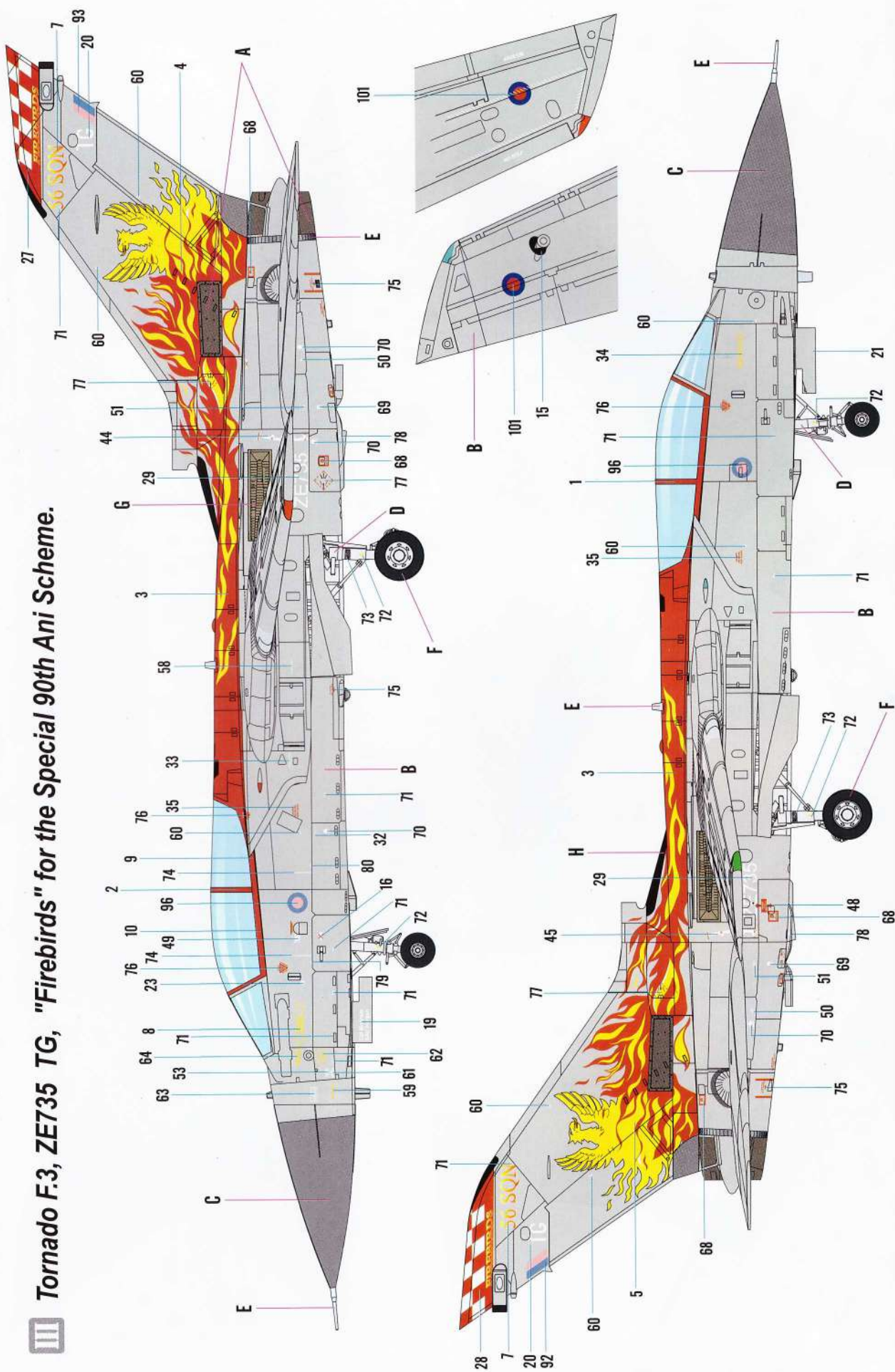
※ Some paints may not be available in your country. Please check your local hobby shop for substitute

# Tornado ADV

“狂风” ADV拦截战斗机

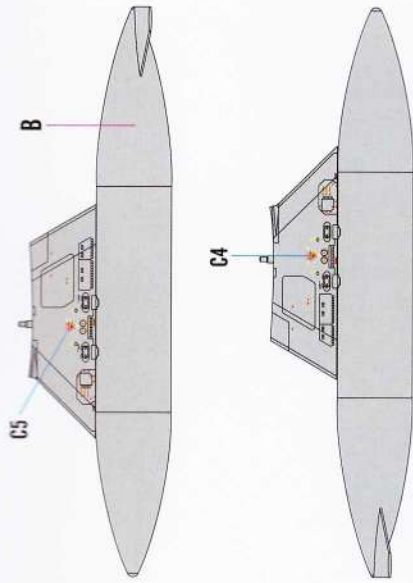
MARKING & PAINTING

## III Tornado F.3, ZE735 TG, "Firebirds" for the Special 90th Ani Scheme.

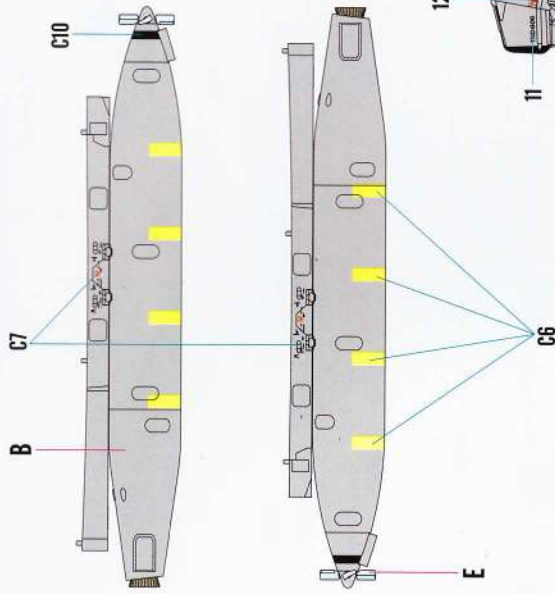




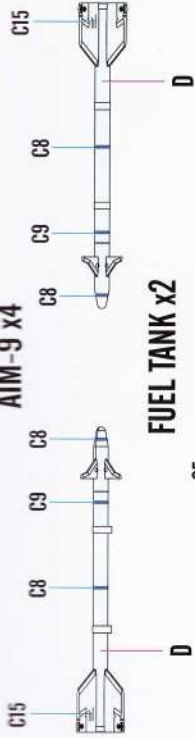
**FUEL TANK x1**



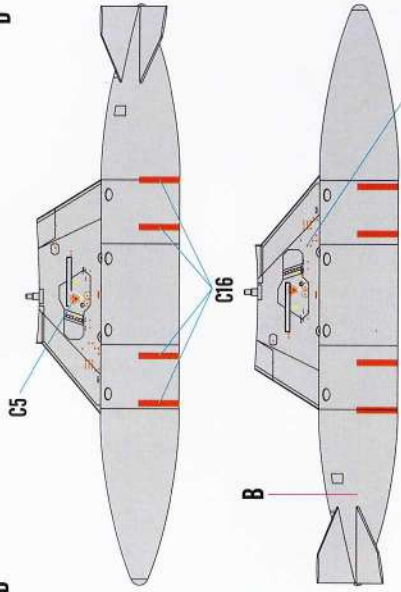
**FUEL TANK x1**



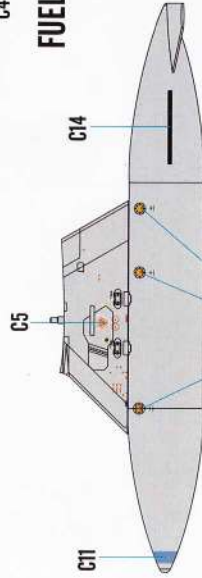
**AIM-9 x4**



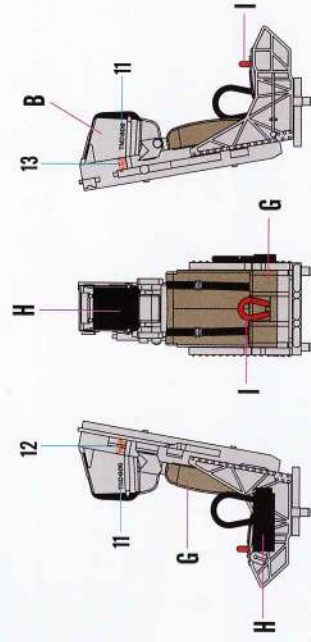
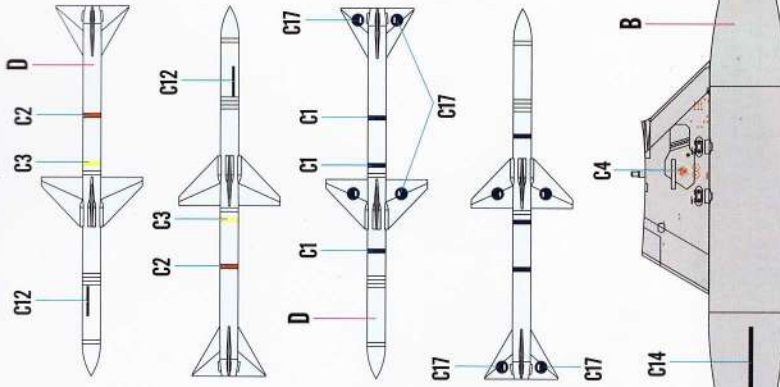
**FUEL TANK x2**



**FUEL TANK x1**



**Sky Flash x4**



| Color                  | Mr.Hobby  | Vallejo | Model Master | Tamiya | Humbrol |
|------------------------|-----------|---------|--------------|--------|---------|
| A 烧铁色<br>Burned Iron   | H 76 61   | 863     | 1795         | X10    | 53      |
| B 浅灰色<br>Light Gray    | H 338 338 | 907     | 1732         | XF14   | 147     |
| C 麦灰色<br>Barley Gray   | H 334 334 | -       | -            | XF19   | 167     |
| D 白色<br>White Insignia | H 316 316 | 991     | 1745         | X2     | 22      |
| E 银色<br>Silver         | H 8 8     | 997     | 1546         | X11    | 11      |
| F 胎黑色<br>Tyre Black    | H 77 137  | -       | -            | -      | -       |
| G 卡其色<br>Khaki         | H 81 55   | 988     | -            | XF49   | 26      |
| H 消光黑<br>Flat Black    | H 12 33   | 950     | 1749         | XF1    | 33      |
| I 红色<br>Red            | H 3 3     | 908     | 1503         | X7     | 19      |

**NO.:80355**

※ Some paints may not be available in your country. Please check your local hobby shop for substitute.