

92093

Lightning P-322 I

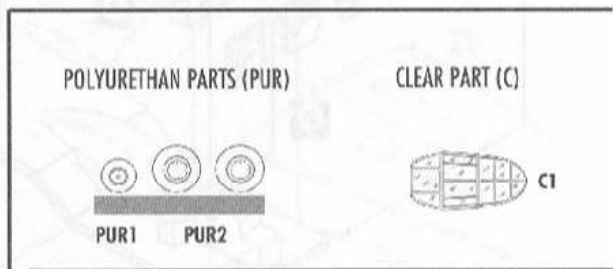
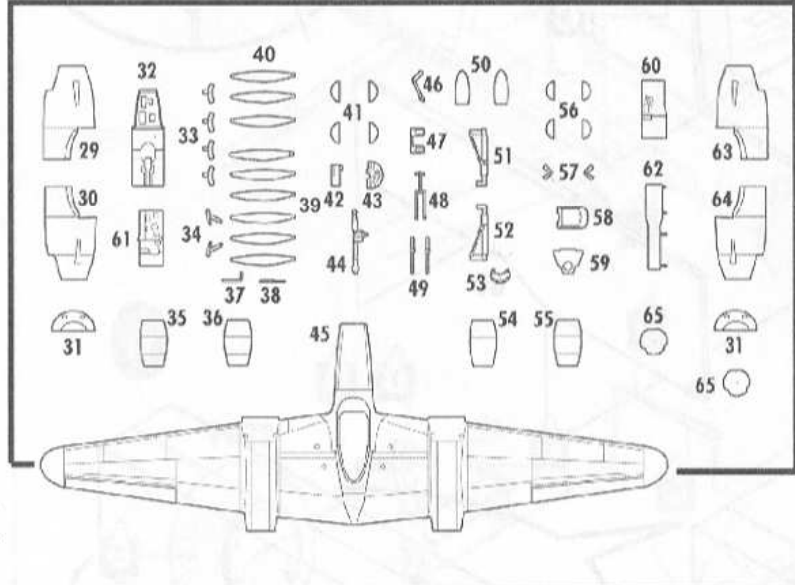
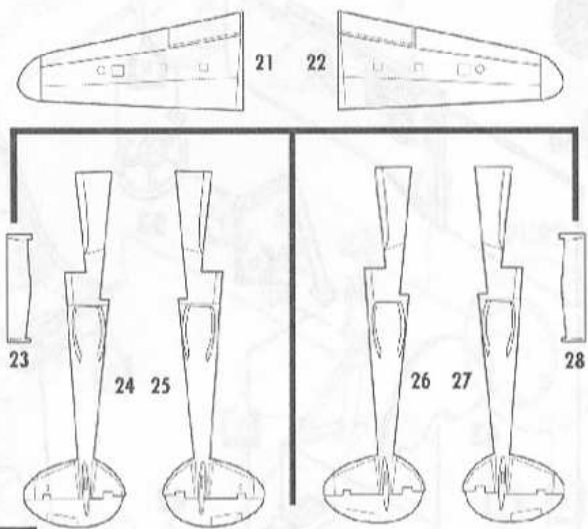
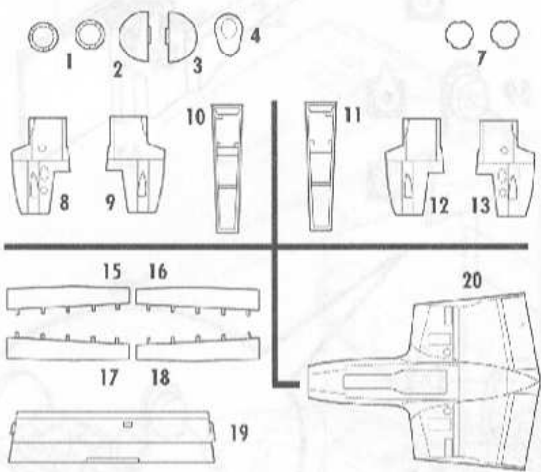
scale 1/72



The P-322 designation was used for aircraft taken over by the USAAF after the RAF cancelled an order for 667 P-38 Lightnings in 1942. This order had been inherited from the French, and had been for a simplified version of the aircraft, without the turbo-superchargers used by all USAAF P-38s.

Before receiving its first Lightnings, the RAF had changed its order to include 146 Lightning Mk Is, as ordered by the French, and 524 Mk IIs, which would have closely resembled the P-38E. The USAAF took over the British order, and completed the 524 Mk IIs as standard P-38Fs and P-38Gs.

The earlier aircraft was also taken over. Twenty two were completed as ordered, and given the designation P-322-I. The remaining 121 were given "F" series engines, as used in American P-38s, although they still lacked the turbo-supercharger. These aircraft were given the designation P-322-II. In American service these aircraft were used as advanced trainers, providing an ideal way to introduce new pilots to the P-38 without the added complexity of the turbo-supercharger for them to worry about.

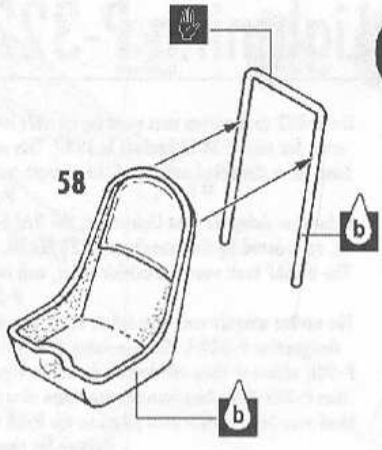
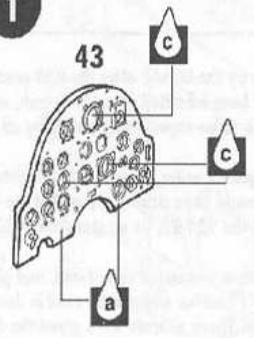


COLORS	
a Černá Black	h Červená Red
b Interiér. Zlatá Zinc Chromate	i Bílá White
c Stříbrná Silver	j Žlutá Yellow
d Plátno Linen	k Pneumatiky Tyres Black
e Kůže Leather	l Rezavá Rust
f Hliníková Aluminium	m Tmavá šedá Dark Grey
g Chromová Chrome	n Kevová Gun metal

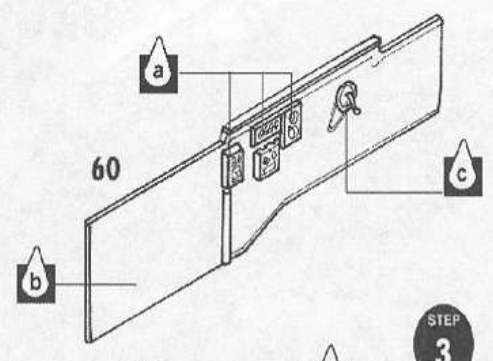
LEGEND

- ohnout
bend
- vteřinové lepidlo
cyanoacrylate glue
- odstranit
remove
- upravit
reduce
- vrtat
open hole
- vyrobit
scratch build
- (D) obtisk
decal
- barva
color
- (F) film

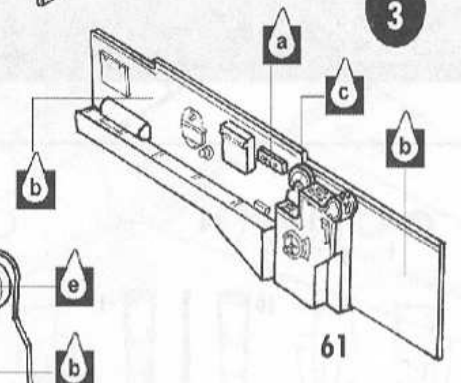
STEP 1



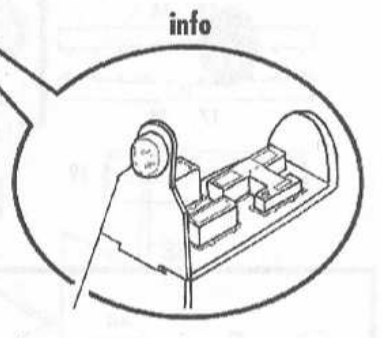
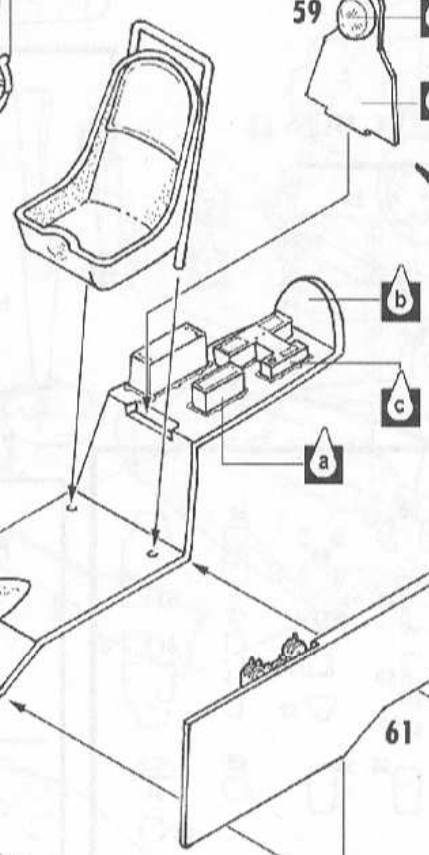
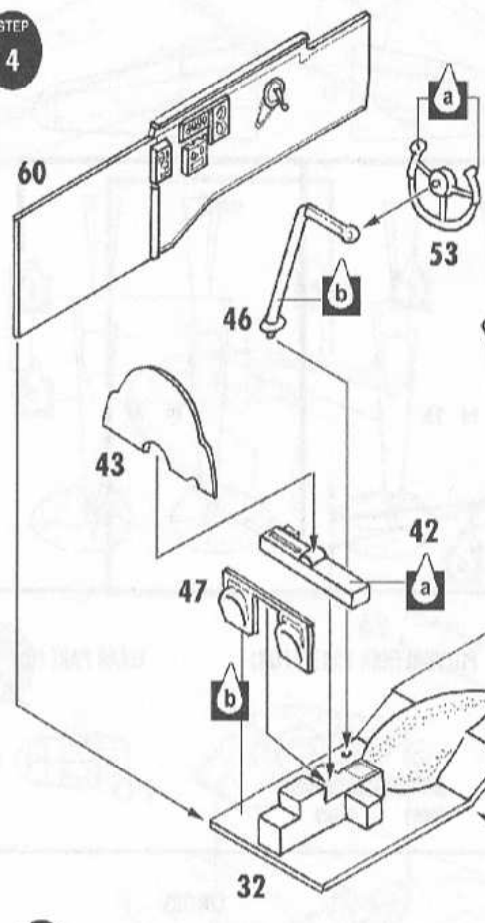
STEP 2



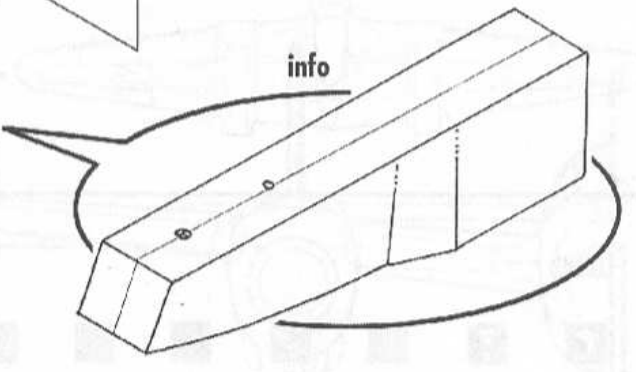
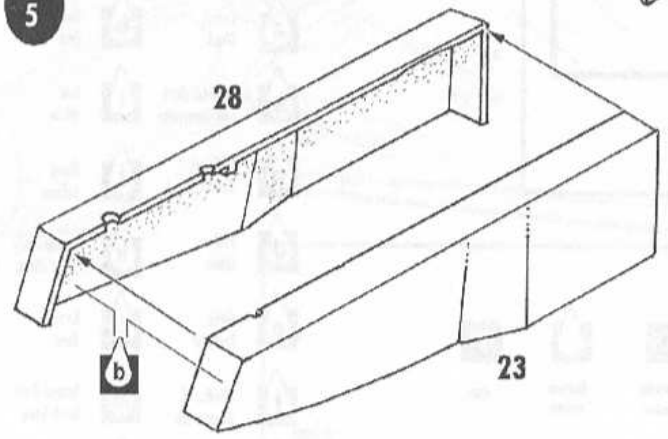
STEP 3



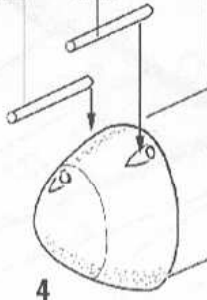
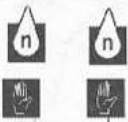
STEP 4



STEP 5



STEP 6

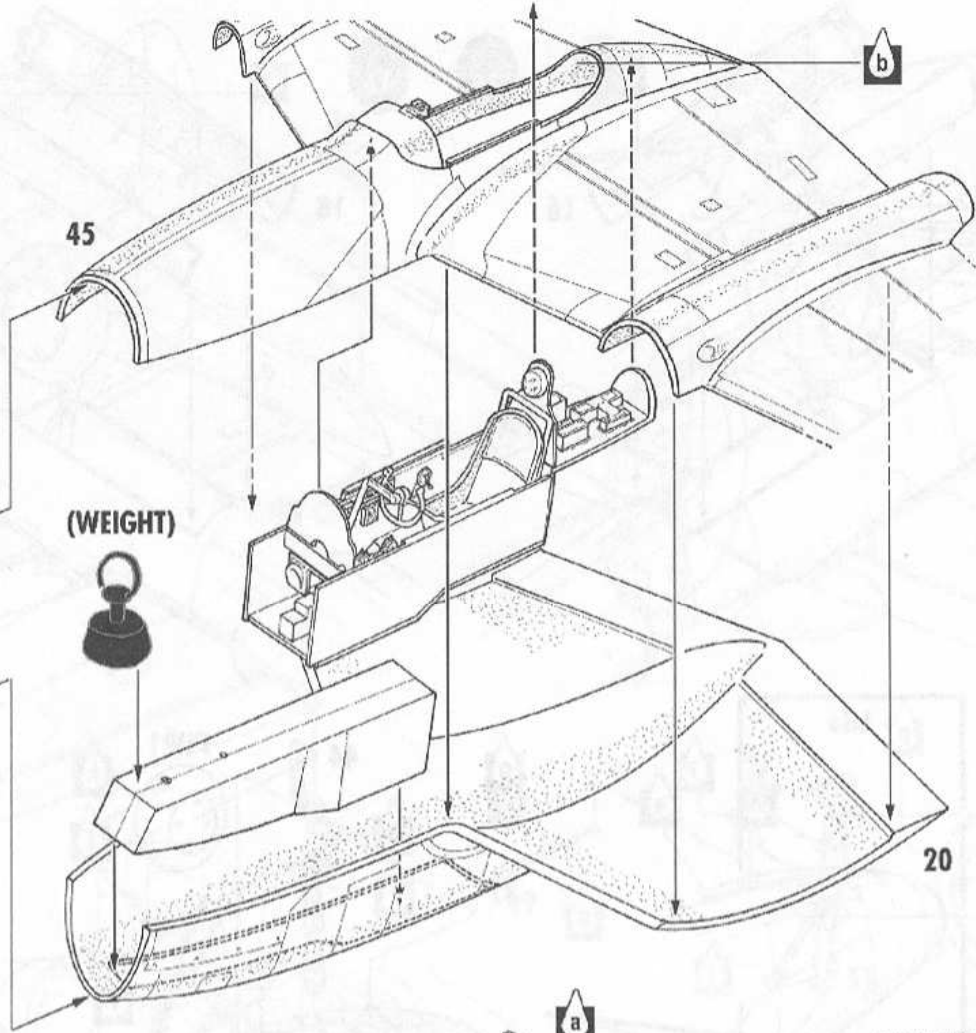


45

(WEIGHT)

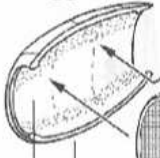


b



20

55



56

41

(LEFT TAIL STRUCTURE)

STEP 8

a

56

41

a

35

36

56

a

56

f

41

41

54

24

11

b

27

f

26

STEP 7

(RIGHT TAIL STRUCTURE)

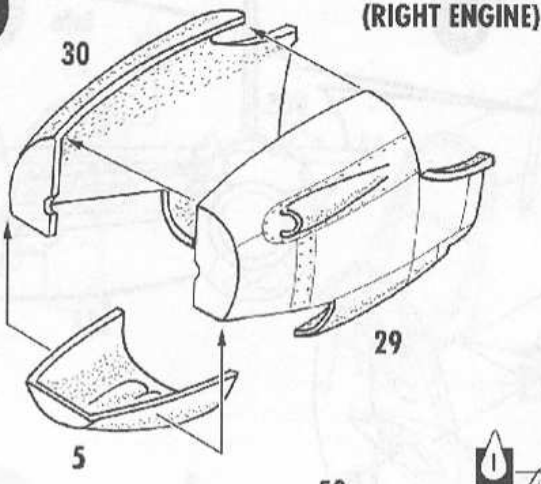
10

b

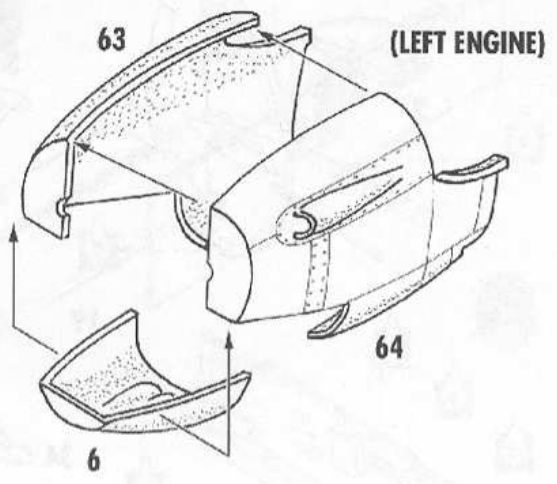
25

f

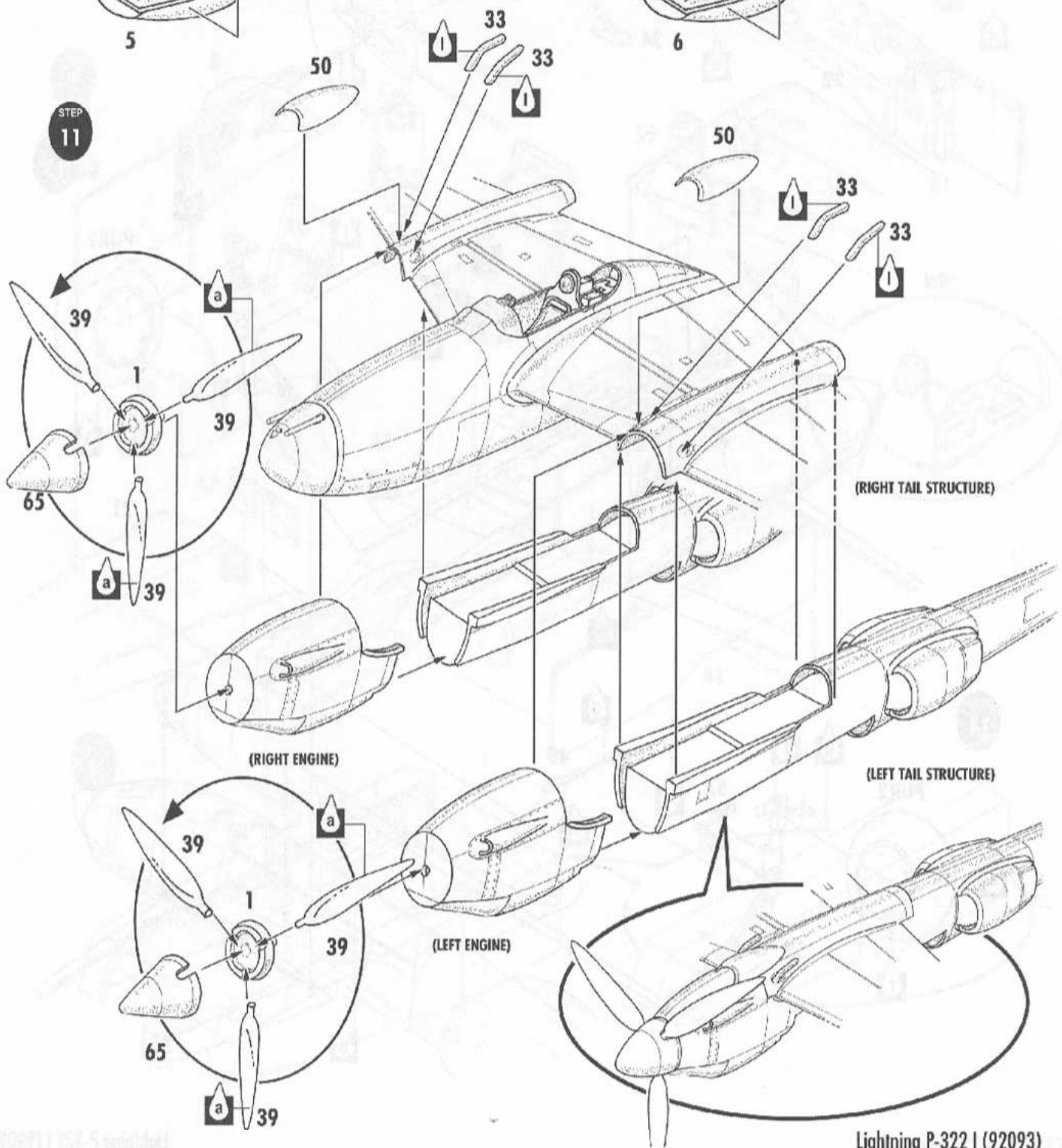
STEP 9



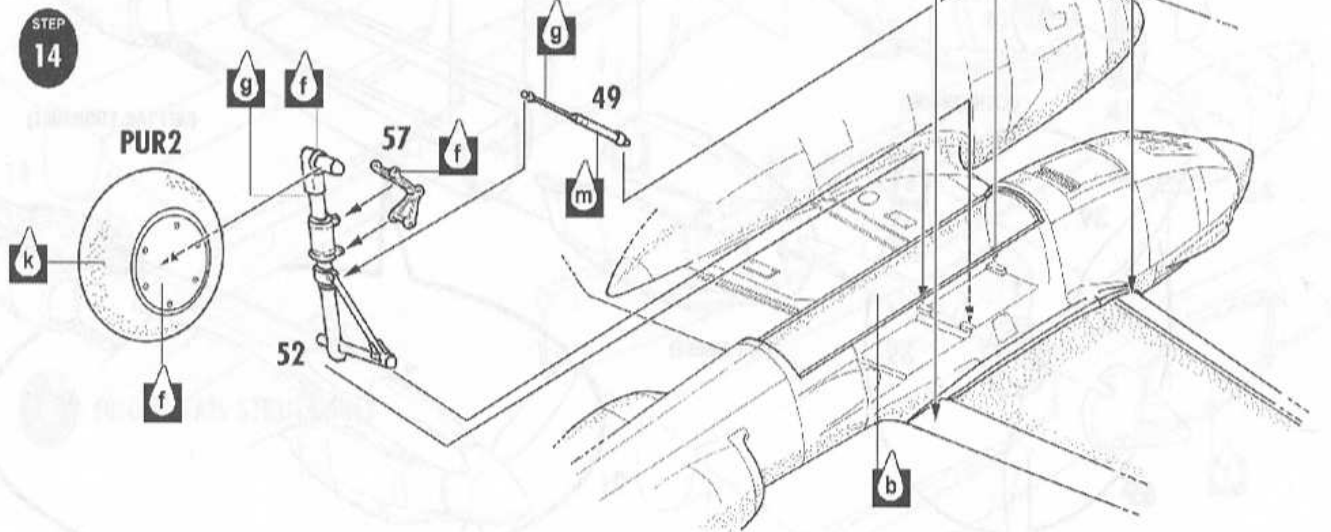
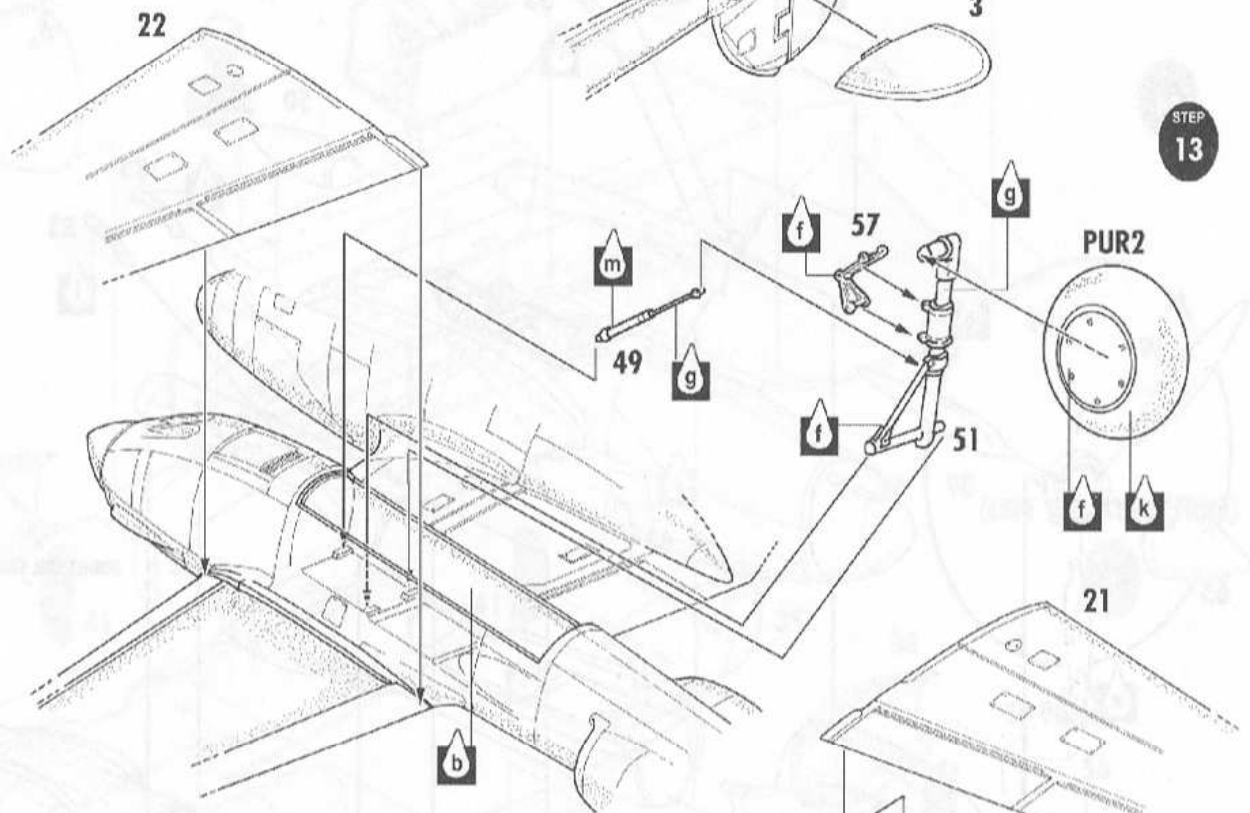
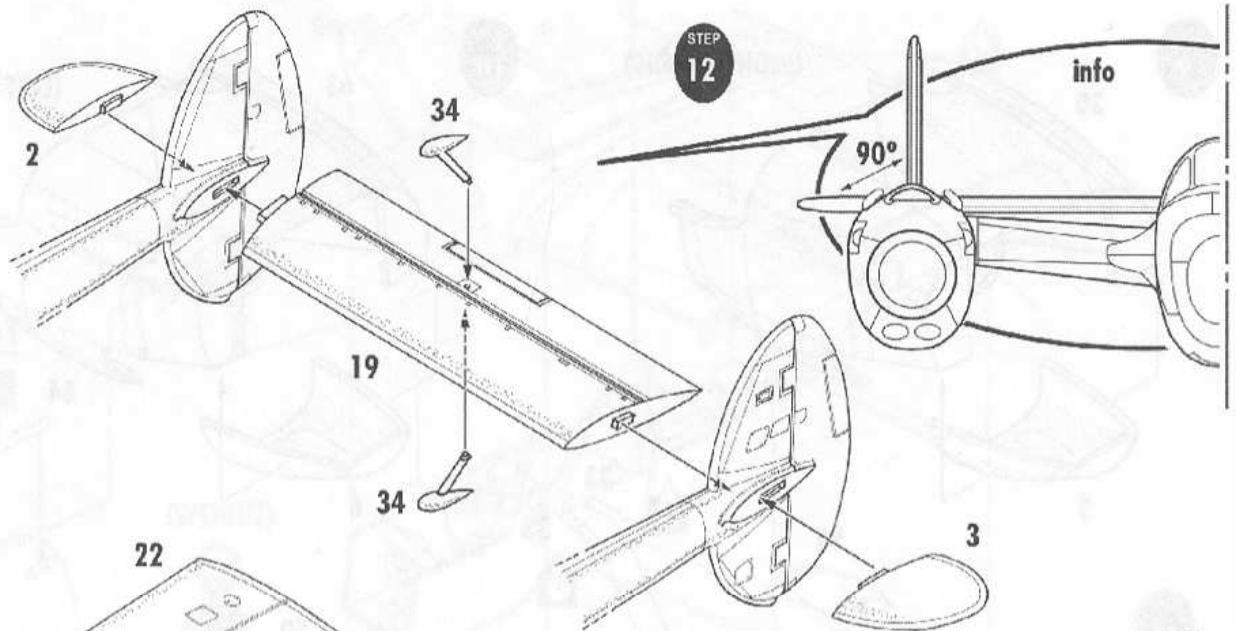
STEP 10

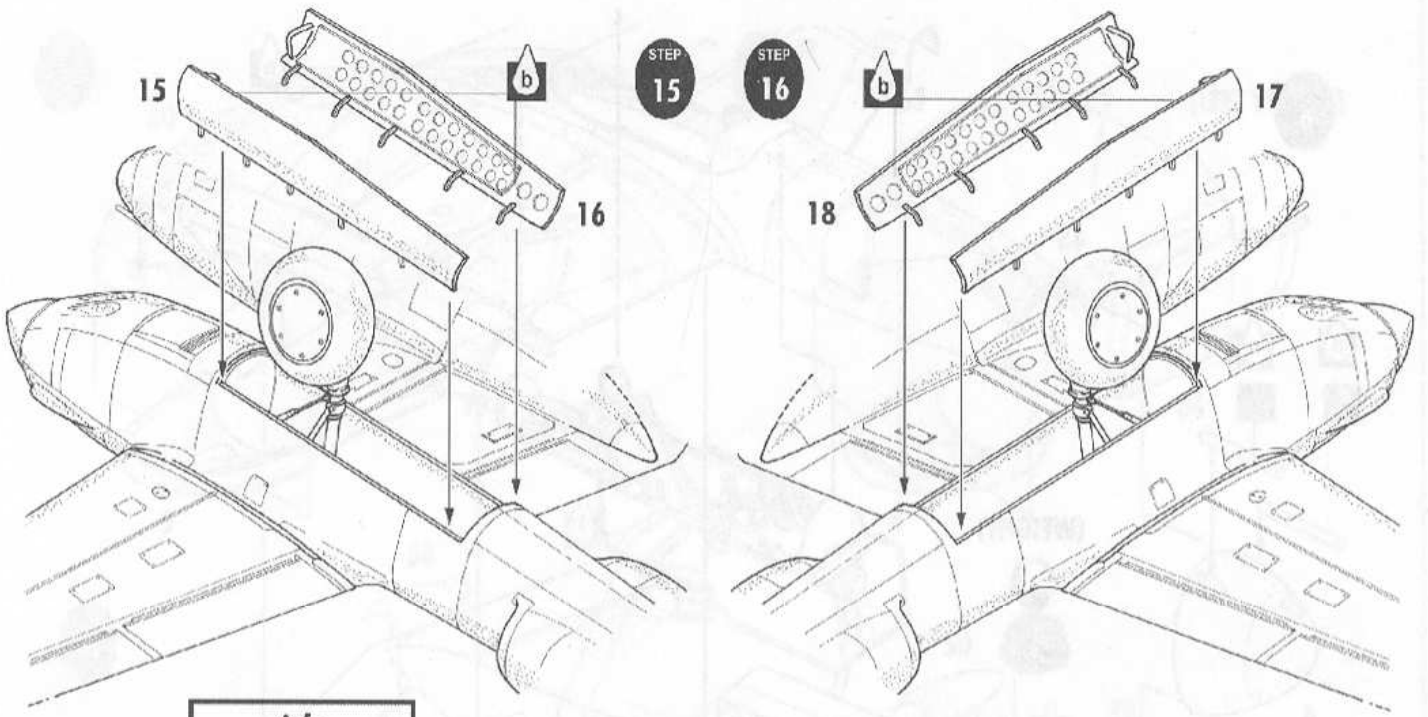


STEP 11



Lightning P-322 I (92093)

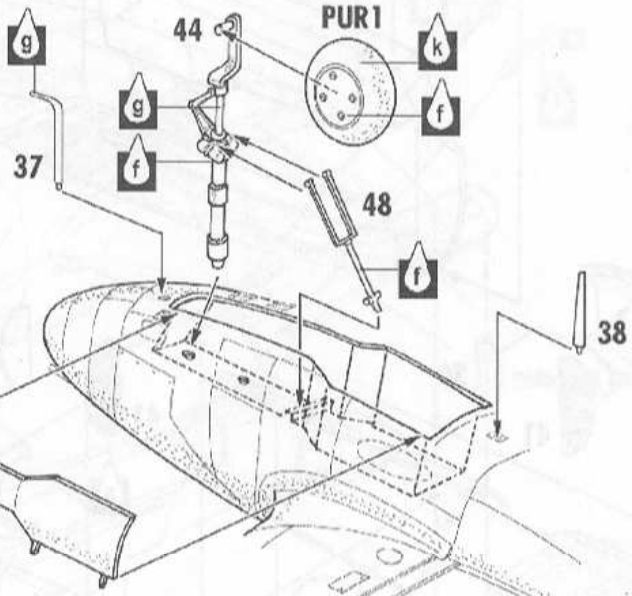
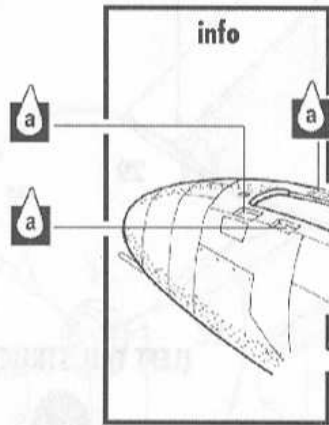




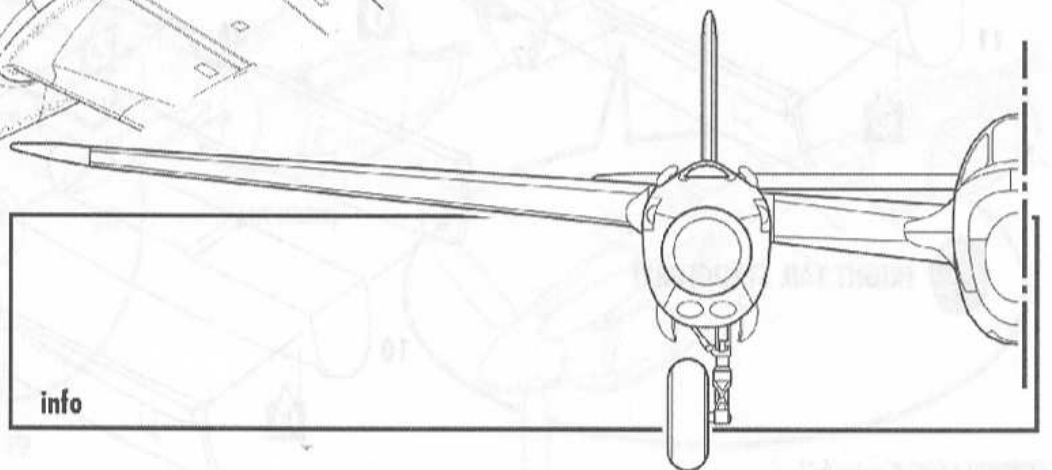
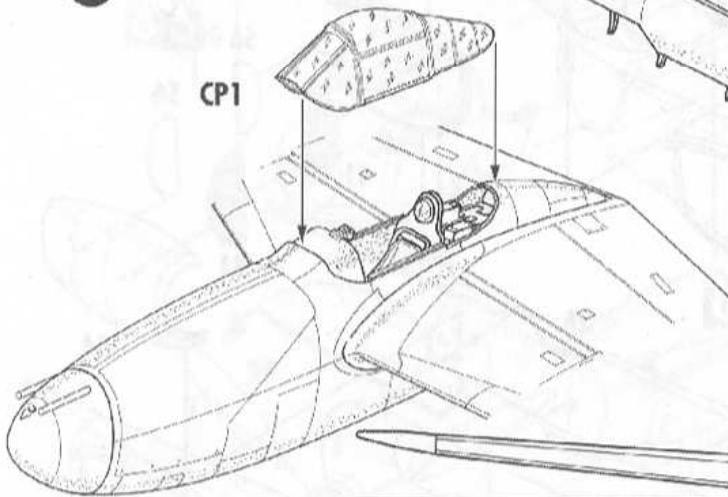
STEP 15

STEP 16

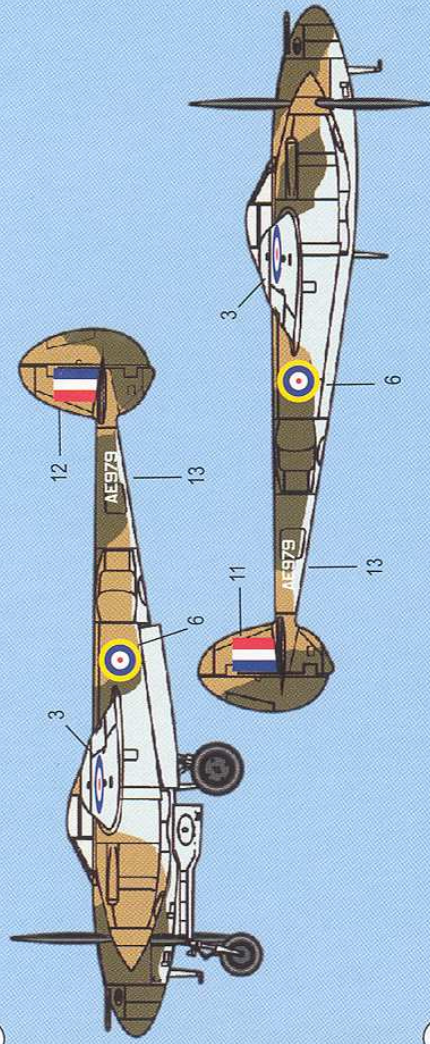
STEP 17



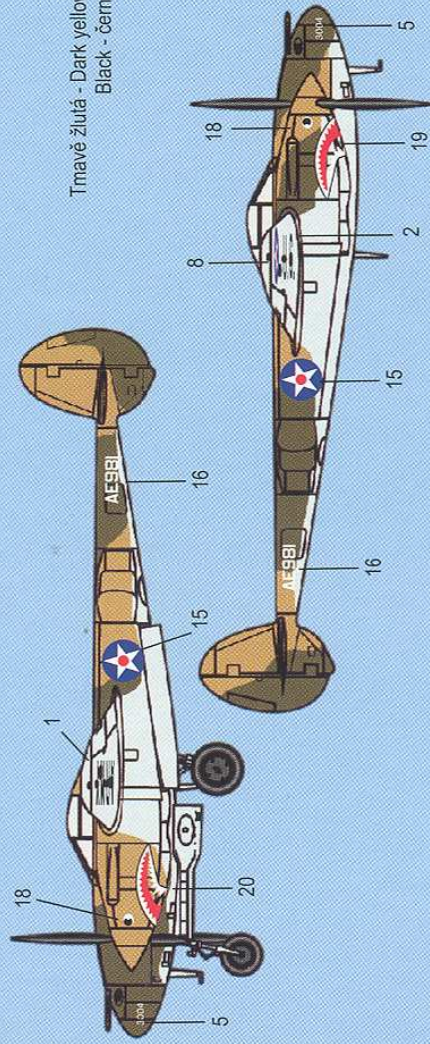
STEP 18



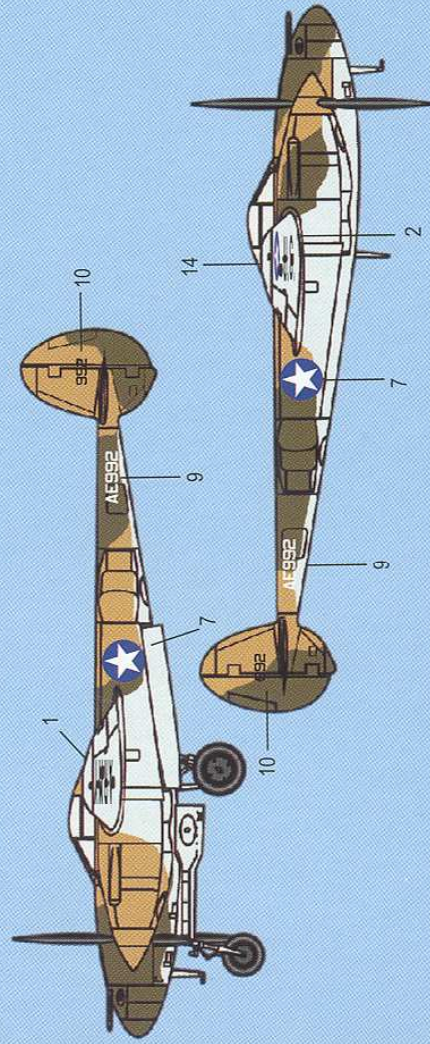
1 P-322 Lightning I, AE 979, Evaluated at Boscombe Down 1942



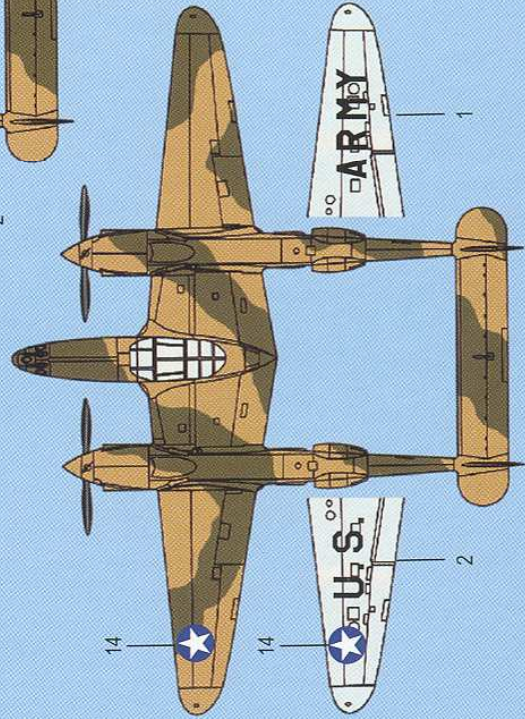
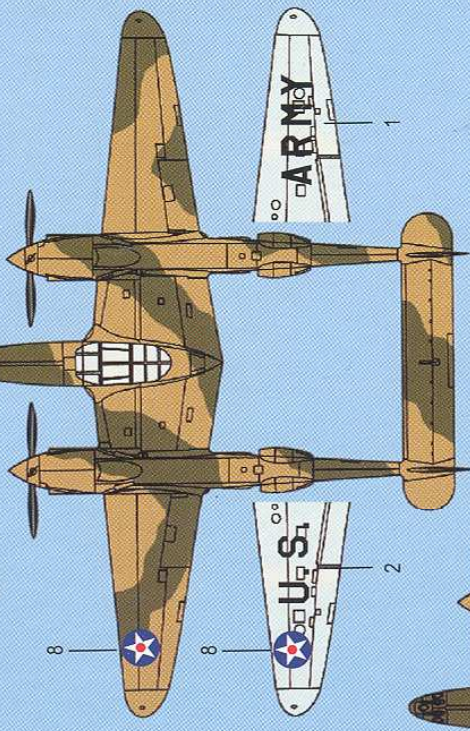
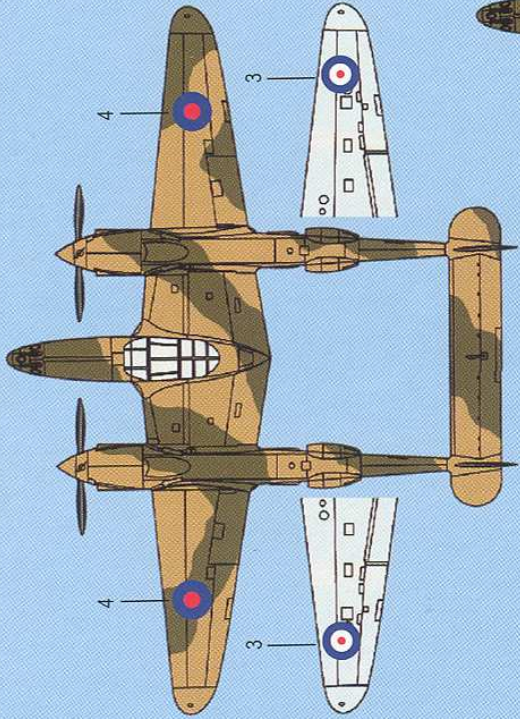
2 P-322 Lightning I, AE 981, Shreveport, Louisiana, January 1943



3 P-322 Lightning I, AE 992, Chanute Field, October 1942



- Bílá - White
- Tmavě žlutá - Dark yellow
- Šedě - Light grey
- Tmavě hnědá - Dark Earth
- Britská tmavě zelená - British Dark Green
- Černá - Black



Tmavě žlutá - Dark yellow
Black - černá

Lightning P-322 I

Americký stíhací letoun / American fighter from WW II

3 obtiskové verze
3 decal version



The P-322 designation was used for aircraft taken over by the USAAF after the RAF cancelled an order for 667 Lightnings in 1942. This order had been inherited from the French, and had been for a simplified version of the aircraft, without the turbo superchargers used by all USAAF P-38s. Twenty two were completed as ordered, and given the designation P-322-I. The remaining 121 were given "F" series engines, although they still lacked the turbo-supercharger. These aircraft were given the designation P-322-II. In America service these aircraft were used as advanced trainers, providing an ideal way to introduce new pilots to the P-38 without the added complexity of the turbo-supercharger for them to worry about.

RS
MODELS

**1:72 SCALE
PLASTIC KIT**

92093