

BAC LIGHTNING F.MK.3

1:72 SCALE

英国 "闪电" F.MK.3型喷气式战斗机

READ BEFORE ASSEMBLY:

- Study and understand these instructions thoroughly before beginning assembly
- When needed, remove photo-etch parts carefully using a modeling knife or photo etch sprue cutter, being careful not to damage or lose small parts.
- Take extra care in handling photo etch parts in order to avoid injury
- Apply instant cement sparingly to photo etch parts where instructed
- Tools recommended(not included in kit):Plastic and instant cements,sprue cutters,long nose pliers,,modeling knife, small files, tweezers, pin vise & scissors. Soft cloth and sandpaper will also assist in construction
- Glue and paint are not included in the kit. Use plastic cement and hobby paints only. Color guide for purchasing paint is included in the kit.

装配之前仔细阅读

- 小心用模型锉刀锉平所有零件表面的注射浇口。
- 小心用刀片切下蚀刻片零件，不要遗失小零件。
- 用强力快干胶水粘合蚀刻片零件和金属轴。过量的快干胶水使用可能导致可动零件会粘住，小心涂胶。
- 取蚀刻片时应特别注意安全，防止利边划伤手指。
- 某些零件表面需贴水上贴纸，请选择在装配的同时进行。
- 推荐模型工具(自备)：胶水，水口剪刀，长咀钳，刀片，锉刀，镊子，钳，钻，剪刀，瞬间快干胶。
- 软布同砂纸同时也应该是必备工具。
- 请使用塑料胶水和油漆，模型内不含。



cyanoacrylate glue
使用强力胶



weight
配重



make hole
钻孔



cut / remove
切除



bend
弯曲



file / sand
锉平



option
选择



no cement
不涂胶水



decal
贴纸

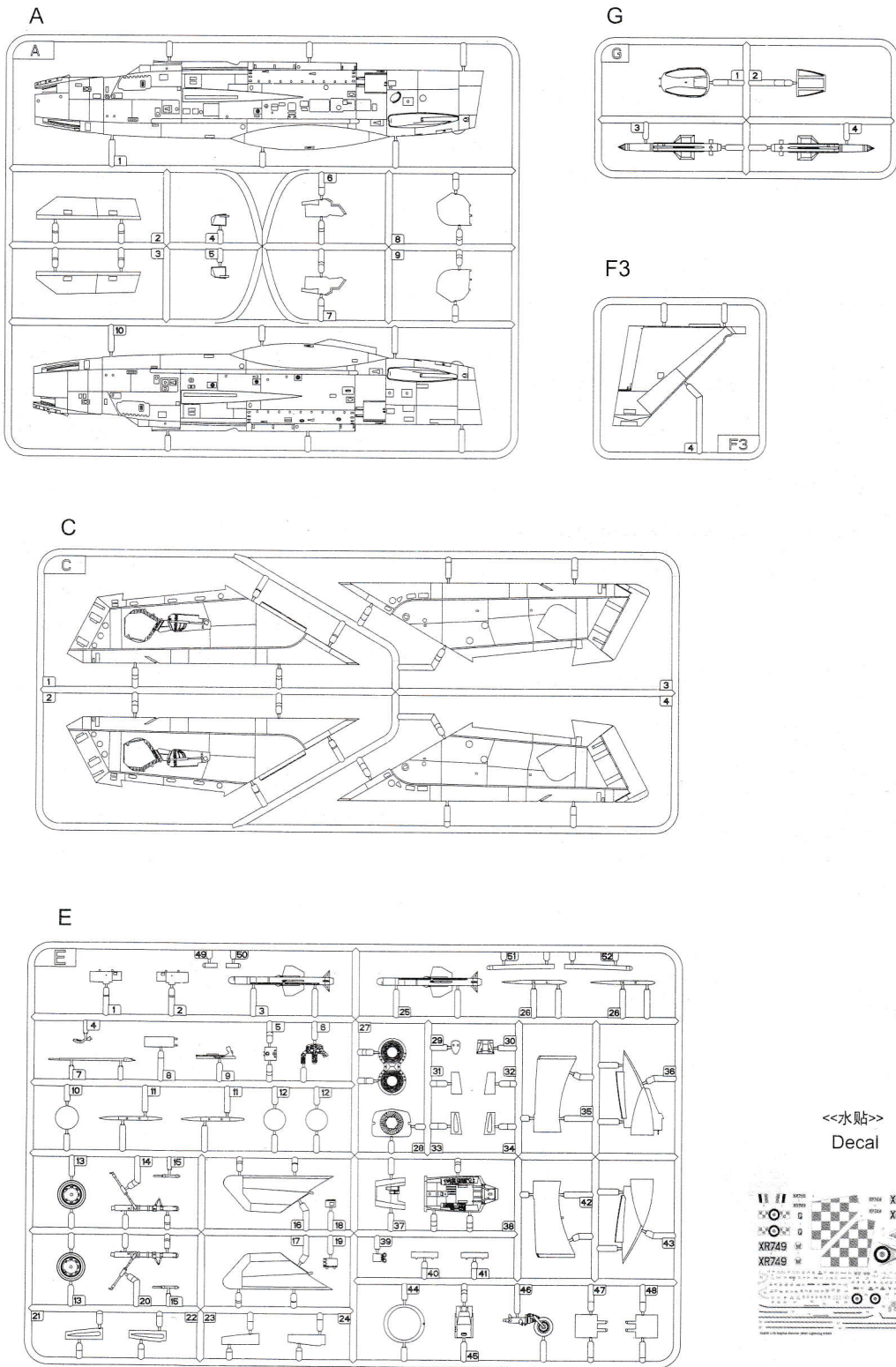
水贴纸的使用:

1. 从水贴上剪下印花;
2. 将印花放入温水中浸10秒, 然后放在干净布上。
3. 拿着印花纸板将印花移到模型上;
4. 手指蘸水将印花移到适当的位置;
5. 用软布轻压印花直至水干, 气泡消失。

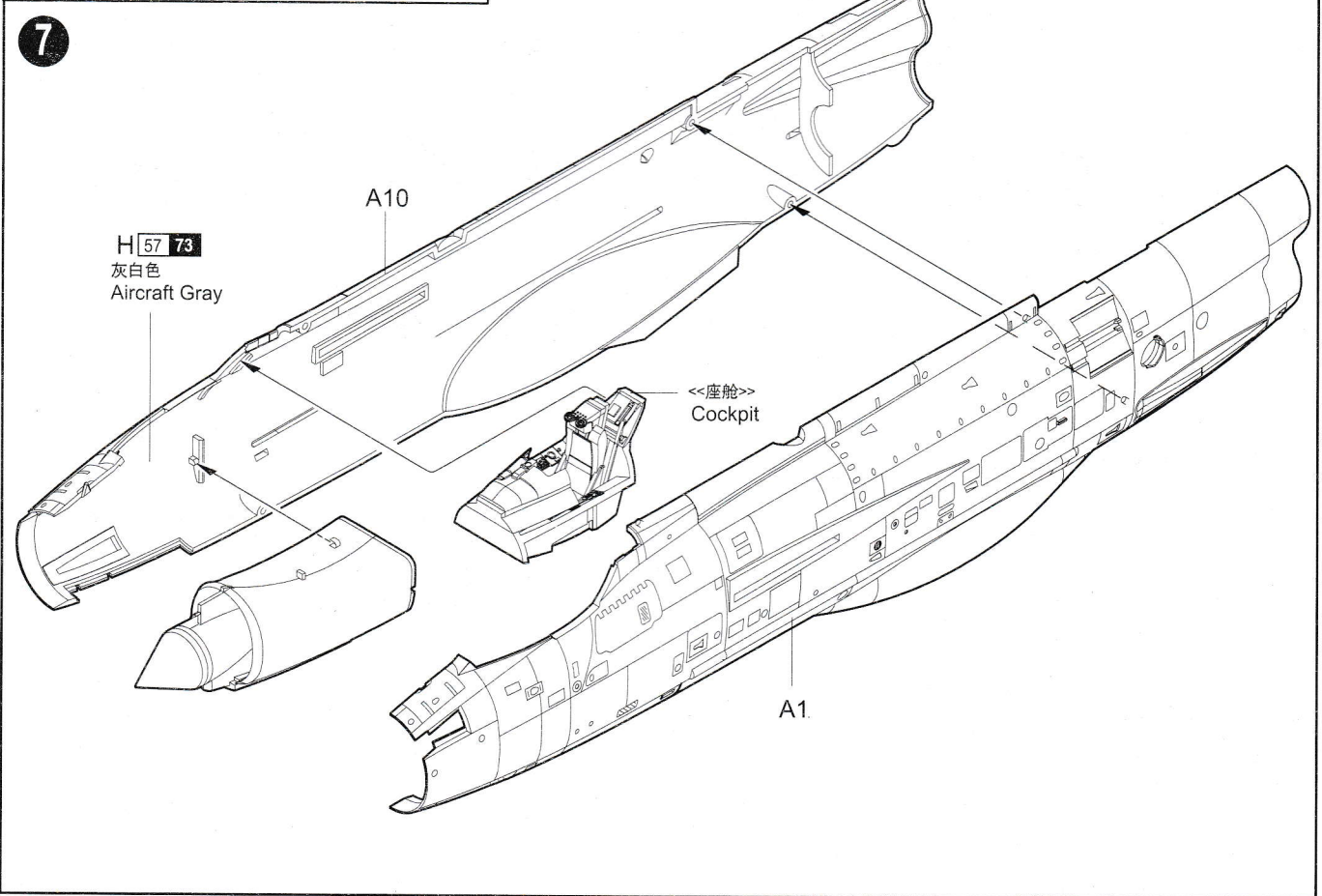
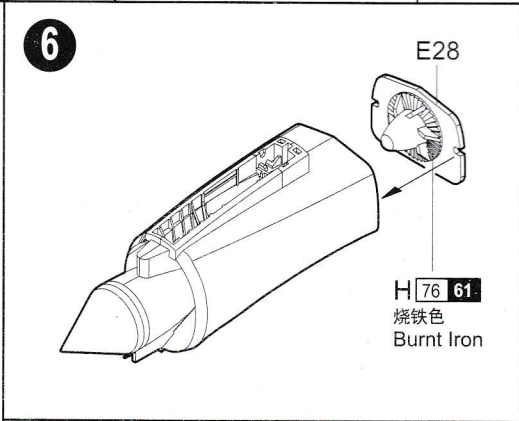
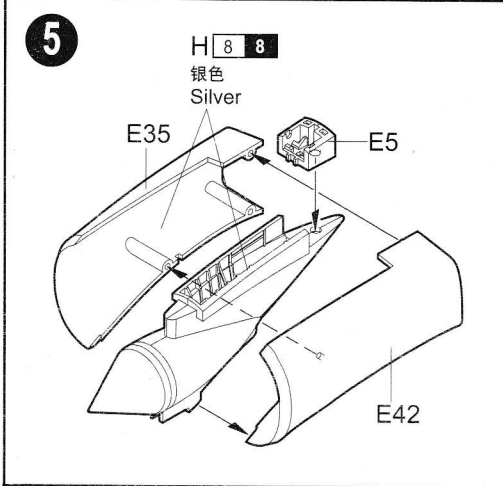
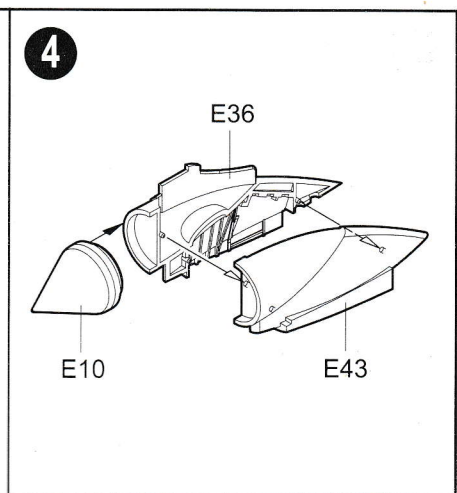
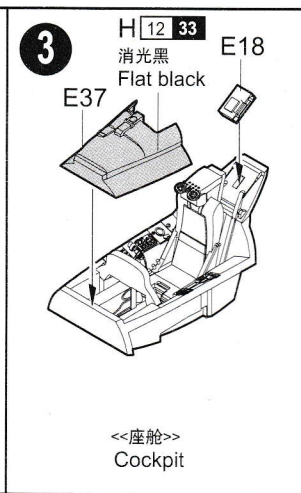
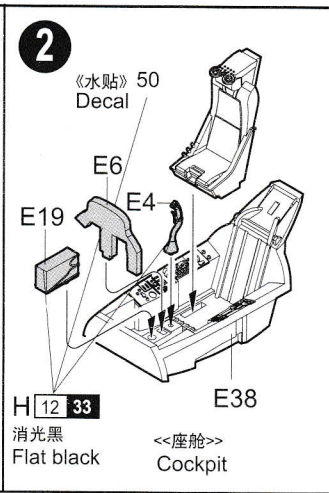
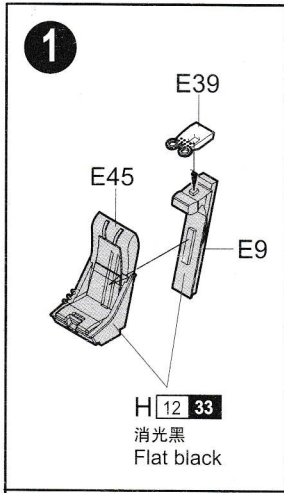
DECAL APPLICATION:

1. Cut decals from sheet as needed
2. Dip the decal in warm water for about 10 seconds and then place on soft clean cloth.
3. Hold the decal backing sheet edge and gently slide the decal onto the model in its proper position.
4. While still wet, decal can be adjusted for better fit on model by dampening it gently with your finger.
5. When placed in the proper position, gently press decal down with a soft cloth until excess water and air bubbles are gone.
6. Allow decal to dry completely before handling model

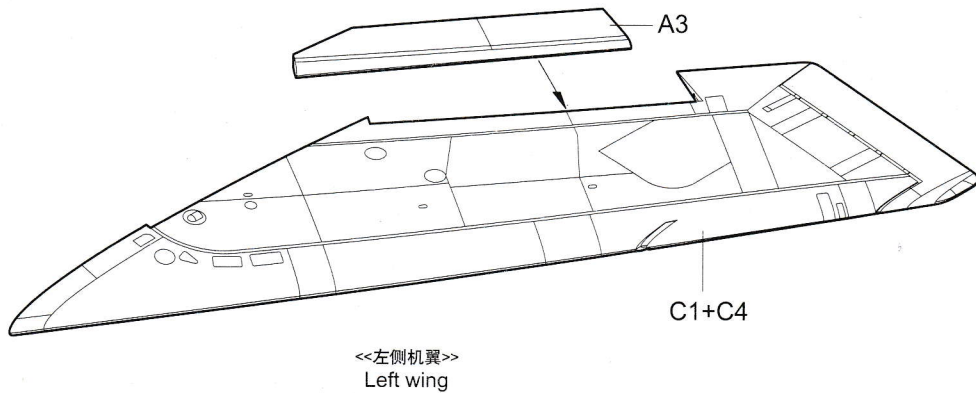
部品 Parts



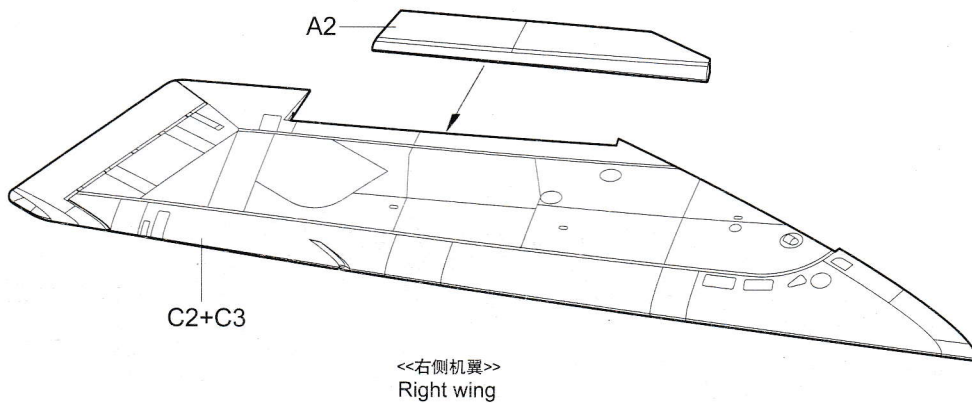
不用的部品: E21, E22, E33, E34, E49, E50
Unused parts



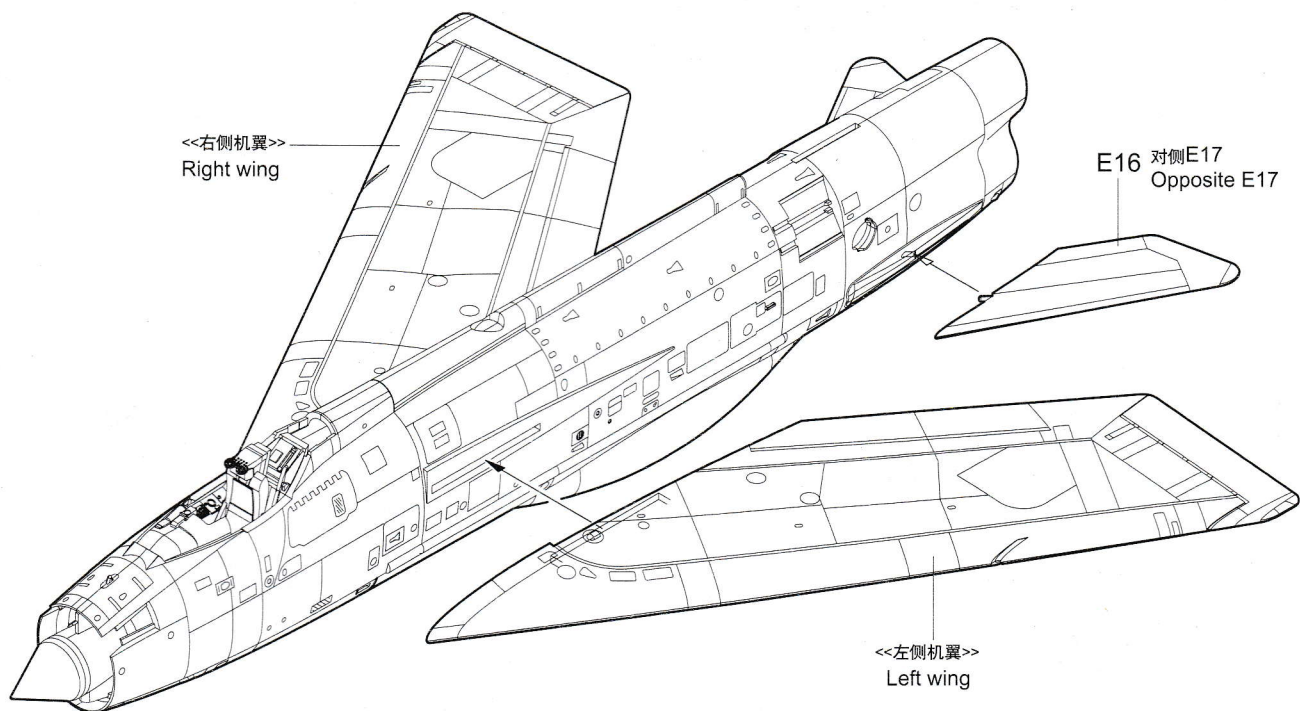
8



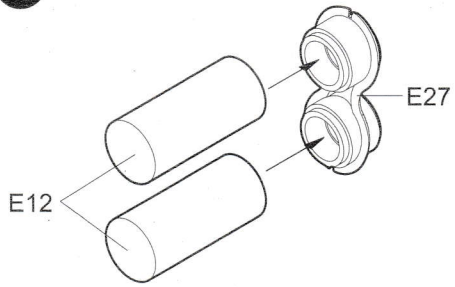
9



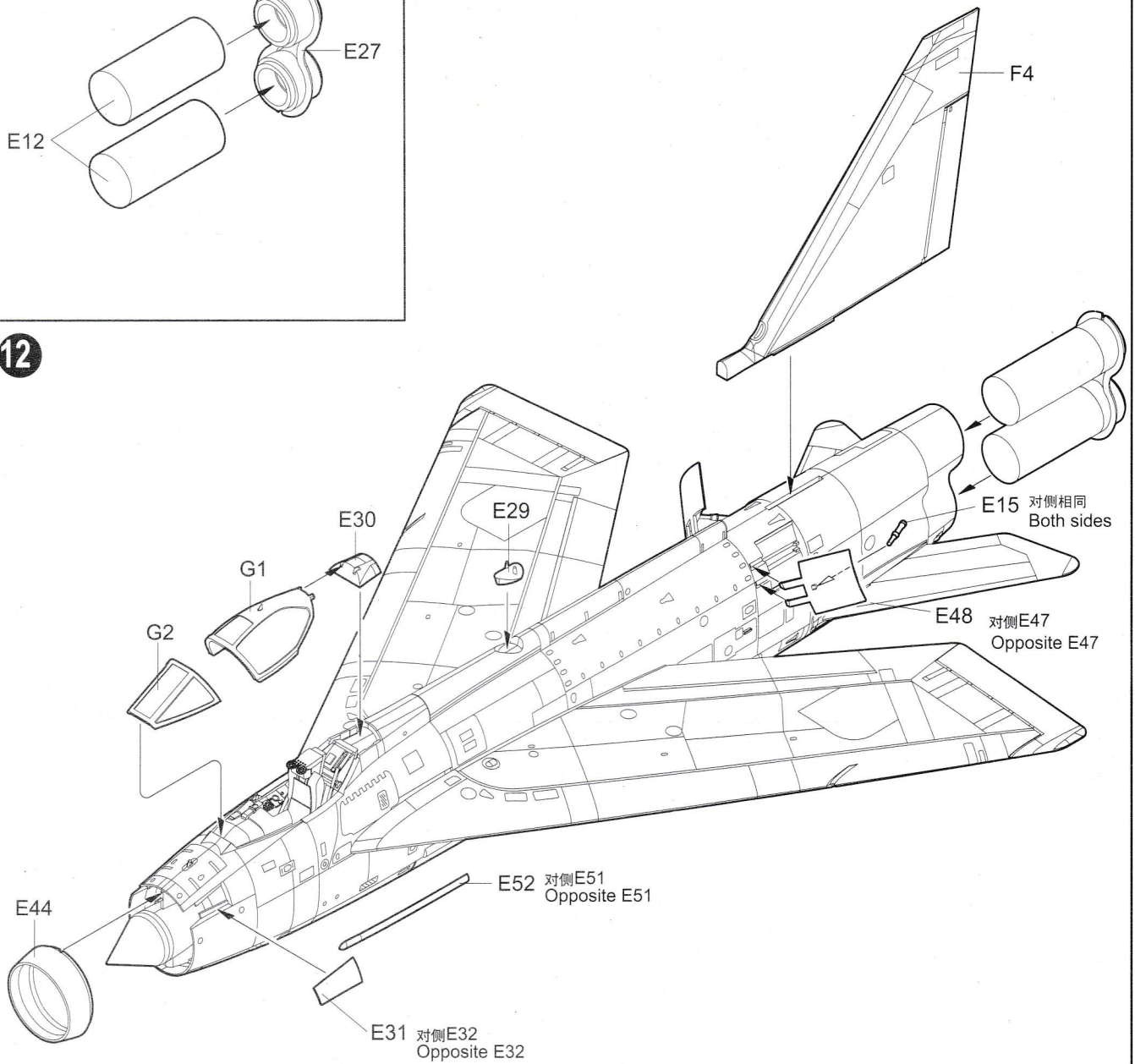
10



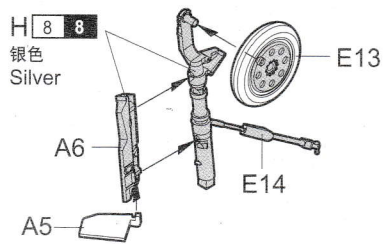
11



12

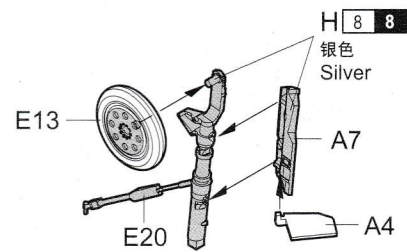


13



<<右侧主起落架>>
Right main undercarriage

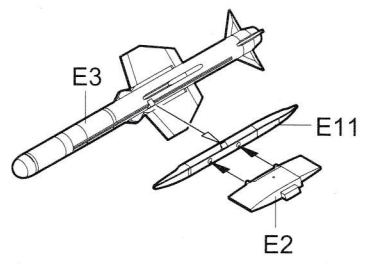
14



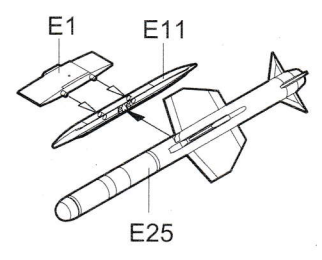
<<左侧主起落架>>
Left main undercarriage

15

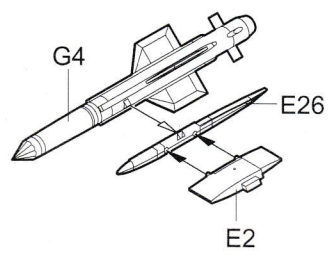
<<红顶导弹-右侧>>
Red top missile-R



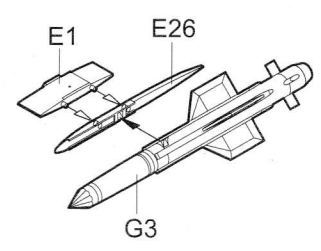
<<红顶导弹-左侧>>
Red top missile-L



<<火光导弹-右侧>>
Fire streak missile-R



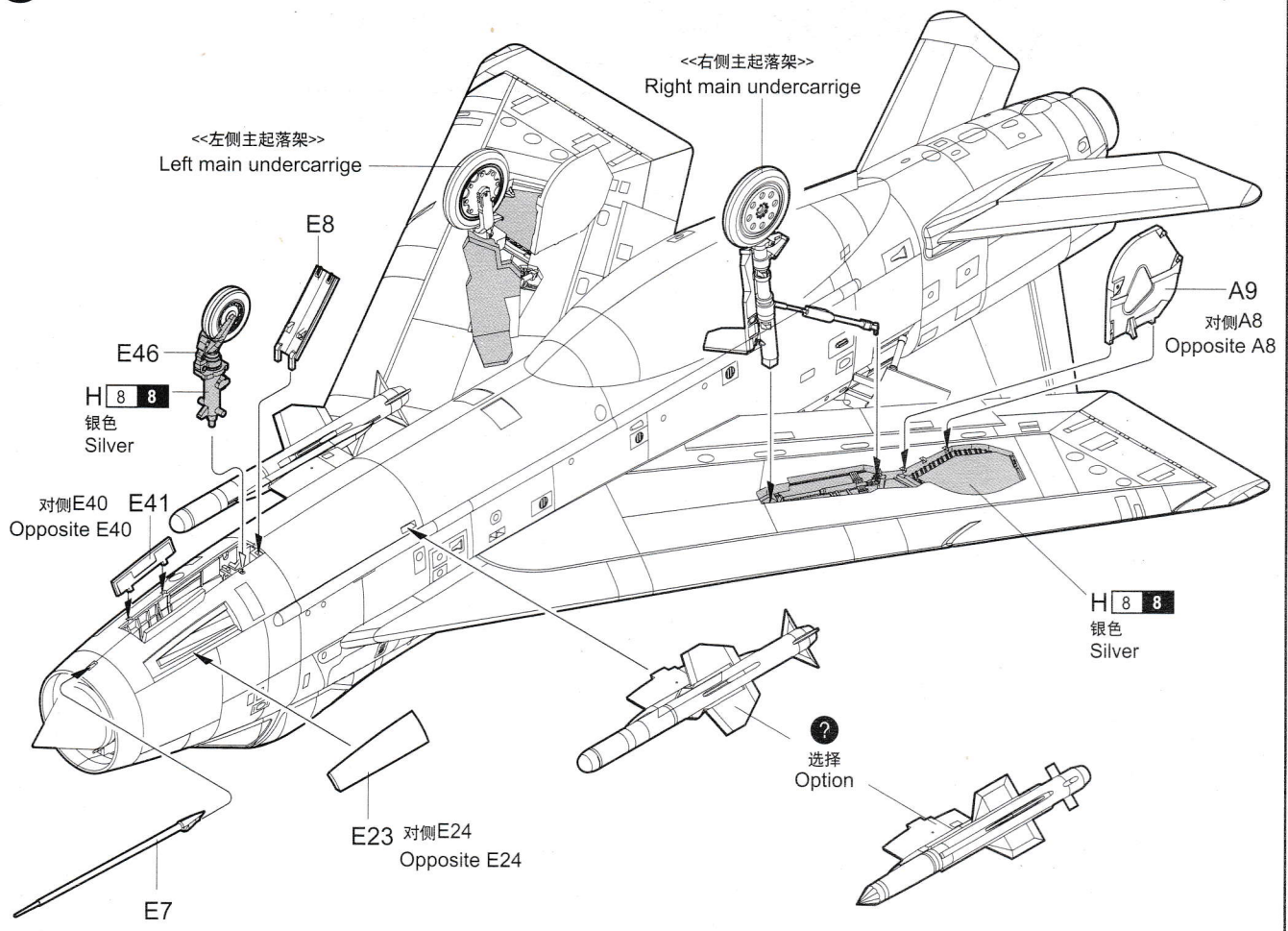
<<火光导弹-左侧>>
Fire streak missile-L



16

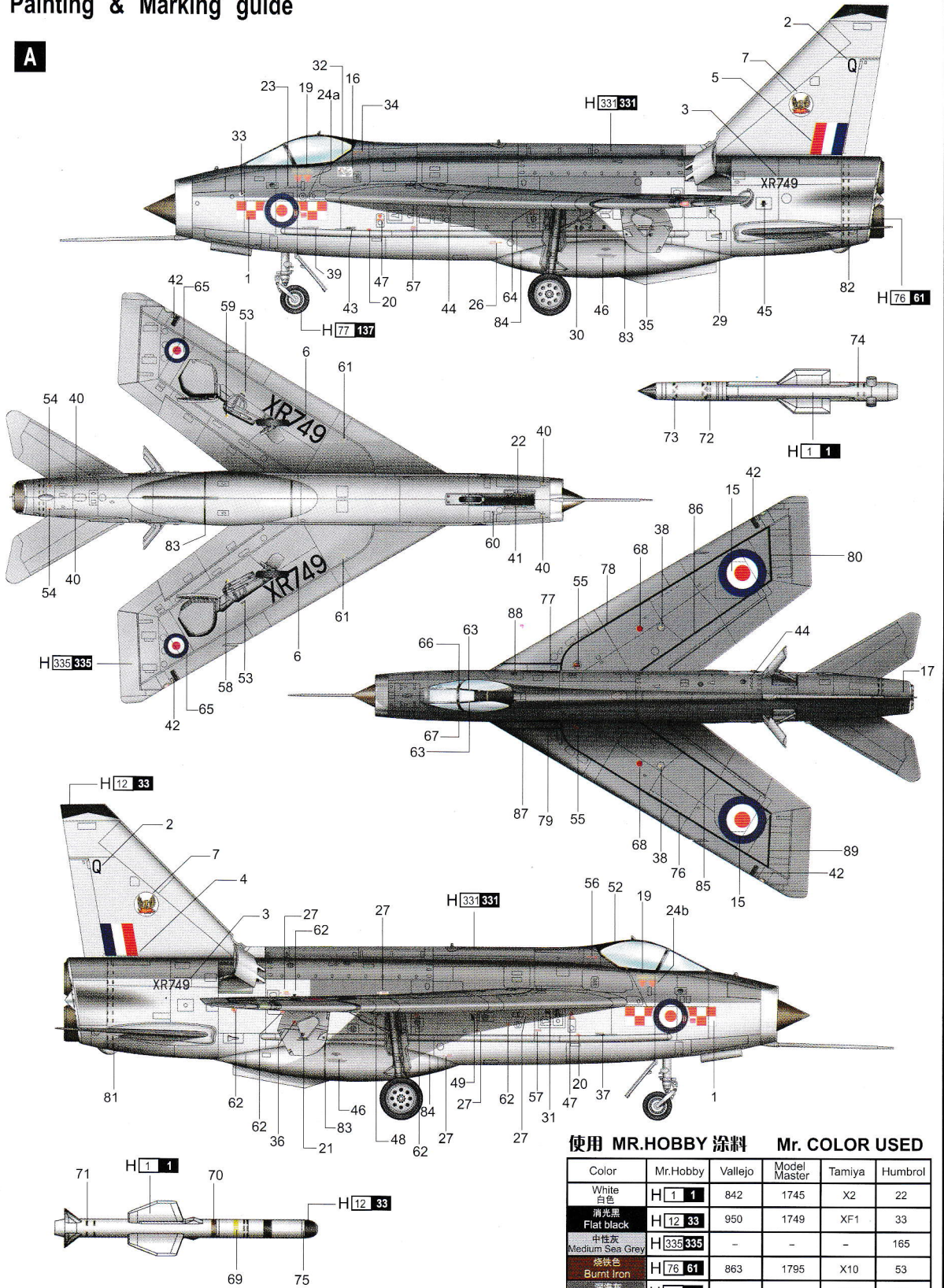
<<右侧主起落架>>
Right main undercarriage

<<左侧主起落架>>
Left main undercarriage



涂装同标贴指示 Painting & Marking guide

A



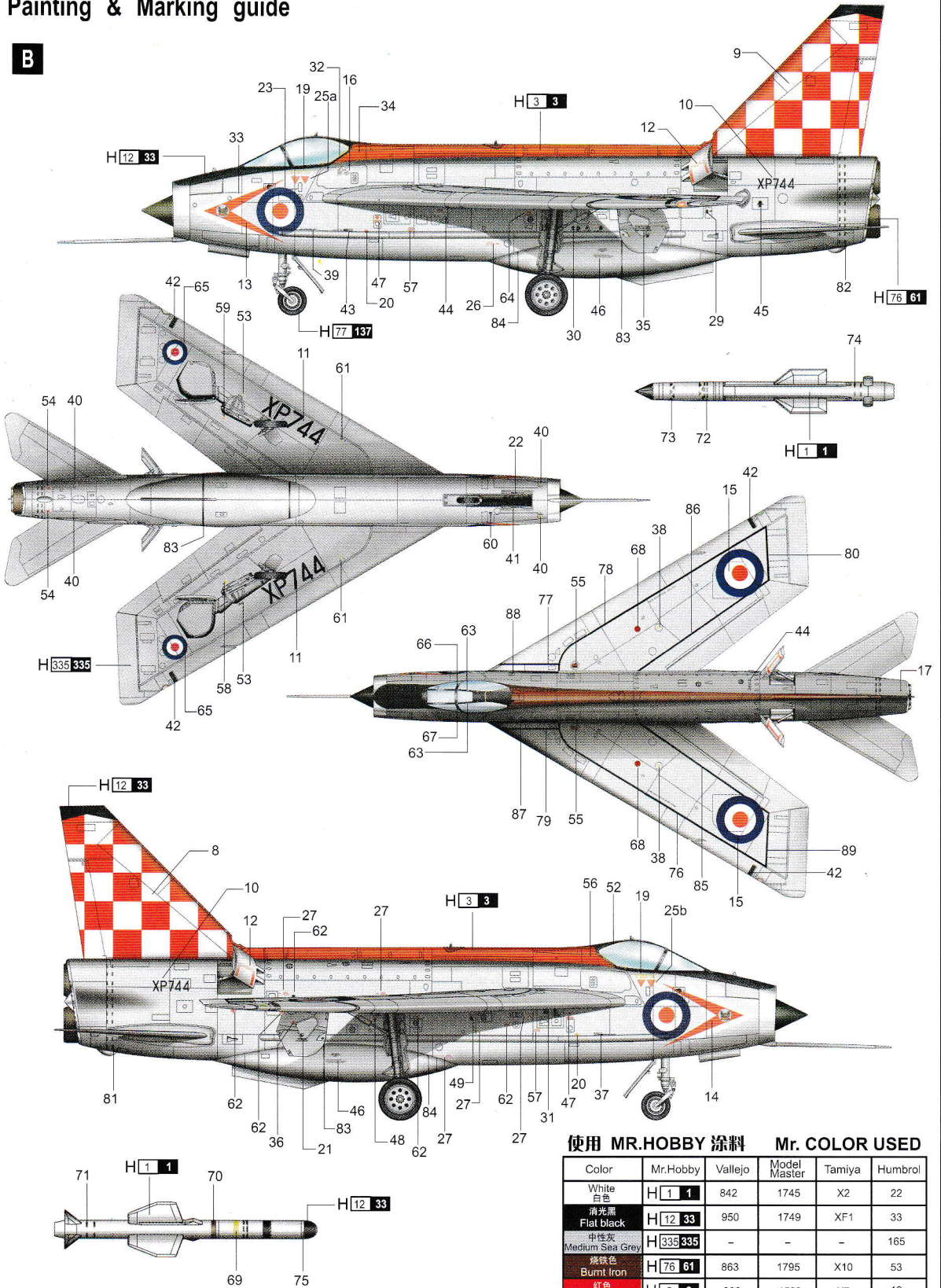
使用 MR.HOBBY 涂料 Mr. COLOR USED

| Color | Mr.Hobby | Vallejo | Model Master | Tamiya | Humbrol |
|------------------------|-----------|---------|--------------|--------|---------|
| White 白色 | H 1 1 | 842 | 1745 | X2 | 22 |
| 消光黑 Flat black | H 12 33 | 950 | 1749 | XF1 | 33 |
| 中性灰 Medium Sea Grey | H 335 335 | - | - | - | 165 |
| 烧铁色 Burnt Iron | H 76 61 | 863 | 1795 | X10 | 53 |
| 深海灰 Dark Sea Grey | H 331 331 | - | - | XF54 | 164 |
| 铬银色 Chrome silver | - | - | 1790 | - | 191 |

H [X] AQUEOUS HOBBY COLOR X MR COLOR

涂装同标贴指示 Painting & Marking guide

B



使用 MR.HOBBY 涂料 Mr. COLOR USED

| Color | Mr.Hobby | Vallejo | Model Master | Tamiya | Humbrol |
|------------------------|------------|---------|--------------|--------|---------|
| White 白色 | H[1] 1 | 842 | 1745 | X2 | 22 |
| Flat black 消光黑 | H[12] 33 | 950 | 1749 | XF1 | 33 |
| 中性灰 Medium Sea Grey | H[335] 335 | - | - | - | 165 |
| 烧铁色 Burnt Iron | H[76] 61 | 863 | 1795 | X10 | 53 |
| 红色 Bright Red | H[3] 3 | 908 | 1503 | X7 | 19 |
| 铬银色 Chrome silver | | - | 1790 | - | 191 |

H[X] AQUEOUS HOBBY COLOR X MR COLOR