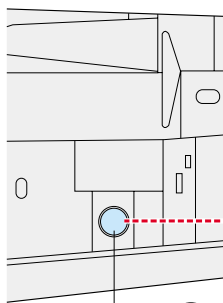
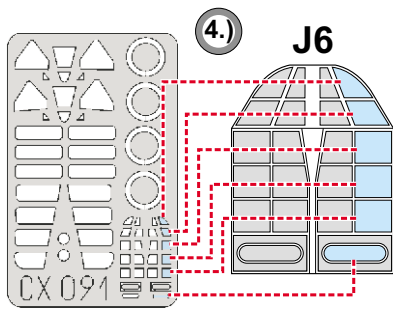
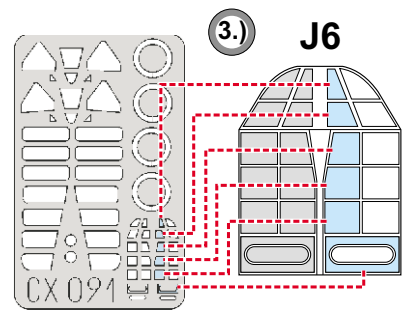
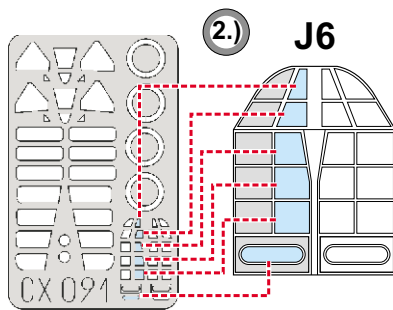
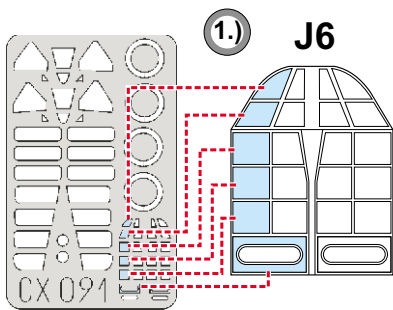
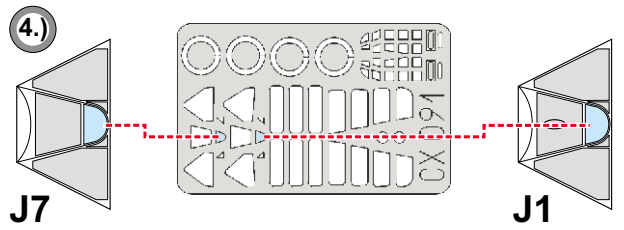
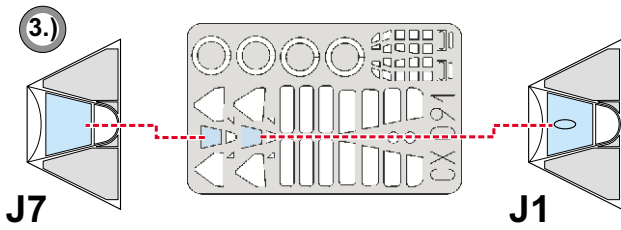
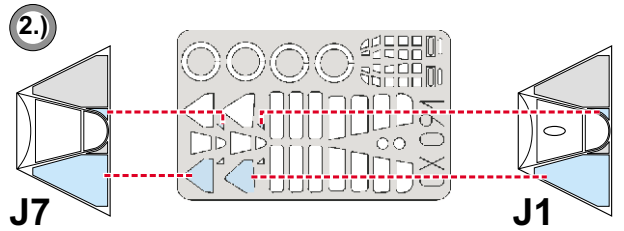
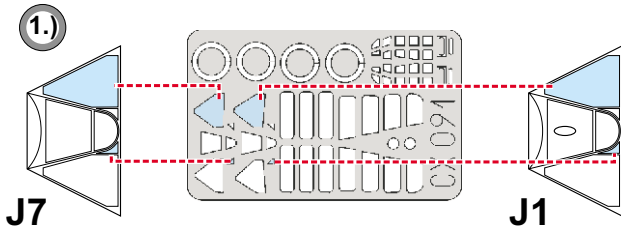
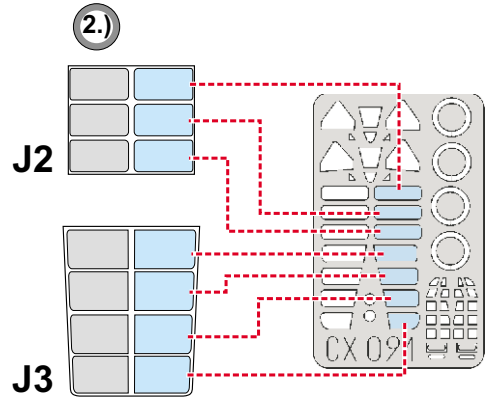
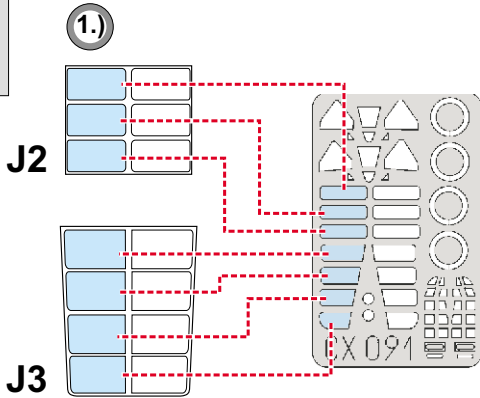
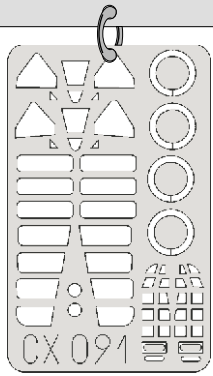


eduard
MASK

F2A Buffalo 1/72

The die-cut mask for accurate canopy frame painting of the
Hasegawa scale 1/72 KIT

CX 091



J4 2x

