

NOTES

Because of the limitations of the vacuum moulding process, it is impractical to provide wheels, props, engine and struts.

It is suggested that the wheels, prop & engine be used from the Revell Fokker E III or other suitable parts from the spares box. Struts can be made up from surplus plastic sheet or sprue.

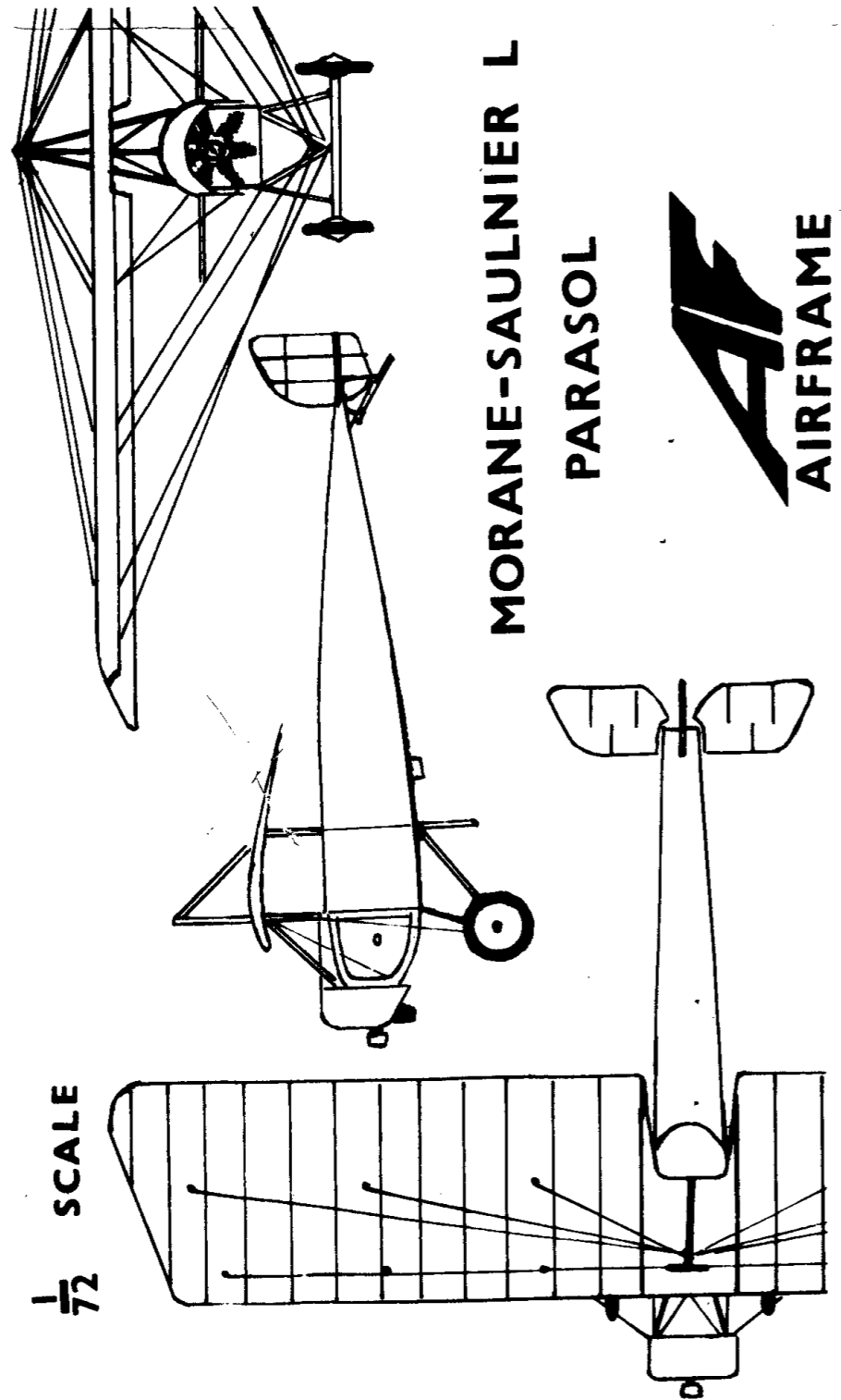
This kit is intended for the advanced modeller only, and it is suggested that use be made of the following reference;

Fighter Aircraft of the 1914-18
War

Suggestions for future models would be welcome:

John Tarvin,
5166 Portland Street,
Burnaby 1,
British Columbia.
Canada.

KIT # 8 MORANE-SAULNIER 'L'



INSTRUCTIONS

1. Cut out parts & sand edges flat.
2. Cement profile into fuselage half leaving an edge for locating opposite half.
3. Cement 2 pieces of plastic inside fuselage half, top & bottom, forward of profile, leaving edge protruding.
4. Cement fuselage halves together & detail cockpit. Fill seams with body putty & sand smooth.
5. Cement 2 laminations of plastic into wing top half as stiffener, cement wing halves together.
6. Sand leading & trailing edges & drill holes for rigging & struts.
7. Cement rudder & elevator halves together.
8. Make up cabane & u/carriage struts.
9. Insert front cabane struts through holes in wing & attach to fuselage.
10. Cement rear cabane strut into place & struts from rear of engine cowling to wing, also diagonal strut from rear centre section to top of front cabane struts.
11. Cut out bottom of cowling, cement rotary engine from spares box to nose & attach cowling in place.
12. Cement u/carriage & elevator in place.
13. Complete painting, attach decals.
14. Cement rudder into position, attach prop & wheels from spares box.
15. Rig completed model.

