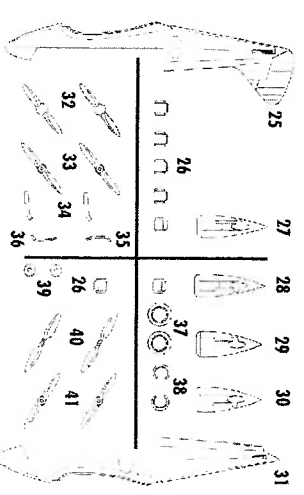
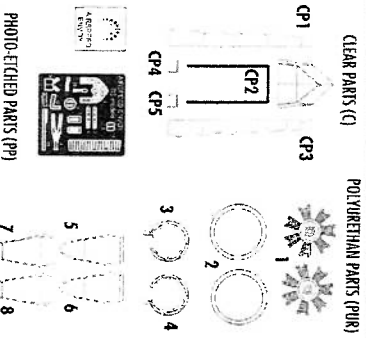
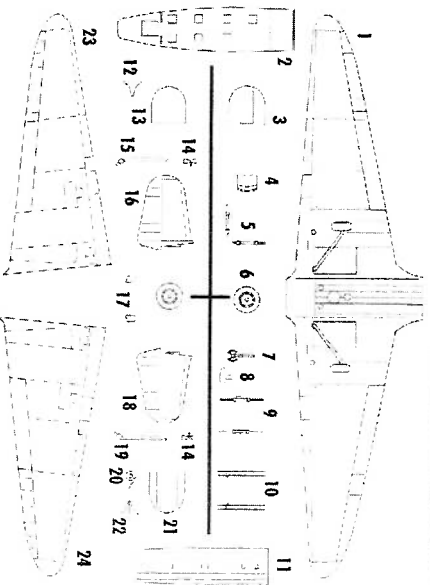
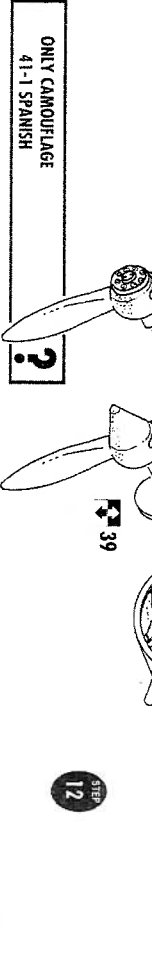
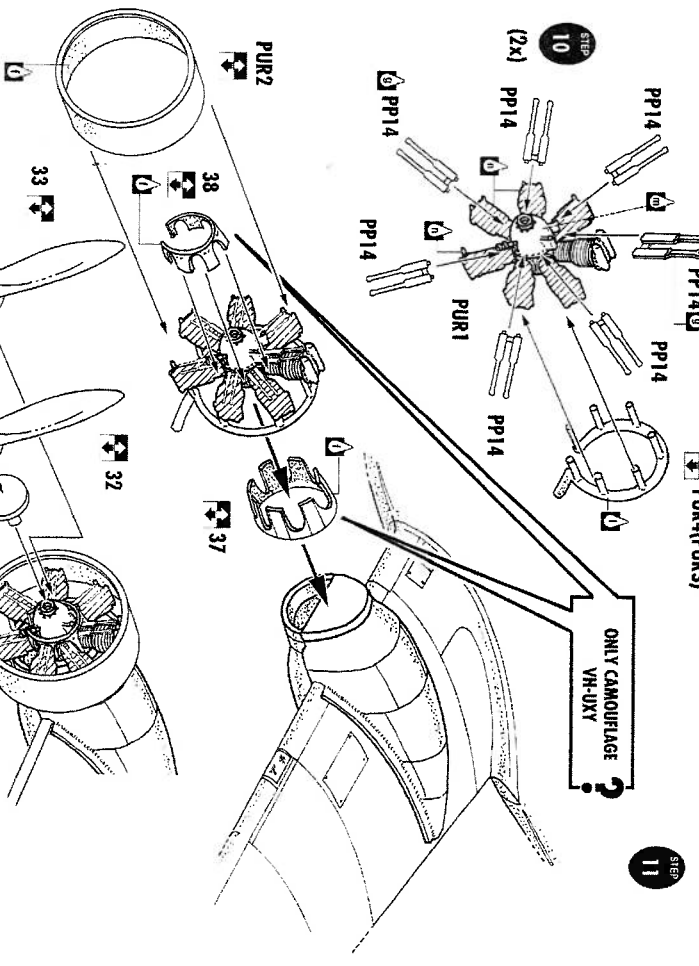
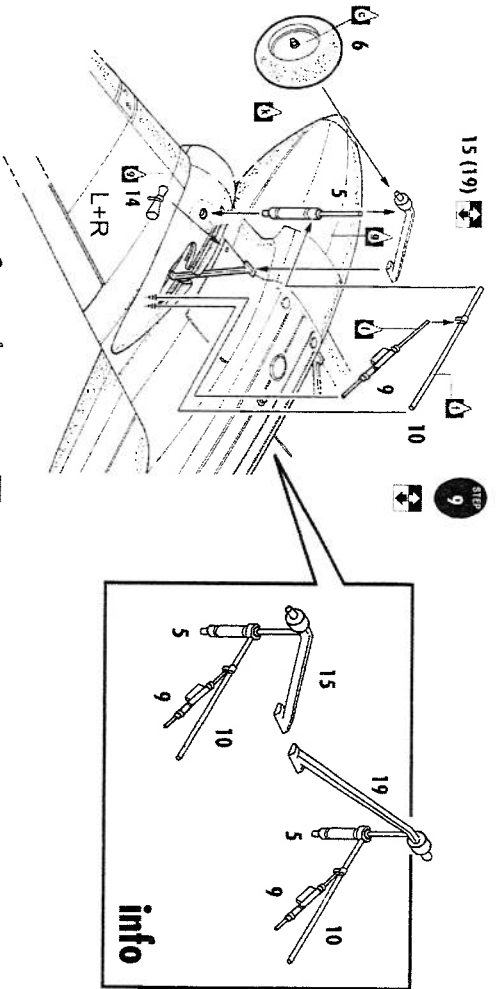


92102

Airspeed Envy-LYNX engine

scale 1/72

Pilot and eight-passenger enlarged and twin-engine development of the AS.5 Courier. First flown on 26 June 1934. About 50 built by Airspeed for British, Japanese, Czechoslovakian, Chinese and South African civil operators, plus a small number for the South African Air Force and the RAF (SAAF). Envy carries four bombs and one forward-firing and one dorsal-turreted machine-gun. Mitsubishi also built a number under licence. Engines fitted to Envy's included the Walsley AB.9, Scorpion I or Atlas III, Armstrong Siddley Lynx IV or Cheetham IX, Wright Whirlwind R.760 and Walter Castor II.



LEGEND

	without liquid adhesive		upturn		vit.		search build		detail		bars		sprays/mold
	band cyanoacrylate glue remove		upturn		vit.		search build		detail		bars		sprays/mold
	Gump Block		Silkspan Sliver		Kite leather		Gumpoat Chrome		Bis White		Resin Primer Black		Inno Seal link Eye
	Inside delmi Inver Green		Ribon Tan		Milsken Aluminium		Gumpoat Red		Zite Ribon		Resin Primer Tan		Kova? gummiid

COLORS

