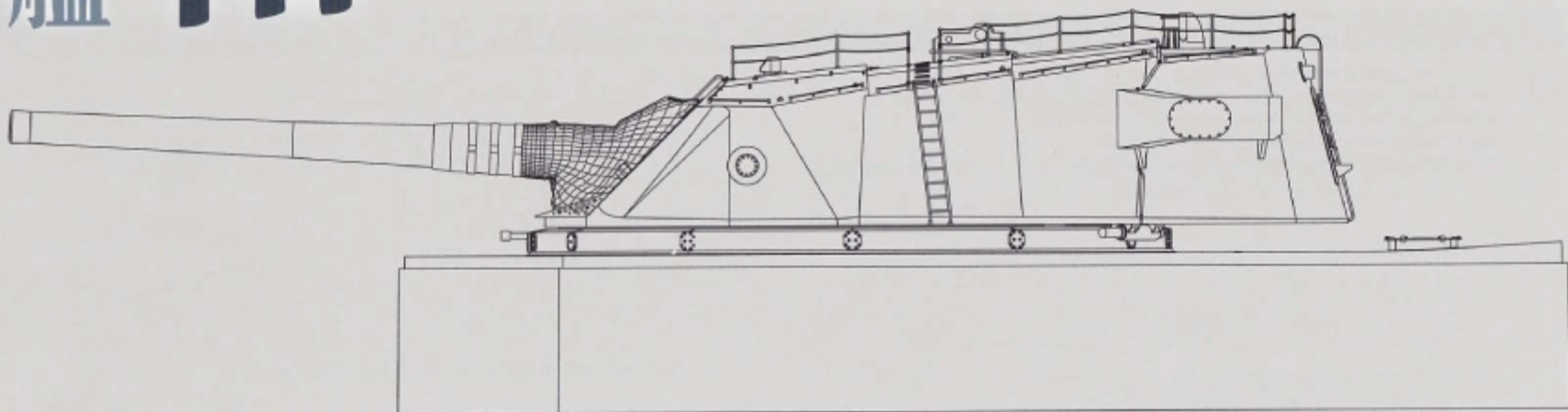


# 海軍戰艦 大和 九四式 一号主砲塔

JAPANESE BATTLESHIP YAMATO TYPE 94 46cm GUN MAIN TURRET No.1



The Battleship Yamato's nine 18.1" guns were mounted in 3 advanced, heavily armored turrets weighing 2,730 tons each. These guns weighed some 180 tons each and fired 3,218lbs armor piercing shells up to 25 miles away with a rate of fire of 2 RPM. The Yamato never tested her guns against another battleship, but she did manage to sink an American Destroyer and an Escort carrier before she herself was sent to rest at the bottom of the sea.

## READ BEFORE ASSEMBLY

### CAUTION

- Read carefully and fully understand the instructions before commencing assembly. A supervising adult should also read the instructions if a child assembles the model.
- When assembling this kit, tools including knives used. Extra care should be taken to avoid personal injury.
- Keep out of reach of small children. Children must not be allowed to suck any part, or pull vinyl bag over their heads.



Optional



Instant Glue  
for Metal

### PAINTS REQUIRED

Color info and profiles by Mig Jimenez

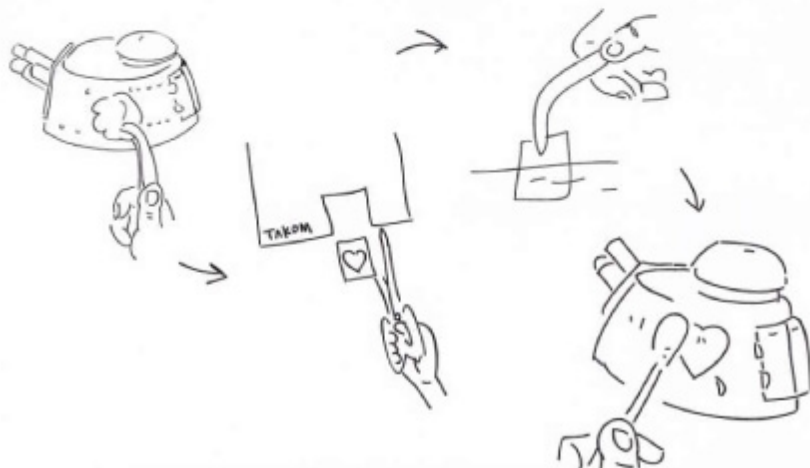
AK-3000 Dark Grey Anod 1

AK-3000 Base

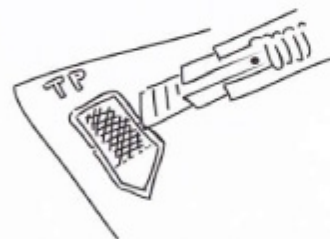
AK-3000 New Wood

### APPLYING DECALS

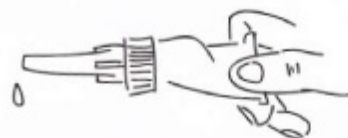
1. Clean the model surface with a wet cloth.
2. Cut out each decal design from sheet, and dip it in tepid water for 15~20 sec.
3. Hold the backing sheet edge and slide decal onto the model.
4. Move decal into position by wetting decal with finger.
5. Press decal gently down with a soft cloth until excess water and air bubbles are gone.



### REMOVING PE



Be careful not to hurt when removing PE parts.

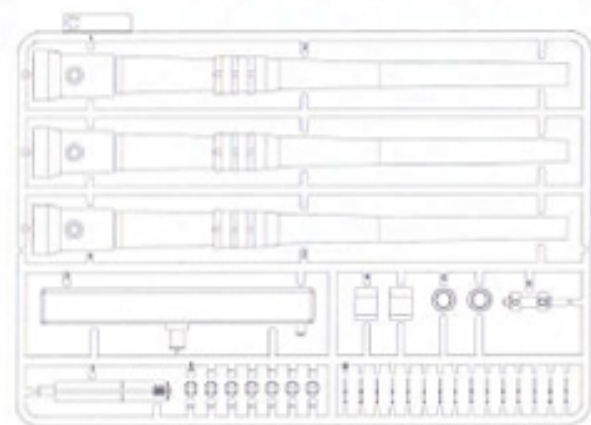
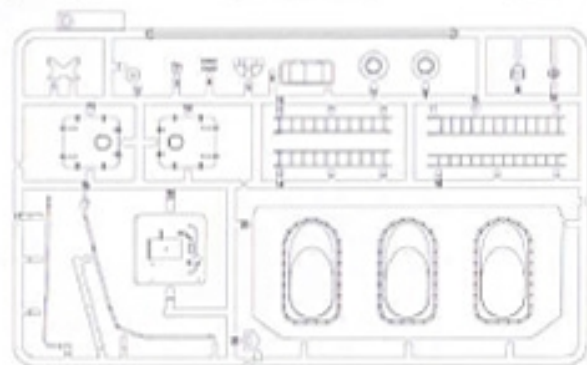
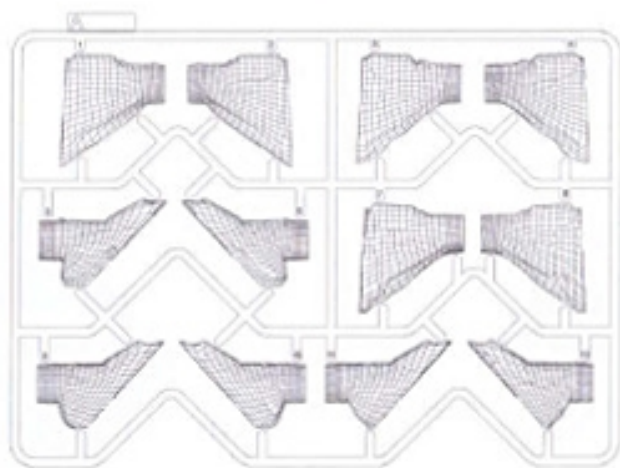
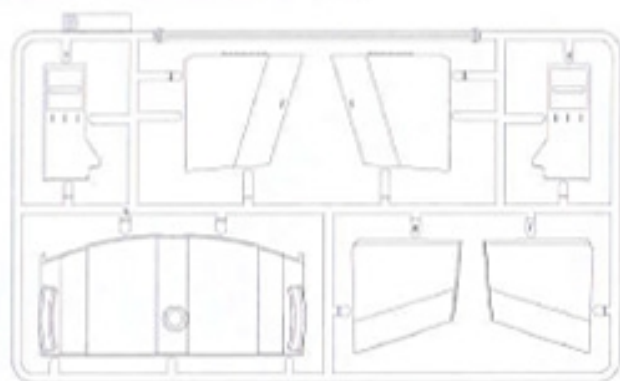


Secure using instant glue (not included).

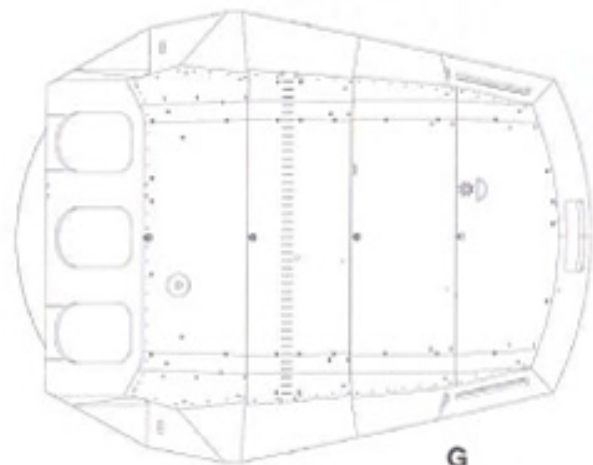


Finish using file.

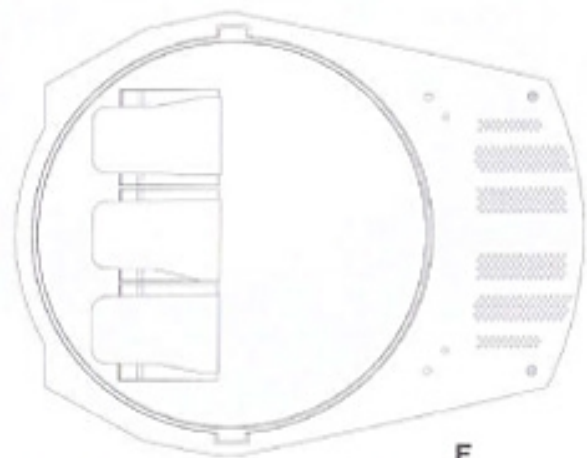
# PARTS



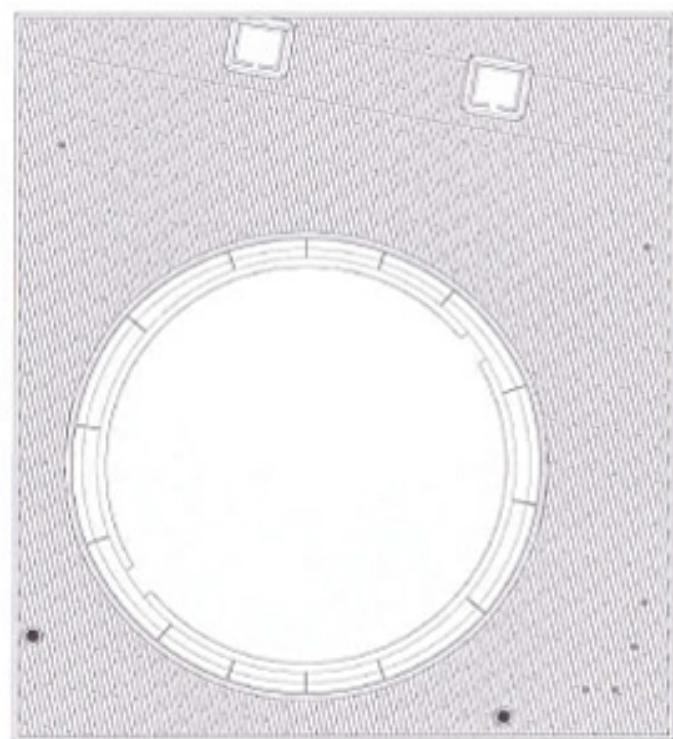
X2



G

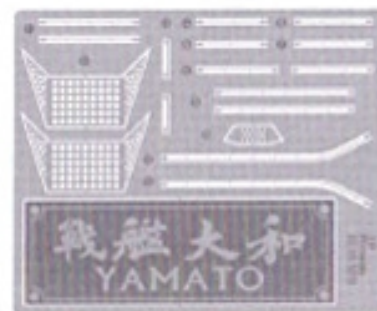


F



E

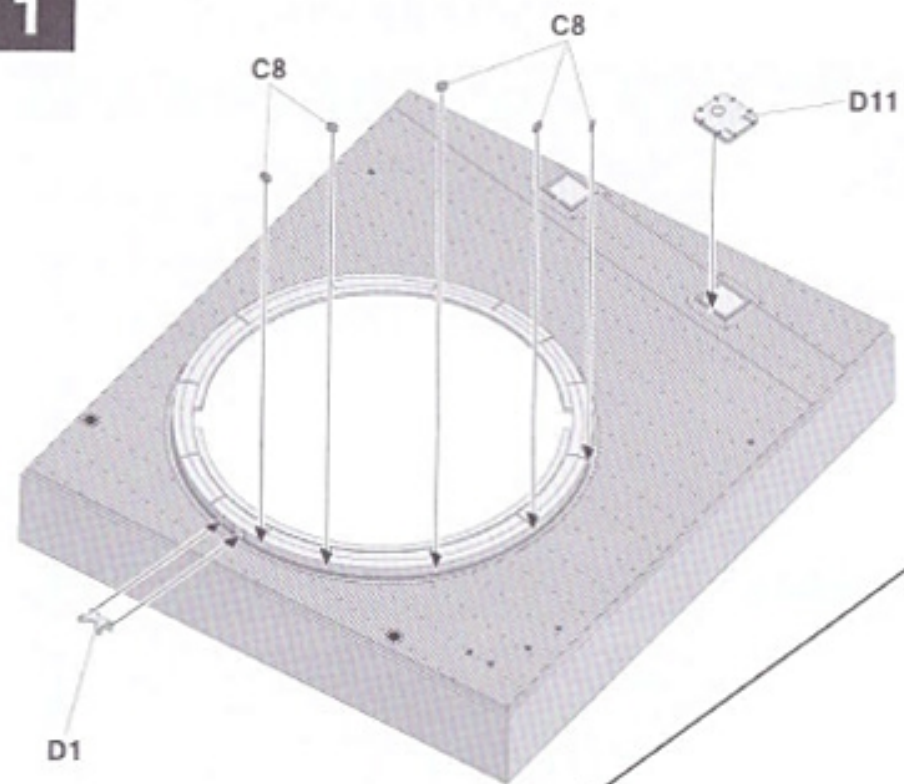
Rope



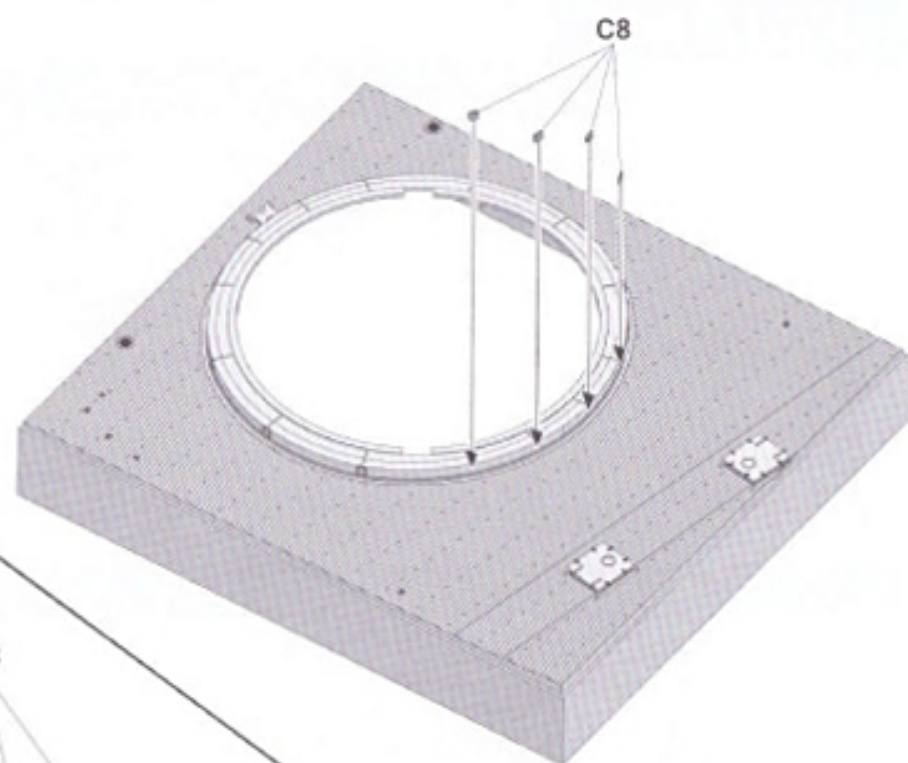
TP



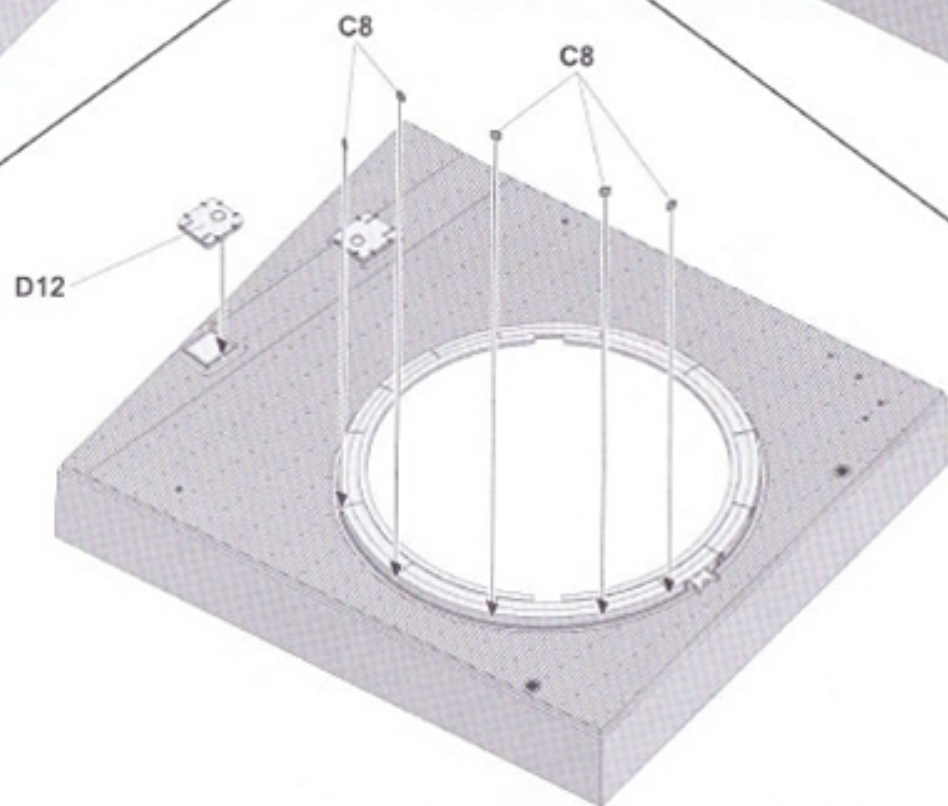
1



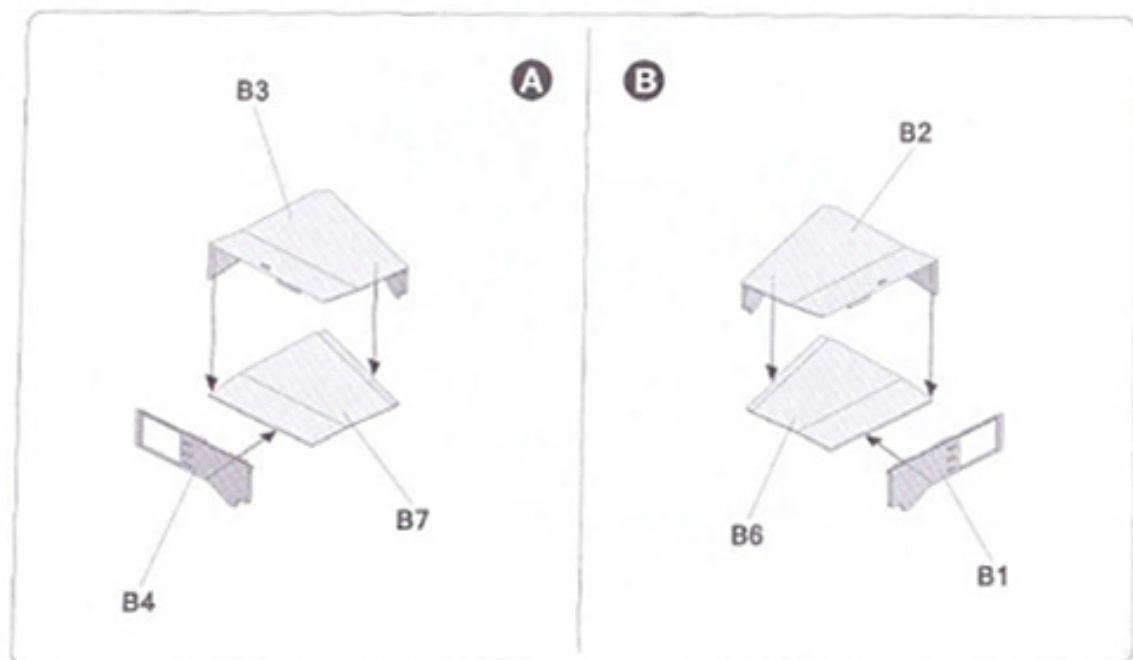
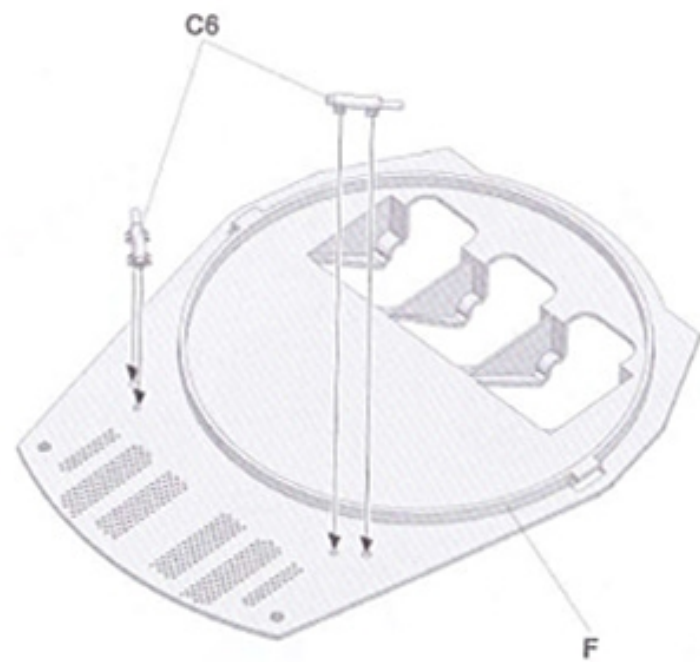
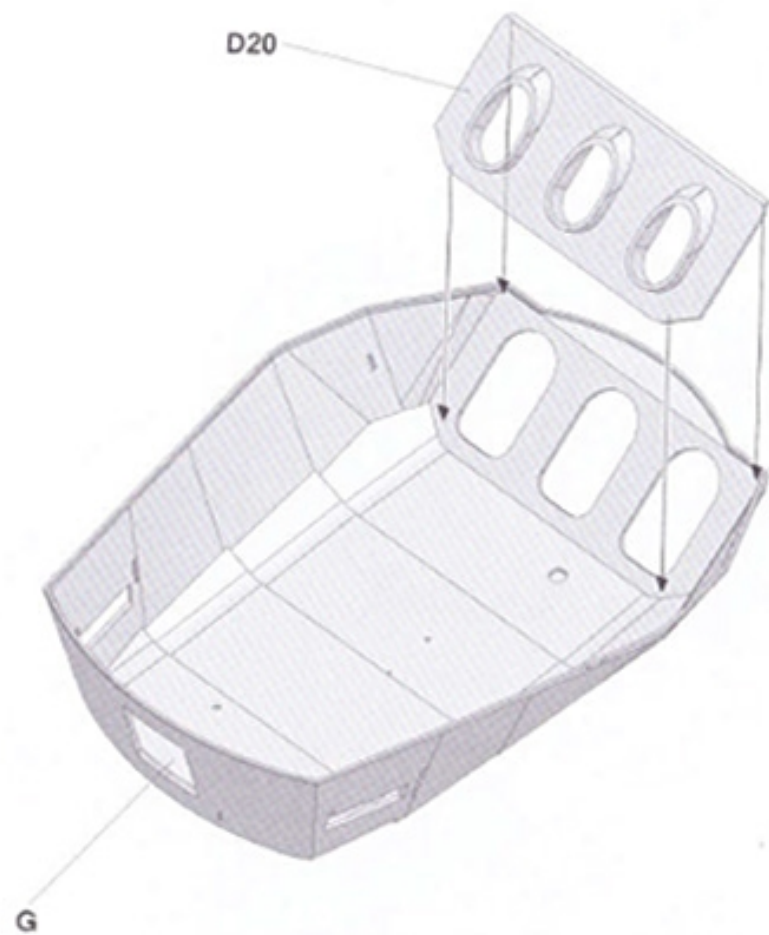
3



2

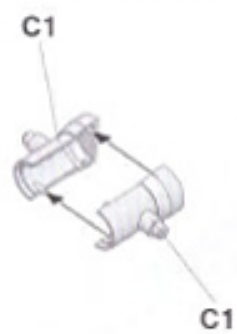


3

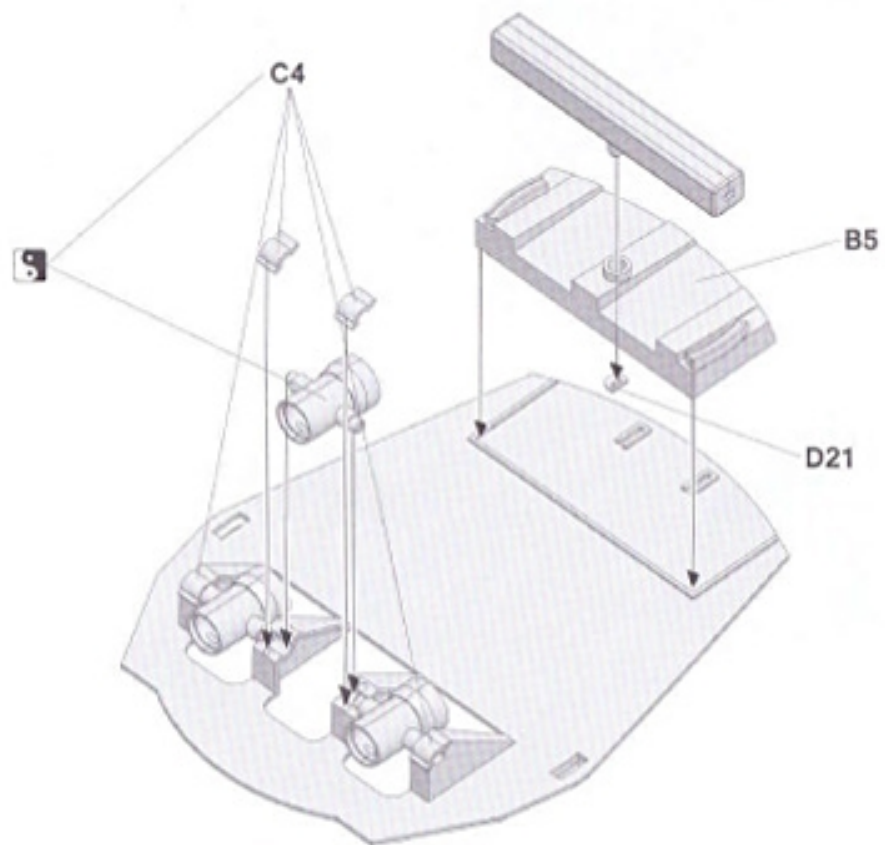
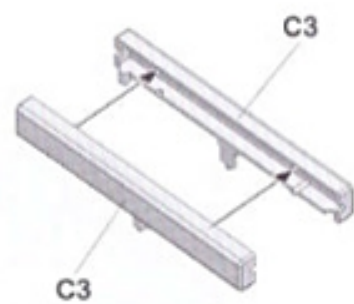




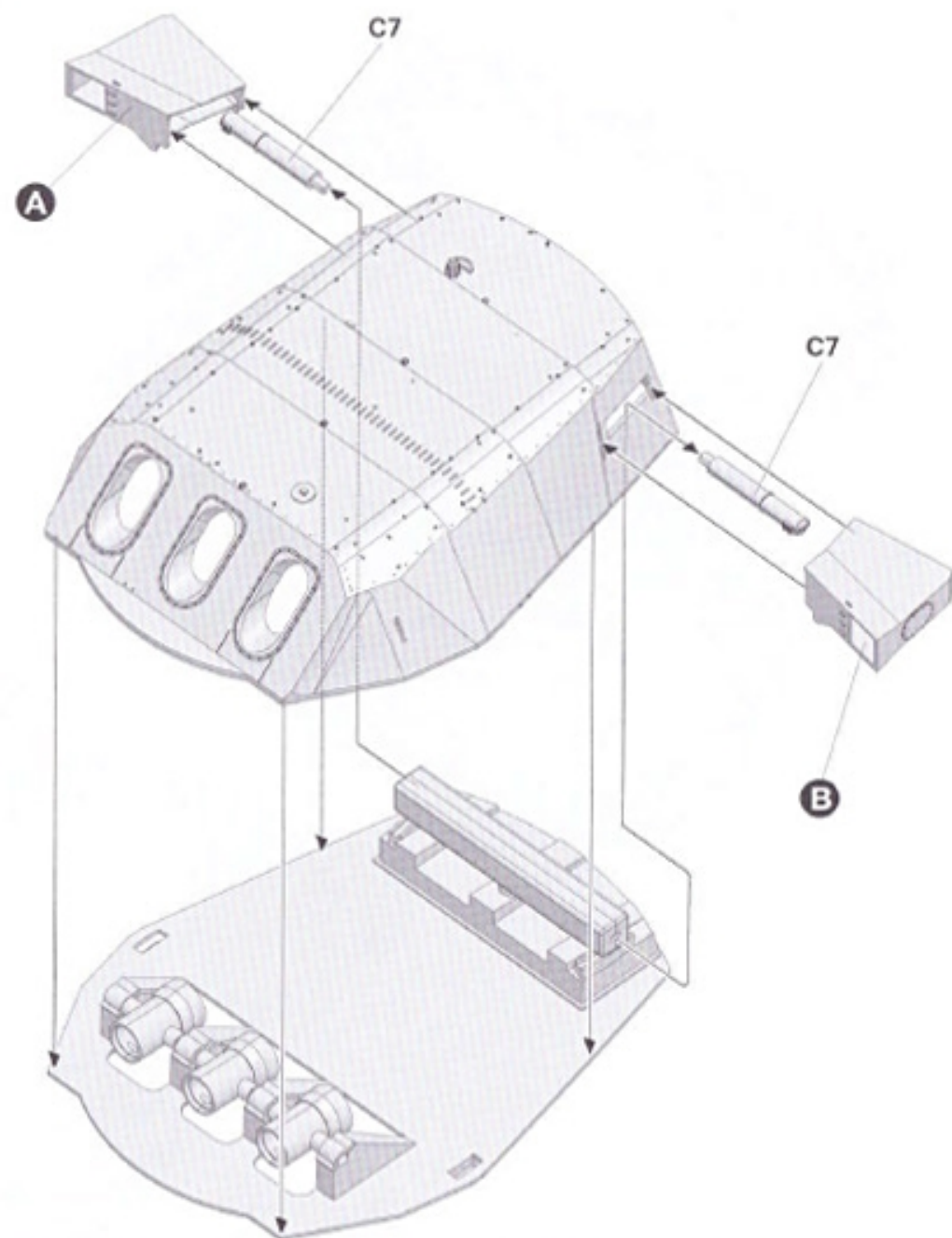
5



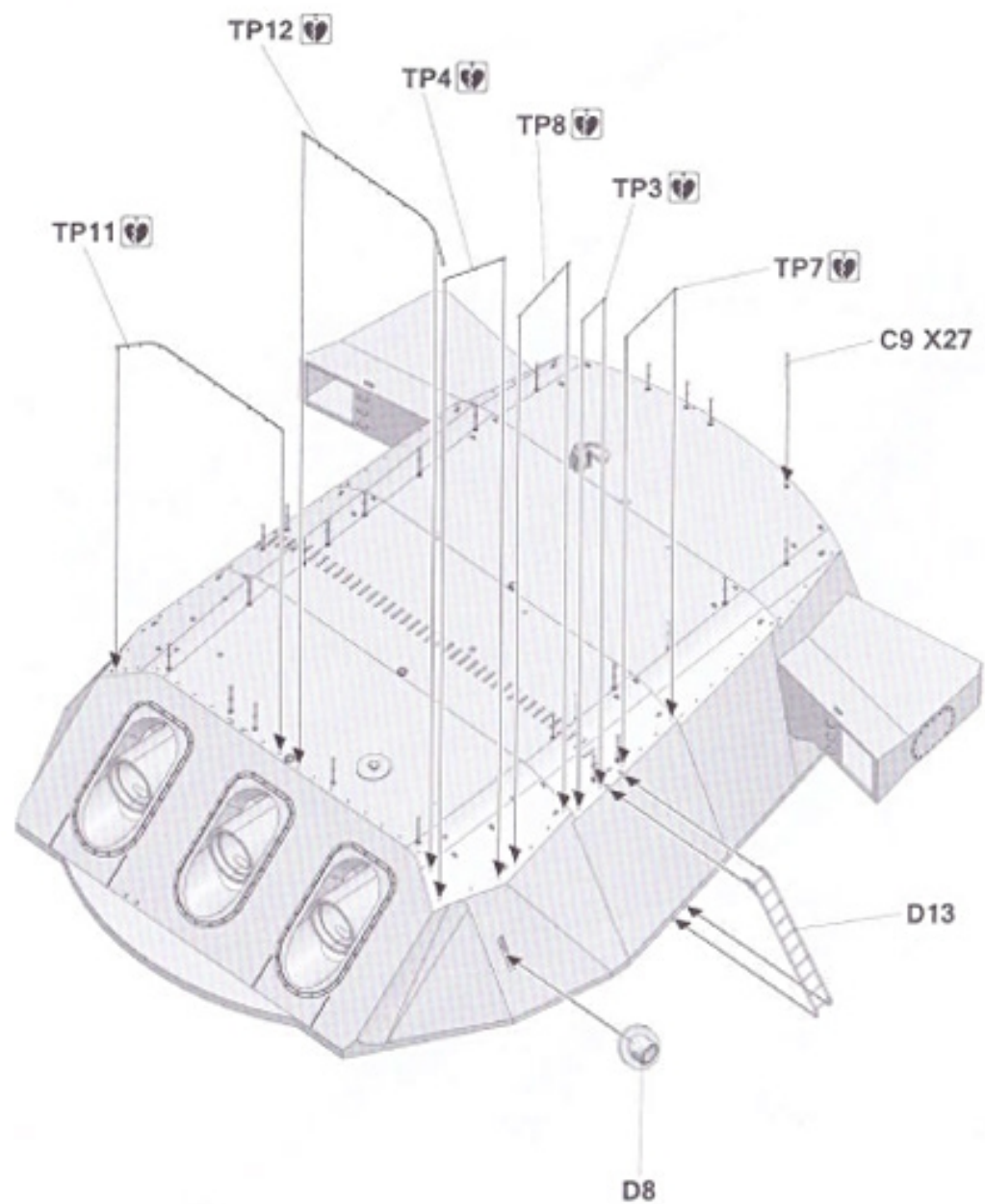
**Make 3**



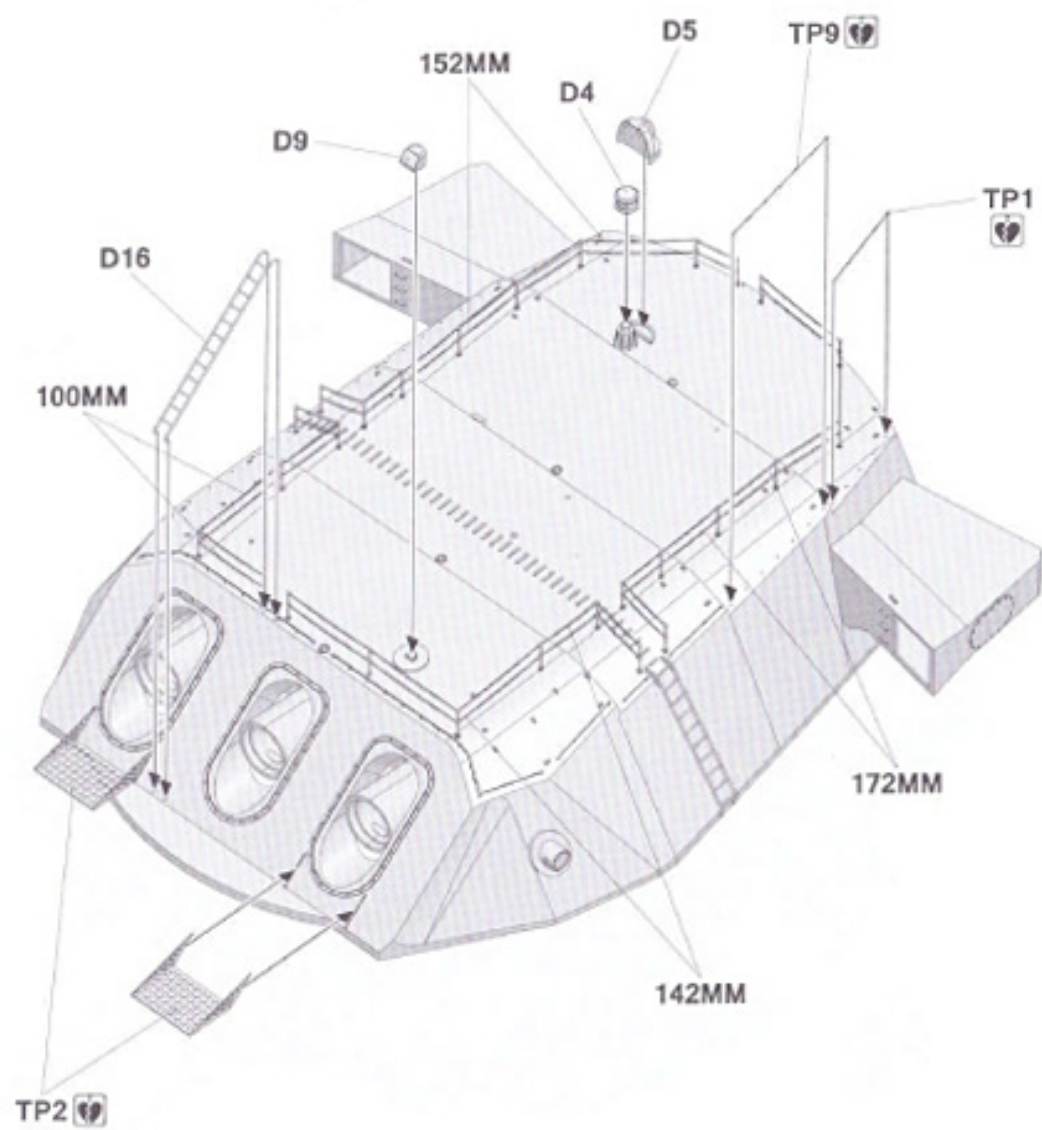
6



7

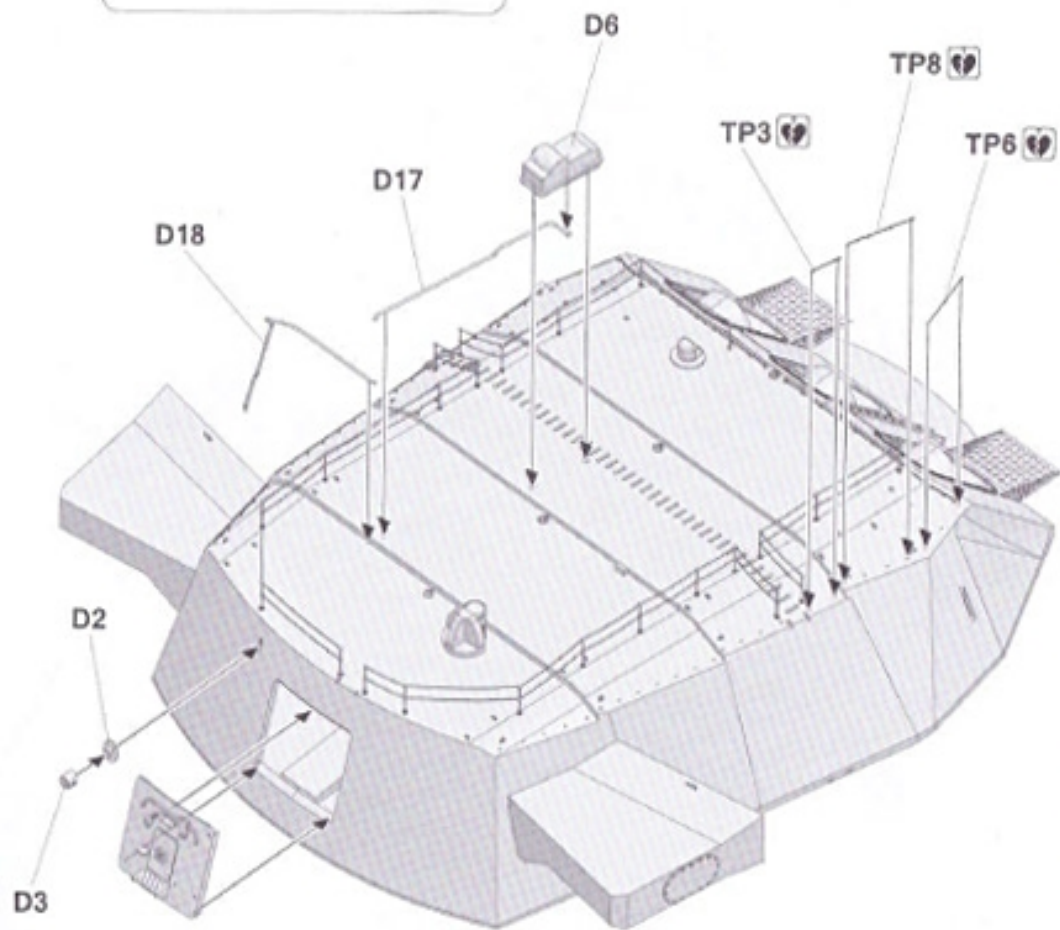
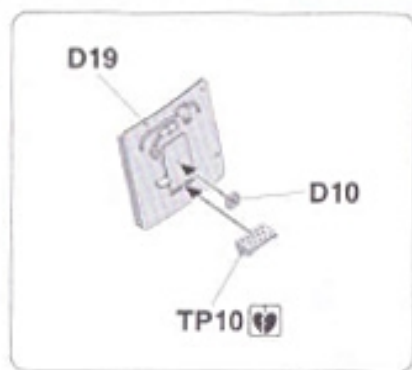


8

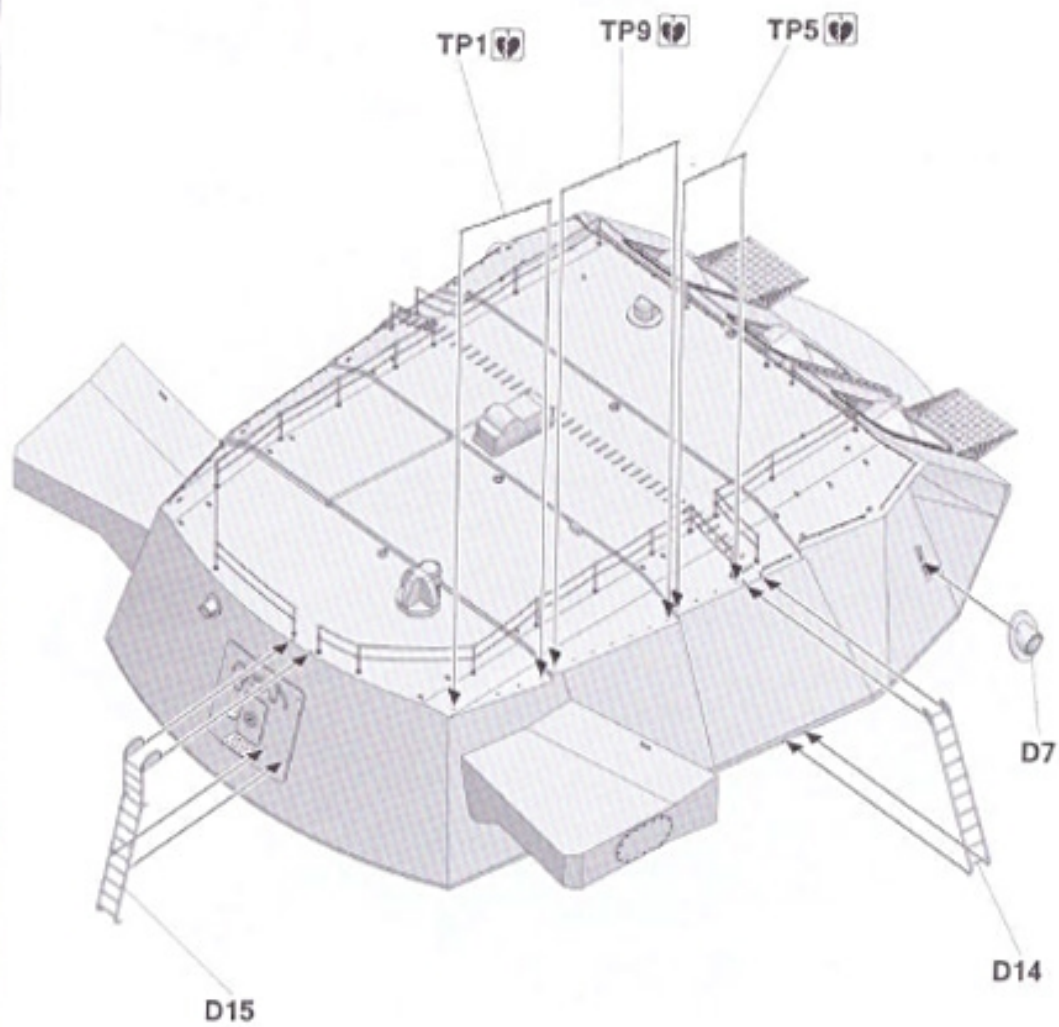




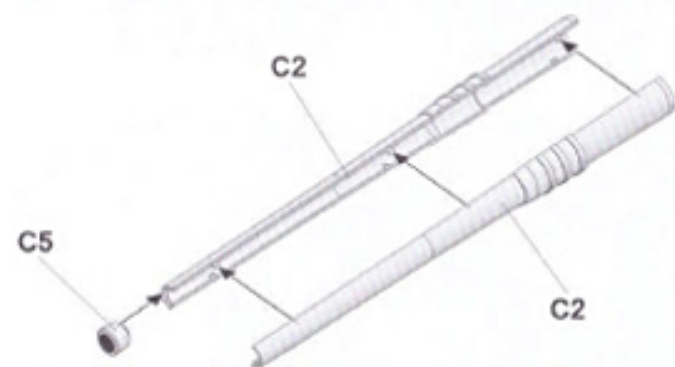
9



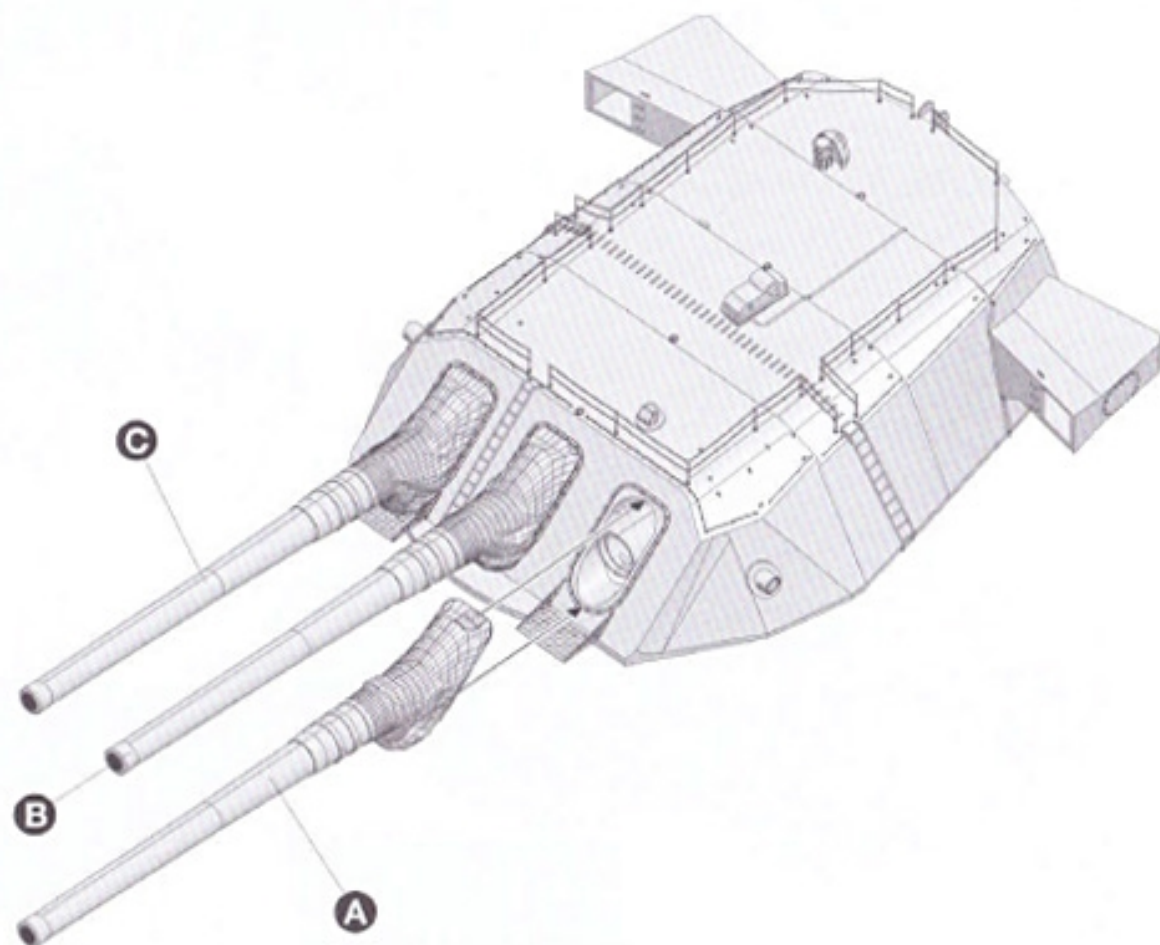
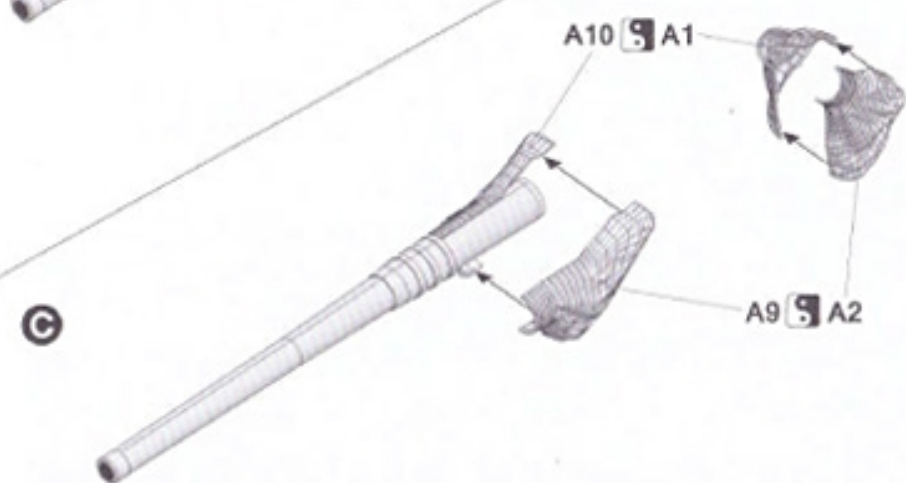
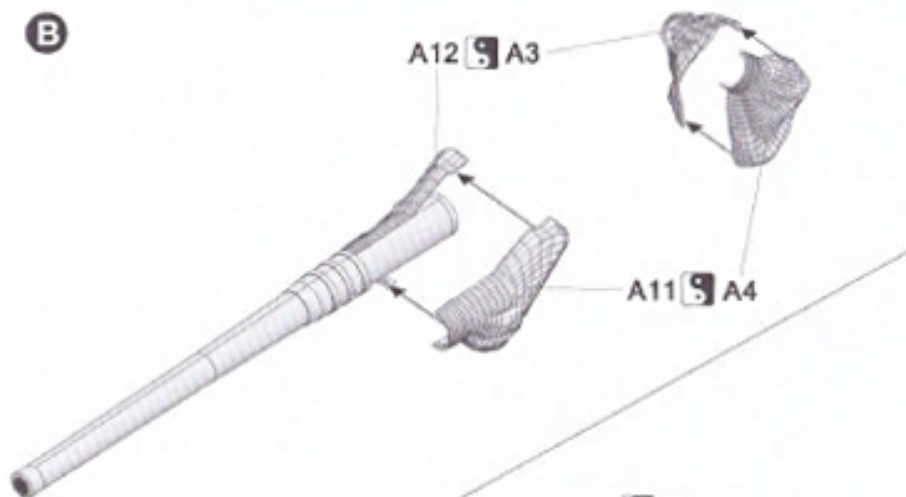
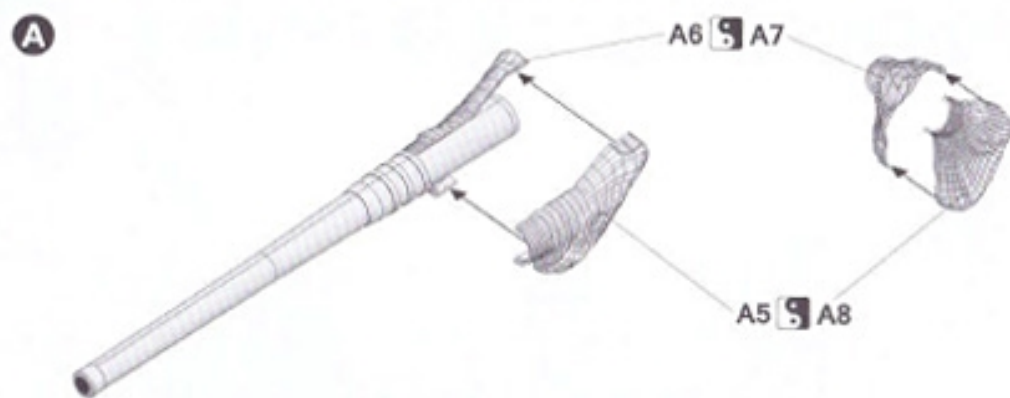
10

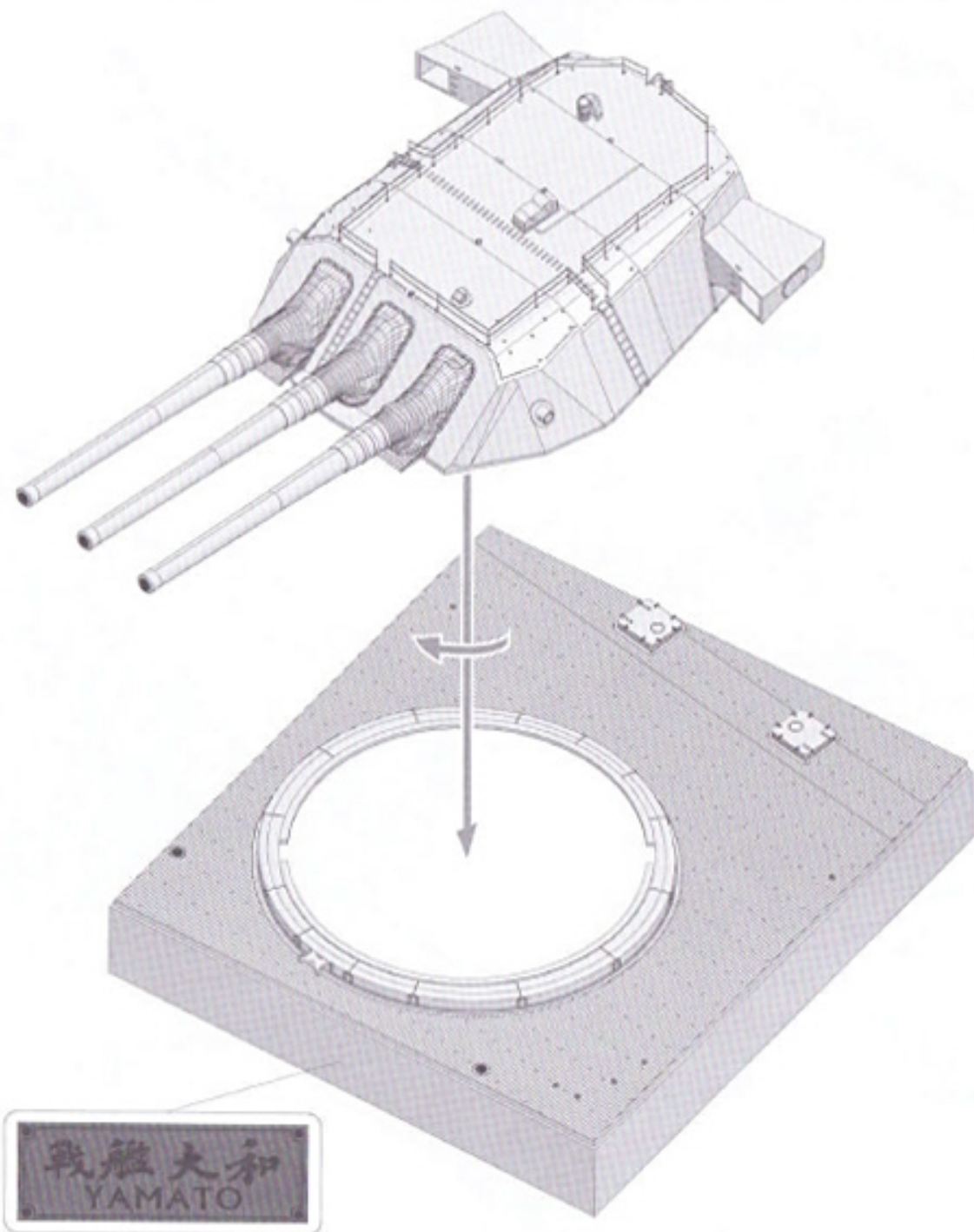






**Make 3**





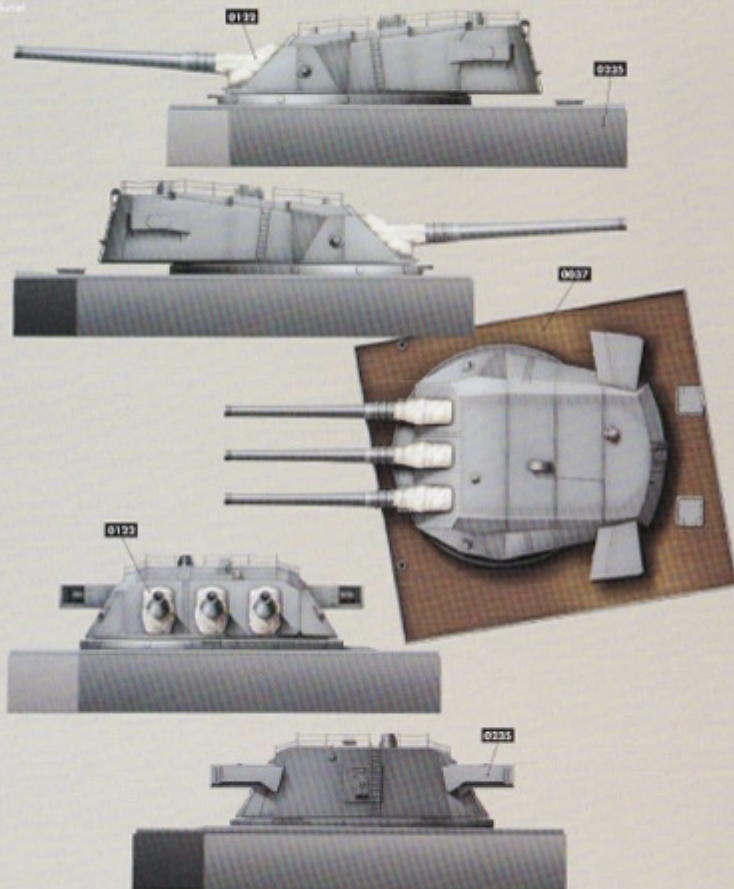


Painting and Marking Guide

TAKOM Ref: 5010

Scale: 1:35

AMMO-6867 Very Grey Shading  
AMMO-1549 Blue for Dark Grey  
AMMO-1067 Blue-Black for Pattern Grey



WEATHERING STEPS WITH AMMO PRODUCTS

<b>1</b> AMMO-6867 Very Grey Shading	<b>2</b> AMMO-1549 Blue for Dark Grey	<b>3</b> AMMO-1067 Blue-Black for Pattern Grey	<b>4</b> AMMO-1550 Darkening Wash for Pattern Grey
<b>5</b> AMMO-1066 Blue Wash for Pattern Grey	<b>6</b> AMMO-3509 Olive/Green Wash for Pattern Grey	<b>7</b> AMMO-1092 Streaking Glaze for Pattern Grey	<b>8</b> AMMO-1486 Trench Drip for Pattern Grey

## RUSSIAN ARMY TANK TRANSPORTER

A DETAILED STATIC DISPLAY PLASTIC MODEL  
A PE AND CLEAR PARTS INCLUDED  
A 4 TYPES OF MARKING

V72  
No. 5009



TAKOM

**MAZ-537G TRACTOR  
w/CHMZAP-5247G SEMITRAILER**

## CHIEFTAIN MK11 CHIEFTAIN MK10

1+1

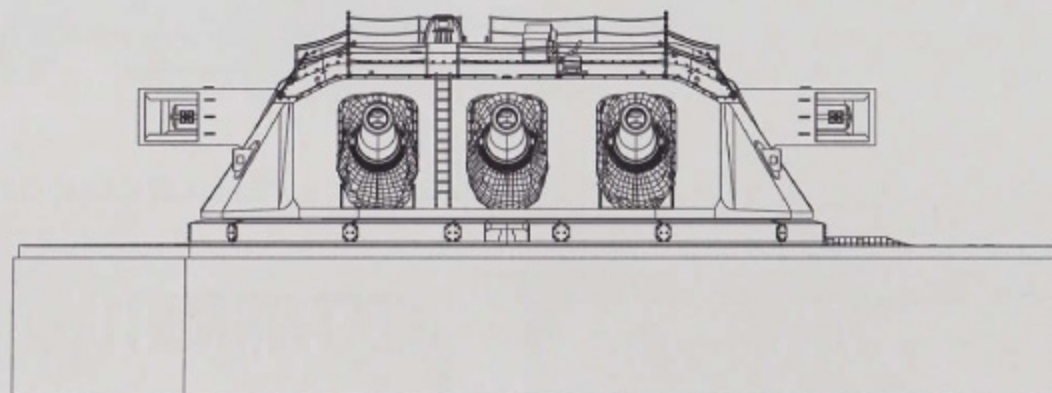


A PE PARTS INCLUDED  
A 4 TYPES OF MARKING  
A 1/35 & 1/48 LENGTH STYLE TRACKS INCLUDED  
A DETAILED STATIC DISPLAY PLASTIC MODEL  
A TRACK ASSEMBLY IS ADDED WITH THE USE OF A JO

V72  
No. 5009

A THIS IS NOT A TOP  
A ELEMENT AND PART MAY NOT ASSEMBLY  
A METAL MAY SHED FROM MODEL ON BENCH  
A READY TO ASSEMBLE & PROTECTIVE MODELS, BUT  
A IMPROVED FOR COLLECTORS OF AGE 14 YEARS AND ABOVE

TAKOM



You can find TAKOM on Facebook.com