

# LEOPARD 2 A7+



GERMAN MAIN BATTLE TANK

德国主战坦克"豹"2A7+



**1/72 SCALE**  
Item No.VS720015

## Meaning of icons



**FILL HOLE**  
填平孔洞



**OPEN HOLE**  
钻出孔洞



**OPTIONAL**  
可选择使用



**2 SETS NEEDED**  
同样的制作二组



**REMOVE**  
切除



**BE CAREFUL**  
小心注意



**APPLY DECAL**  
贴上水贴



**BEND**  
曲折



**DO NOT CEMENT**  
不用粘接



**INSTANT GLUE**  
速干胶  
瞬間接着剂

## CAUTION:

1. When you use glue or paint, do not use near a open flame, and sue in a well-ventilated room.
2. Cut the parts off properly and throw waste parts into dustbox at once.
3. Keep all parts out of small children. Children must not to be allowed to put any parts in their mouths, or pull plastic bags over their head.
4. Do not play with the parts for any other purpose, as some parts may be to sharp. More caution and care needed for families with infants.

## 注意:

1. 當組裝模型時應遠離火種及在空氣流通的房間內進行。
2. 廢置膠料應掉棄在環保回收的垃圾箱內。
3. 由於模型套件有許多細小零件，請勿讓小孩接觸以免產生誤吞之危險。也別讓小孩把包裝膠件之透明塑料袋套在頭上，這很容易引致窒息。
4. 由於零件有不少尖角部份，請勿把玩及作其他用途，請注意及小心保護你的家人。

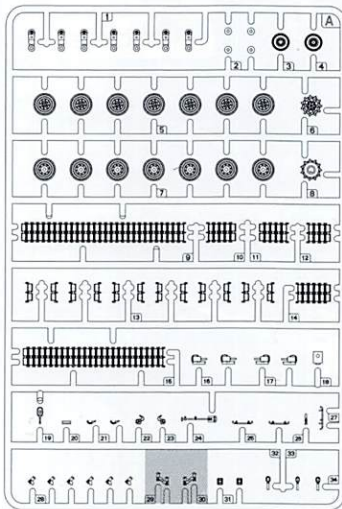
## CORRECT METHOD FOR APPLYING DECALS:

1. Clean model surface with wet cloth.
2. Cut out of decal sheet and dip them in cold water for 15 seconds.
3. Place decal on proper position on model.
4. Slide off base paper leaving decals on model with wet finger tip.
5. Adjust decals to exact position, push out excess water under decal with soft cotton cloth.

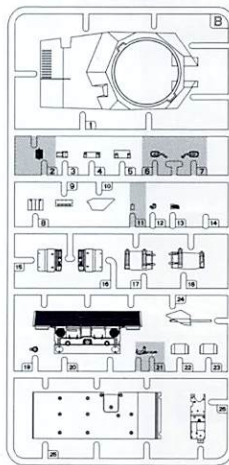
## 正確貼上水貼紙的方法:

1. 將模型表面擦幹淨。
2. 將貼紙剪下泡入清水中約15秒。
3. 將泡濕之貼紙取出置放欲貼處旁。
4. 用指尖輕推貼紙表面使其滑出底紙。
5. 將貼紙調整至適當位置並輕擦拭水份。

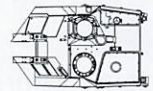
A x2



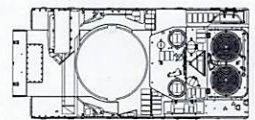
B x1



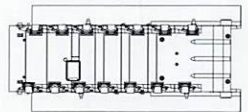
Upper turret x1



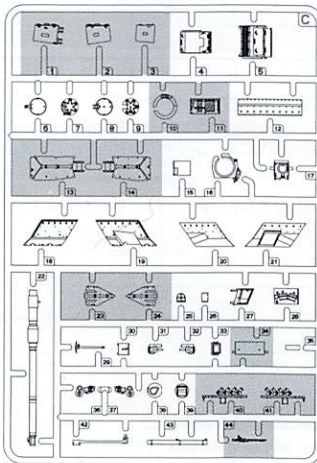
Upper hull x1



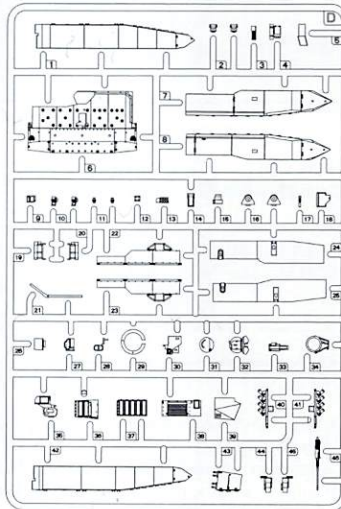
Lower hull x1



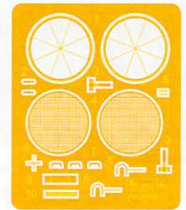
C x1



D x1



Pa x1



Pb x1



Decal x1



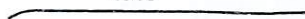
Metal barrel



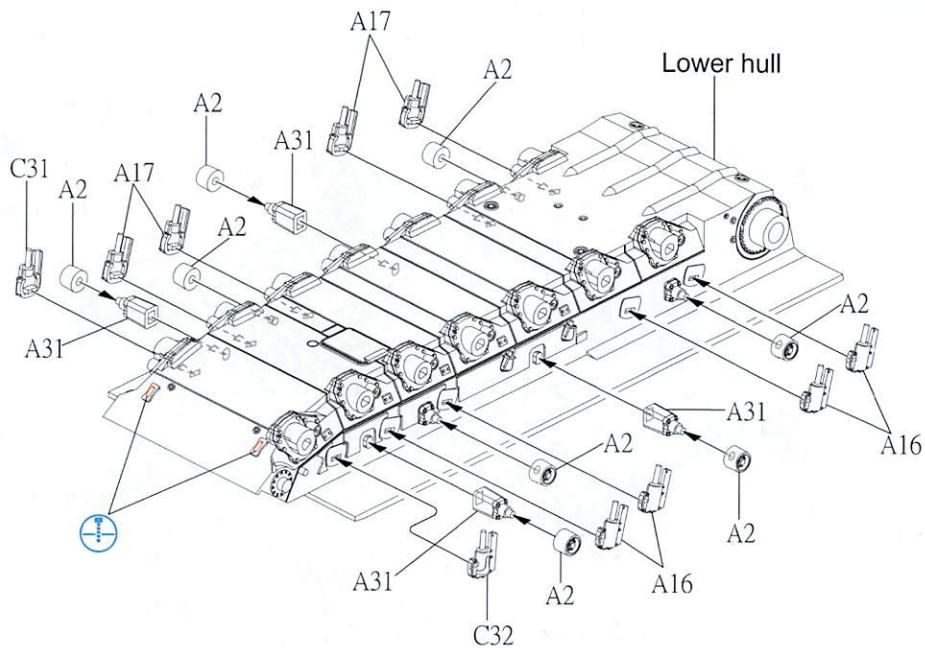
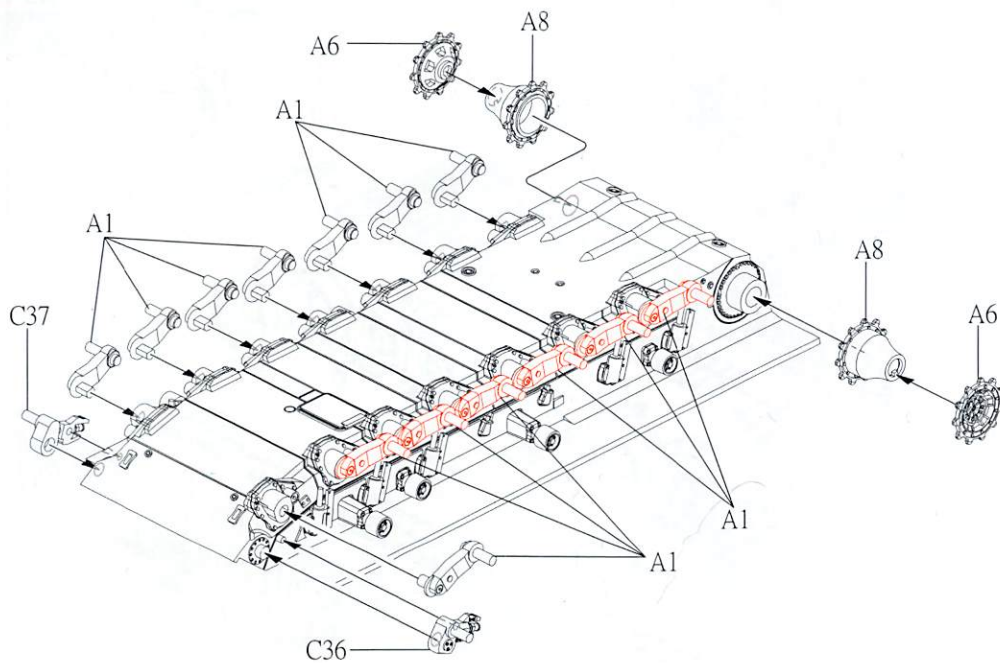
Steel tow cable

鋼纜

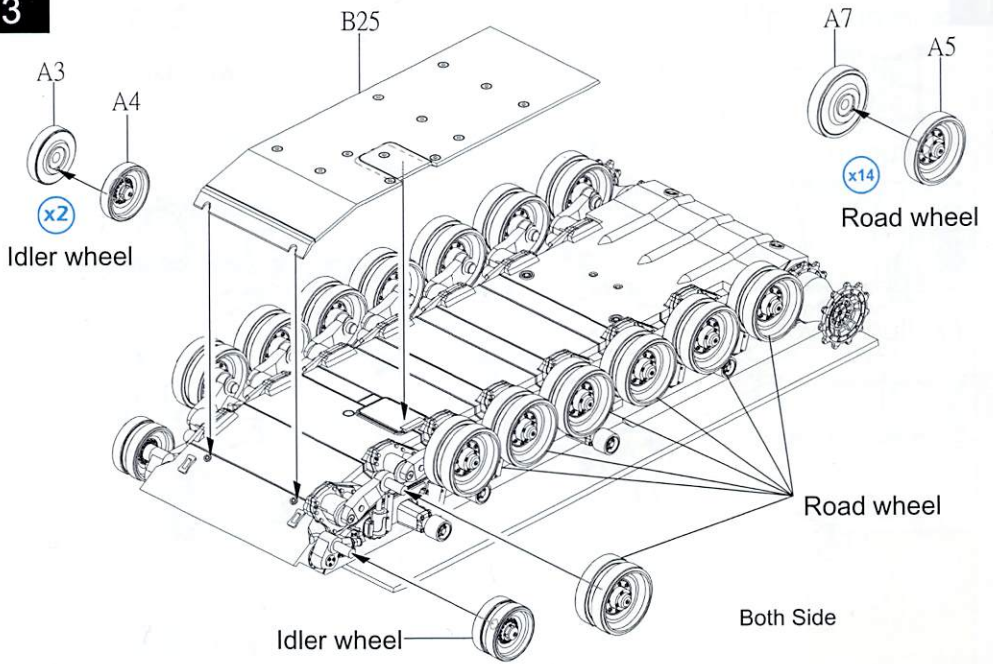
x 2

Not for use part  
(不使用的部件)

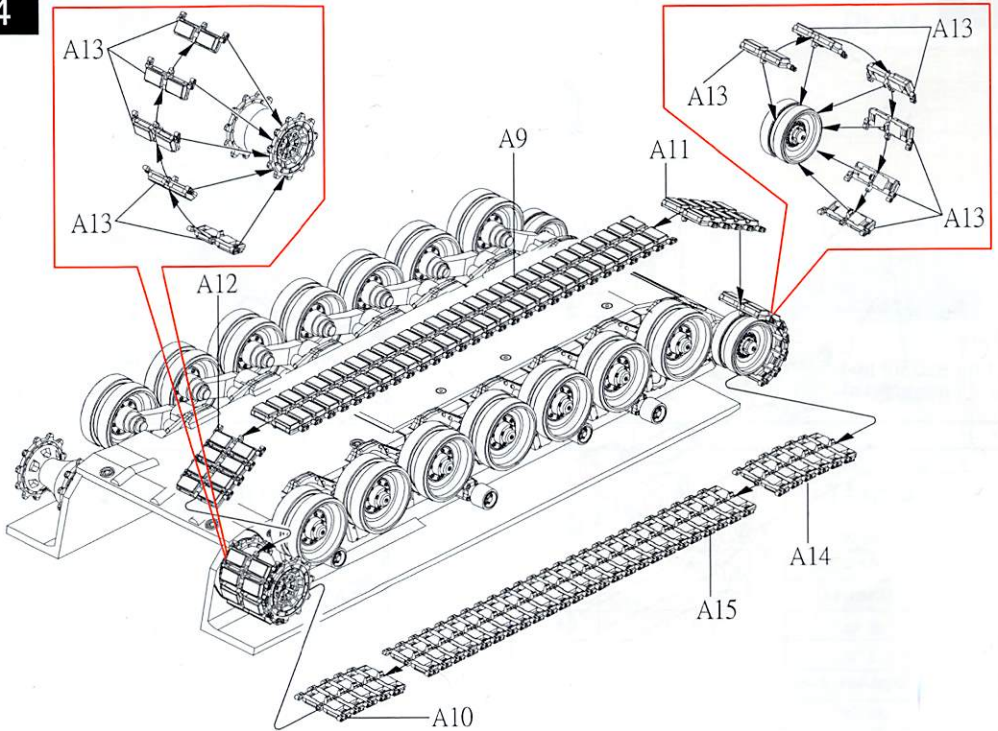
Colour	MR.Hobby	Hobby Color	Humbrol	Tamiya
<b>A</b> Flat Earth	/	/	/	XF-52
<b>B</b> Steel	H-18	C-28	53	X-10
<b>C</b> Medium Grey Grey	/	/	/	XF-20+XF-63
<b>D</b> Desert Yellow	/	/	/	XF-59
<b>E</b> Flat White	/	/	/	XF-2
<b>F</b> Khaki Drab+Olive Green	/	/	/	XF-51+XF-60(80/20)
<b>G</b> Tire Black	H-305	C-137	33	XF-85

**1****2**

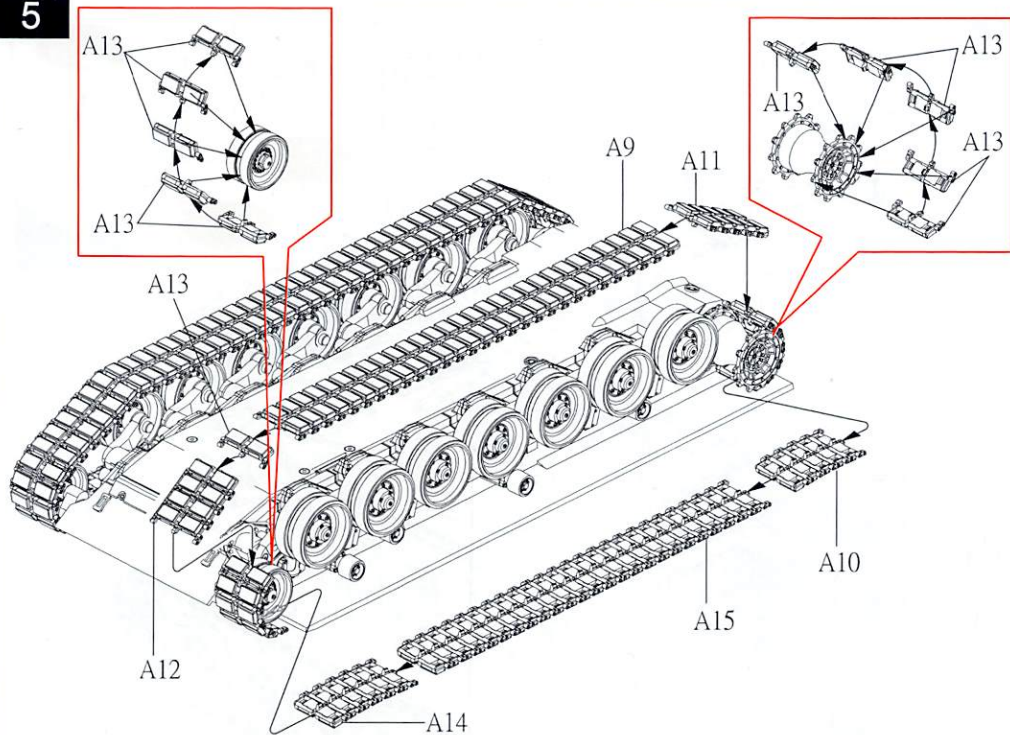
3



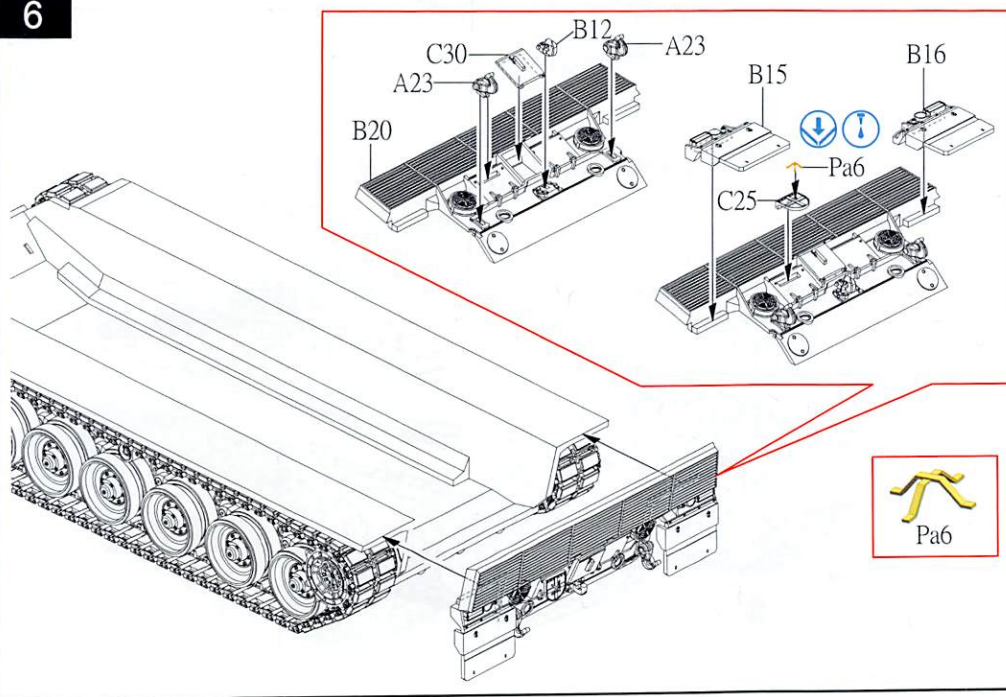
4

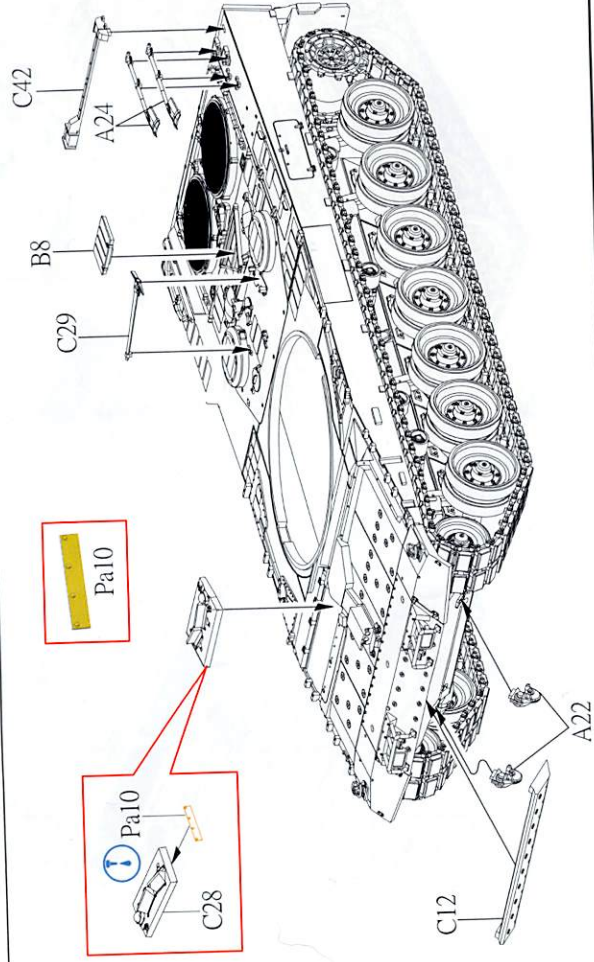
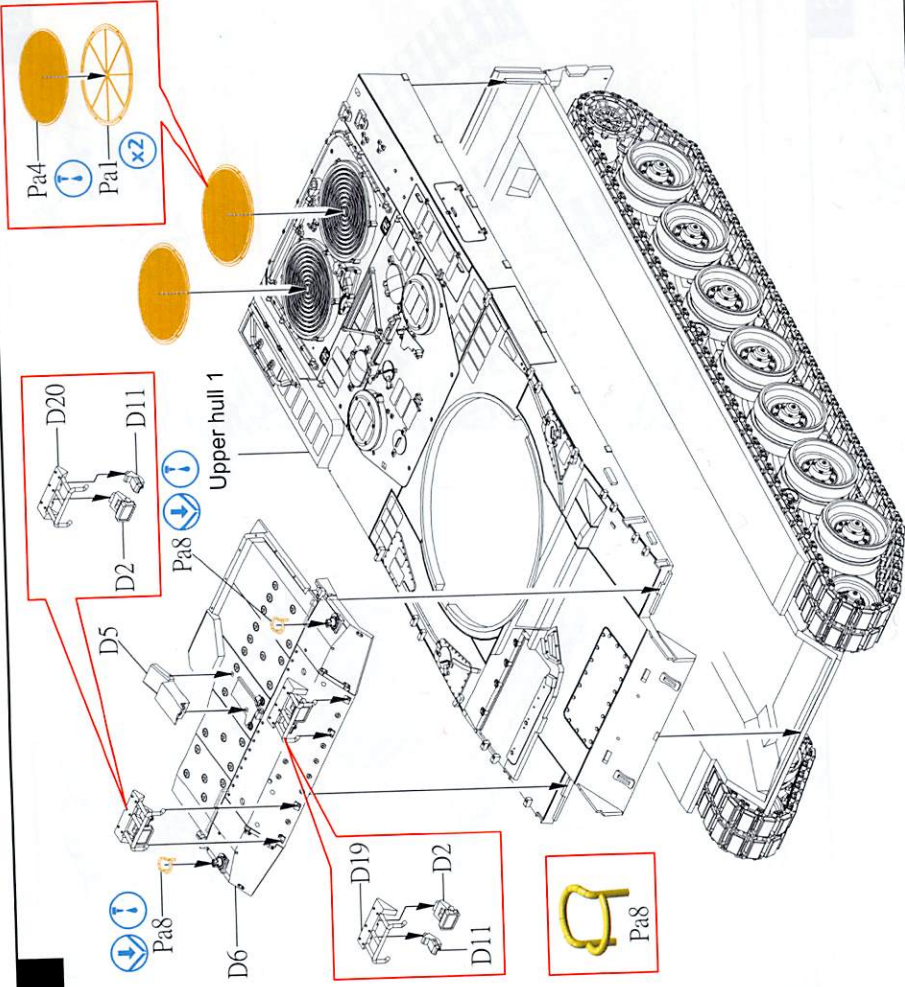


5

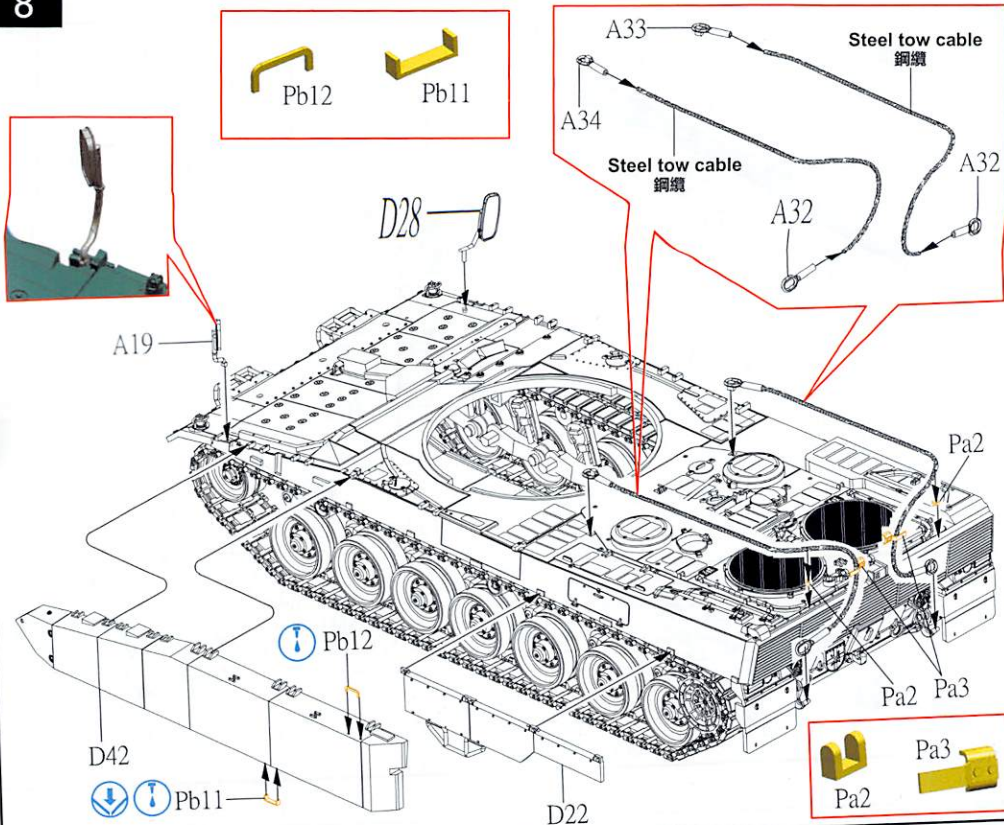


6

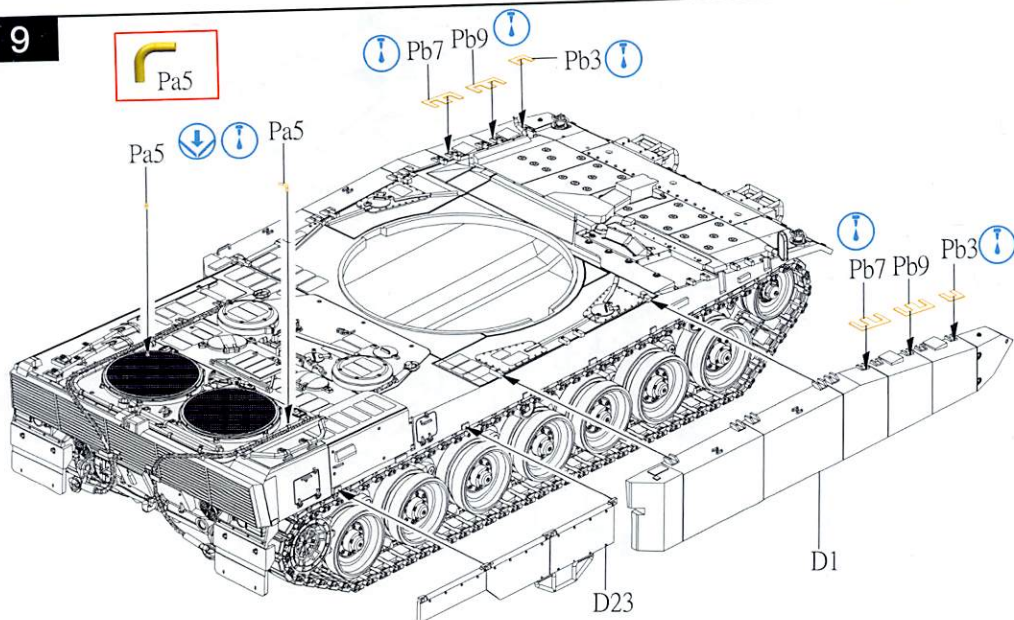




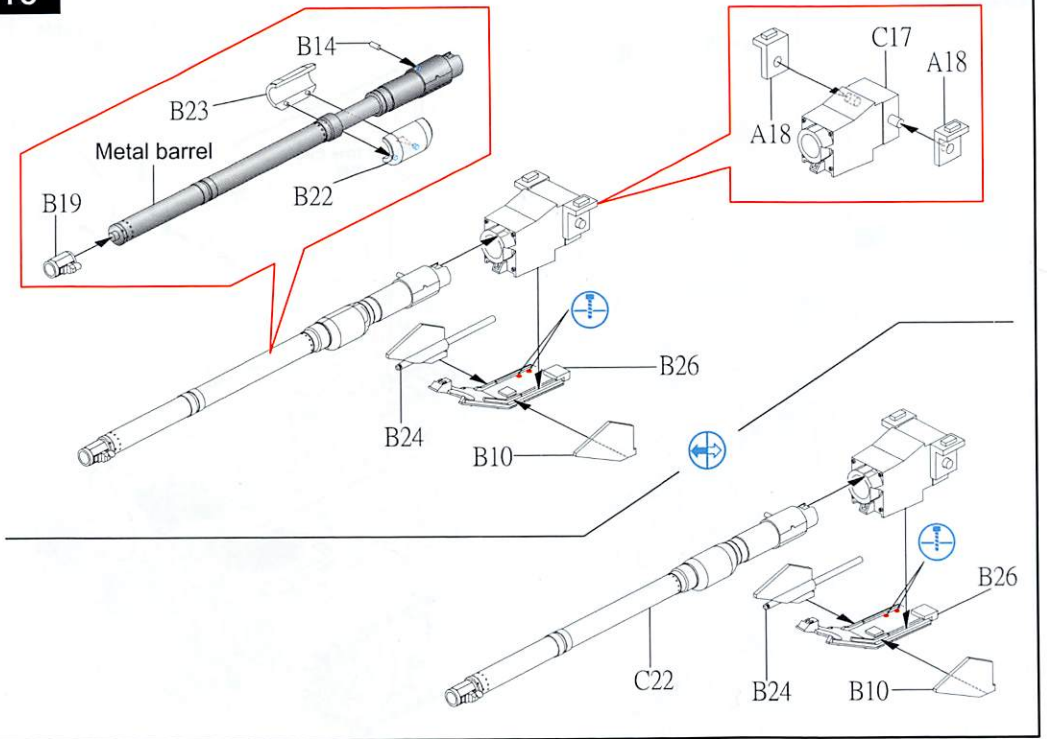
8



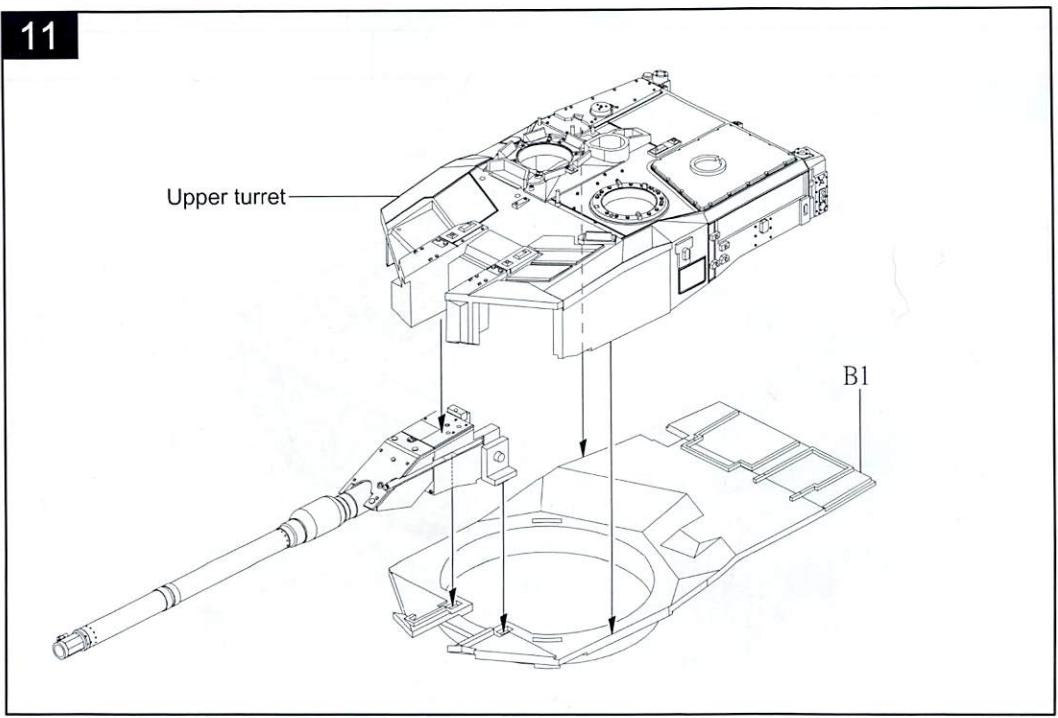
9



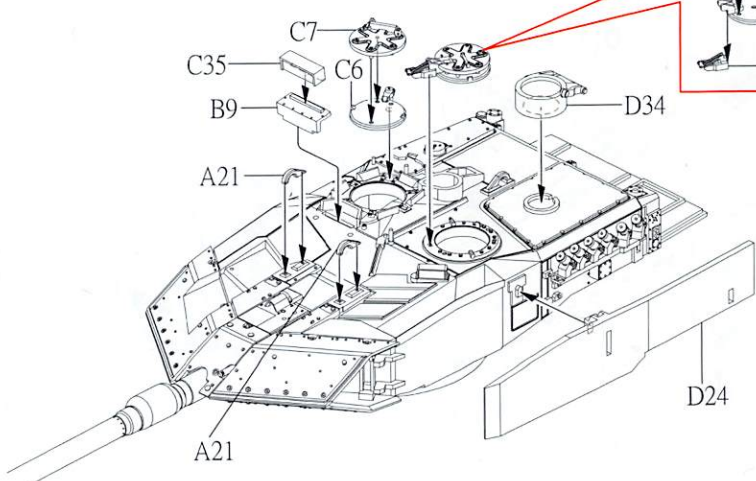
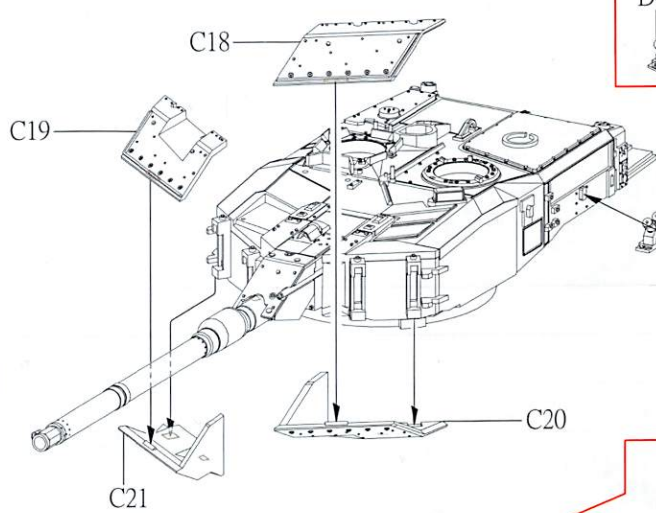
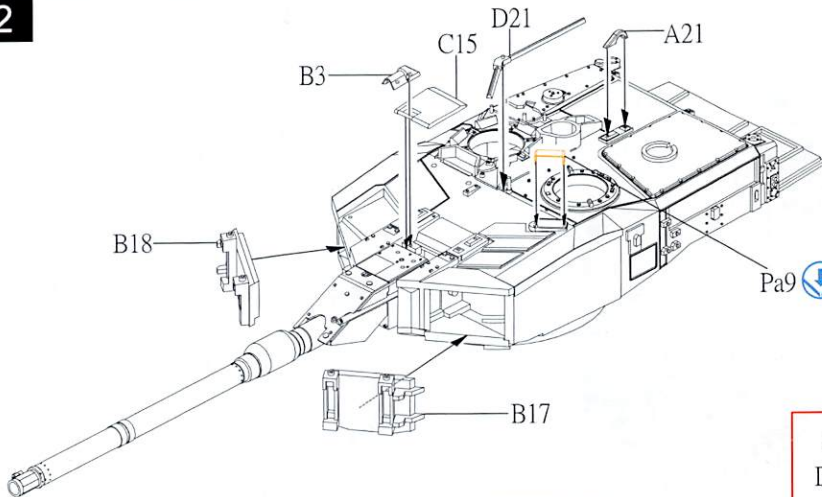
10



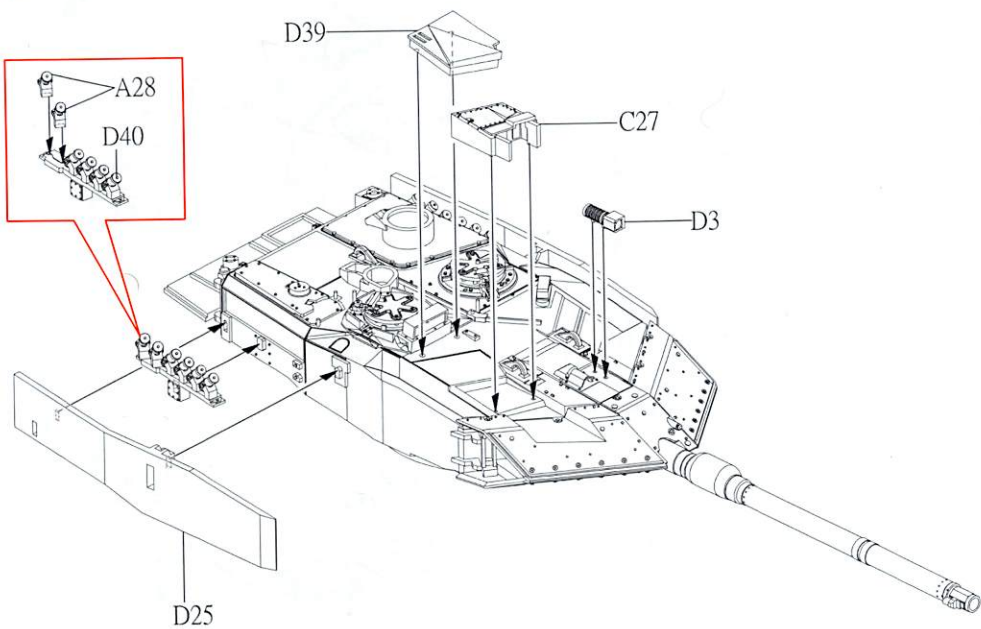
11



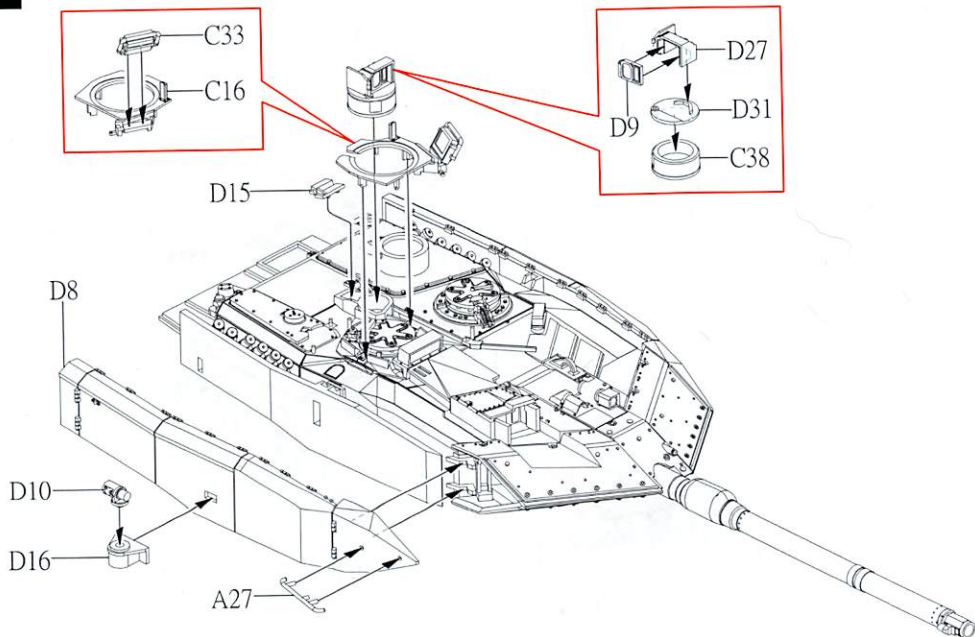


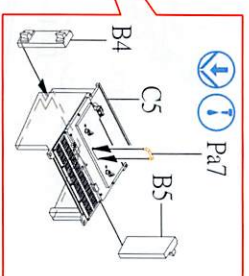
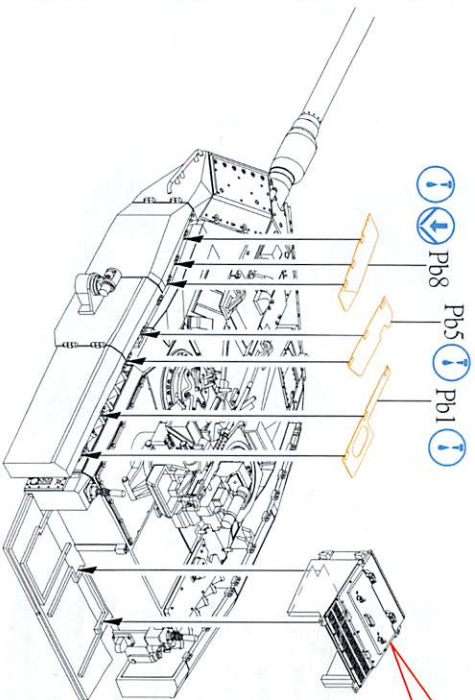
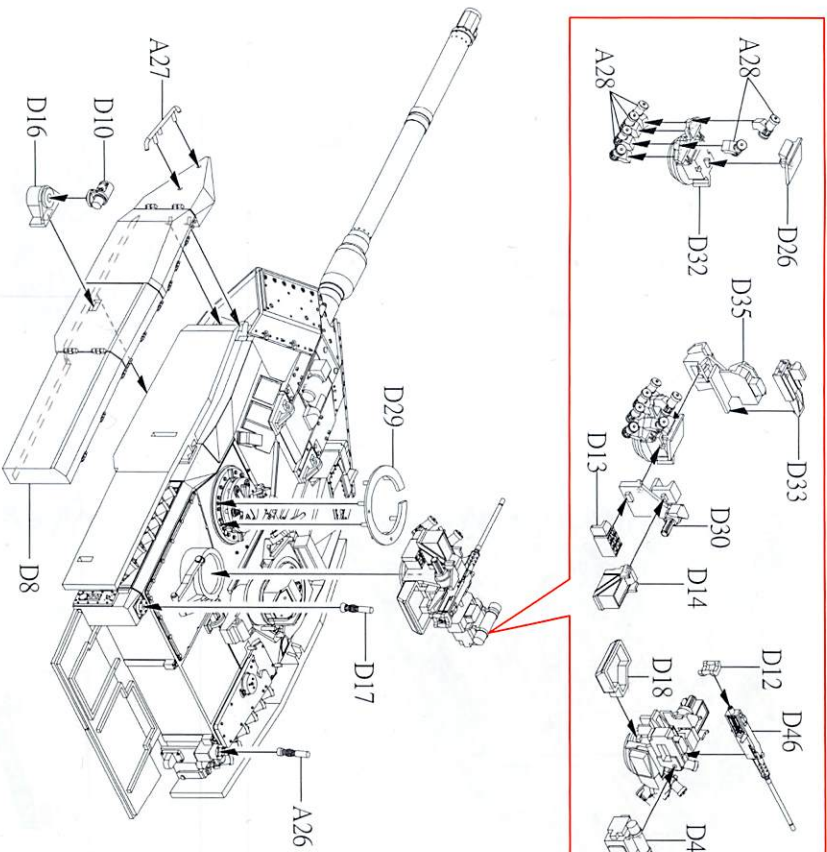


13

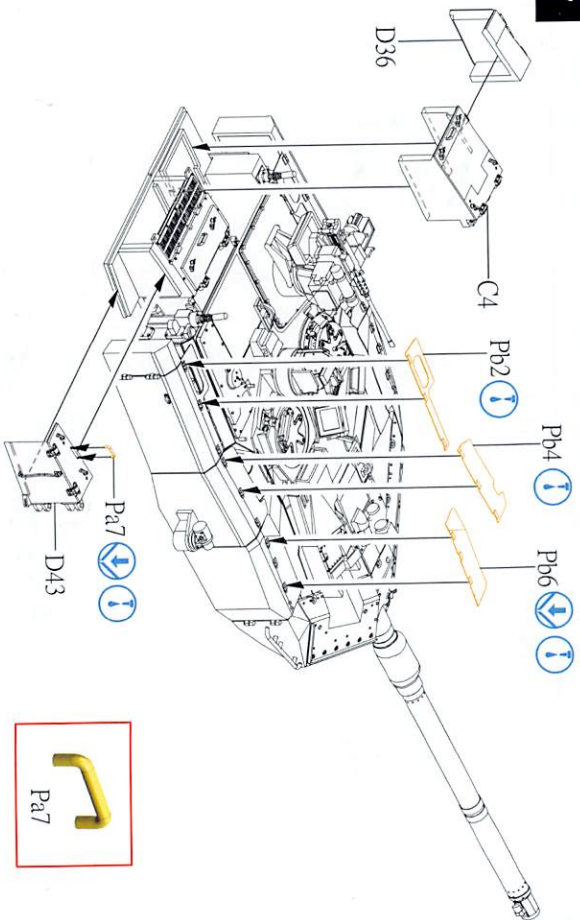


14

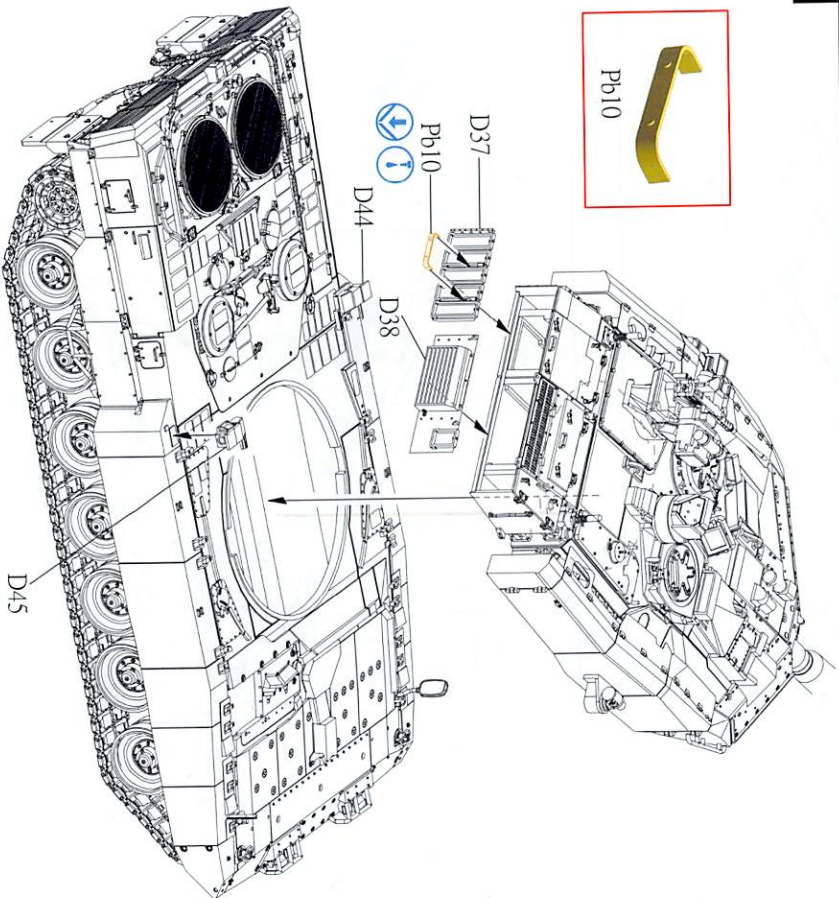


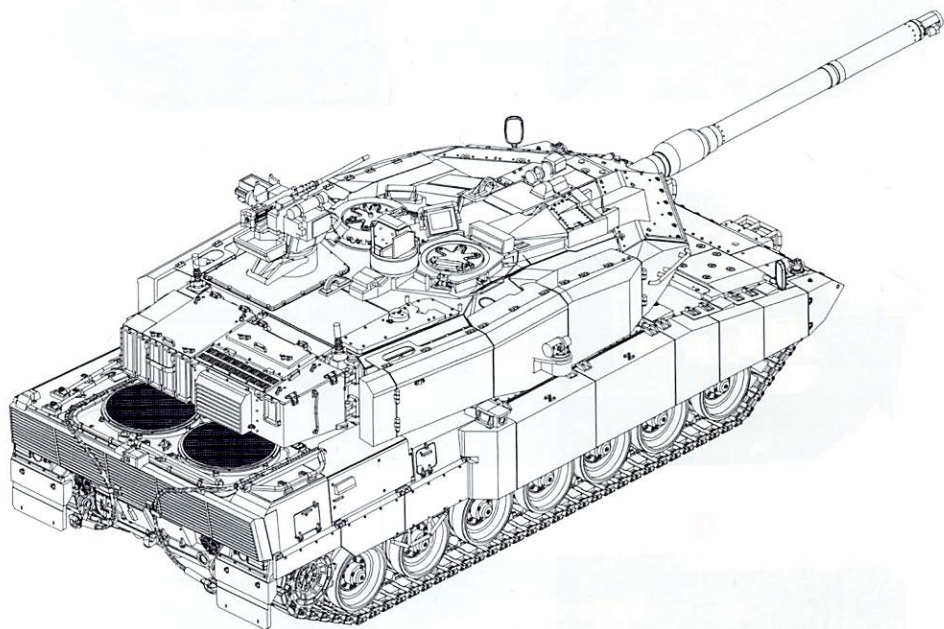
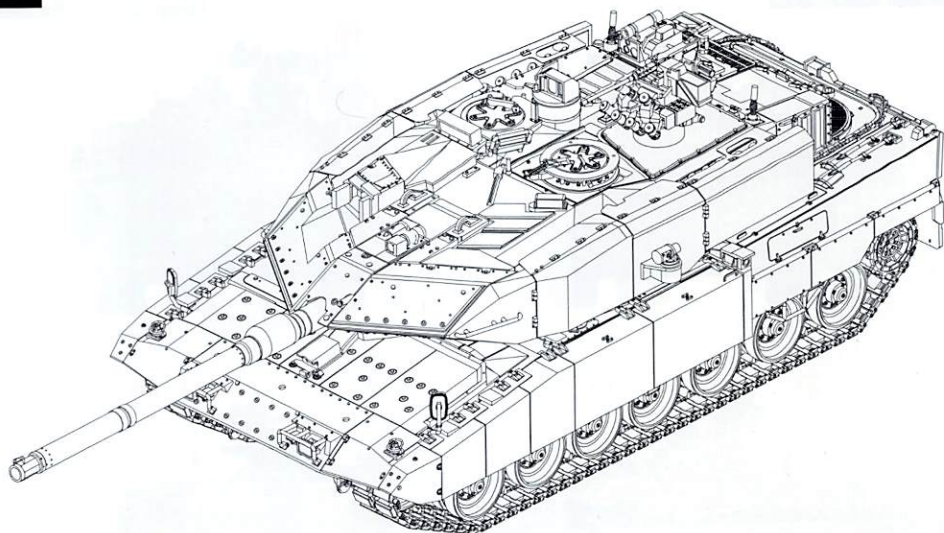


17



18





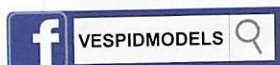
微信公众号



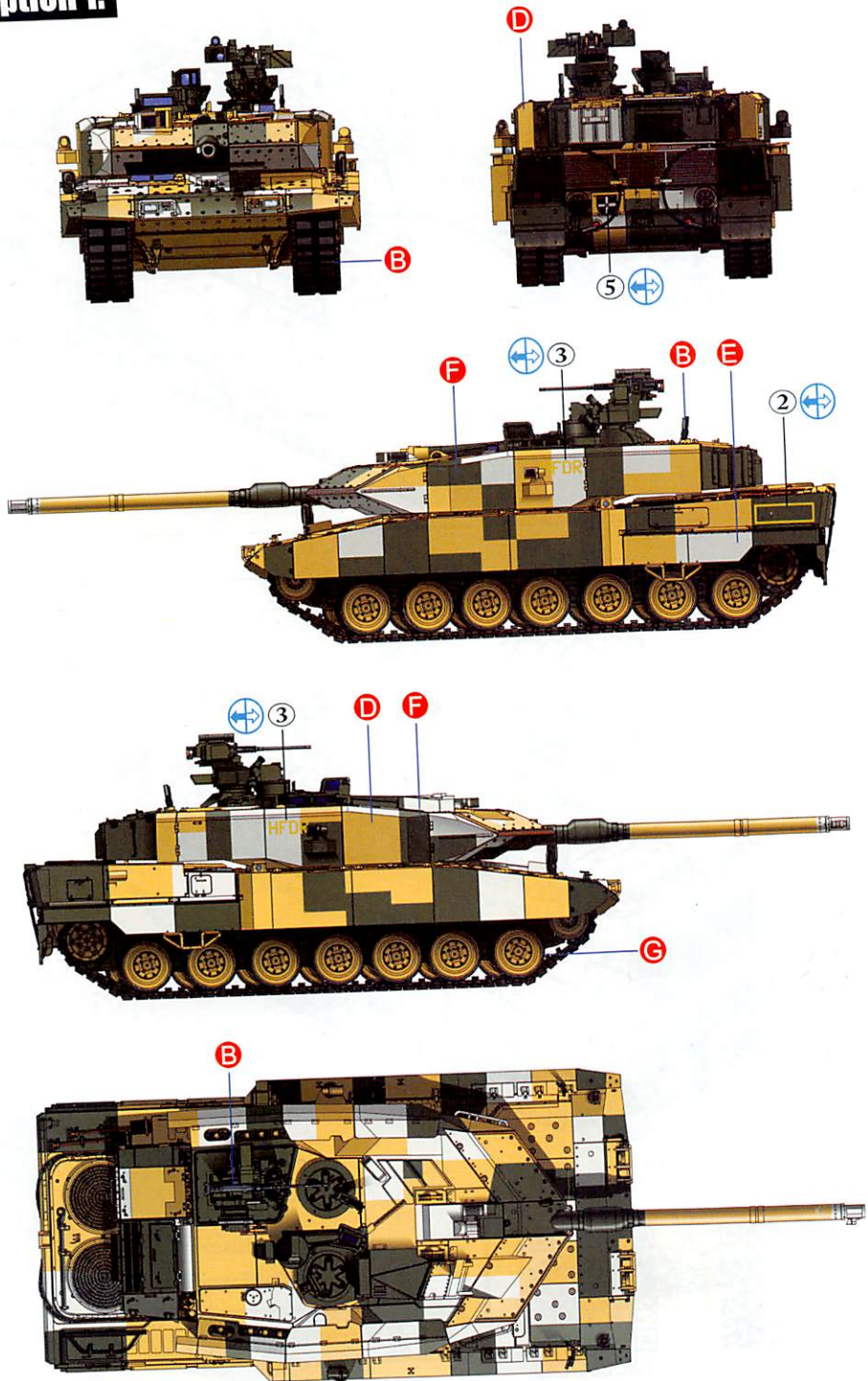
FACEBOOK

Web: [www.vespid-models.com](http://www.vespid-models.com)

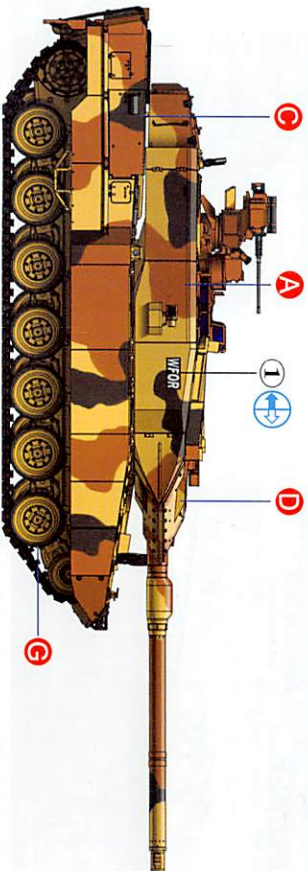
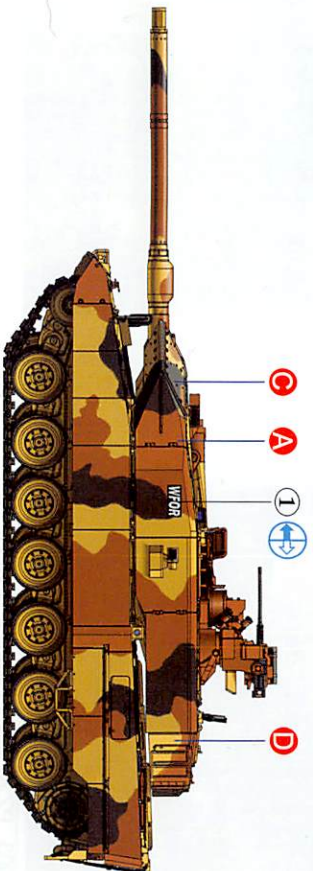
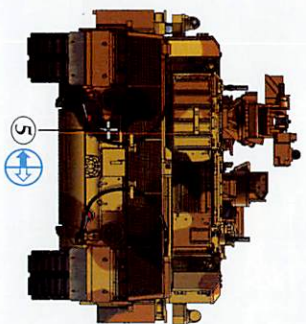
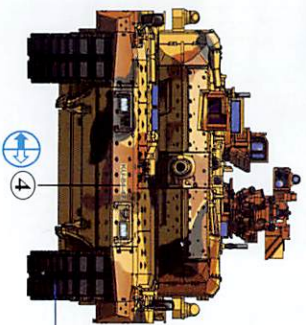
E-mail: [vespidmodels@foxmail.com](mailto:vespidmodels@foxmail.com)



# Paint Option 1:



# Paint Option 1:





VS720001 Pz.kpfw VIII Maus V2  
德国超重型坦克“鼠”  
(二号试验车体搭载1号试验炮塔)



VS720002 A-34 'Comet' MK.1A  
A-34英軍“彗星”巡洋坦克MK.1A型



VS720003 PZ.KPFW.V 'PANTHER' AUSF.G  
‘黑豹’ G中型坦克后期生产型



VS720009 Pz.KPfw.V 'Panther' Ausf.G (w/ Steel road wheels & AA Armor) 2 in 1  
德国‘黑豹’G中型坦克(弹性钢轮和防空装甲改装型)2合1



VS720010 Sdkfz.173 Jagdpanther G1 Late Production  
德国Sdkfz. 173 ‘猎豹’ G1重型坦克歼击车后期型



VS720011 Pz.KPfw.V 'Panther' Ausf.F (75mm Kw.K. L/70)  
德国‘黑豹’F中型坦克  
(搭载Kw. K. L/70 75mm炮型)



VS720012 2cm Flakvierling auf Panther G Fahrgestell  
德国“黑豹”G型20mm防空坦克



VS720013 'Flakpanzer 341' 3.7cm Flakzwilling auf Panther G Fahrgestell  
德国“黑豹”G型37mm防空坦克(项目代号341)