

# U.S. TANK M4 A1 sHERMAN



## SPECIFICATION

**GENERAL**  
**CREW:** 5.  
**BATTLE WEIGHT:** 66,500 LBS.  
**GROUND PRESSURE:** 13,7 LBS/SQ. IN.

**1/72 SCALE**

**DIMENSIONS**  
**LENGTH:** 19 FT. 2 IN.  
**HEIGHT:** 9 FT.

**KIT 8028**

**WIDTH OF TRACK:** 16.5 IN.  
**GROUND CLEARANCE:** 17 1/8 IN.

## ARMAMENT

ONE 75 MM. GUN M3, CALIBER LENGTH 40.  
 TWO CAL. 30 BROWNING MACHINE GUN, M1 91 9A4 (BOW AND COAXIAL).  
 (ONE CAL. 50 MACHINE GUN M2, H.B. - ANTI-AIRCRAFT).  
 ONE MORTAR, 2 IN., M3.  
 ONE TRIPOD MOUNT, M2, CAL. 30.  
 PROVISION FOR: ONE CAL. 45 SUBMACHINE GUN (EQUIPMENT OF CREW).

## ENGINE

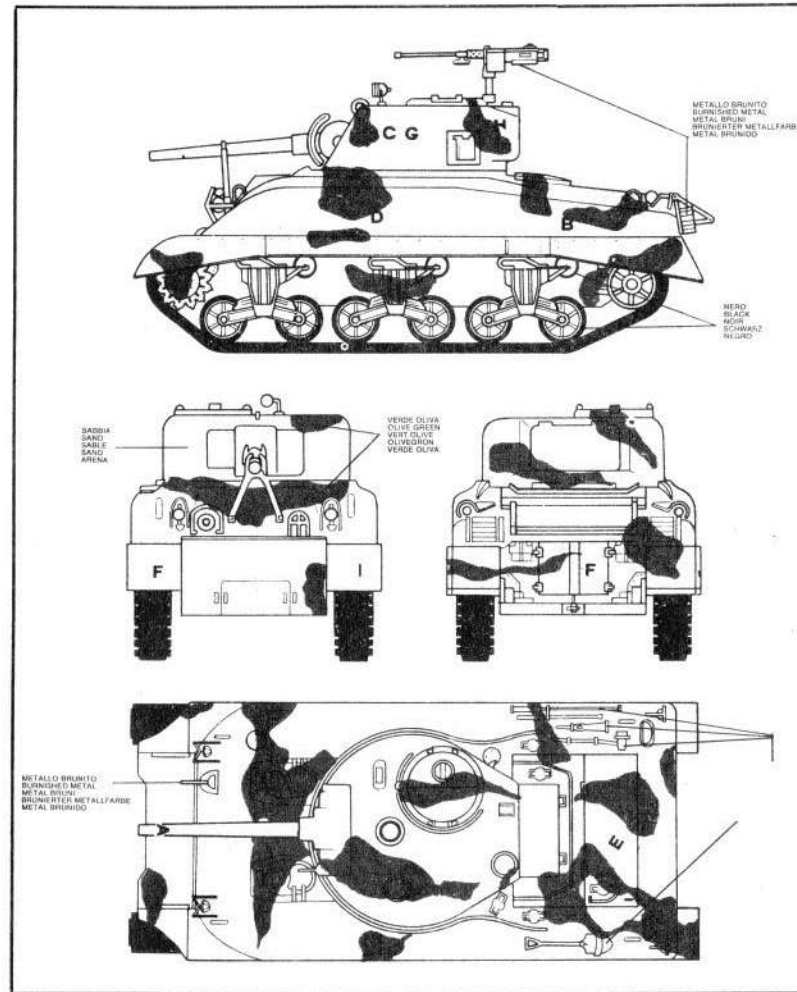
CONTINENTAL R975-C1, 353 HP AT 2,400 RPM, RADIAL 9 CYLINDERS,  
 GASOLINE, AIR-COOLED, COMPRESSION RATIO 5.7 : 1  
 Ek:nin ROETAOIN



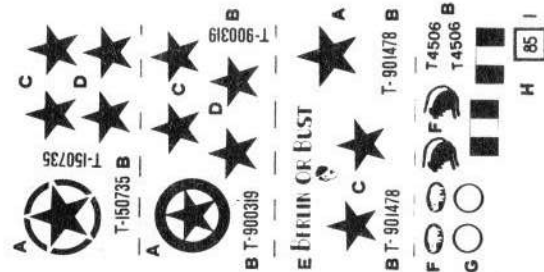
MADE IN ITALY

## PERFORMANCE

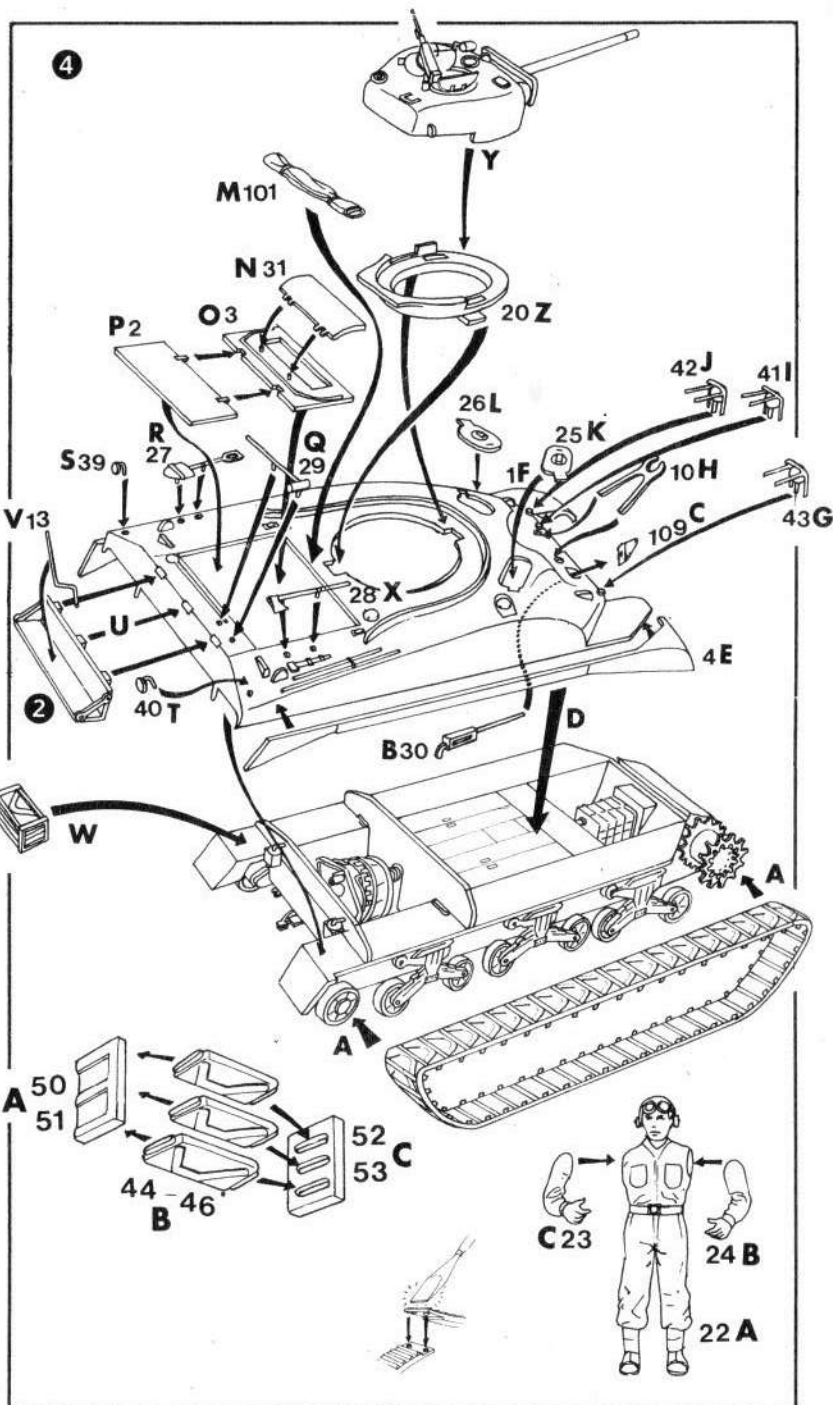
**SPEED:** 24 MPH. ON ROADS.  
**CLIMBING ABILITY:** 31° (60% SLOPE).  
**TRENCH CROSSING ABILITY:** 7.5 FT.  
**FORDING DEPTH:** 40 IN.  
**RADIUS OF ACTION:** 100 MILES MAX.

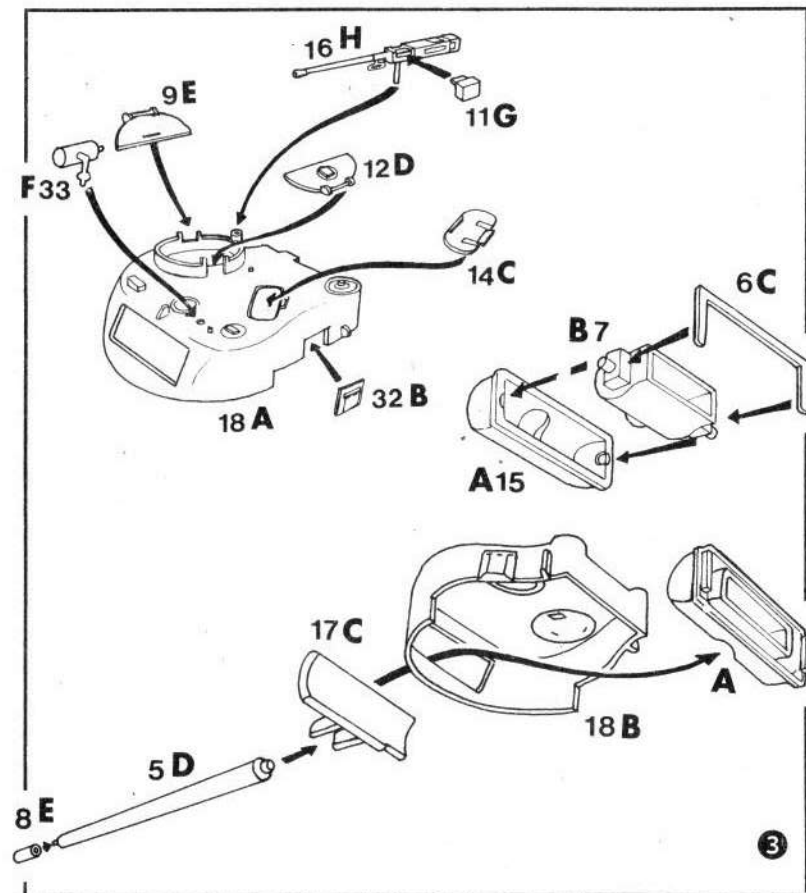
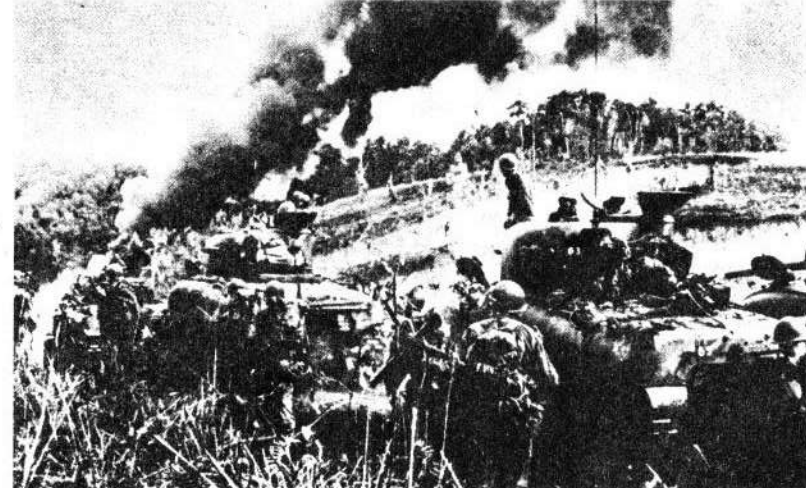
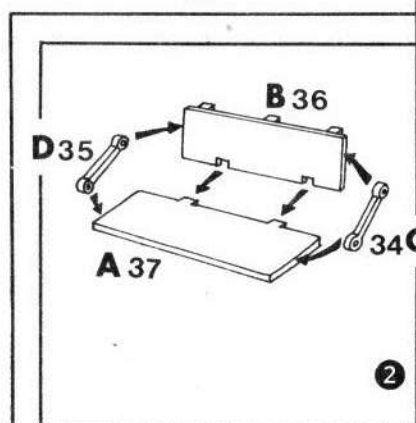
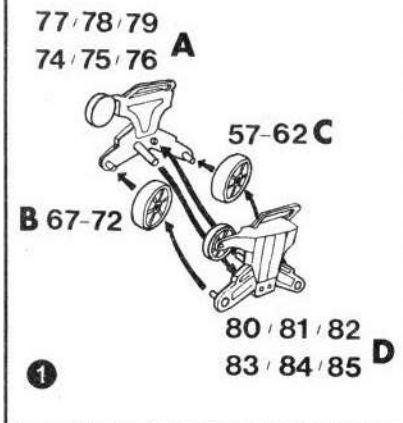
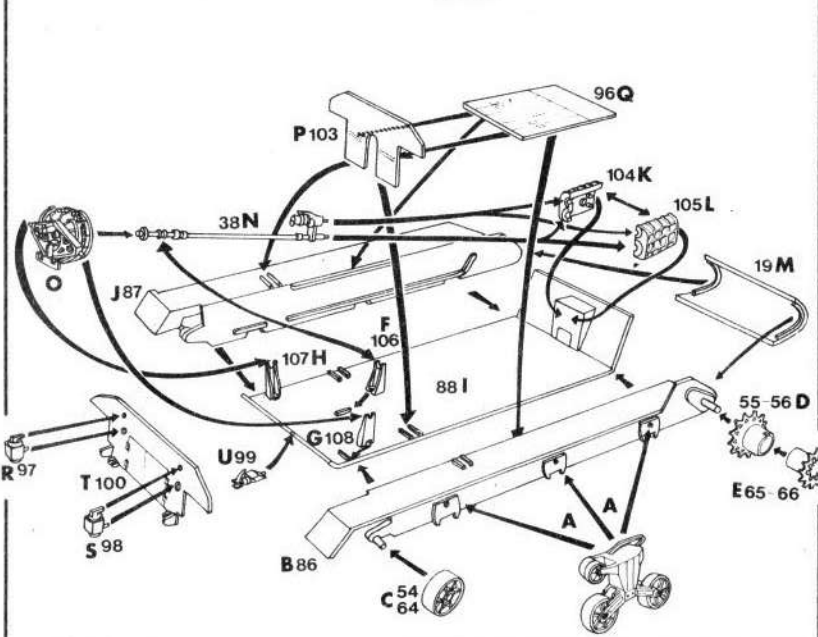
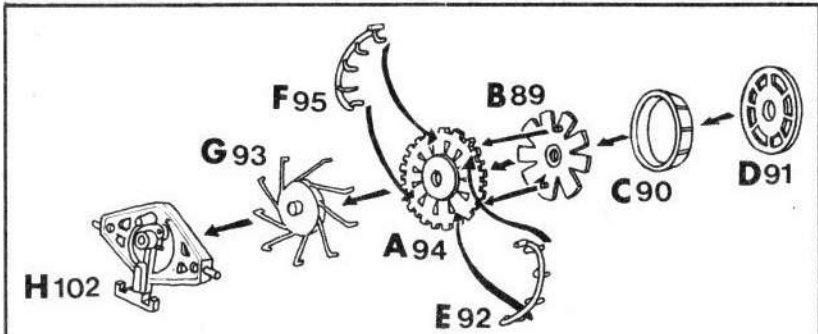
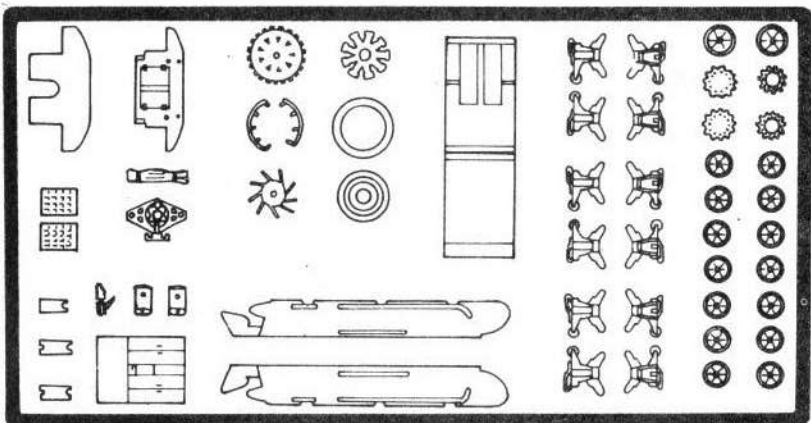
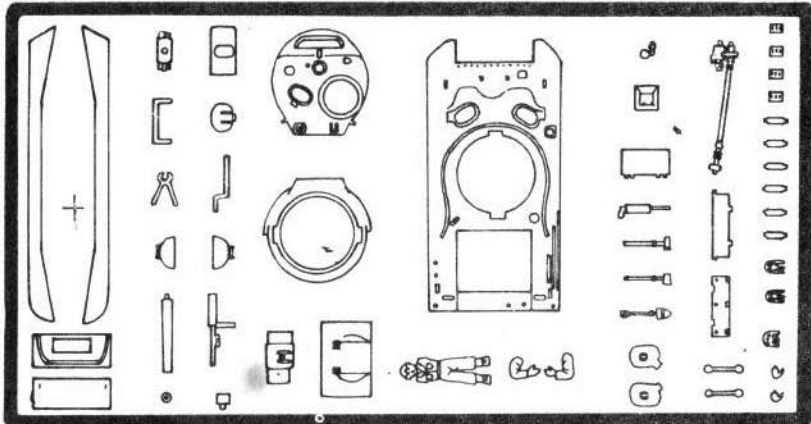


MADE IN ITALY



4







T-150735



T-150735



T-900319



T-900319

FRANCESCO LUSSI



T-901478



T-901478



T 4506



T 4506



MILANO ITALY

KIT 8028

M4 AI SHERMAN

85