

Canadian Cruiser Tank Ram Mk.II Early Production

加拿大造公羊式巡航坦克Mk.II型（早期型）

1/35 SCALE



In 1940 the Canadian Government decided to build a Cruiser tank for the Canadian army, using parts from the US M3 Lee. The first pilot tank was ready by November 1941, using the entire M3 lower hull, but with new cast upper hull and turret. The first 50 tanks were designated the Ram MkI and mounted a 2 Pounder gun. However the main production version would be the MkII with a powerful 6 Pounder anti-tank gun. Unfortunately the 6 Pounder was not ready until April 1942, and by this time the American M4 Sherman was entering mass production. The Ram was no longer needed as a combat tank, but was produced as a training tank. The Ram MkII weighed 29 tons and had armour up to 87mm thick. Powered by a 400bhp Continental R-975 radial, the Ram had a maximum road speed of 40 km/h. The 6 Pounder gun could penetrate 90mm of armour at 1,000 meters, using APCBC ammunition. The early Ram MkII's had side doors in the hull sides and a machine gun sub-turret, which were eliminated in later versions. Some 2,032 Ram tank were built and were used for training both in Canada and in the UK. A few Ram tanks were used in action as Armoured Observation Post (AOP) and Gun Position Officer (GPO) tanks with the Royal Canadian Artillery regiments. Many Ram's had their turrets removed and were converted to Ram Kangaroo heavy APC's, or gun tractors. These being used in N. W. Europe 1944-45. In 1945 Ram tanks were used to equip two Dutch armoured battalions, remaining in service until replaced with Centurion tanks in 1952. The Ram tank was used as the basis of the highly successful Sexton 25 Pdr Self Propelled Gun.



中文

1940年，加拿大政府决定利用美国造M3“李将军式”坦克部件为加拿大军队量身定制一款巡航坦克。1941年11月，使用整个M3底盘，第一批试制样车准备就绪，采用新的铸造上车体和炮塔。前50辆坦克定名为公羊Mk.I，配QF 2磅炮。但是，量产型将是具有强大功能的Mk.II型，配QF 6磅反坦克炮。不巧QF 6磅炮直到1942年4月才准备就绪，期间美制M4谢尔曼坦克已经大规模生产。公羊坦克并没有如预期般在战场服役，英军通常把它作训练用途。公羊Mk.II型坦克，重达29吨，装甲厚度87毫米。装备400马力的Continental(大陆)R-975发动机，最大行驶速度为40km/h。使用APCBC弹药，6磅坦克炮可以在1000米距离穿透90毫米的装甲。早期型的公羊Mk.II型在车体两侧各有一道侧门和一个小机枪塔，在以后的衍生车型中，它们被拆除。大约共建造了2,032辆公羊坦克，被加拿大及英国军队用作训练。一些坦克被加拿大皇家炮兵团大量采用作装甲观察车（AOP）和炮兵指挥车（GPO）。许多公羊坦克的炮塔都被挪走改装成公羊袋鼠重型装甲运兵车，或炮拖战车。这些车辆经常出现在1944-45年的欧战前线。1945年，公羊坦克被用来装备两个荷兰皇家坦克营，并继续服役直至1952年被百夫长坦克取代。公羊坦克底盘被成功改装成“萨克斯顿”自走炮。

ILLUSTRATION 图示说明:

CORRECT METHOD FOR APPLYING DECALS:

正确贴水贴纸的方法:

1. Clean model parts surface with wet cloth.
将需要贴水贴之部位表面擦干净。
2. Cut out the decal parts and dip them in cold water for 15 ~20 seconds.
将所需之贴纸剪下泡在清水里约15至20秒。
3. Place it on correct position of the model kit.
将湿透之贴纸取出置放于正确之位置旁。
4. Slide off the decal from the base paper on to the model kit surface with a cotton stick.
用棉花棒轻推贴纸表面使其从底纸滑出至模型表面之正确位置。
5. When decal get dry then complete.
待其自然干透后即完成。

ICON INSTRUCTION: 图标说明:



Open Hole
钻孔



Remove
切除



Make 2 pics
同样的制作二组



Bend
曲折



Optional
可以选择采用



Apply Decal
贴水贴纸



Instant Glue For Metal
瞬间接着剂,金属用



Fill Hole
把孔填平



Do not cement
不用粘

COLOR SUGGESTION: 涂装指引:

Color 涂料表

Hobby Color

MR. Hobby

Humbrol

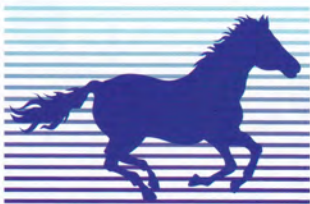
Tamiya

Steel	黑铁色	H-18	C-28	53	/
Clear Blue	透明蓝	H-29	C-50	/	X-23
Clear Red	透明红	H-90	C-47	/	X-27
Tyre black	轮胎黑	H-77	C-137	85	/
Wood Brown	木棕色	H-37	C-43	/	/
Khaki Green G3	卡其绿	H-80	C-54	30	XF-58
khaki brown	卡其棕	H-404	/	/	/

READ BEFORE ASSEMBLING: 组装必读:

- Carefully Study instruction before assembling. 组装前请阅读清楚制作指引。
- Keep plastic model glue and tools away from children. 胶水,油漆及工具勿让小孩接触。
- Do not use cement or paint near open flame or sparks. 胶水及油漆勿接触火种。
- Do not work in closed room. 勿在密封地方制作模型。

Printed in China



BRONCO

Bronco Models

Copyright © 2019

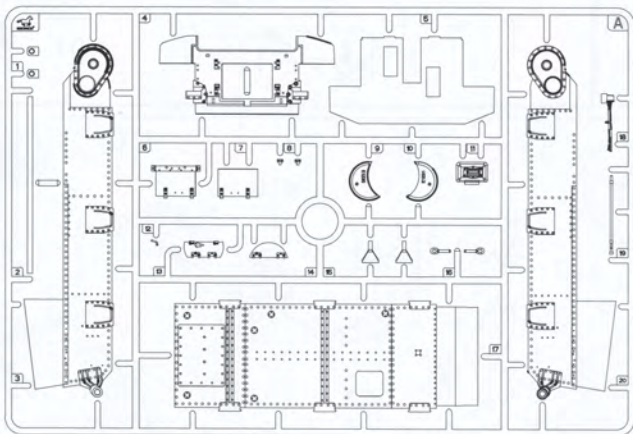
Made in China

中国制造

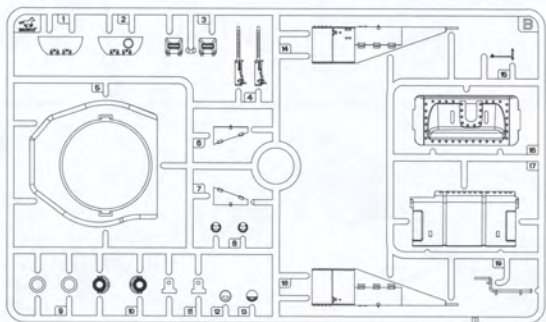
No nose parts
不要部件



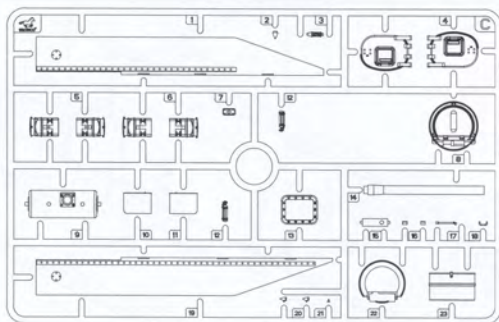
Ⓐ × 1



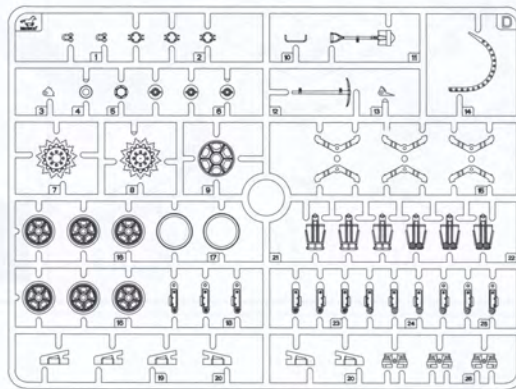
Ⓑ × 1



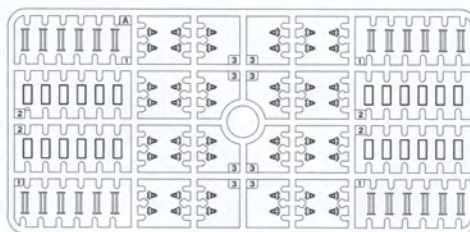
Ⓒ × 1



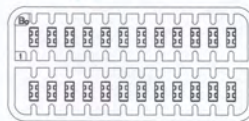
Ⓓ × 2



Ⓐ × 8



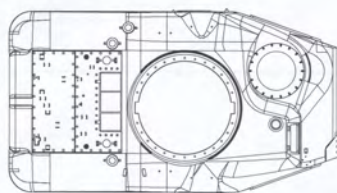
Ⓑc × 8



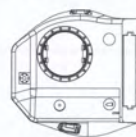
Ⓒ × 1



Ⓔ × 1



Ⓕ × 1



Metal cable
金属缆绳



DECAL X1



Ⓖ × 1



CB35215

ILLUSTRATION 图示说明：

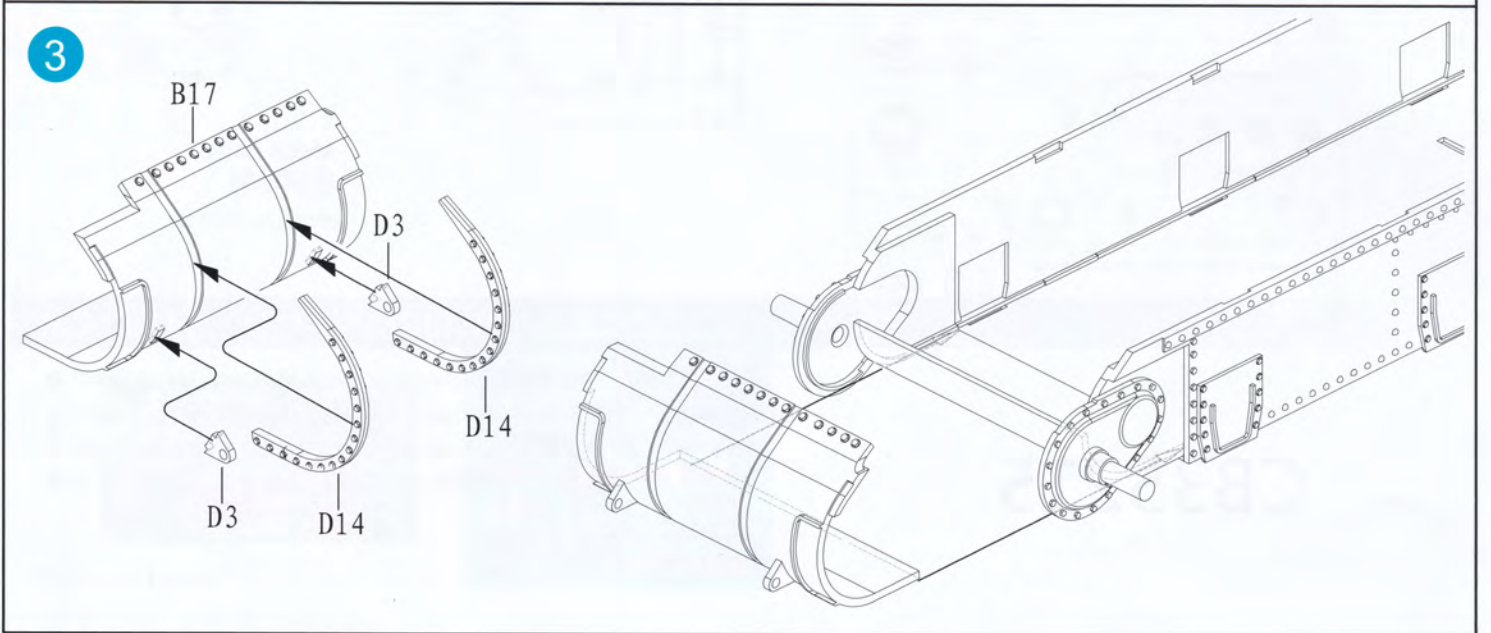
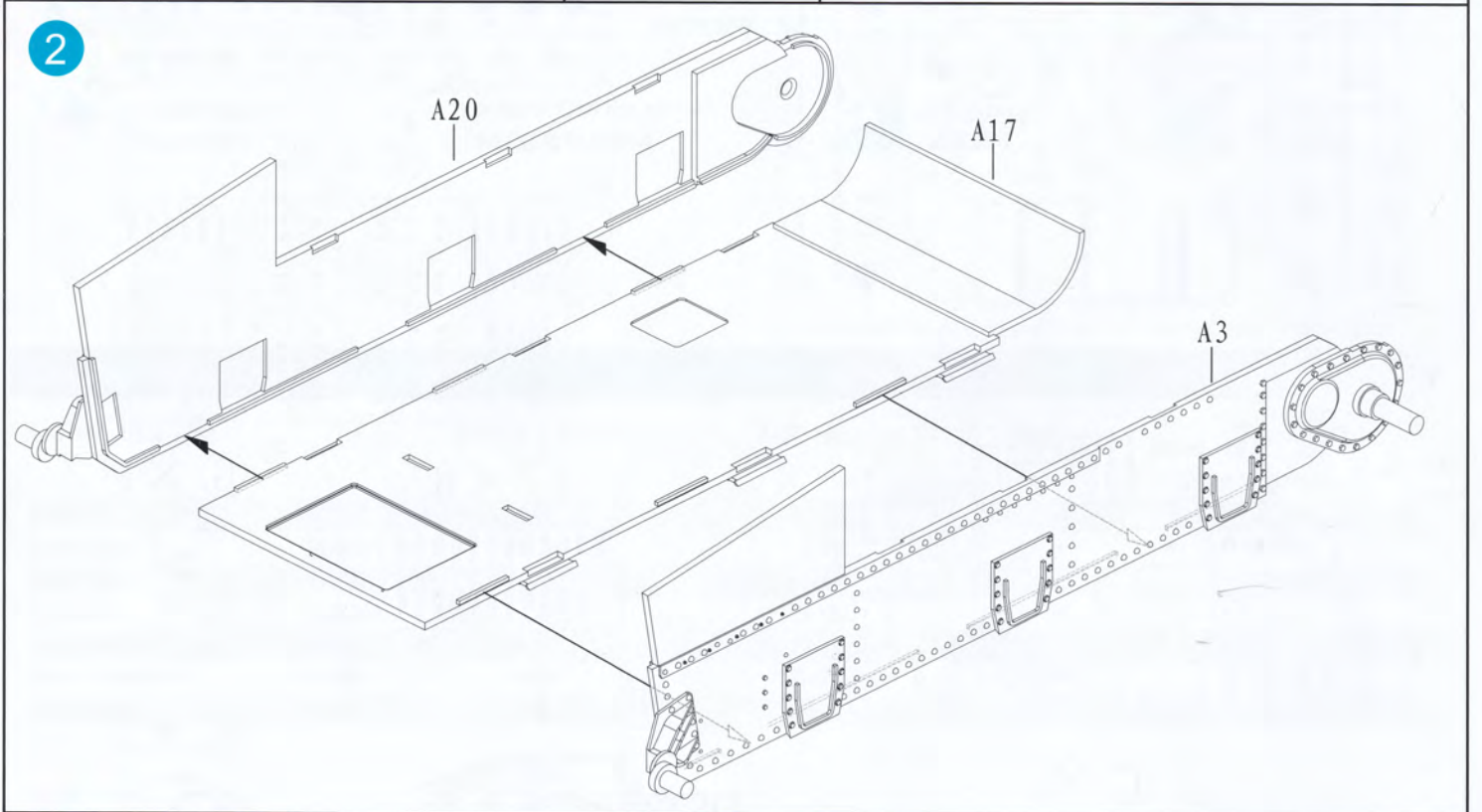
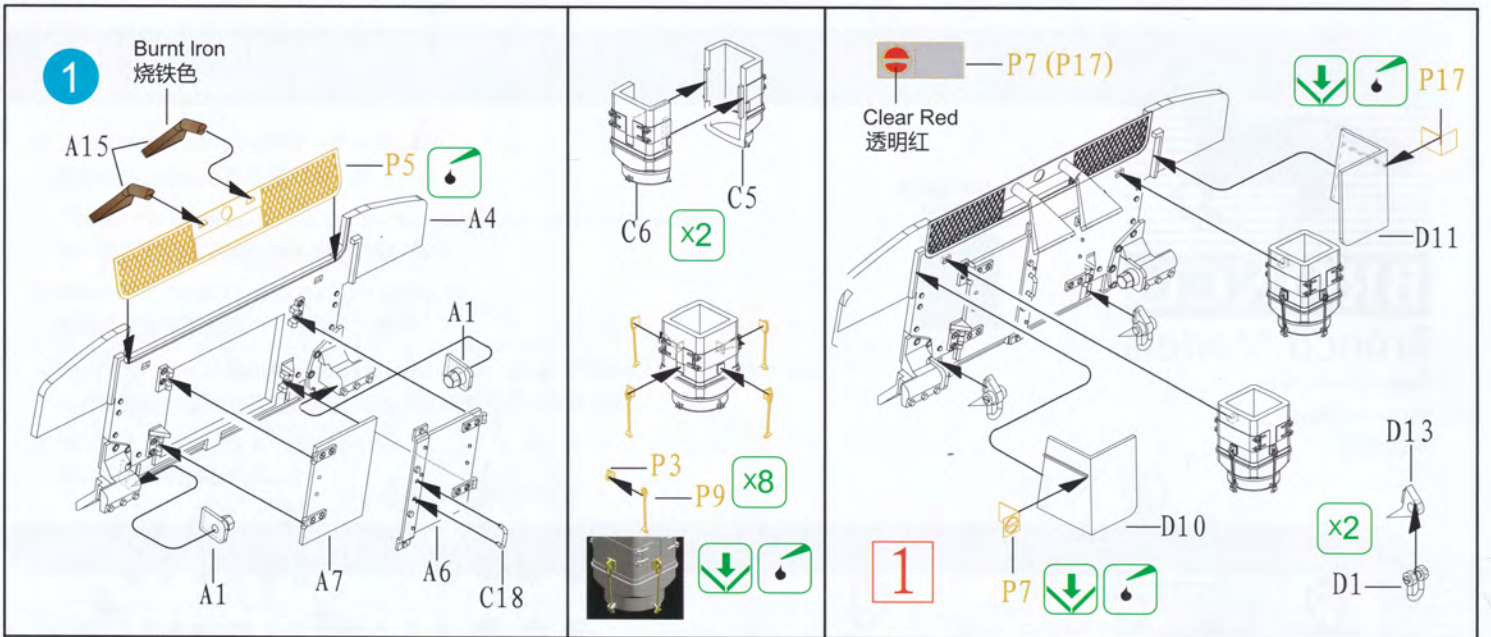
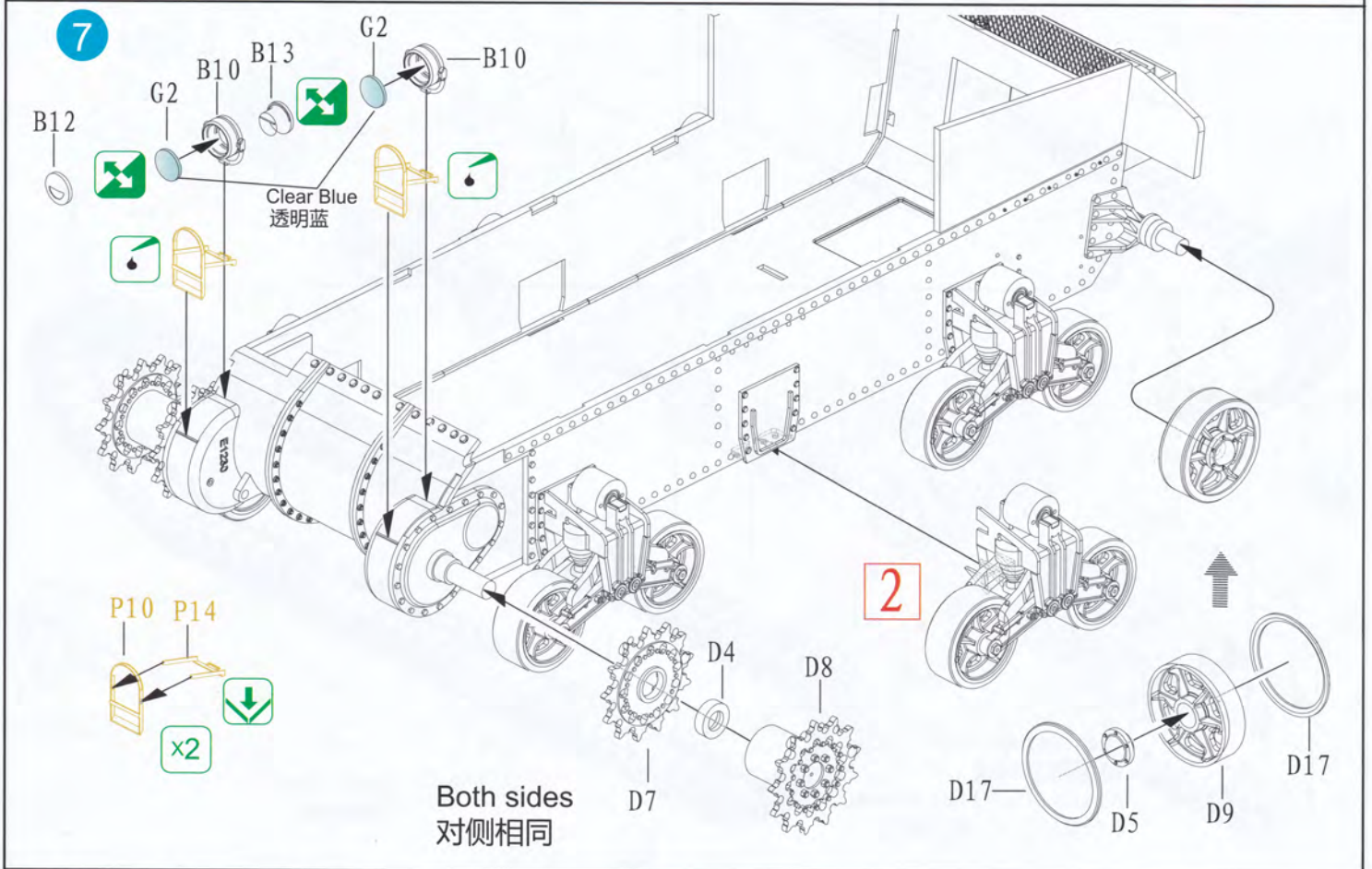
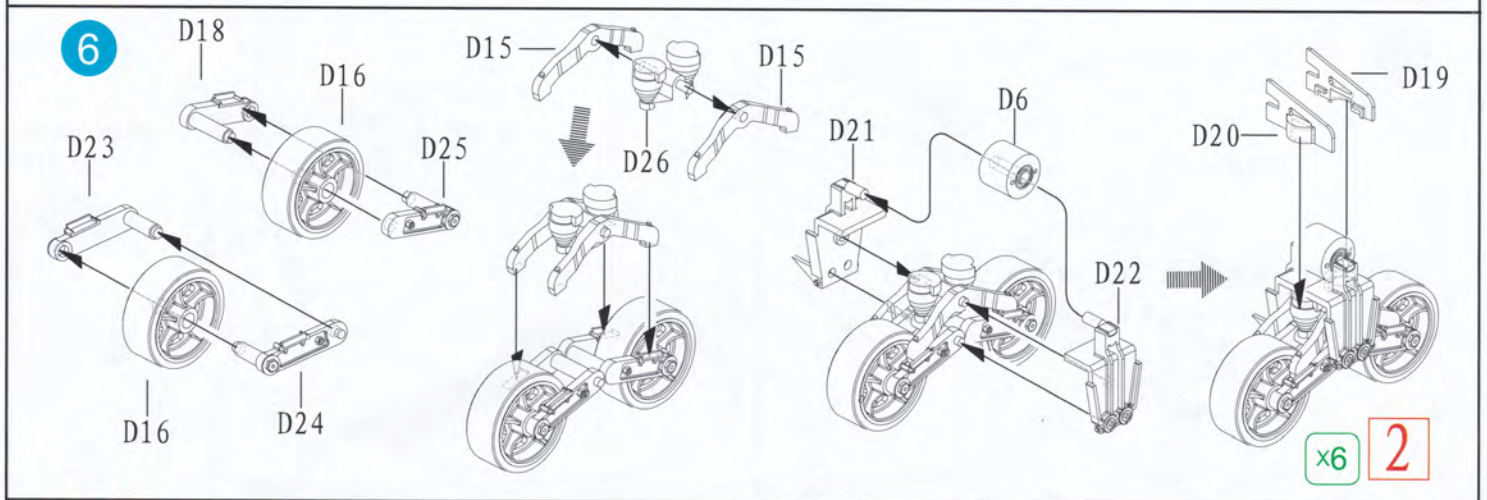
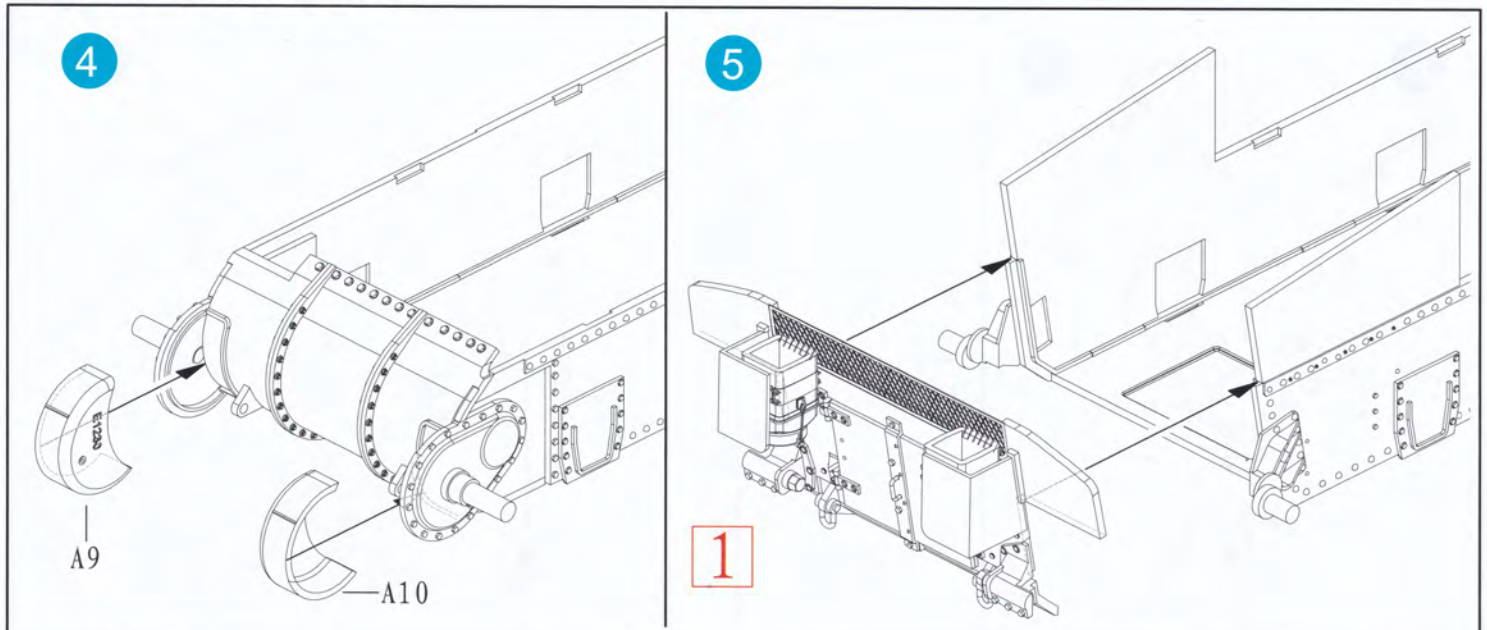
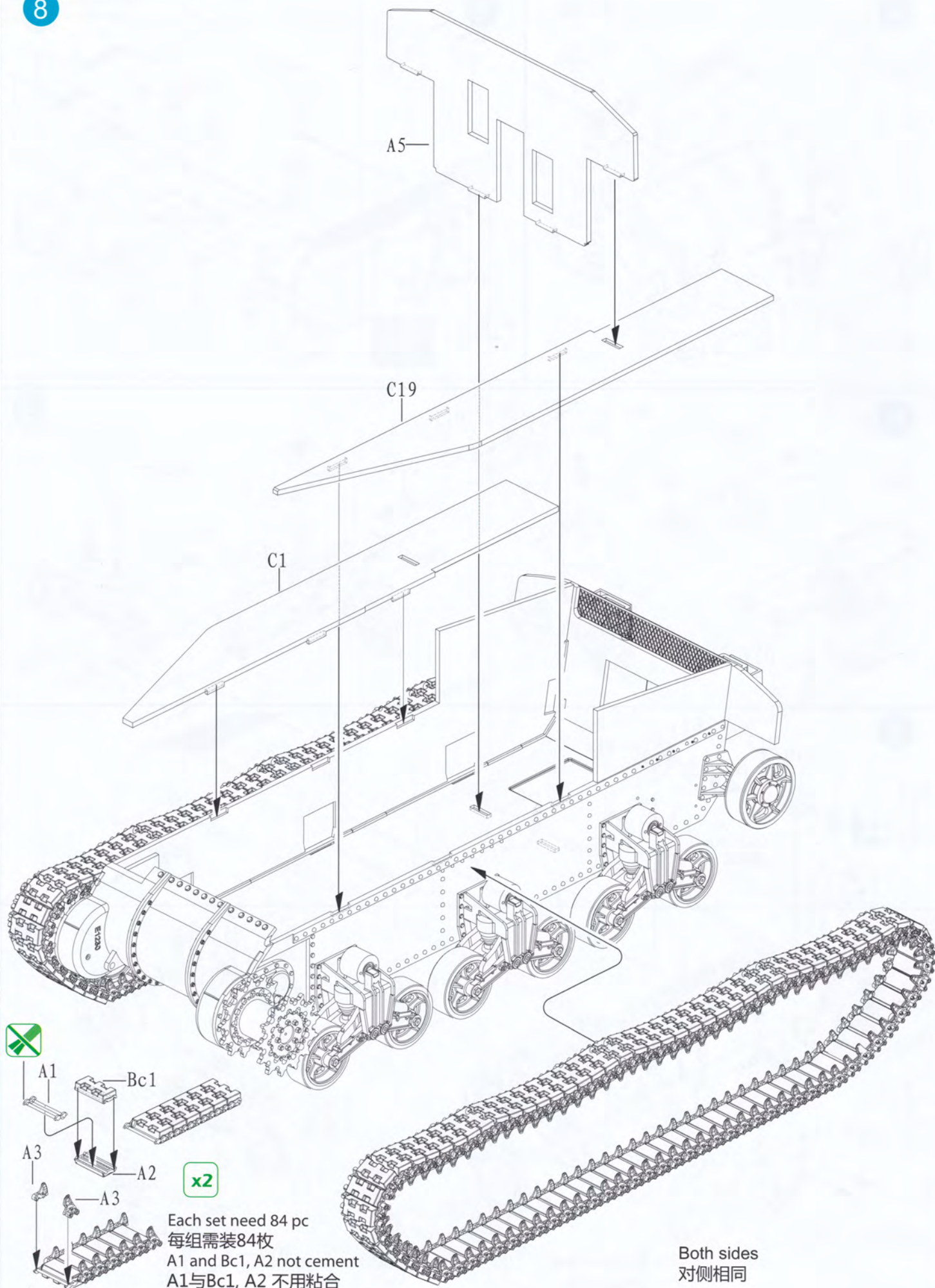


ILLUSTRATION 图示说明：

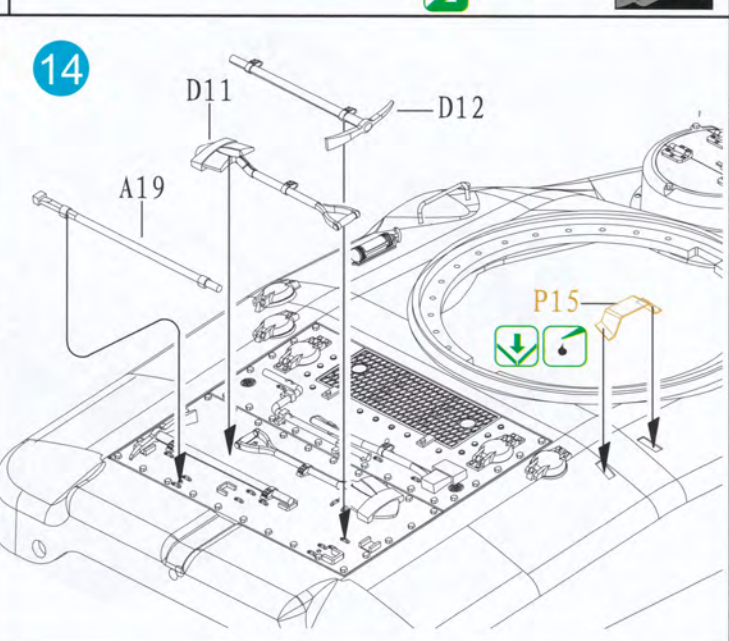
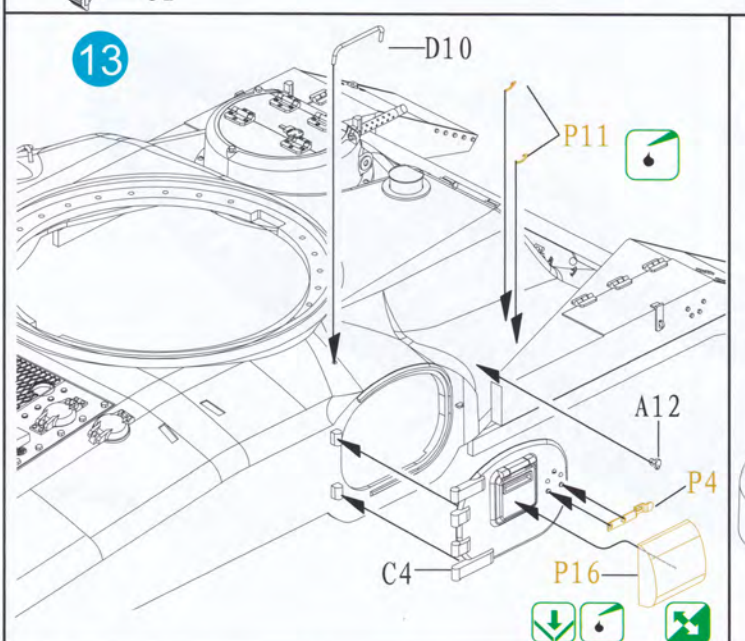
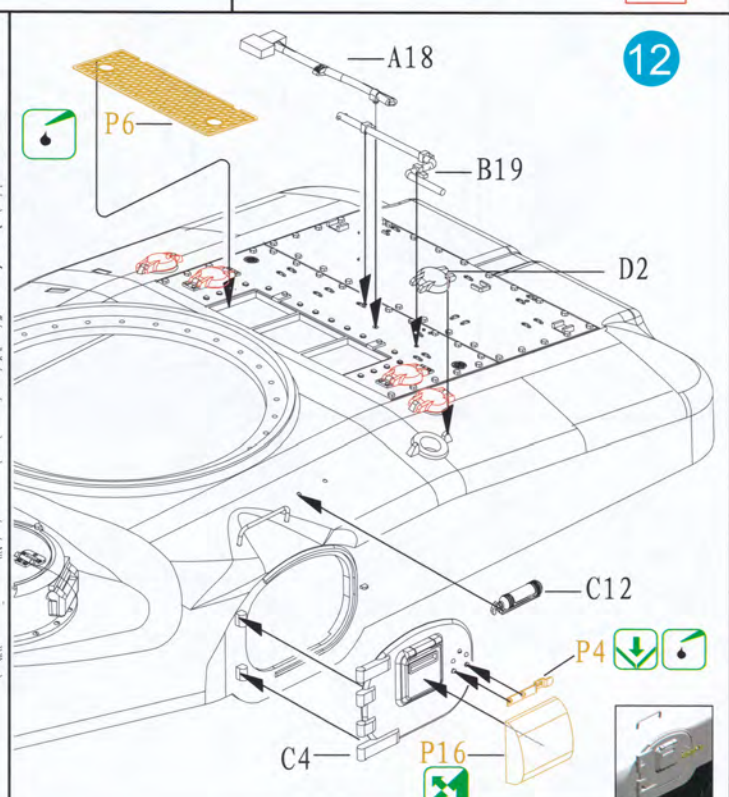
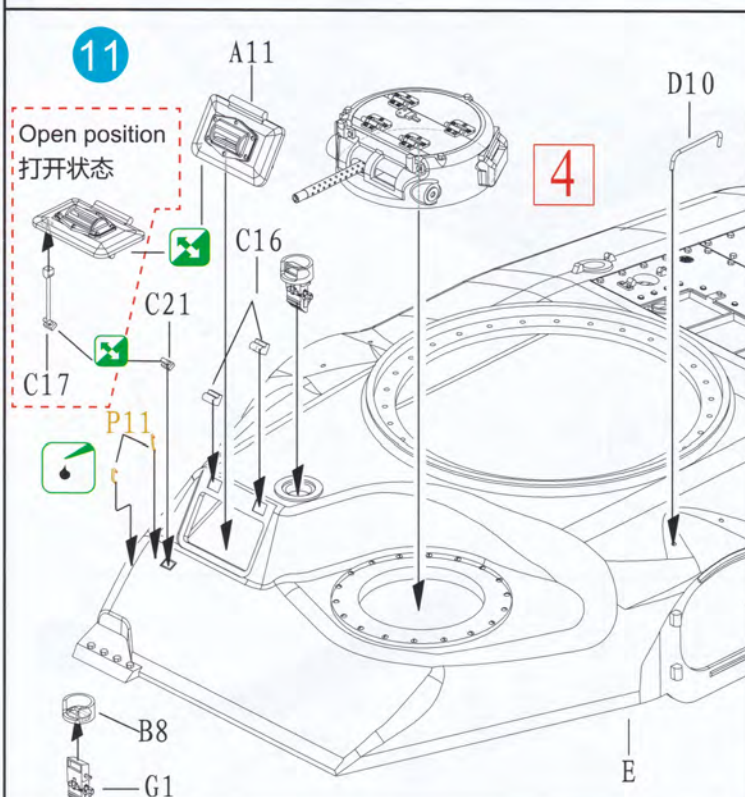
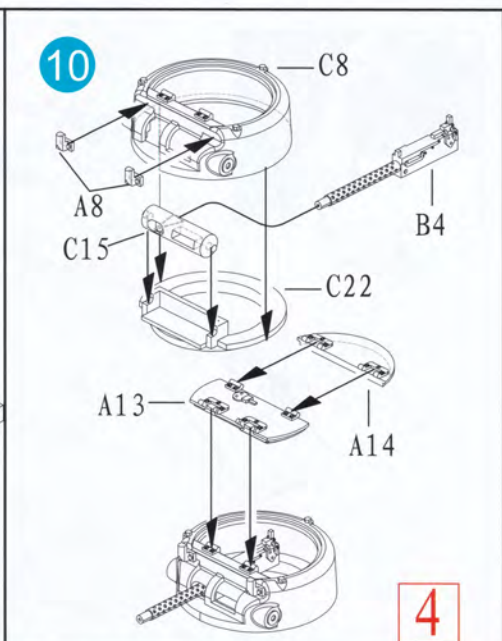
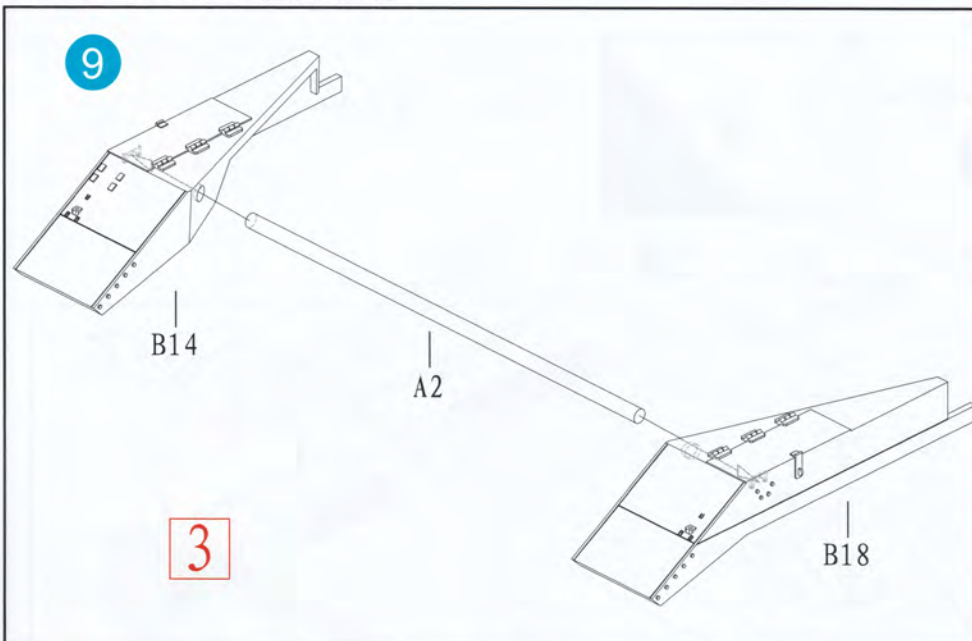


8

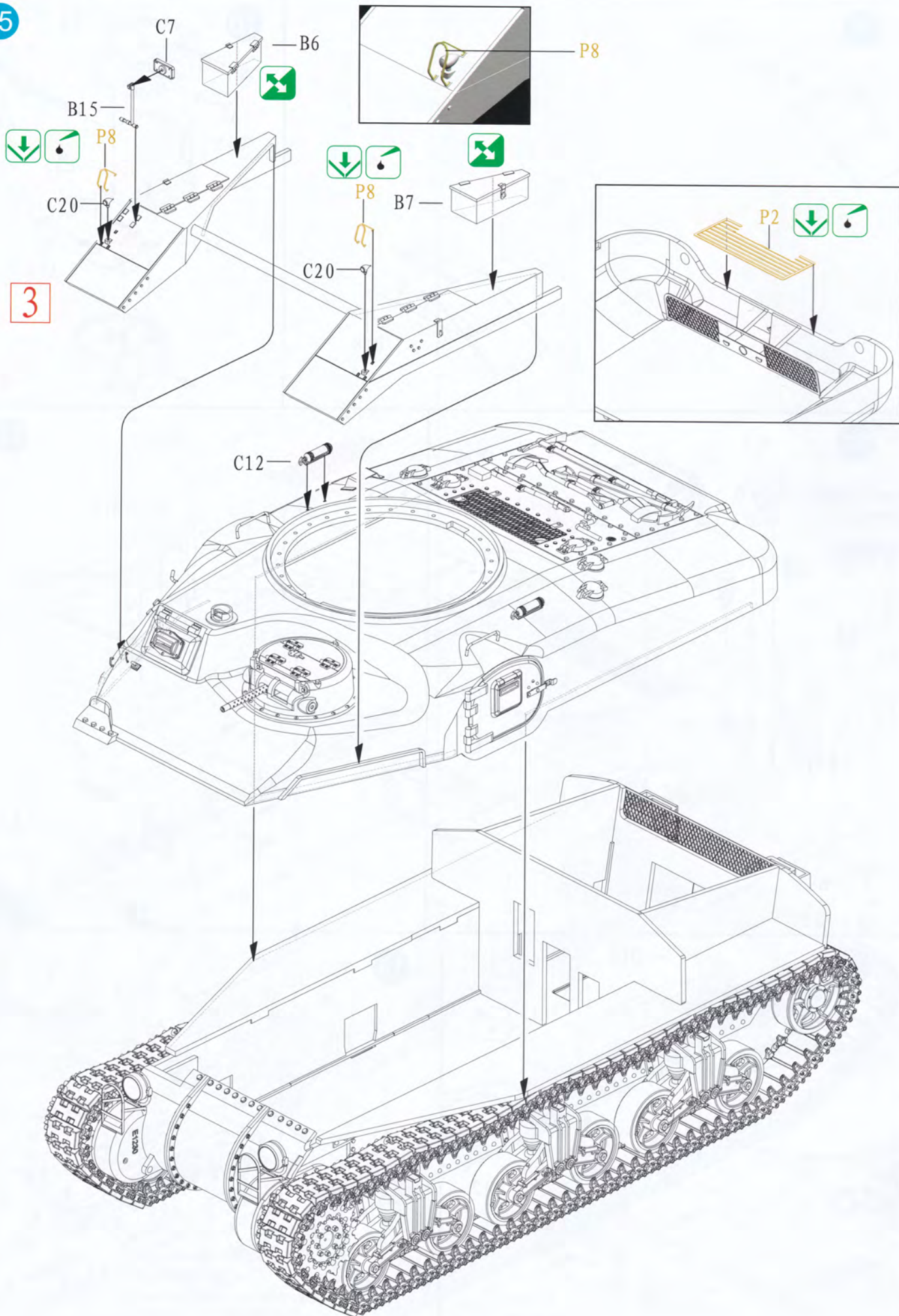


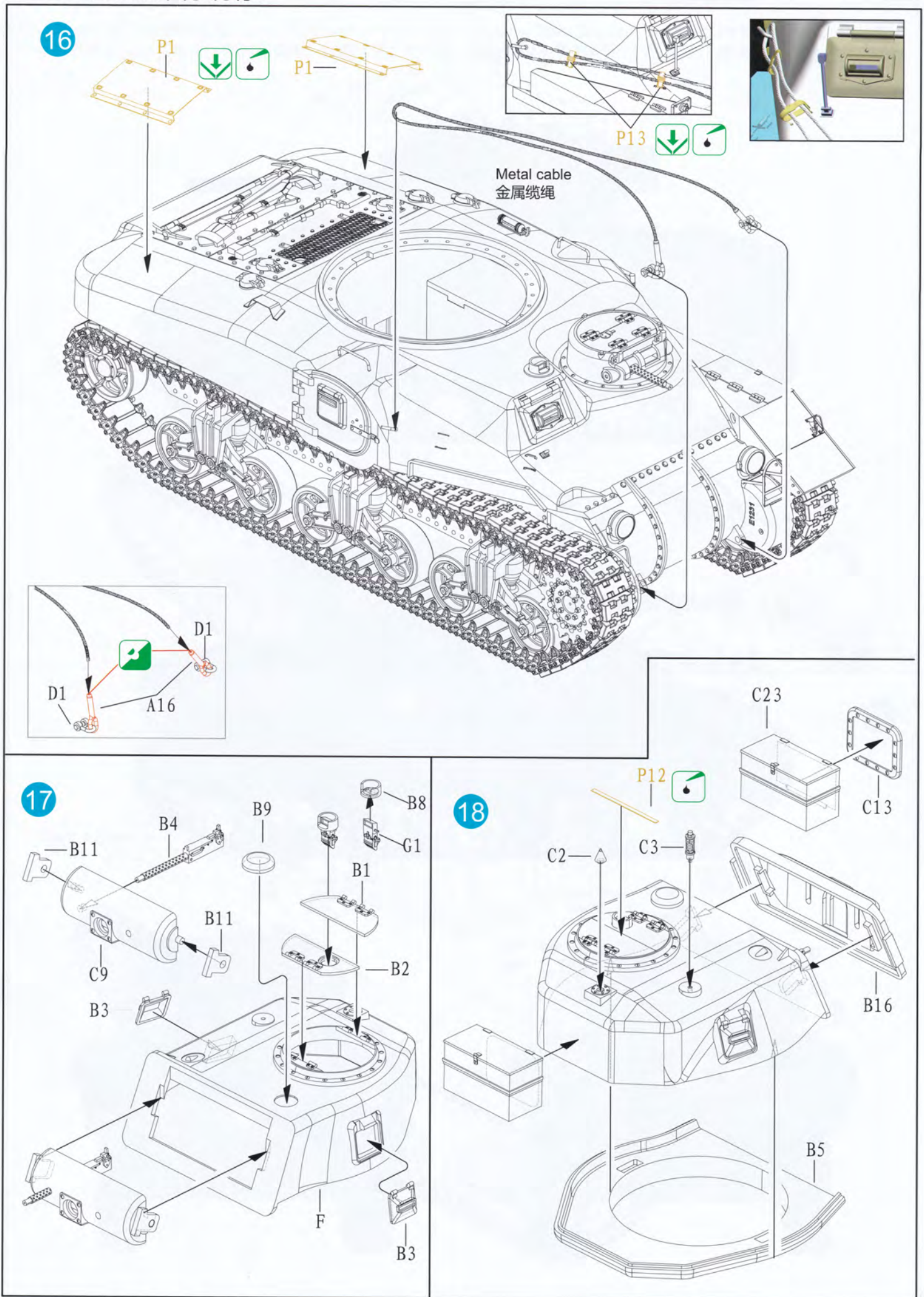
Each set need 84 pc
 每组需装84枚
 A1 and Bc1, A2 not cement
 A1与Bc1, A2 不用粘合

Both sides
 对侧相同

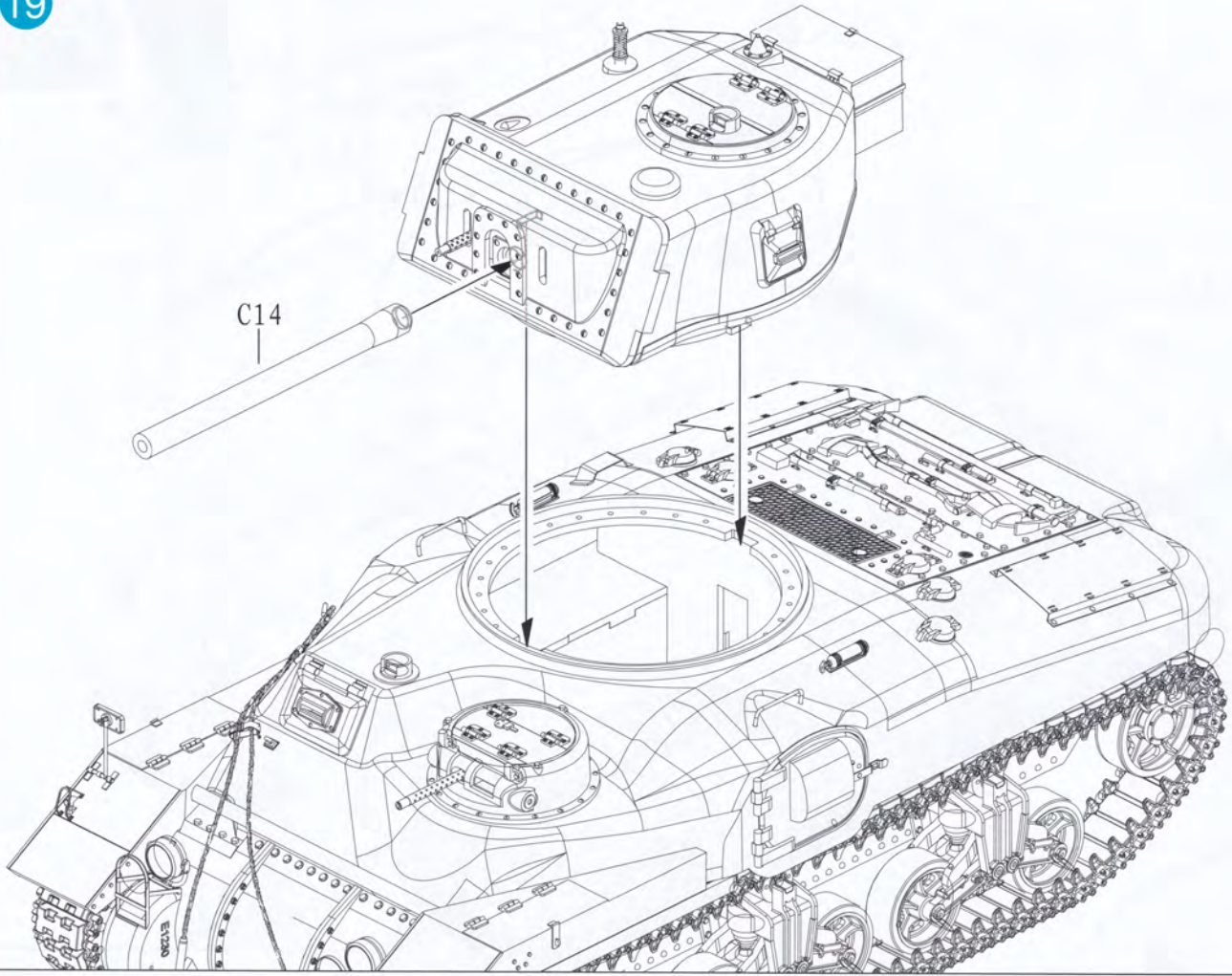


15

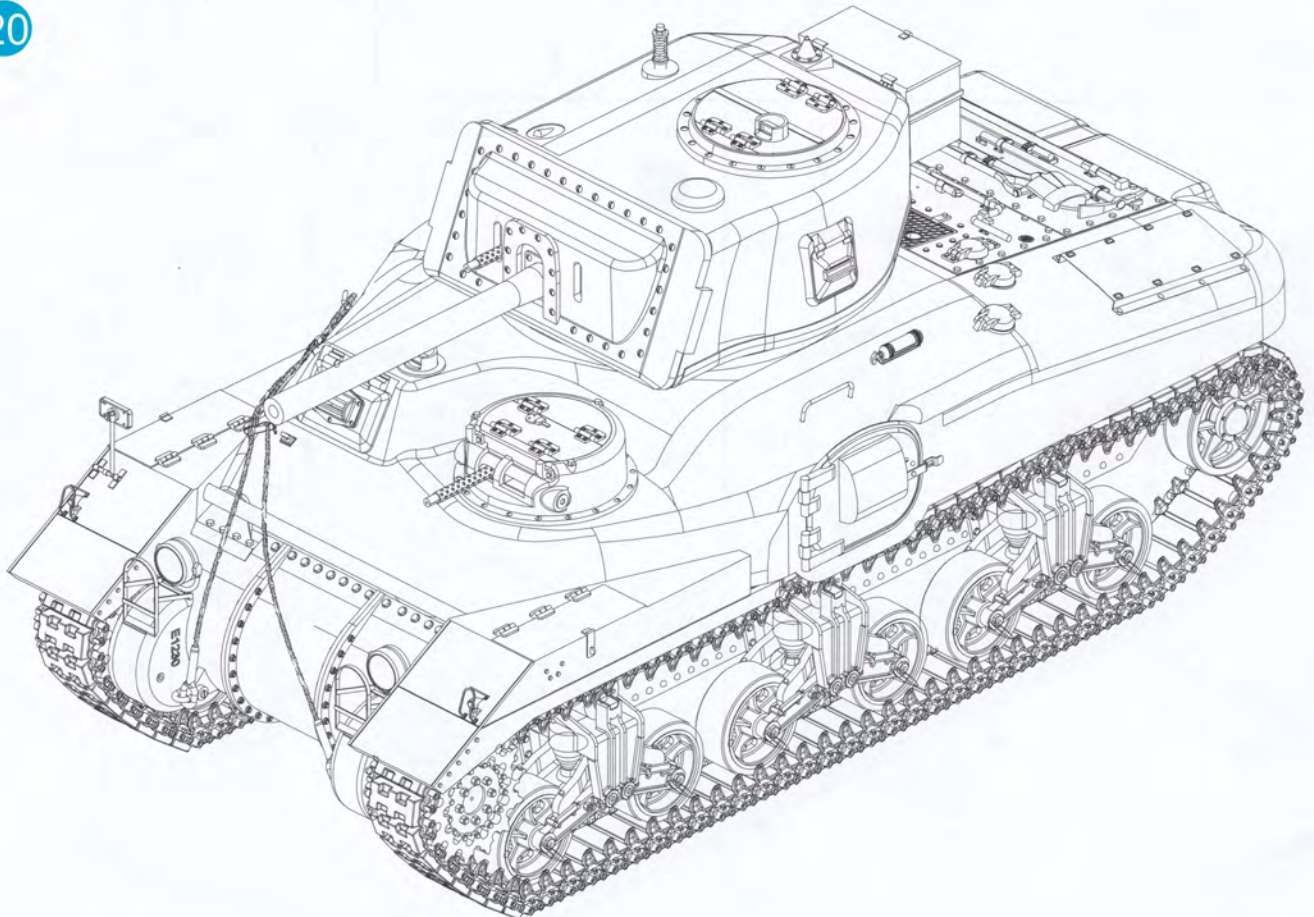




19

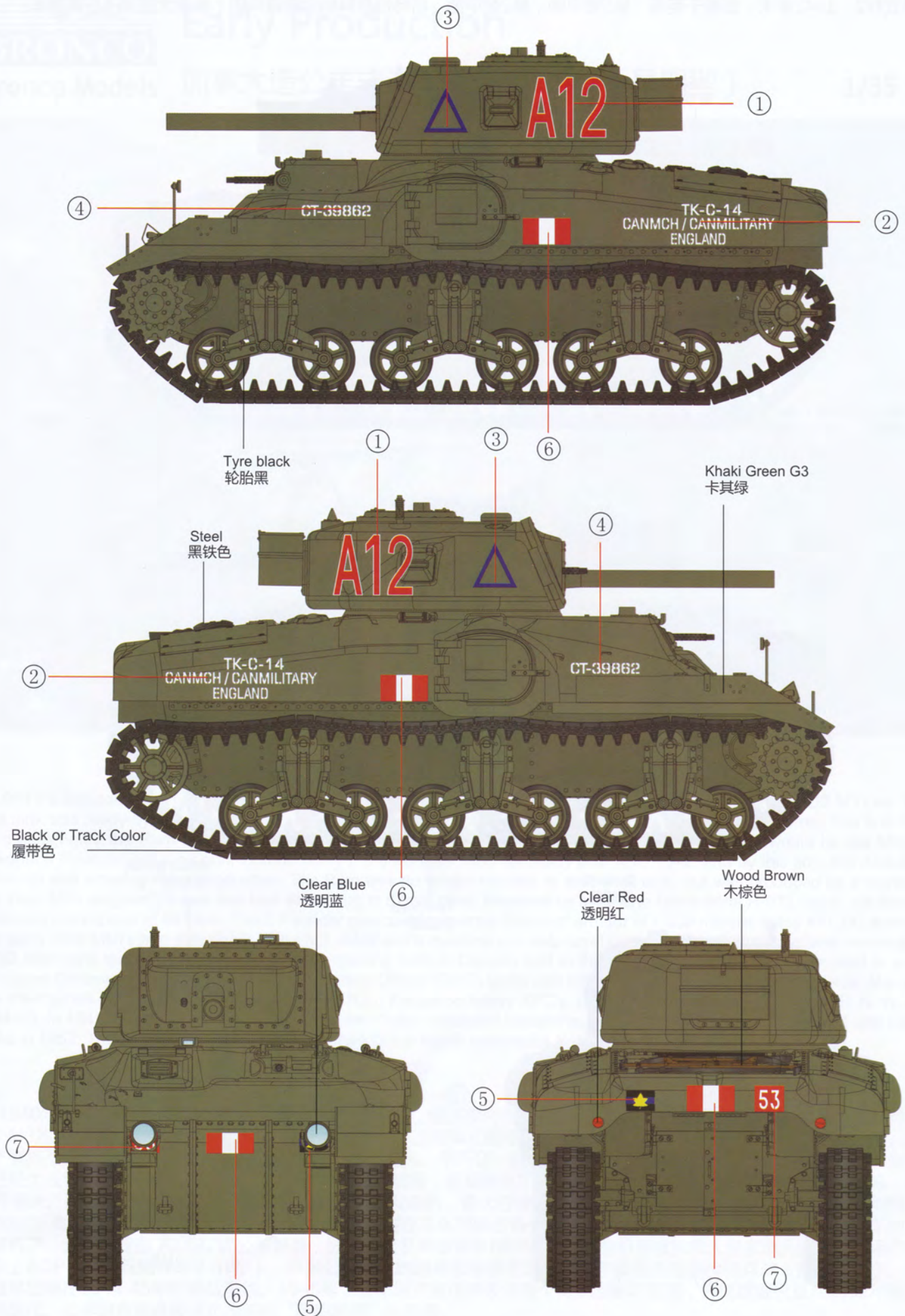


20



DECAL & COLOUR GUIDE 水贴及涂色指示：

Option 1: "A" Squadron, Grey and Simcoe Foresters, 2nd Canadian Tank Brigade, Great Britain in mid-1942.
 涂装式样1：1942年中，部属在英国，加拿大第二坦克旅，格雷及闪高突击兵团，“A”中队所属战车。



DECAL&COLOUR GUIDE 水贴及涂色指示：

Option 2: 2nd Armoured Regiment, Lord Strathcona's Horse (Royal Canadians), 5th Armoured Division, Great Britain in late 1942.

涂装式样2：1942年末，部署于英国，第5装甲师，第2装甲团，斯特拉思科纳勋爵骑兵团（加拿大皇家）所属战车。

