

1/72 SCALE MODEL CONSTRUCTION KIT

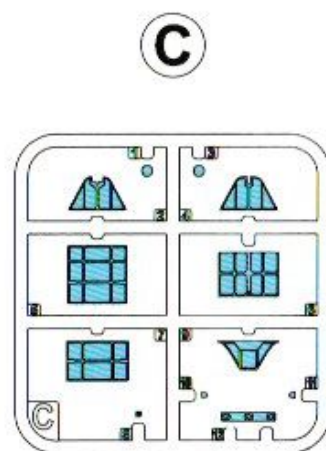
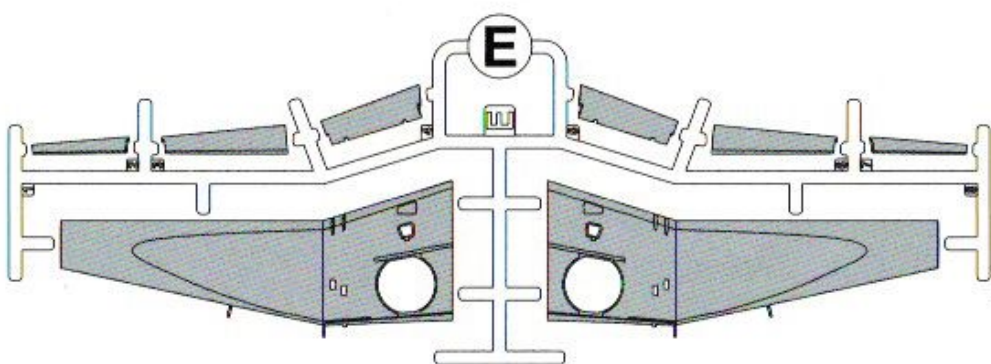
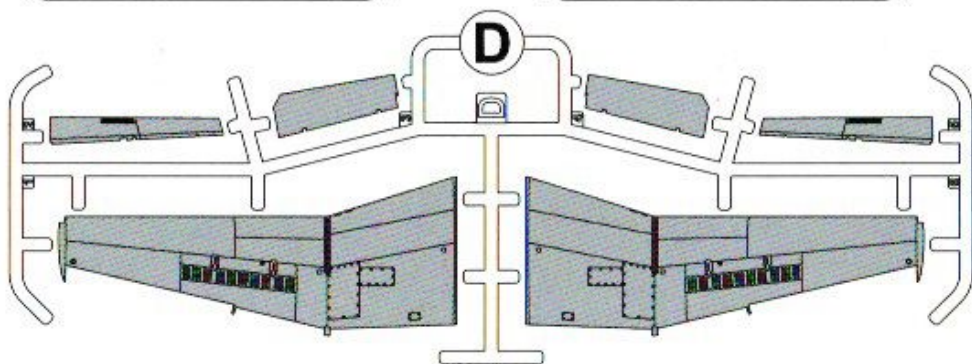
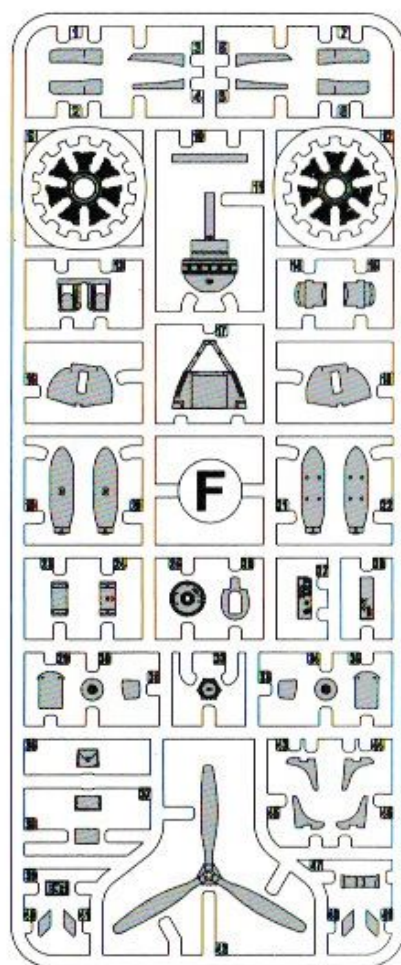
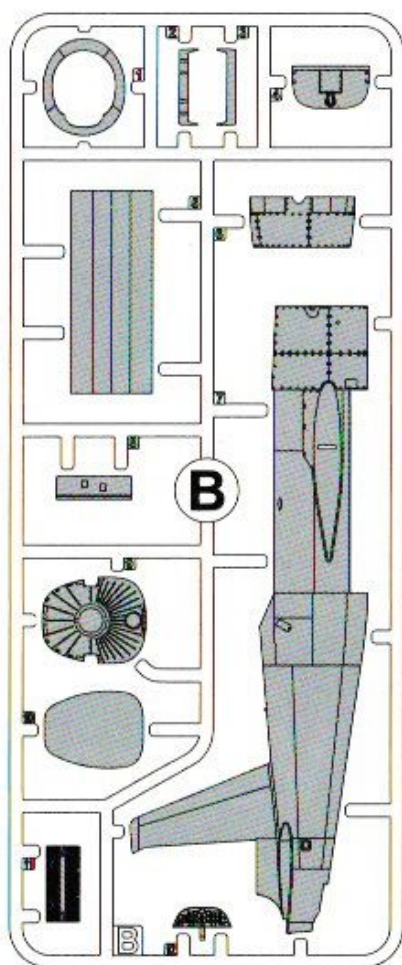
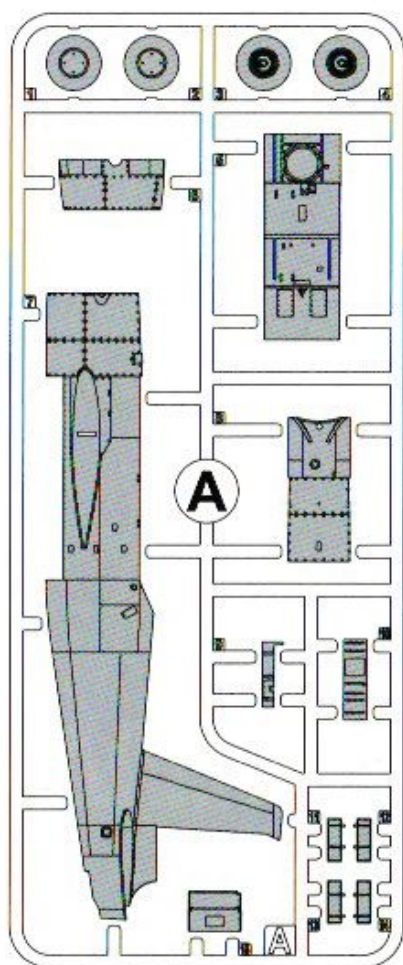


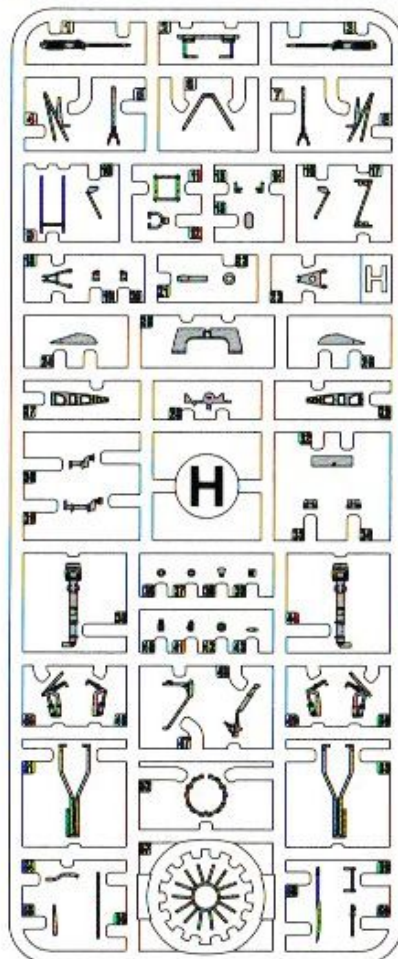
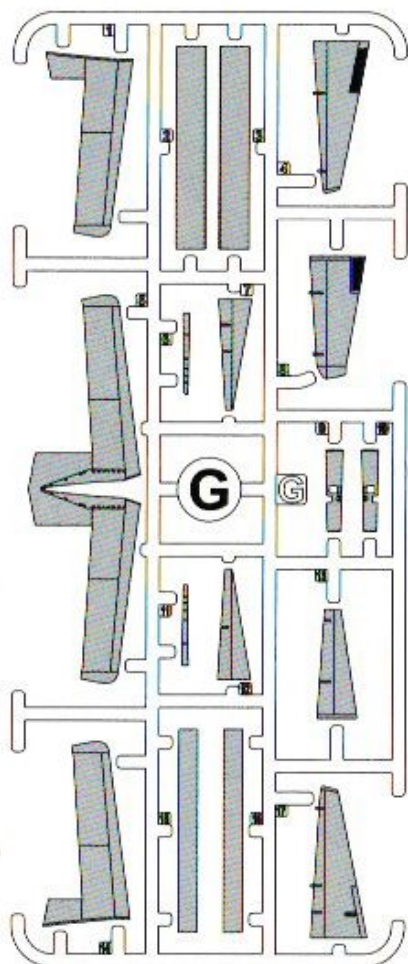
Vultee Vengeance Mk.I/IA

DW 72038

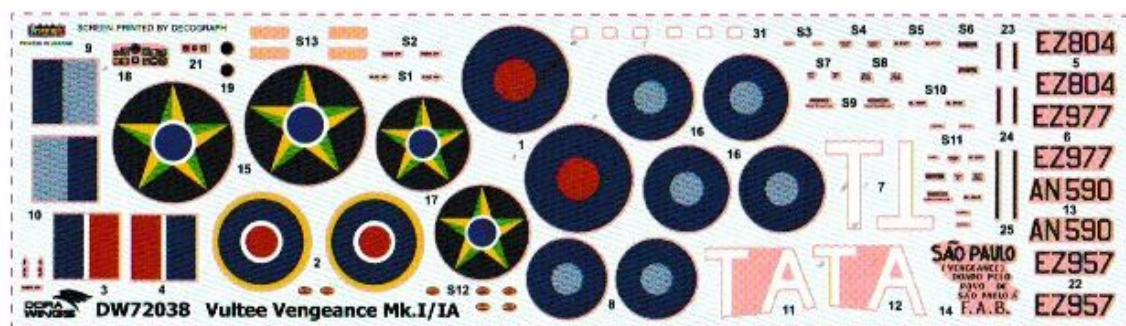
This model kit was developed with support and direct participation of Steve Long. Additionally Dora Wings would like to thank the Director of Camden Museum of Aviation for his support and assistance with this project.

PARTS OF THE MODEL

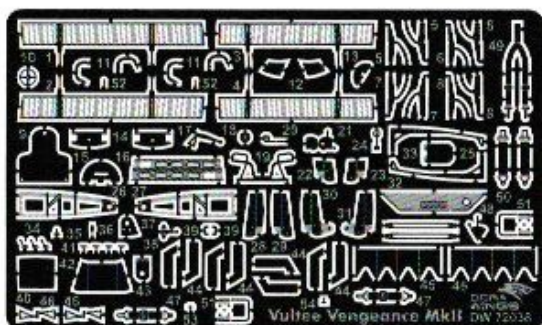




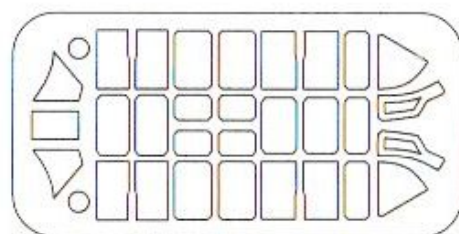
Decal



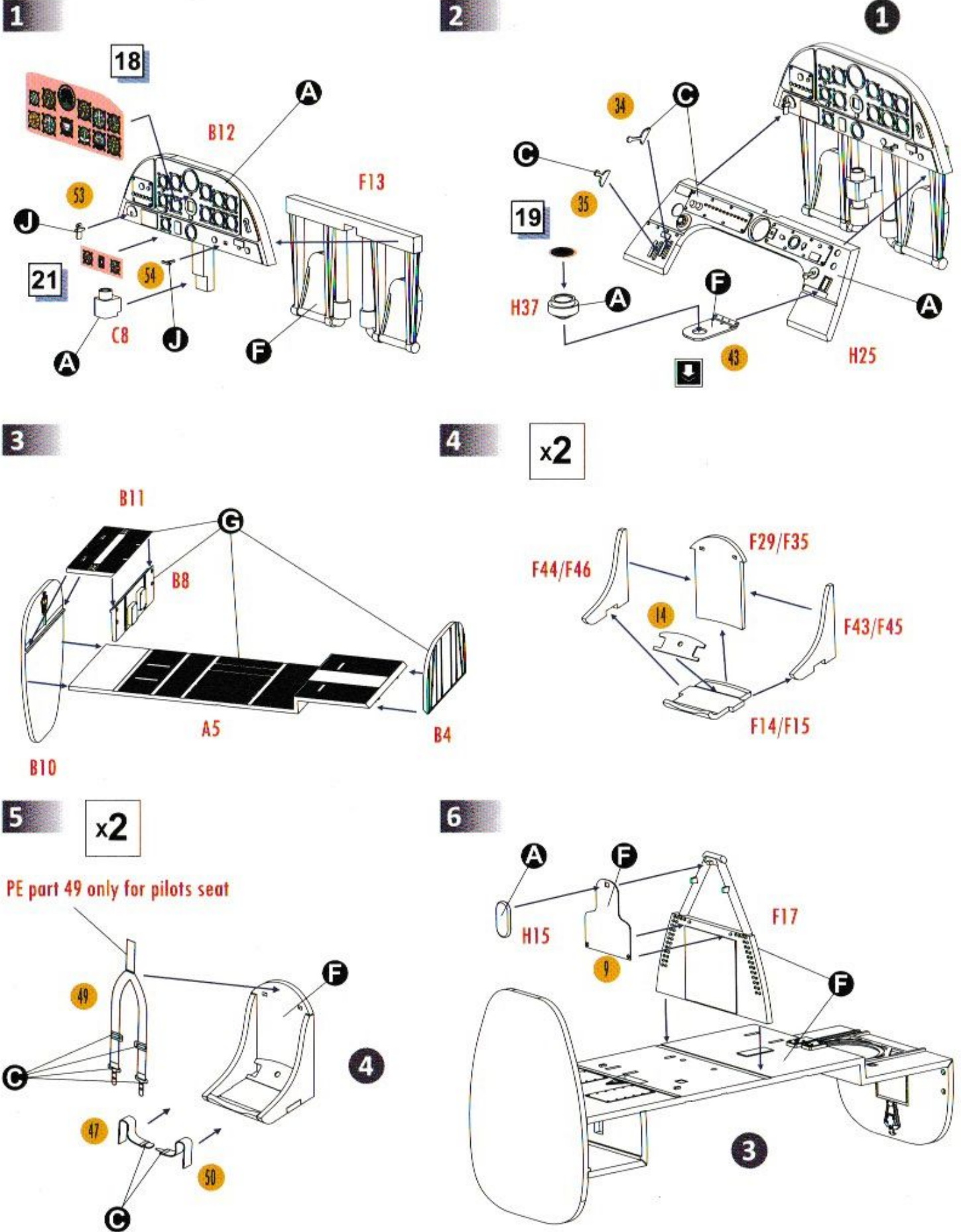
Pe



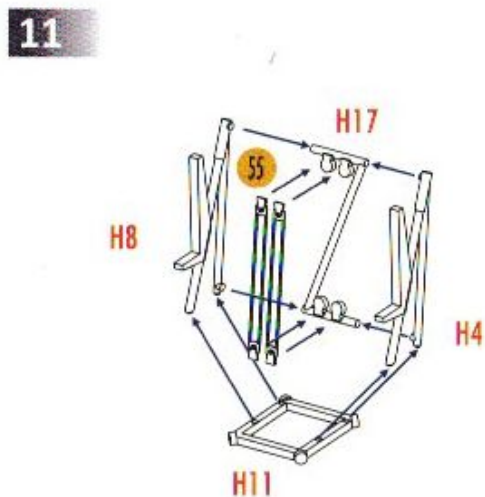
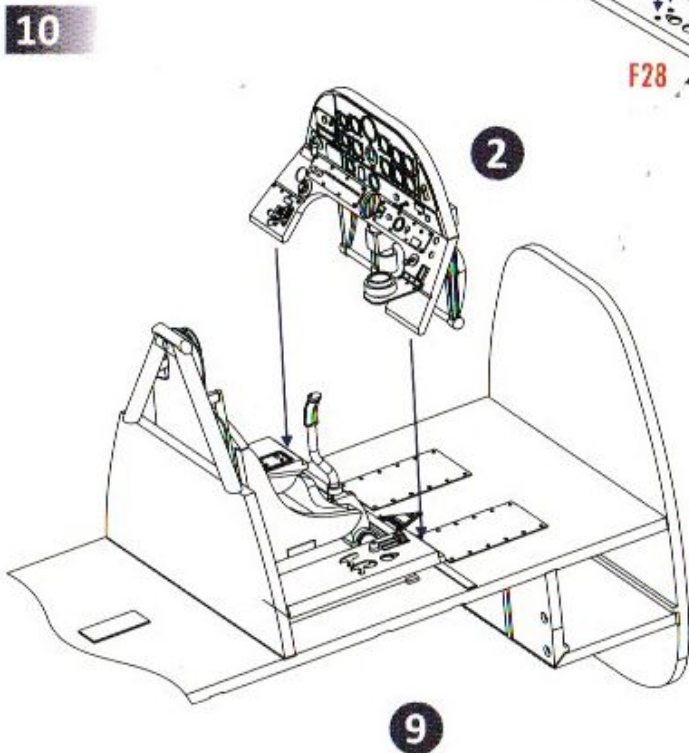
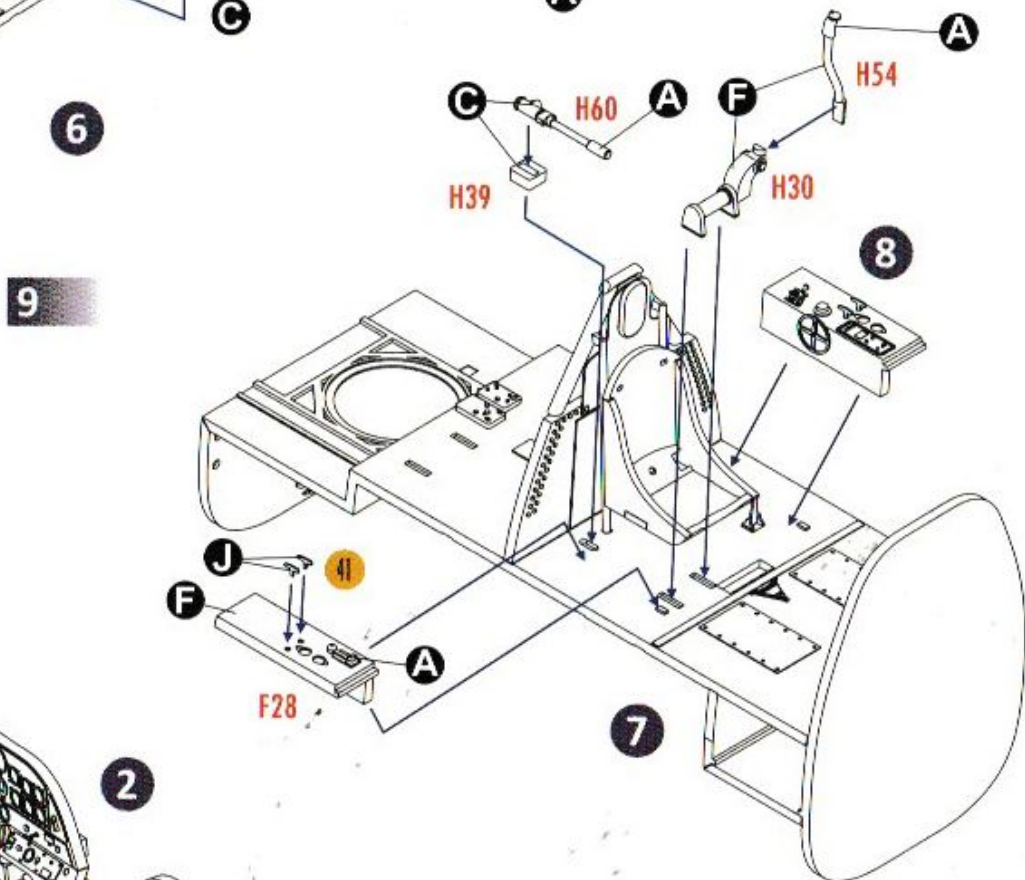
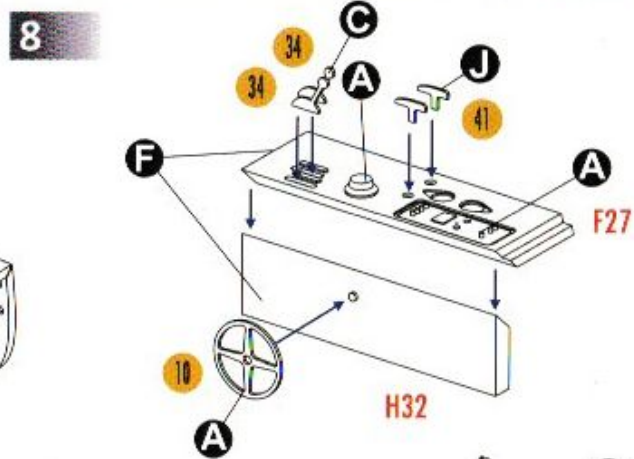
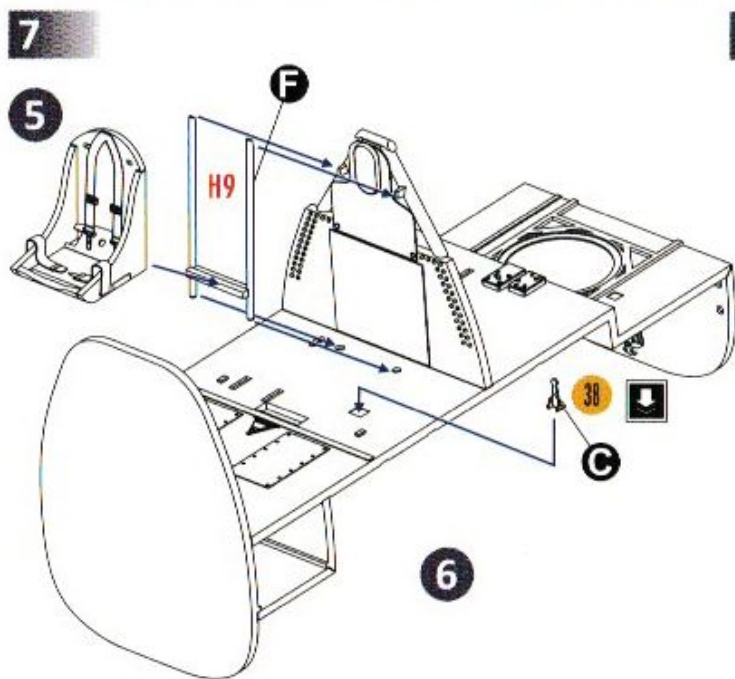
Mask



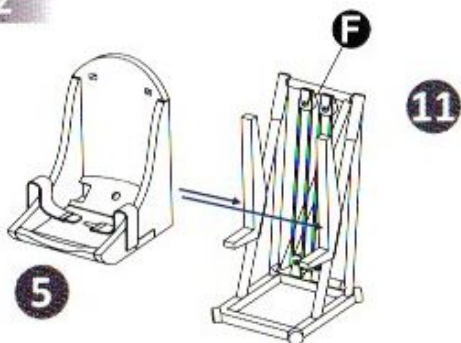
ASSEMBLY INSTRUCTION



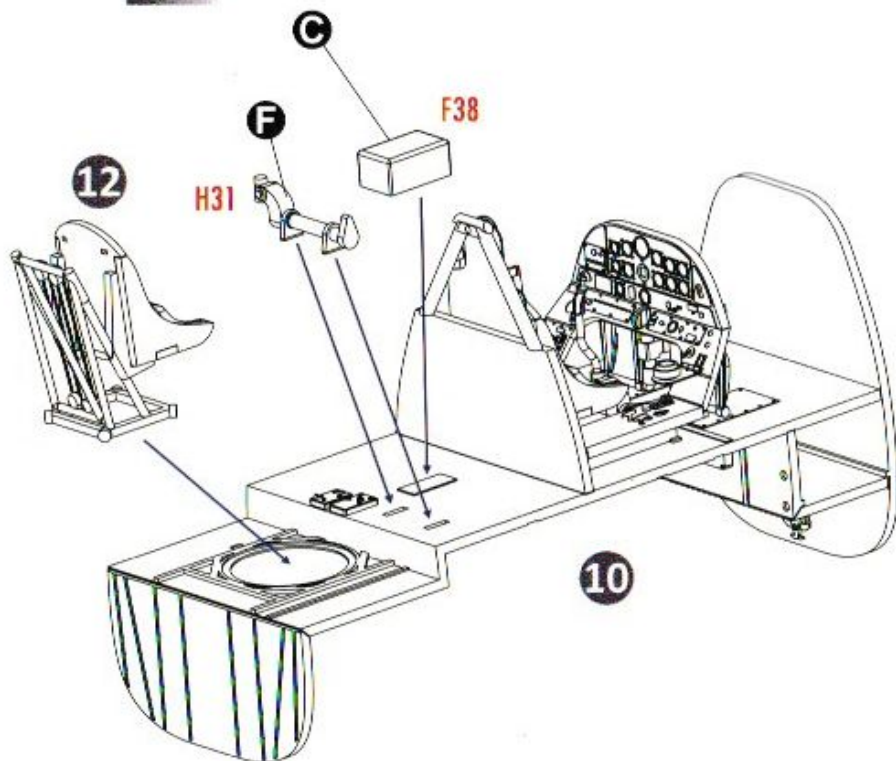
PE part 49 only for pilots seat



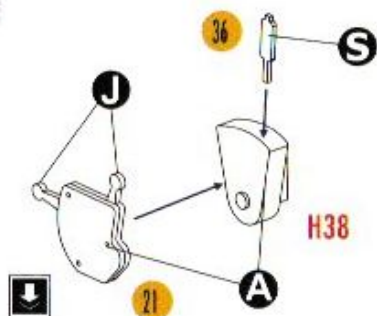
12



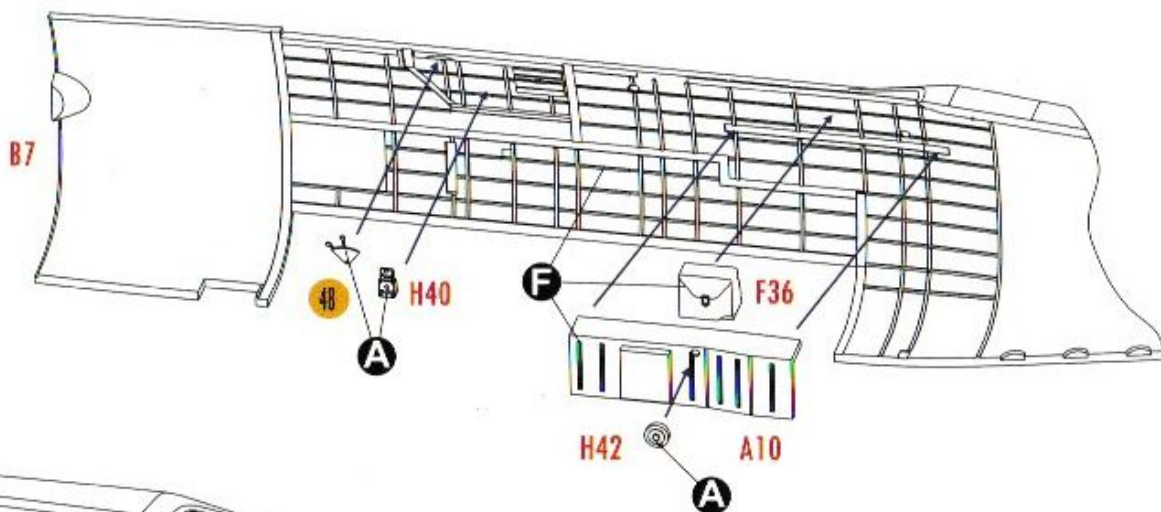
13



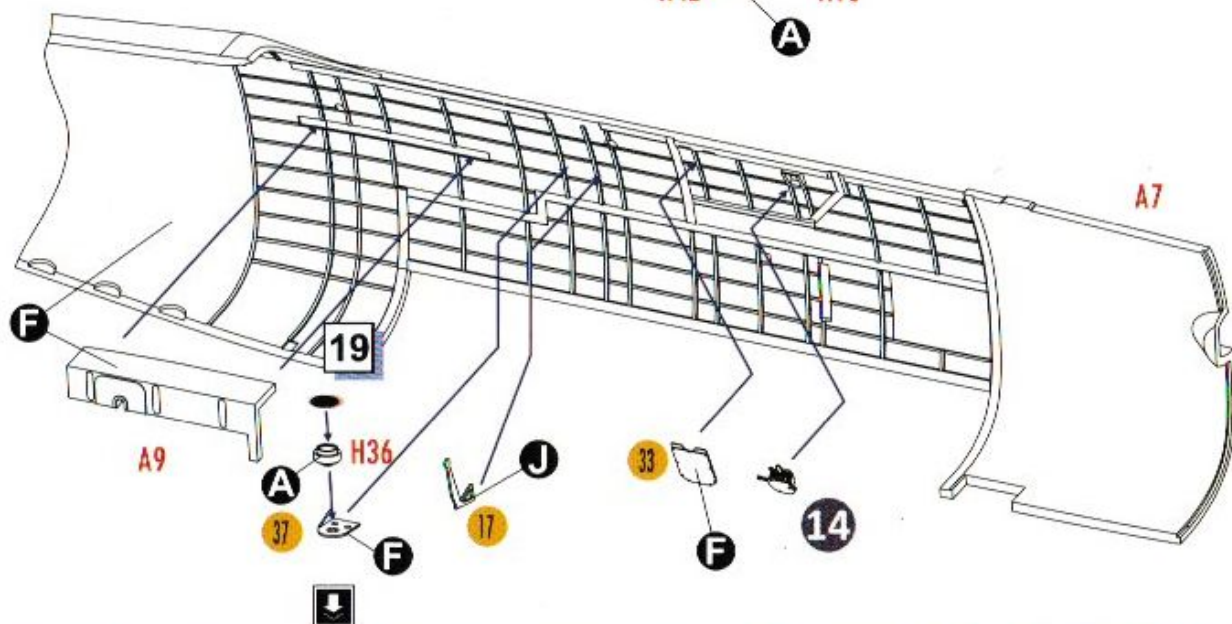
14



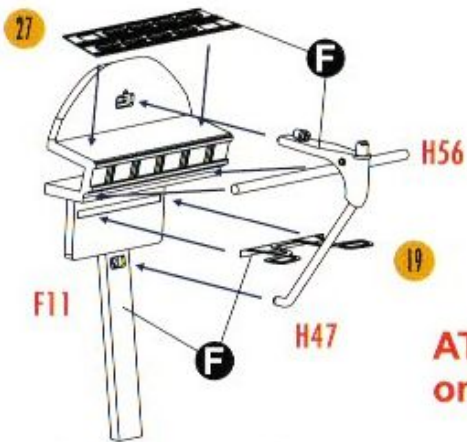
15



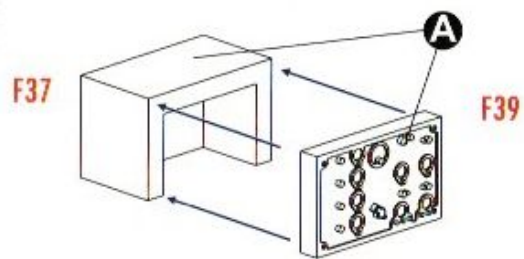
16



17



18

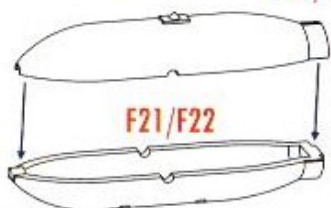


ATTENTION! Steps 19-27, 48 only for version with opened bomb doors

19

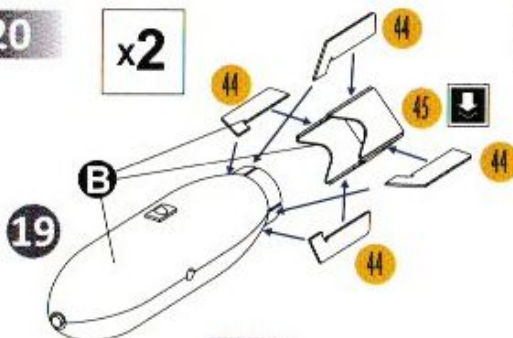
x2

F19/F20



20

x2

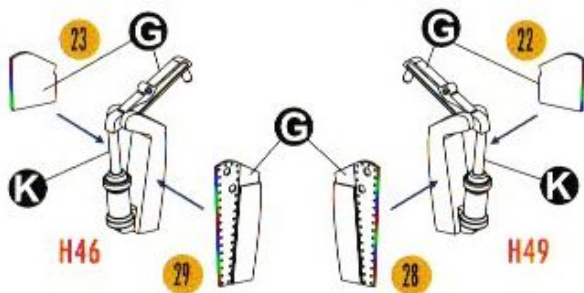


21

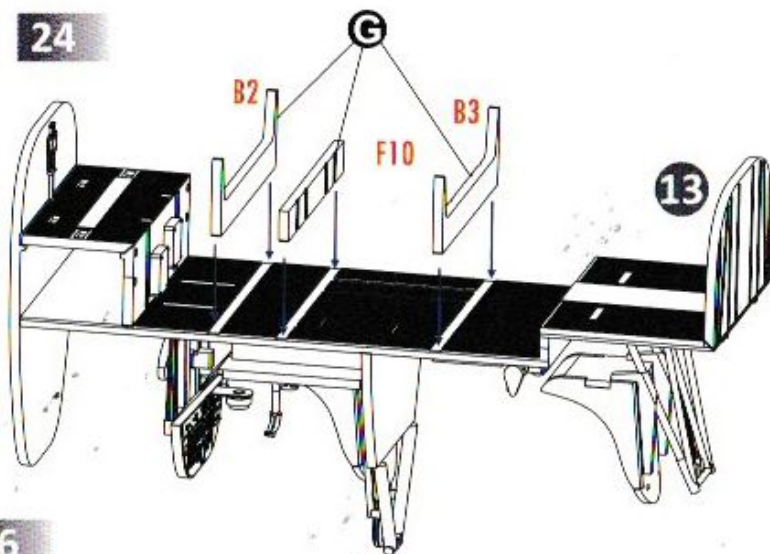


22

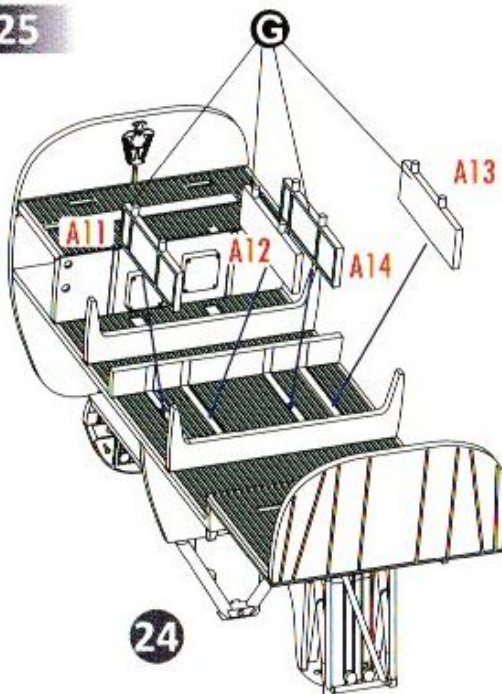
23



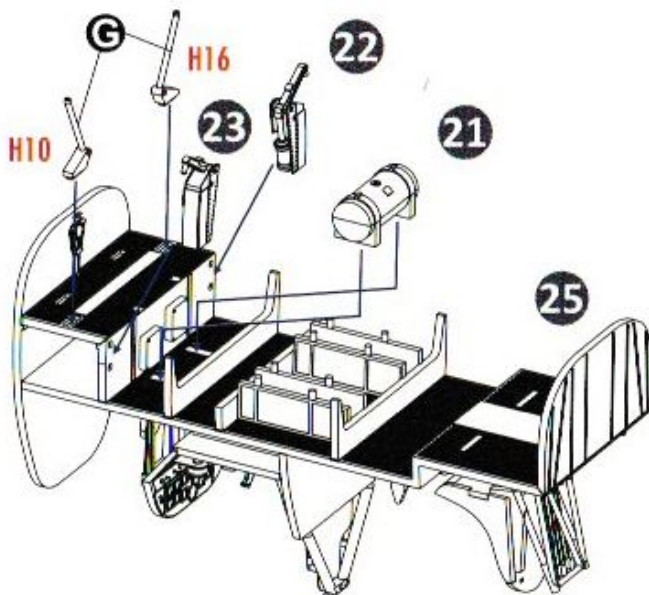
24



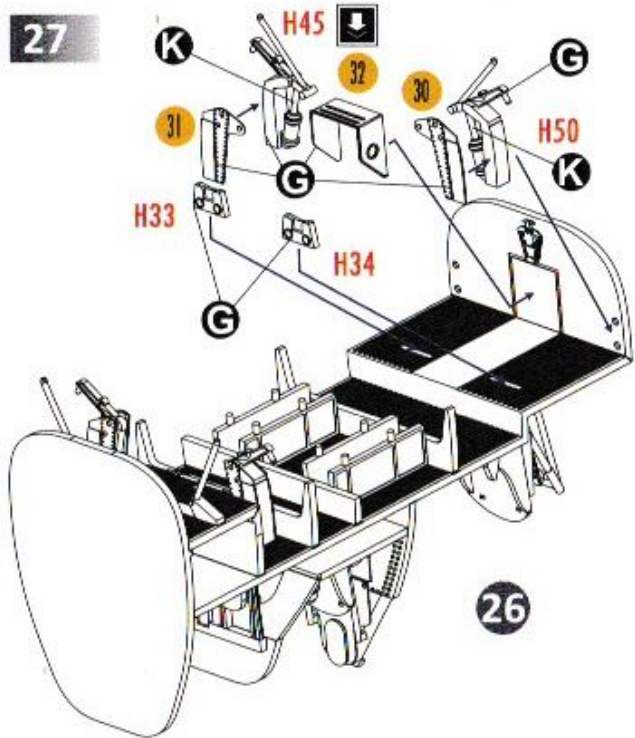
25



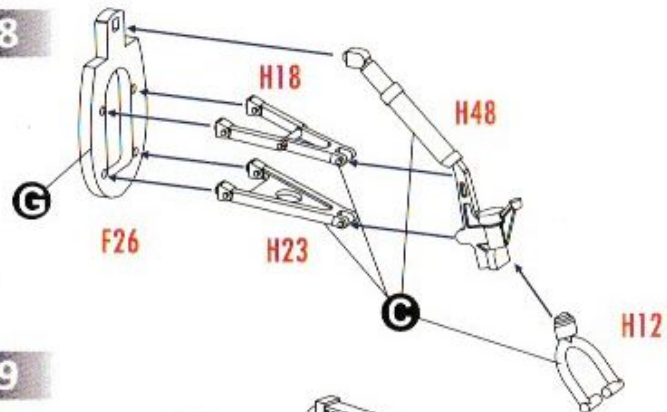
26



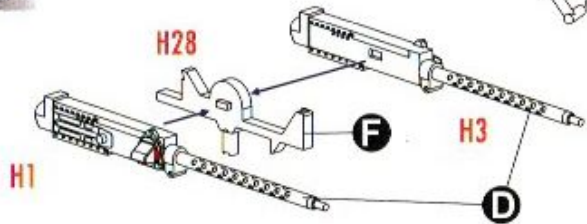
27



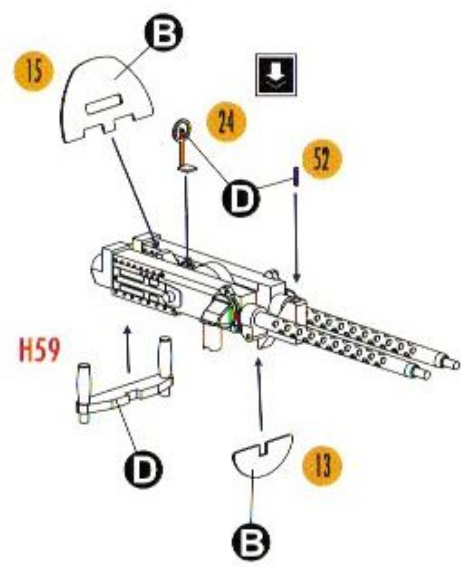
28



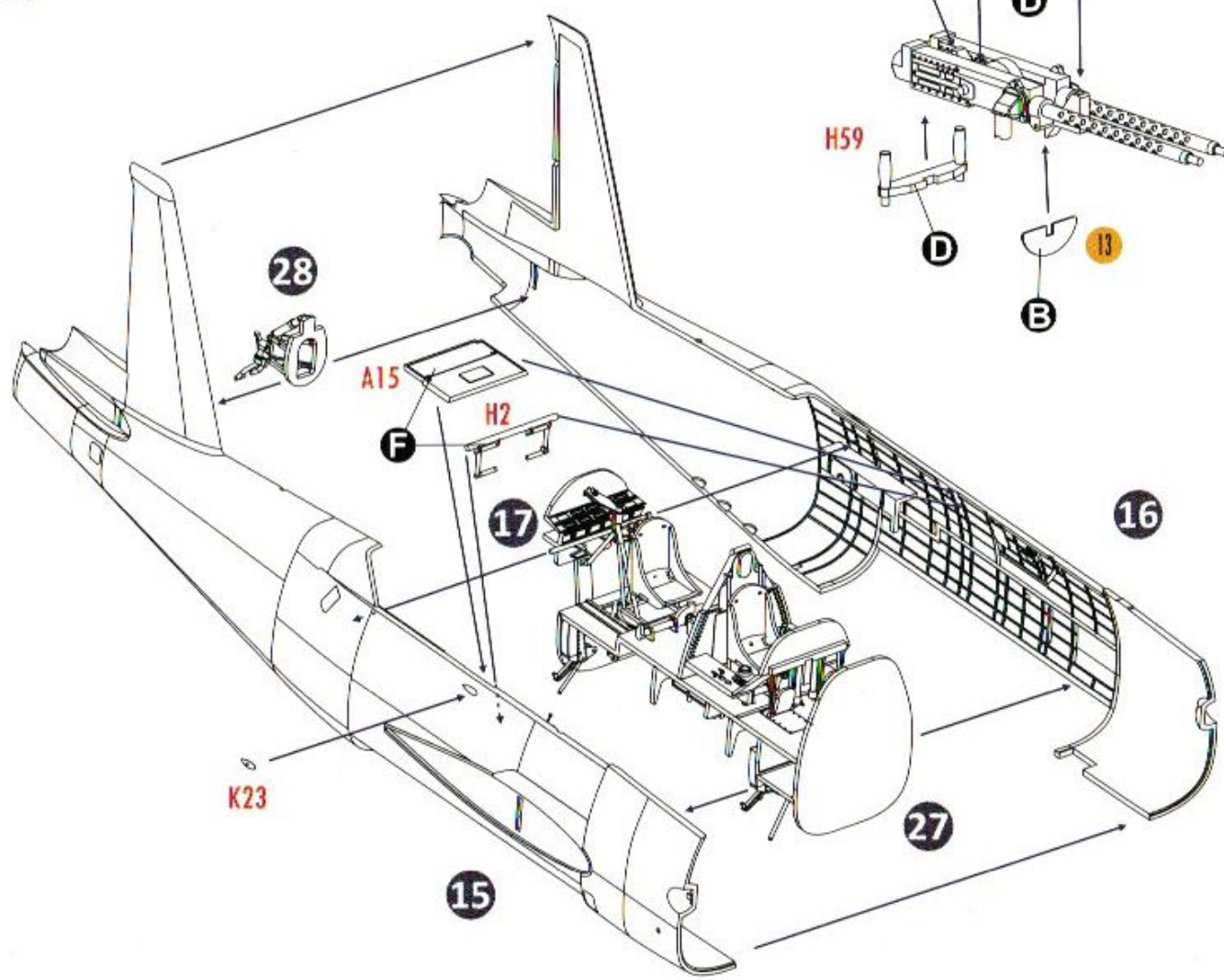
29



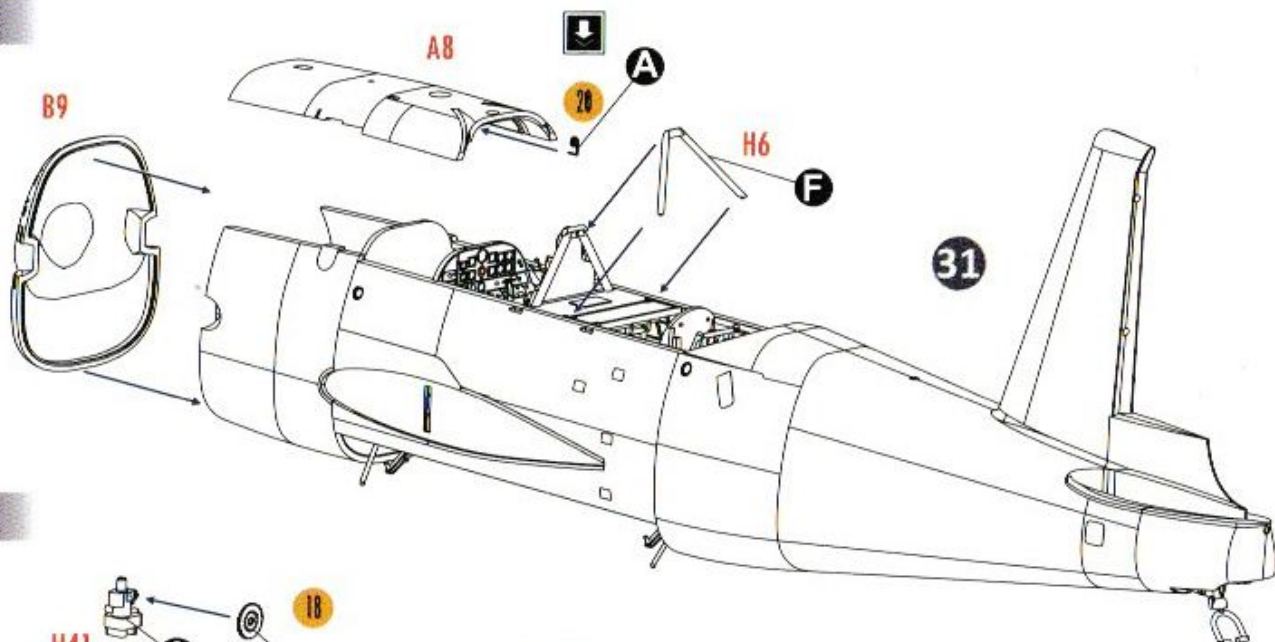
30



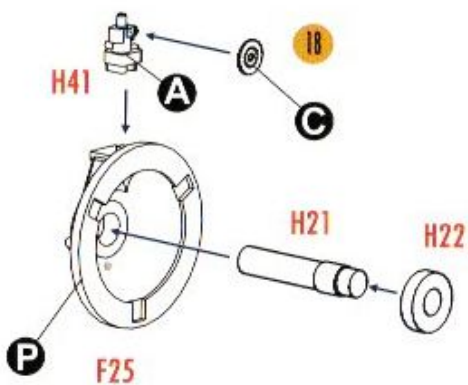
31



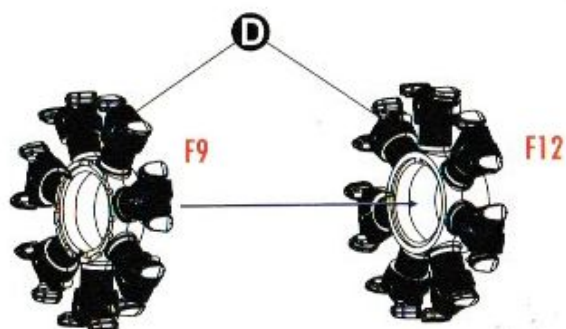
32



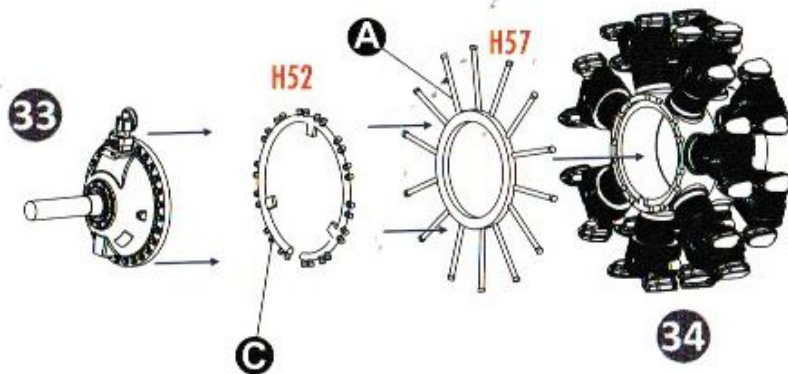
33



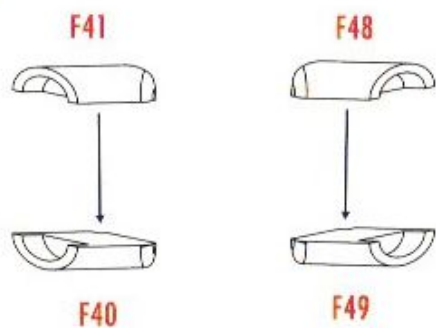
34



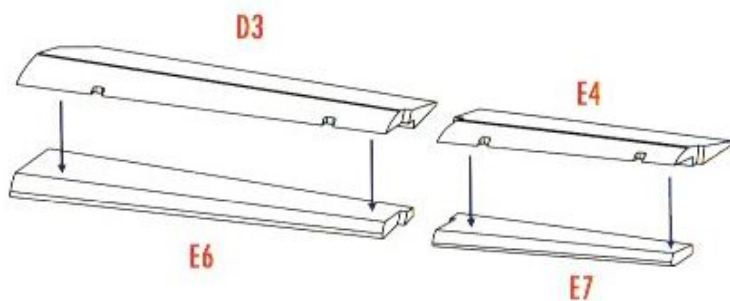
35



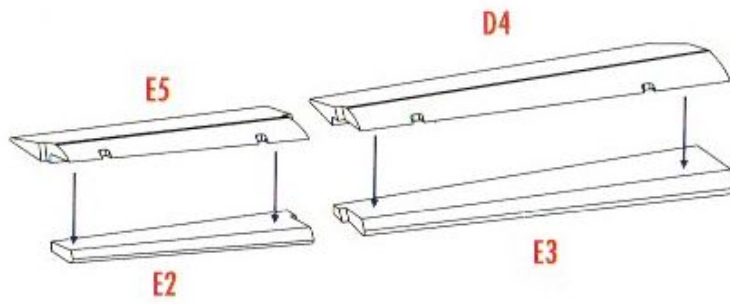
36



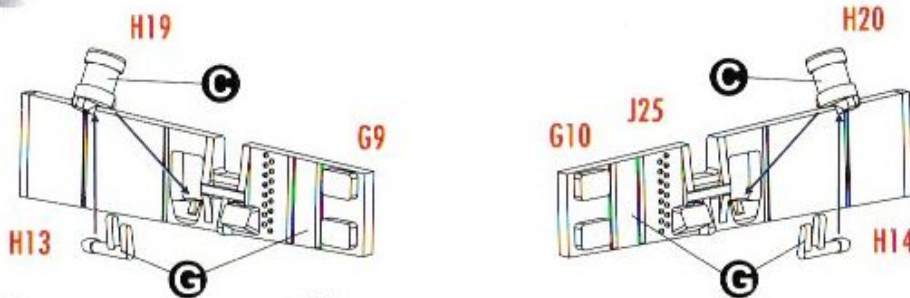
37



38



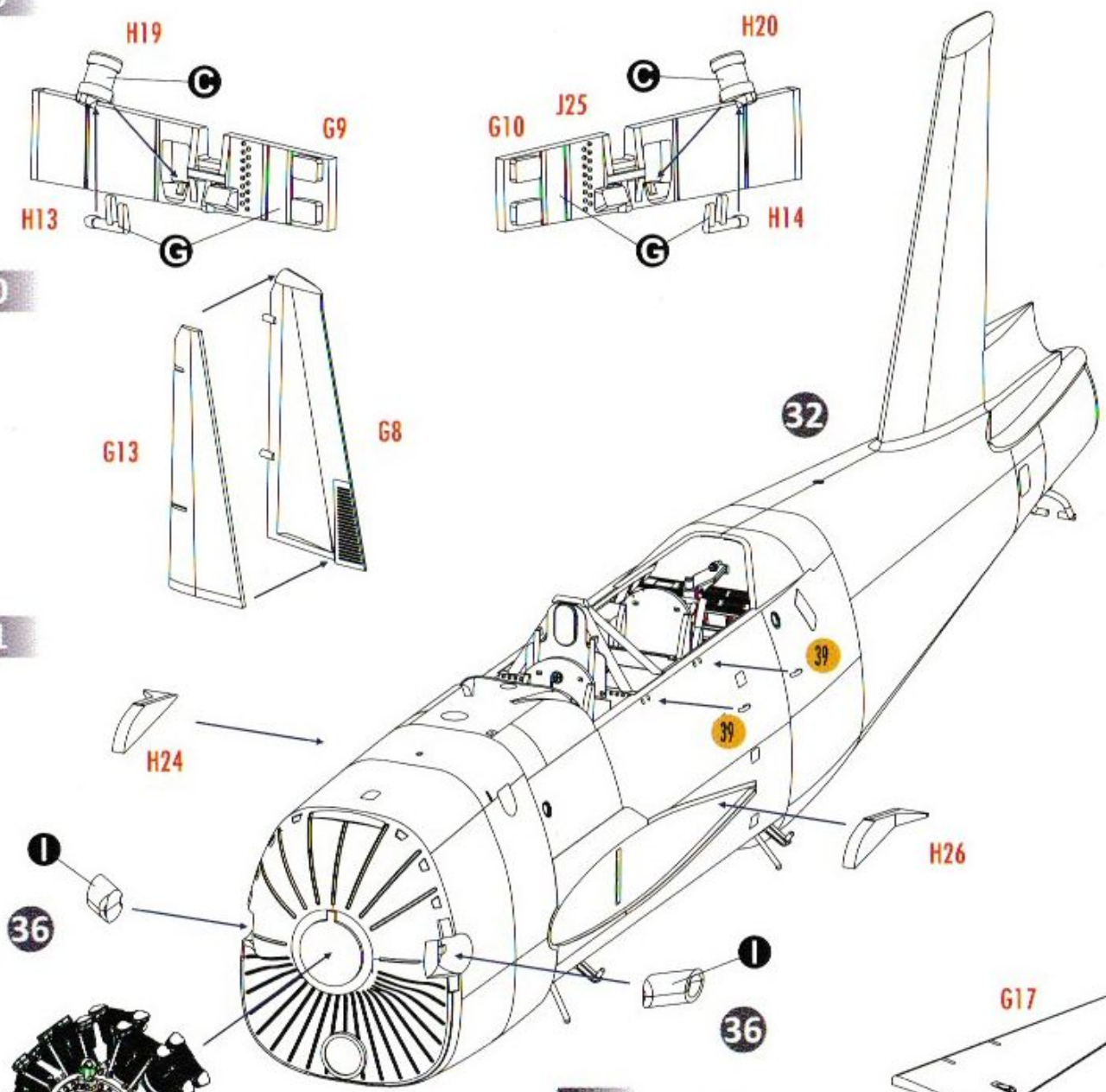
39



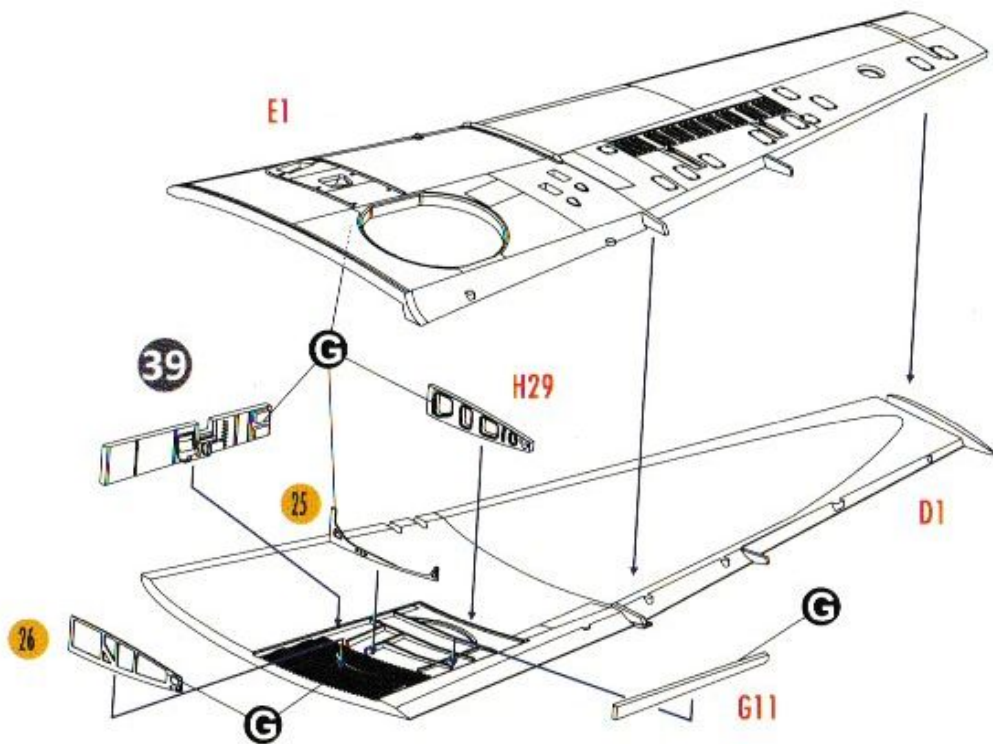
40



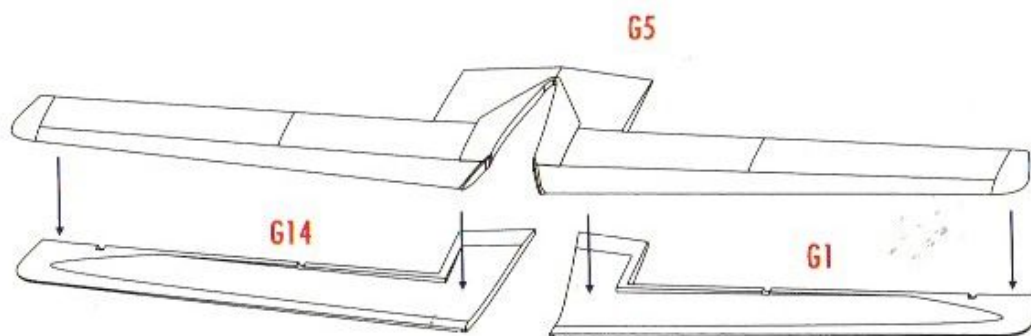
41



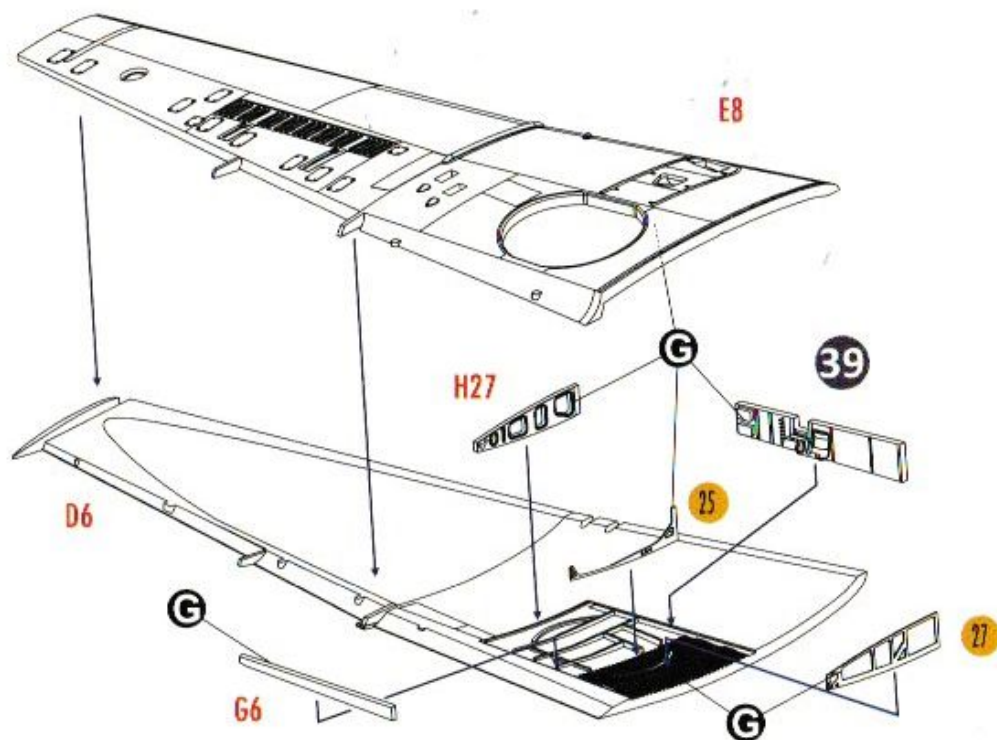
43



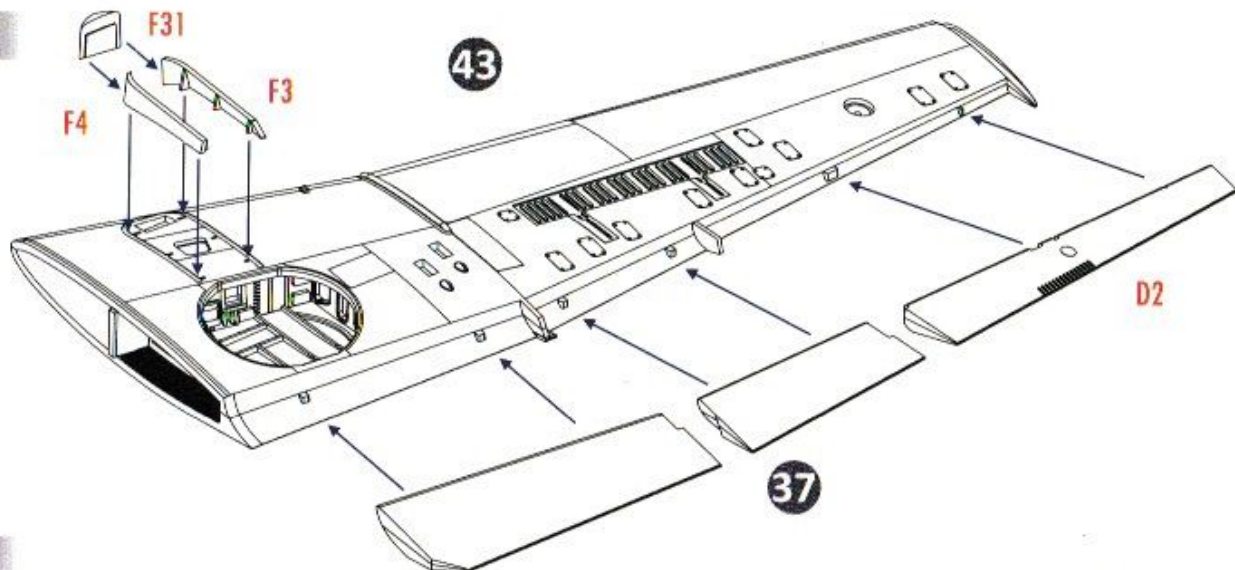
44



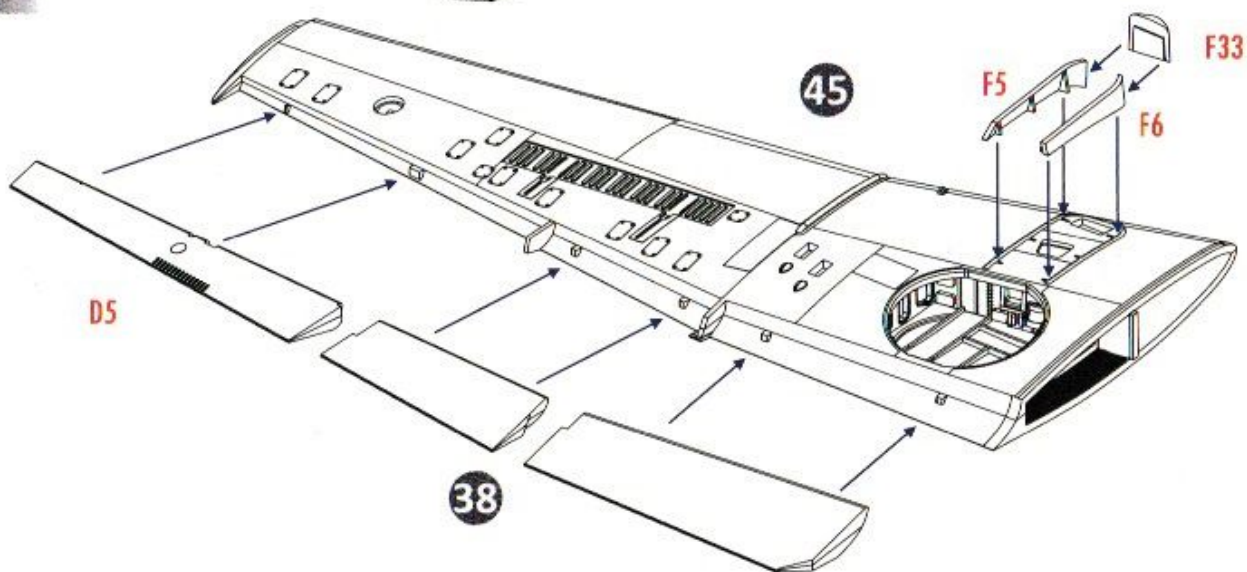
45



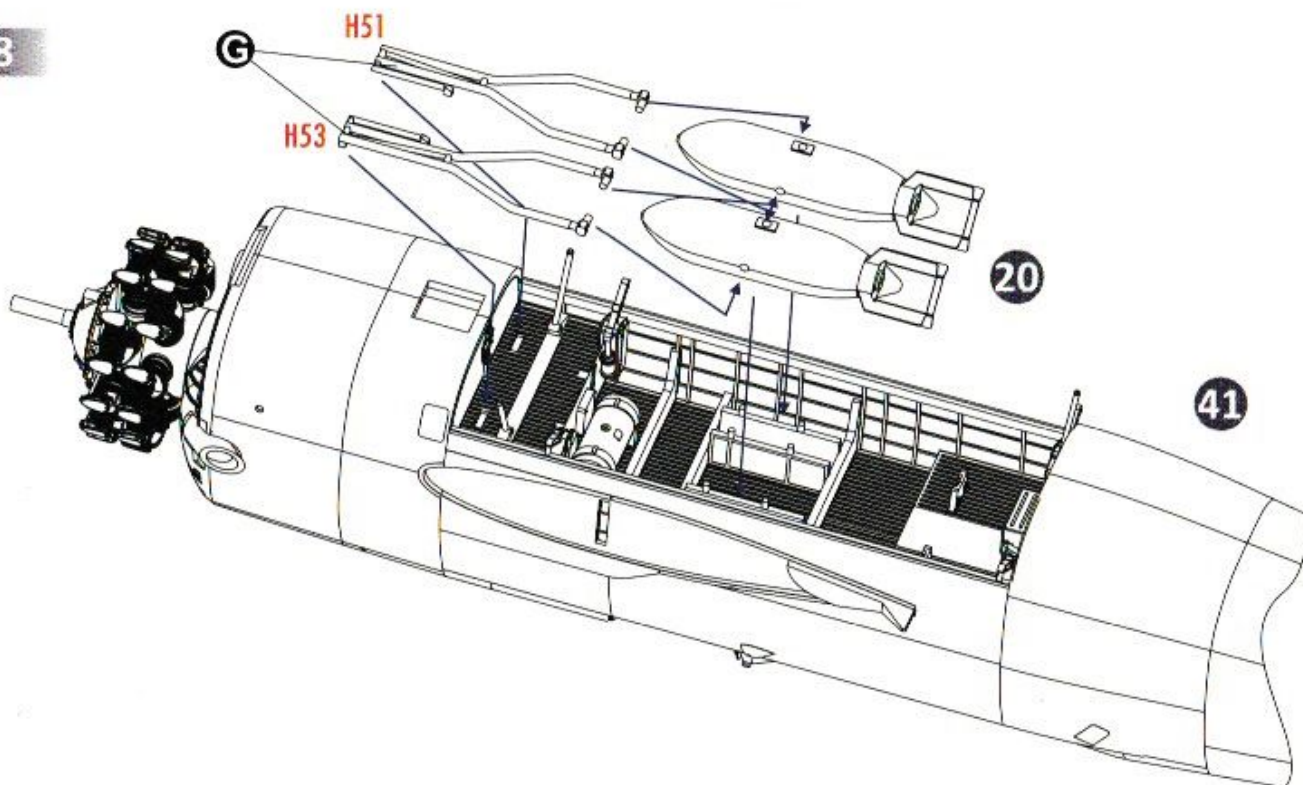
46



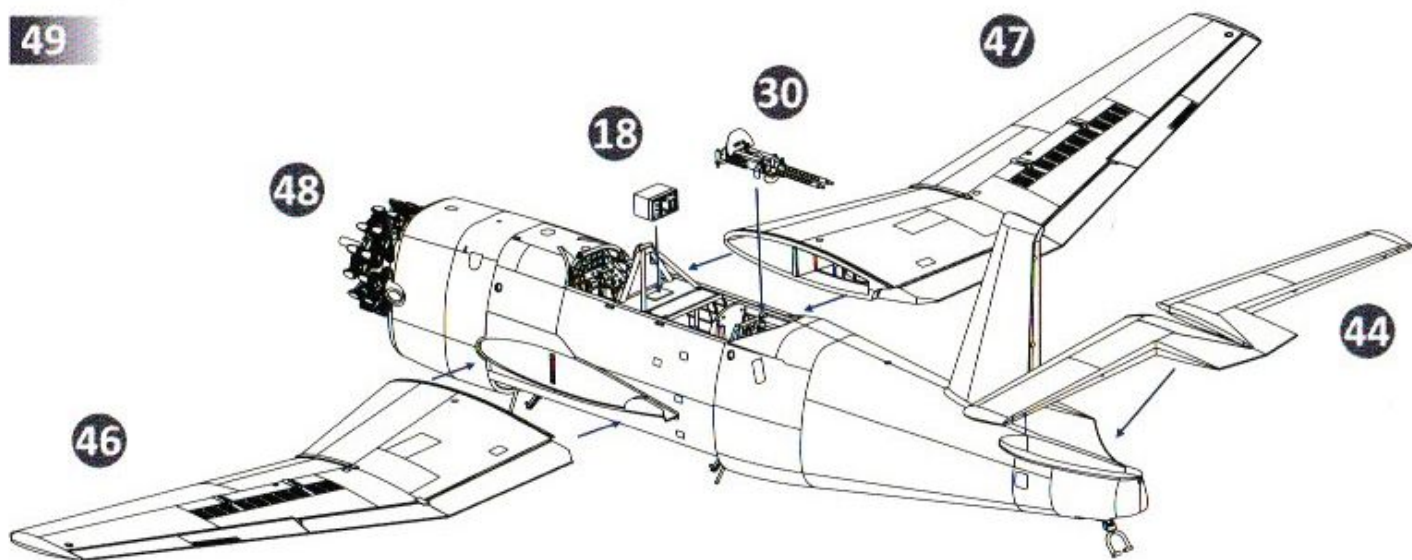
47



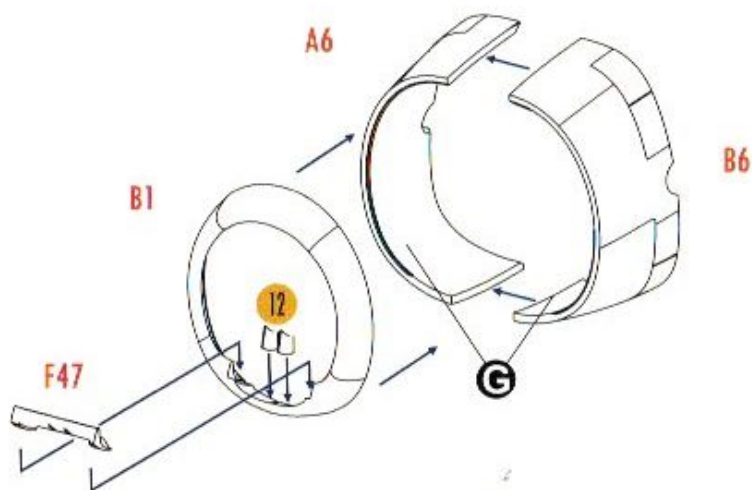
48



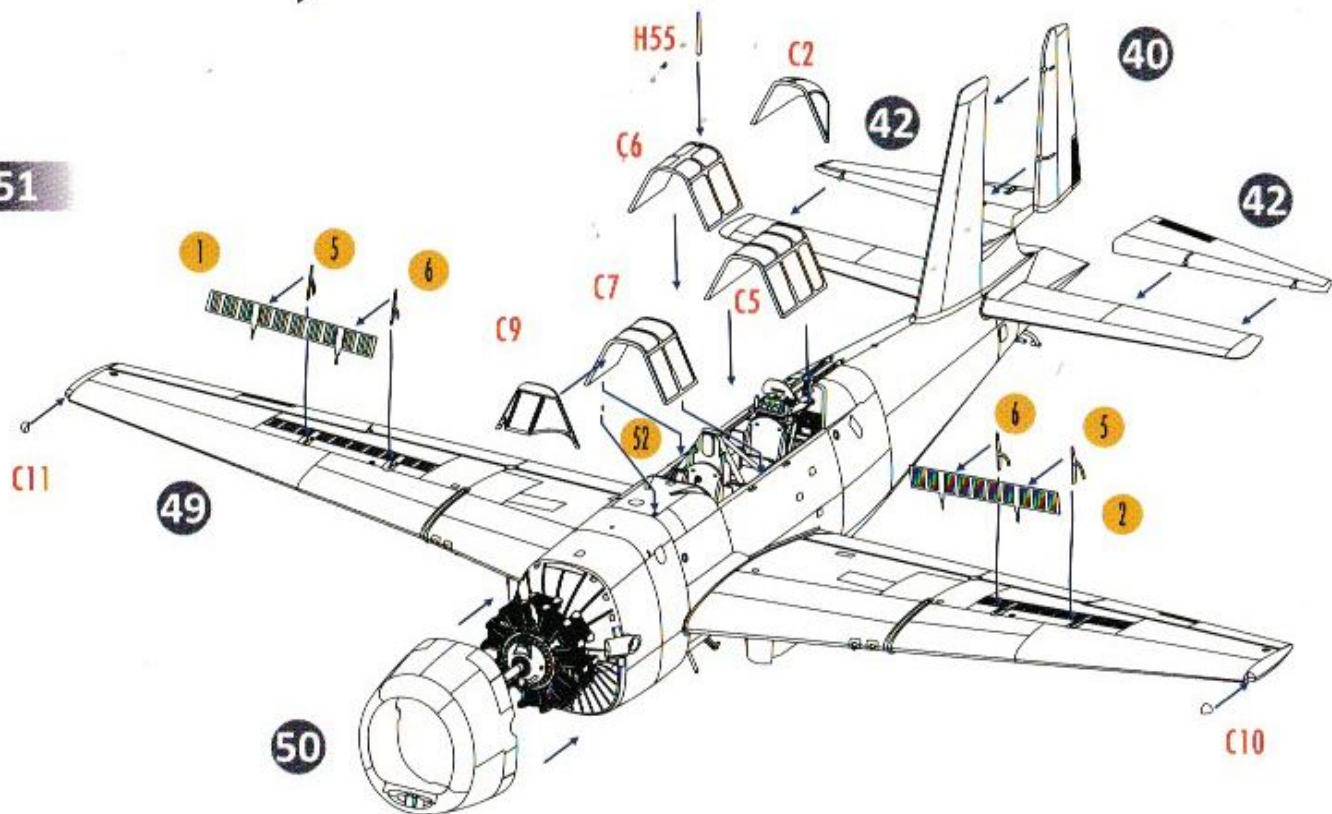
49



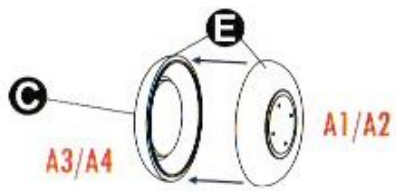
50



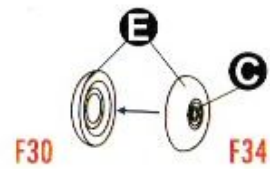
51



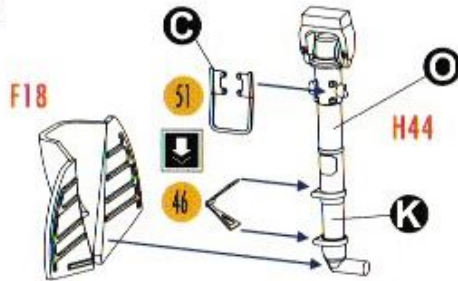
52



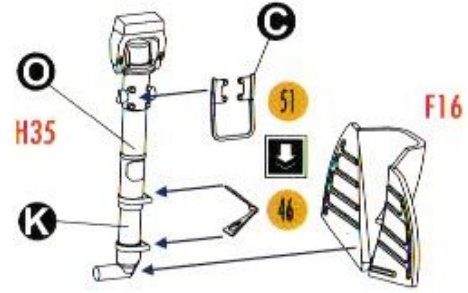
53



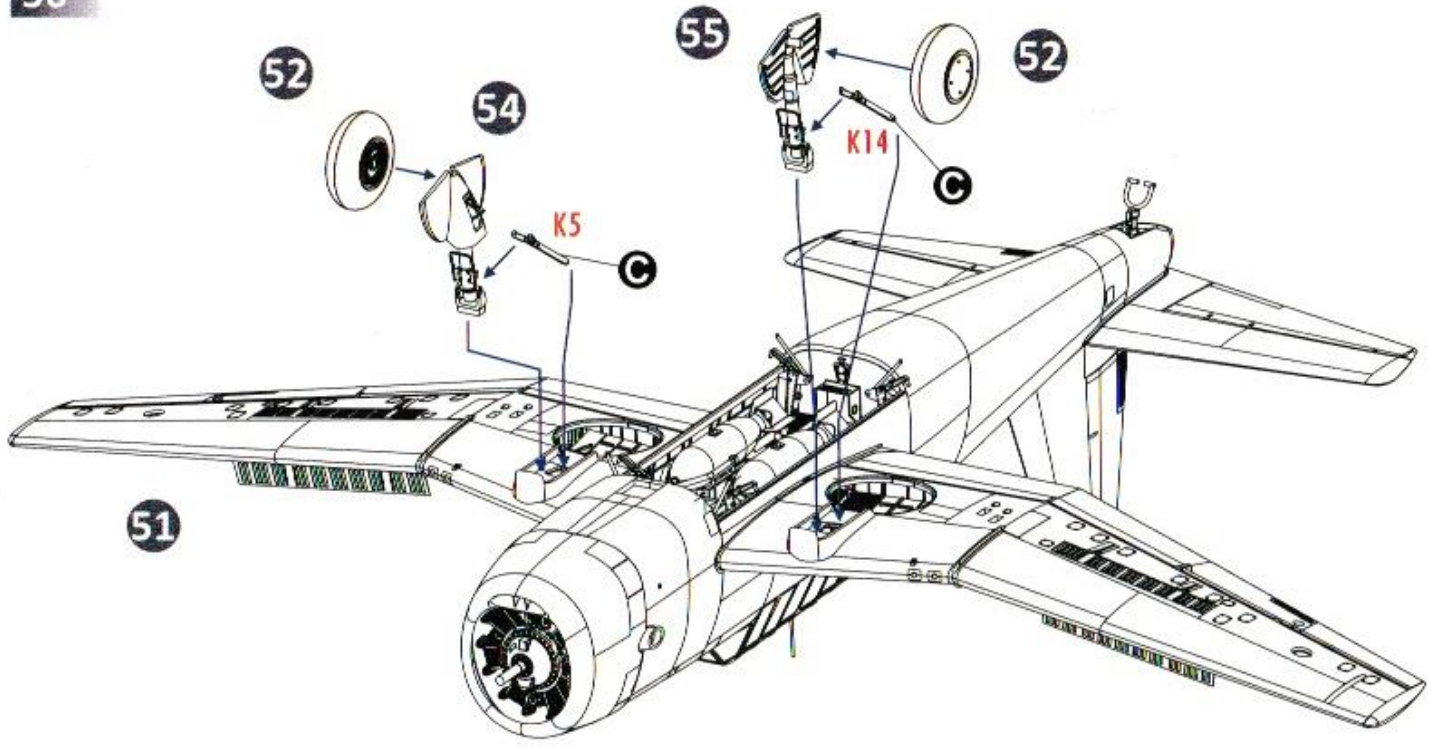
54



55



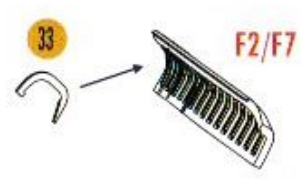
56



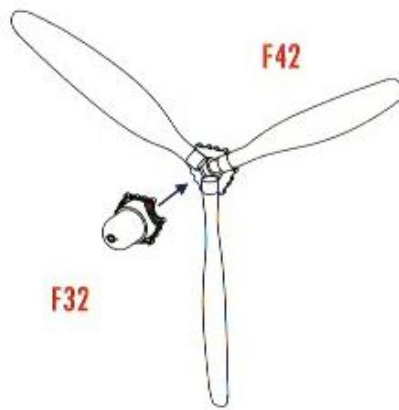
57



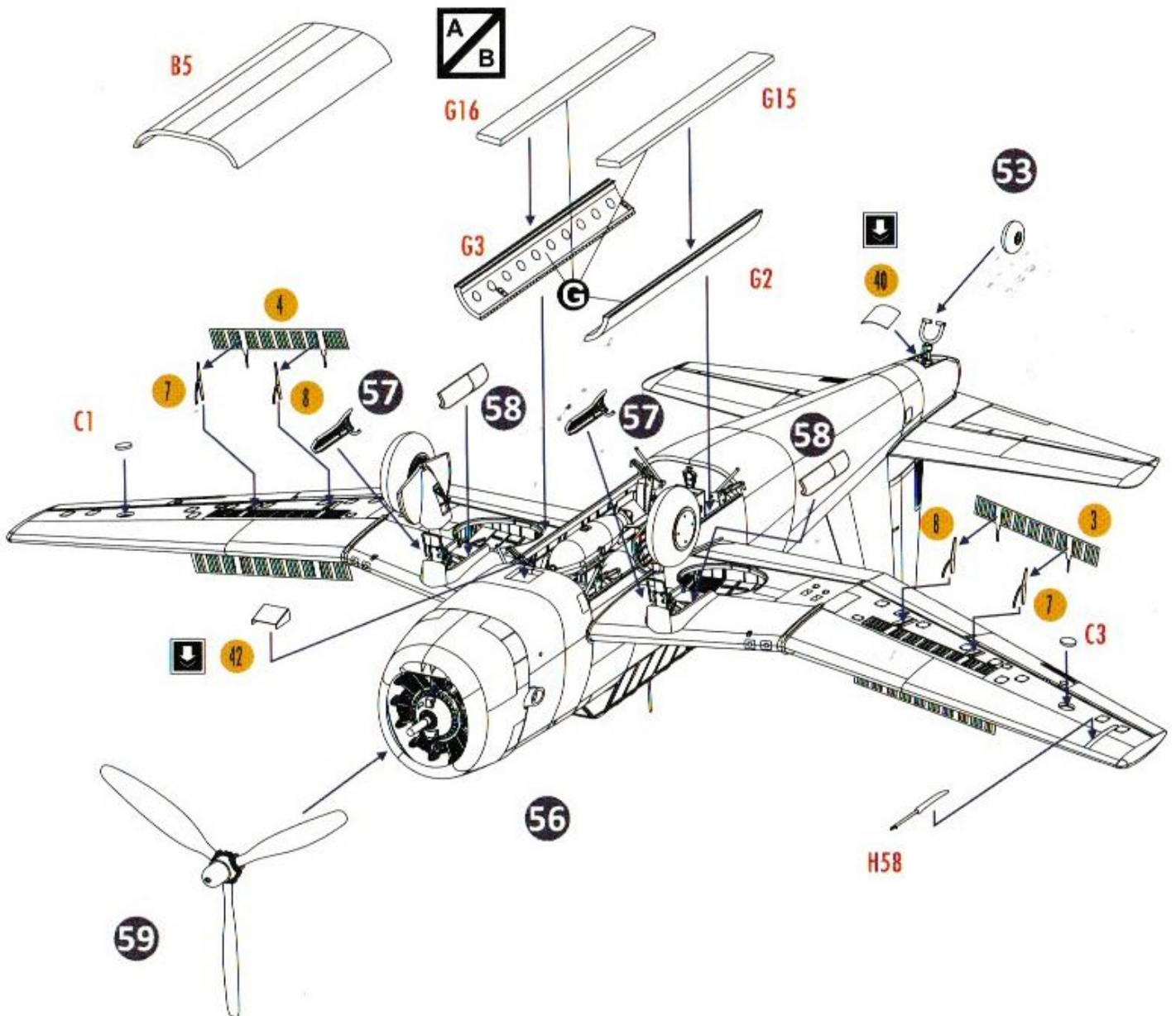
58

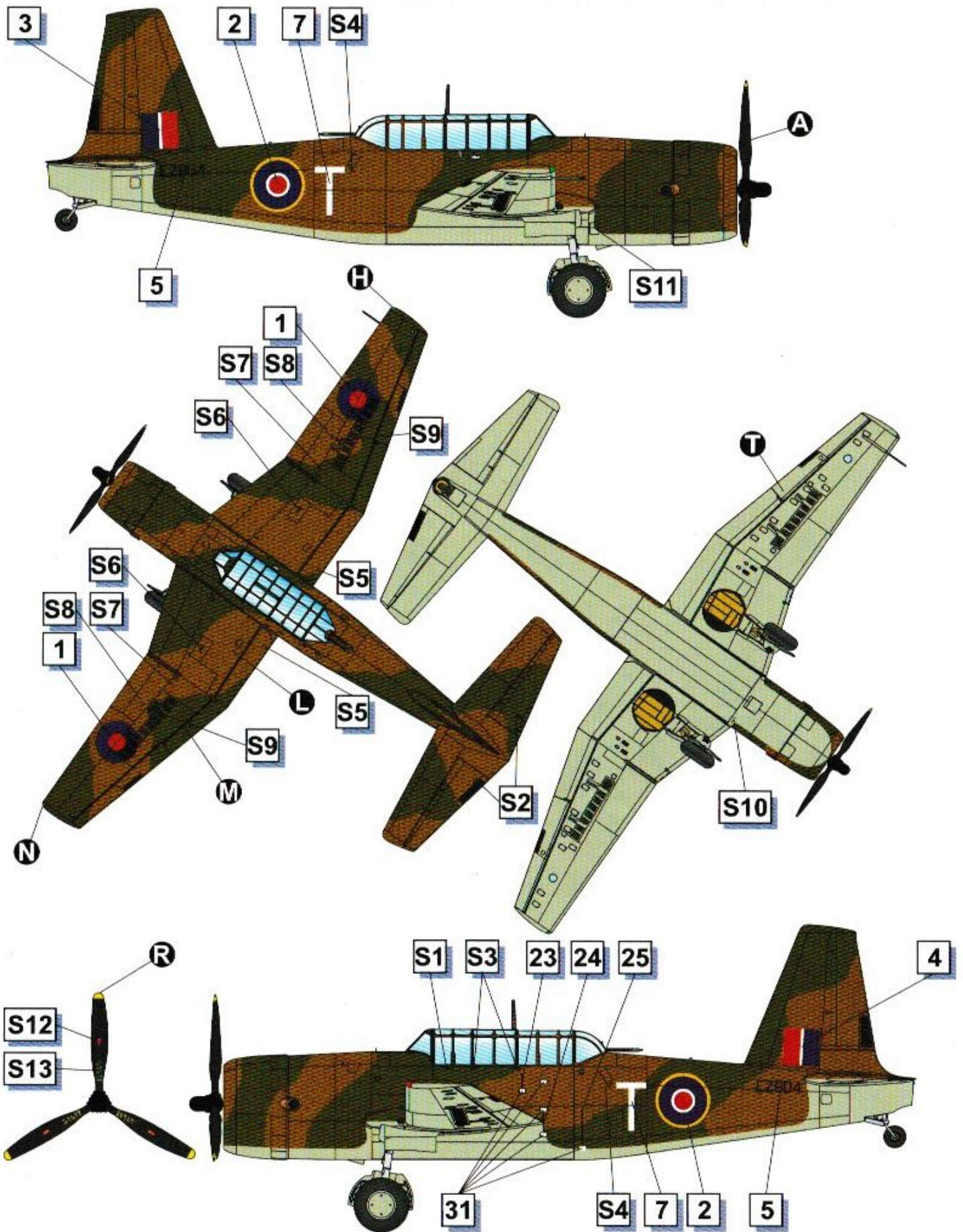


59

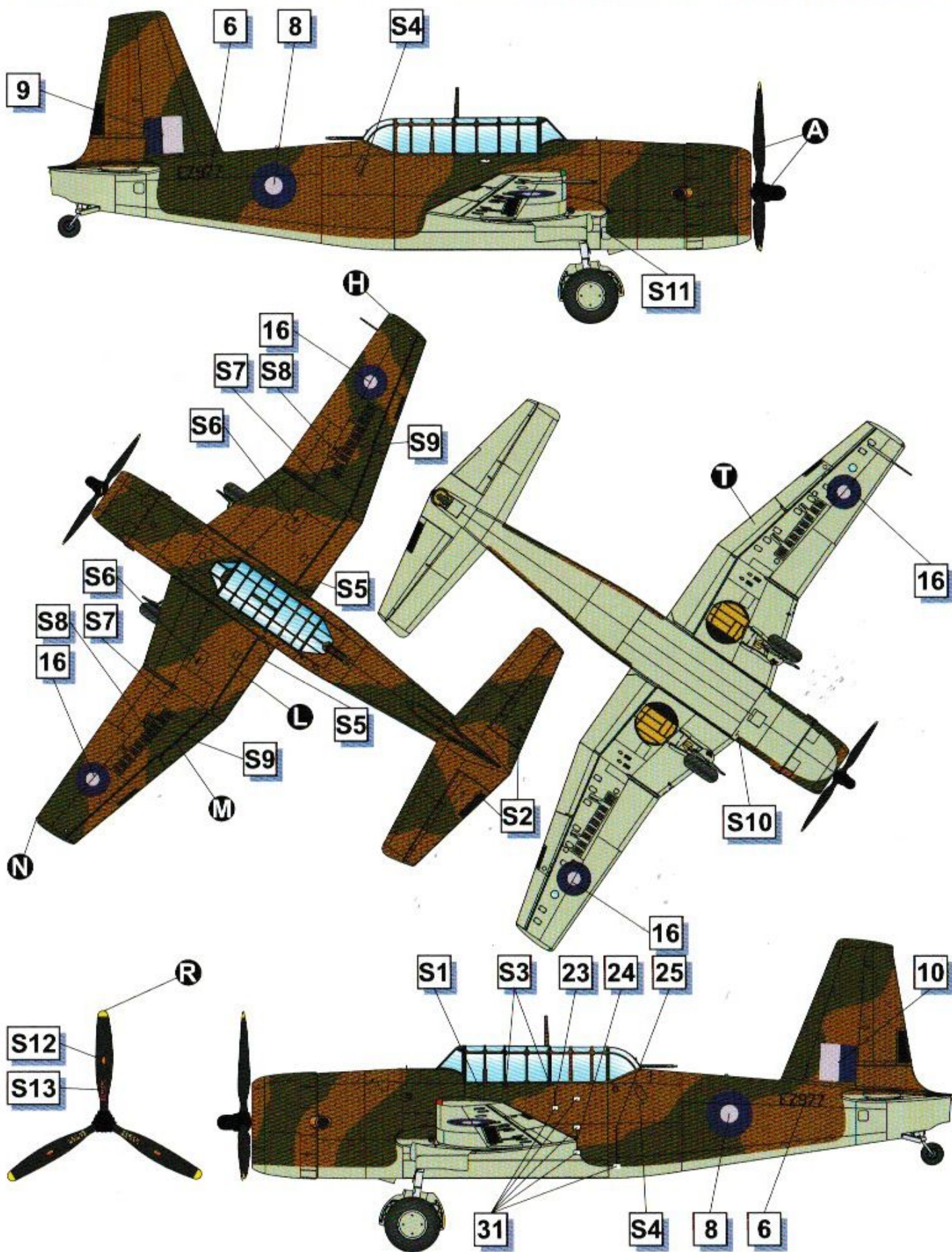


60

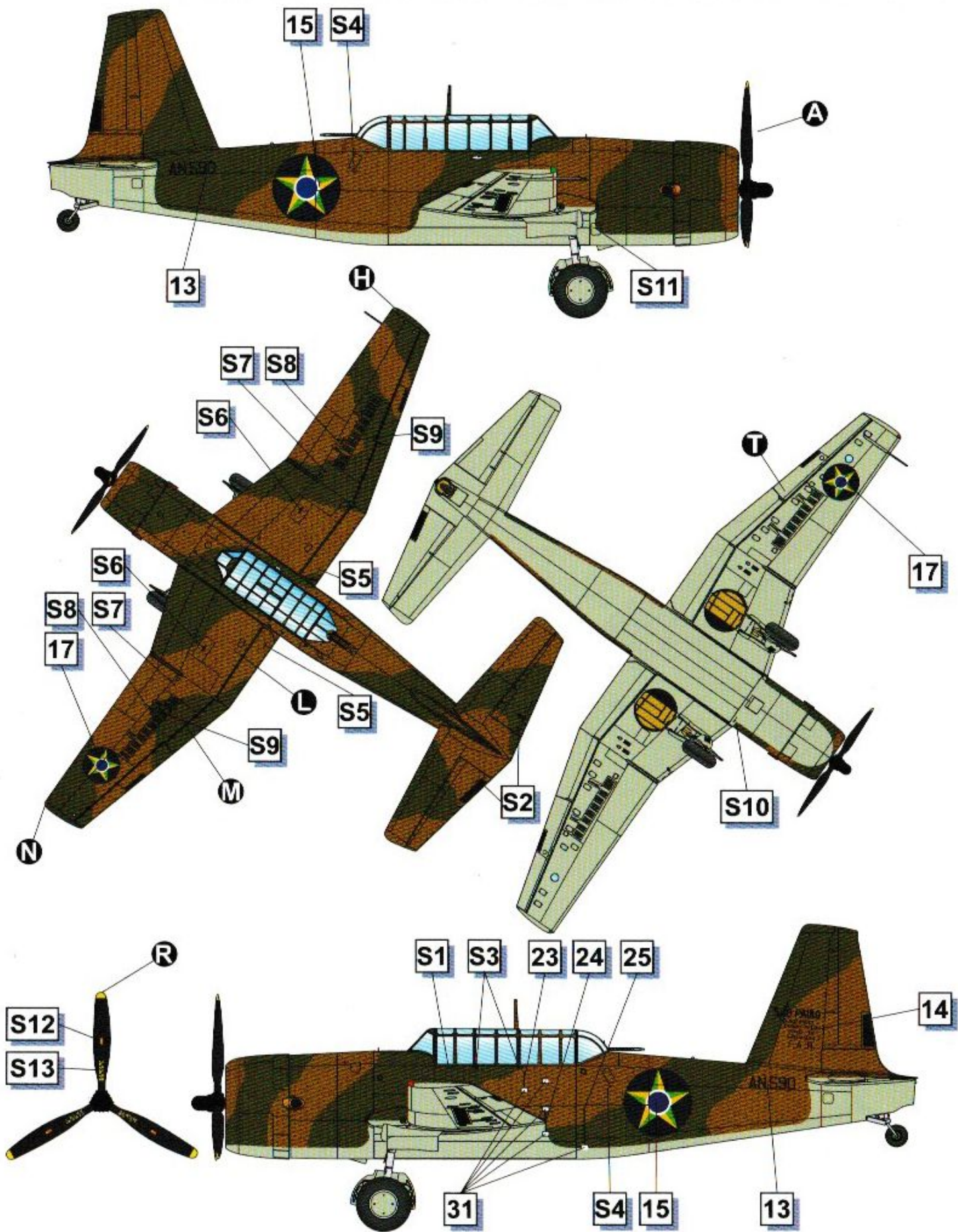




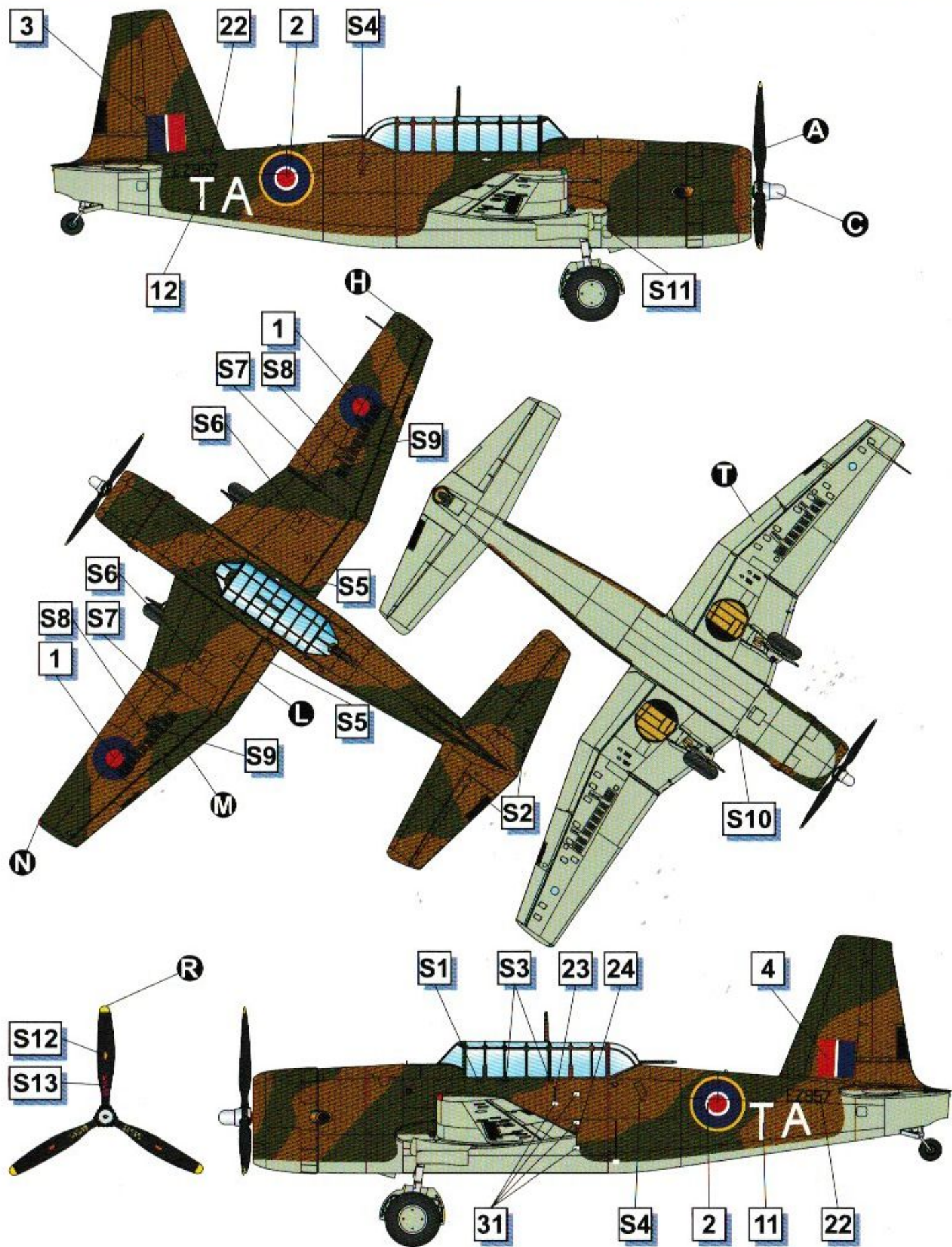
Vultee Vengeance Mk.IA (EZ804), 110 (H) Sqn. Burma, 1944



Vultee Vengeance Mk.IA (EZ977), 8 Sqn. IAF. India, 1944



Vultee Vengeance Mk.I (AN590), 1 GBPi. Brazil, 1943



Vultee Vengeance Mk.IA (EZ957), 110 (H) Sqn. Burma, 1944

COLOR TABLE

Color Chart		MR. HOBBY	Tamiya	AMMO MIG	Hataka	LIFECOLOR
Black	A	C33/H12	XF-1	MIG 046	HTK 100	LC 02
Olive Drab	B	C38/H78	XF-62	MIG 0237	HTK 004	UA 005
Aluminium	C	MC 218	XF-16	MIG 194	HTK 078	LC 24
Gun Metal	D	C78/H28	X-10	MIG 045	HTK 106	LC 26
Rubber Black	E	C137/H77	XF-85	MIG 035		UA 733
Interior Green	F	C351/H58		MIG 0220	HTK 211	UA 004
Yellow Chromat	G	C352				
Clear Green	H	C138/H94	XF-25	MIG 092		
Burnt Iron	I	C61/H76	XF-25	MIG 187		LC 37
Signal Red	J	C79/H11	XF-2	MIG 049	HTK-103	LC 56
Polished metal	K	MC 211	XF-56	MIG 0192		
RAF Dark Earth	L	C369/H72			HTK-009	UA-547
RAF Dark Green	M	C330/H330	XF-81	MIG 915	HTK 143	UA 546
Clear Red	N	C47/H90	XF-27	MIG 093		
RAAF Sky blue	O	C115/H67	XF-23	MIG-0231	HTK-029	UA 061
Engine Gray	P	C339/H339	XF-2	MIG 0908	HTK 030	UA 030
Yellow	R	C329/H329	X-8		HTK 107	
White	S	C62/H11	XF-2	MIG 0047	HTK 101	LC 01
RAF Sky	T	C368			HTK-234	UA-550



USED SYMBOLS



CEMENT



DON'T CEMENT



REMOVE



SYMMETRICAL



MULTIPLE



BEND



OPEN WHOLE



VARIANTS



TO PAINT