

Third Group™



PO BOX 98545 • TACOMA WA 98498-0545 • USA

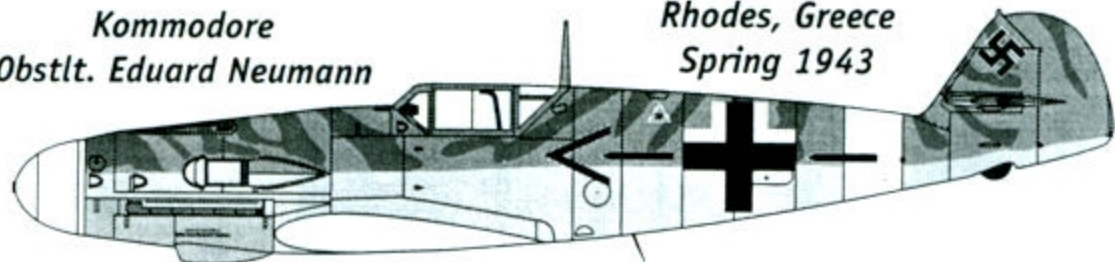
48-064

1:48
scale

Messerschmitt Bf 109 #17 – G-2 Trop/G-4 Kommodore & I/JG 27

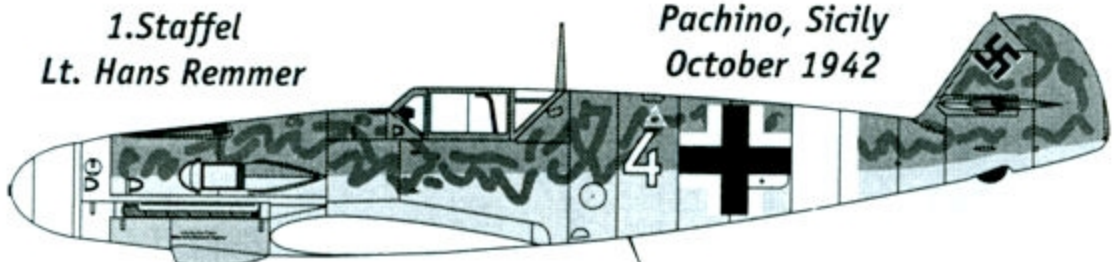
Kommodore
Obstlt. Eduard Neumann

Rhodes, Greece
Spring 1943



1.Staffel
Lt. Hans Remmer

Pachino, Sicily
October 1942



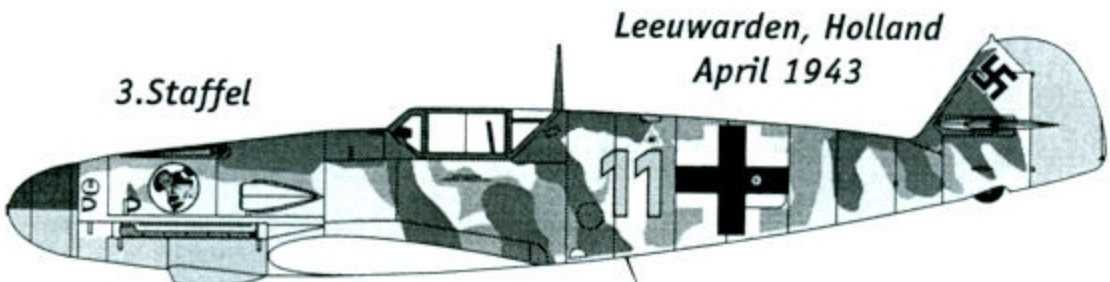
2.Staffel

Leeuwarden, Holland
April 1943



3.Staffel

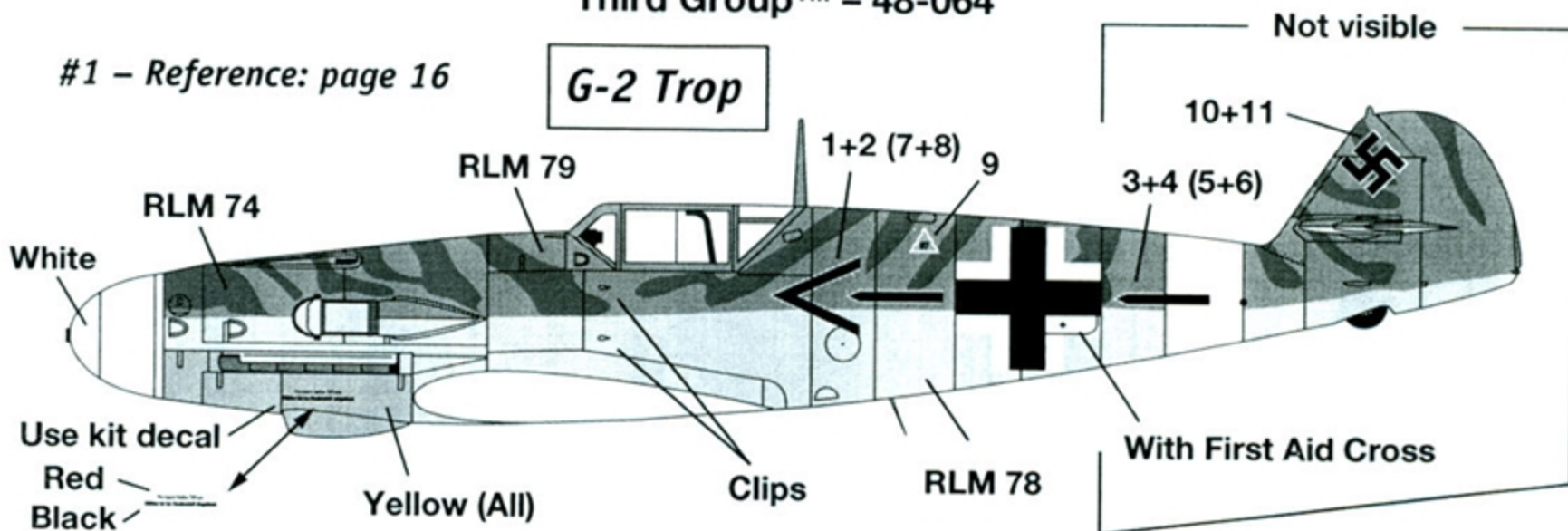
Leeuwarden, Holland
April 1943



Third Group™ – 48-064

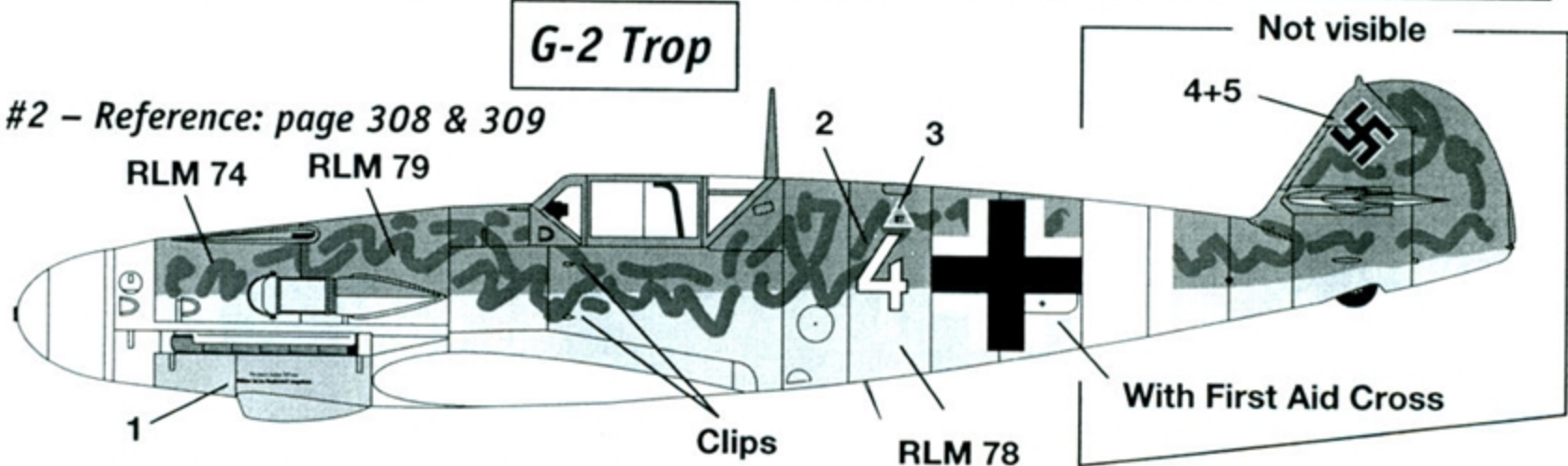
#1 – Reference: page 16

G-2 Trop



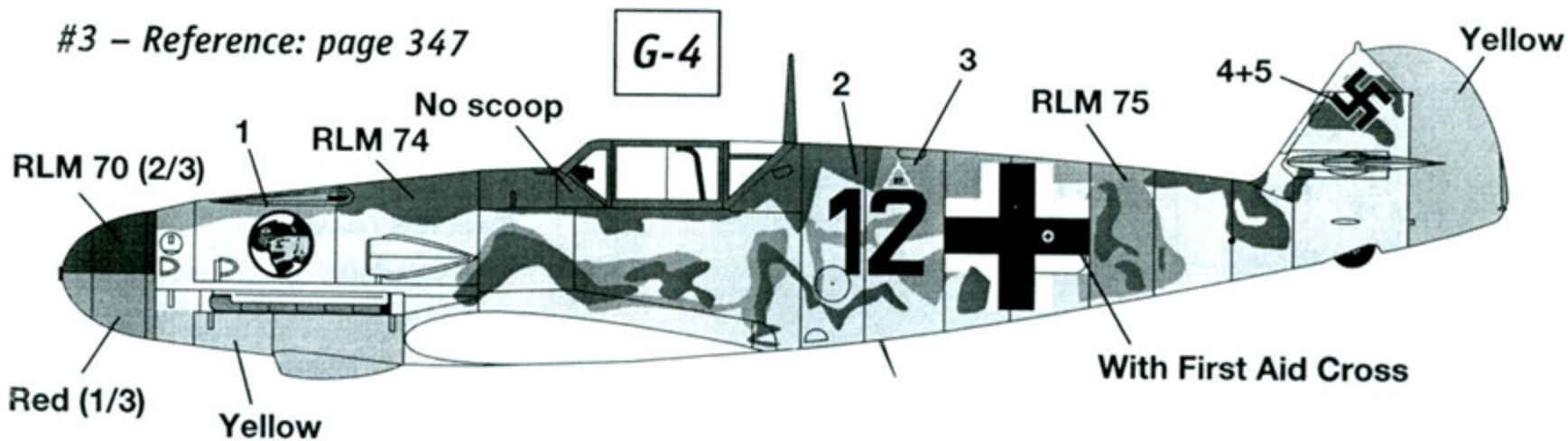
#2 – Reference: page 308 & 309

G-2 Trop



#3 – Reference: page 347

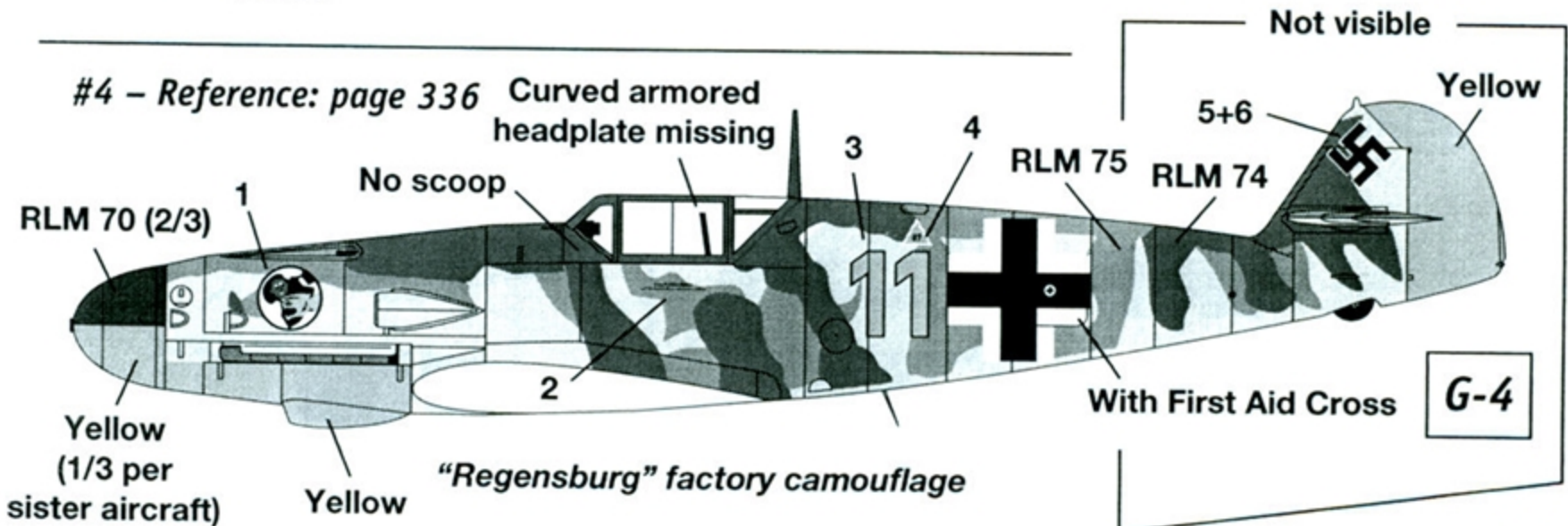
G-4



#4 – Reference: page 336

Curved armored headplate missing

G-4



"Regensburg" factory camouflage

For scale plan views,
enlarge by 200%

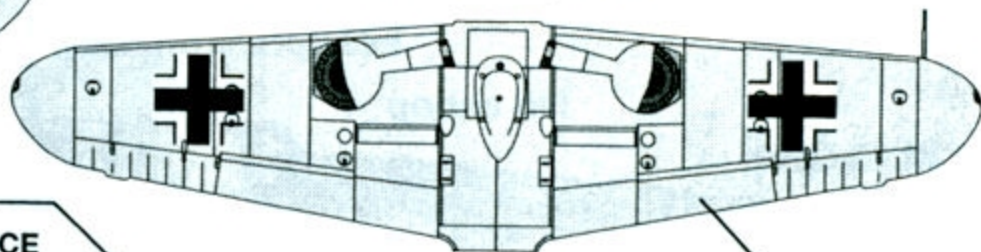
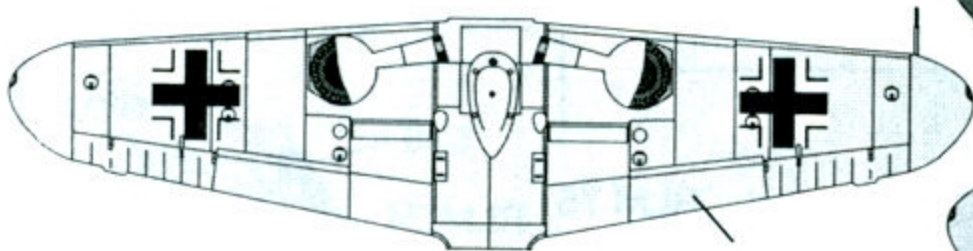
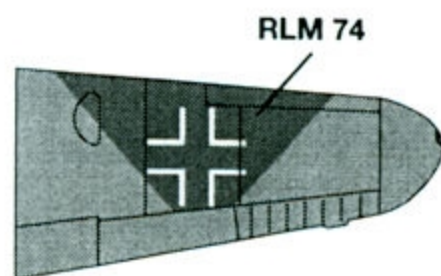
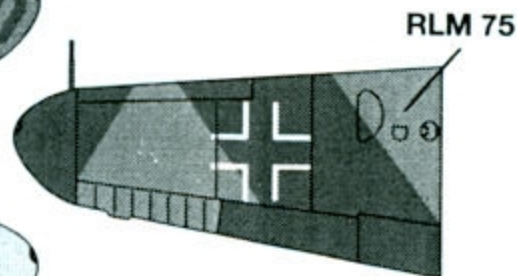
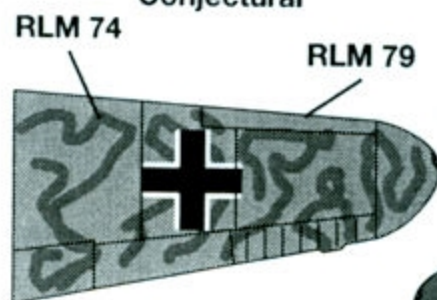
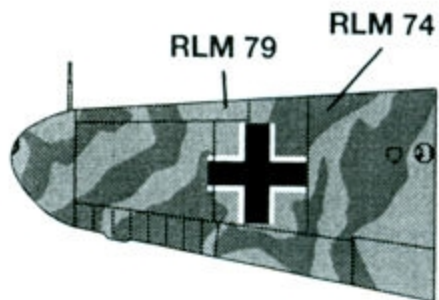
Kommodore

White 4

Conjectural

Black 12 & Yellow 11

Conjectural



RLM 78



RLM 76

REFERENCE

*Messerschmitt Bf 109
im Einsatz bei
Stab und I./Jagdgeschwader 27:
Jochen Prien, Peter Rodeike,
Gerhard Stemmer
19??*

*Special thanks to
Werner Stocker
for research assistance.*

Optionally apply additional stencils (not provided)