

FOUGA



1/48 FOUGA CM. 170 MAGISTER

The first purpose-built two-seat jet trainer aircraft in the world, the French Fougas Magister first took to the air on July 23rd, 1952. Nearly 1,000 Magisters were produced and being exported to many nations.

The distinctive V-tail of the CM.170 Magister originated on the CM.8 glider Fougas was using to experiment with jet engines.

The development of the aircraft came to an end when the French Air Force selected the Alpha Jet as their new jet trainer.

The Israeli Air Force operated a license-manufactured version, the IAI Tzukit. While principally a trainer, it was used in the 1967 Six Day War by 147 Squadron as a close support aircraft, attacking targets on the Egyptian front during the first day of the war, when Israel's more capable combat aircraft were deployed on Operation Focus against Arab air bases.

The Belgian Air Force operated 50 Magisters as primary trainers. The aerobatic team The Red Devils also used them as display aircraft. A small number of Magisters remained in use until September 2007, as flight maintenance aircraft for senior officers.



Drill



Remove



2 Set



Bend



Optional



Decal



Super Glue



Fill Hole



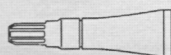
No Cement



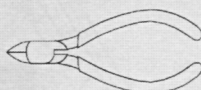
Be Careful

TOOLS RECOMMENDED

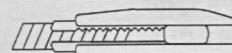
Cement



Side Cutter



Modeling Knife



Tweezers



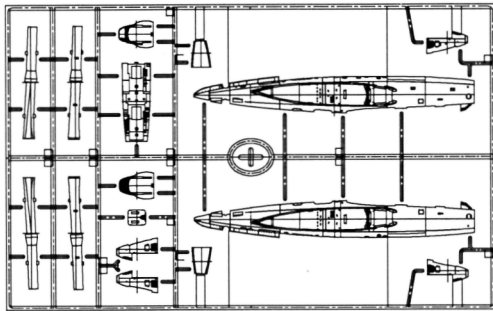
CAUTION

- *Read carefully and fully understand the instructions before commencing assembly.
- *Keep out of reach of children. Children must not be allowed to put any parts in their mouths, or pull plastic bag over their heads.
- *When using adhesives and paints, please make sure not to use them in closed room or near the fire.
- *When assembling this kit, tools including knives are used. Extra care should be taken to avoid injury.

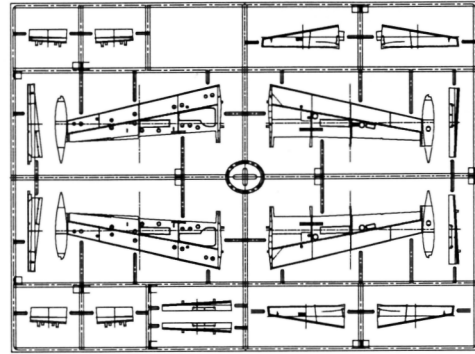
WARNING: CONTAIN SMALL PARTS NOT FOR CHILDREN UNDER 14 YEARS OF AGE.

1/48 SCALE AIRCRAFT SERIES NO: K48059

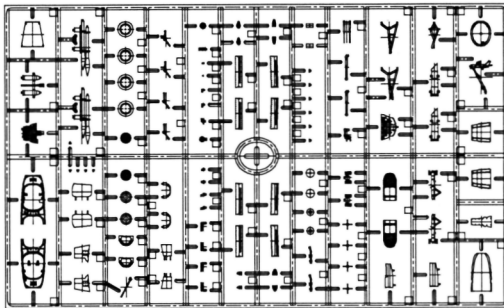
A



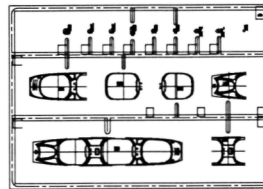
B



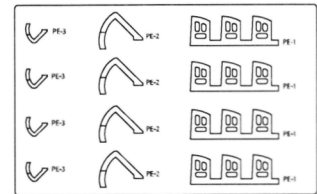
C



D



PE



PAINT INDEX

COLOR	VALLEJO MODEL COLOR	MODEL AIR	GSICREOS MR. COLOR	ITALERI ARCYLIC PAINT	HUMBROL ENAMEL	TAMIYA ENAMEL/ACRYLIC
FLAT BLACK	950	057	33	4768AP	33	XF-18
GLOSS WHITE	951	001	1	4796AP	34	X-2
CLEAR RED	934	-	47	-	1321	X-27
Flat Black (FS 37038)	-	71057	33	4768AP	133	-
Silver (FS 17178)	790	71064	8	4678AP	191	-
White Gray	993	-	-	-	-	-
RAL 5017 BLUE	923	71004	5	4659AP	25	X-4
RAL 3000	910	71102	3	4605AP	1321	X-7
RAL 8025	825	-	-	-	-	-
RAL 5008	816	-	-	-	-	-
RAL 7044	899	-	-	-	-	-
FS 28915	733	-	98	-	-	-
FS 17925	918	-	-	-	130	-
FS 12197	910	-	-	-	-	-
BROWN	877	-	-	-	-	-

950 denotes Vallejo Model Color

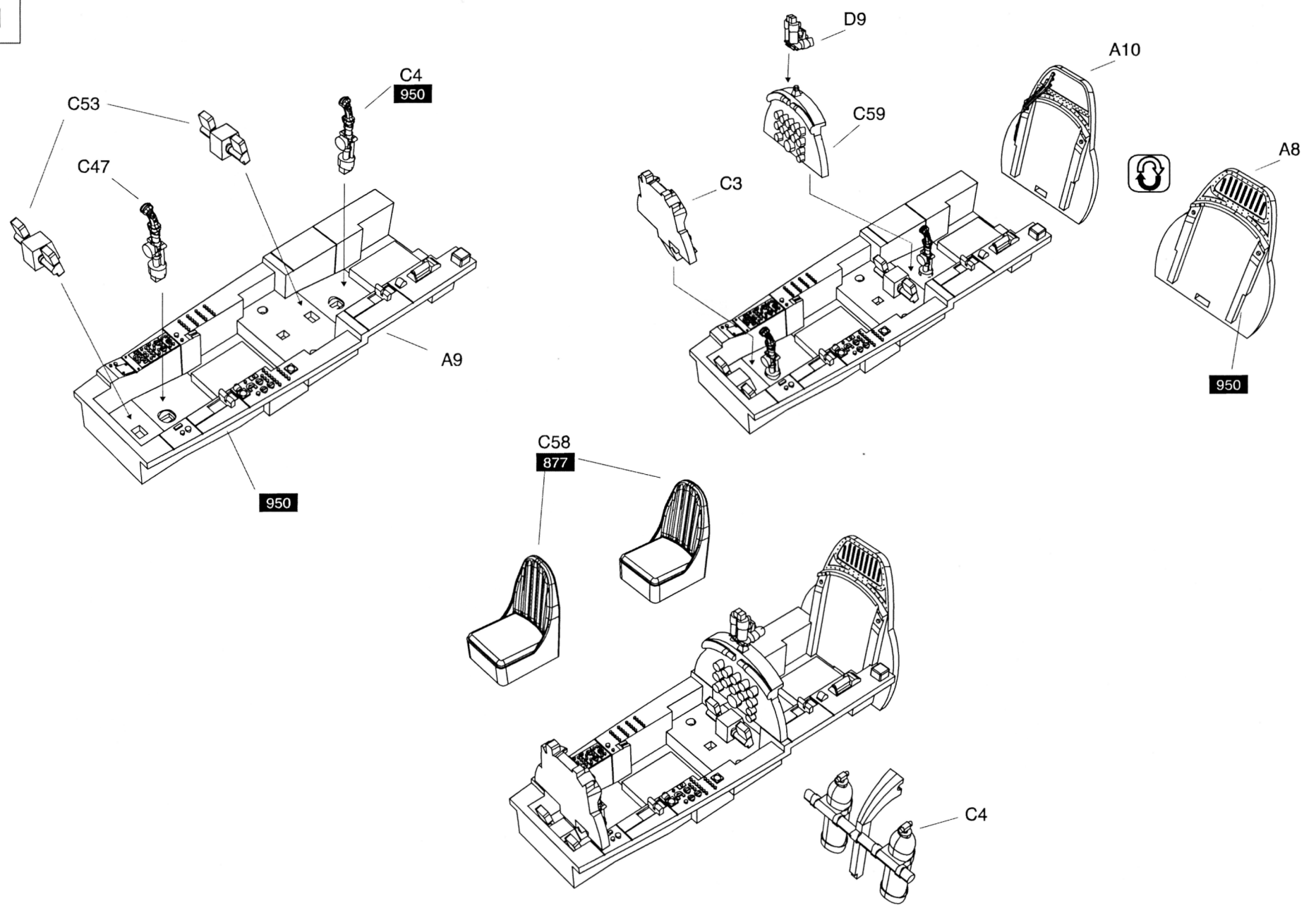
AFTERMARKET SERVICES CARD

When requesting replacement parts, please take or send this form to your local dealer so that the parts required can be correctly identified. Please note that specifications and availability are subject to change without notice.

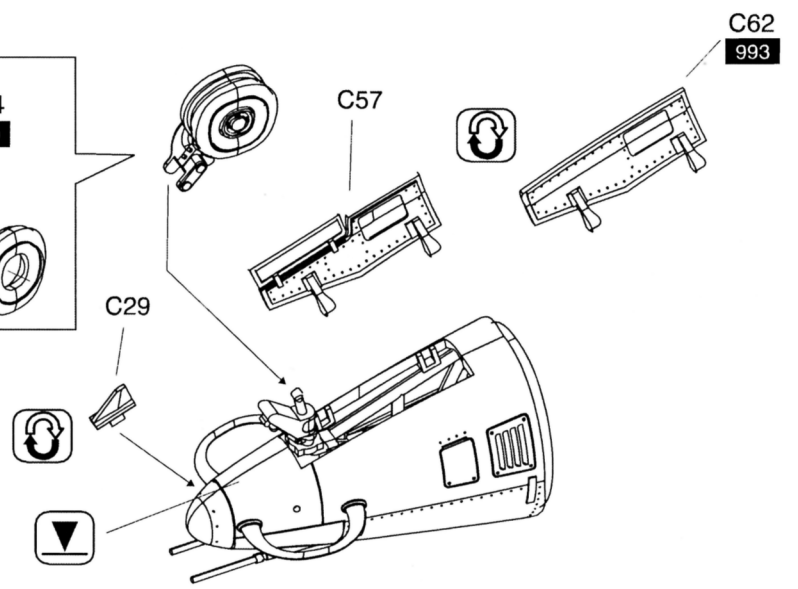
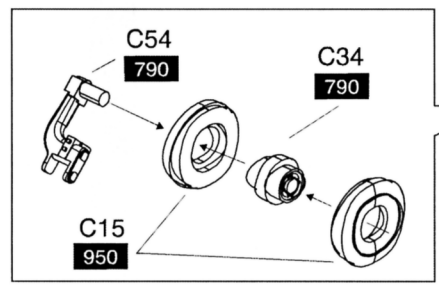
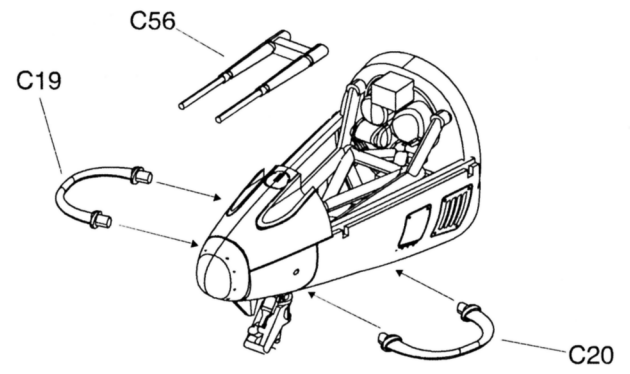
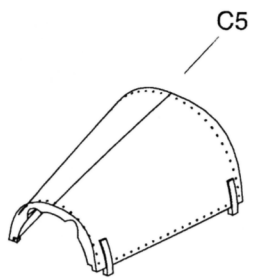
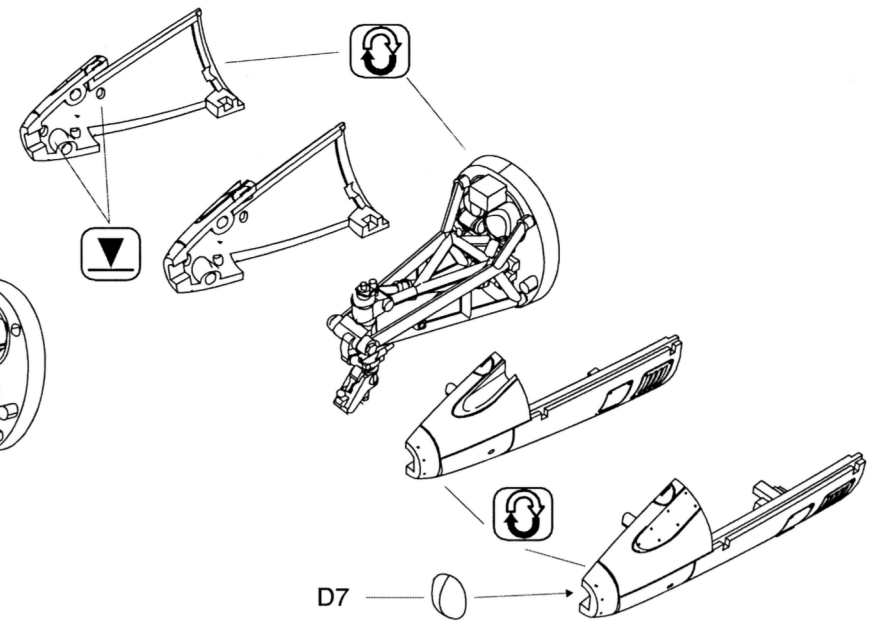
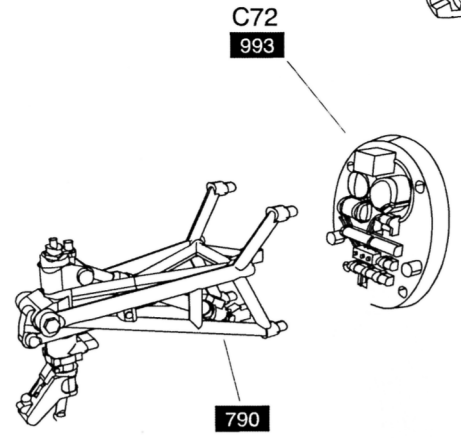
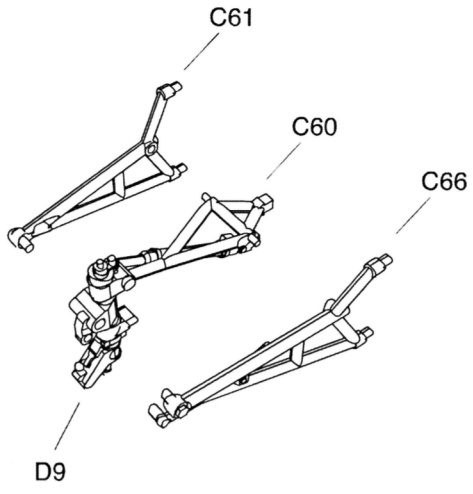
or visit <http://www.kineticmodel.com> for latest information.
For more information, please contact services@kineticmodel.com

Part No.		Item
00-170-001	A	Fouga Fuselage
00-170-002	B	Wings Parts
00-170-003	C	Small Parts
00-170-004	D	Clear Parts
01-170-48059		Decal - 1/48 Fouga For 48059
03-170-48059		1/48 Fouga Manual
06-170-48051		PE Parts

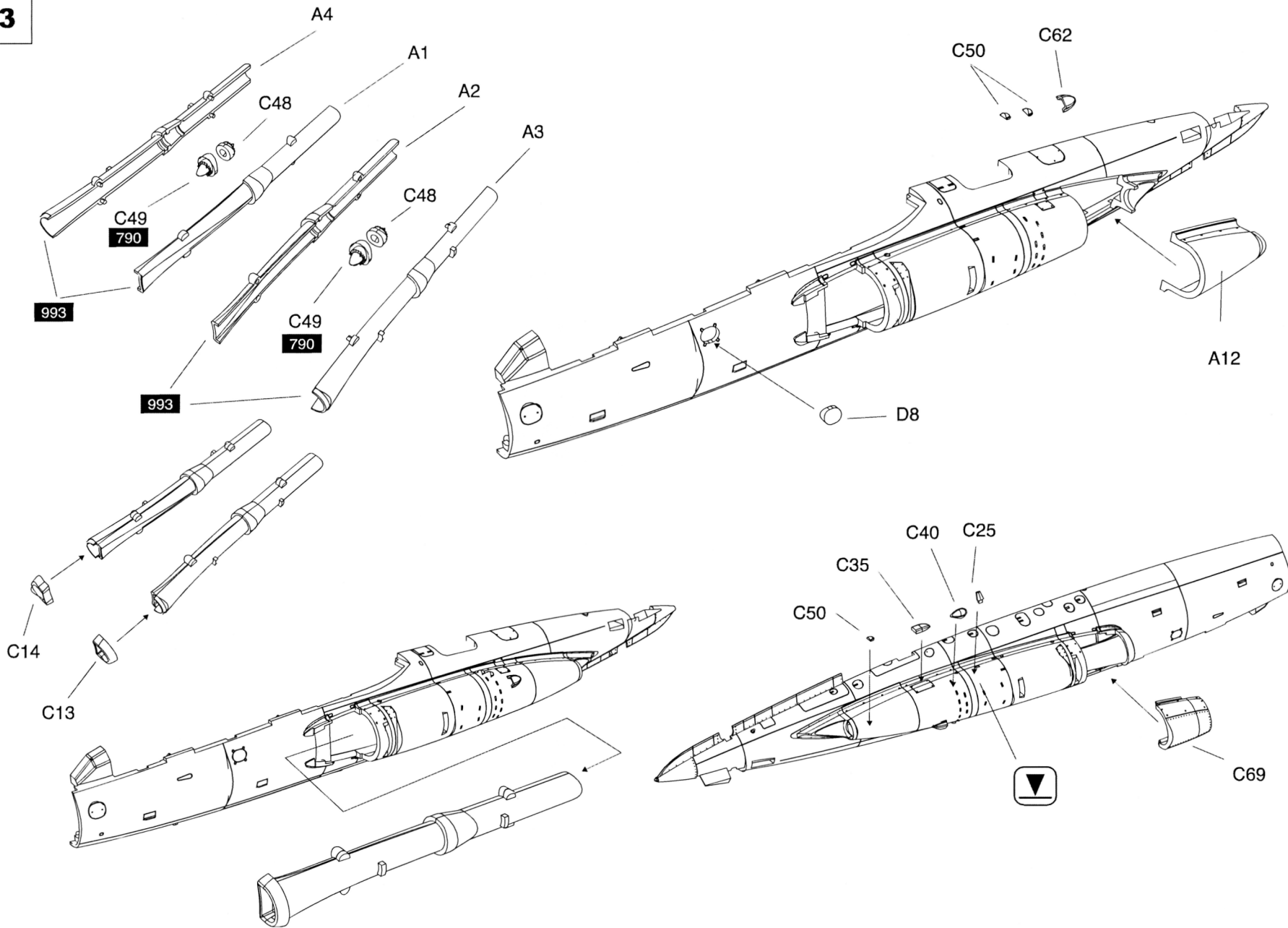
1



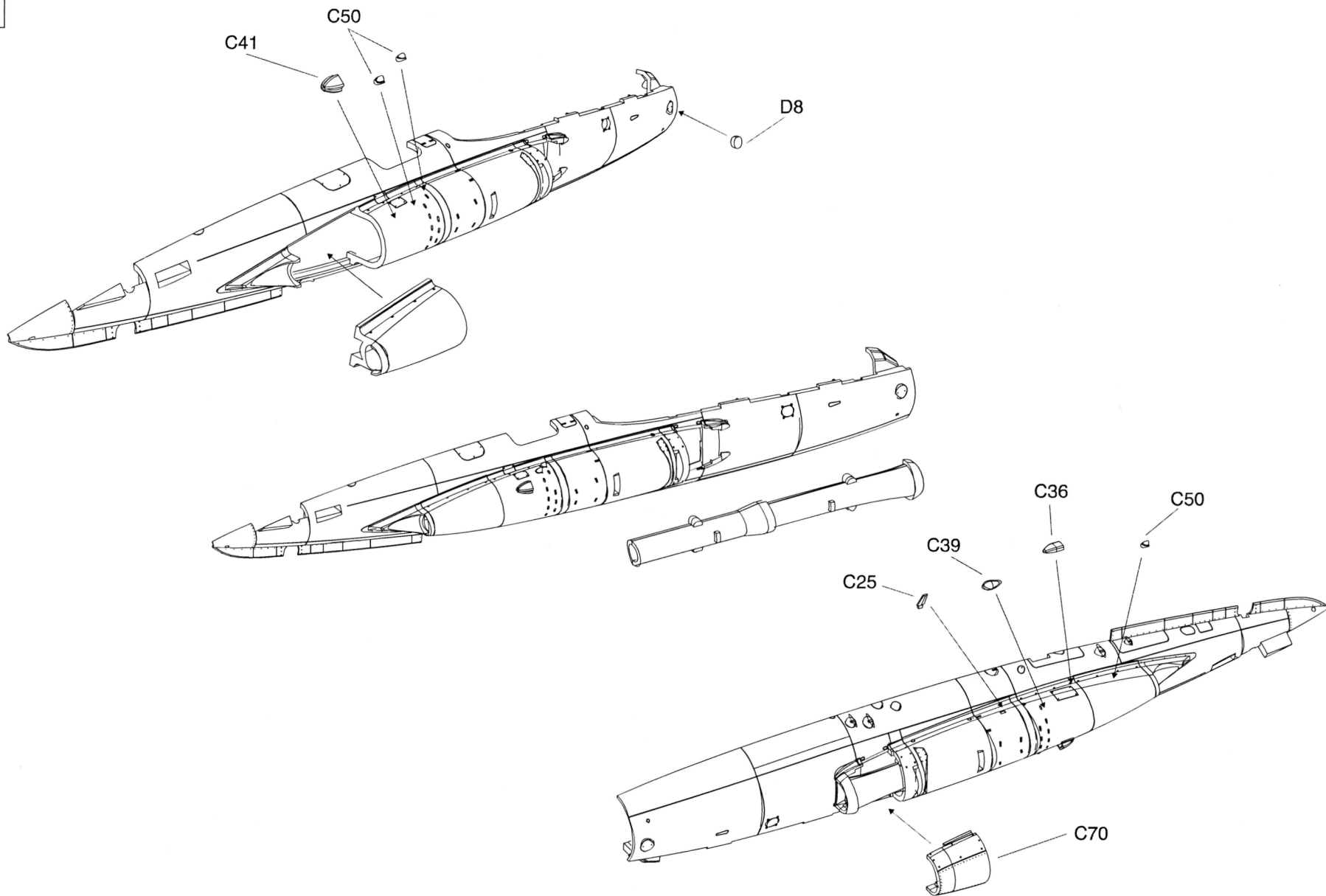
2



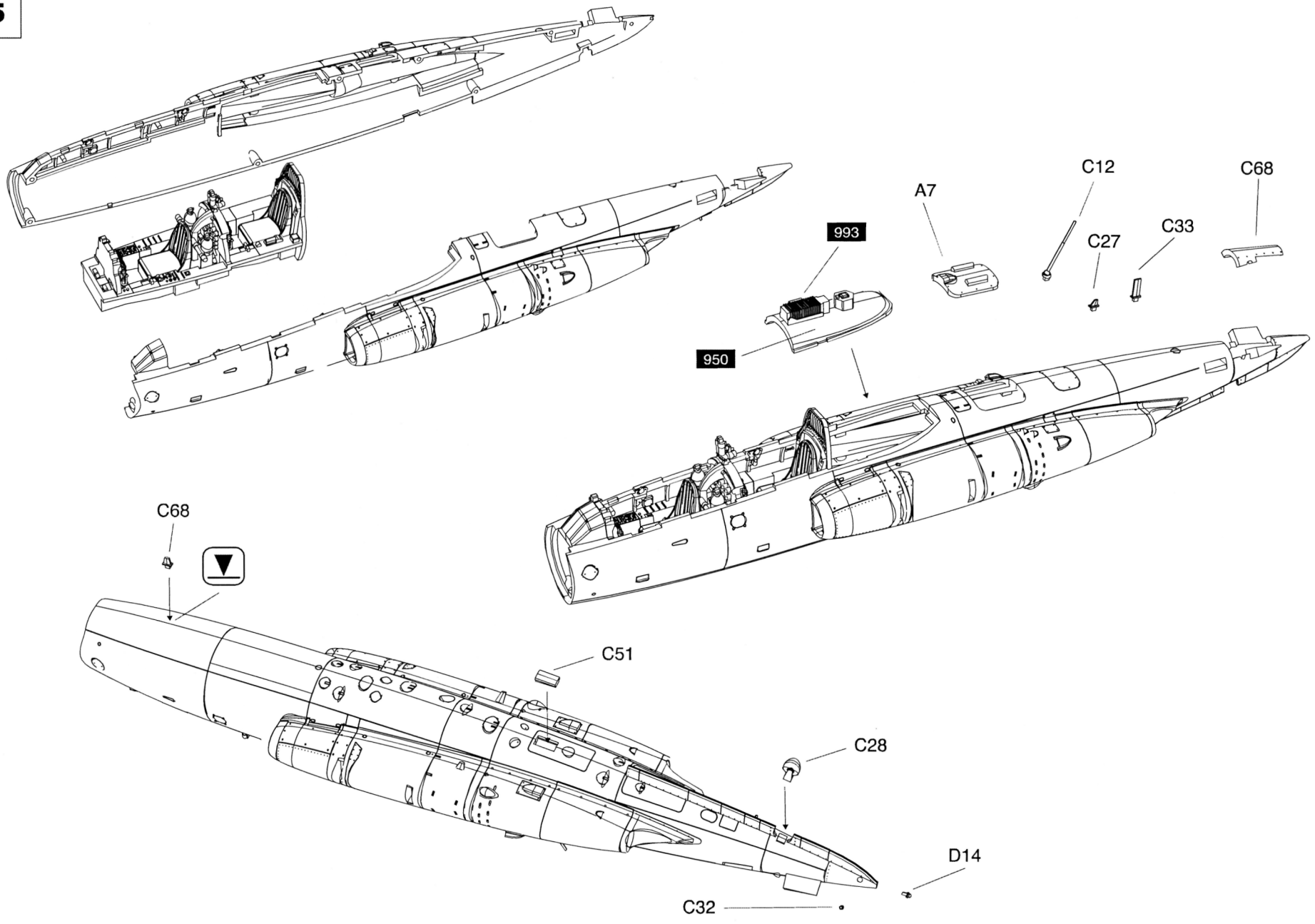
3



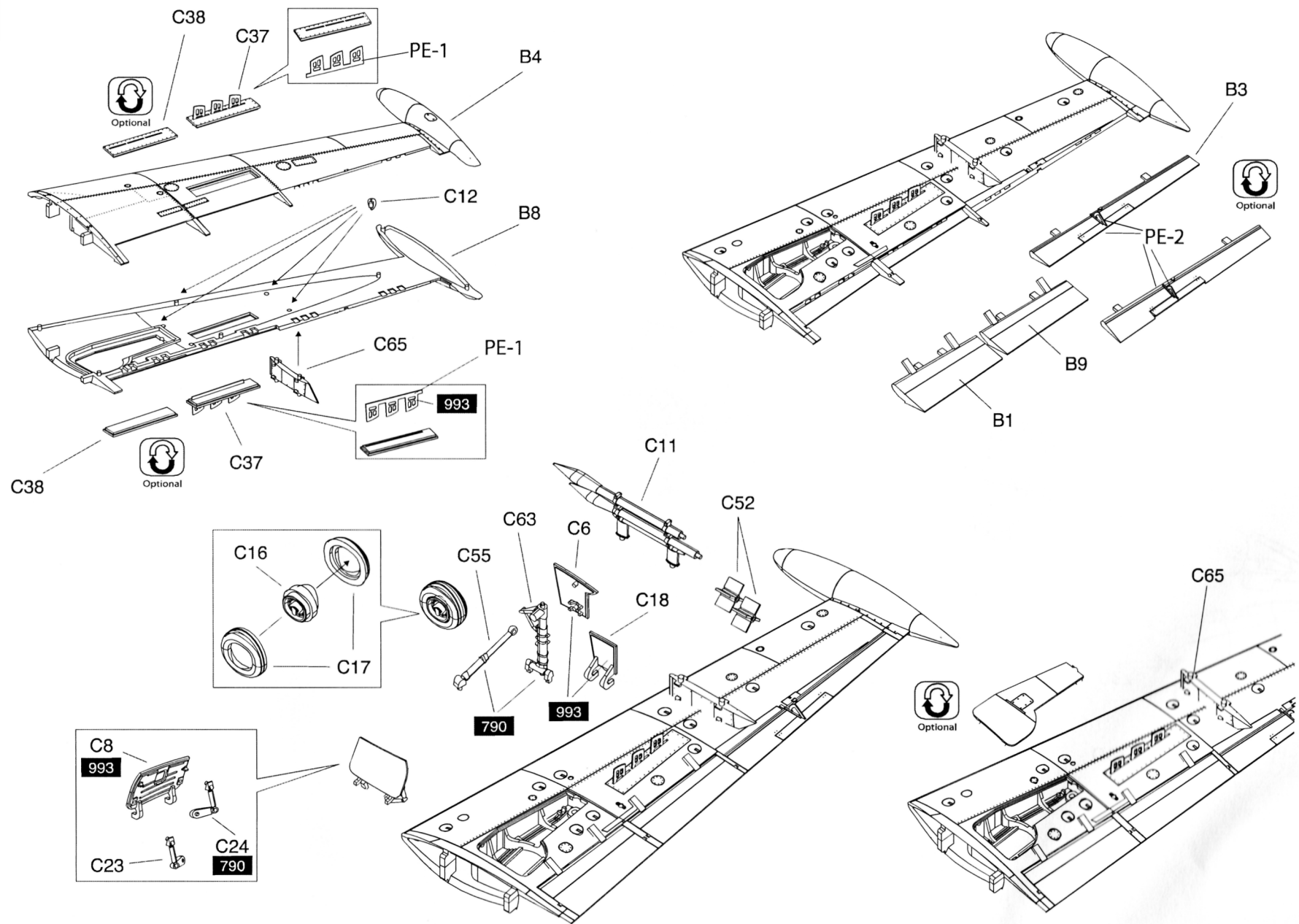
4



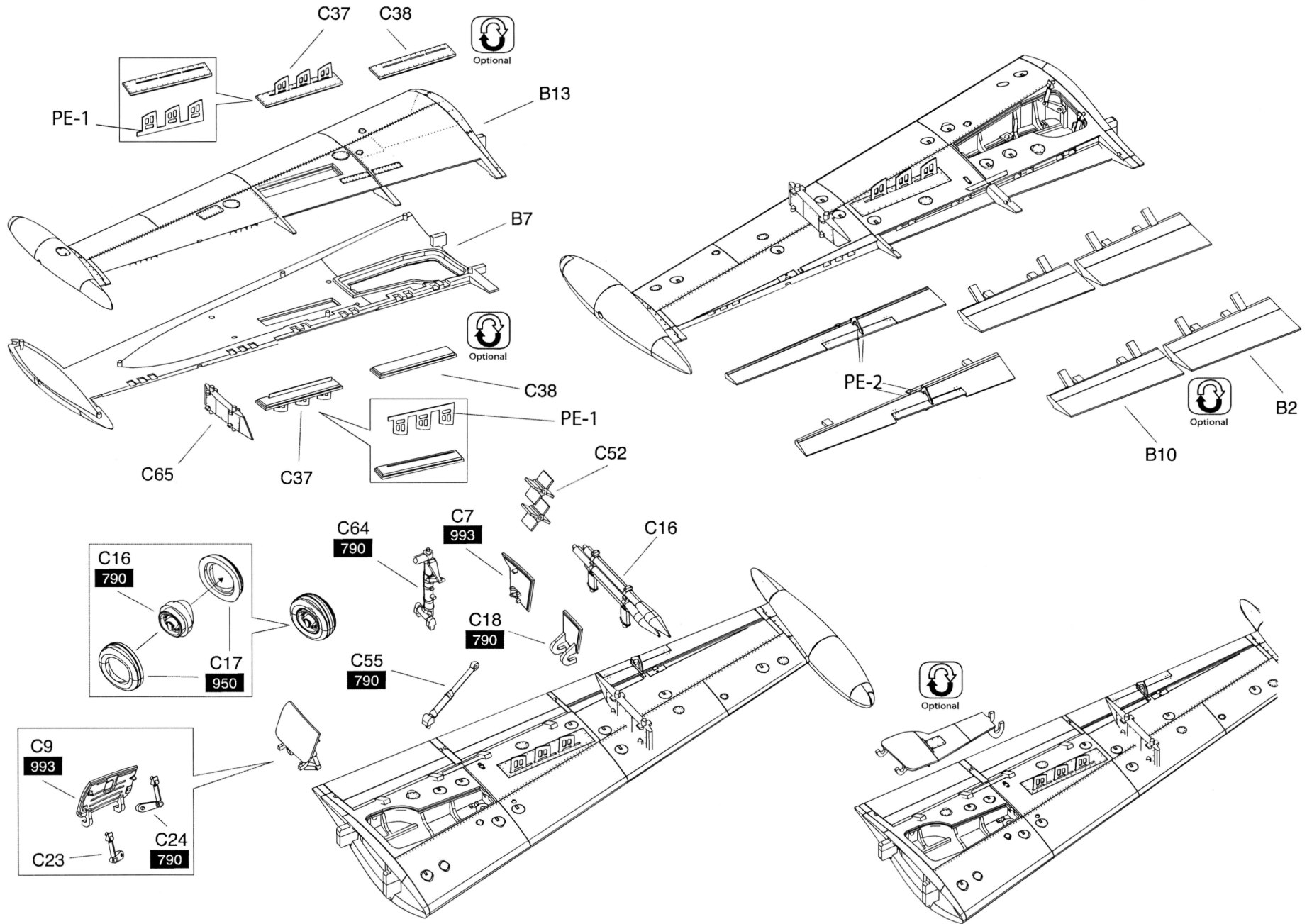
5



6

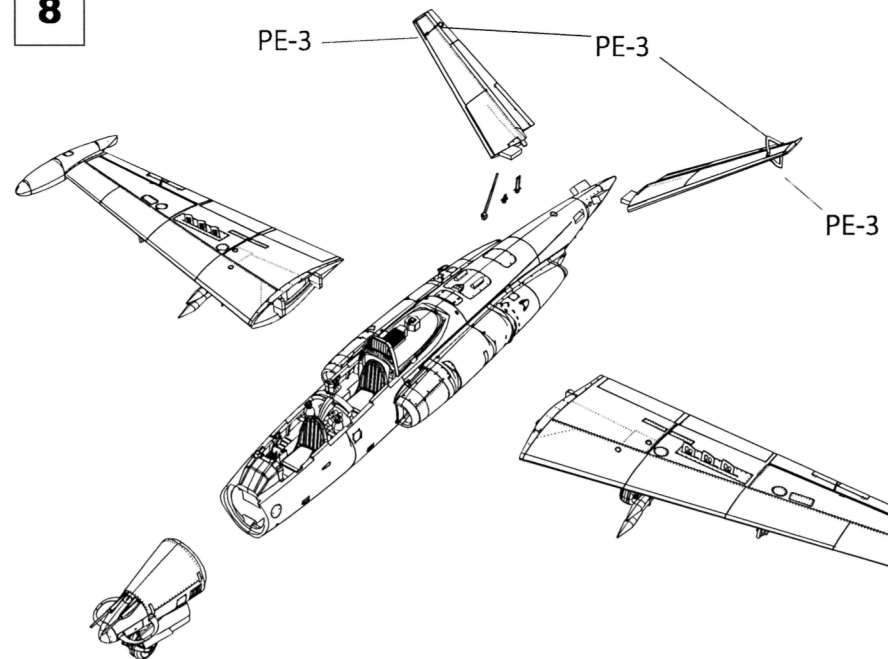


7

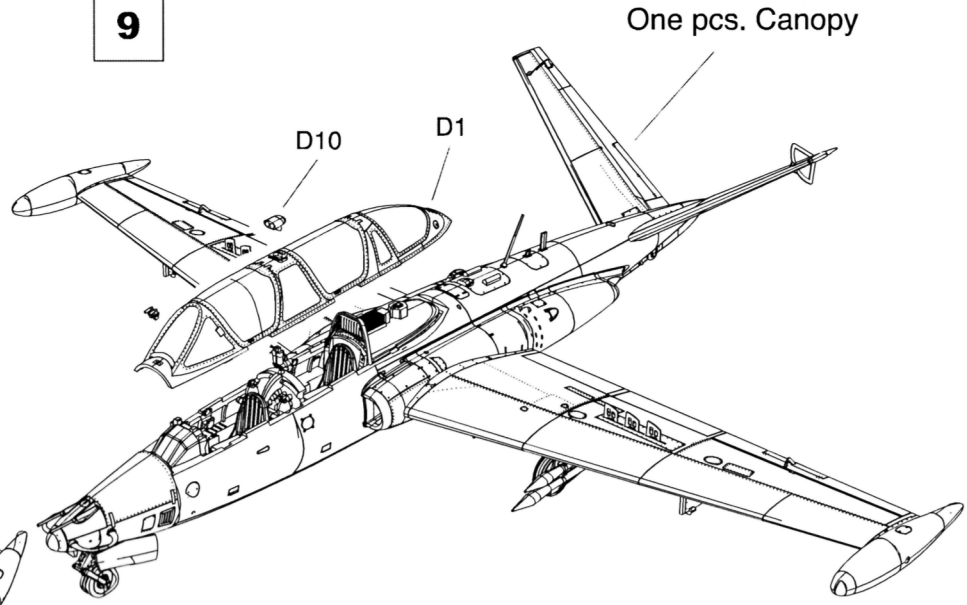


69

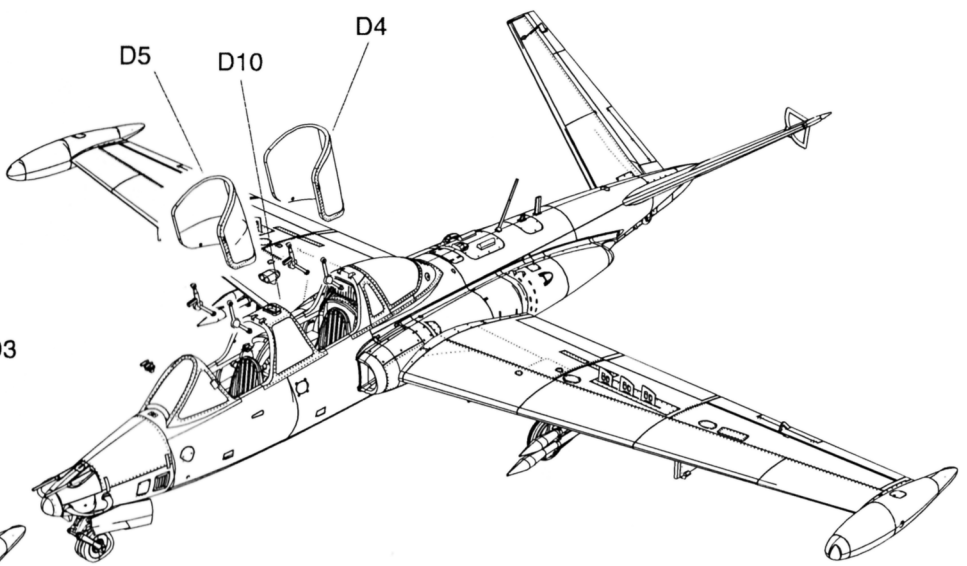
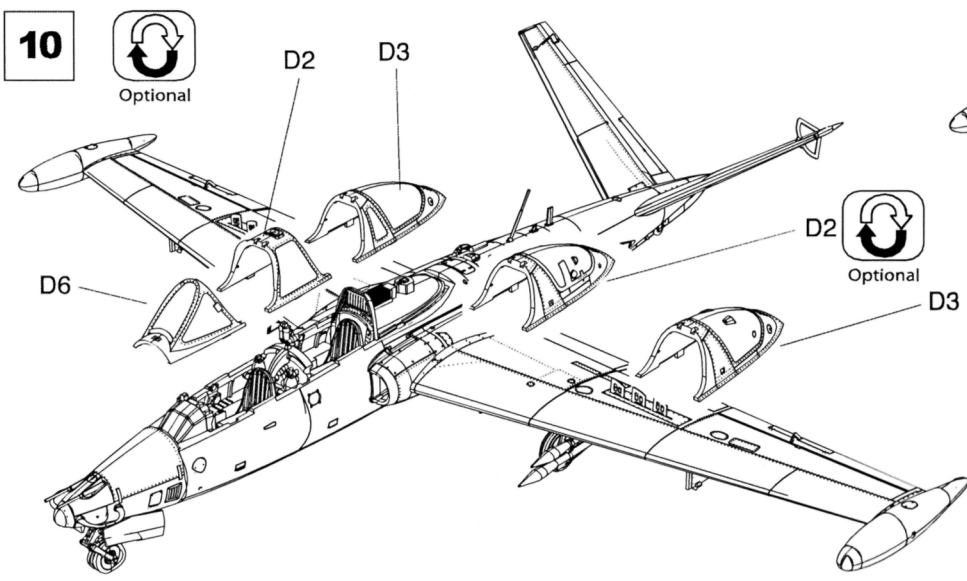
8



9



10



4D YL YE YD

1 2 3 4

4D YL YE YD

11 NICHT BETRETEN NICHT BETRETEN

10 9 VORSICHT GEFAHR VORSICHT GEFAHR

12 FOUGA CM 170 FOUGA CM 170

34

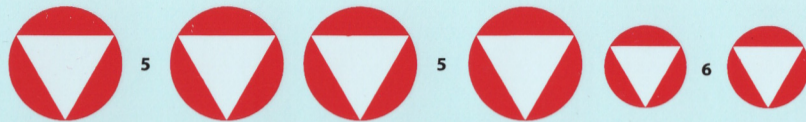
33 47



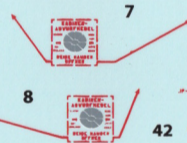
In corporation with



192 57 192



359 56 359



13

22 JP-4 TANKER

42

41

14 15 16 17

23

36

24

35

18 20

25

35

21

26

31

50 49 52 48 51

27

28

TRITT

30

46 45

Kinetic Model Kits

44 43

1/48 Fouga C.M. 170 R Magister - Österreich/Austria

40 39

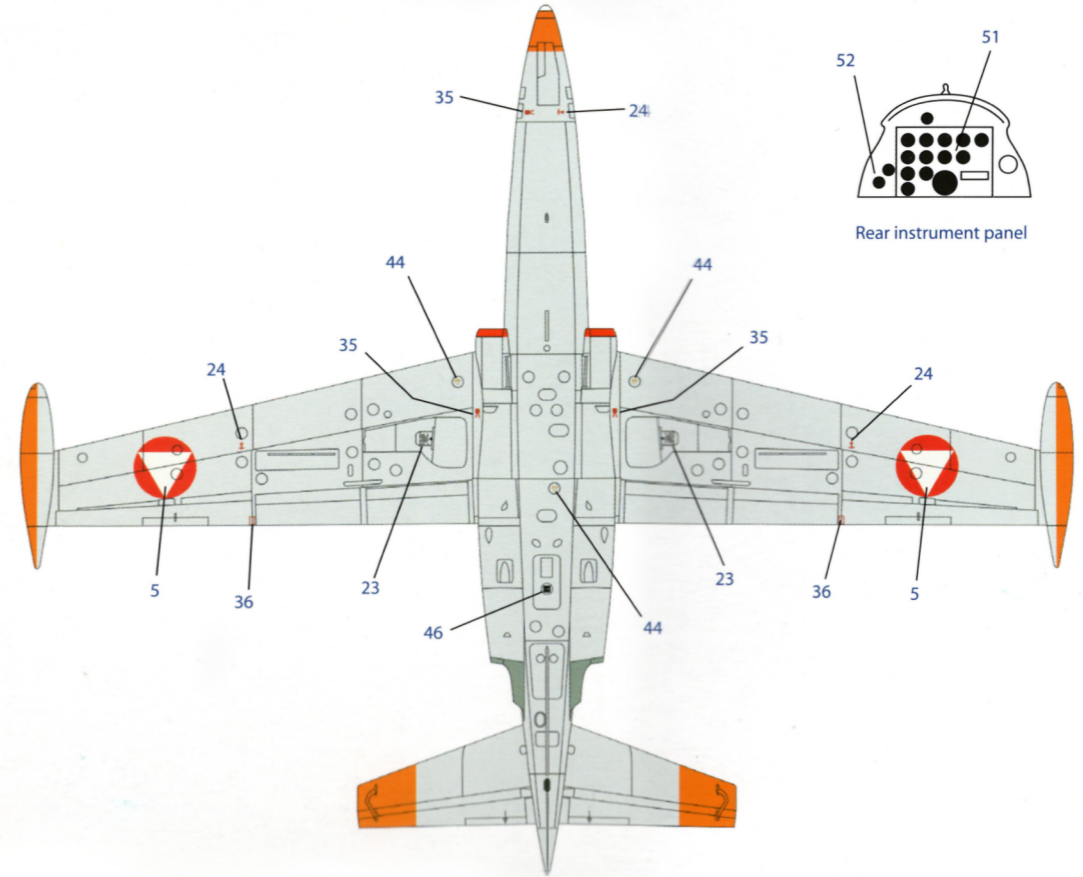
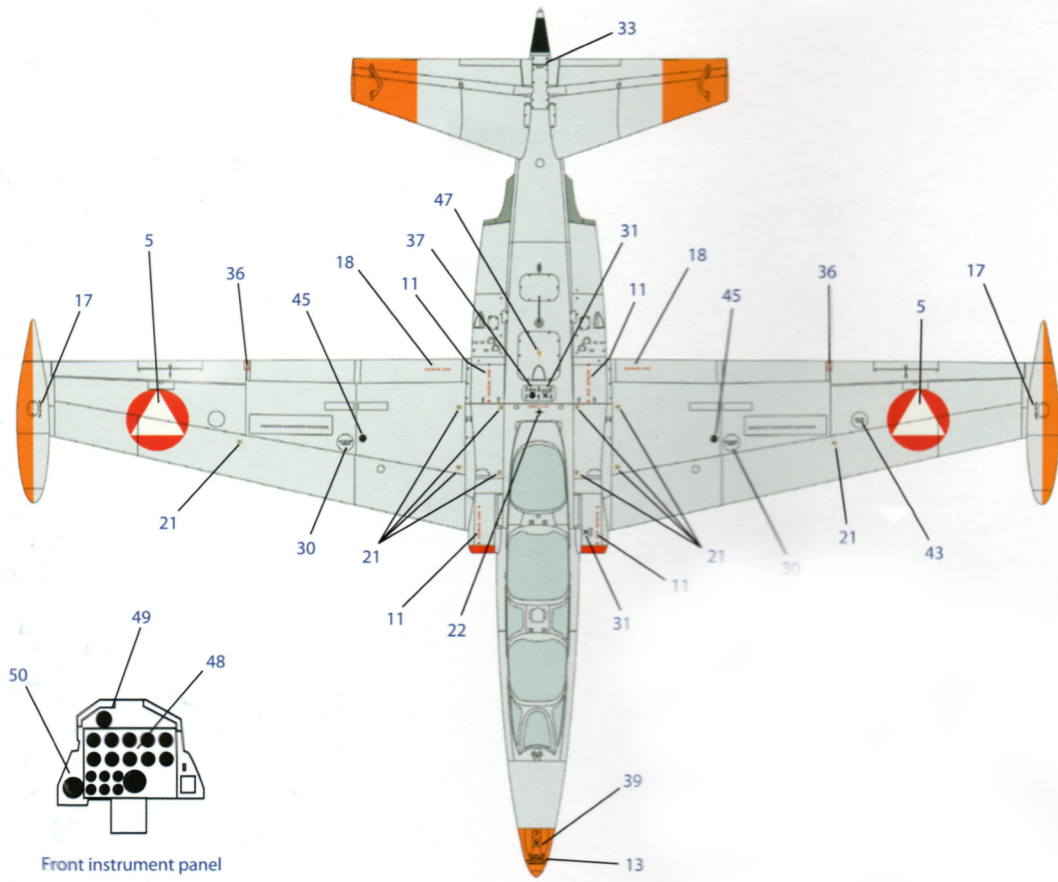
38 37


32

195 55 195

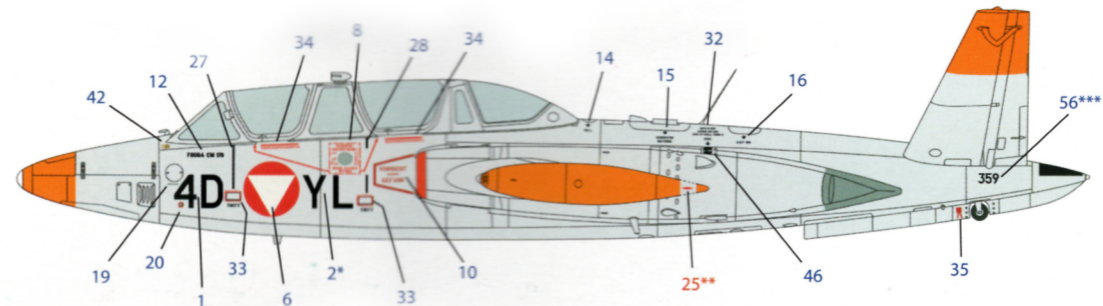
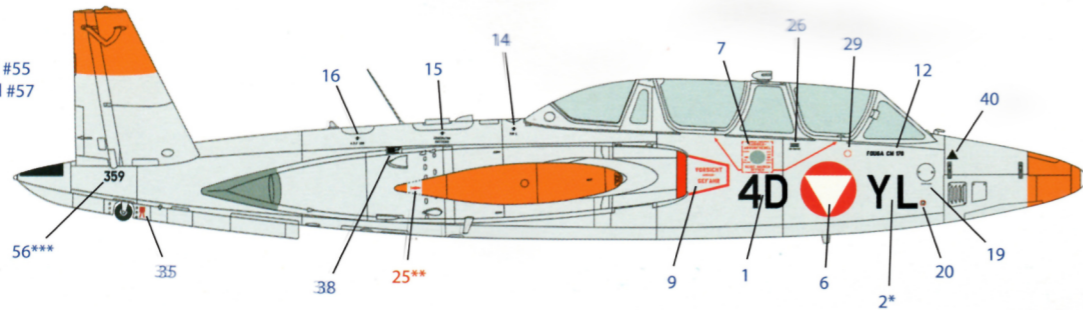
01-170-48059

Fouga C.M. 170R Magister 4D-YL, serial no. 359 – Austrian Air Force



-  Natural Metal
-  Dayglo RED
-  Black RAL 9005
-  Red RAL 3000

*** For 4D-YE use decal #55
For 4D-YD use decal #57



* For code 4D-YE use decal #3
For code 4D-YD use decal #4

** Decal 25 must be applied to the fuselage not the tank!