

# F-5B

## FREEDOM FIGHTER



### F-5B Freedom Fighter

The F-5B Freedom Fighter is part of a family of widely used light supersonic fighter aircraft, designed and built by Northrop. Although less complex and advanced than some contemporary aircraft such as the F-4 Phantom II, it was significantly cheaper to procure and operate, the type became a popular aircraft on the export market. It was perhaps the most effective air-to-air fighter possessed by the U.S. in the 1960s and early 1970s. Strengths included the aircraft's compact size, a high level of maneuverability, favorable flying qualities, a low accident rate, and a high sortie generation rate, led to hundreds of F-5s remaining in service into the 21st century.

The F-5B featured two seats for dual fighter/trainer duties.

The U.S. Air Force began accepting F-5Bs in March 1964. The F-5B became operational 4 months before the F-56A, with the 4441st COTS at Williams AFB.

Originally due to be phased out in April 1973, F-5B production was extended in May 1972 on the basis that future F-5E sales might boost FMS requirements for the F-5B trainer. By mid 1973, the Air Force had accepted 84 of 88 F-5Bs destined for the Military Assistance Program (Grant Aid).

#### CAUTION

\*Read carefully and fully understand the instructions before commencing assembly.

\*Keep out of reach of children. Children must not be allowed to put any parts in their mouths, or pull plastic bag over their heads.

\*When using adhesives and paints, please make sure not to use them in closed room or near the fire.

\*When assembling this kit, tools including knives are used. Extra care should be taken to avoid injury.

**WARNING: CONTAIN SMALL PARTS NOT FOR CHILDREN UNDER 14 YEARS OF AGE.**



Drill



Remove



2 Set



Bend



Optional



Decal



Super Glue



Fill Hole



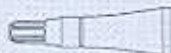
No Cement



Be Careful

#### TOOLS RECOMMENDED

Cement



Side Cutter



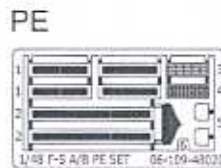
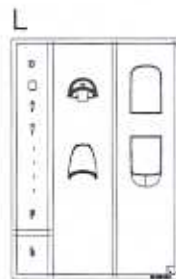
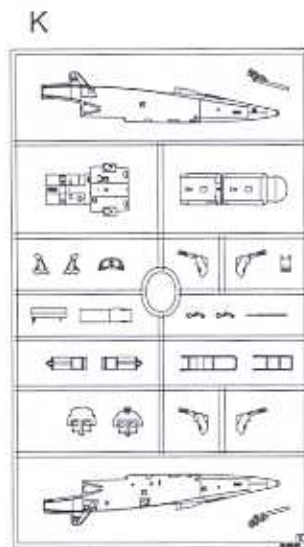
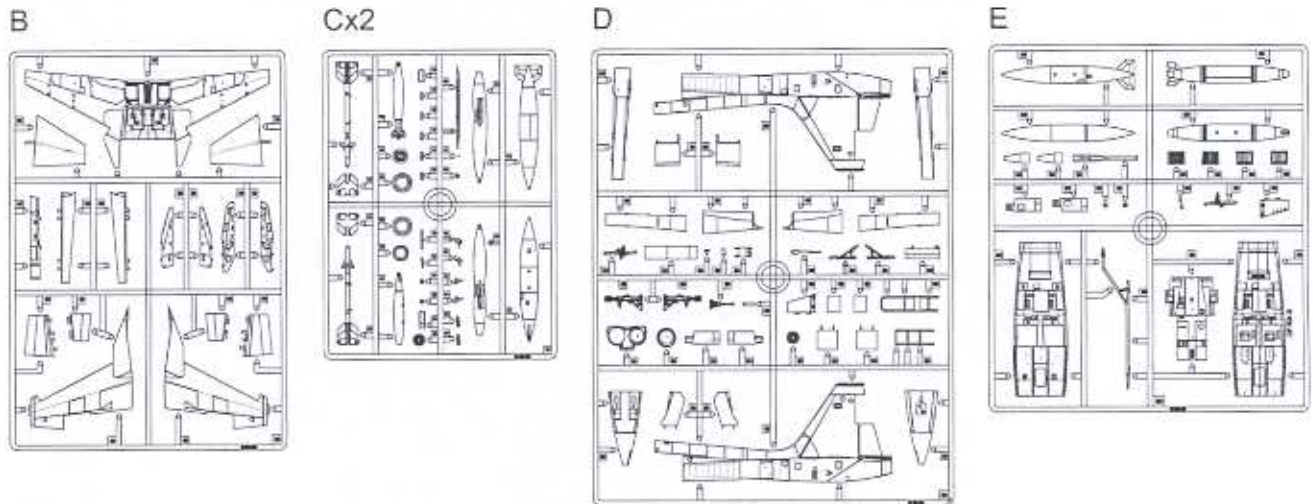
Modeling Knife



Tweezers






**AFTERMARKET SERVICES CARD**

When requesting replacement parts, please take or send this form to your local dealer so that the parts required can be correctly identified. Please note that specifications and availability are subject to change without notice.

or visit <http://www.kineticmodel.com> for latest information.  
 For more information, please contact [services@kineticmodel.com](mailto:services@kineticmodel.com)

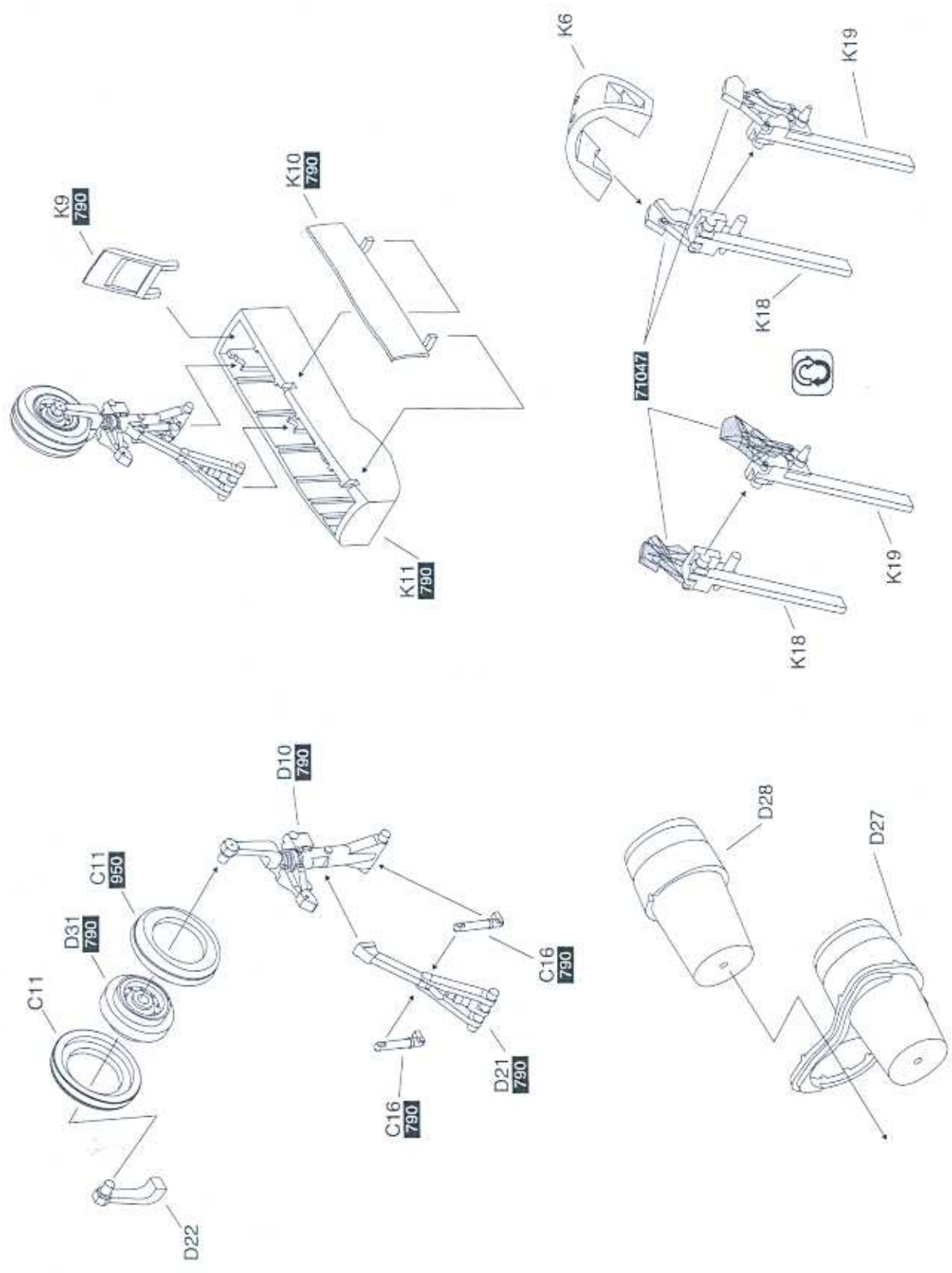
Part No.	Item 48021
00-109-002	B
00-109-003	C
00-109-004	D
00-109-005	E
00-109-011	K
00-109-012	L
01-109-48021	Decal
03-109-48021	Manual
06-109-48020	PE

**PAINT INDEX**

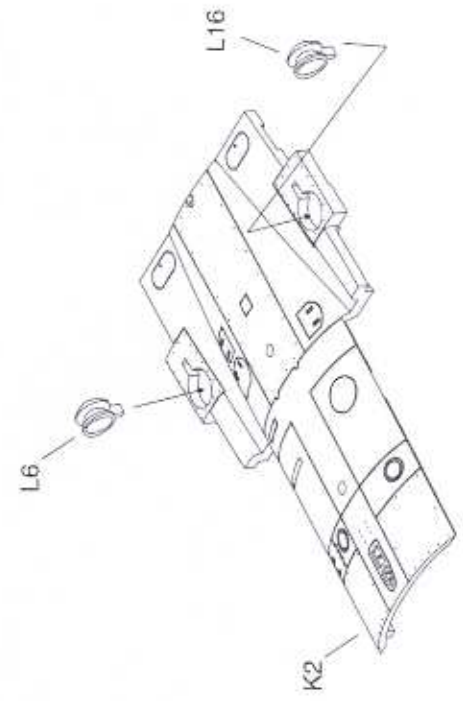
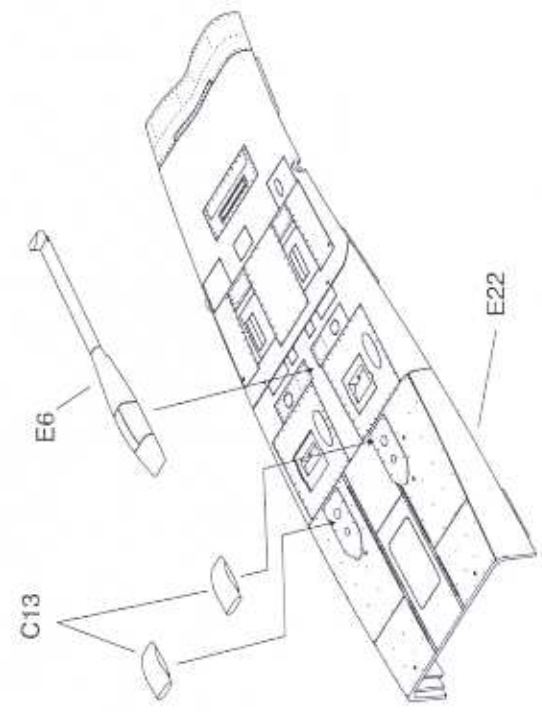
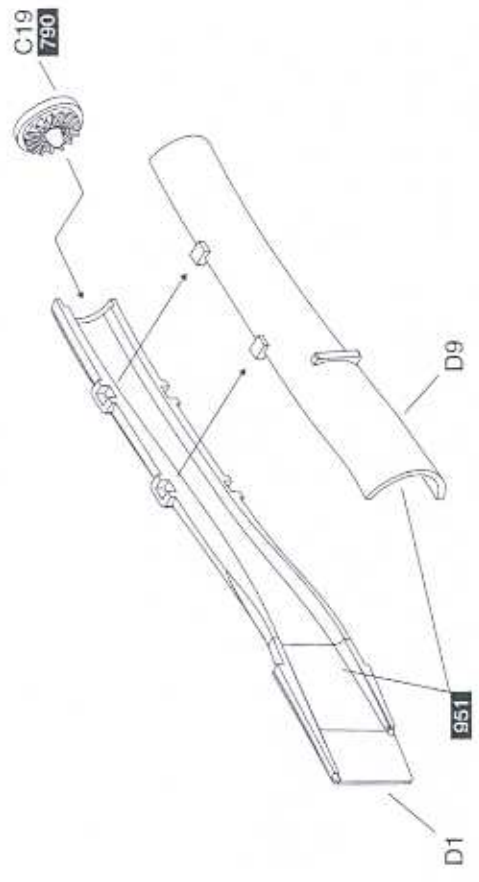
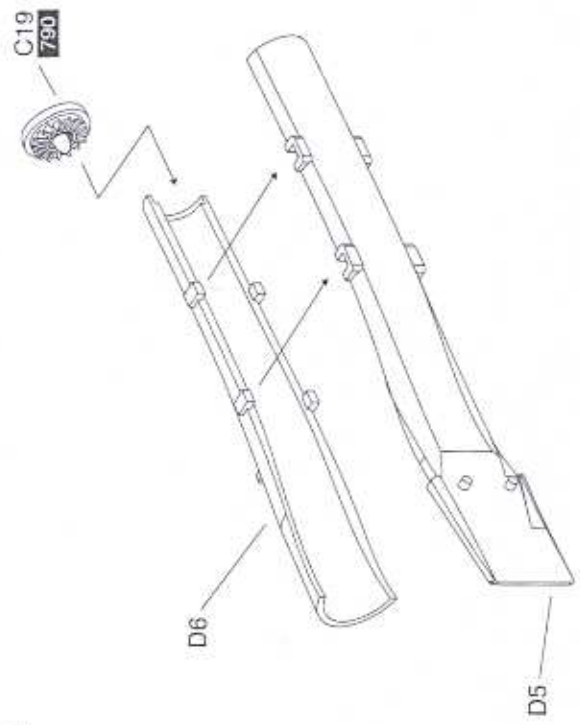
COLOR	VALLEJO MODEL COLOR	MODEL AIR	GSI CREOS MR. COLOR	ITALERI ARCYLCPAINT	HUMBROL ENAMEL	TAMIYA ENAMEL/ACRYLIC
FLAT BLACK	950	057	33	4768AP	33	XF-18
GLOSS WHITE	951	001	1	4696AP	34	X-2
CLEAR RED	934	-	47	-	1321	X-27
TAN (FS 30219)	-	71026	310	4305AP	119	-
DARK GREEN (FS 34079)	-	71092	303	-	117	-
FOREST GREEN (FS 34079)	-	71016	309	426AP	-	-
LIGHT GREY (FS 36622)	-	71045	311	4763AP	28	-
FLAT BLACK (FS37038)	-	71057	33	4768AP	133	-
SILVER (FS17178)	790	71064	8	4778AP	191	-
AIR SUPERIORITY BLUE (FS15450)	-	71046	73	-	30	XF-61
BLUE (FS 35488)	-	-	323	-	-	-
BLUE (FS 35630)	-	-	324	-	-	-
Gray (FS 36293)	836	-	307	-	-	-
Field Drab (FS 30118)	-	71029	22	-	5	-
Middlestone (FS 33531)	-	71075	313	-	121	-
Green (FS 34258)	-	71096	312	-	120	-
Red (FS 11302)	-	71085	79	-	93	-
Yellow Oliver (RAL 6014)	-	71017	120	-	-	-
Basalt Gray (RAL 7012)	-	71052	37	-	-	-
Silver Gray (RAL 7001)	-	71051	334	-	167	-
Dark Gray (FS 36118)	-	71053	305	-	125	-
Gray (FS 36320)	-	71047	307	-	126	-
Gray (FS 36270)	-	71048	306	-	64	-
Blue Grey (FS 35237)	-	71049	337	-	145	-

950 denotes Vallejo Model Color

1

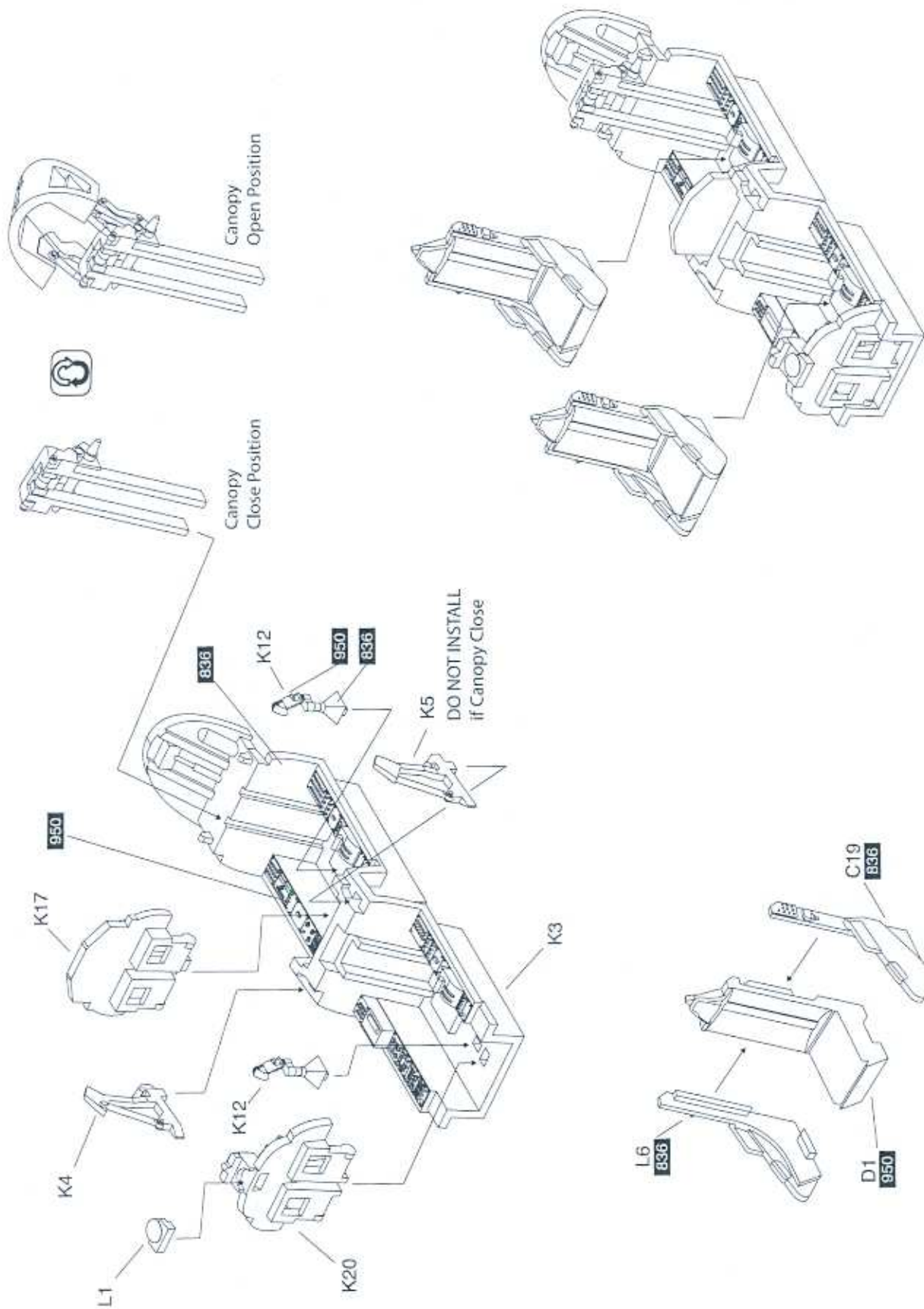


2

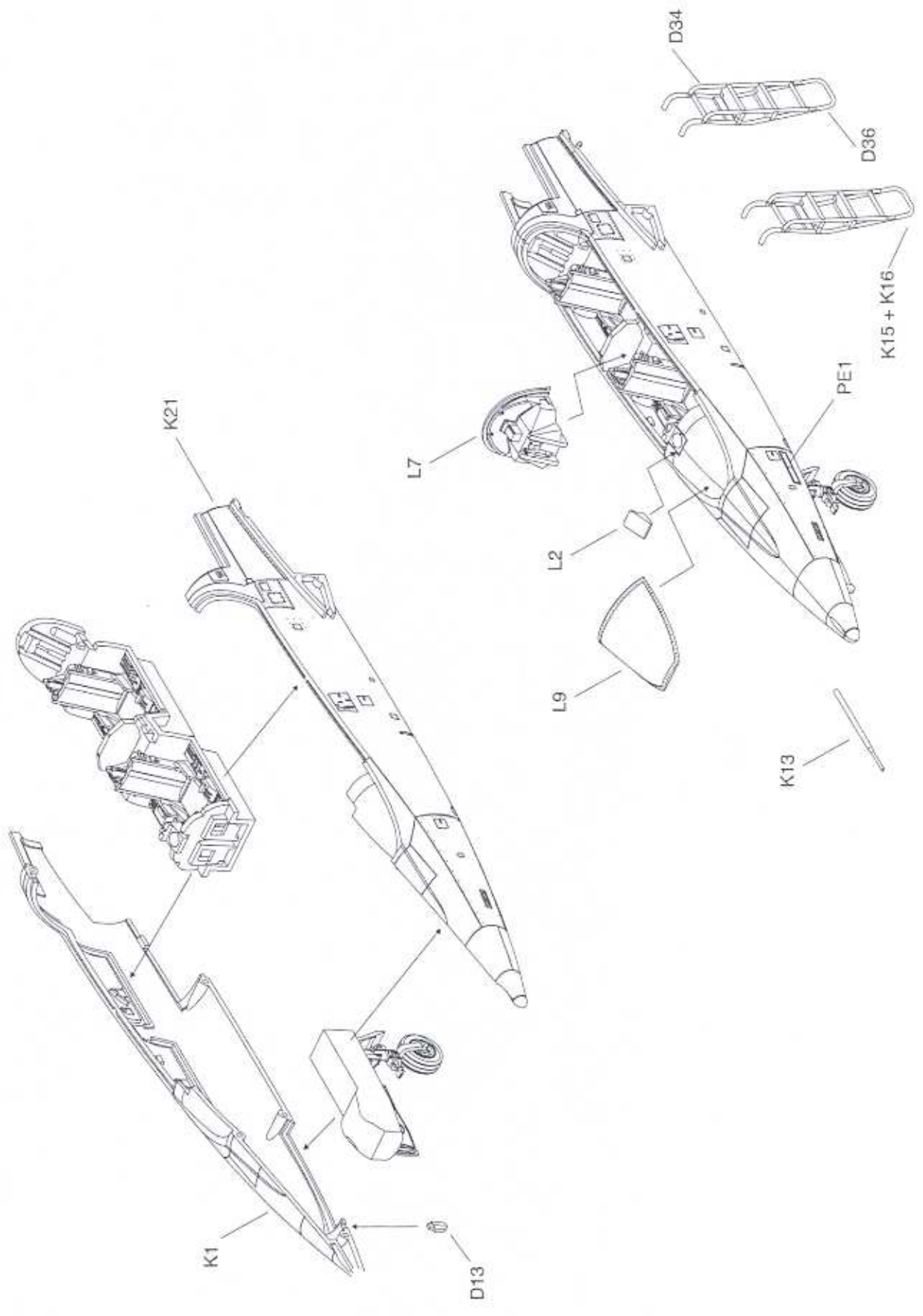


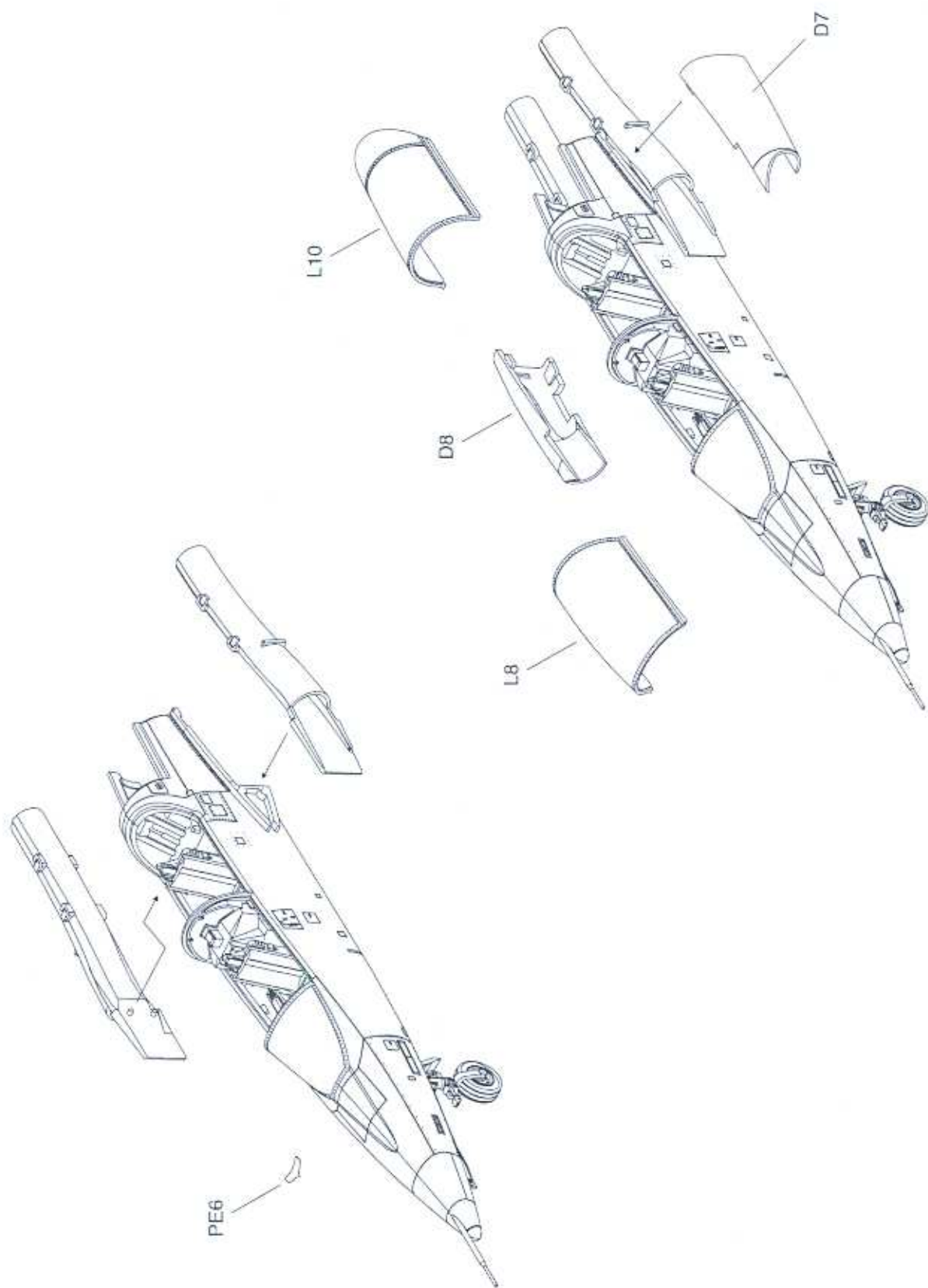


3



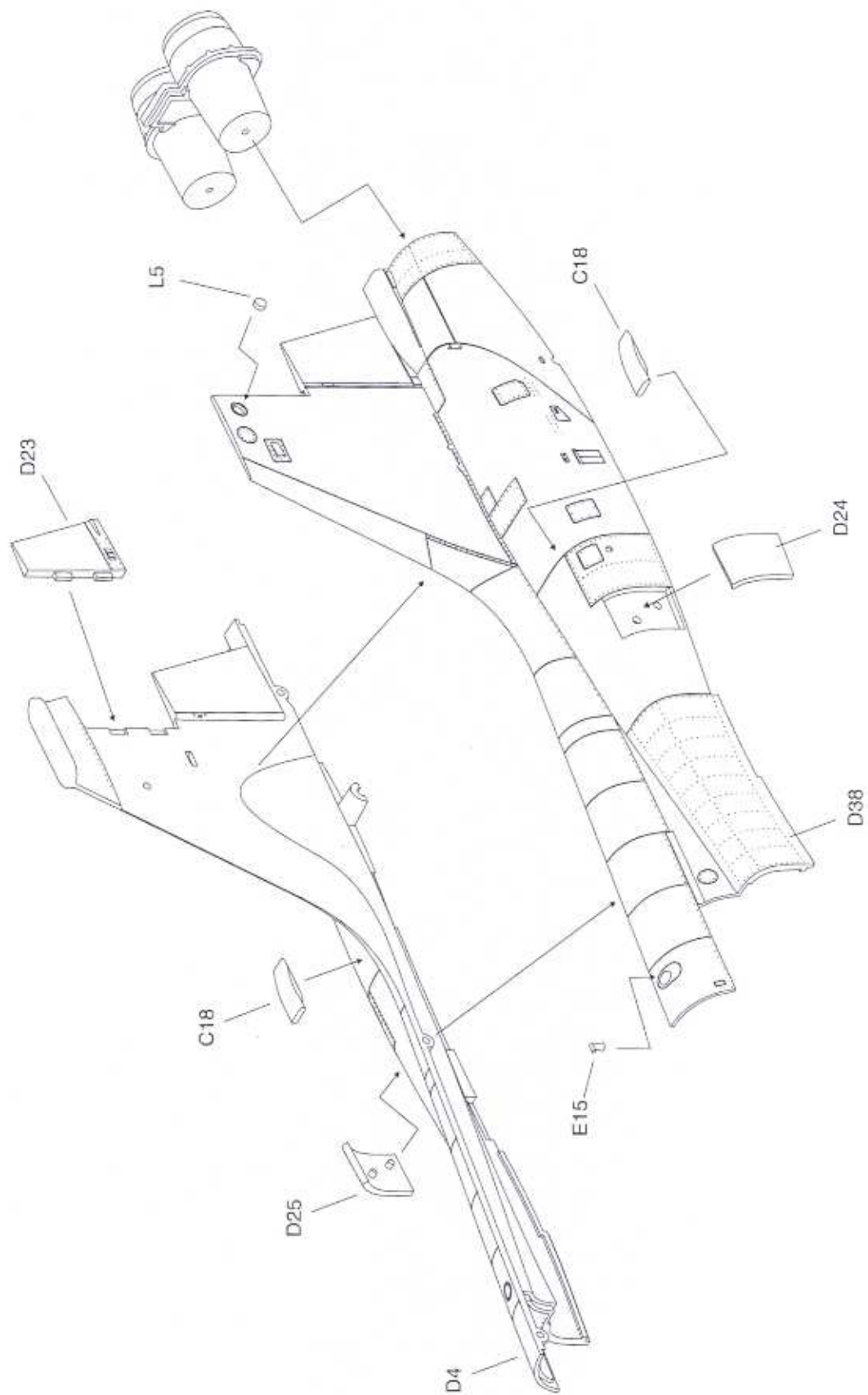
4



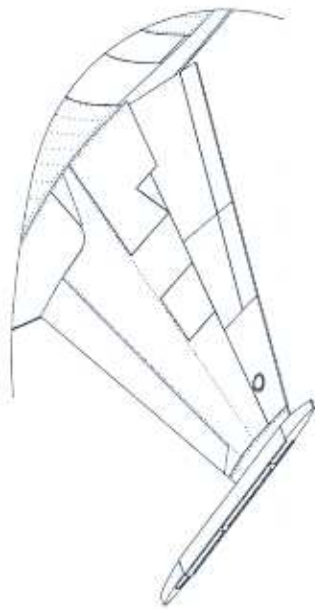


5

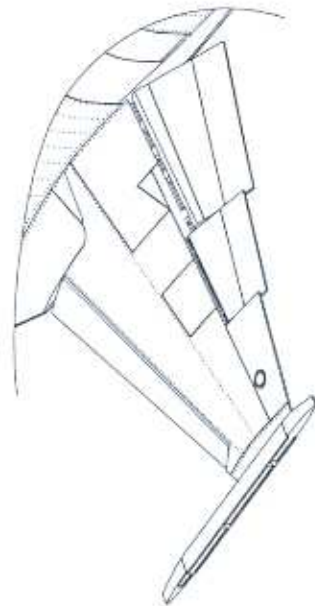
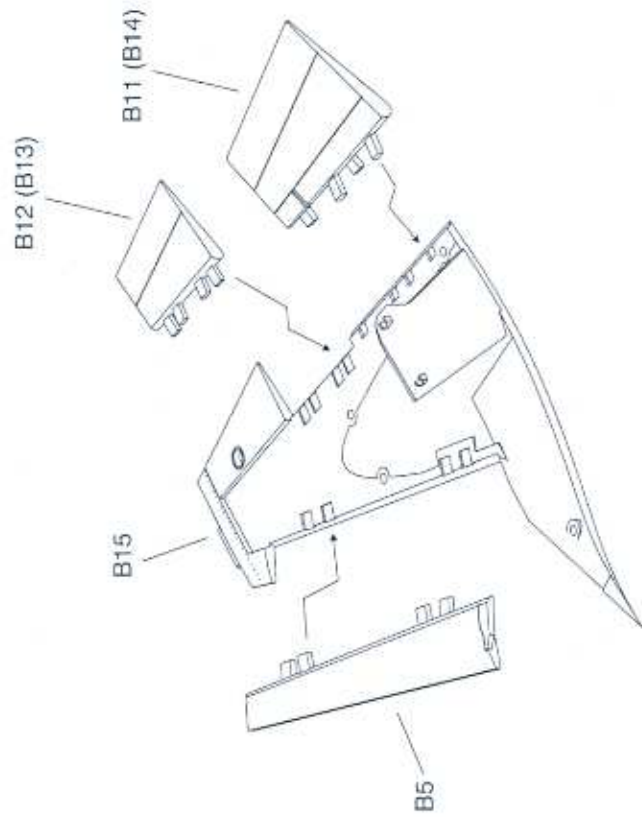
6



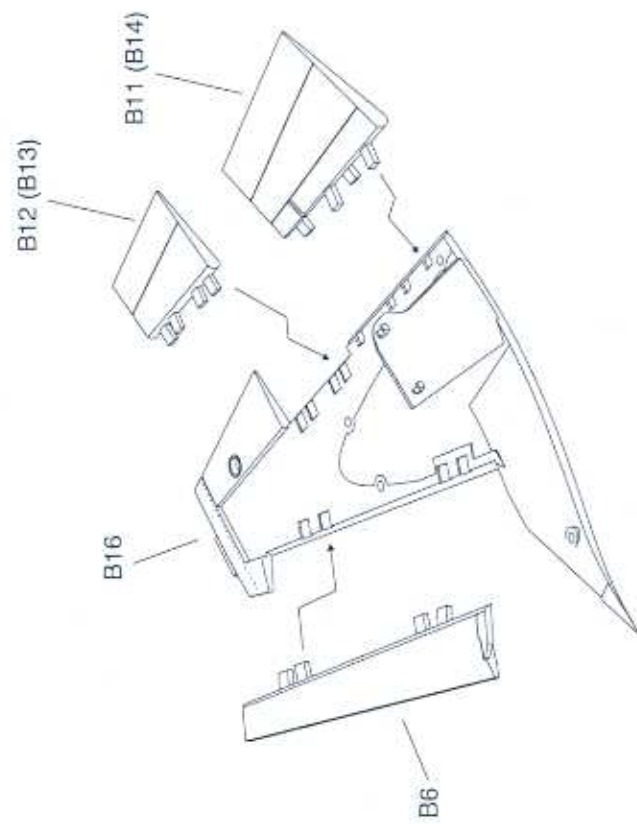


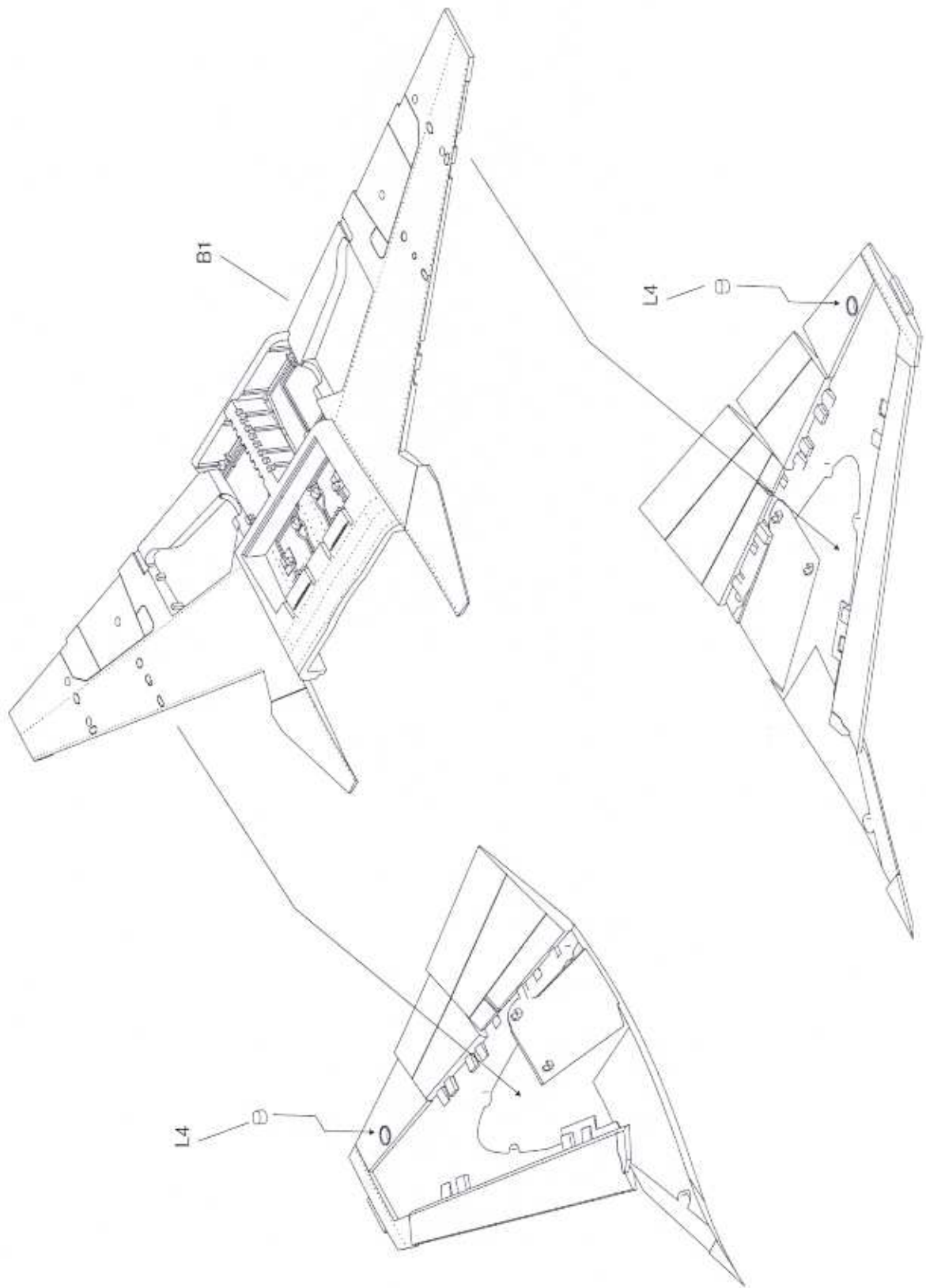


Flat Up



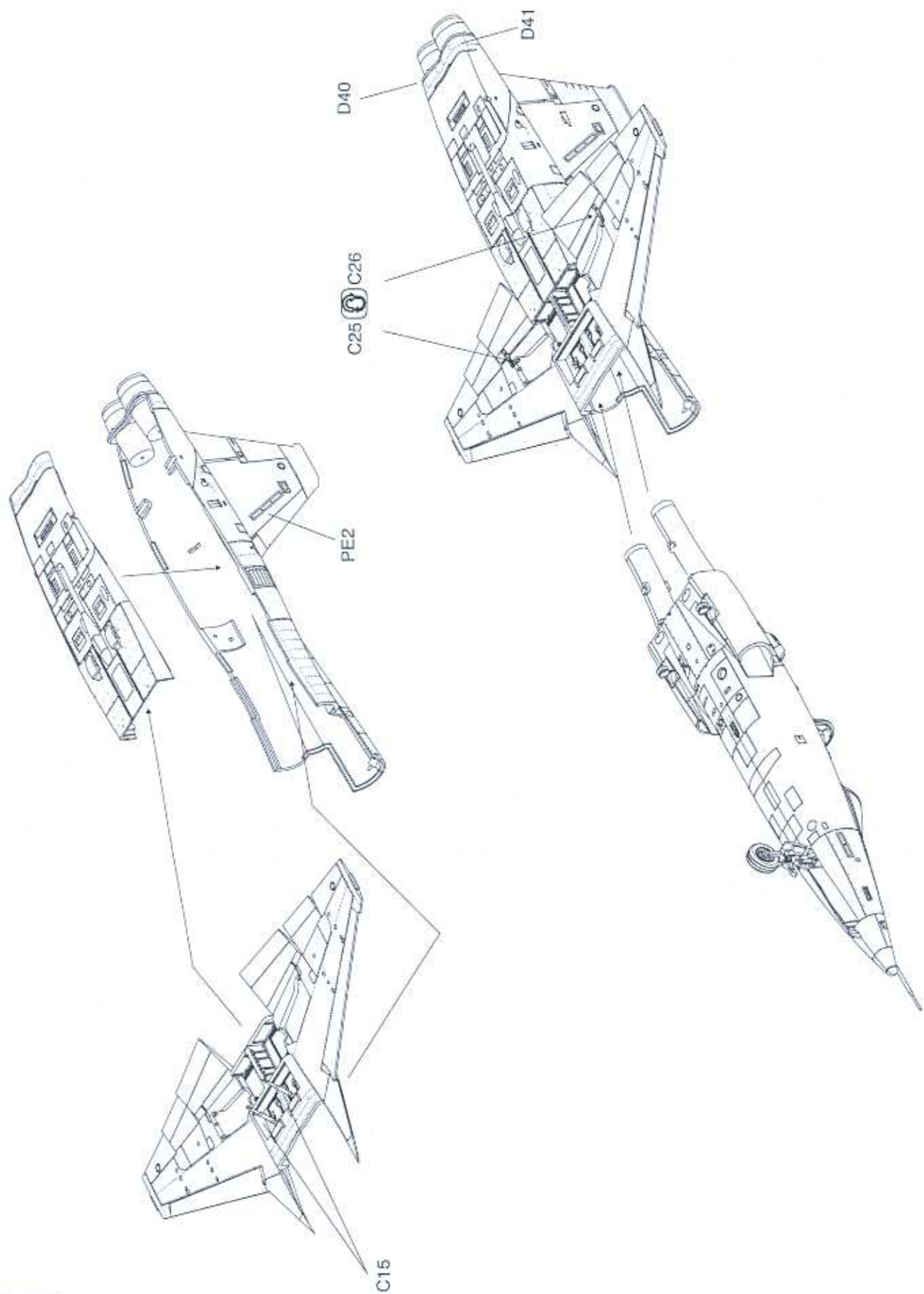
Flat Down





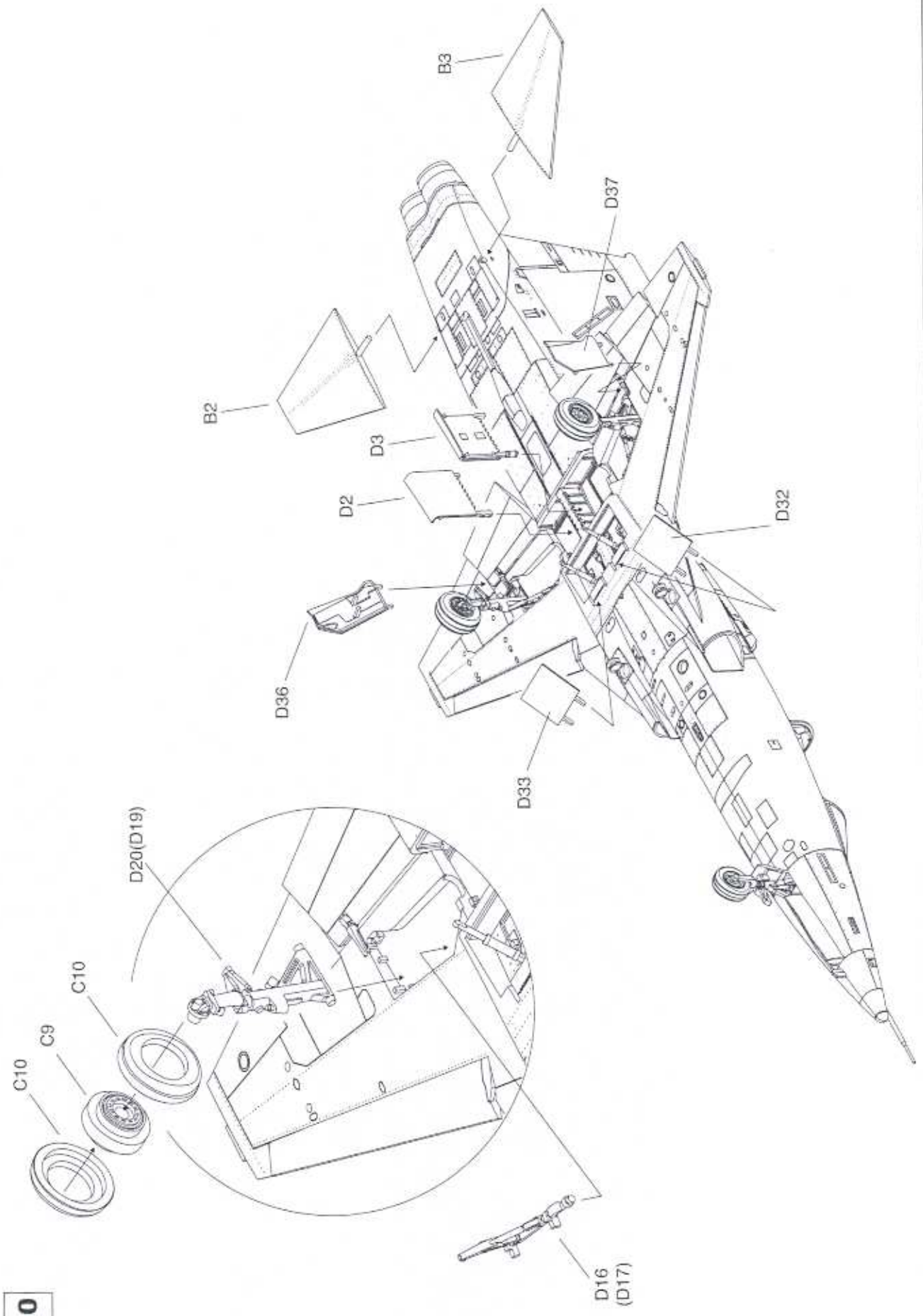
8

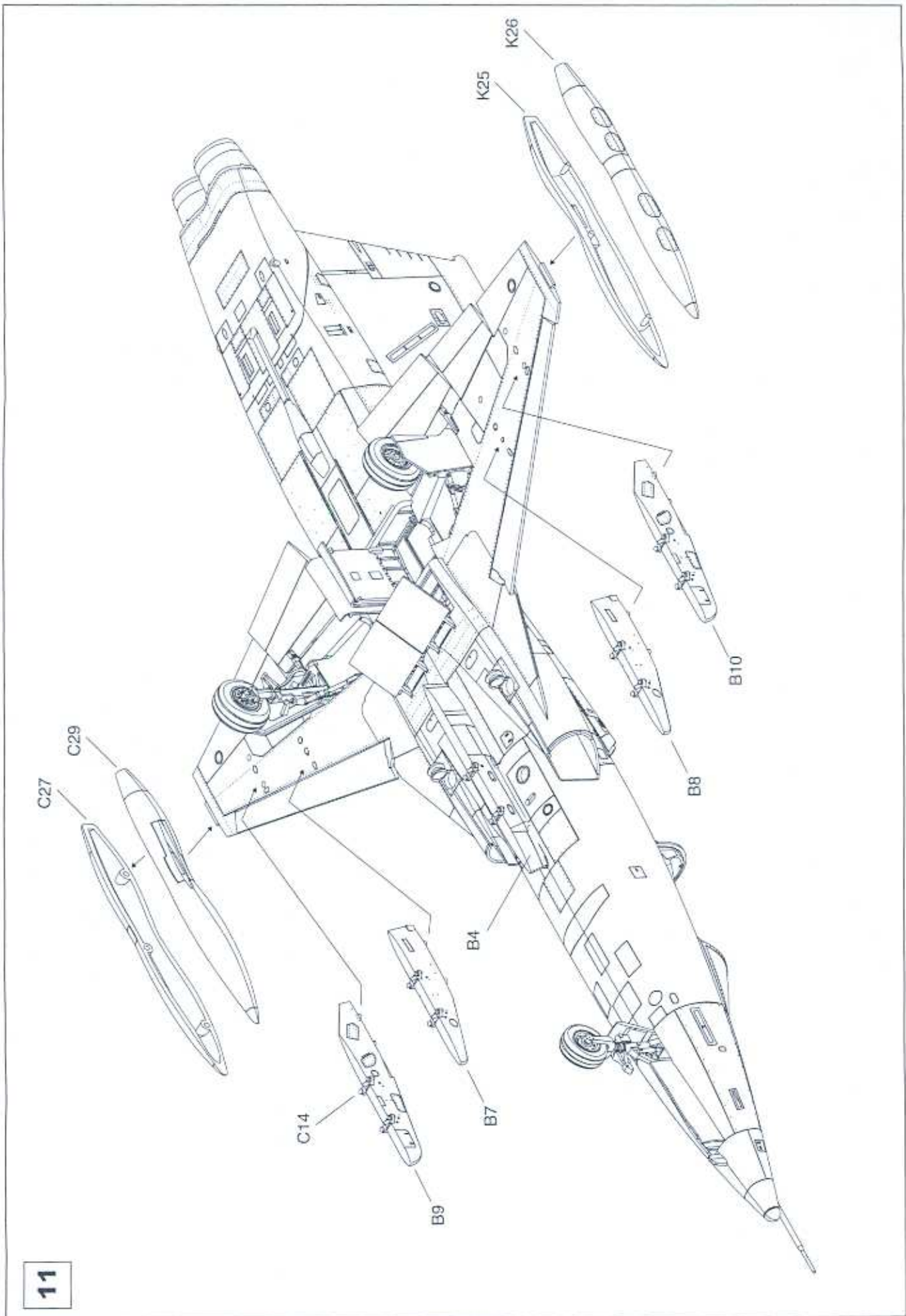
9

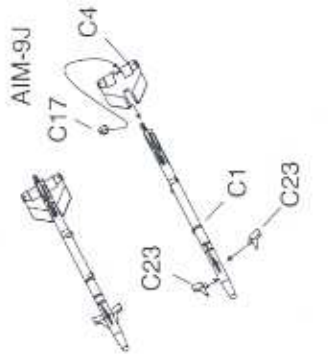
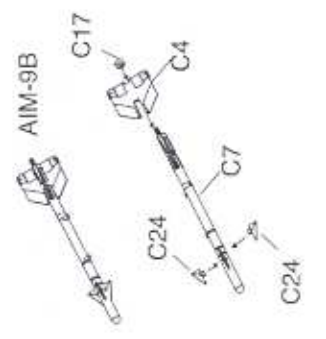
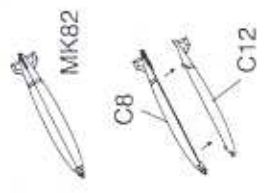
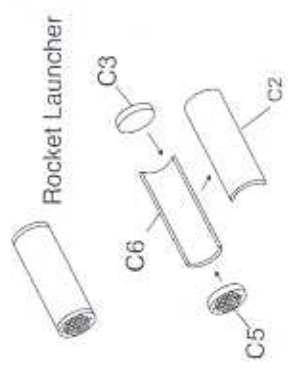
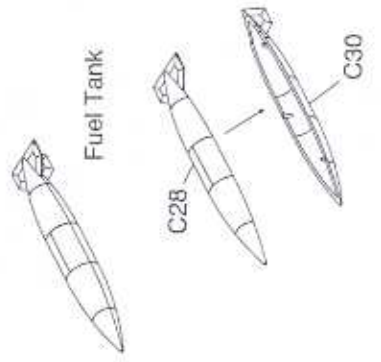
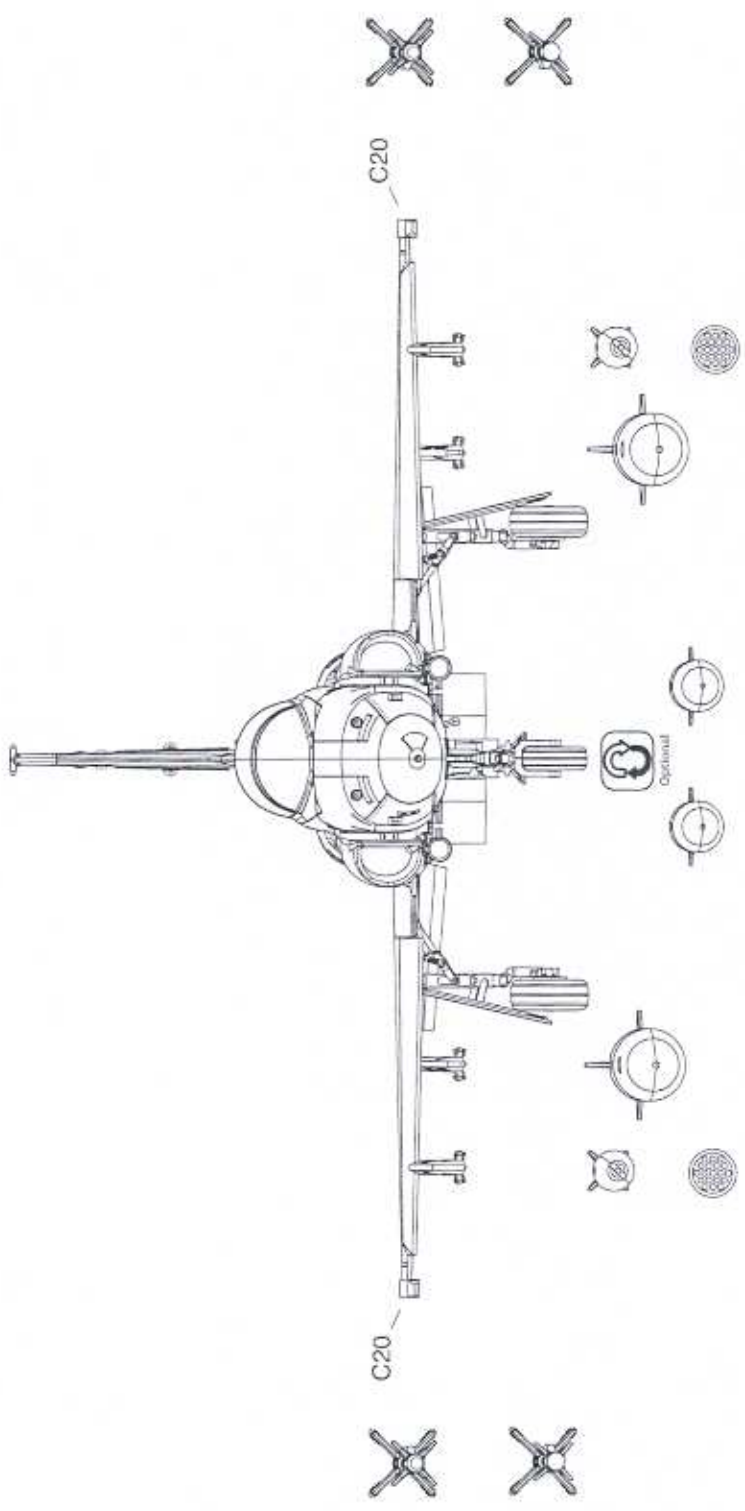




10



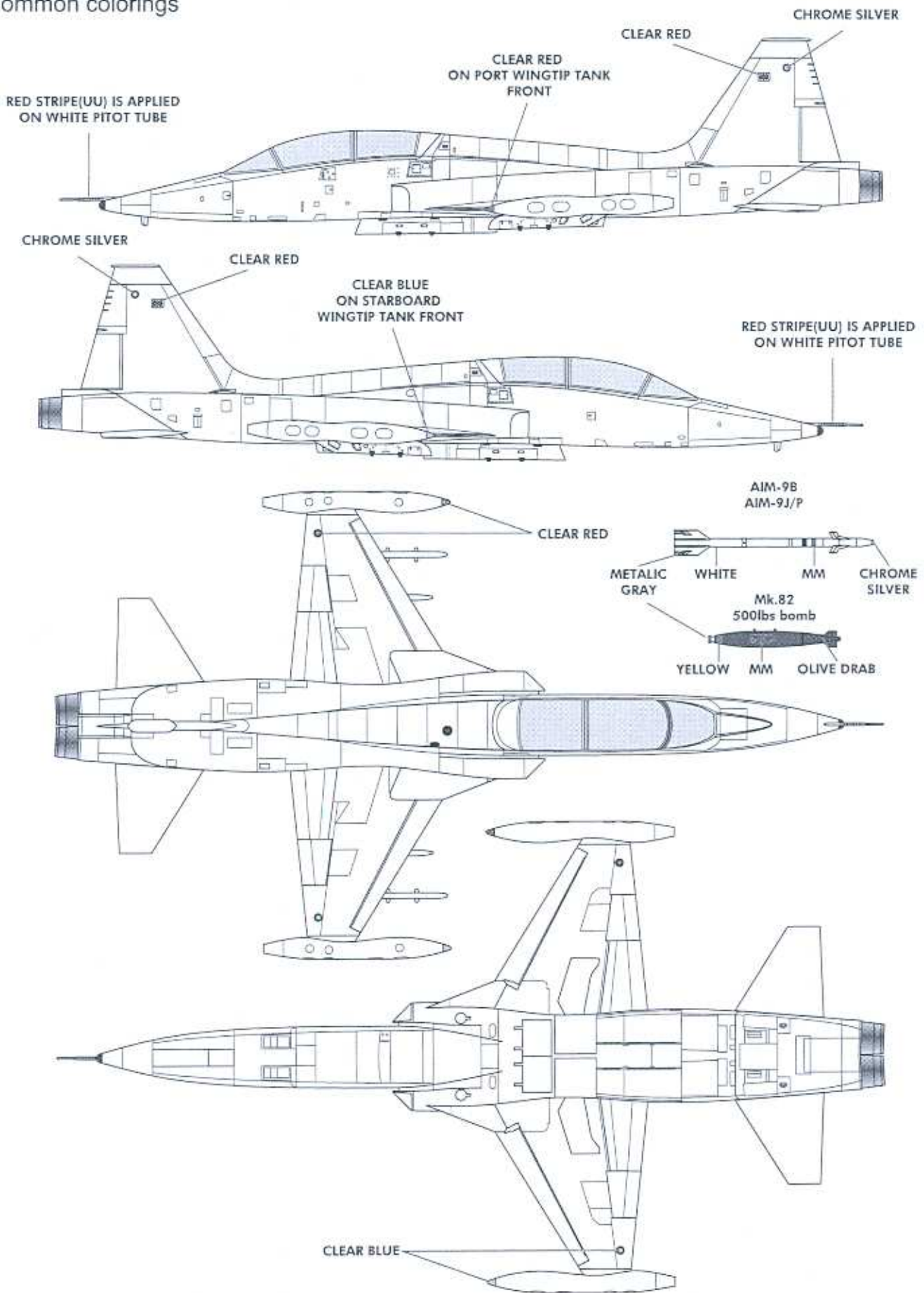






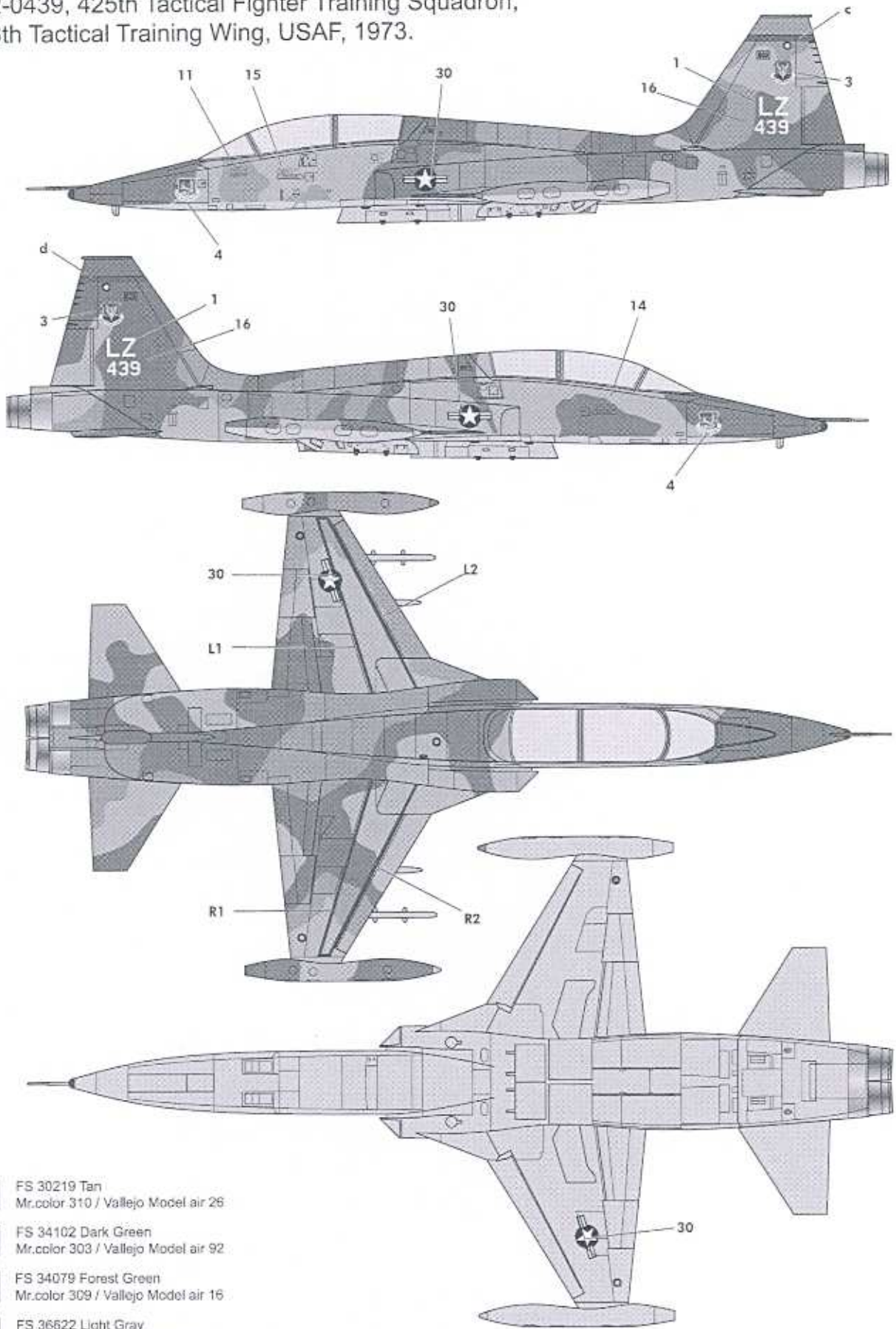
**1/48 SCALE AIRCRAFT SERIES NO: K48021**

Common colorings



**1/48 SCALE AIRCRAFT SERIES NO: K48021**

1. 72-0439, 425th Tactical Fighter Training Squadron,  
58th Tactical Training Wing, USAF, 1973.

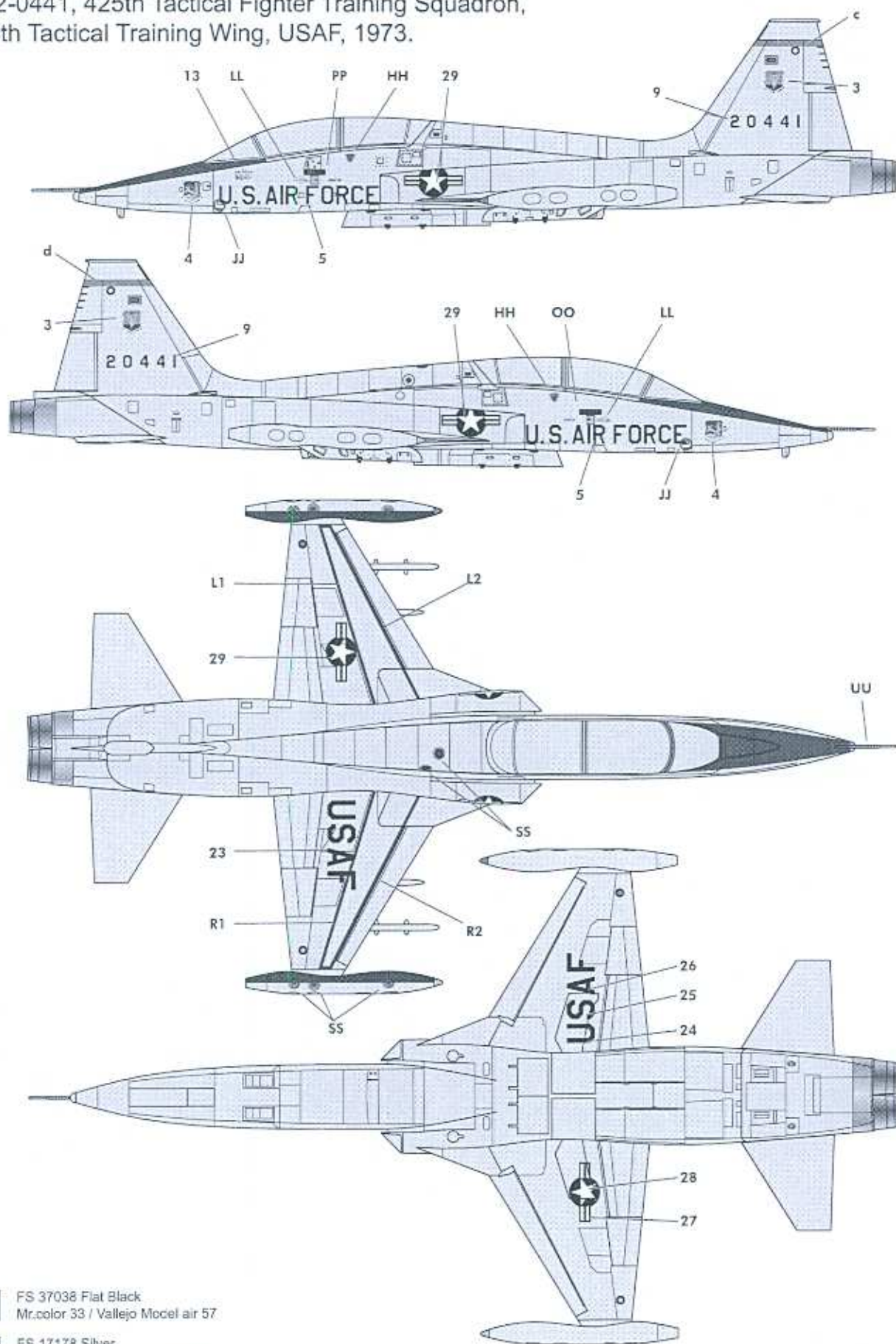


- FS 30219 Tan  
Mr.color 310 / Vallejo Model air 26
- FS 34102 Dark Green  
Mr.color 303 / Vallejo Model air 92
- FS 34079 Forest Green  
Mr.color 309 / Vallejo Model air 16
- FS 36622 Light Gray  
Mr.color 311 / Vallejo Model air 45



**1/48 SCALE AIRCRAFT SERIES NO: K48021**

2. 72-0441, 425th Tactical Fighter Training Squadron,  
58th Tactical Training Wing, USAF, 1973.

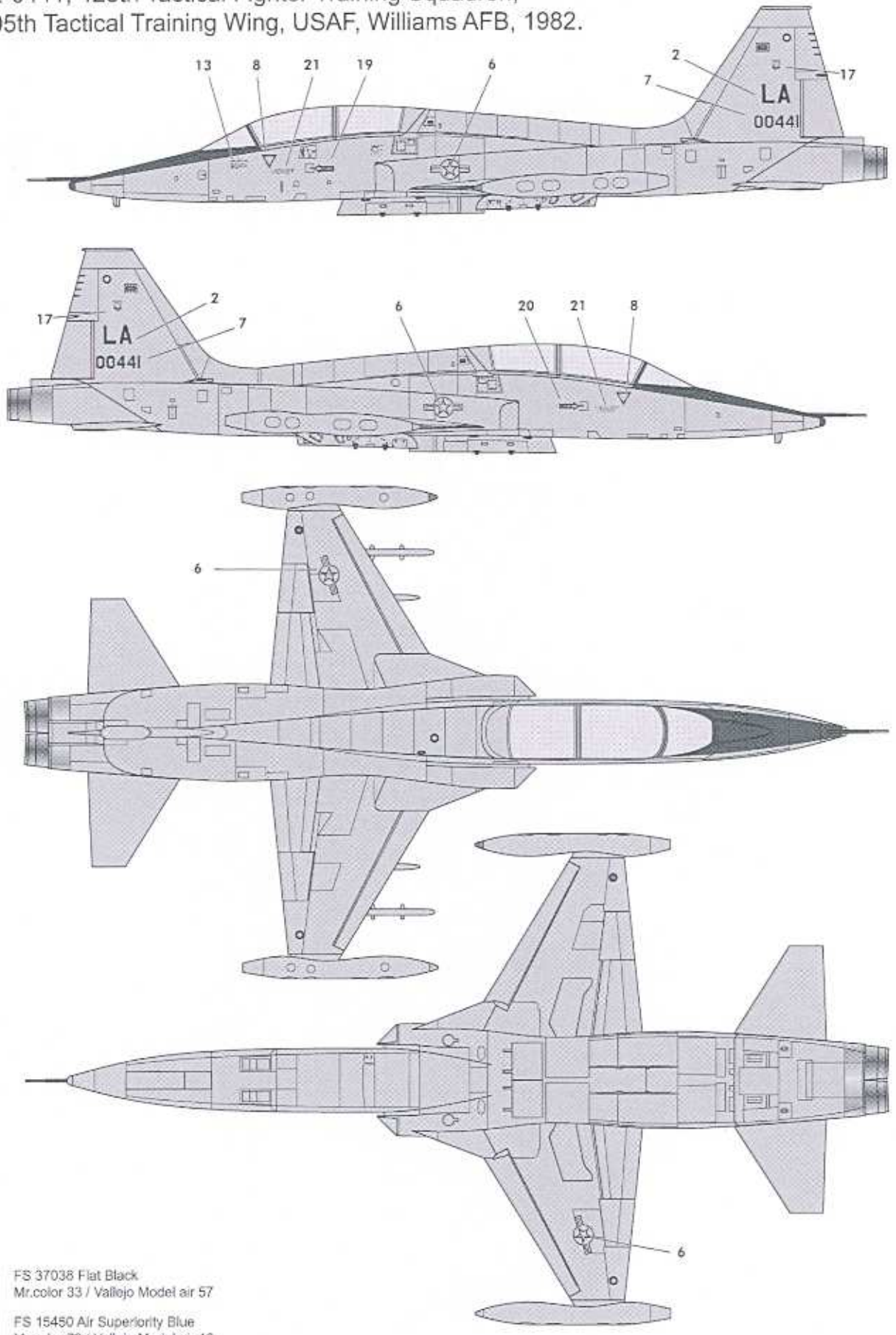


- FS 37038 Flat Black  
Mr.color 33 / Vallejo Model air 57
- FS 17178 Silver  
Mr.color 8 / Vallejo Model air 64



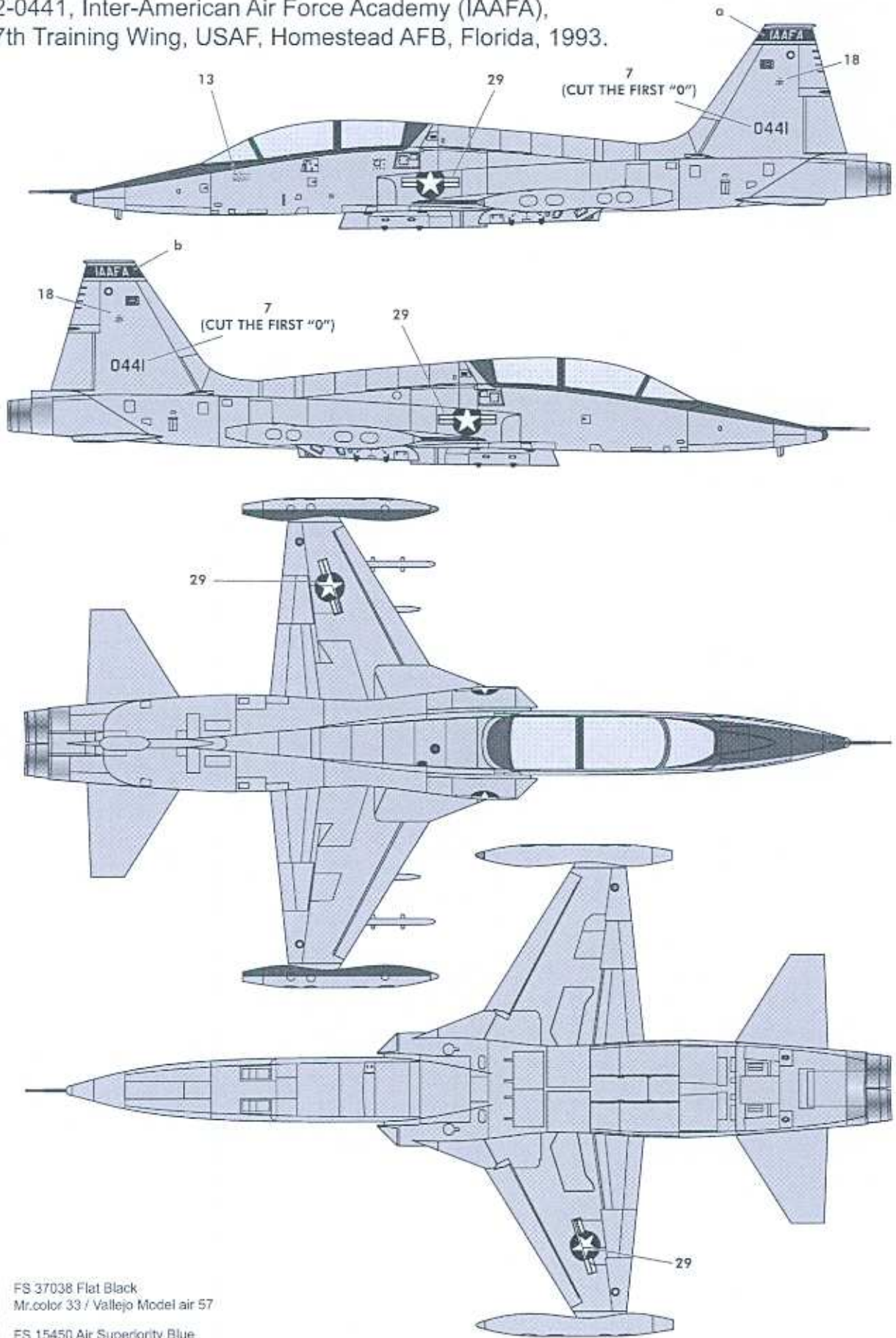
**1/48 SCALE AIRCRAFT SERIES NO: K48021**

3. 72-0441, 425th Tactical Fighter Training Squadron,  
405th Tactical Training Wing, USAF, Williams AFB, 1982.



**1/48 SCALE AIRCRAFT SERIES NO: K48021**

4. 72-0441, Inter-American Air Force Academy (IAAFA),  
37th Training Wing, USAF, Homestead AFB, Florida, 1993.

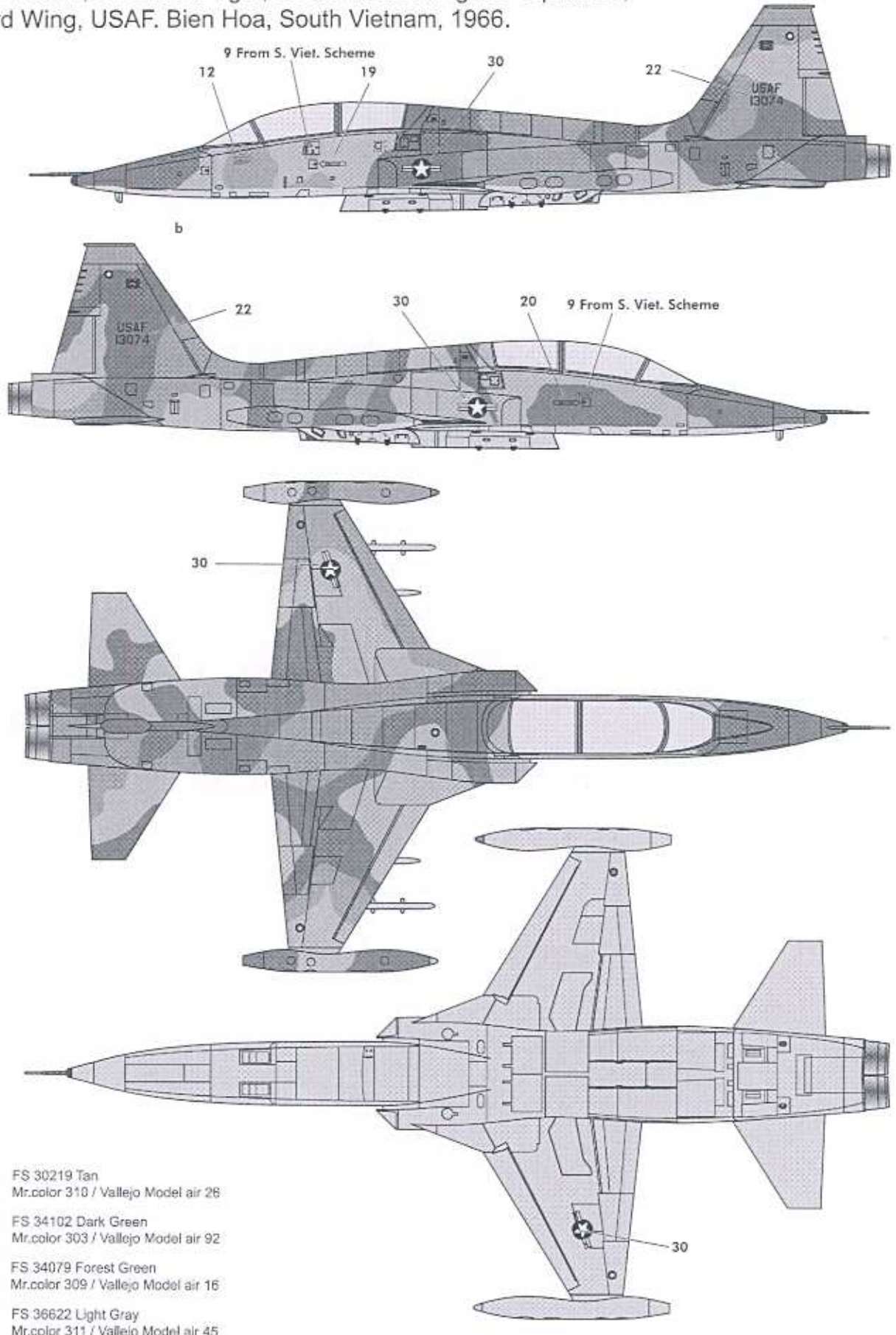


- FS 37038 Flat Black  
Mr.color 33 / Vallejo Model air 57
- FS 15450 Air Superiority Blue  
Mr.color 73 / Vallejo Model air 46



**1/48 SCALE AIRCRAFT SERIES NO: K48021**

5. 65-13074, ex-Skoshi Tiger, 602nd Tactical Fighter Squadron,  
3rd Wing, USAF. Bien Hoa, South Vietnam, 1966.

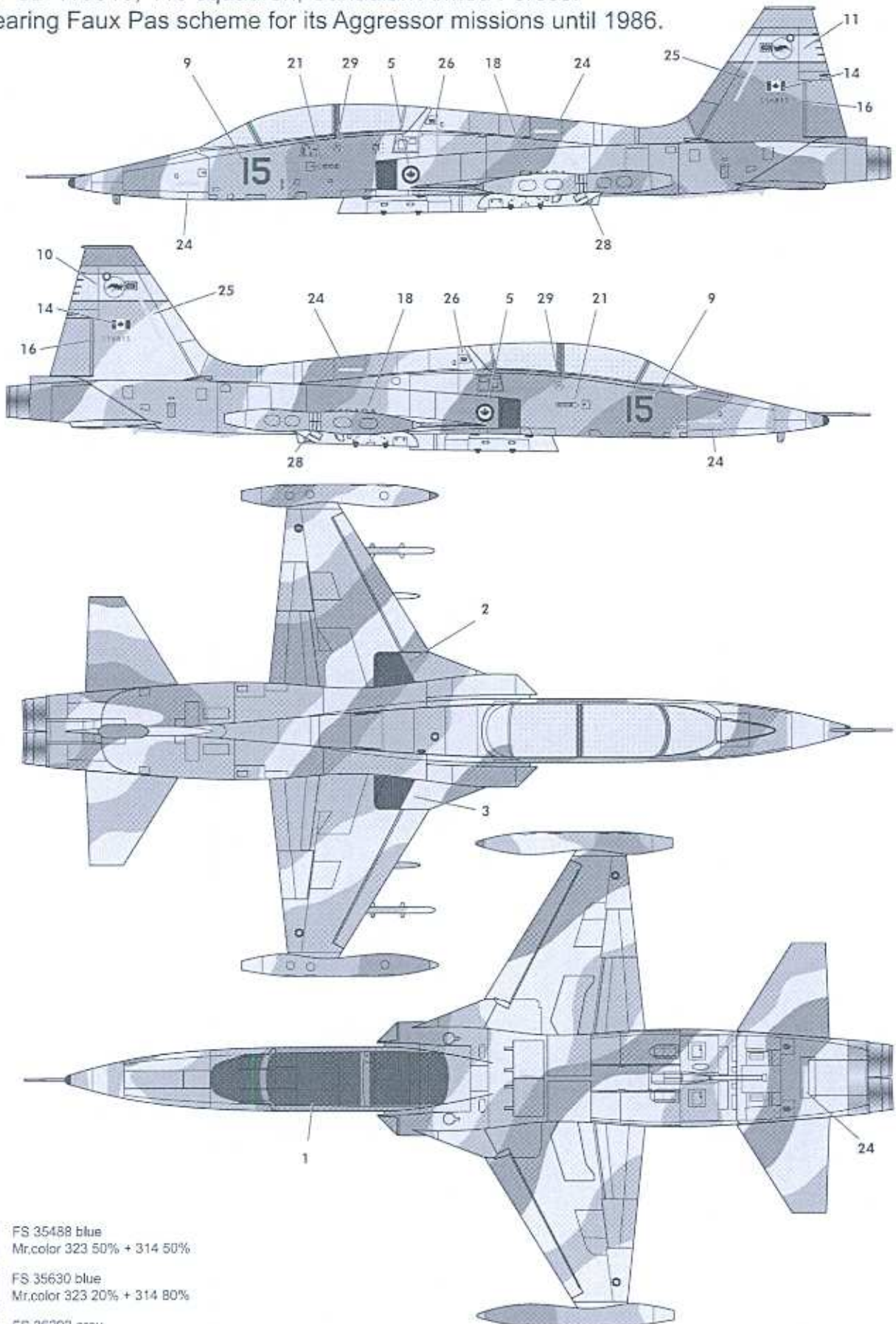


- FS 30219 Tan  
Mr.color 310 / Vallejo Model air 26
- FS 34102 Dark Green  
Mr.color 303 / Vallejo Model air 92
- FS 34079 Forest Green  
Mr.color 309 / Vallejo Model air 16
- FS 36622 Light Gray  
Mr.color 311 / Vallejo Model air 45



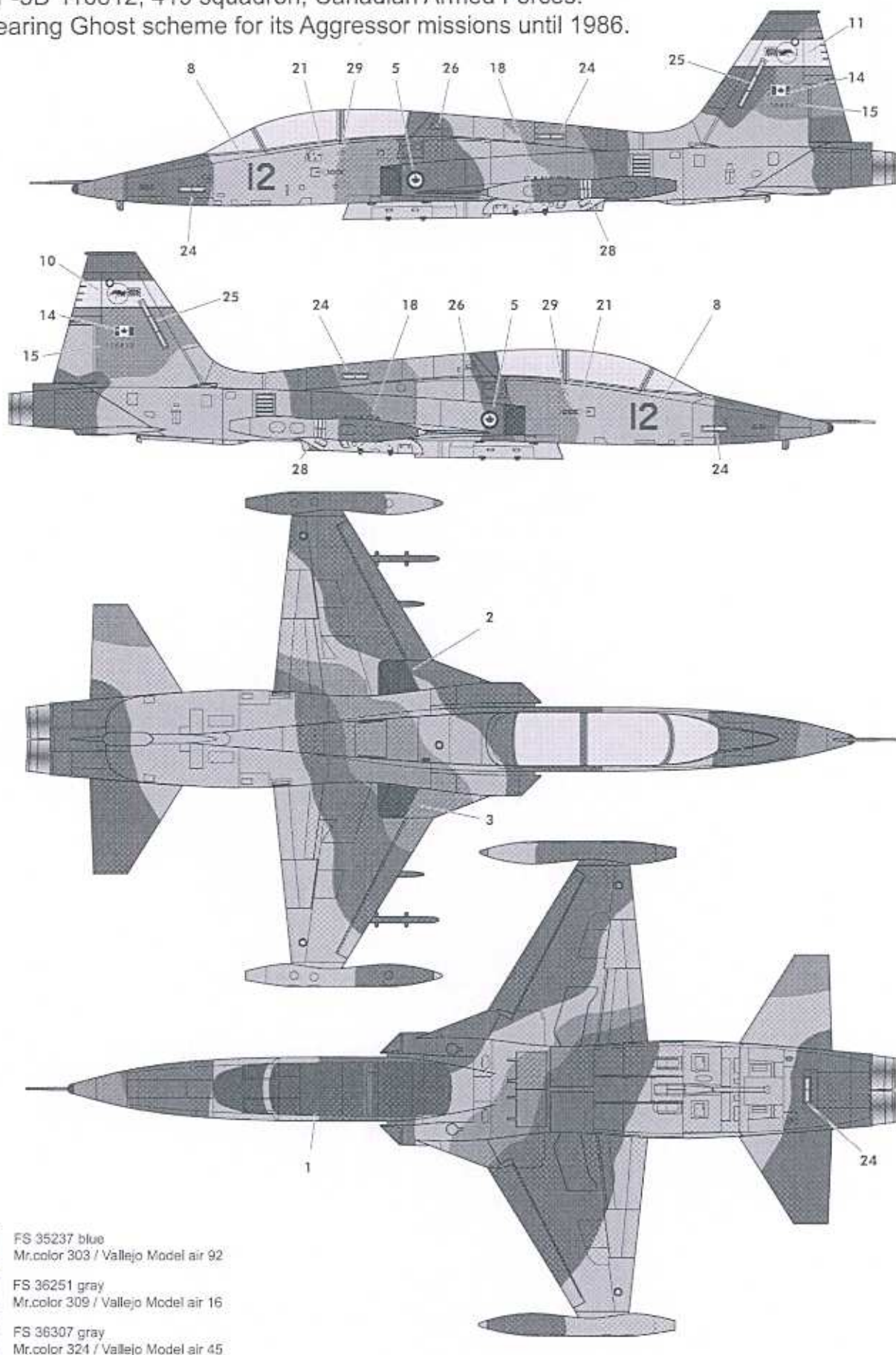
**1/48 SCALE AIRCRAFT SERIES NO: K48021**

6. CF-5D 116815, 419 squadron, Canadian Armed Forces.  
Wearing Faux Pas scheme for its Aggressor missions until 1986.



**1/48 SCALE AIRCRAFT SERIES NO: K48021**

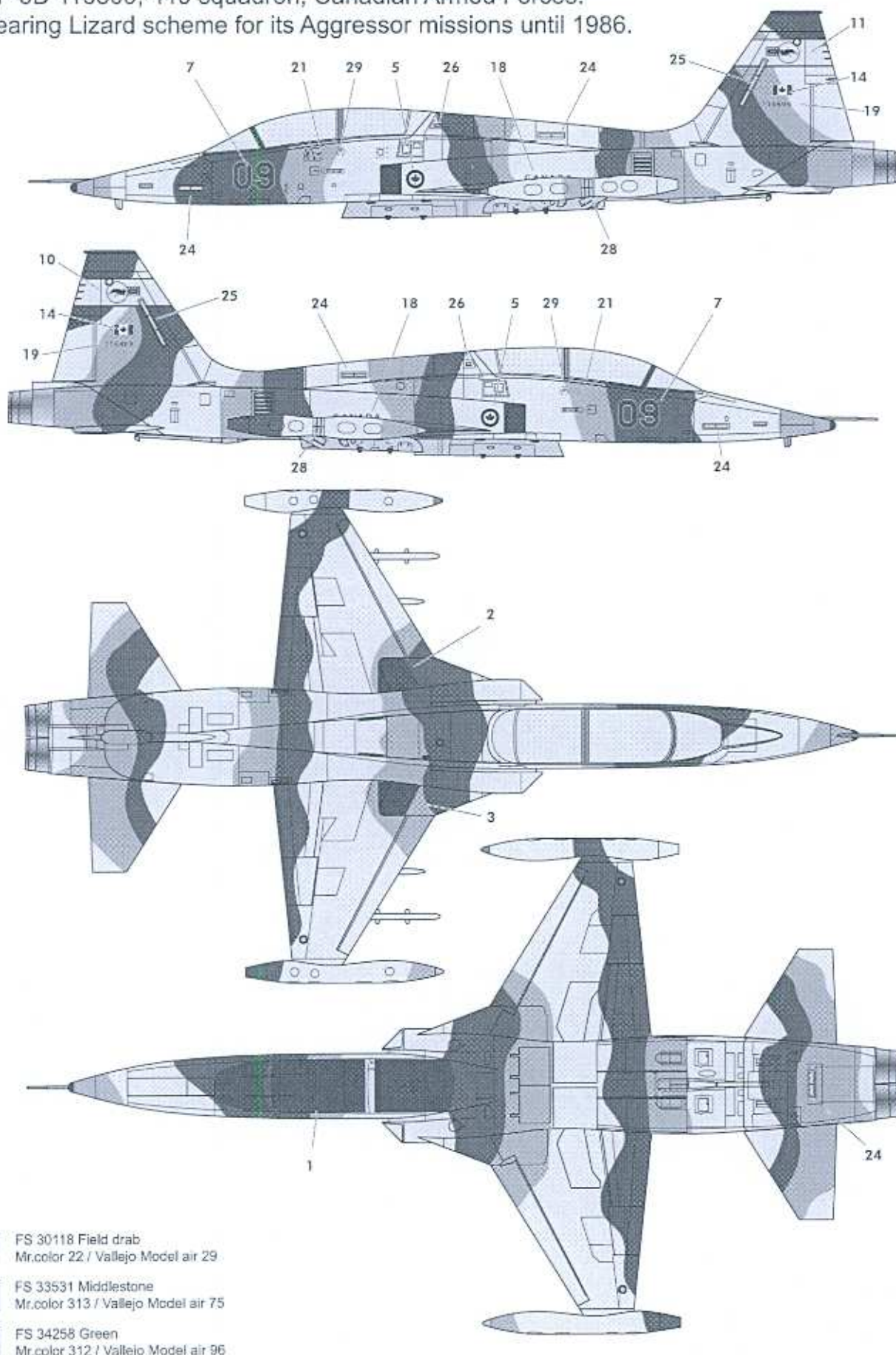
7. CF-5D 116812, 419 squadron, Canadian Armed Forces.  
Wearing Ghost scheme for its Aggressor missions until 1986.





**1/48 SCALE AIRCRAFT SERIES NO: K48021**

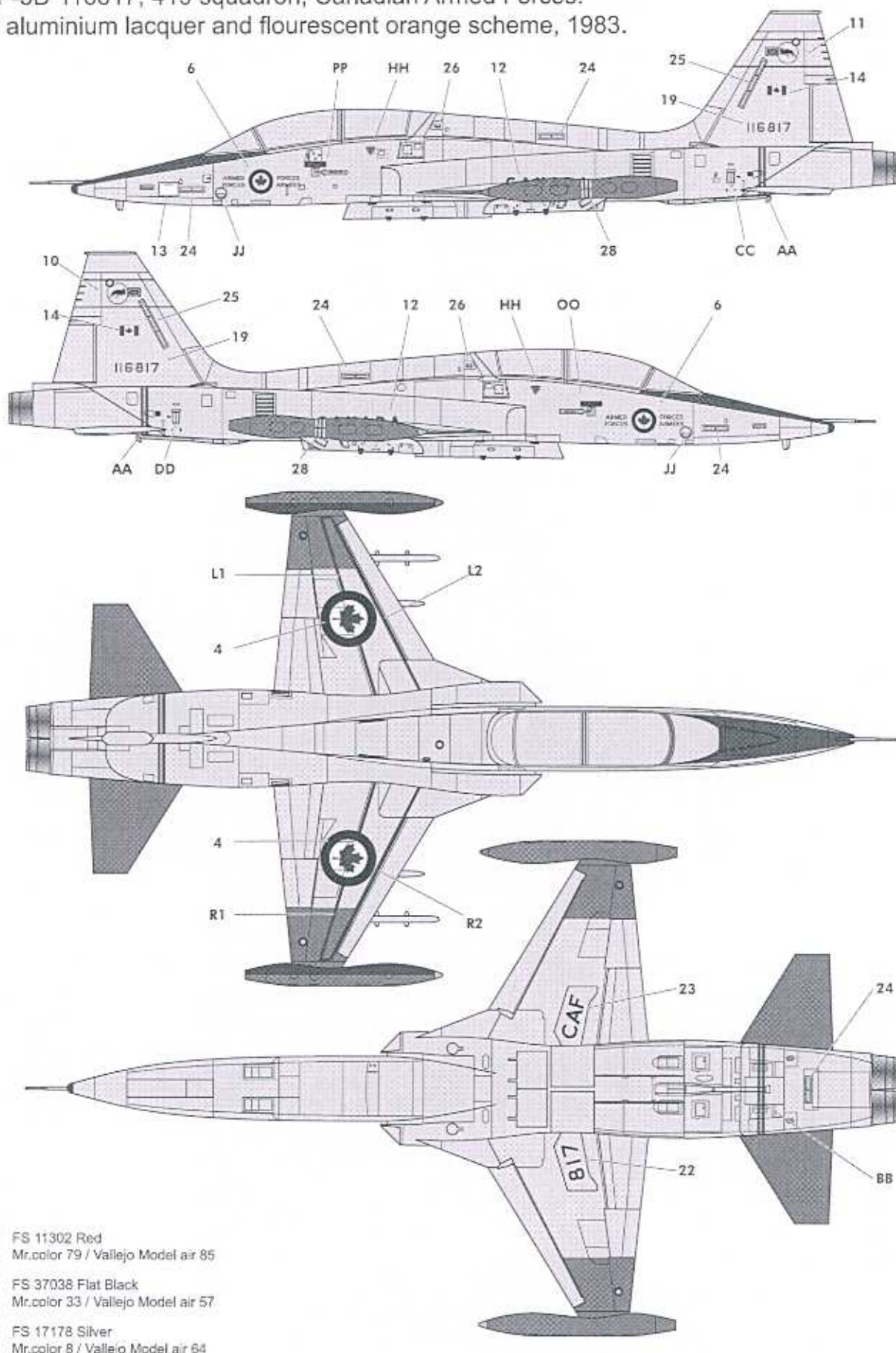
8. CF-5D 116809, 419 squadron, Canadian Armed Forces.  
Wearing Lizard scheme for its Aggressor missions until 1986.





**1/48 SCALE AIRCRAFT SERIES NO: K48021**

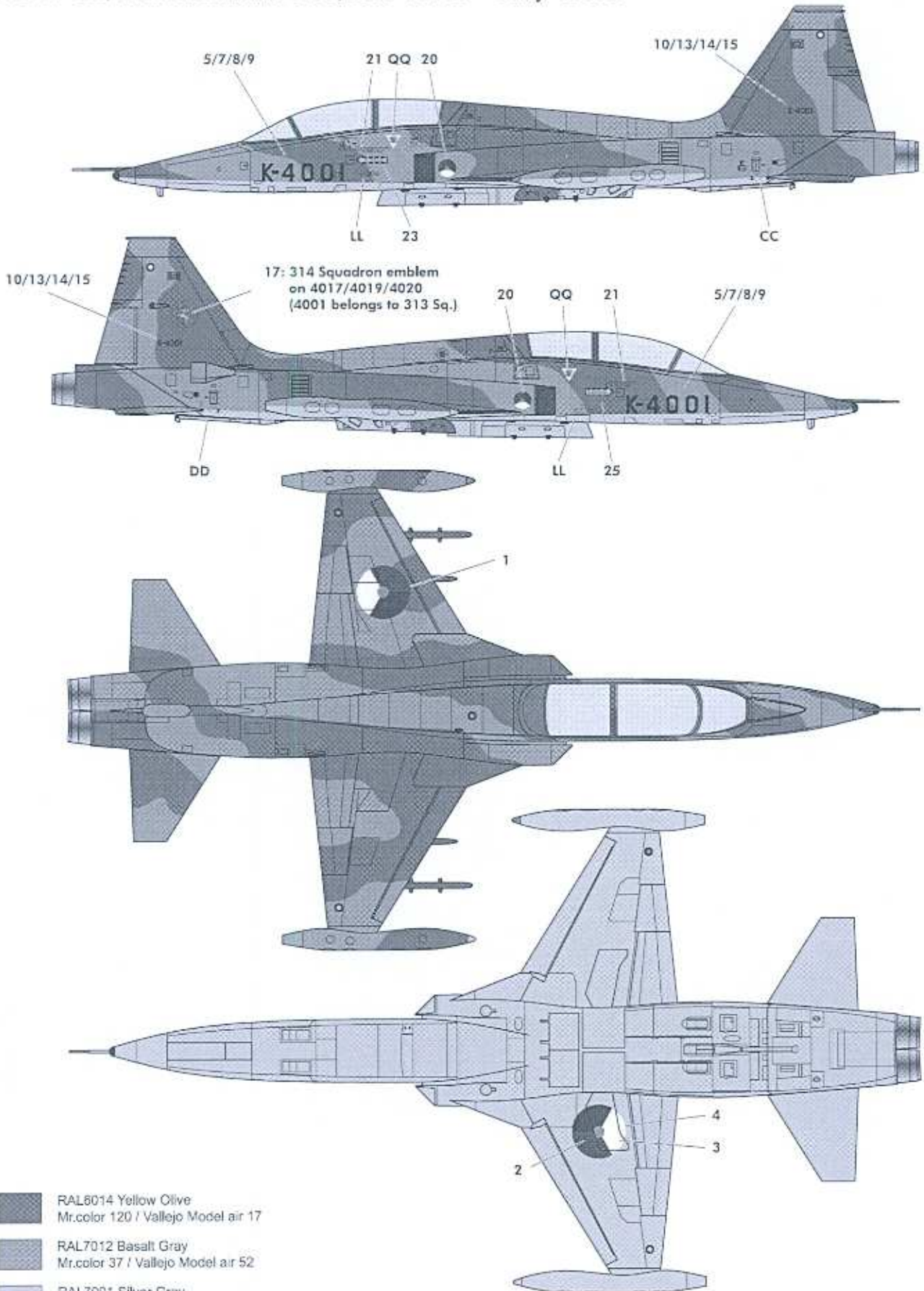
9. CF-5D 116817, 419 squadron, Canadian Armed Forces.  
In aluminium lacquer and fluorescent orange scheme, 1983.



- FS 11302 Red  
Mr.color 79 / Vallejo Model air 85
- FS 37038 Flat Black  
Mr.color 33 / Vallejo Model air 57
- FS 17178 Silver  
Mr.color 8 / Vallejo Model air 64

**1/48 SCALE AIRCRAFT SERIES NO: K48021**

10. NF-5B, Netherland Air Force, Late 1970s ~ early 1980s.

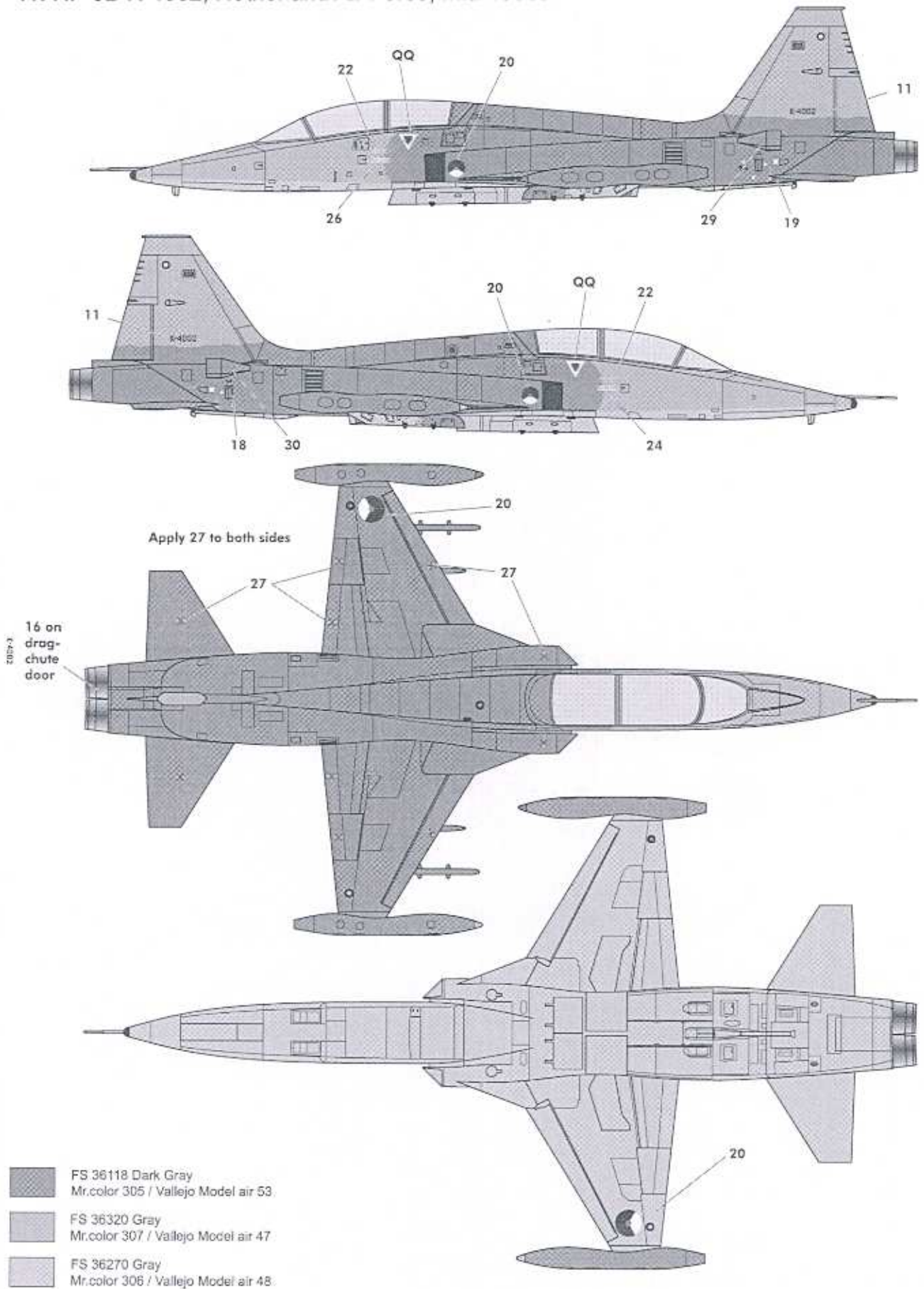


- RAL6014 Yellow Olive  
 Mr.color 120 / Vallejo Model air 17
- RAL7012 Basalt Gray  
 Mr.color 37 / Vallejo Model air 52
- RAL7001 Silver Gray  
 Mr.color 334 / Vallejo Model air 51



**1/48 SCALE AIRCRAFT SERIES NO: K48021**

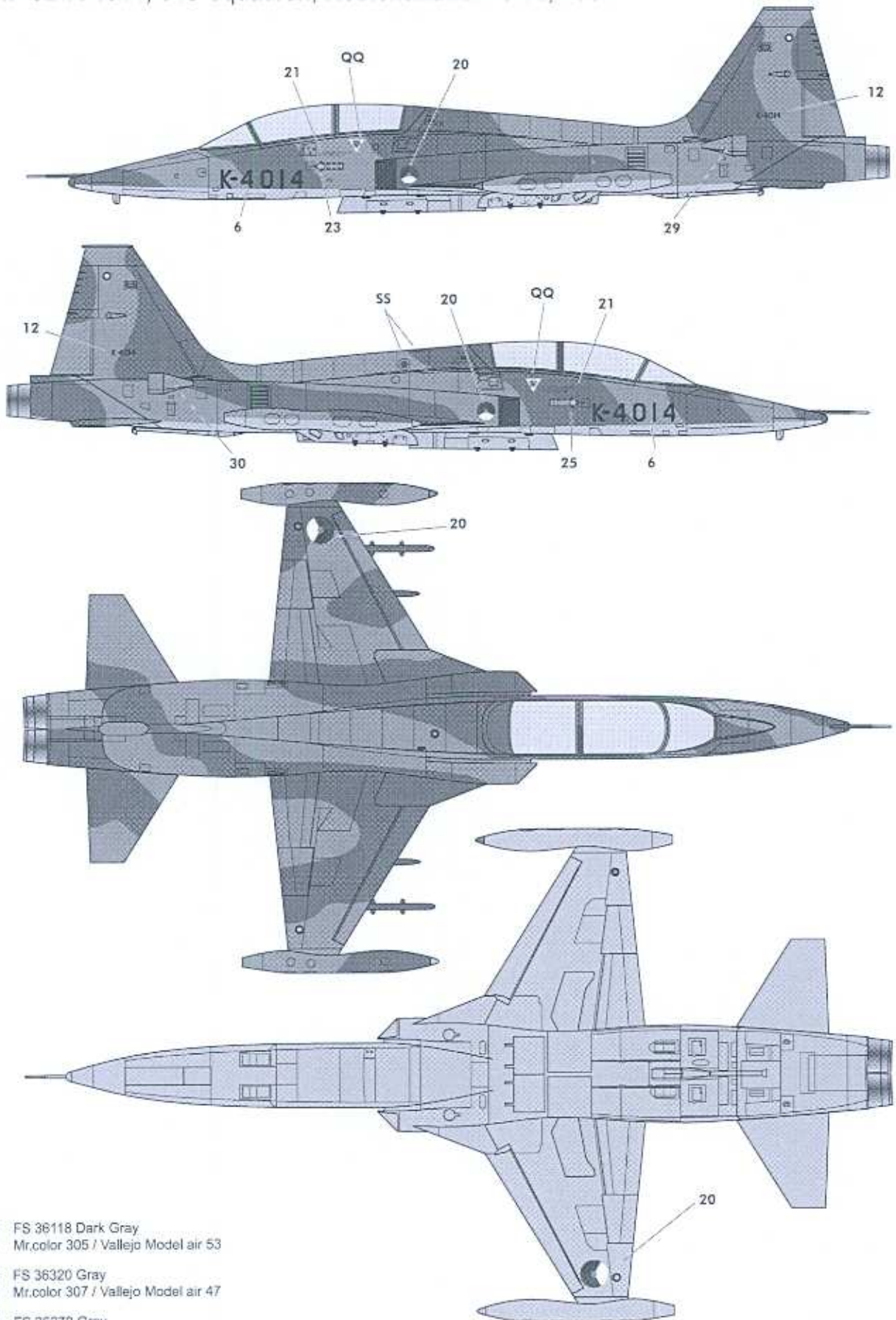
11. NF-5B K-4002, Netherland Air Force, mid-1980s.





**1/48 SCALE AIRCRAFT SERIES NO: K48021**

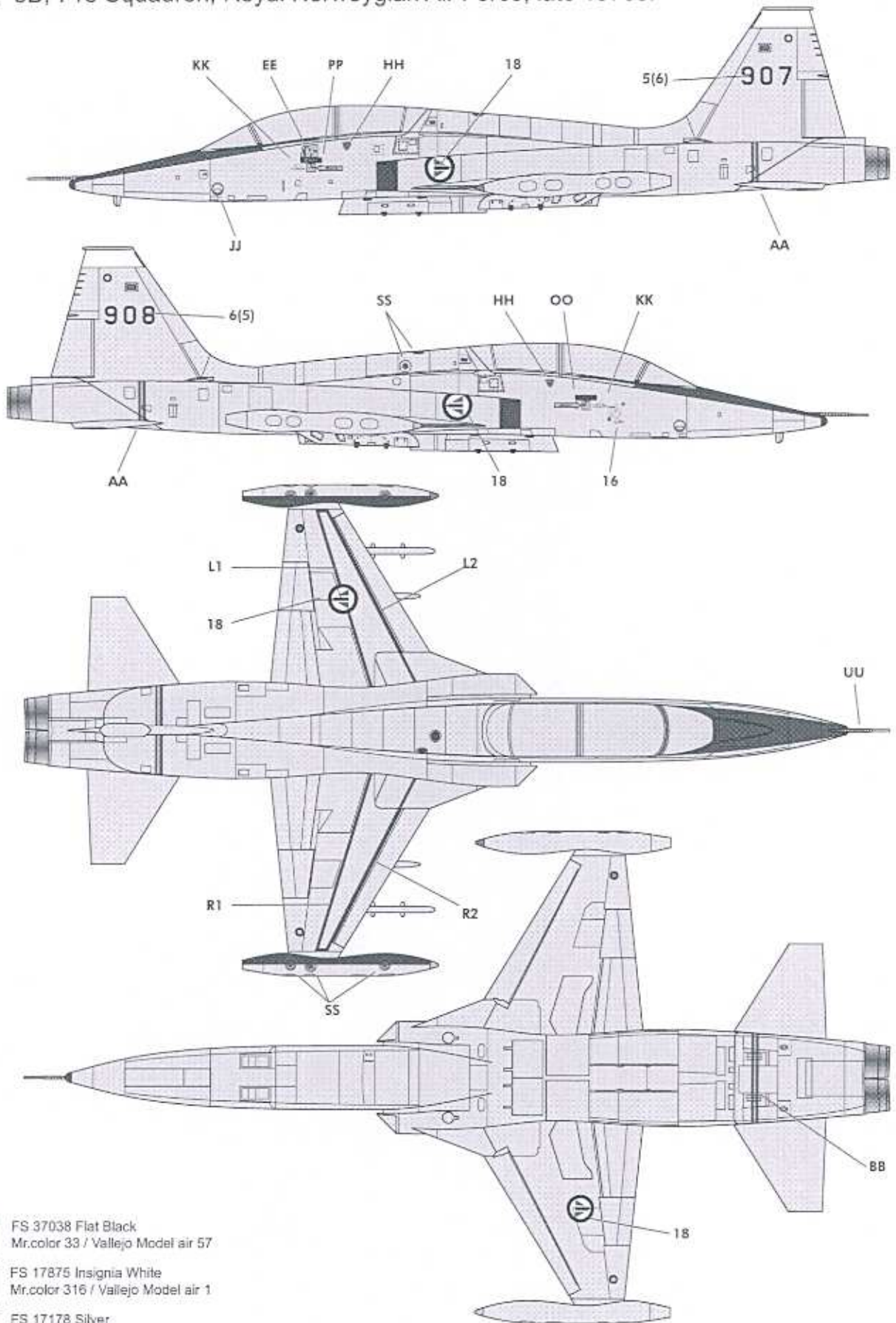
12. NF-5B K-4014, 313 Squadron, Netherland Air Force, 1984.



- FS 36118 Dark Gray  
 Mr.color 305 / Vallejo Model air 53
- FS 36320 Gray  
 Mr.color 307 / Vallejo Model air 47
- FS 36270 Gray  
 Mr.color 306 / Vallejo Model air 48

**1/48 SCALE AIRCRAFT SERIES NO: K48021**

13. F-5B, 718 Squadron, Royal Norwegian Air Force, late 1970s.

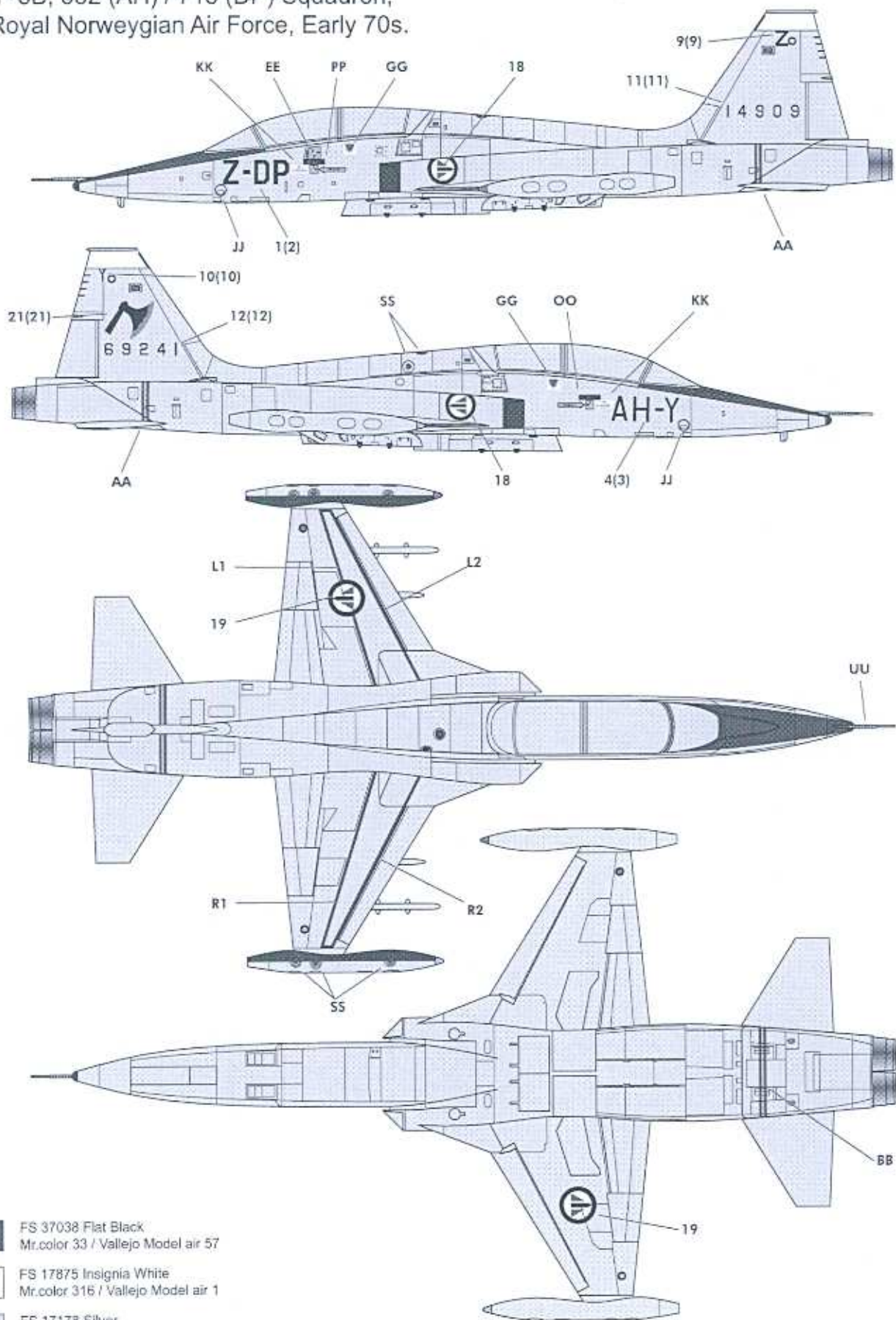


- FS 37038 Flat Black  
Mr.color 33 / Vallejo Model air 57
- FS 17875 Insignia White  
Mr.color 316 / Vallejo Model air 1
- FS 17178 Silver  
Mr.color 8 / Vallejo Model air 64



**1/48 SCALE AIRCRAFT SERIES NO: K48021**

14. F-5B, 332 (AH) / 718 (DP) Squadron,  
Royal Norwegian Air Force, Early 70s.

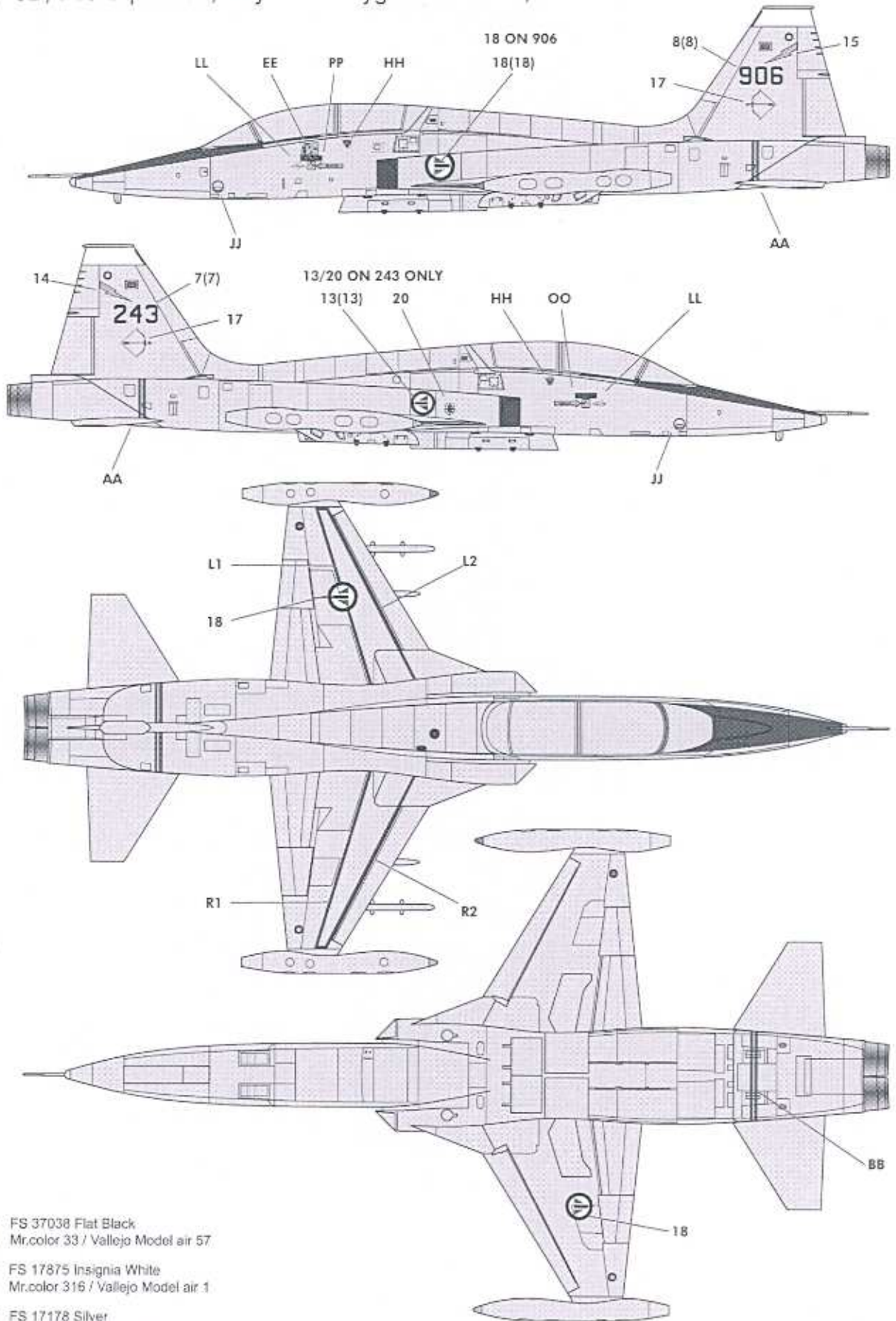


- FS 37038 Flat Black  
Mr.color 33 / Vallejo Model air 57
- FS 17875 Insignia White  
Mr.color 316 / Vallejo Model air 1
- FS 17178 Silver  
Mr.color 8 / Vallejo Model air 64



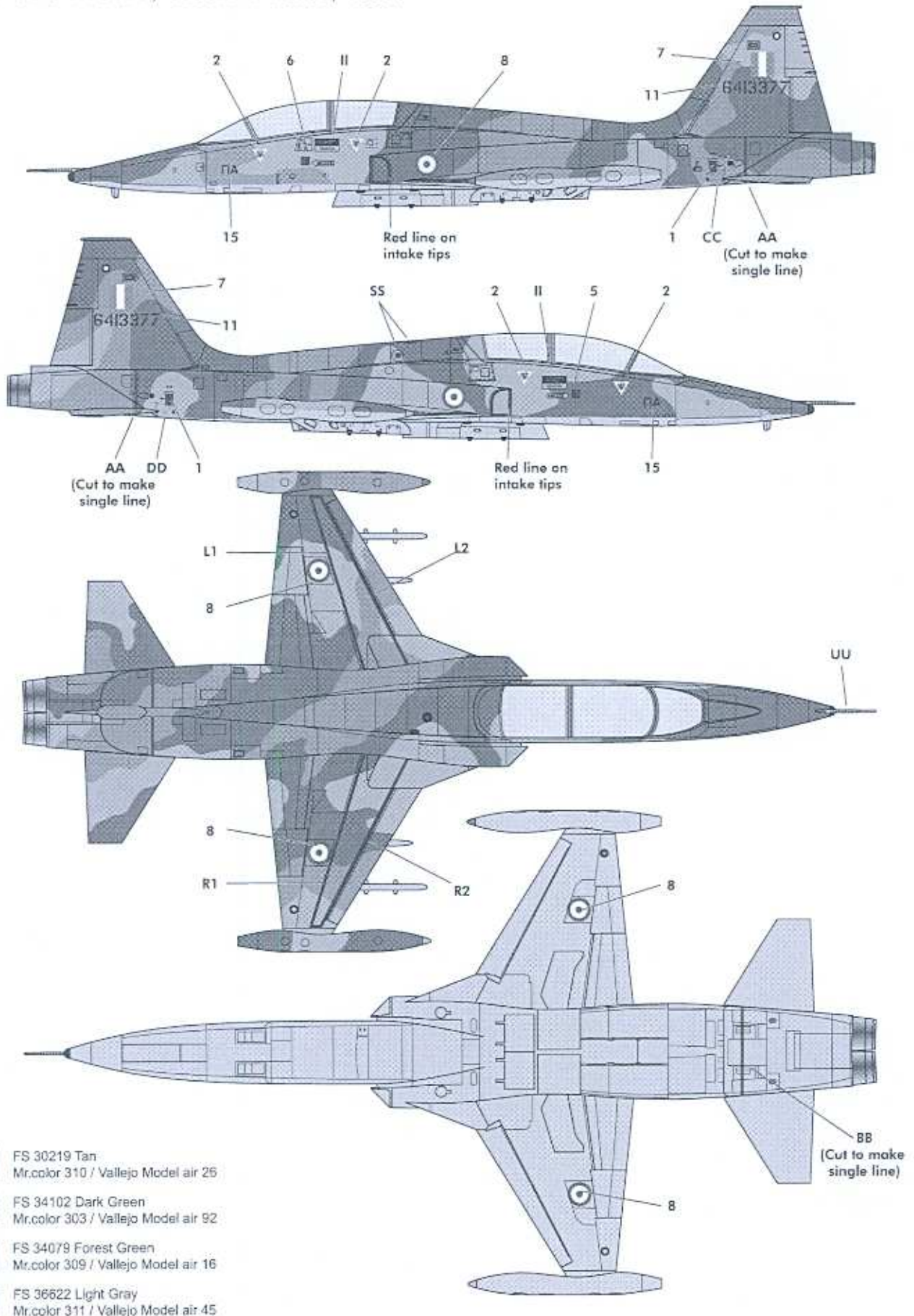
**1/48 SCALE AIRCRAFT SERIES NO: K48021**

15. F-5B, 718 Squadron, Royal Norwegian Air Force, 1970.



**1/48 SCALE AIRCRAFT SERIES NO: K48021**

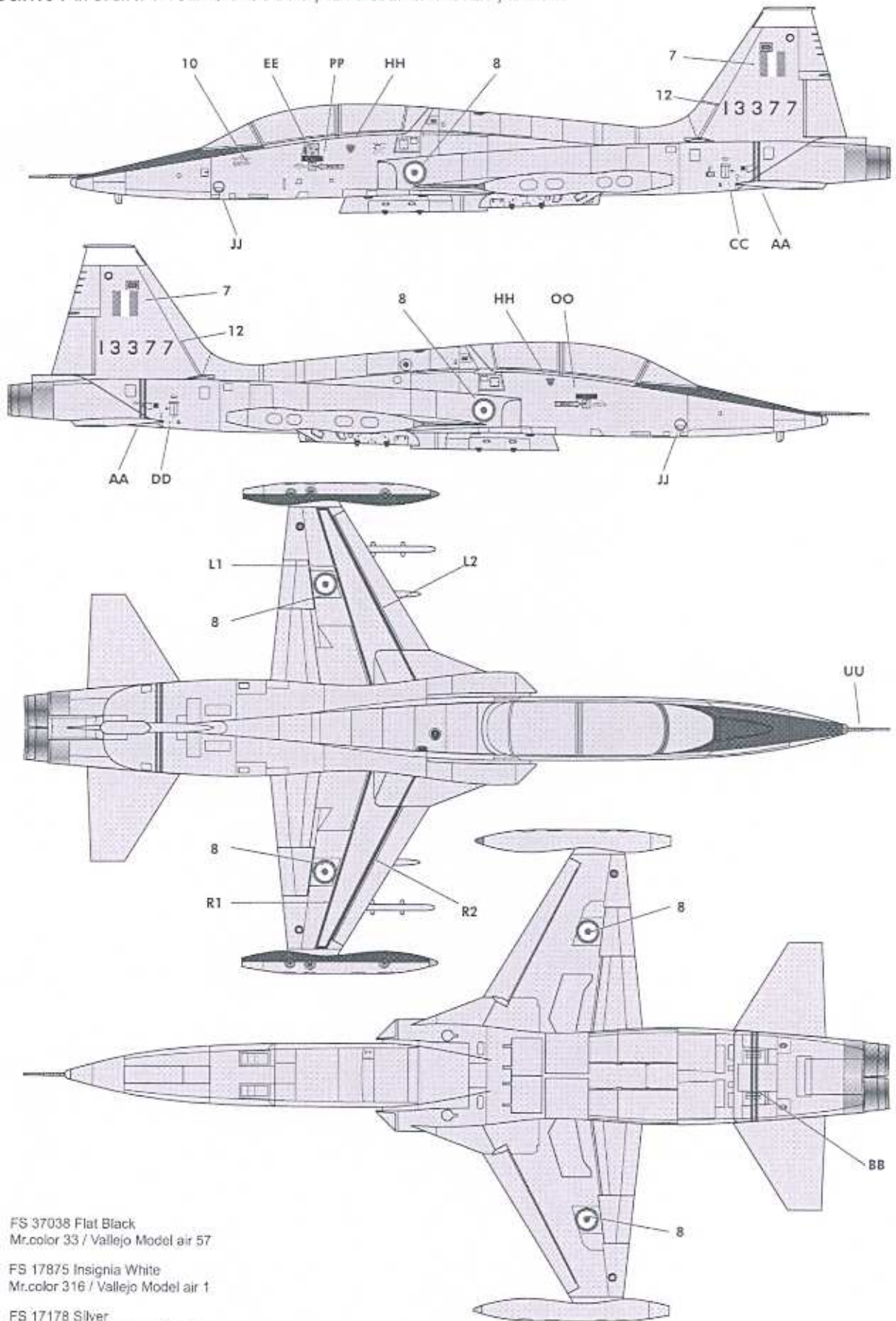
16. F-5B 64-13377, Greek Air Force, 1997.



- FS 30219 Tan  
Mr.color 310 / Vallejo Model air 25
- FS 34102 Dark Green  
Mr.color 303 / Vallejo Model air 92
- FS 34079 Forest Green  
Mr.color 309 / Vallejo Model air 16
- FS 36622 Light Gray  
Mr.color 311 / Vallejo Model air 45



17. Same Aircraft: F-5B 64-13377, Greek Air Force, 1966.

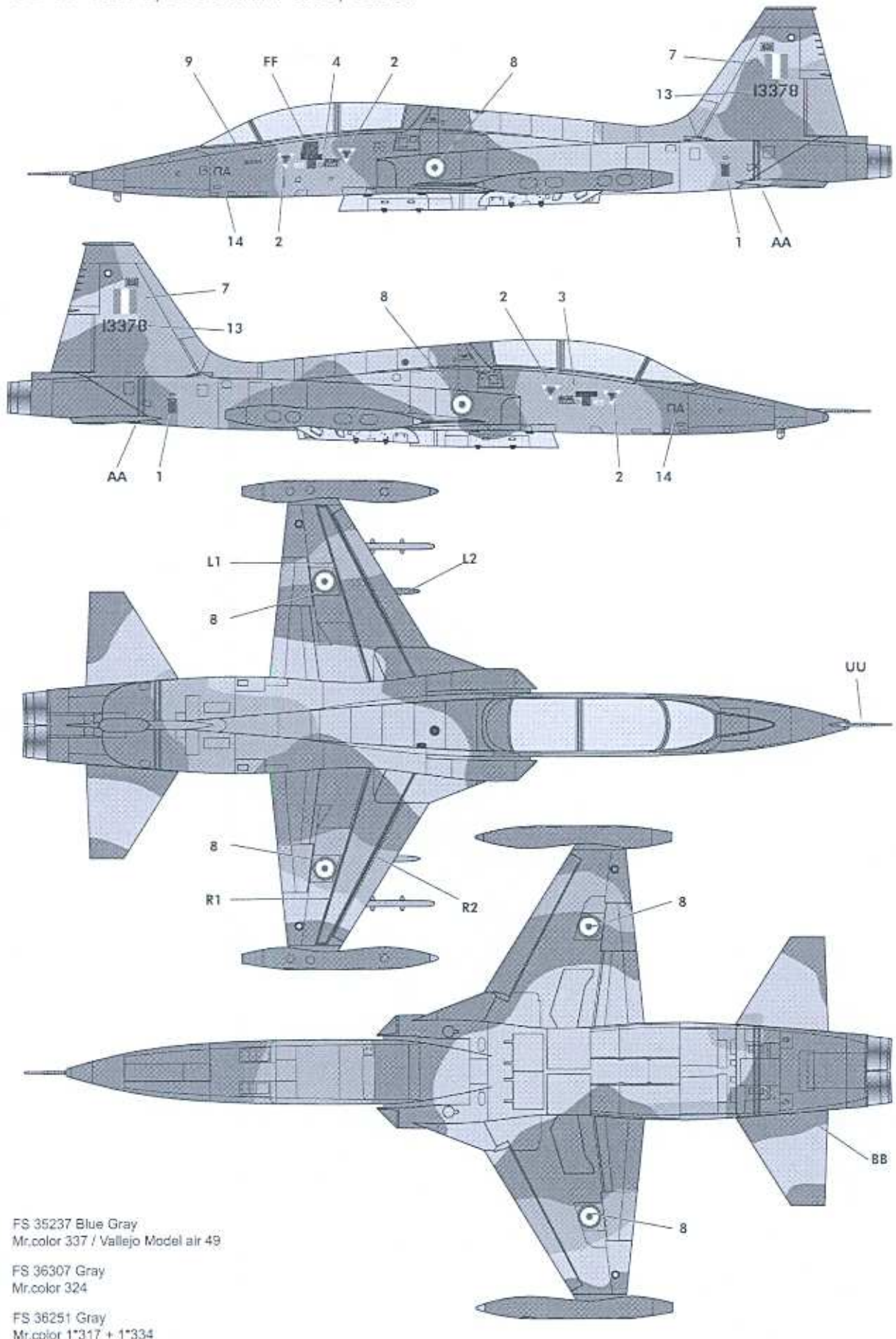


- FS 37038 Flat Black  
Mr.color 33 / Vallejo Model air 57
- FS 17875 Insignia White  
Mr.color 316 / Vallejo Model air 1
- FS 17178 Silver  
Mr.color 8 / Vallejo Model air 64



**1/48 SCALE AIRCRAFT SERIES NO: K48021**

18. F-5B 64-13378, Greek Air Force, 1998.



- FS 35237 Blue Gray  
Mr.color 337 / Vallejo Model air 49
- FS 36307 Gray  
Mr.color 324
- FS 36251 Gray  
Mr.color 1\*317 + 1\*334

**1/48 SCALE AIRCRAFT SERIES NO: K48021**

19. F-5B, South Vietnamese Air Force, 522nd Sq, 23rd Wing, 1969.  
13074 is ex-USAF aircraft, found in the decal scheme #5.

