

* Read carefully and fully understand the instructions before assembly..

* Keep away from small children.

* Model car for collectors. Not suitable for modellers under 14 years old.

* Cement and paints not included in the kit.

* Use ciano-acrilate cement only.

* Use polyester putty, for remodelling and repair of resin body and parts.

* **Tools required:** cement, plastic scribe, side cutter, tweezers and modelling knife.

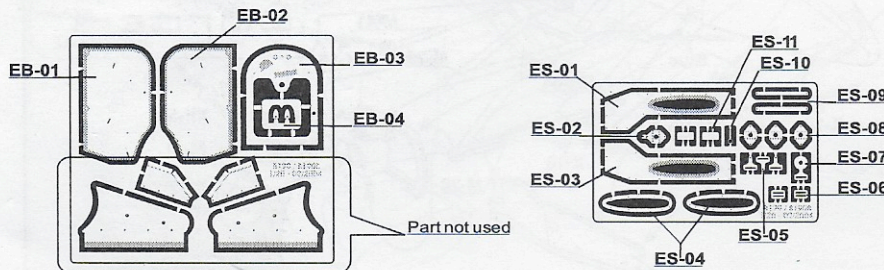
* **Paints required:**

- TS-8 / italian red
- TS-16 / yellow
- TS-35 / park green
- X-9 / brown
- X-10 / gun metal
- X-11 / chrome silver
- X-12 / gold leaf
- X-18 / semi gloss black
- X-27 / clear red
- XF-1 / flat black
- XF-16 / flat aluminum
- XF-52 / flat earth
- XF-56 / metallic grey

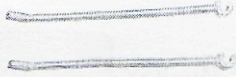
For more reference material, please visit our website at www.amdmodels.net

Photo-etched

"Sand steel photo etched parts fixed on the plate before assembly"



Metal parts



M-41



M-42

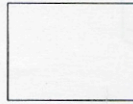
WIRE steel



FRONT TYRES x2



REAR TYRES x2



POLYCARBONATE
windscreen

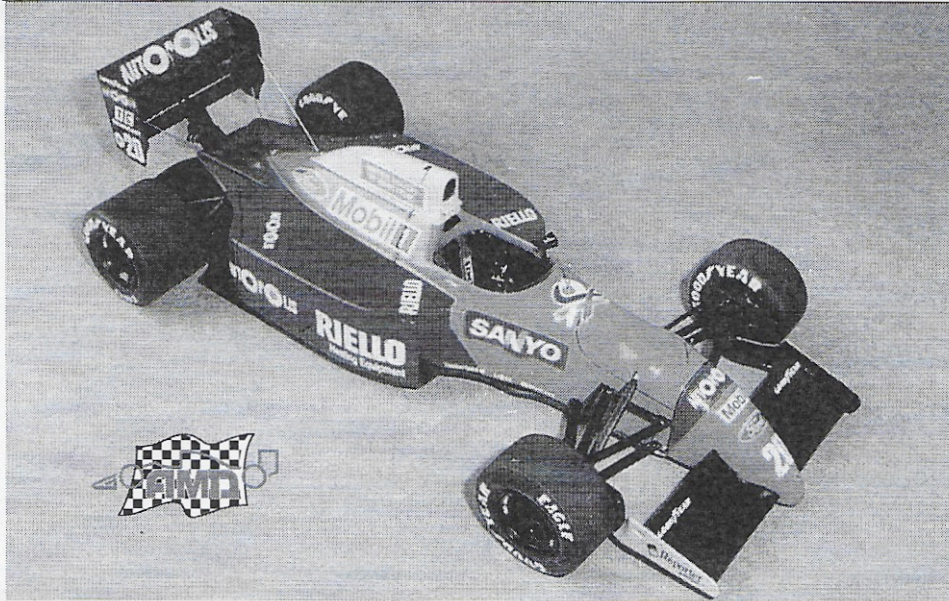
Resin parts



R-01



R-02



Metal parts



M-01

M-02

M-03

M-04

M-05



M-06

M-07

M-08

M-09

M-10

M-11 x 4



M-12

M-13

M-14

M-15

M-16



M-17

M-18

M-19

M-20 x 4



M-20

M-21

M-22

M-23



M-24

M-25

M-26

M-27



M-28

M-29

M-30

M-31

M-32



M-33

M-34

M-35

M-36





M-37

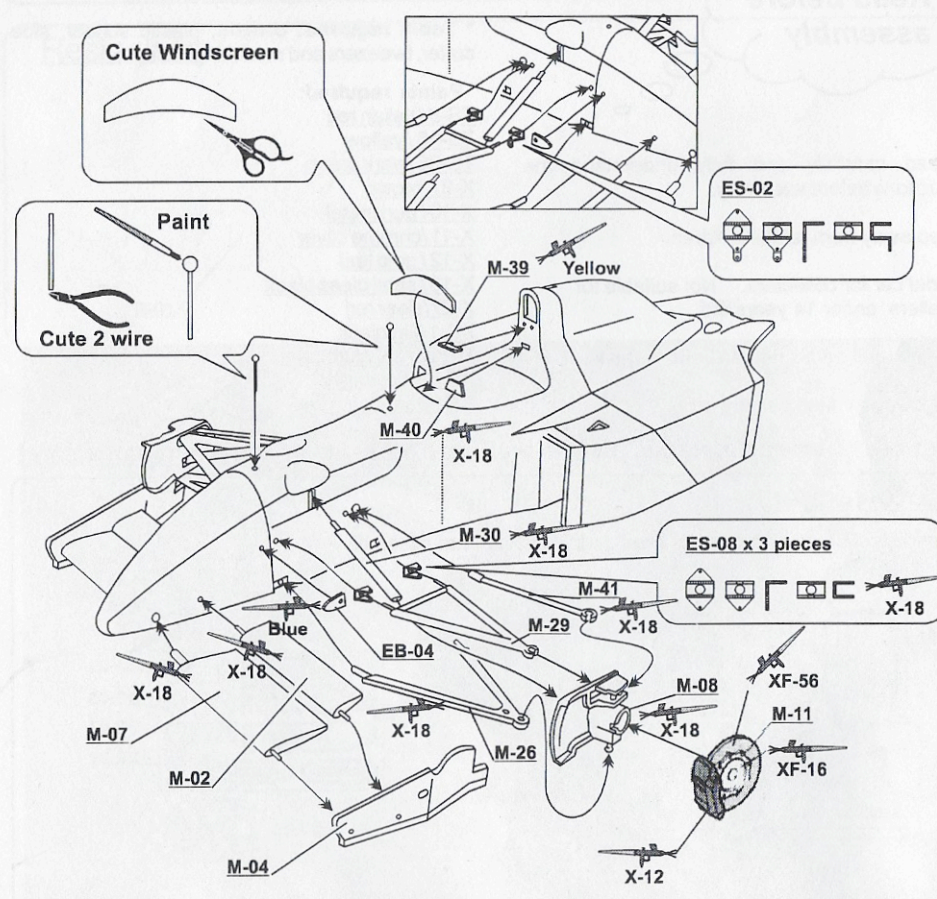
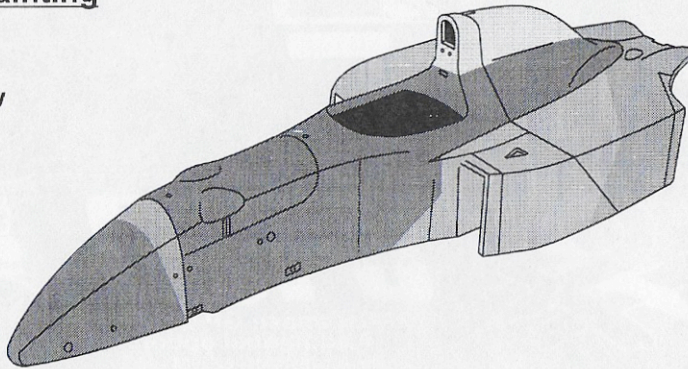
M-38

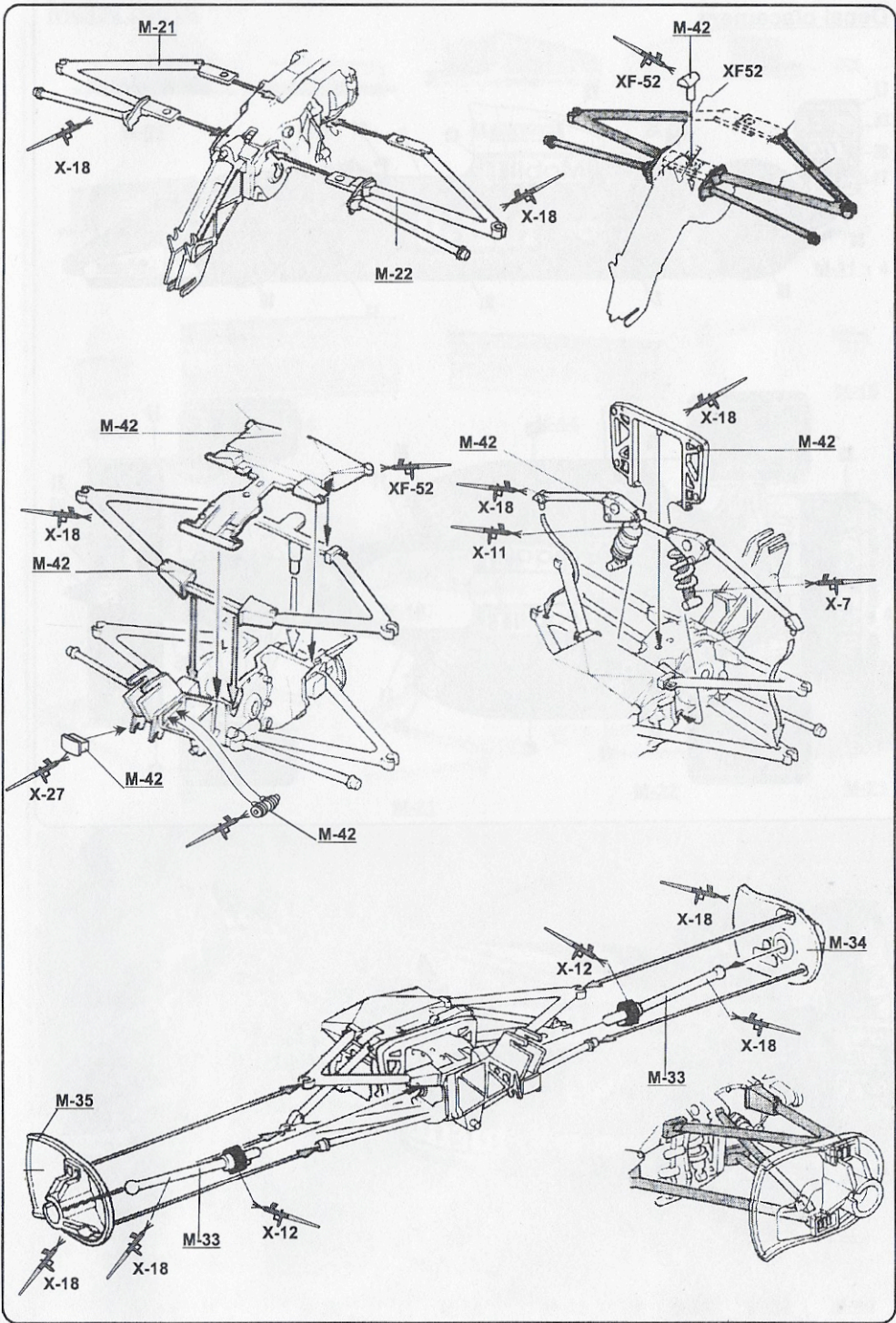
M-39

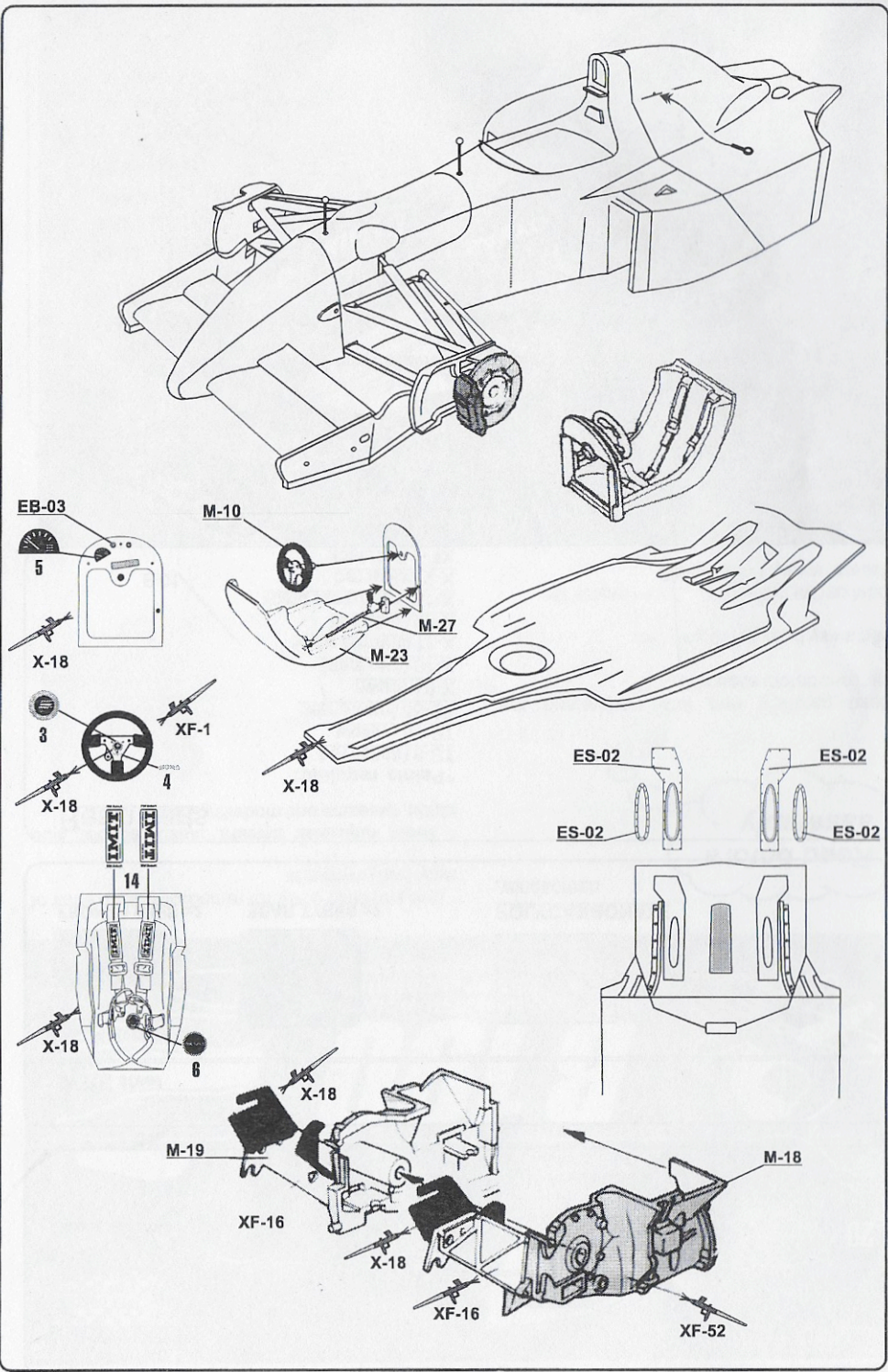
M-40

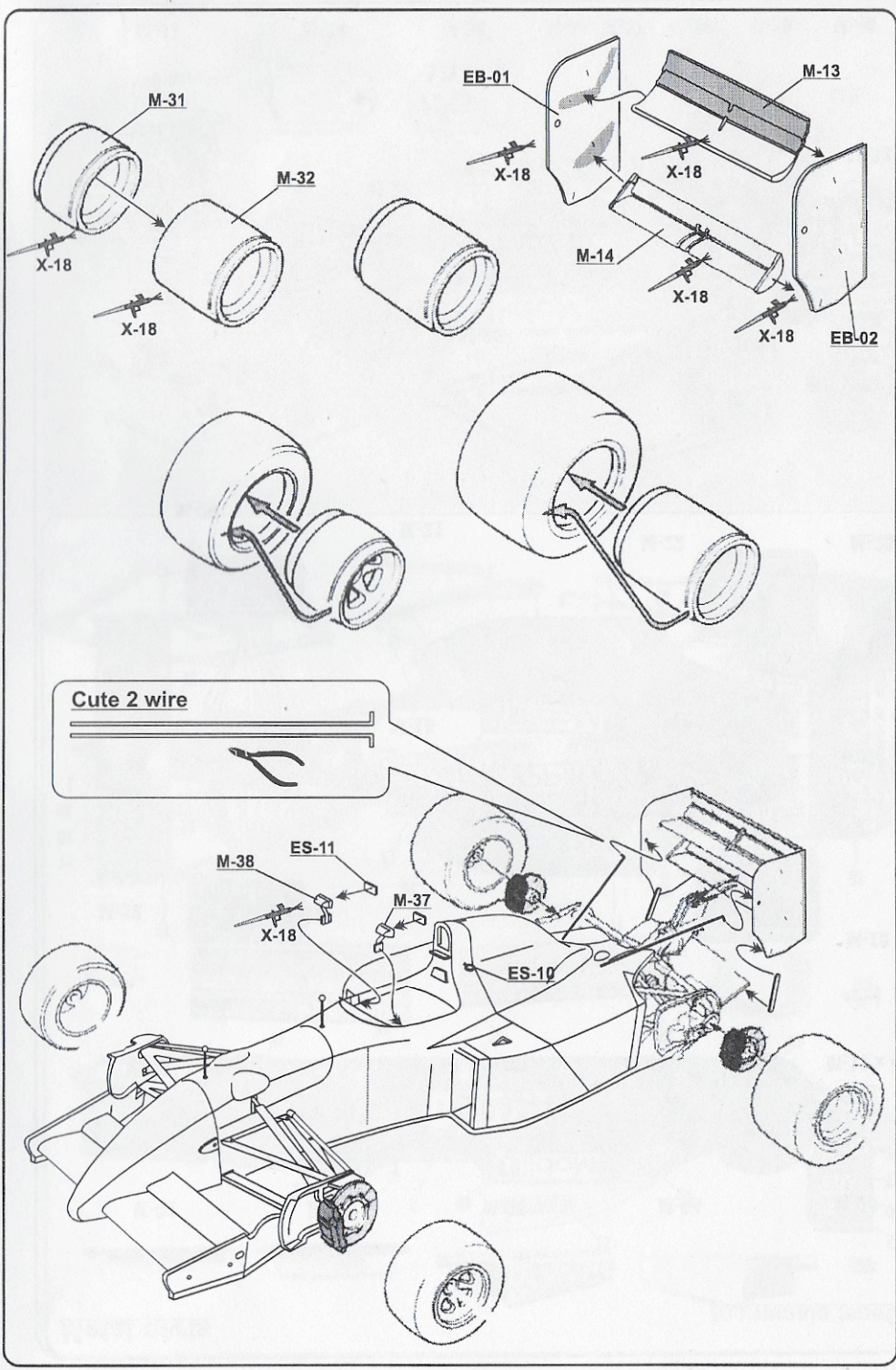
Masking for painting

-  Yellow
-  Red
-  Blue
-  Green









Decal placement

