



# Mil Mi-24V Hind-E Helicopter

1:35 Scale

米里米-24V雌鹿E型武装直升机

**READ BEFORE ASSEMBLY**

- Study and understand these instructions thoroughly before beginning assembly. Make sure all parts are included by comparing them to those shown on pages 2 & 3 of these instructions.
- Remove parts from sprues as needed, and trim excess with a hobby knife. Be careful not to lose small parts.
- Remove photo-etch parts from sprue as needed using a hobby knife or photo etch cutter.
- Apply cement to photo etch parts as shown on instructions. Applying too much cement will restrict the operation of these

movable parts. Apply cement carefully! Removed photo etch parts can have sharp edges. Take care when handling these to avoid injury.

- Apply decals to necessary parts prior to assembly.
- Additional tools recommended(not included):Sprue cutter, Long nose pliers, hobby knife, file, tweezers, pin vise, scissors, cement, sandpaper, soft cloth, glue and paint.
- Keep all parts out of reach of children, as they pose a choking hazard. Discard all unnecessary bags and sprues when model is completed to avoid accidental injury.

**装配之前仔细阅读**

- 小心用模型锉刀锉平所有零件表面的注射道口。
- 小心用刀片切下蚀刻片零件。不要遗失小零件。
- 用强力快干胶水粘合蚀刻片零件和金属轴。过量的快干胶水使用可能导致可动零件会粘住。小心涂胶。
- 取蚀刻片时应特别注意安全。防止利刃划伤手指。
- 某些零件表面需贴水贴纸。请选择在装配的同时进行。
- 推荐模型工具(自备):胶水,水口剪刀,长嘴钳,刀片,锉刀,镊子钳,钻,剪刀,瞬间快干胶。
- 软布同砂纸同时也应该是必备工具。
- 请使用塑料胶水和油漆,模型内不含。
- 谨防小孩吸吮塑料零件,或者将塑料袋套在头上。制作时应将套材远离小孩接触。

**水贴纸的使用:**

1. 从水贴纸上剪下印花;
2. 将印花放入温水中浸10秒, 然后放在干净布上。
3. 拿着印花纸板将印花移到模型上;
4. 手指蘸水将印花移到适当的位置;
5. 用软布轻压印花直至水干, 气泡消失。

**DECAL APPLICATION**

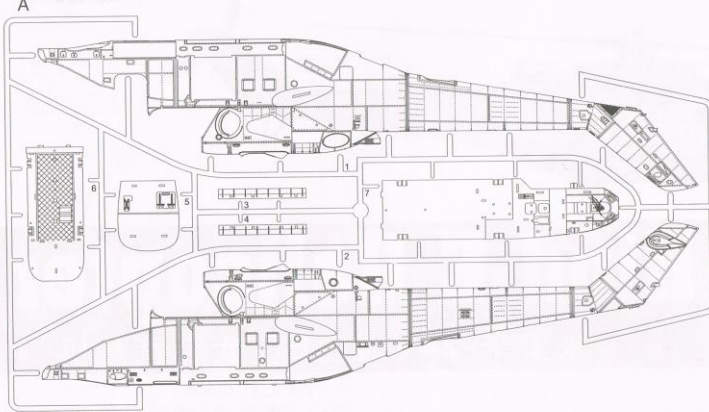
1. Cut off decal from sheet.
2. Dip the decal in tepid water 40° C for about 10 sec. and place on a clean cloth.
3. Hold the backing sheet edge and slide decal onto the model.
4. Move decal into position by wetting decal with finger.
5. Press decal gently down with a soft cloth until excess water and air bubbles are gone.



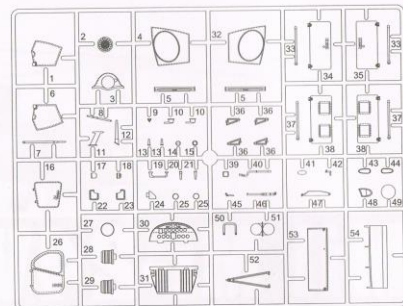
05103

1

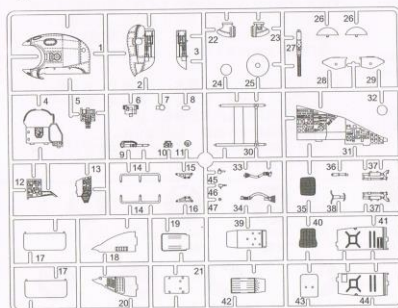
**A 部品图 Parts**



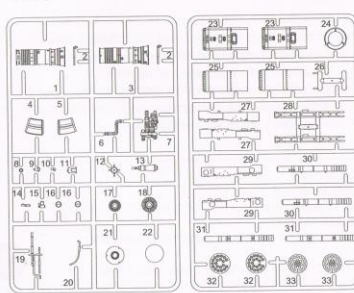
**B**



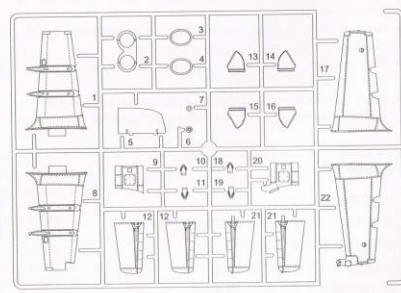
**C**



**DX2**

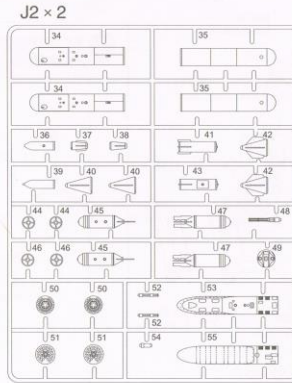
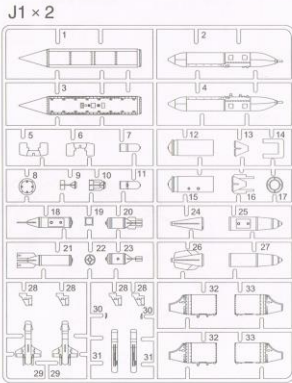
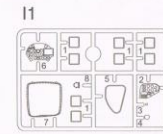
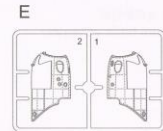
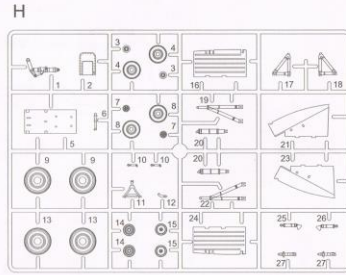
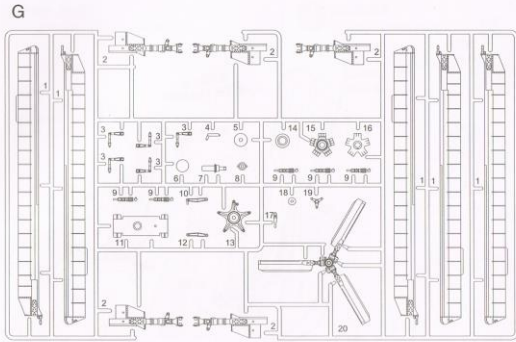


**F**

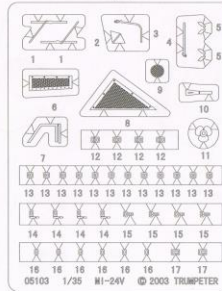


05103

2



蚀刻片  
Photo Etched Part (PE)



菲林片  
Instrument Film 1pcs

贴纸  
Decal 1pcs

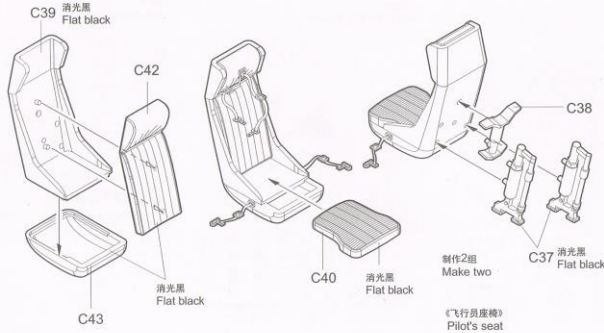
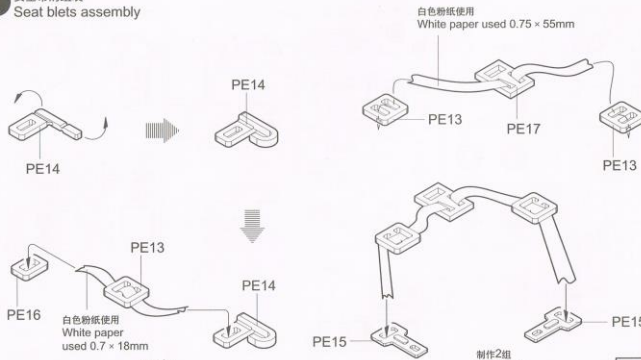
References:(Books)

- ① VP LOCK ON N° 16  
《Mi-24w HINDE》
- ② WWP® No.4  
《HIND in detail》
- ③ 4+ 《Mi-24》

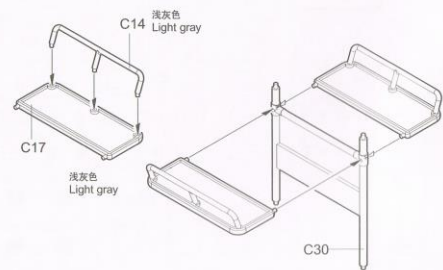
05103

3

1 安全带的组装  
Seat belts assembly



2 载员舱座椅的组装  
Troop seats assembly

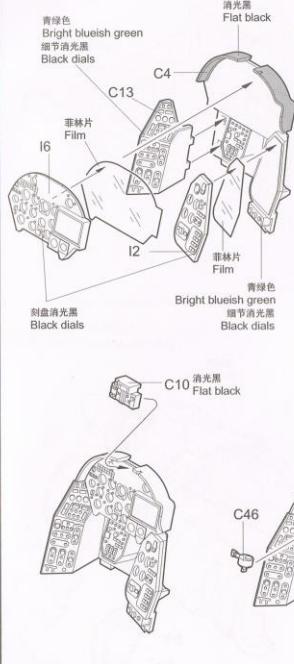


05103

4

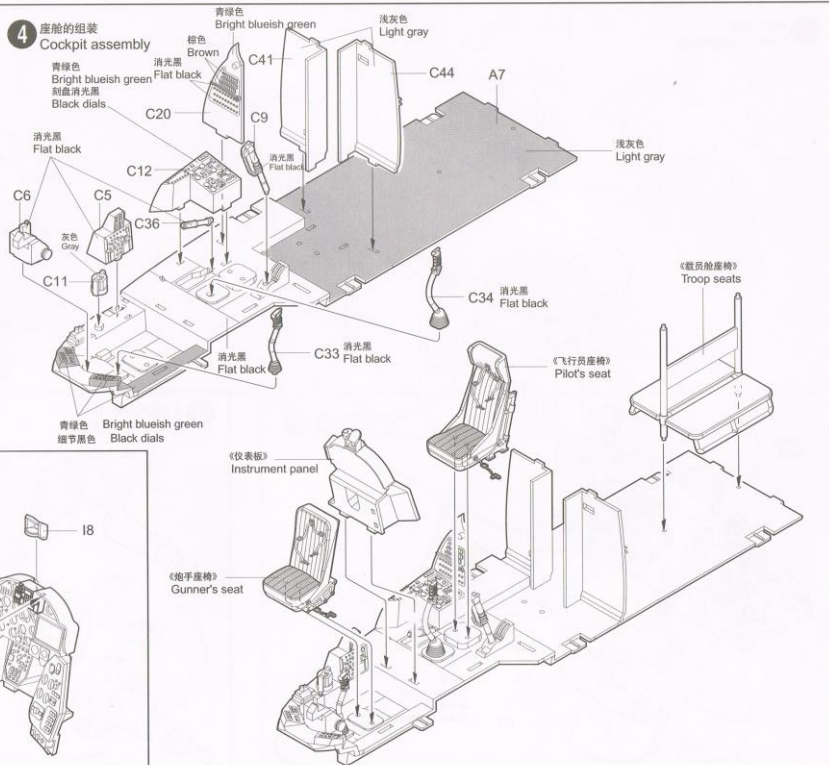


**3** 仪表板的组装  
Instrument panel assembly



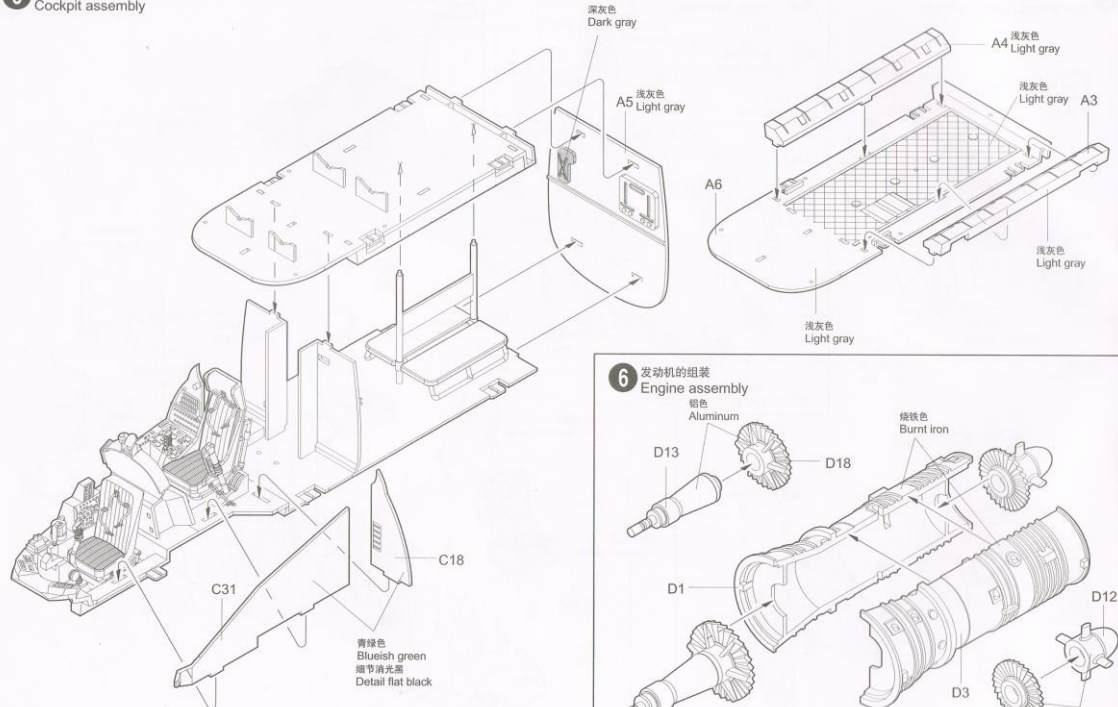
05103

**4** 座舱的组装  
Cockpit assembly



5

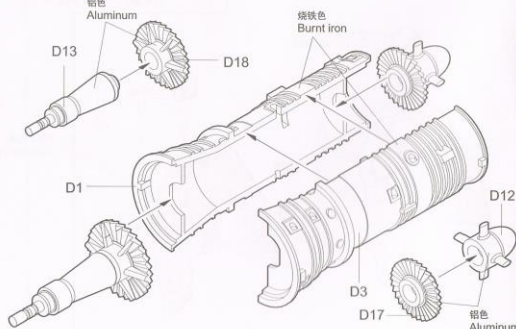
**5** 座舱的组装  
Cockpit assembly

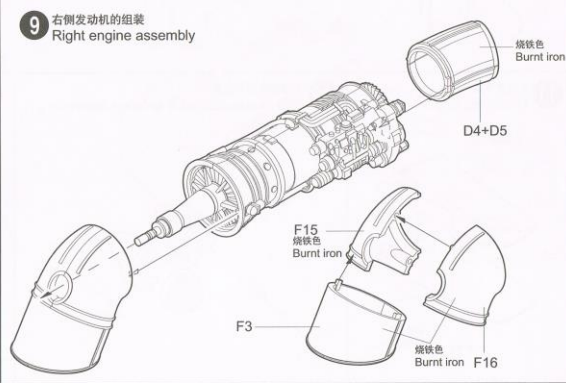
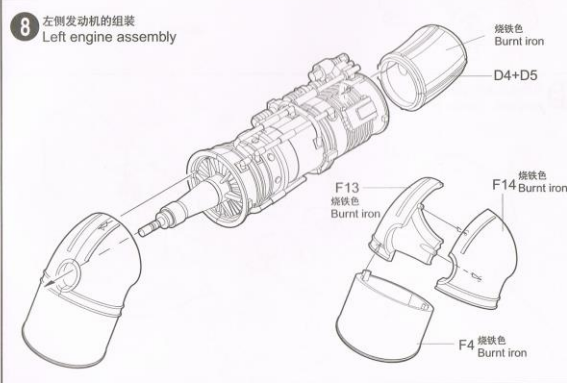
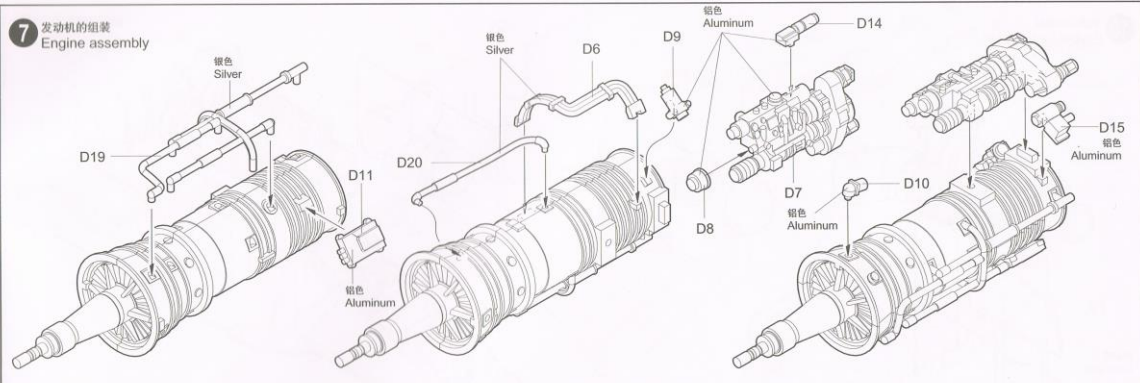


05103

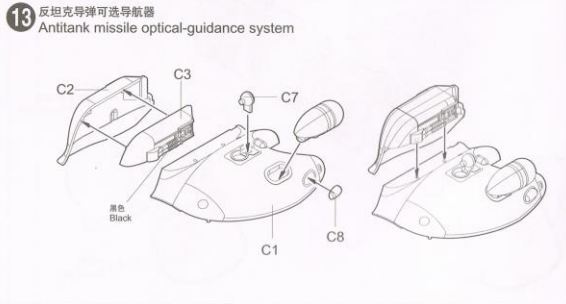
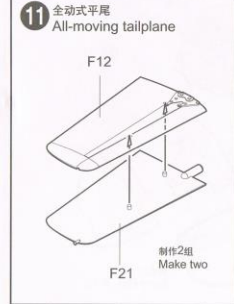
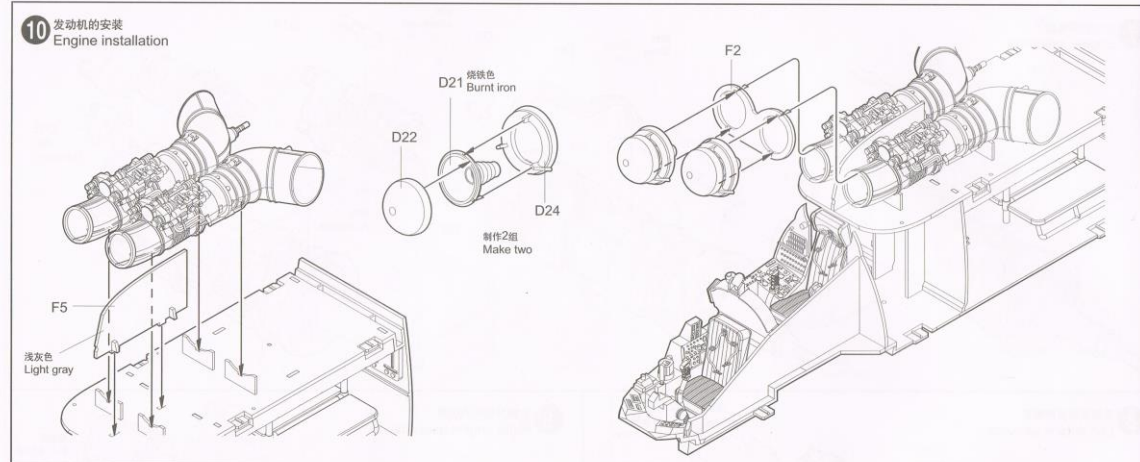
6

**6** 发动机的组装  
Engine assembly





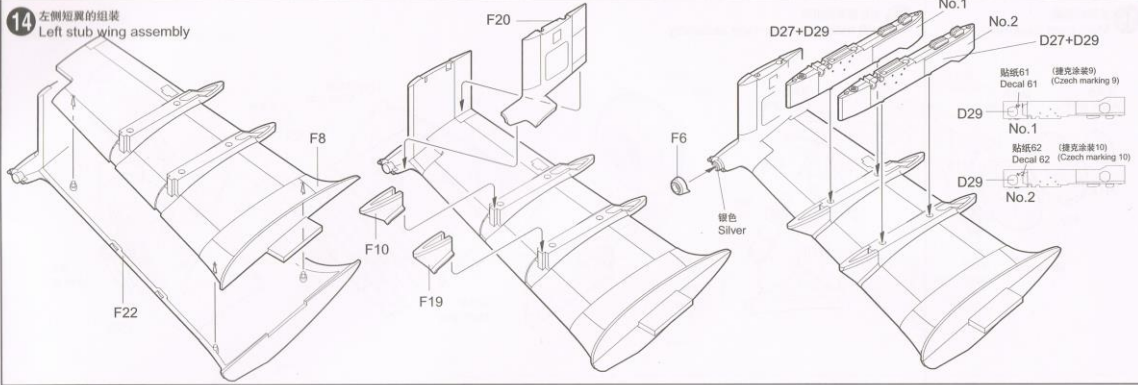
05103 7



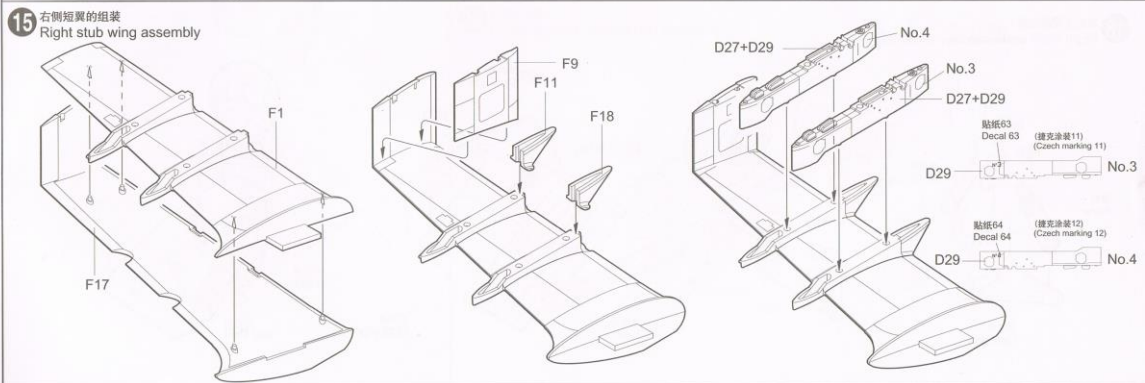
05103 8



**14** 左侧短翼的组装  
Left stub wing assembly



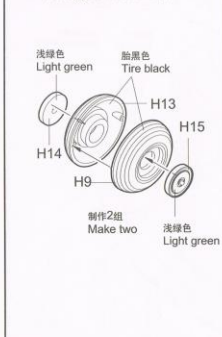
**15** 右侧短翼的组装  
Right stub wing assembly



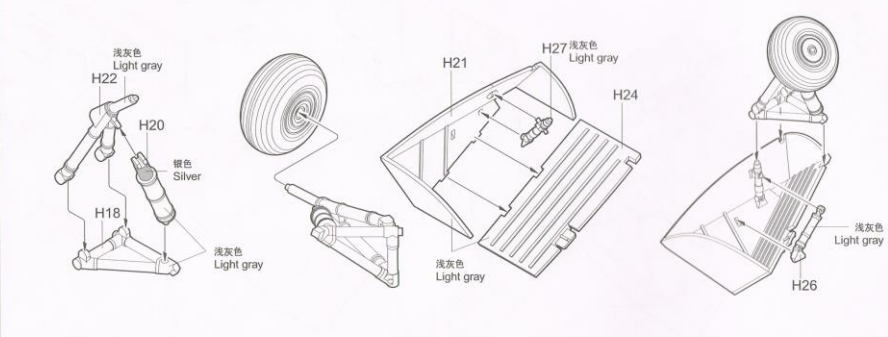
05103

9

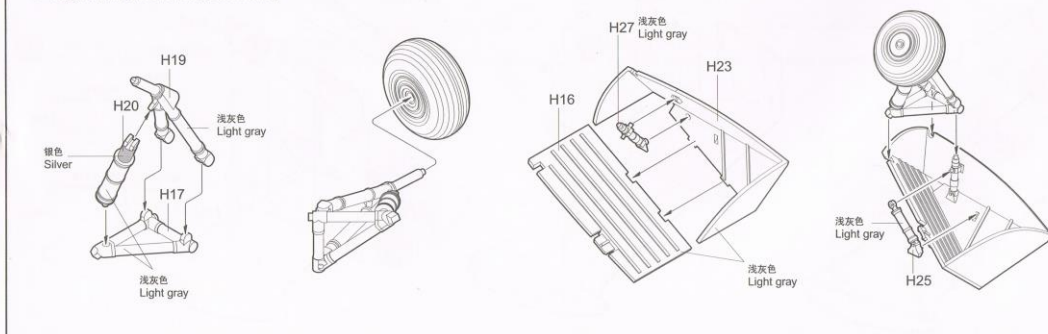
**16** 主轮的组装  
Main gear assembly



**17** 左起落架的组装  
Left main undercarriage assembly



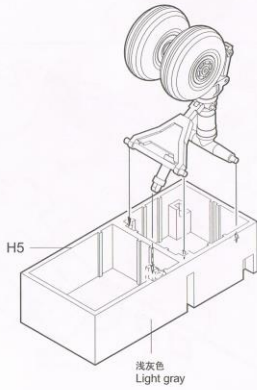
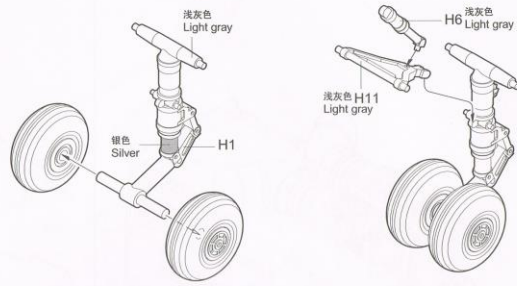
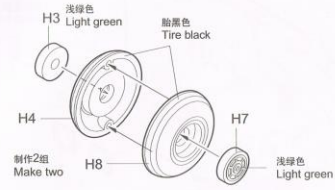
**18** 右起落架的组装  
Right main undercarriage assembly



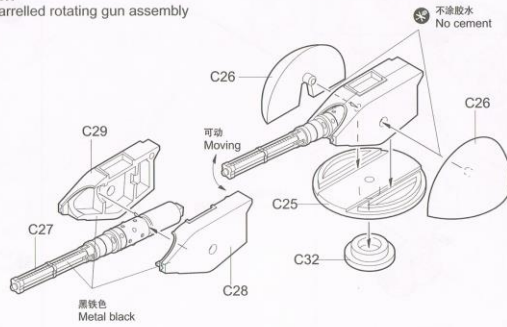
05103

10

**19** 前起落架的组装  
Nose undercarriage assembly



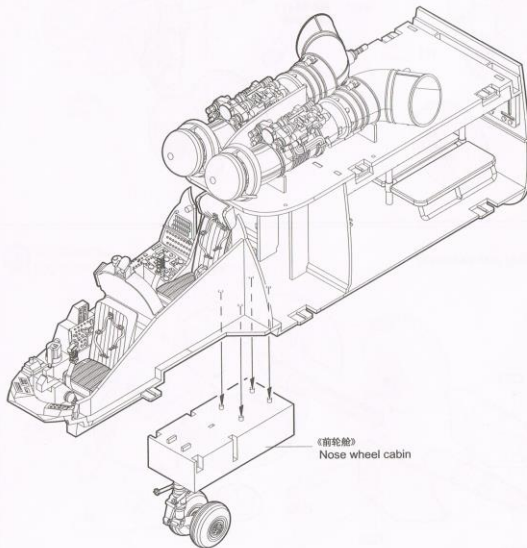
**20** 机炮的组装  
Four-barrelled rotating gun assembly



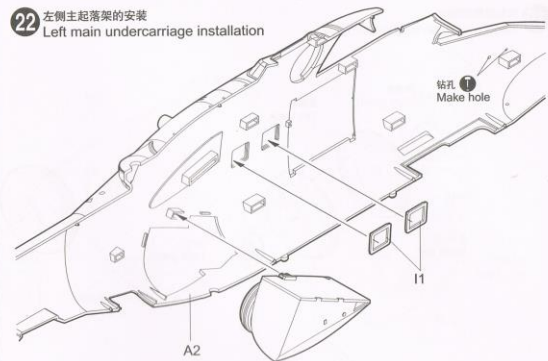
05103

11

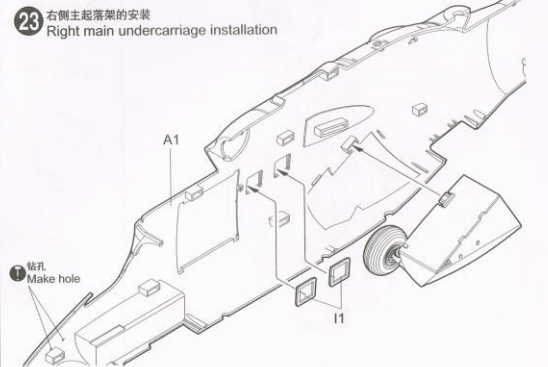
**21** 前轮舱的安装  
Nose wheel cabin installation



**22** 左侧主起落架的安装  
Left main undercarriage installation



**23** 右侧主起落架的安装  
Right main undercarriage installation

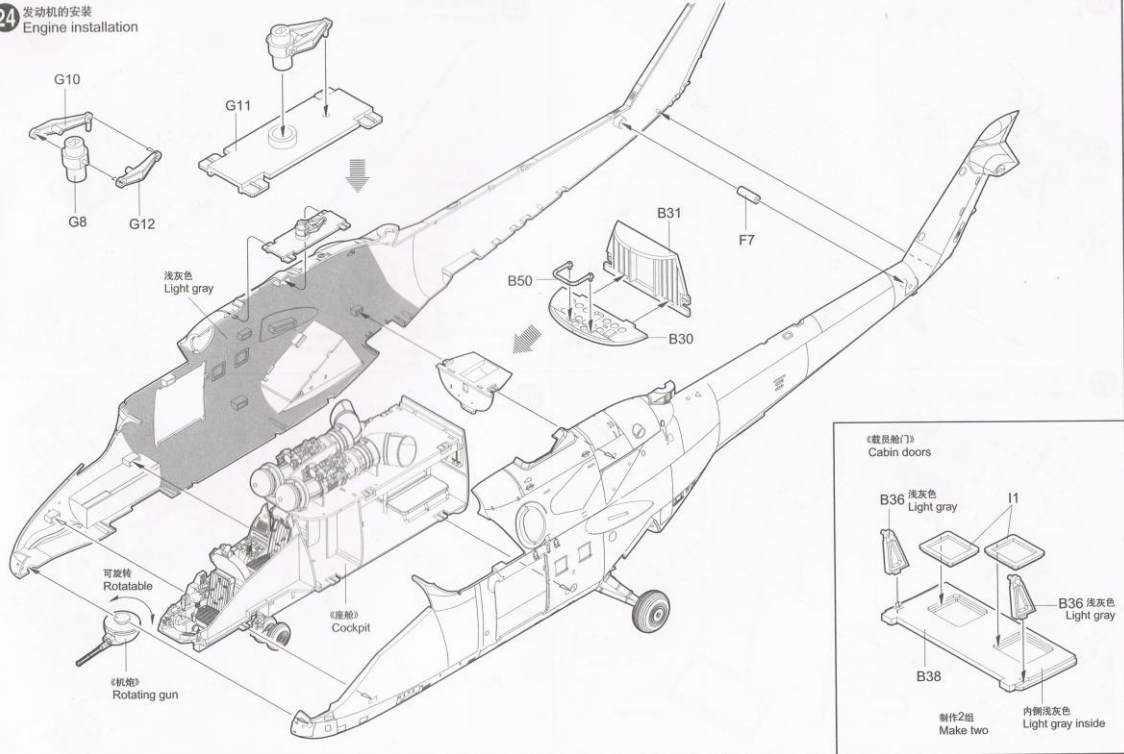


05103

12



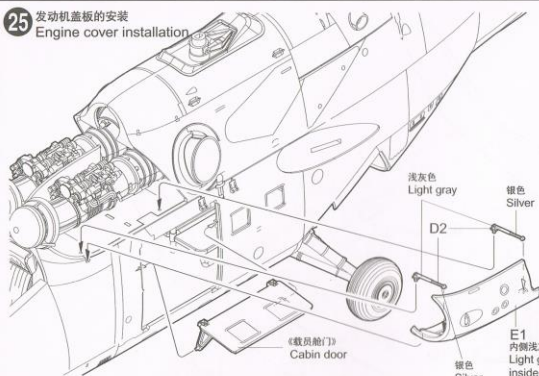
24 发动机的安装  
Engine installation



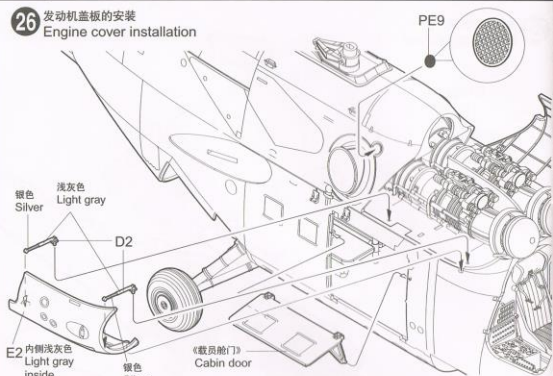
05103

13

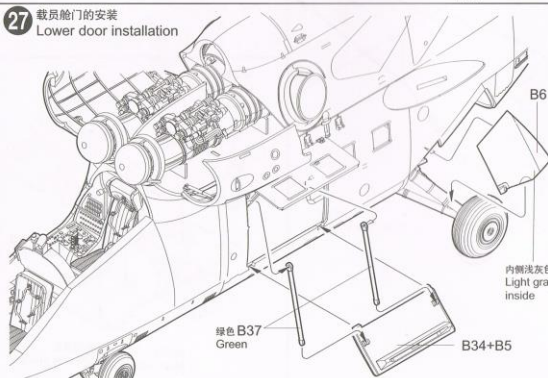
25 发动机盖板的安装  
Engine cover installation



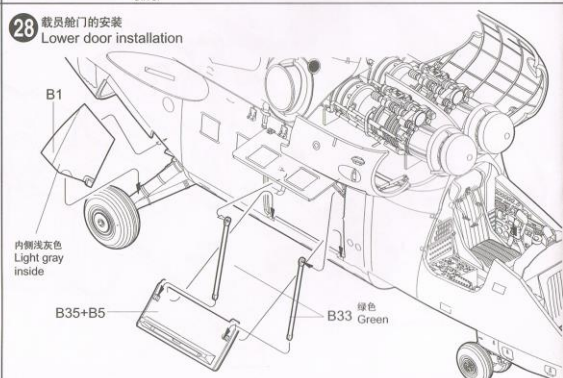
26 发动机盖板的安装  
Engine cover installation



27 载员舱门的安装  
Lower door installation



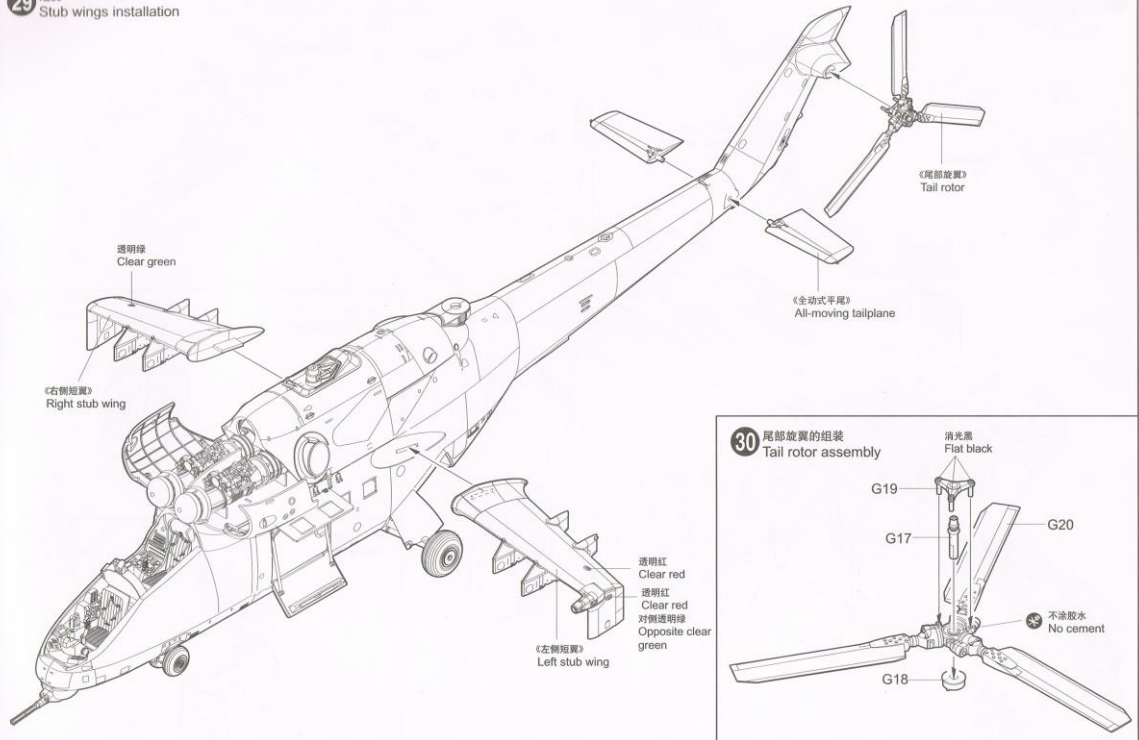
28 载员舱门的安装  
Lower door installation



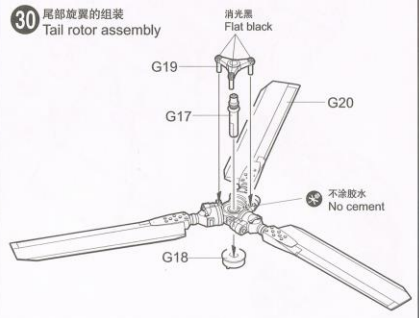
05103

14

29 短翼  
Stub wings installation



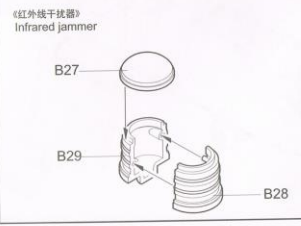
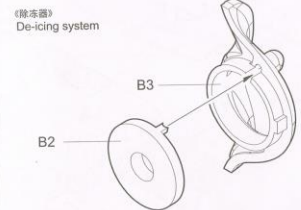
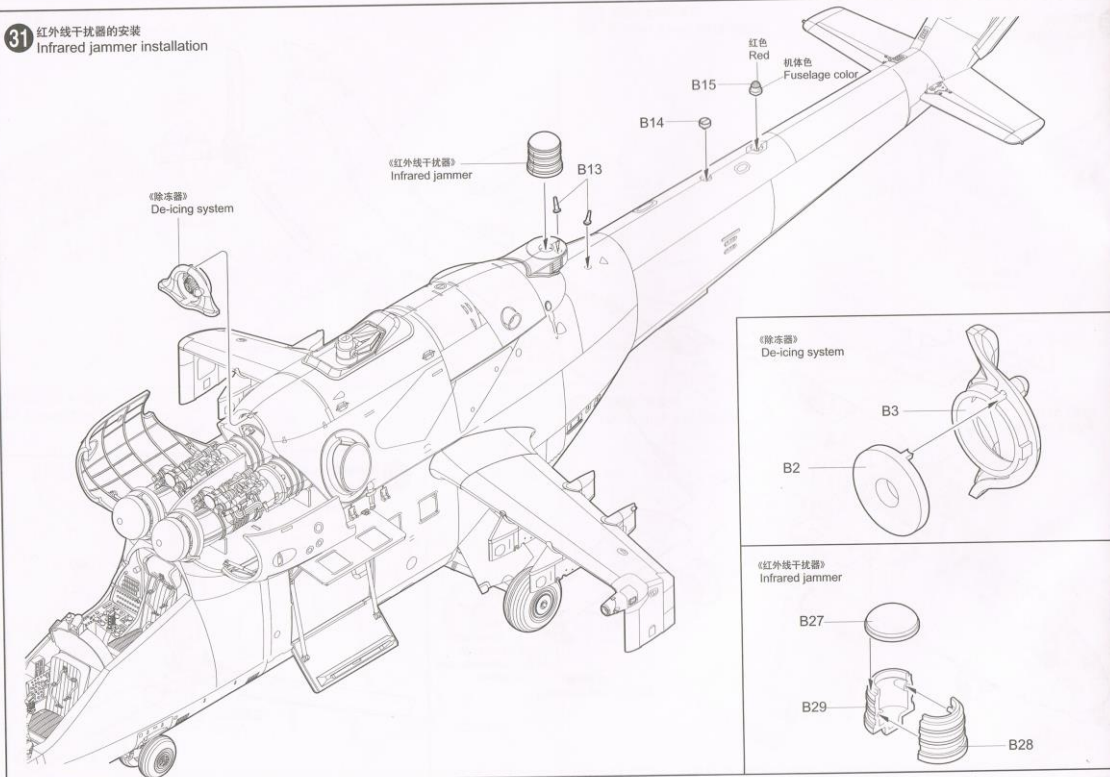
30 尾部旋翼的组装  
Tail rotor assembly



05103

15

31 红外线干扰器的安装  
Infrared jammer installation

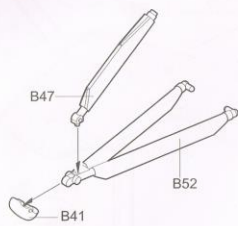


05103

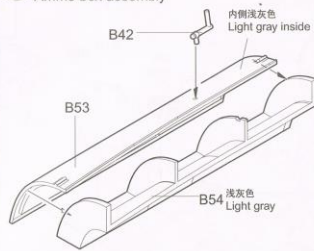
16



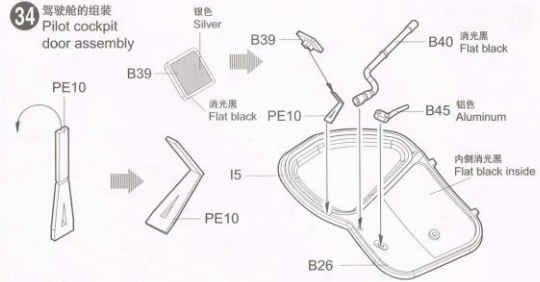
**32** 尾障的组装  
Tail bumper assembly



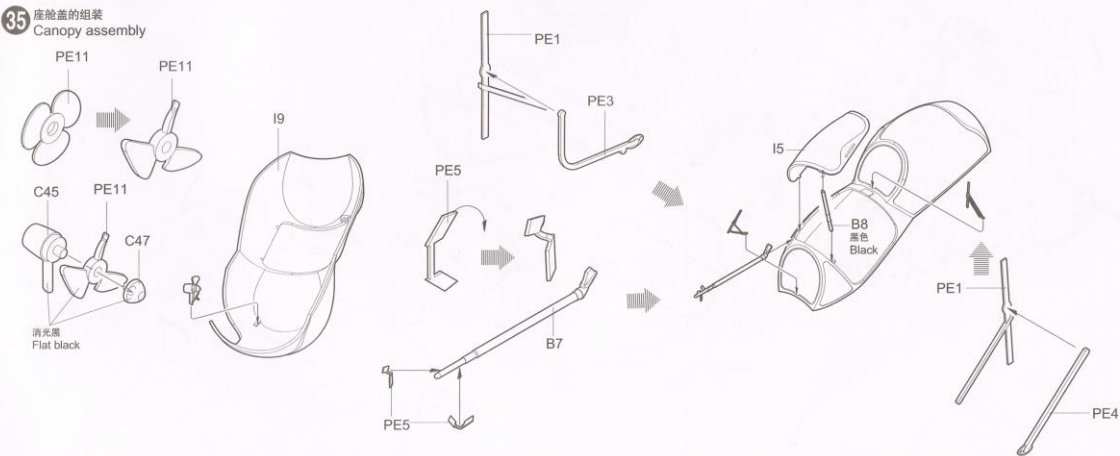
**33** 弹药舱的组装  
Ammo box assembly



**34** 驾驶舱的组装  
Pilot cockpit door assembly



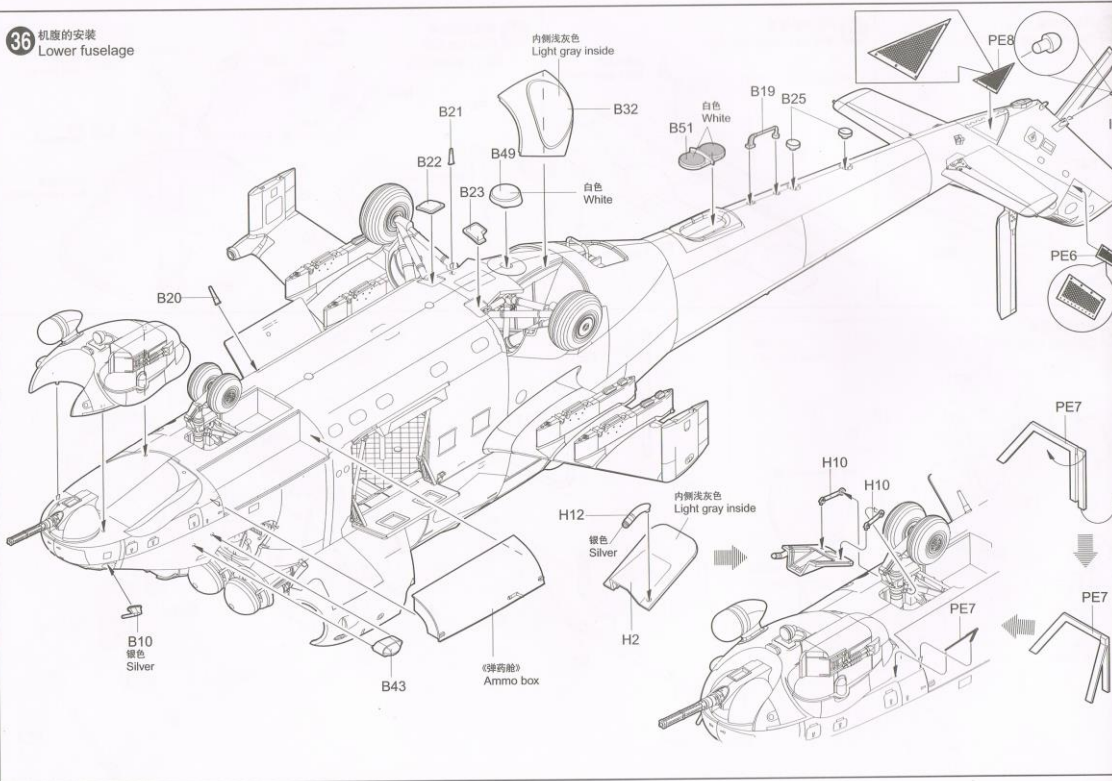
**35** 座舱盖的组装  
Canopy assembly



05103

17

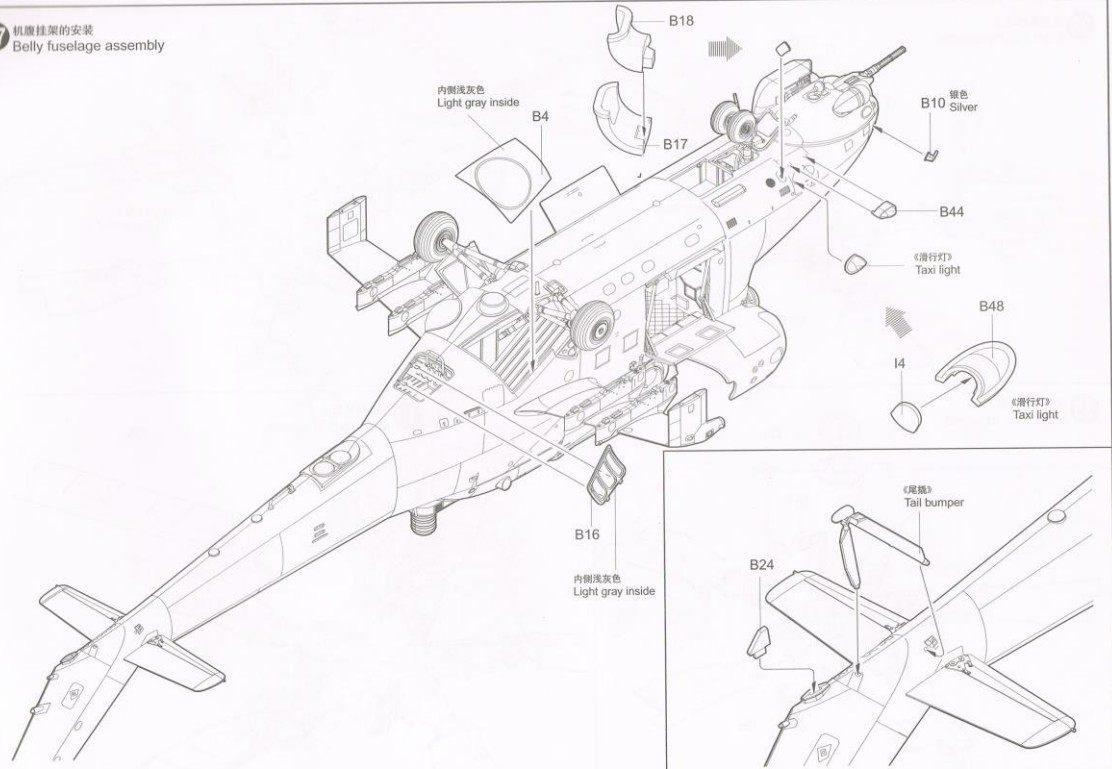
**36** 机腹的安装  
Lower fuselage



05103

18

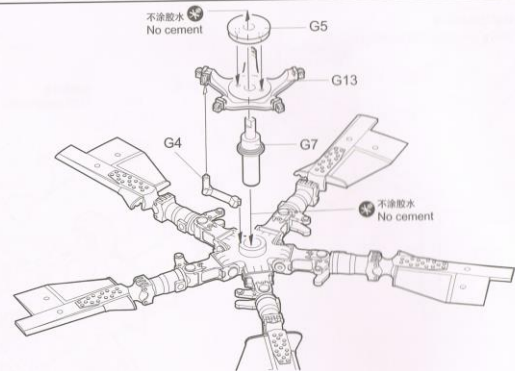
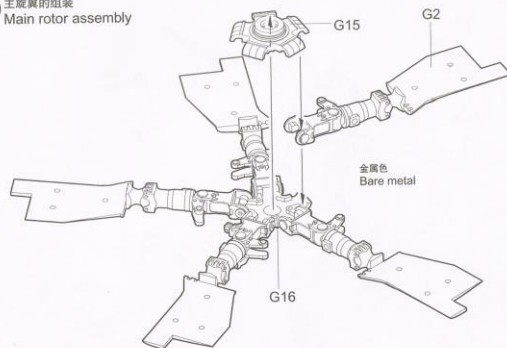
**37** 机腹挂架的安装  
Belly fuselage assembly



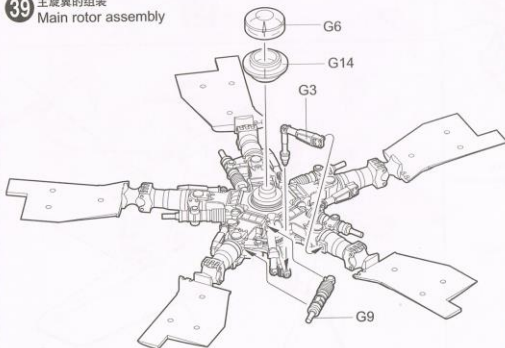
05103

19

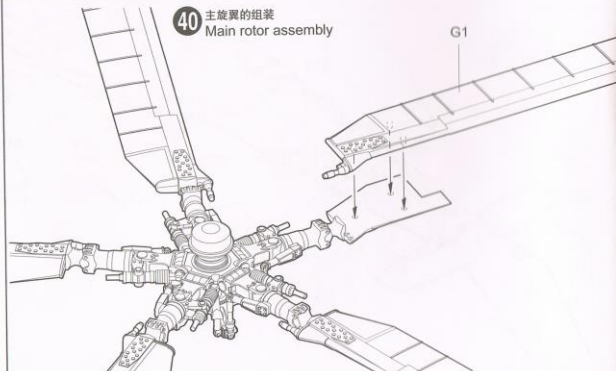
**38** 主旋翼的组装  
Main rotor assembly



**39** 主旋翼的组装  
Main rotor assembly



**40** 主旋翼的组装  
Main rotor assembly

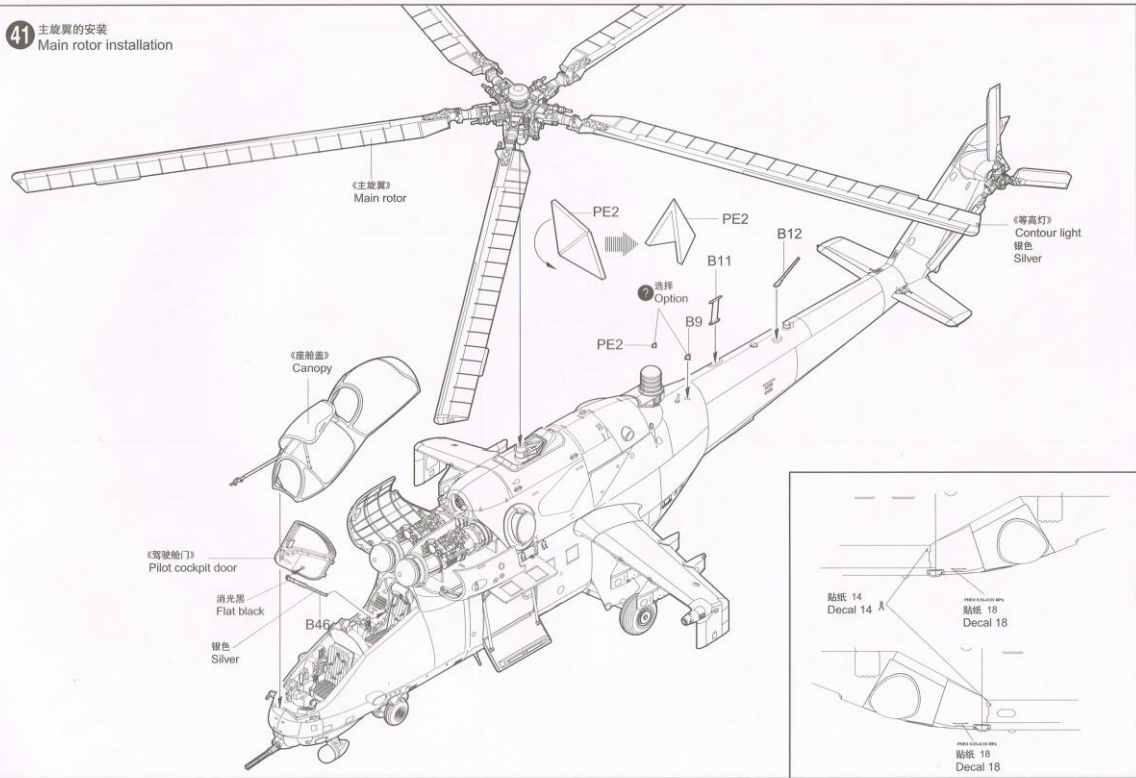


05103

20

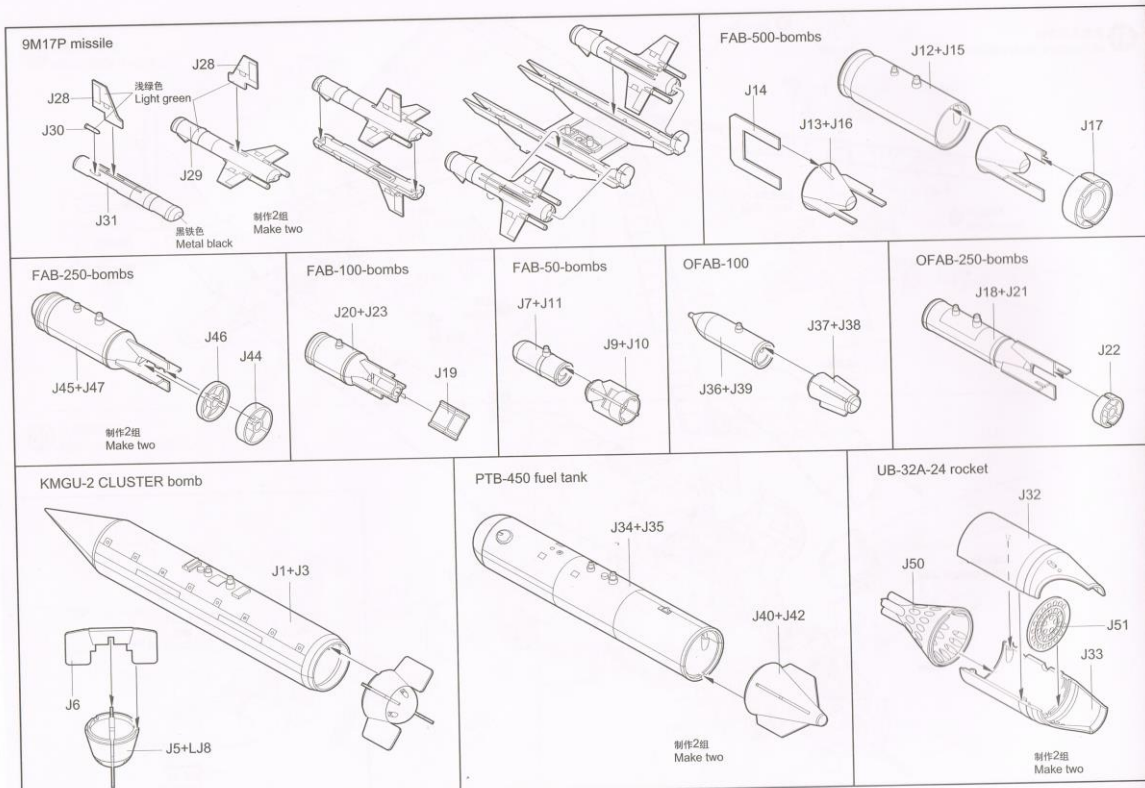


41 主旋翼的安装  
Main rotor installation



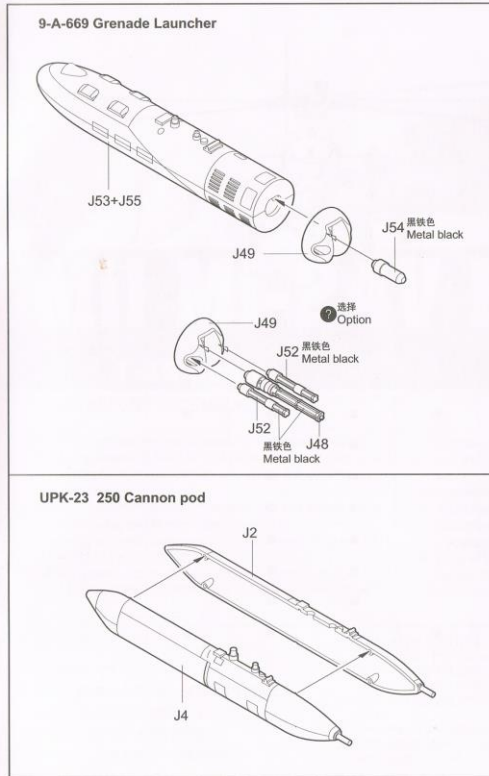
05103

21

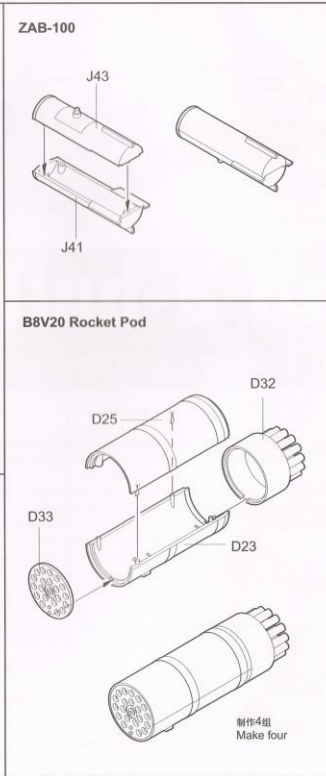


05103

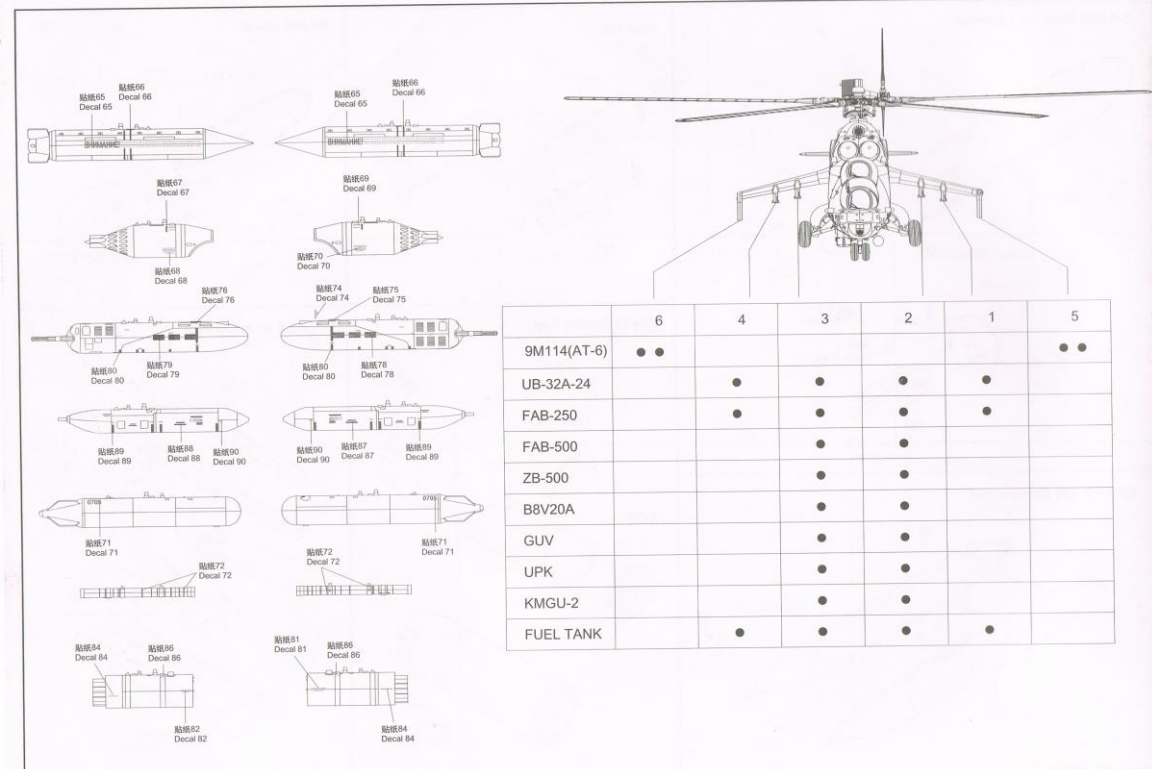
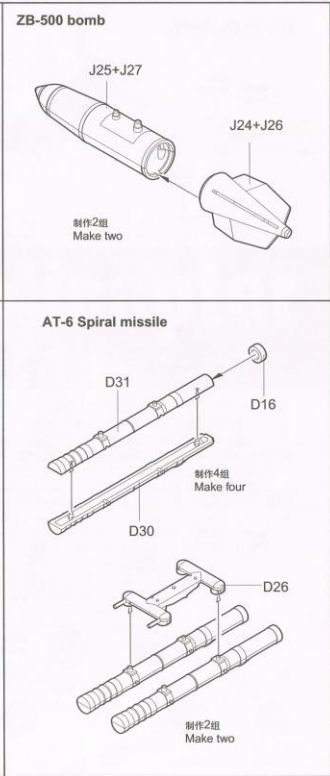
22



05103



23



05103

24



涂装同标贴指示  
Painting & Marking guide

F37638	F33785	F33618	F33675	F33645	F33496	F33629	F33407	F32472
Flat Black	White	Dark Grey	Light Grey	Light Stone	Green	Blue grey	Olive Drab	Orange

(1) Mi-24V Hind-E "Blue 04"-CIS Army-ILA Berlin-Brandenburg 1992.



涂装同标贴指示  
Painting & Marking guide

(2) Mi-24V "Tiger 0705" Czech Air Force Kleine Brogel(EBBL) Belgium, August 1998.

