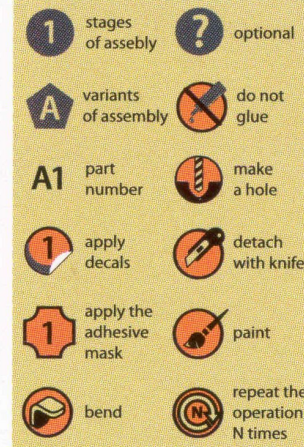


1. If necessary prepare the surface of the kit parts - remove unwanted items, polish and degrease.
2. Remove the elements of painting masks from the subbase with a spatula and tweezers, bending the paper in place of the workpiece edge.
3. Transfer the mask elements to the prepared surfaces of the cockpit cover kit parts and wheel hubs in accordance with their numbers. First, mask the outer surface of the glazing, focusing on the framing line, then internal if present, focusing on the contours of the exterior elements previously deposited masks.
4. Paint the interior cockpit cover, using the minimum required amount of paint.
5. Remove the internal elements of the masks. If necessary, trim the edge of the mask in order to avoid detachment the paint.
6. Paste the items in a model and paint it first interior color, then at the color of the outer surface. After that remove the remaining mask elements with wooden toothpick. If necessary, gently trim the edge of the mask.

Warning. Don't leave masks on clear parts for a long time. Use with care on clear parts coated with "Pledge (Future) Floor Wax".

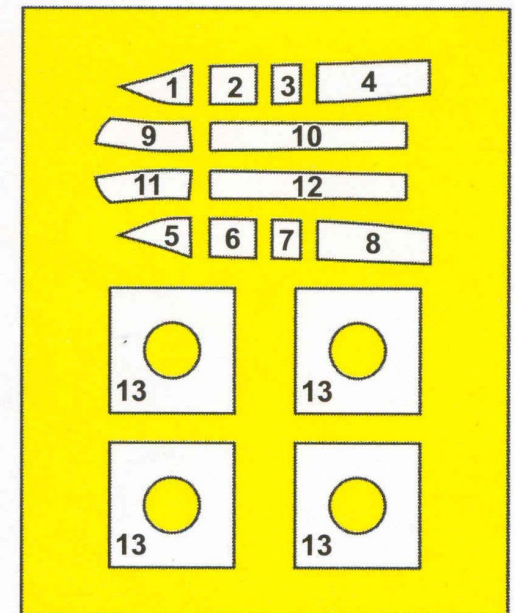
Our tip. For removing mask parts we recommend to use spatula madden from wooden toothpick. This prevent clear parts from possible damaging.

For more information visit our website clearpropmodels.com



THIS SET CONTAINS:

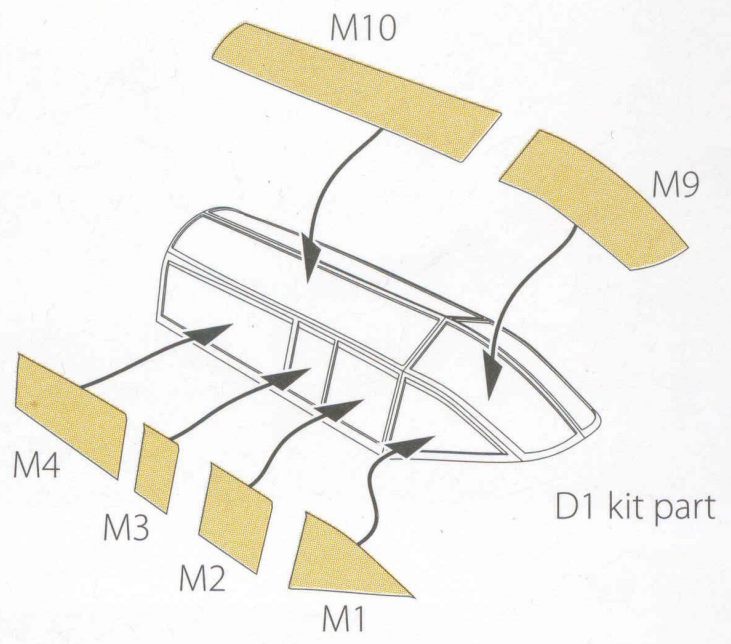
MADE FROM YELLOW KABUKI TYPE PAPER



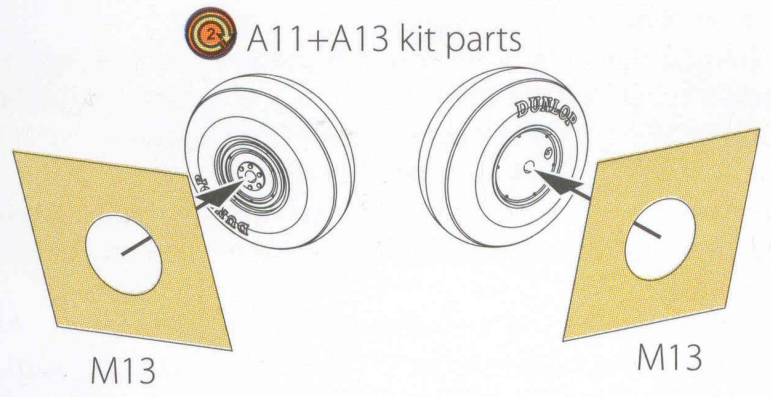
This product contains metal and resin detail parts for upgrading scale plastic models.

WARNING! This set contains small and sharp parts. Work carefully in a ventilated and well-lit room. Safety glasses are recommended. This product is not suitable for children below 14 years age.

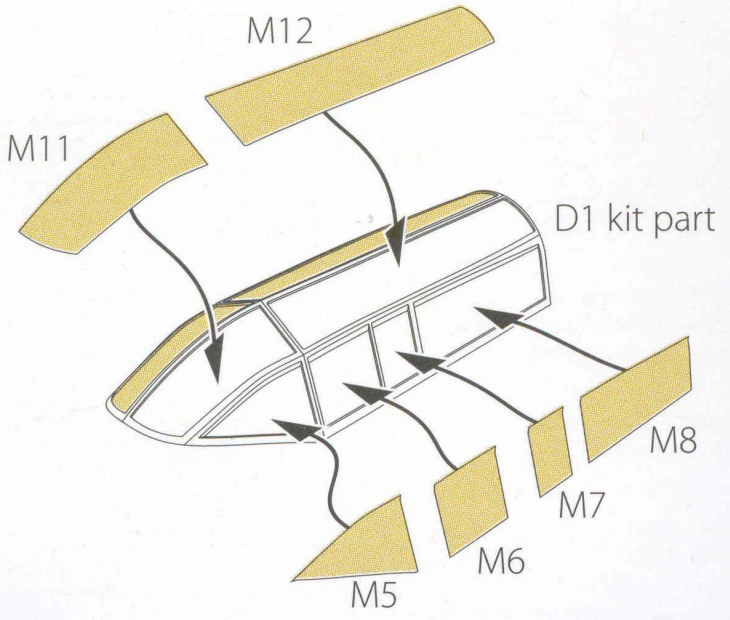
1



3



2



VISIT OUR SITE FOR MORE ACCESSORIES SETS
clearpropmodels.com

FC-1 FIERCE DRAGON PAINTING MASK
 ACCESSORIES SET FOR TRUMPETER KIT
1:72
 #CPA72131
 NUMBER OF PARTS: 25 pcs

PAINTING MASK DOUBLE-SIDED

made in Ukraine

DH.88 Comet
painting mask
for CP kit
1:72
CPA-72134

ACCESSORIES
for scale plastic kits



www.clearpropmodels.com
info@clearpropmodels.com

WARNING: Kit contains small and sharp parts.
Suitable for age 14 and above.