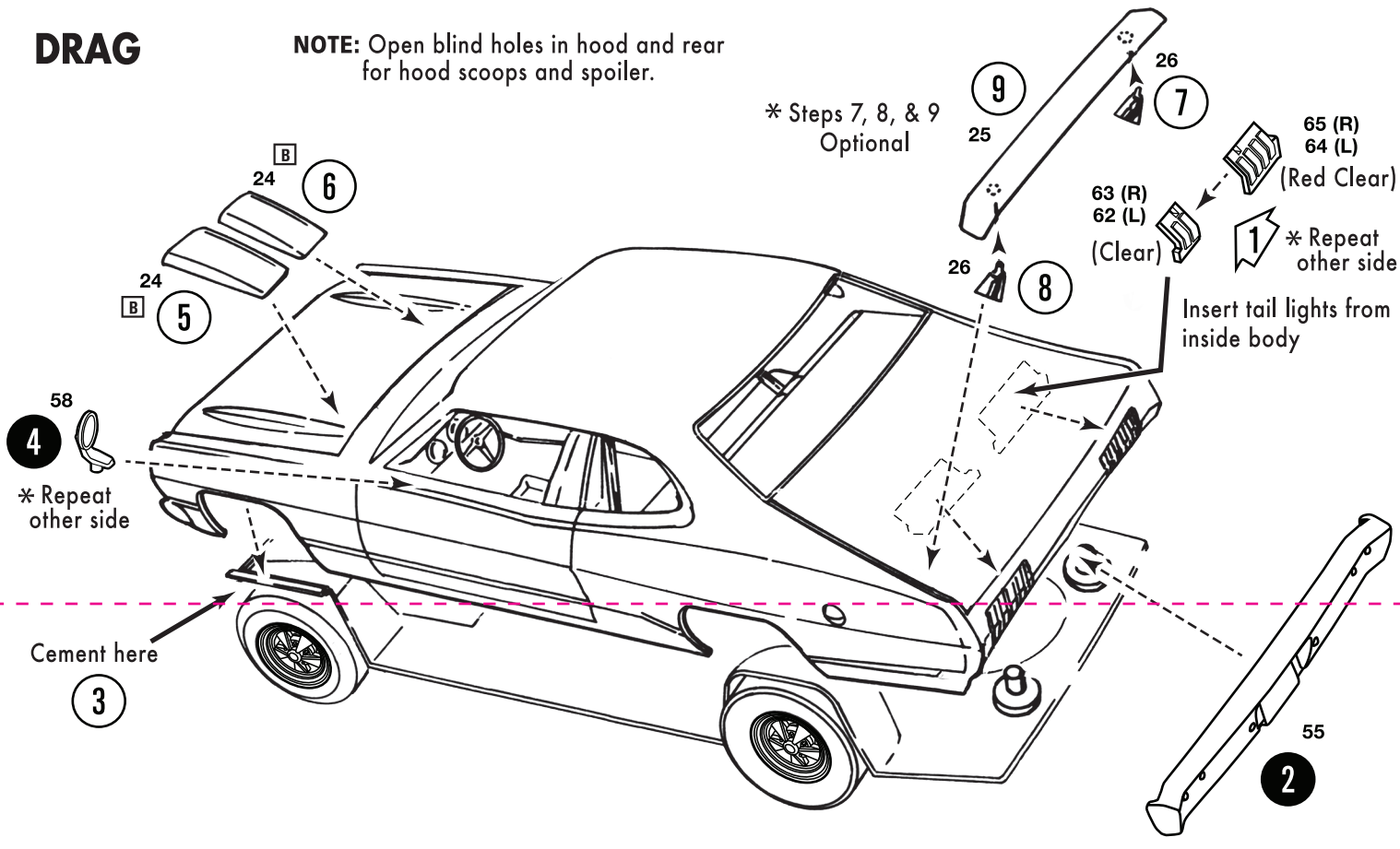


'71 Dodge Demon

DRAG

NOTE: Open blind holes in hood and rear for hood scoops and spoiler.



IMPORTANT: READ THIS FIRST

You may build this kit more than one way. Before you begin building, look over the instructions carefully. Following the procedure given, test-fit parts together without cementing, after you've decided what version to build. This way you will be more familiar with the location of parts when it becomes time to use cement.

For removing small parts from the "runners" it is best to use a modelers knife, do not attempt to "twist" them off.

The highest quality styrene plastic goes into the making of each MPC model. Only paint and cement made for styrene should be used.

Before joining parts, trim off excess plastic or "flash." Scrape plating from chromed parts where they are to be joined with other parts. Be careful not to get cement on exposed areas. To join parts, use cement sparingly. Apply cement to very small parts with a toothpick.

When painting your model it is best to cement all non-chromed accessories to the body and paint the whole unit at one time. You should have no trouble assembling your kit if the instructions are followed properly. The parts are numbered in order of assembly.



Dodge, and related logos, vehicle model names and trade dress are trademarks of FCA US LLC and used under license by Round 2 LLC. ©2023 FCA US LLC. MPC is a registered trademark of Round 2, LLC. ©2023 Round 2, LLC, South Bend, IN 46628 USA. Product and packaging designed in the USA. Made in China. All rights reserved.

☆ PAINTING GUIDE ☆

A BLACK	M TRANSPARENT AMBER	Y DARK GREEN
B FLAT BLACK	N RED	Z SATIN BLACK
C SEMI-GLOSS BLACK	O TRANSPARENT RED	AA FLAT ALUMINUM
D WHITE	P ORANGE	IC INTERIOR COLOR
E FLAT WHITE	Q YELLOW	BC BODY COLOR
F SILVER	R TAN	▲ SEMI-GLOSS
G CHROME	S BROWN	△ GLOSS
H ALUMINUM	T LT. BLUE	▲ METALLIC
I STEEL	U MED. BLUE	
J CAST IRON	V DARK BLUE	
K GOLD	W TRANSPARENT BLUE	
L AMBER	X LT. GREEN	

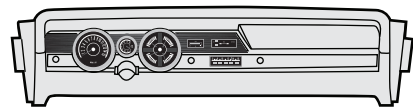
2 — PLATED — **1**

2 — NON-PLATED — **1**

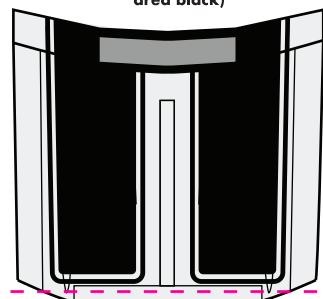
STARTING SYMBOL

DECAL PLACEMENT

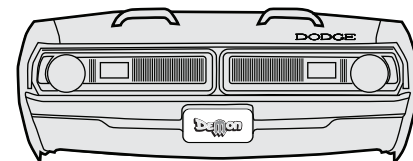
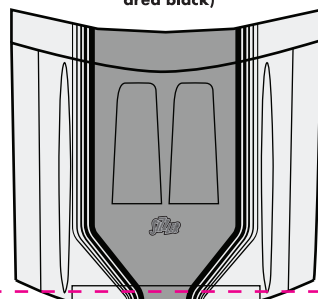
NOTE: Test fit decals before application.



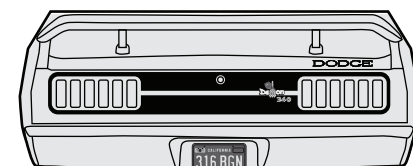
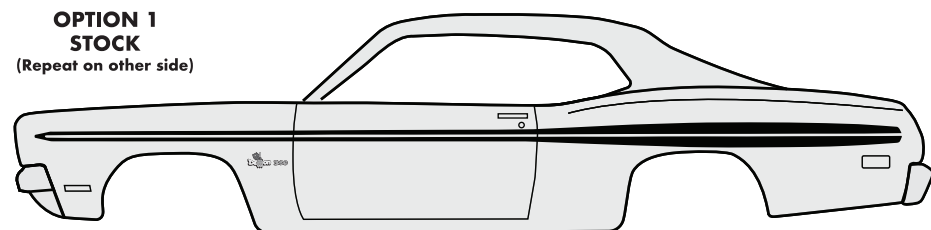
OPTION 1
(Paint gray shaded area black)



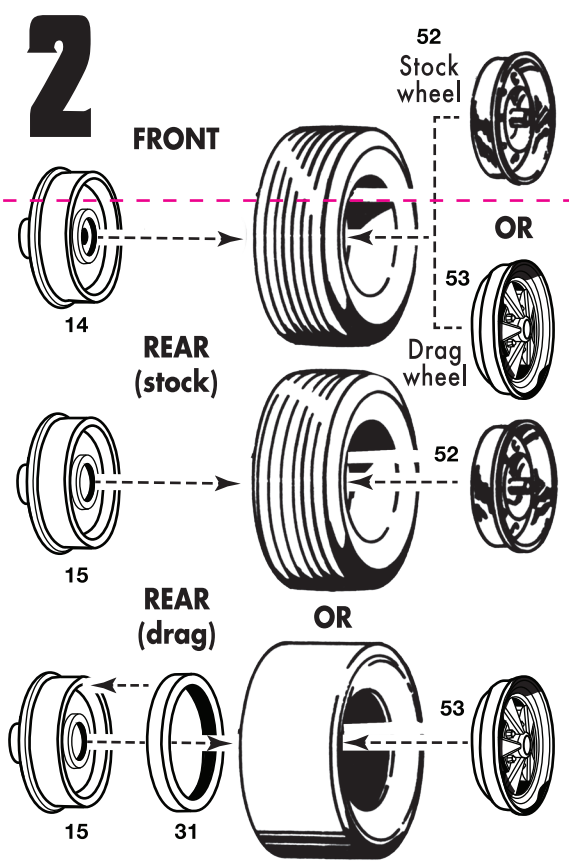
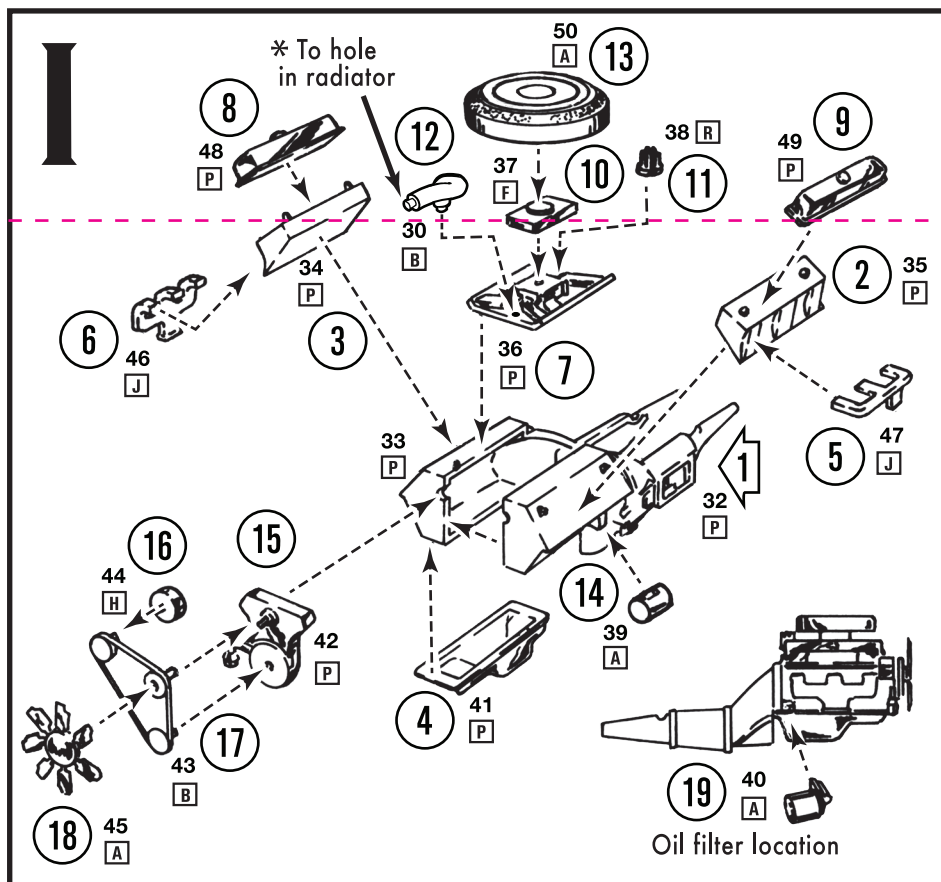
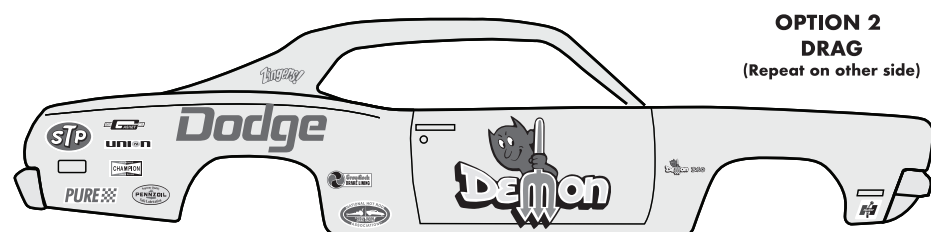
OPTION 2
(Paint gray shaded area black)



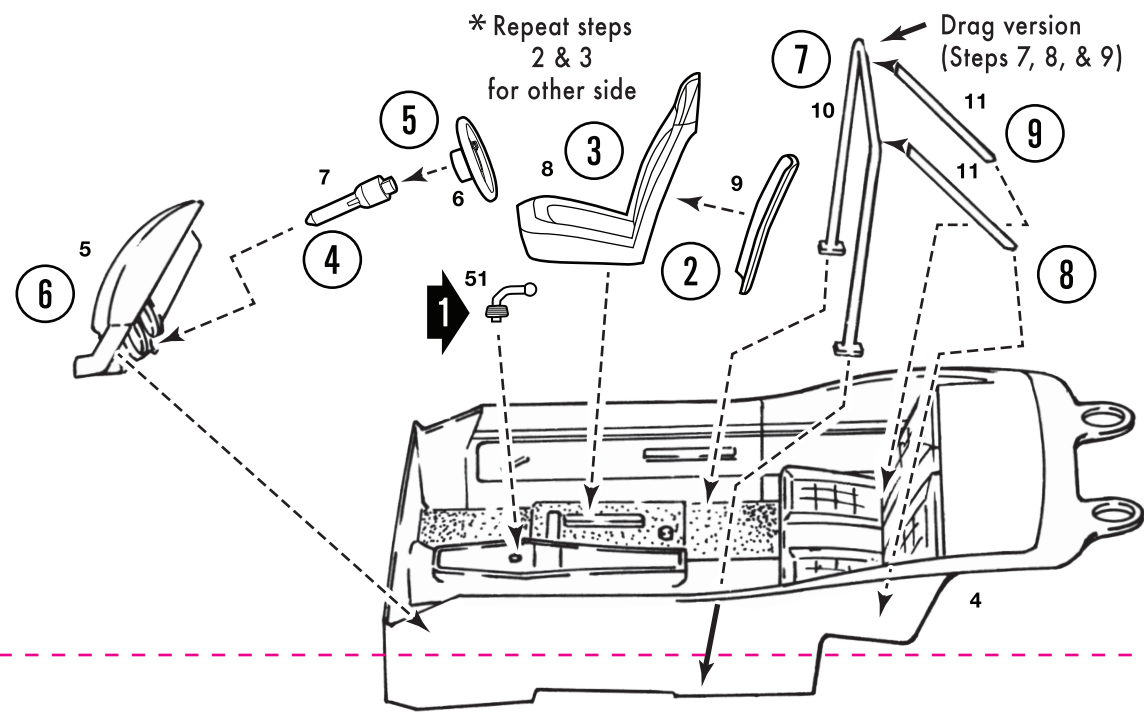
OPTION 1 STOCK
(Repeat on other side)



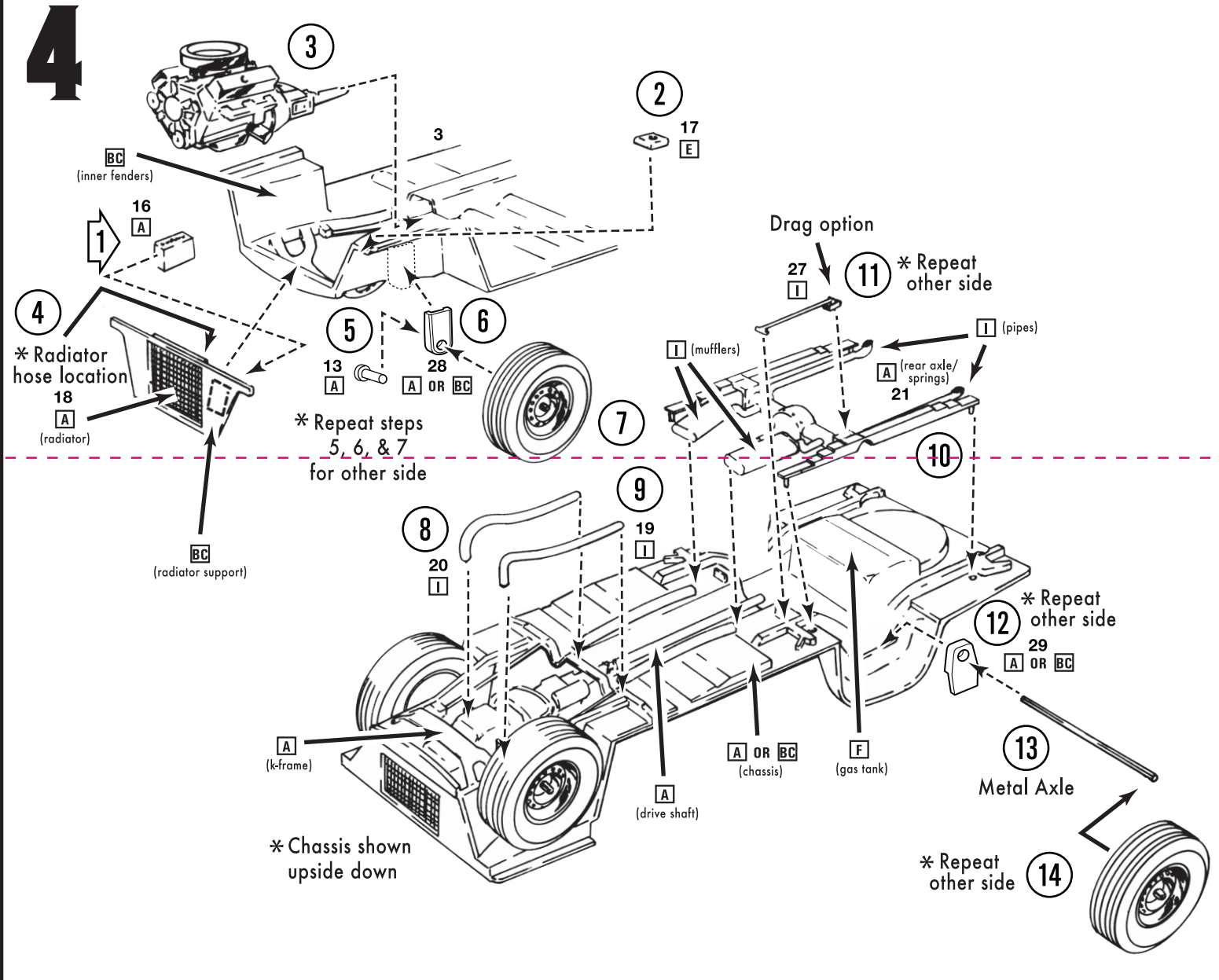
OPTION 2 DRAG
(Repeat on other side)



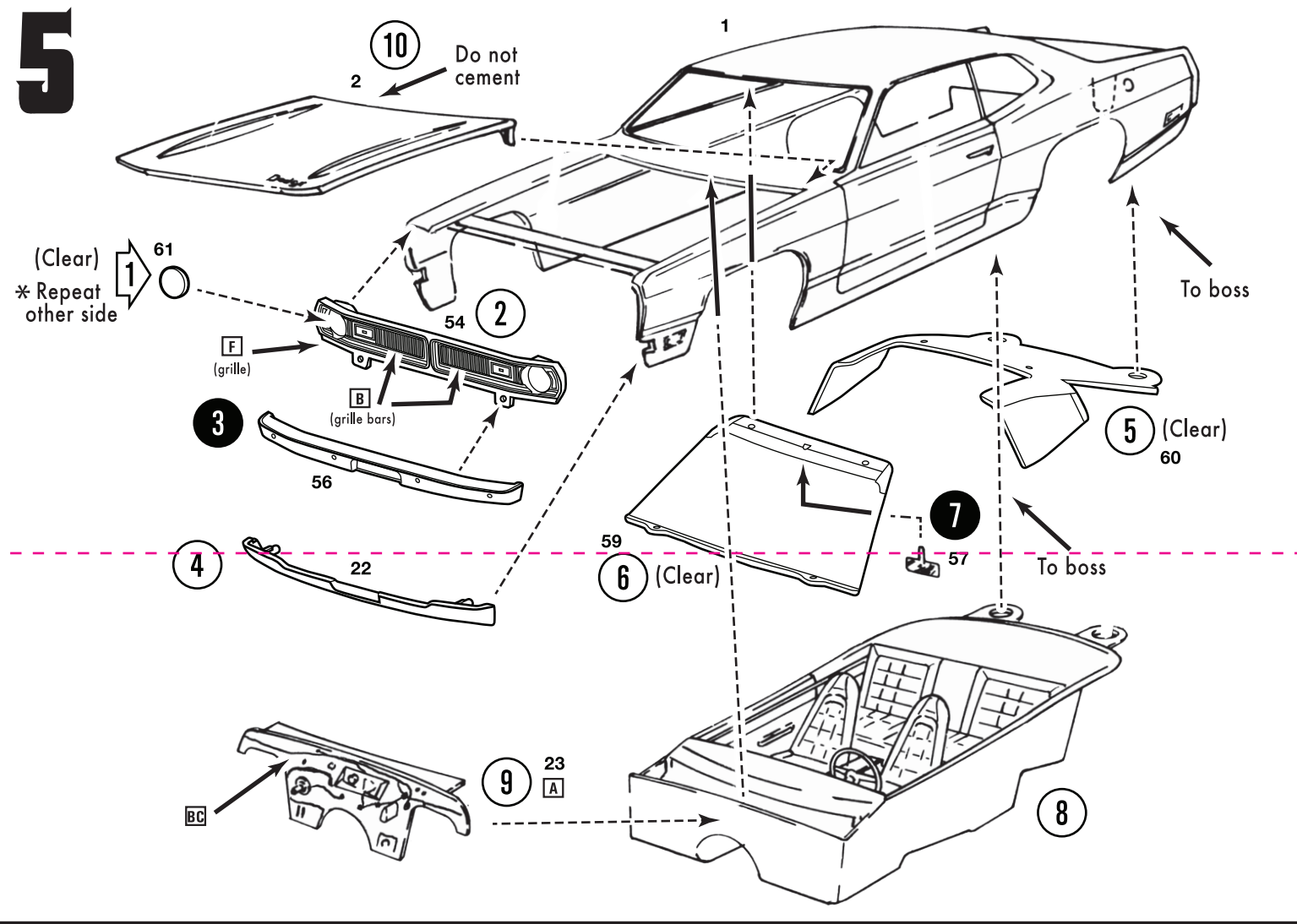
3



4



5



6

