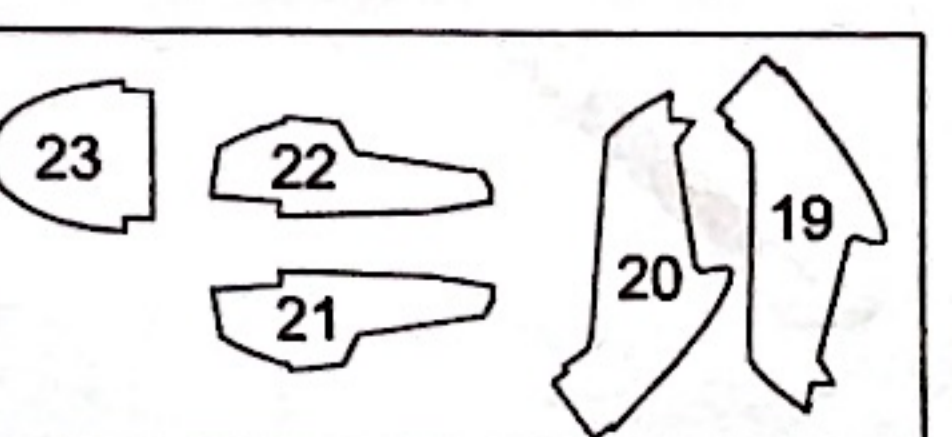
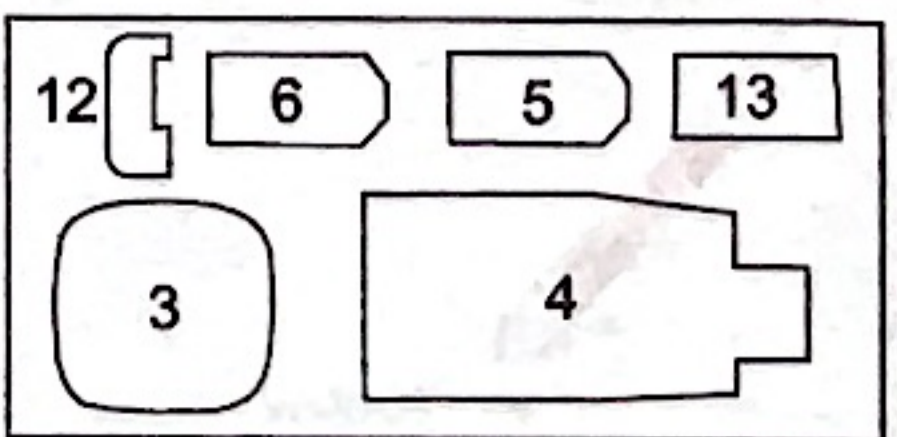
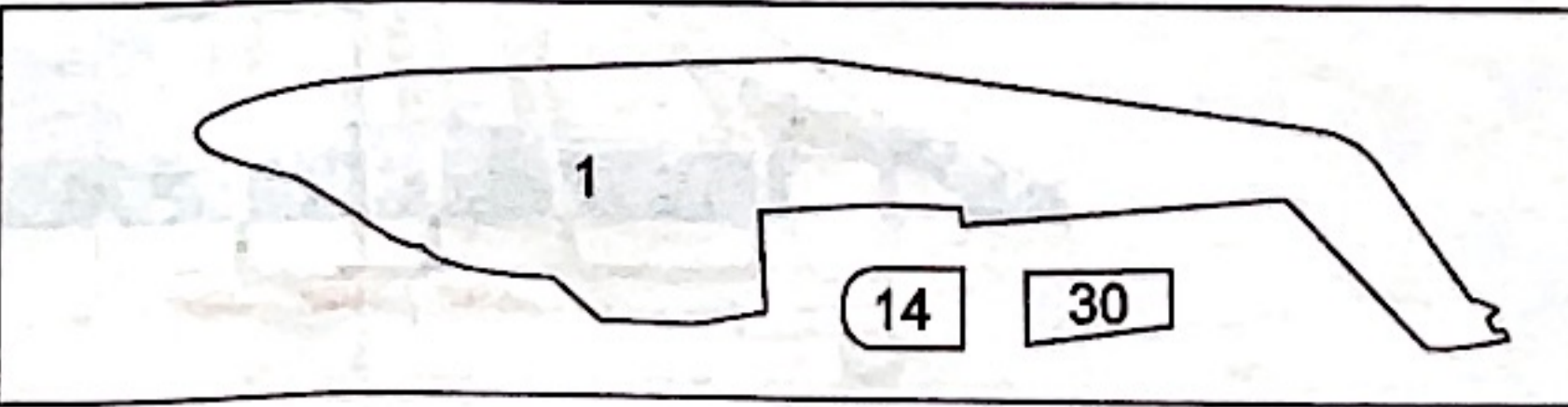
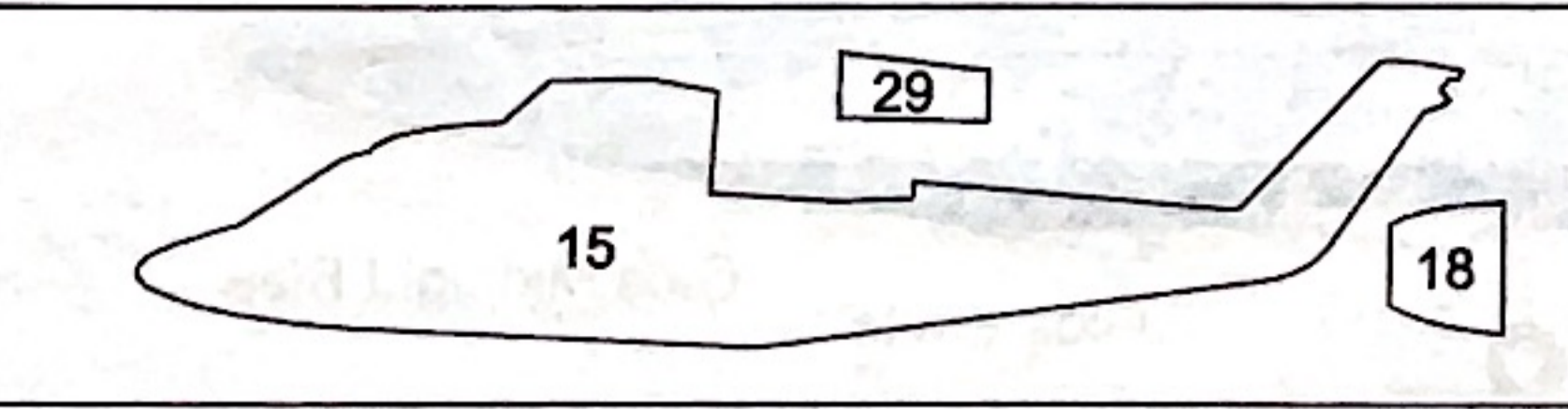
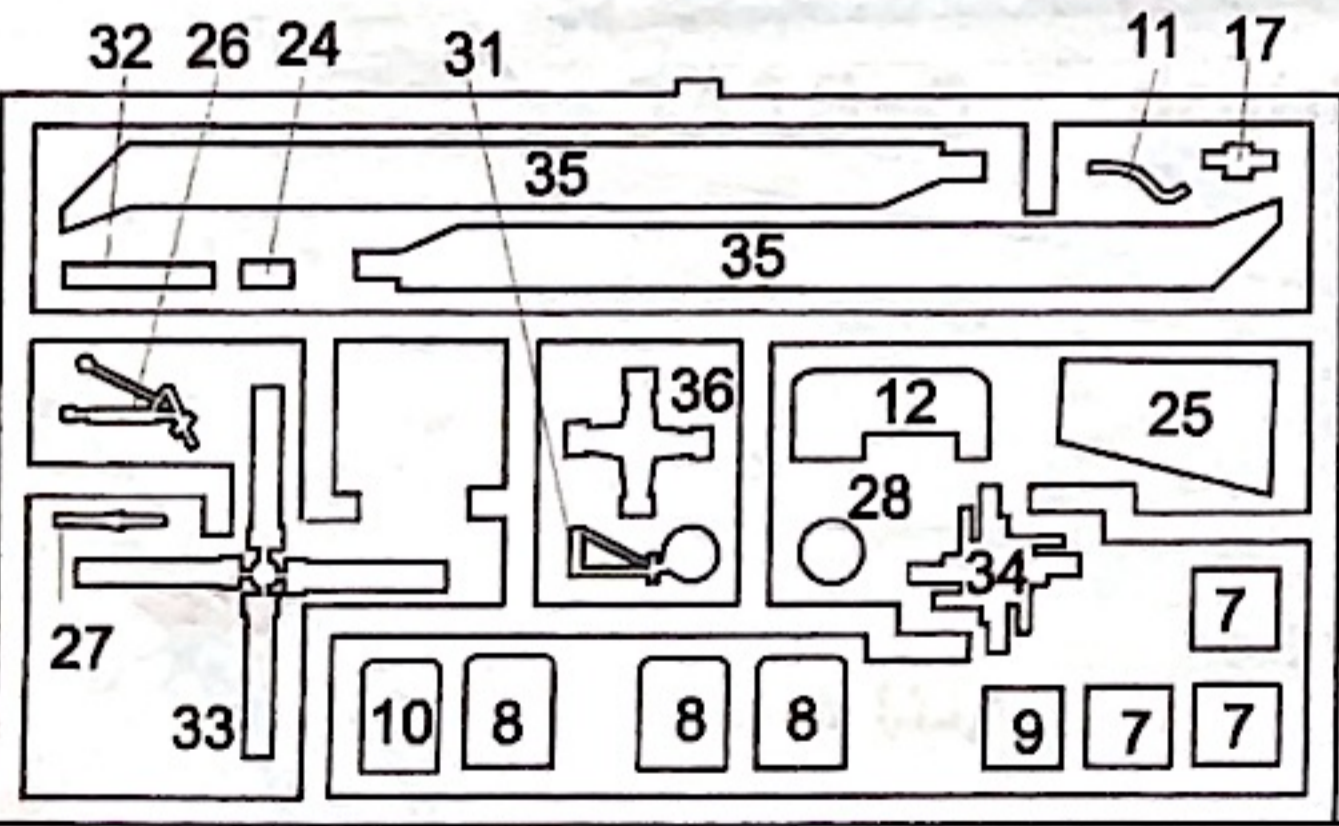
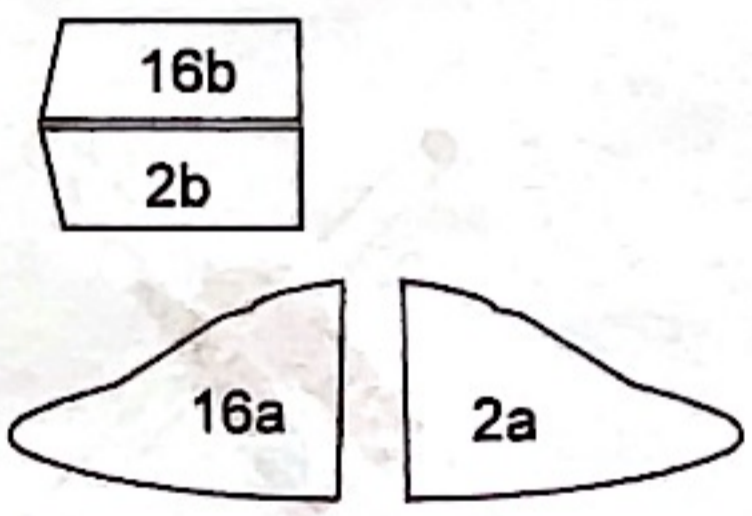
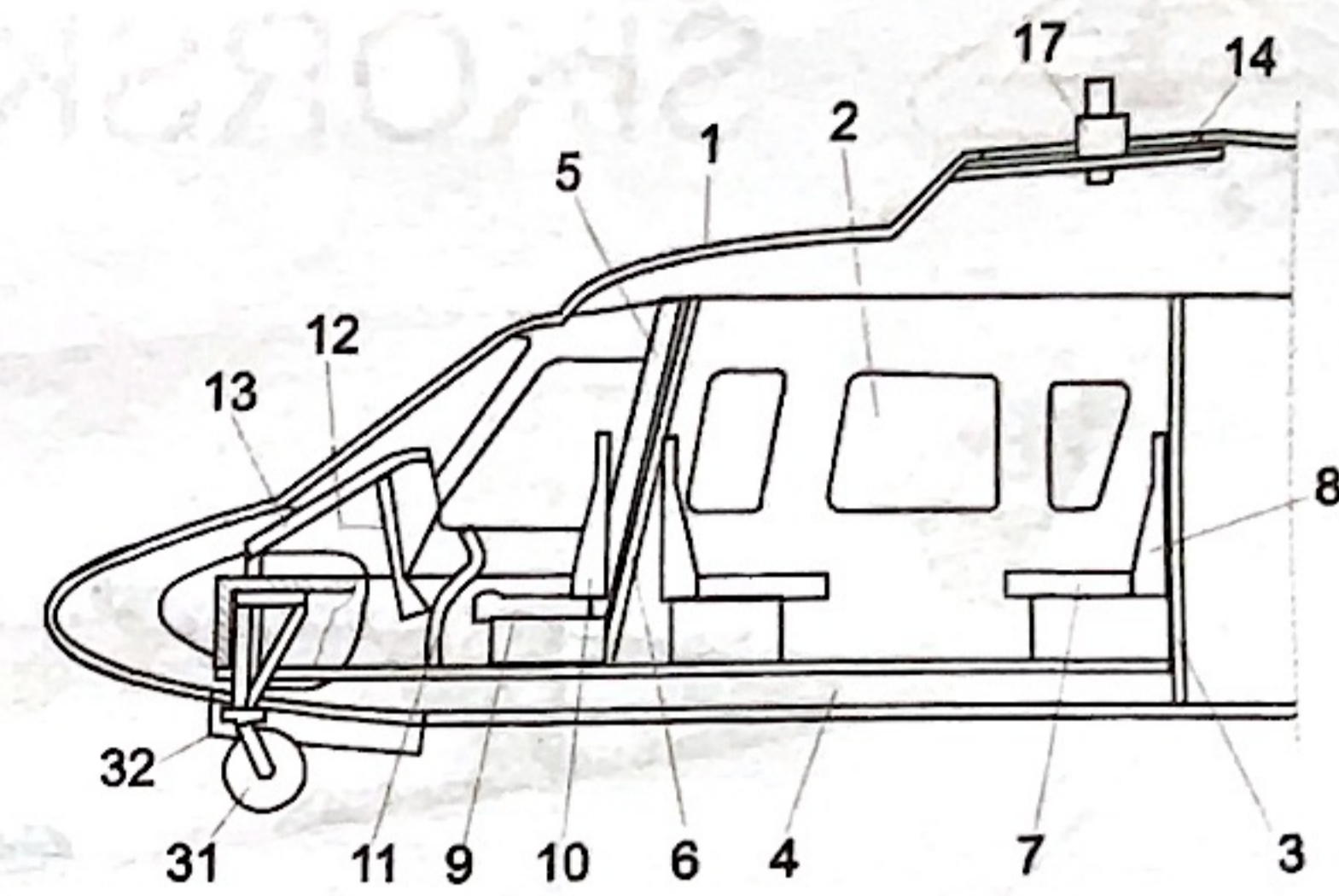
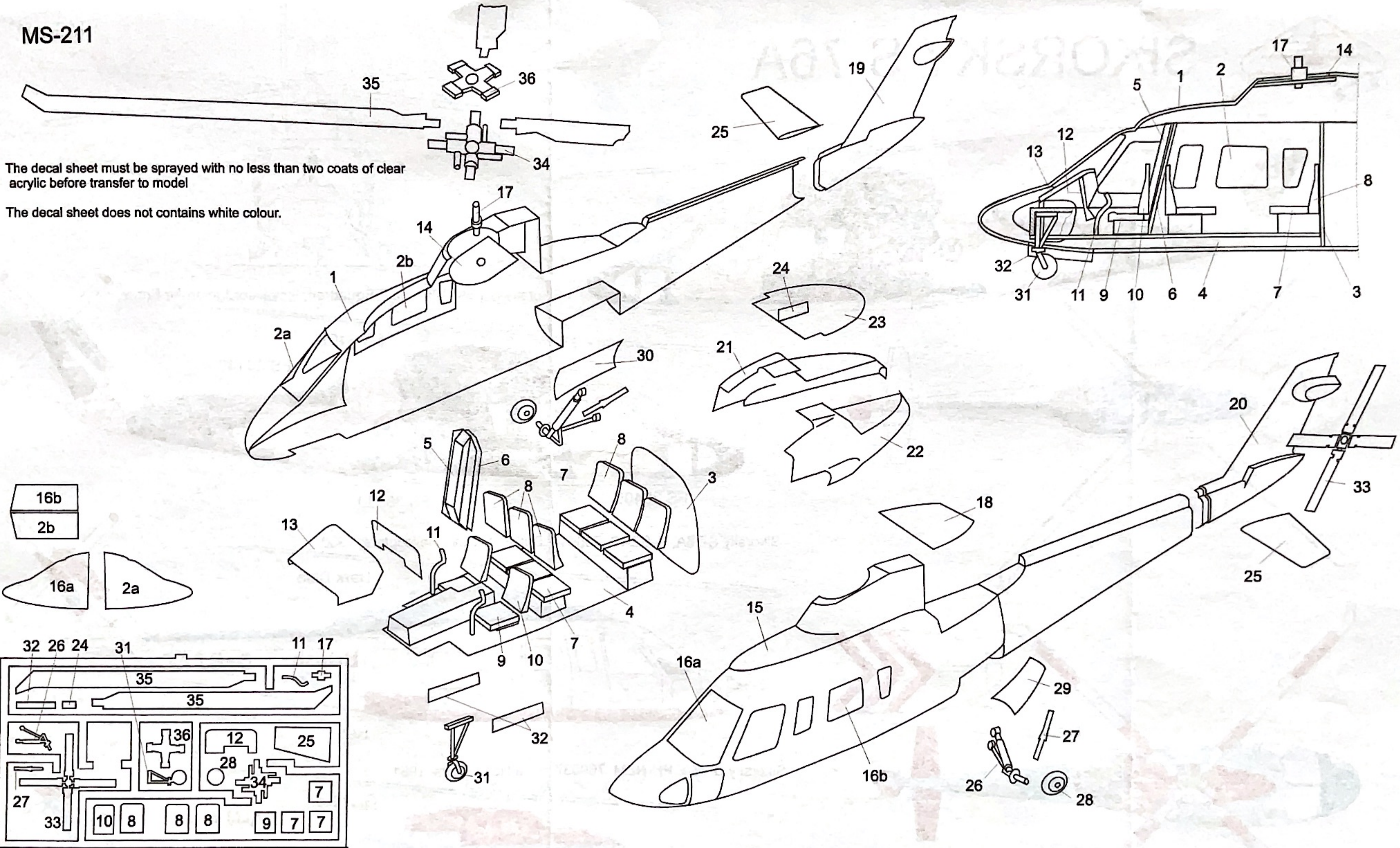


MS-211

The decal sheet must be sprayed with no less than two coats of clear acrylic before transfer to model

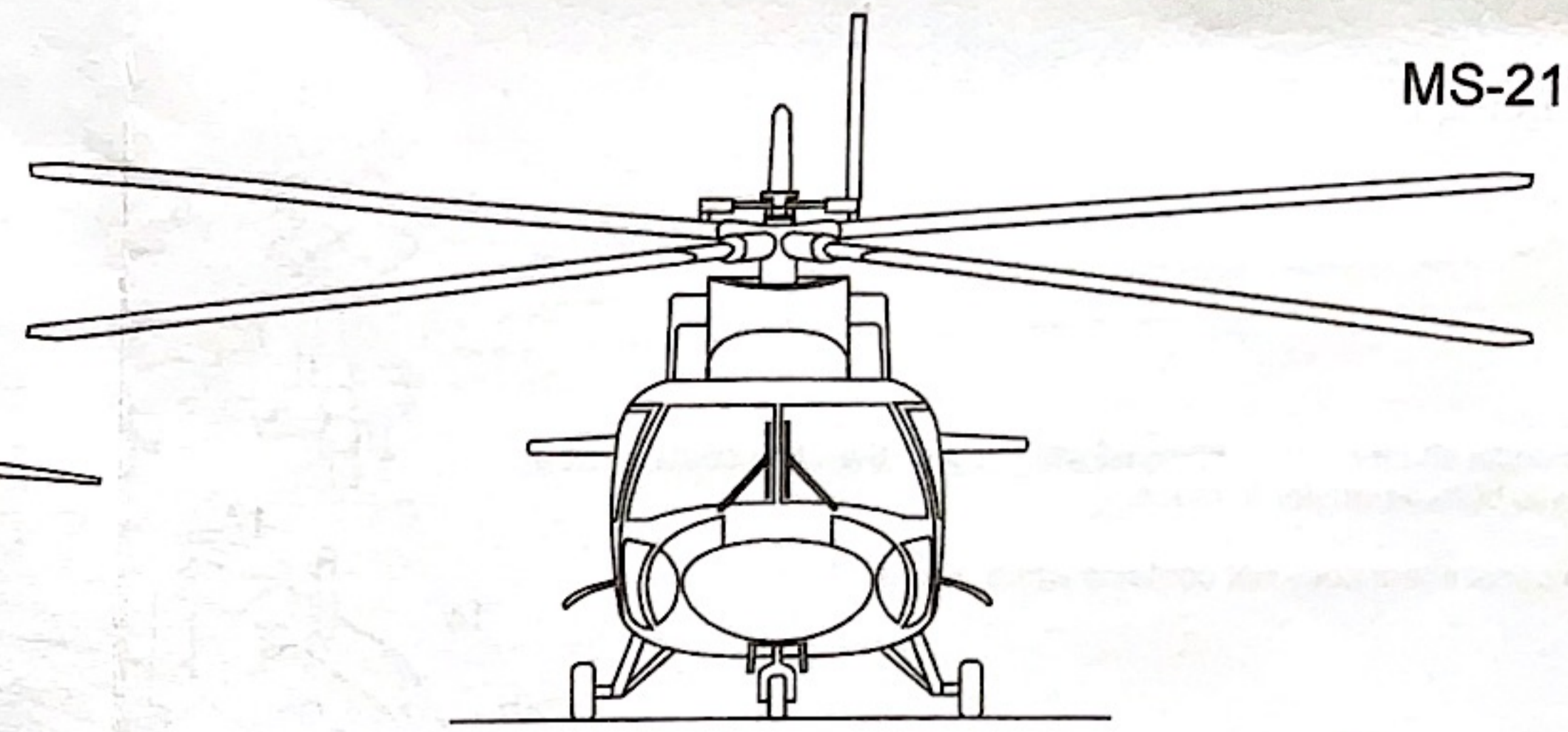
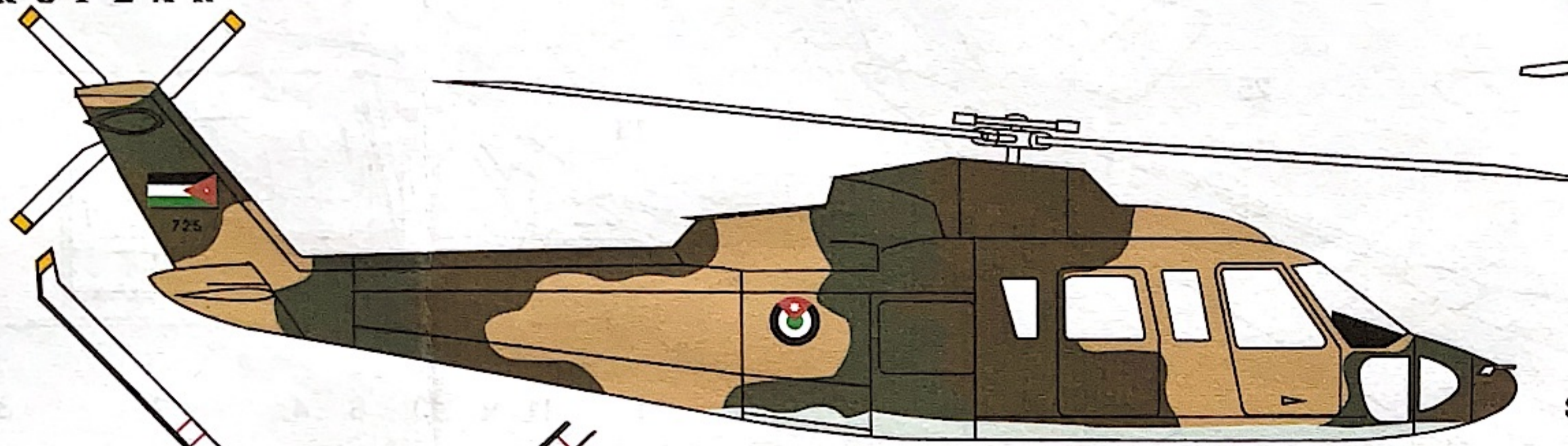
The decal sheet does not contains white colour.



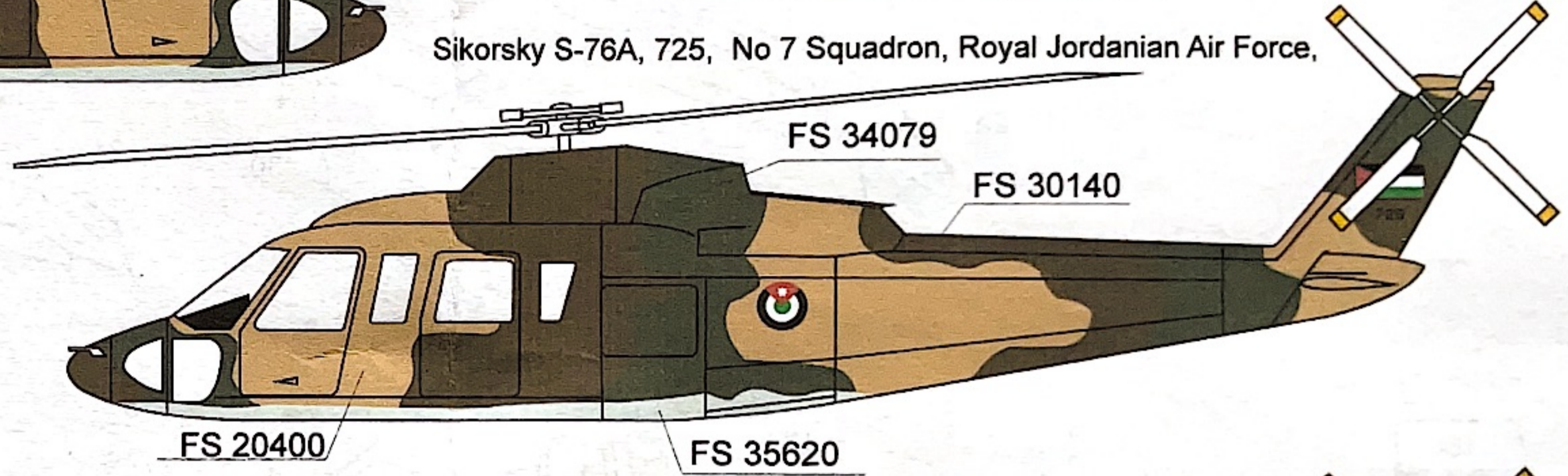


SIKORSKY S-76A

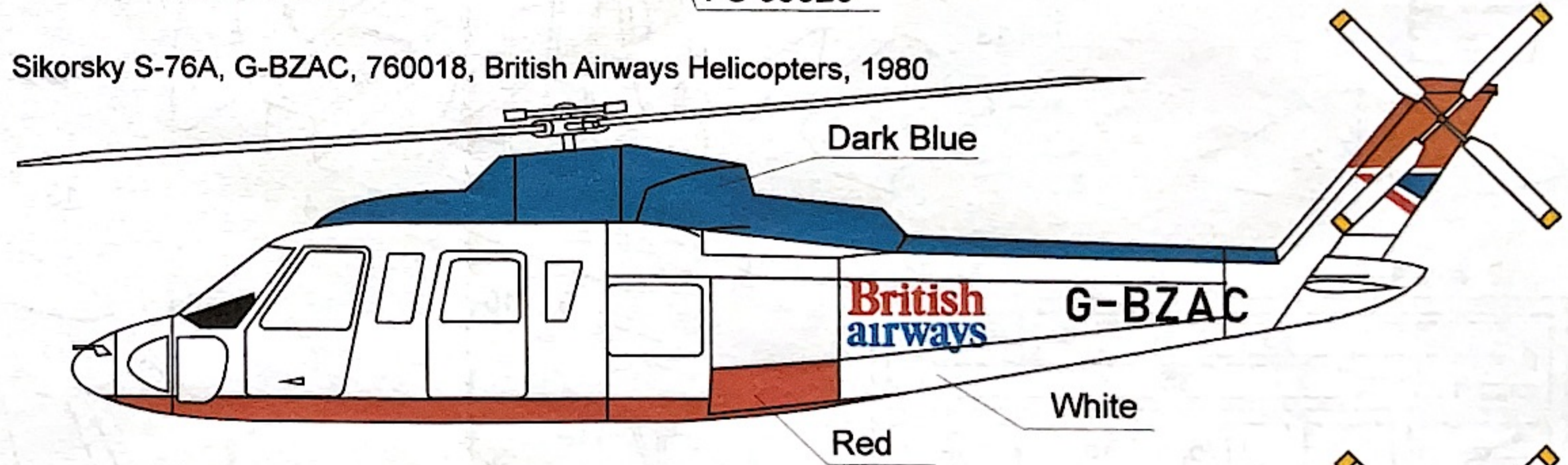
MS-211



Sikorsky S-76A, 725, No 7 Squadron, Royal Jordanian Air Force,



Sikorsky S-76A, G-BZAC, 760018, British Airways Helicopters, 1980



Sikorsky S-76A, PH-NZM, 760037, KLM Helicopters, 1981

