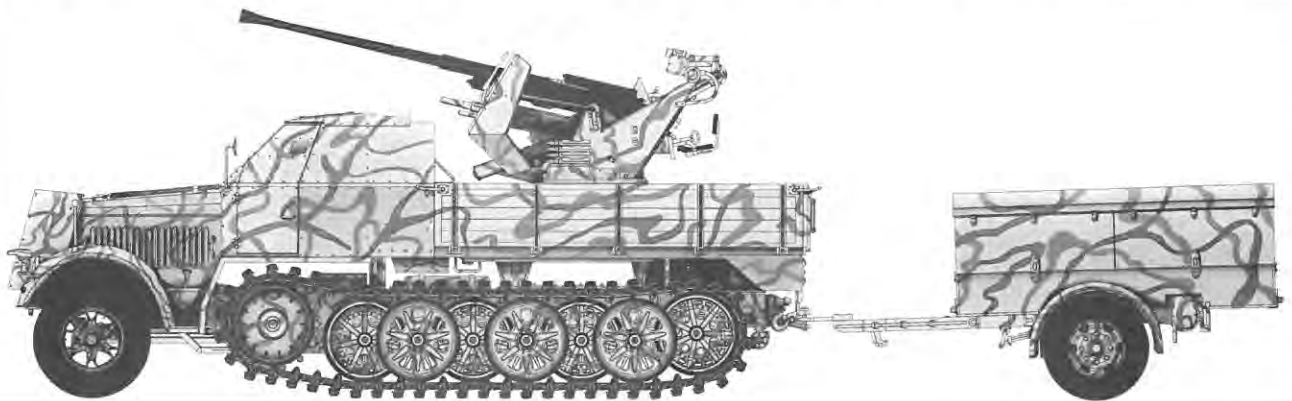


1:35 SCALE

ITEM NO.:01526

German Sd.Kfz.7/2 3.7cm Flak 37 Auf Selbstfahrlafette

(late version) With Sd.Anhänger 52 德国Sd.Kfz.7/2八吨半履带Flak 37 3.7cm自行防空炮(后期型)



READ BEFORE ASSEMBLY:

- Study and understand these instructions thoroughly before beginning assembly
- When needed, remove photo-etch parts carefully using a modeling knife or photo etch sprue cutter, being careful not to damage or lose small parts.
- Take extra care in handling photo etch parts in order to avoid injury
- Apply instant cement sparingly to photo etch parts where instructed
- Tools recommended(not included in kit):Plastic and instant cements, sprue cutters,long nose pliers,modeling knife, small files, tweezers, pin vise & scissors. Soft cloth and sandpaper will also assist in construction
- Glue and paint are not included in the kit. Use plastic cement and hobby paints only. Color guide for purchasing paint is included in the kit.

装配之前仔细阅读

- 小心用模型锉刀锉平所有零件表面的注射浇口。
- 小心用刀片切下蚀刻片零件，不要遗失小零件。
- 用强力快干胶水粘合蚀刻片零件和金属轴。过量快干胶水使用可能导致可动零件会粘住，小心涂胶。
- 取蚀刻片时应特别注意安全，防止利边划伤手指。
- 某些零件表面需贴上水贴纸，请选择在装配的同时进行。
- 推荐模型工具(自备)：胶水，水口剪刀，长咀钳，刀片，锉刀，镊子，钳，钻，剪刀，瞬间快干胶。
- 软布同砂纸同时也应该是必备工具。
- 请使用塑料胶水和油漆，模型内不含。



配重
Weight



使用强力胶
Cyanoacrylate glue



钻孔
Make hole



切除
Cut / Remove



贴纸
Decal



锉平
File / Sand



选择
Option



不涂胶水
No cement



弯曲
Bend

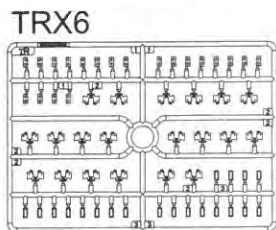
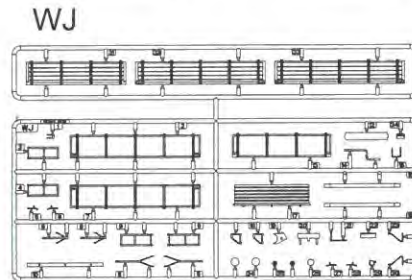
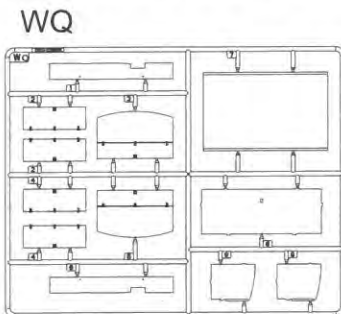
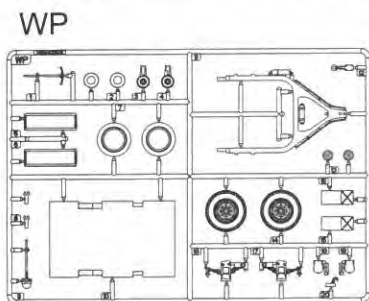
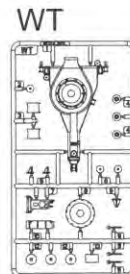
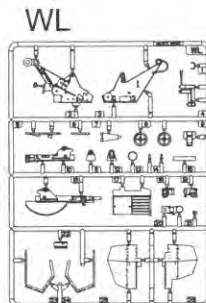
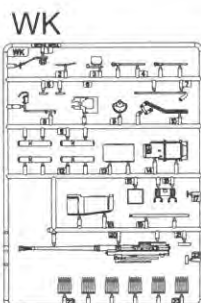
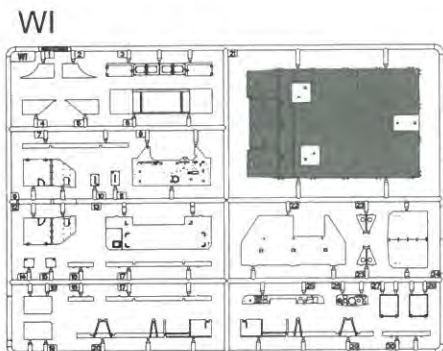
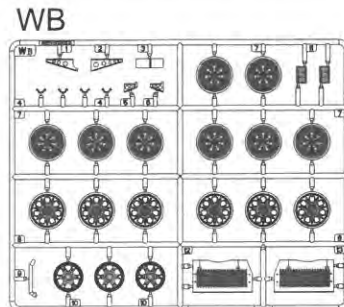
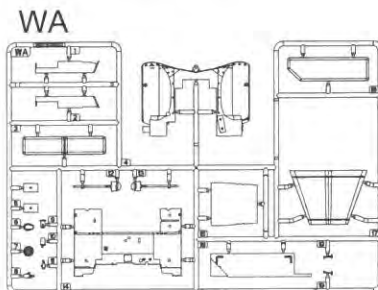
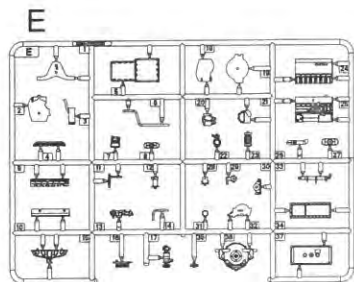
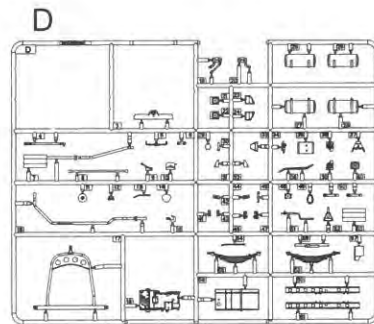
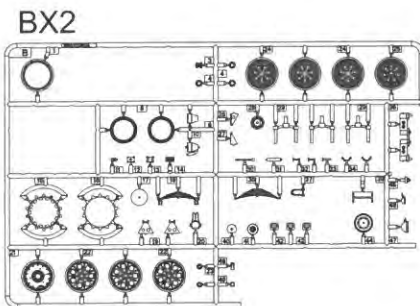
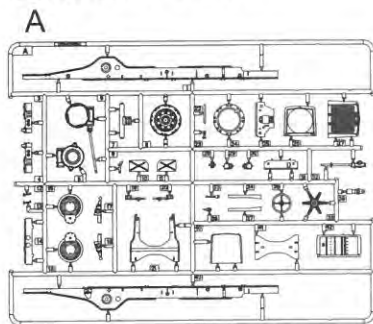
水贴纸的使用:

- 1.从水贴纸上剪下印花;
- 2.将印花放入温水中浸10秒,然后放在干净布上。
- 3.拿着印花纸板将印花移到模型上;
- 4.手指蘸水将印花移到适当的位置;
- 5.用软布轻压印花直至水干, 汽泡消失

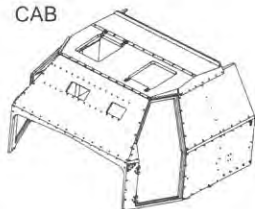
DECAL APPLICATION

- 1.Cut decals from sheet as needed
- 2.Dip the decal in warm water for about 10 seconds and then place on soft clean cloth.
- 3.Hold the decal backing sheet edge and gently slide the decal onto the model in its proper position.
- 4.While still wet,decal can be adjusted for better fit on model by dampening it gently with your finger.
- 5.When placed in the proper position,gently press decal down with a soft cloth until excess water and air bubbles are gone.
- 6.Allow decal to dry completely before handling model

部品图 Parts



《驾驶室》
CAB



蚀刻片WA
PE-WA



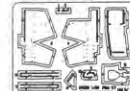
蚀刻片WE
PE-WE



蚀刻片WF
PE-WF



蚀刻片WK
PE-WK



《棉绳》 ϕ 0.6X1000mm
Rope



《铜丝》 ϕ 0.5X50mm
Wire



《轮胎》X3
Tire

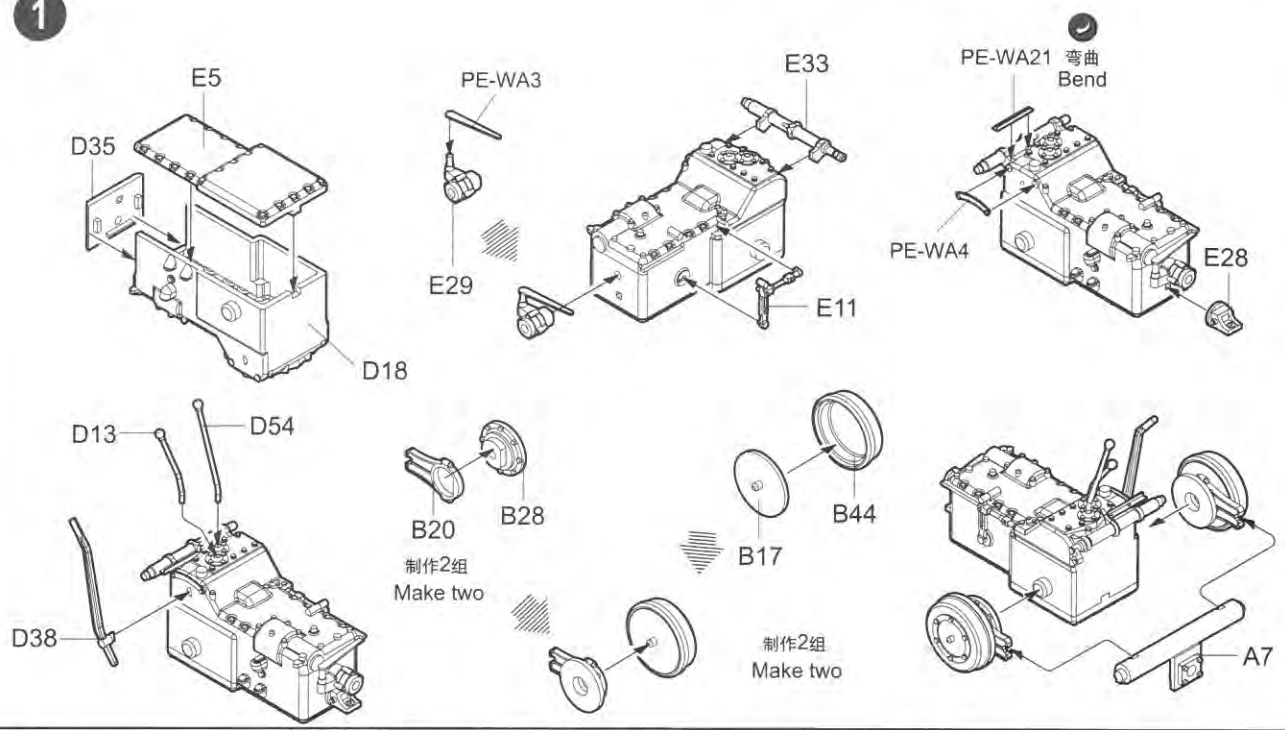


《水贴》
Decal

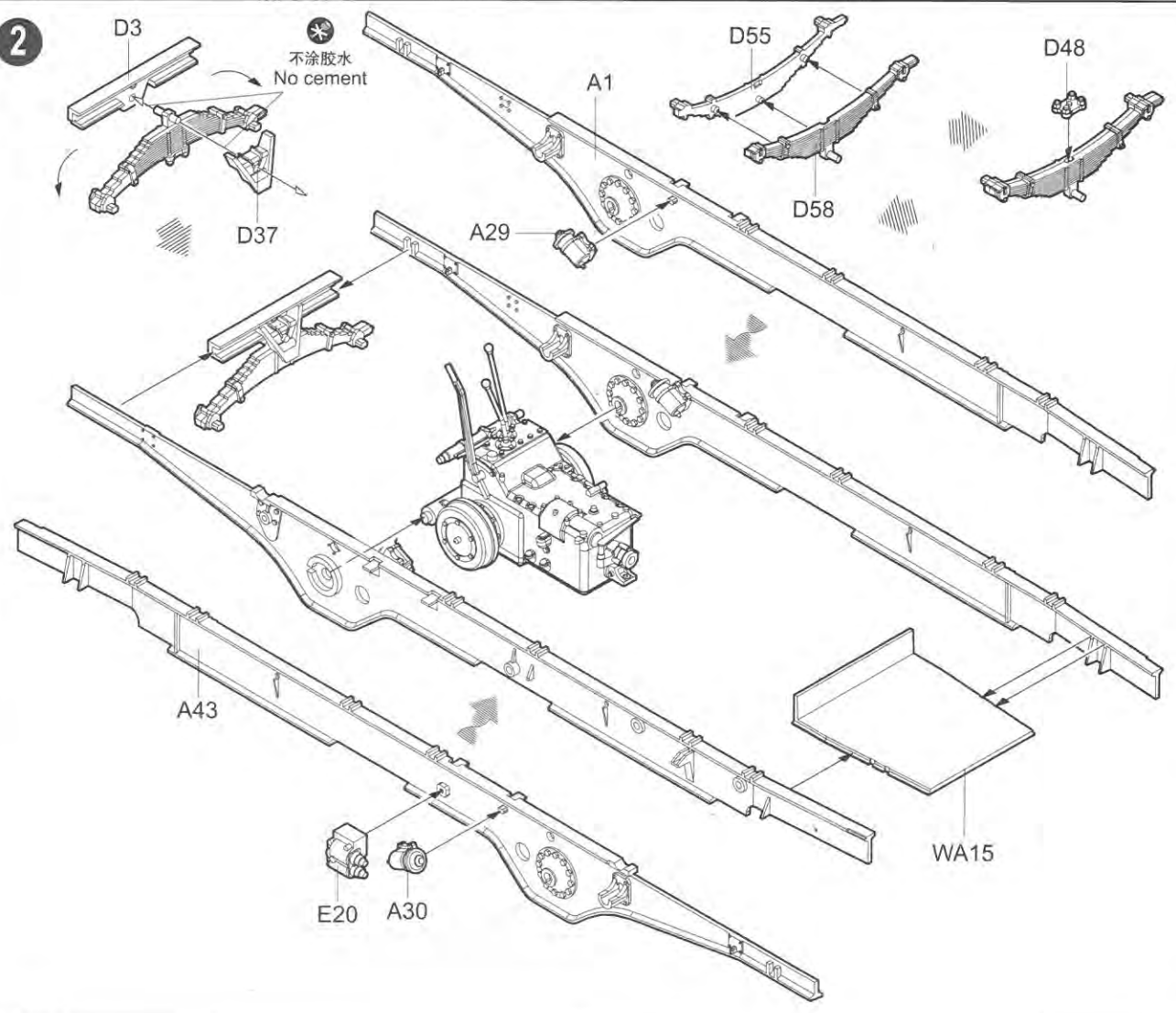


不用部品: A13.A22.A33.B14.B19.B23.B26.B27.B34.B46.D33.D49.D51.D52.WP1.WP9.WP15.WA12.WT5.WT9.WT12
Unused part:

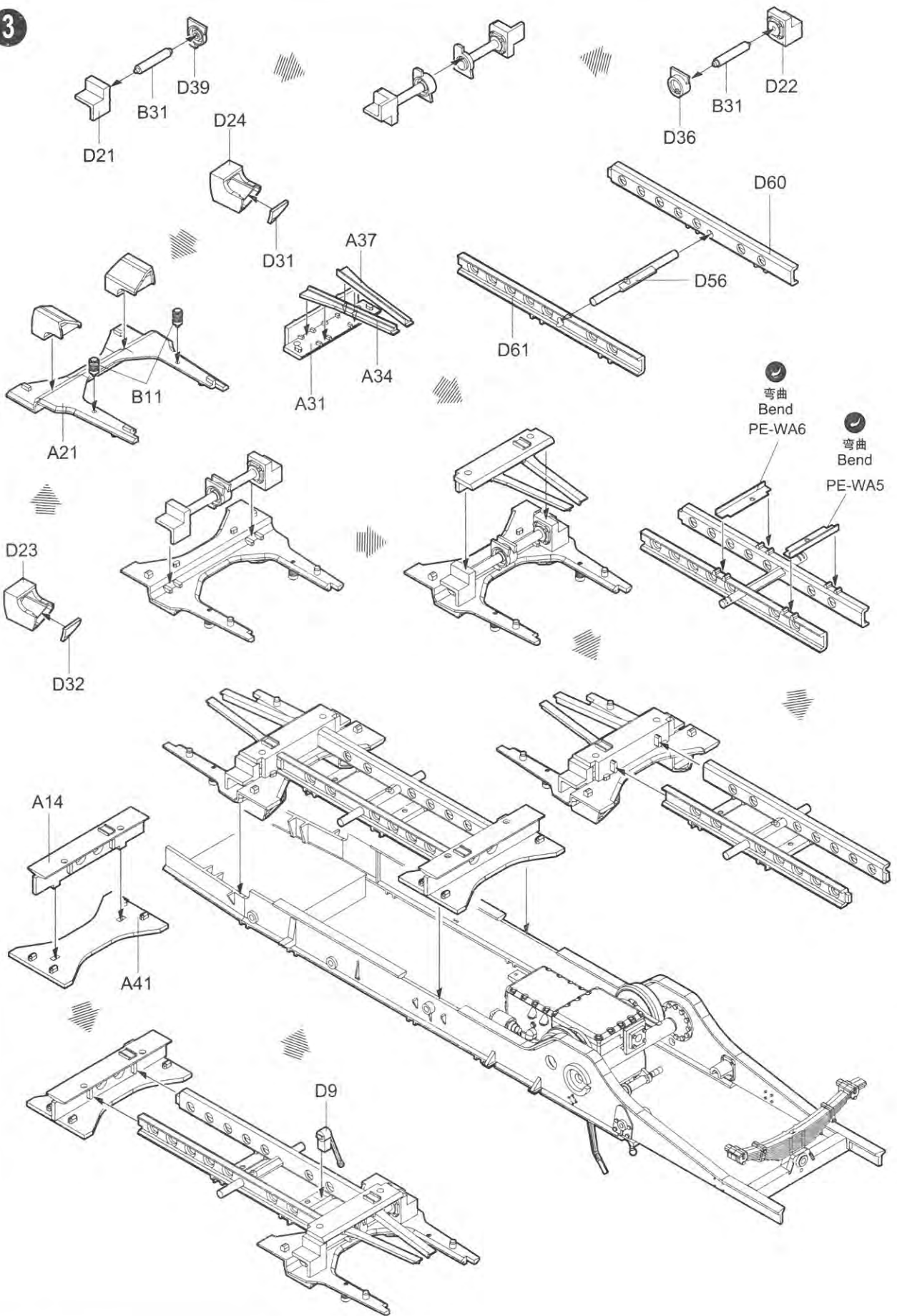
1



2

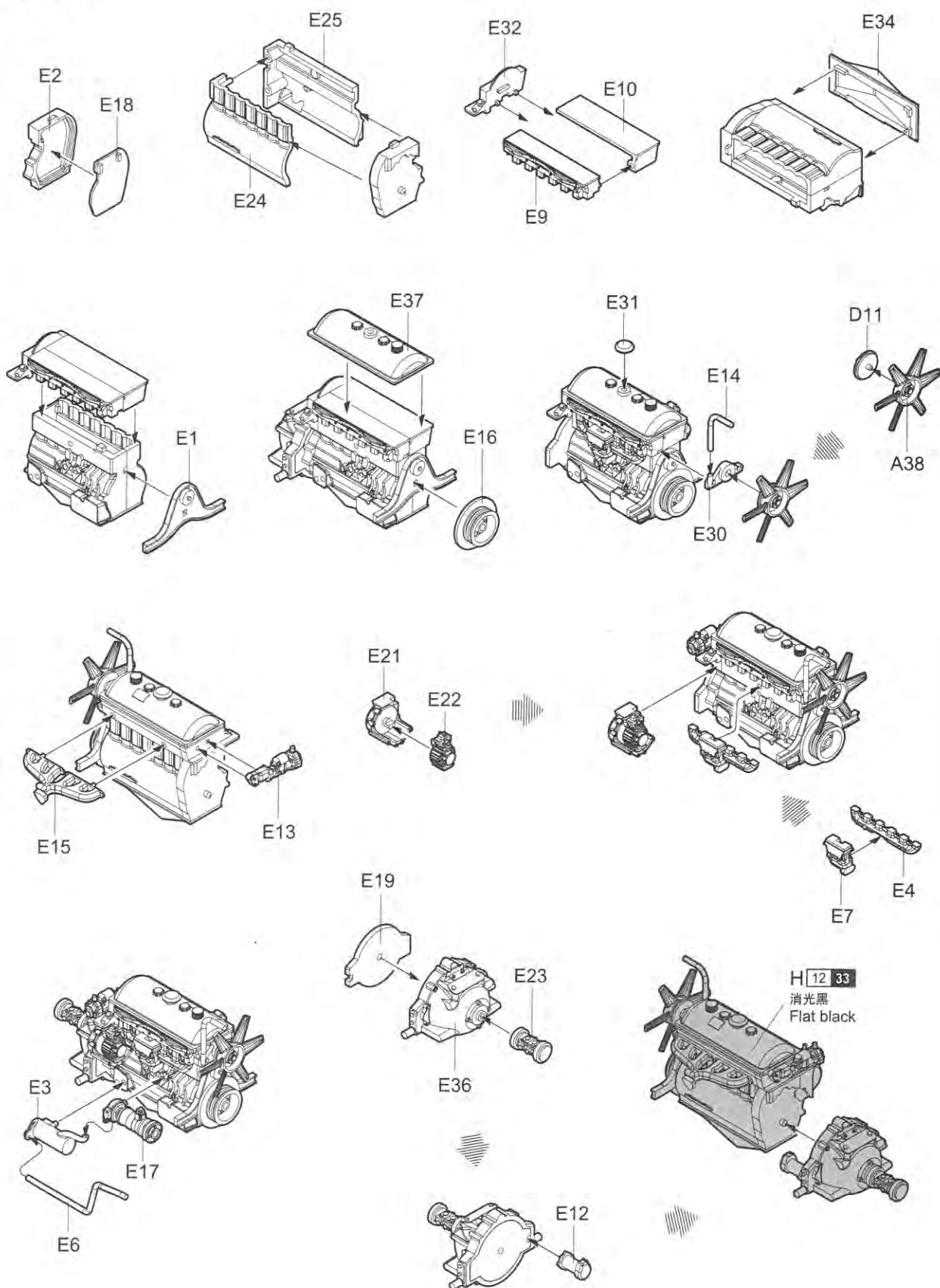


3

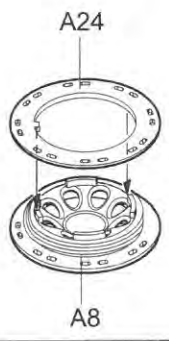
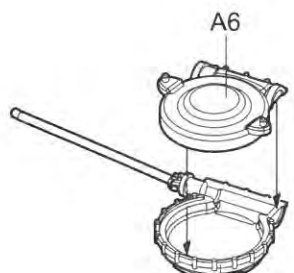
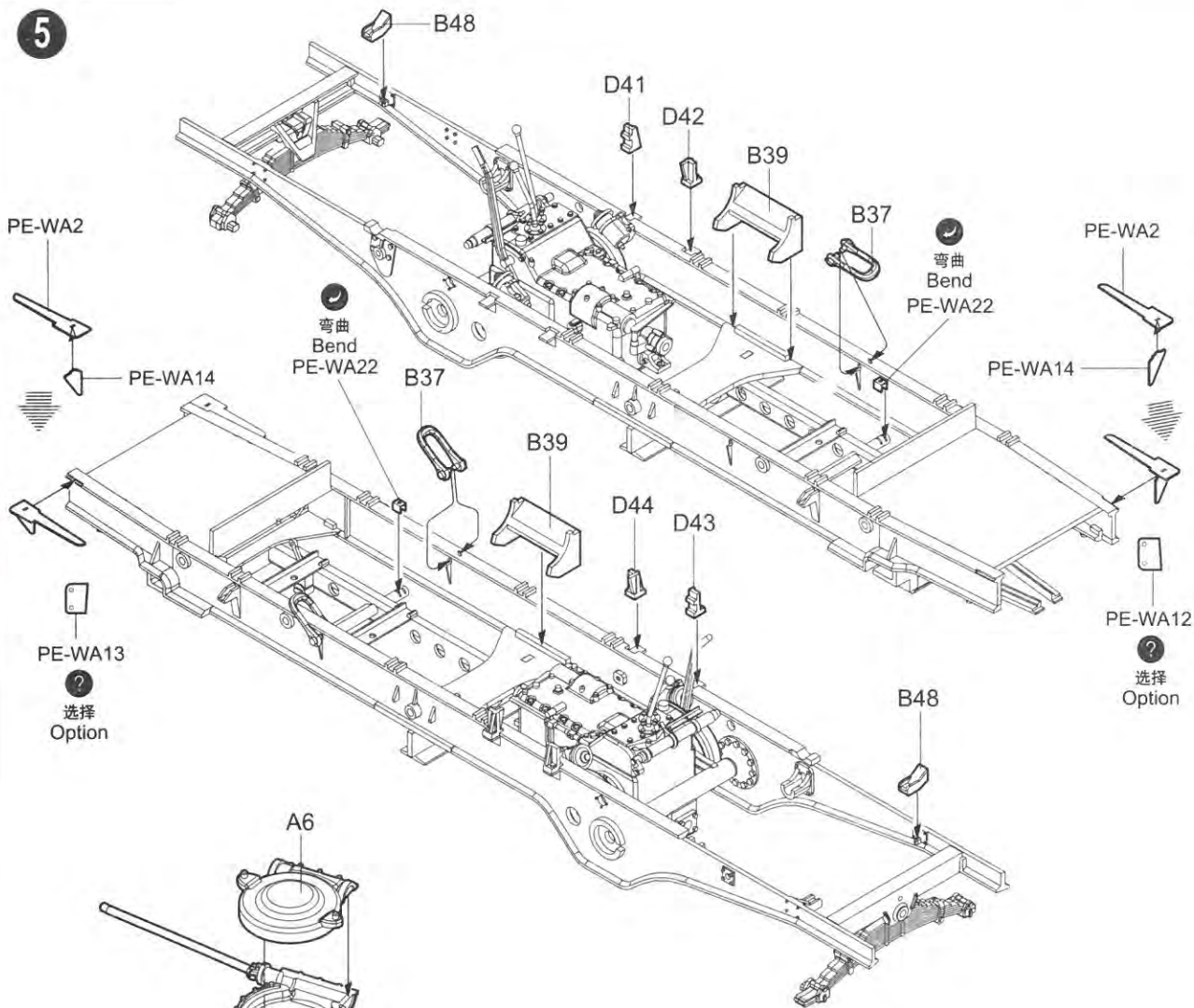


4

《发动机》
Engine

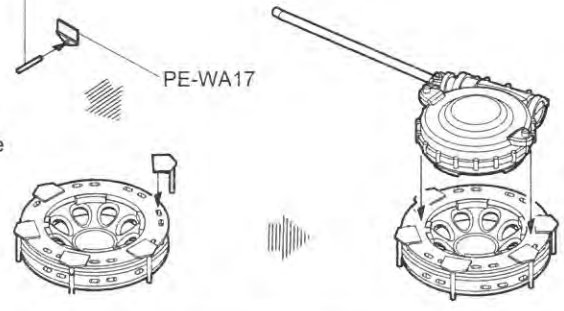


5

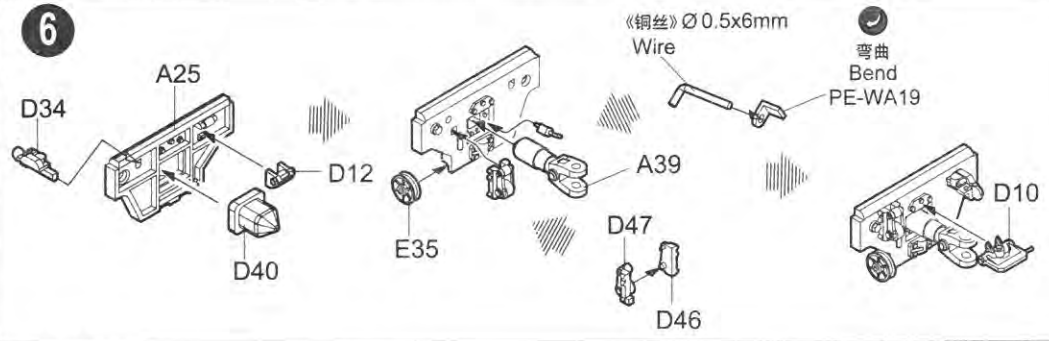


《铜丝》 $\varnothing 0.5 \times 5\text{mm}$ Wire

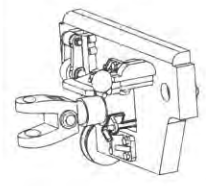
制作5组 Make Five

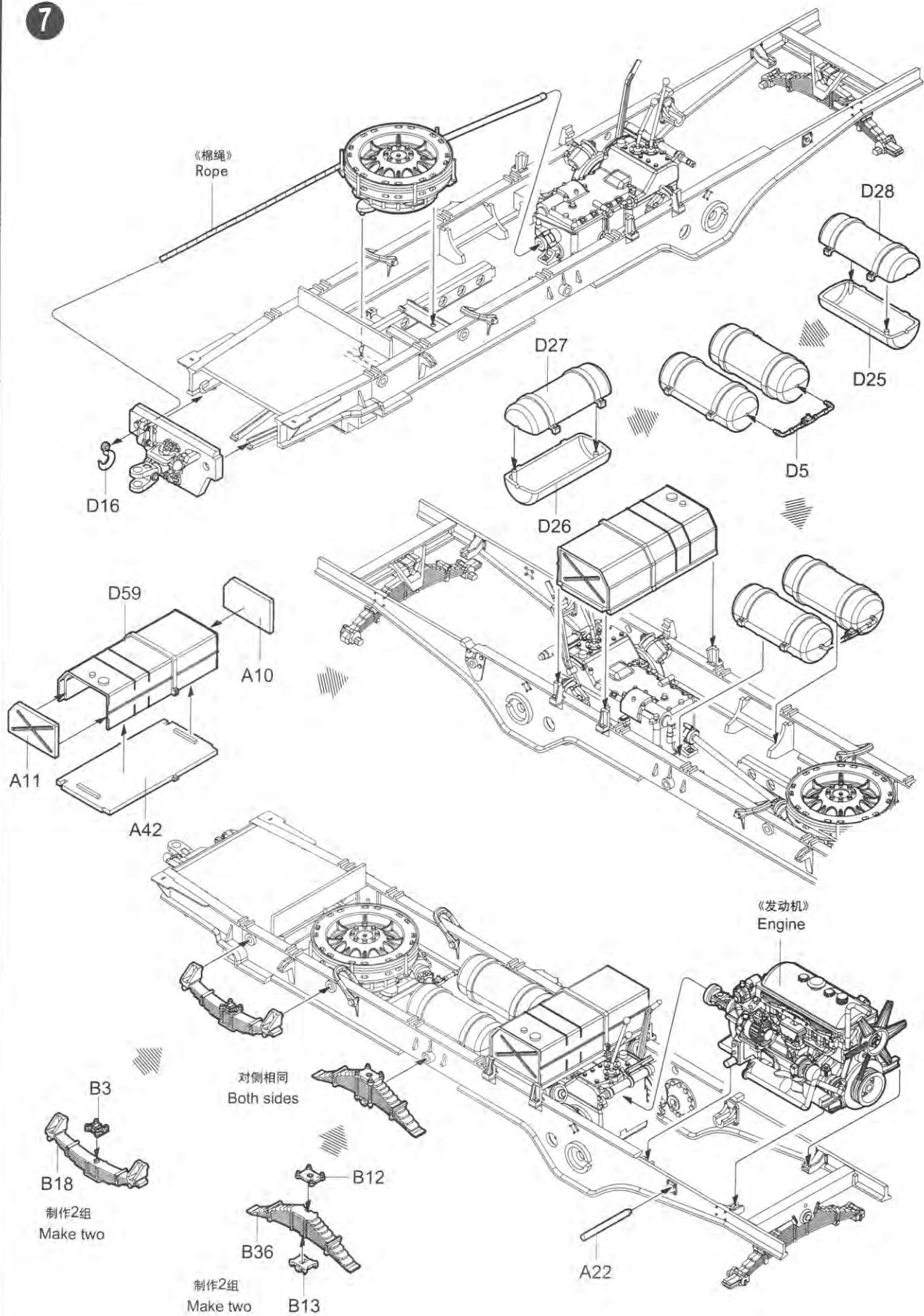


6

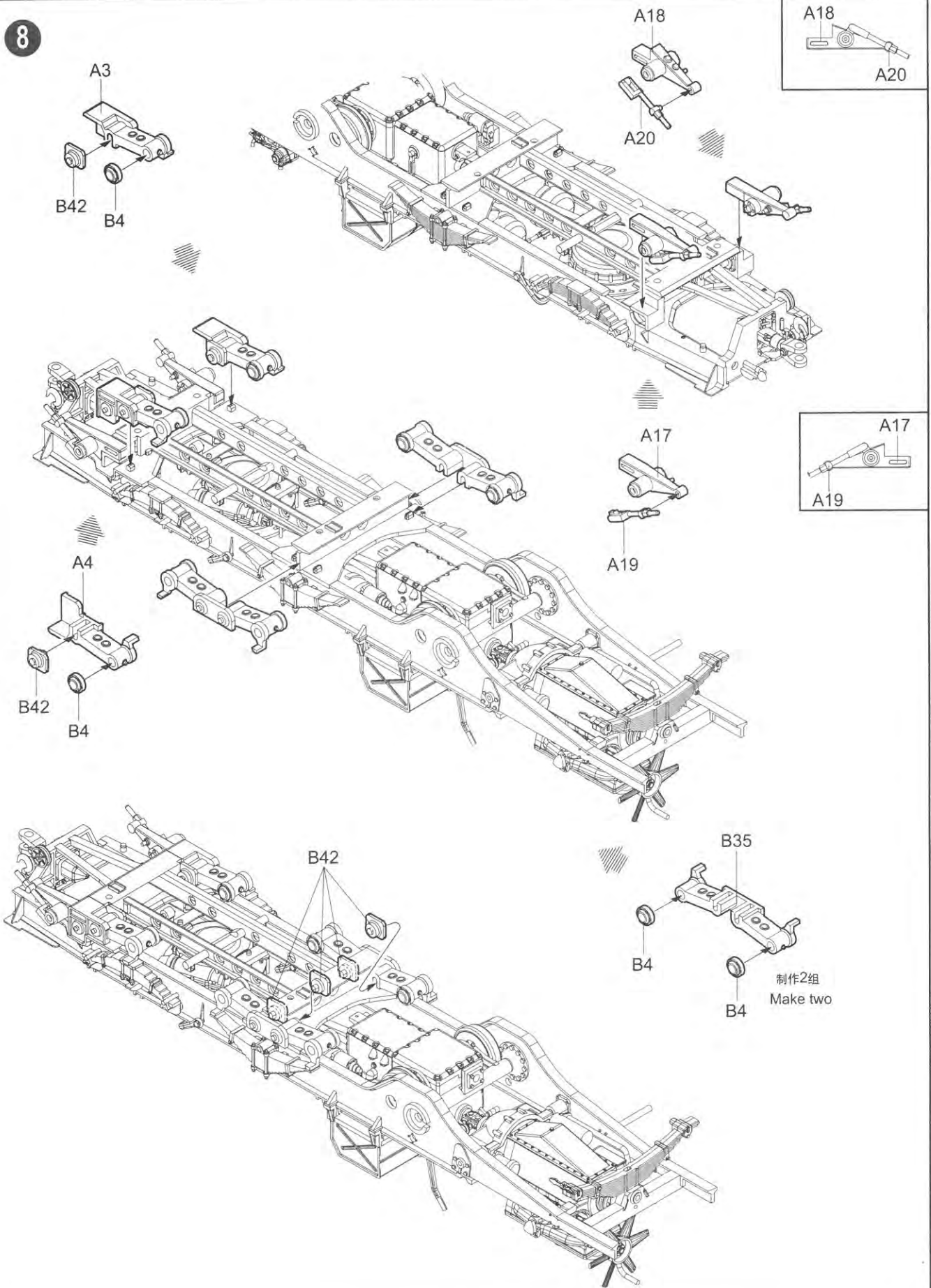


完成示意图 Install shown

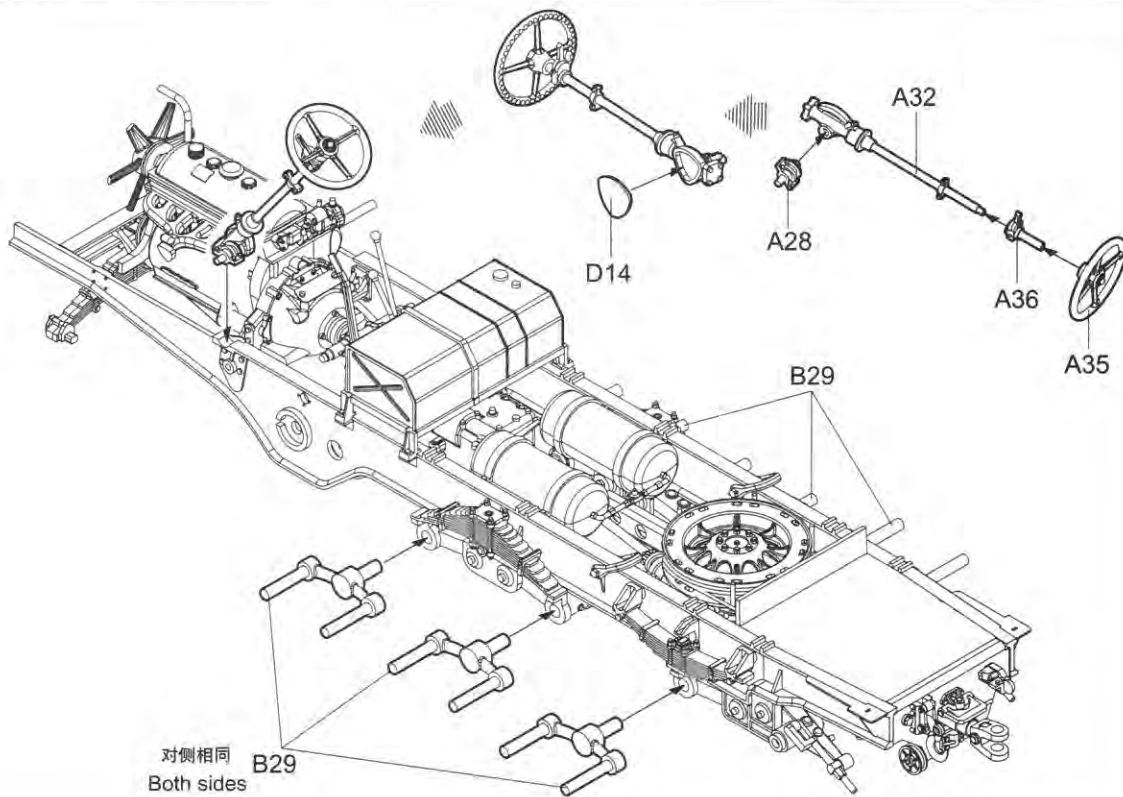




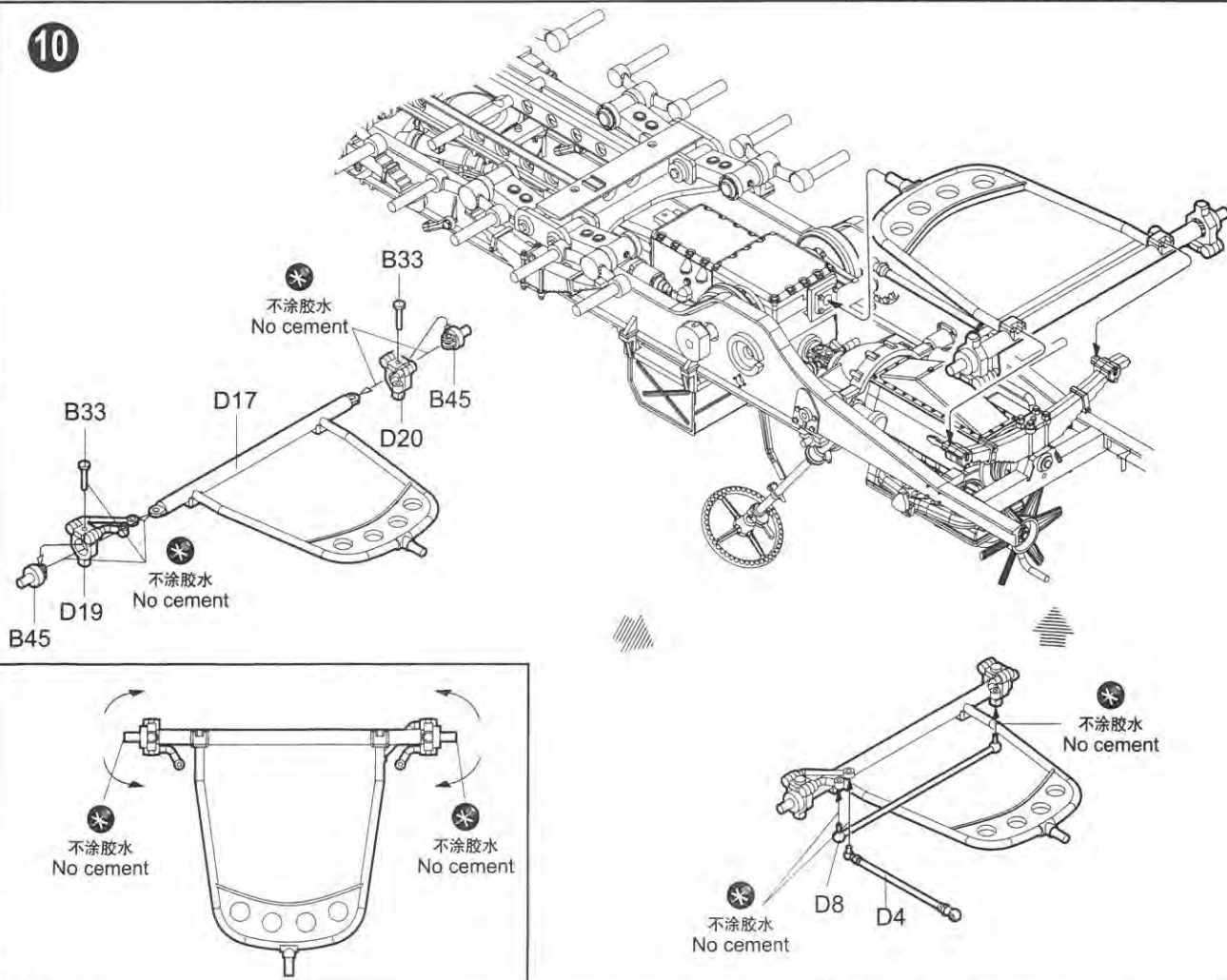
8



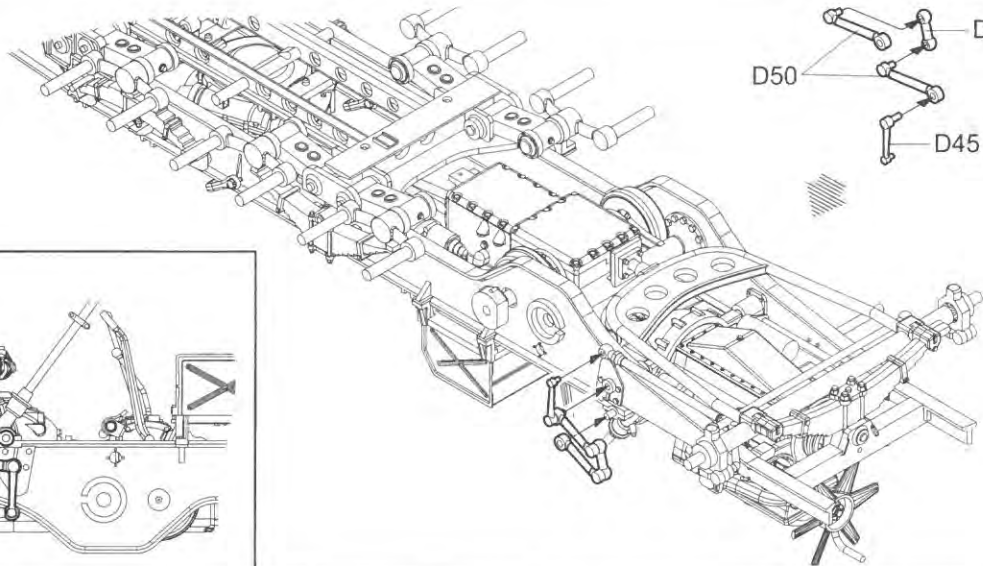
9



10



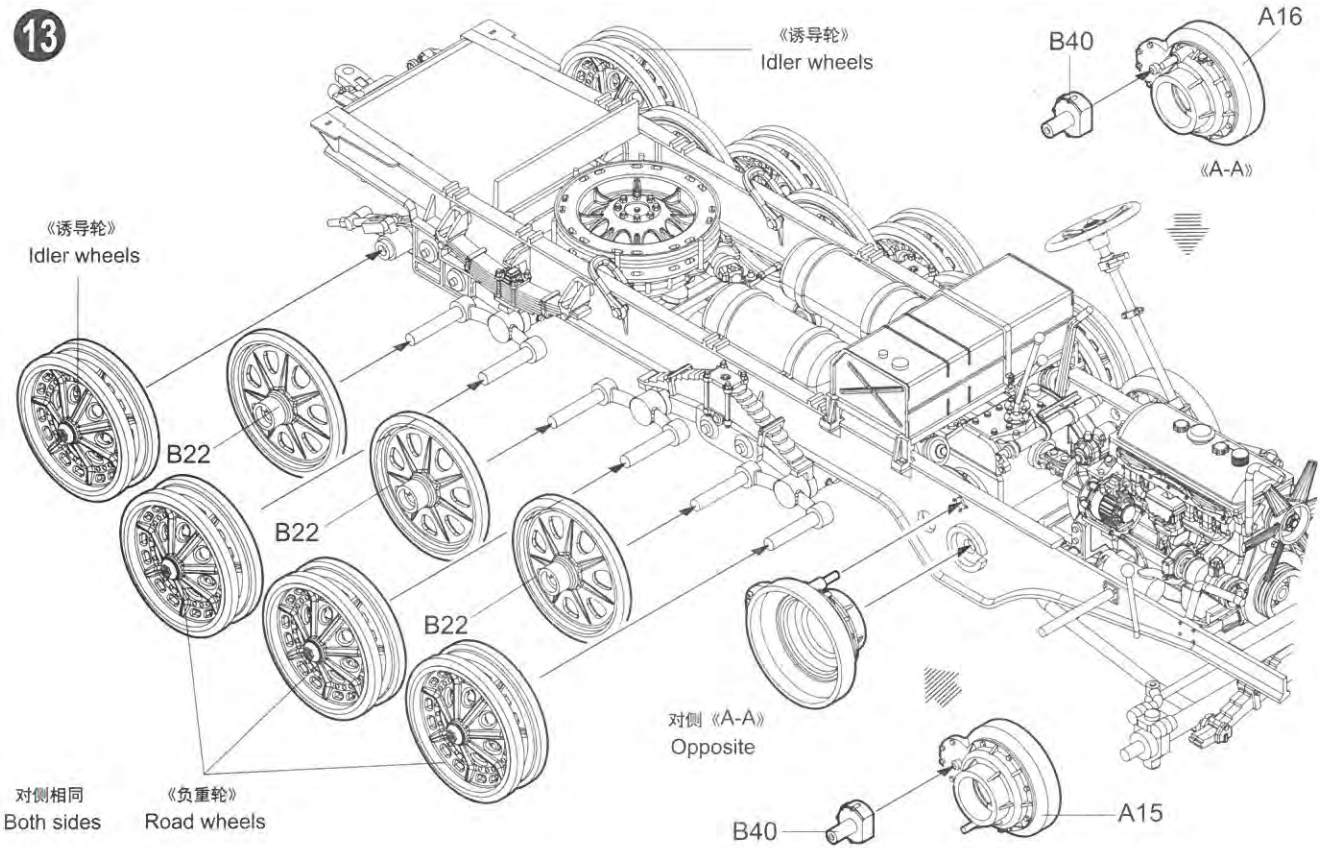
11



12 车轮组装
Wheels assembly

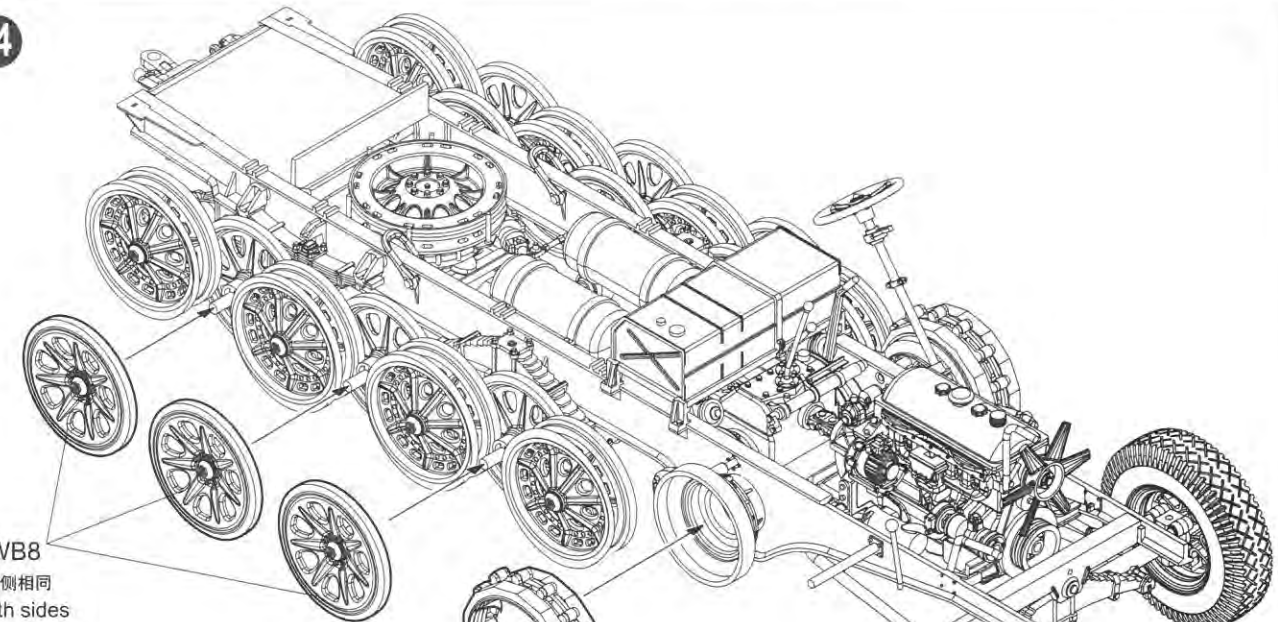


13



14

WB8
对侧相同
Both sides



对侧相同
Both sides

对侧相同
Both sides

《轮胎》
Tire

B8

制作2组
Make two

B1

制作2组
Make two

B15

制作2组
Make two

PE-WA1

弯曲
Bend

B21

B41

B16

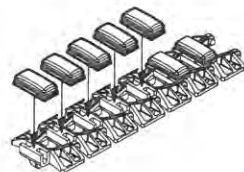
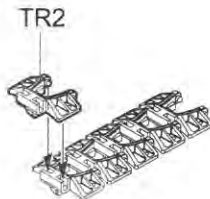
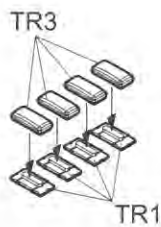
WJ25

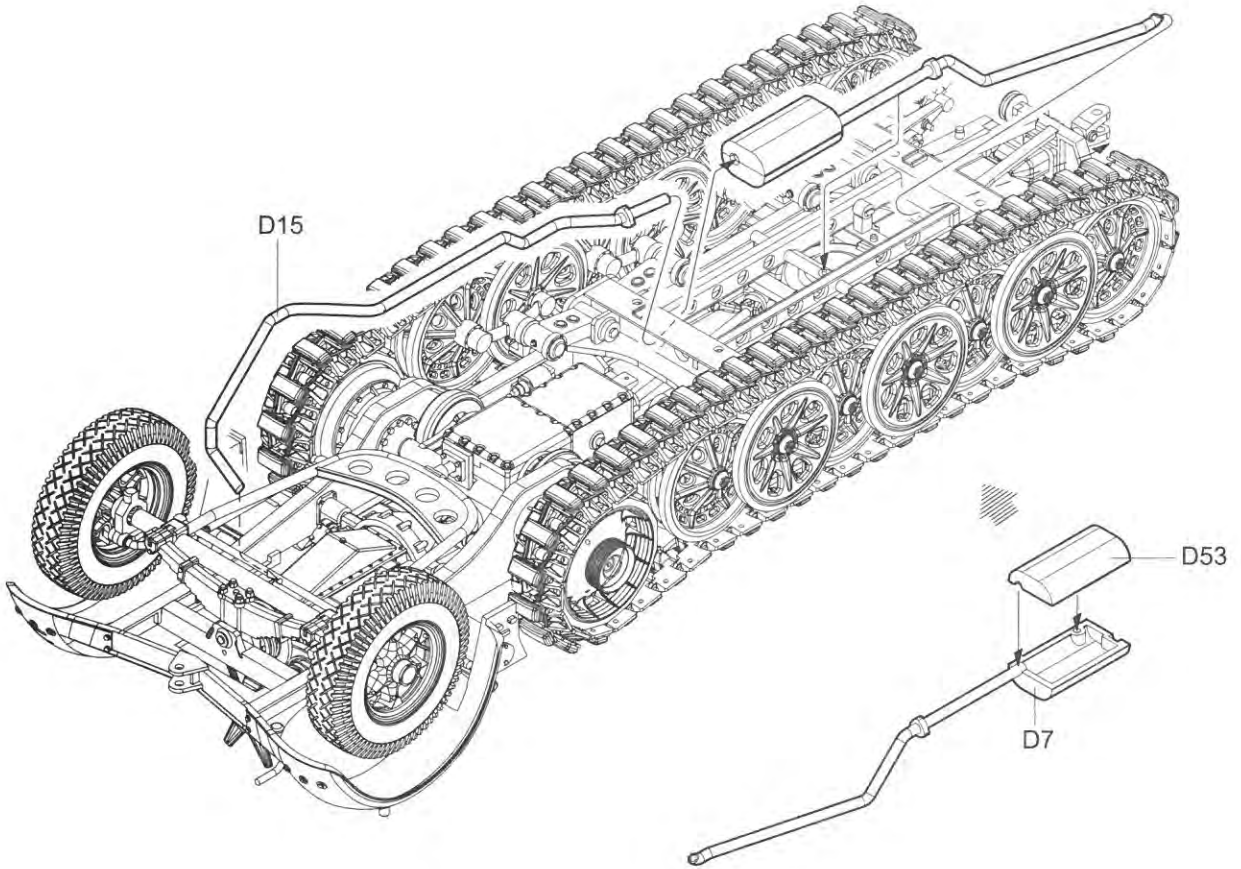
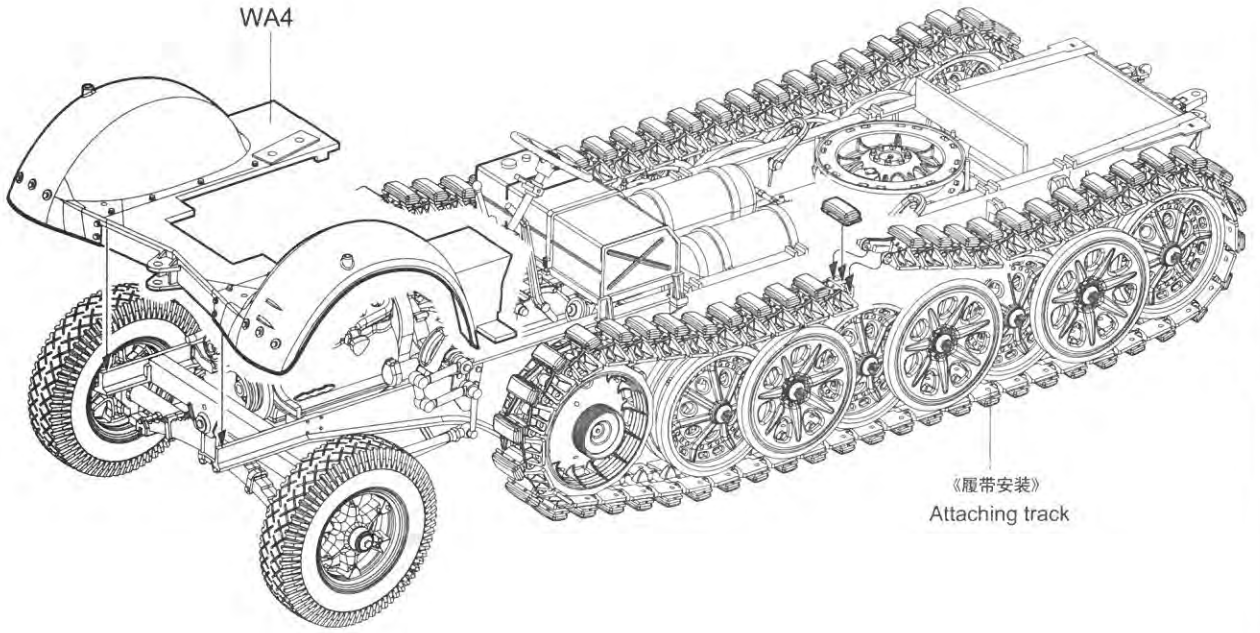
WB10

15

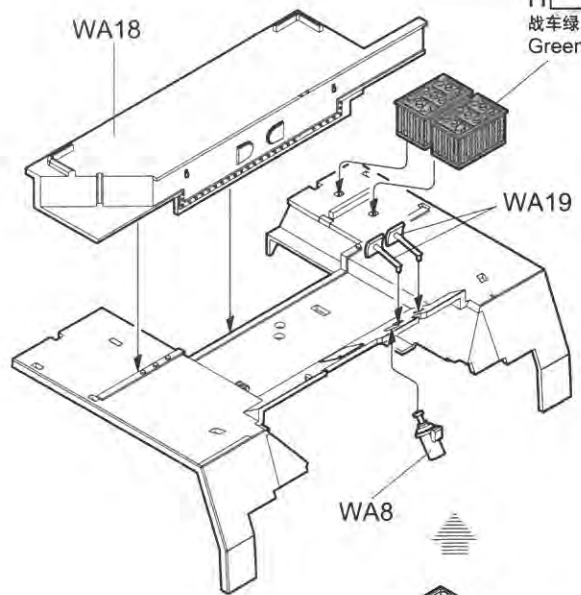
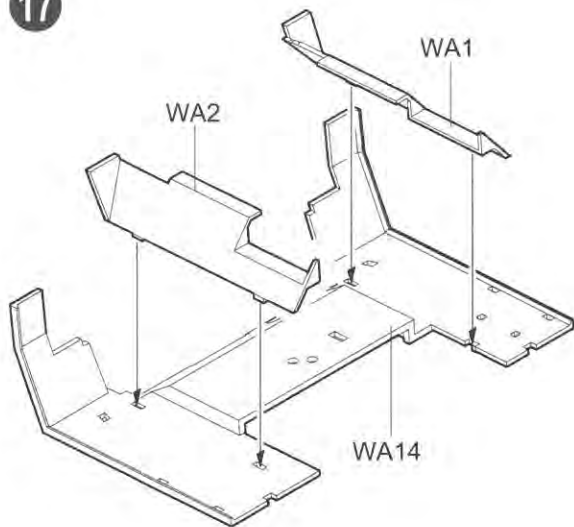
履带组装
Track assembly

单侧履带需54节
Complete track for one
side requires 54links

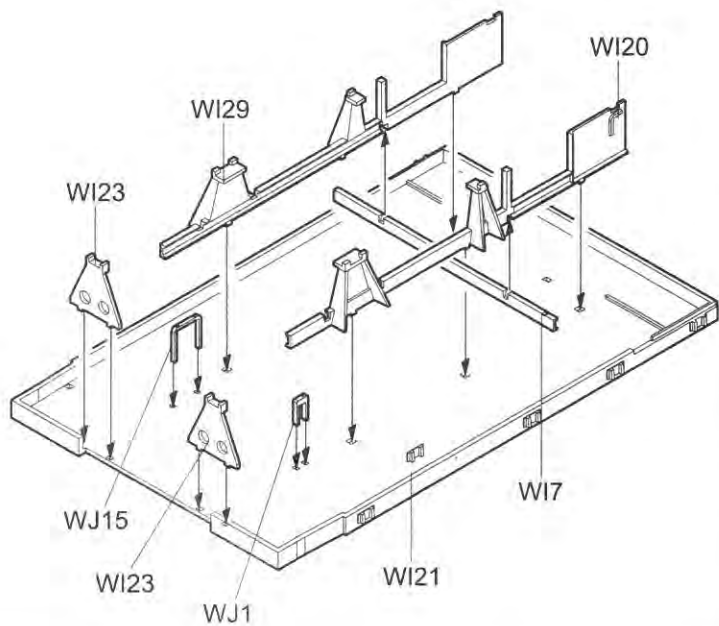
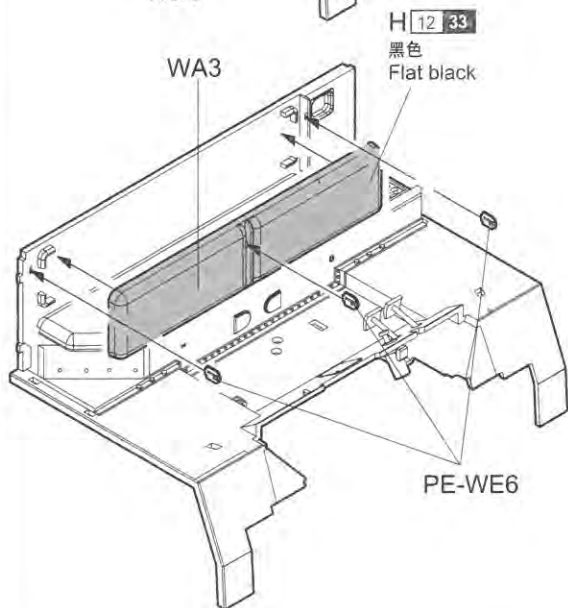
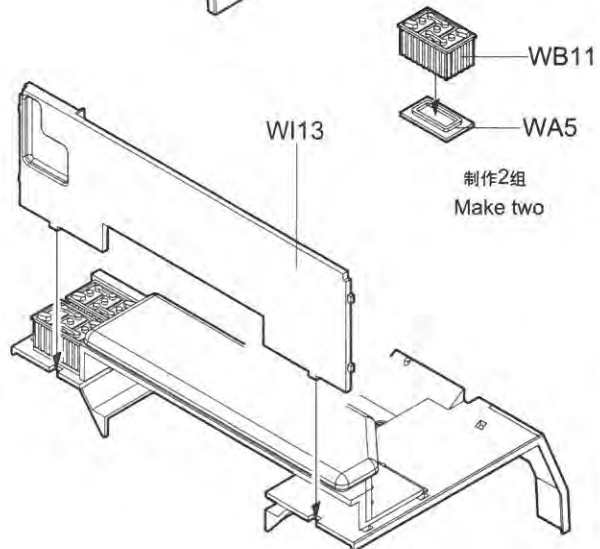
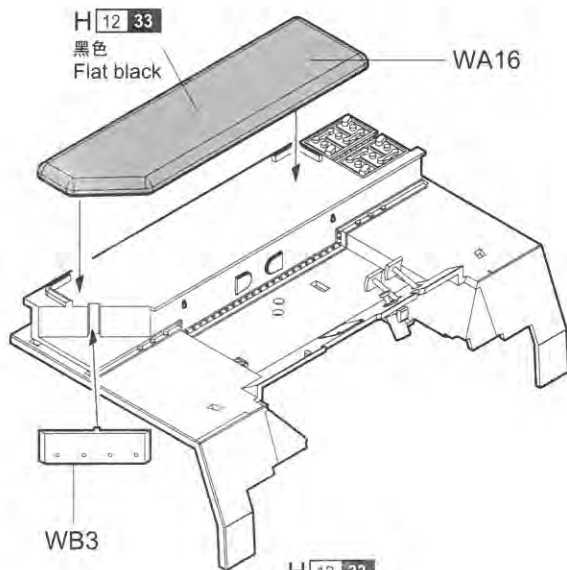


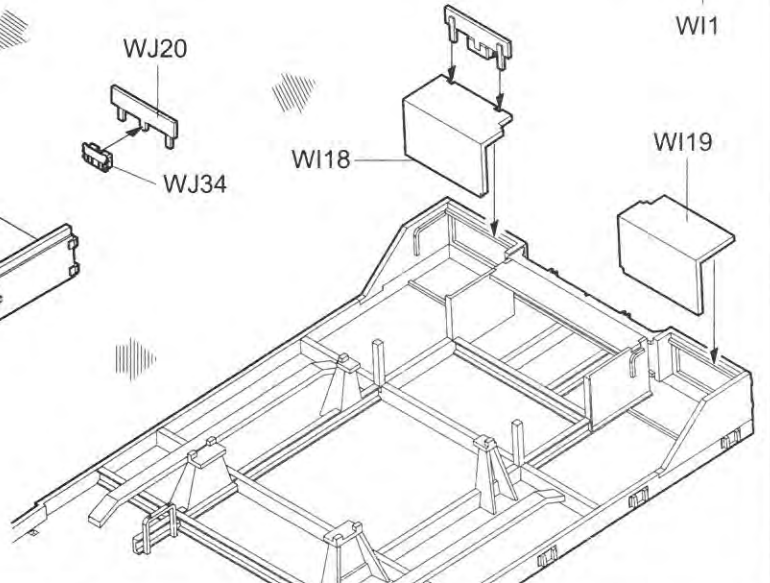
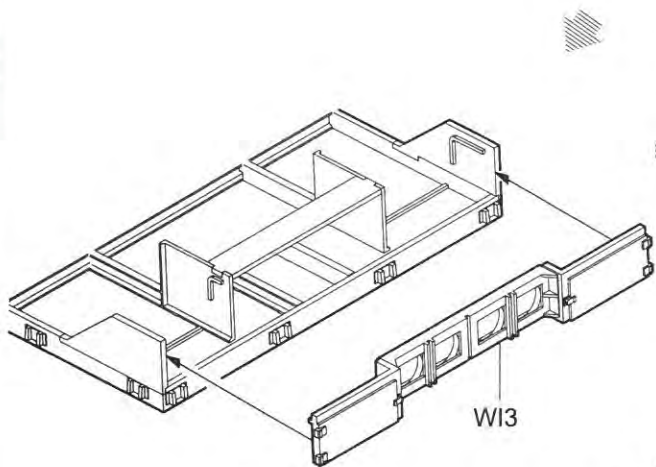
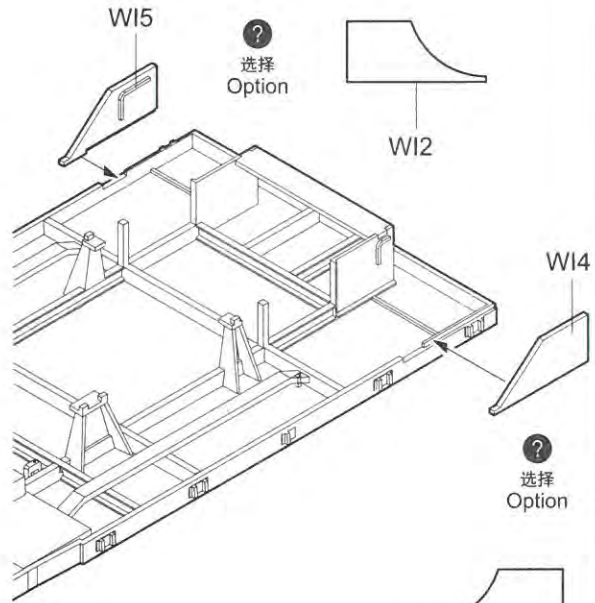
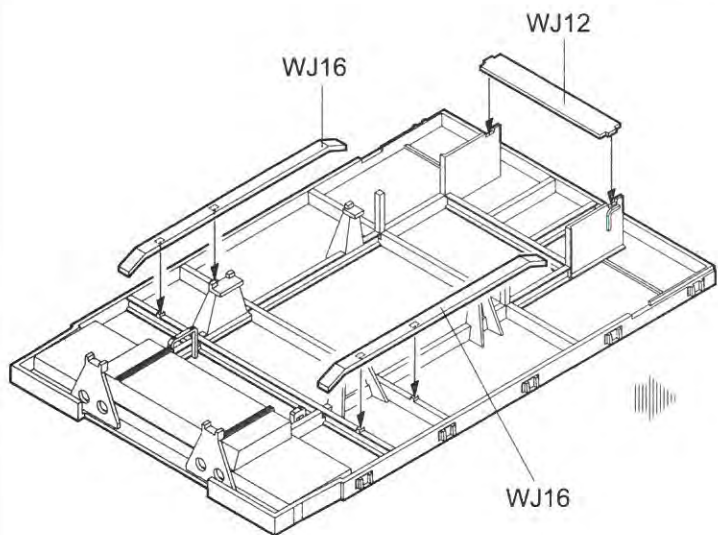
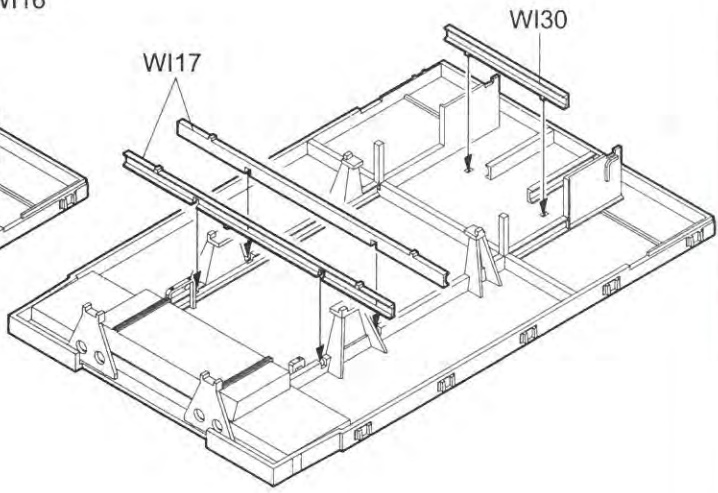
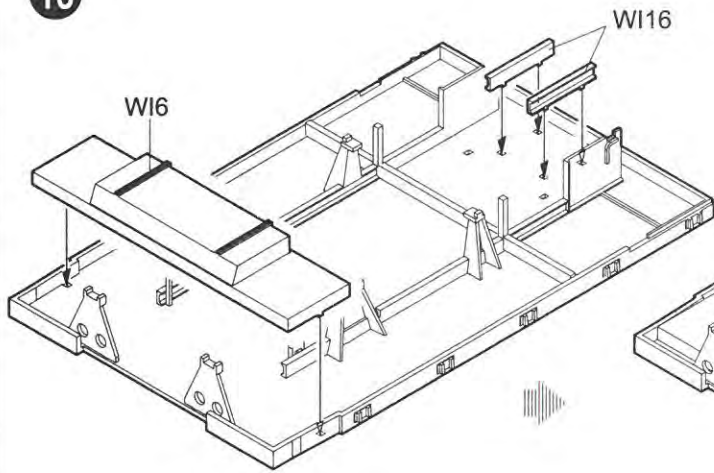


17

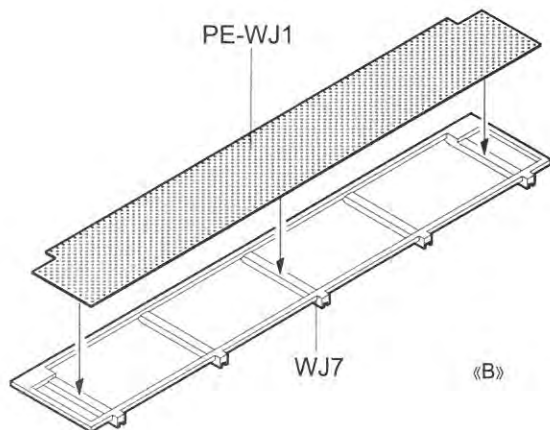
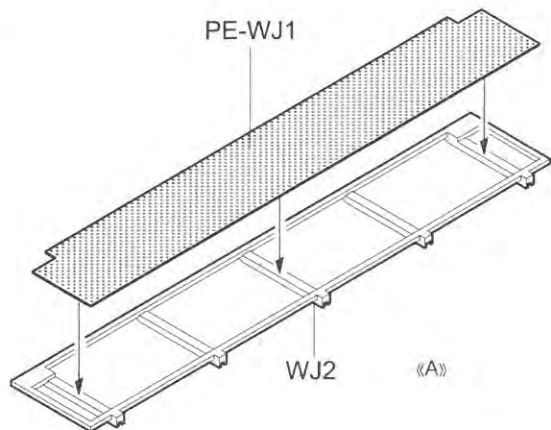


H 70
战车绿
Green

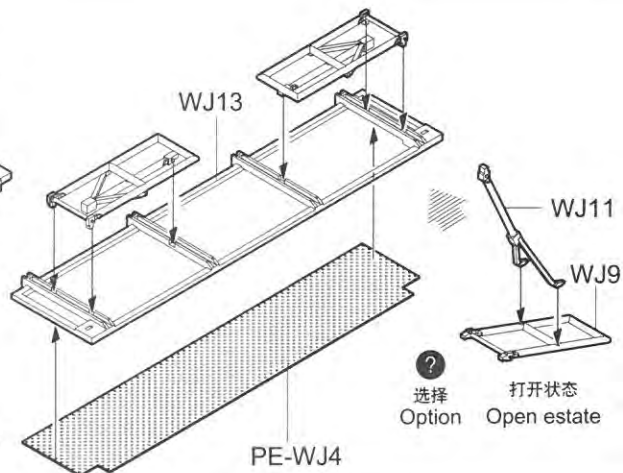
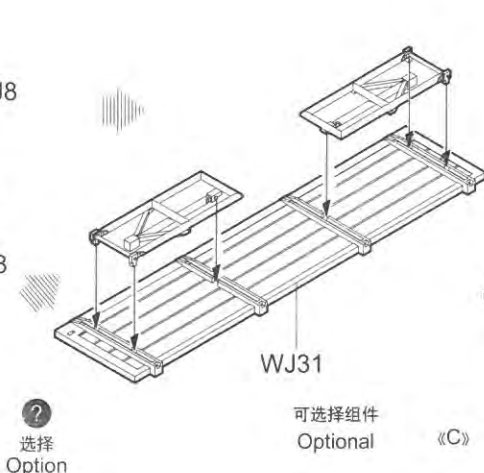
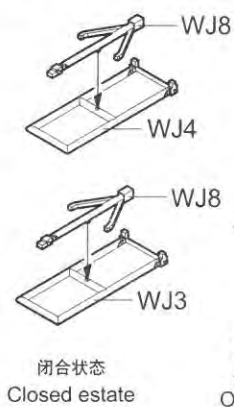




19



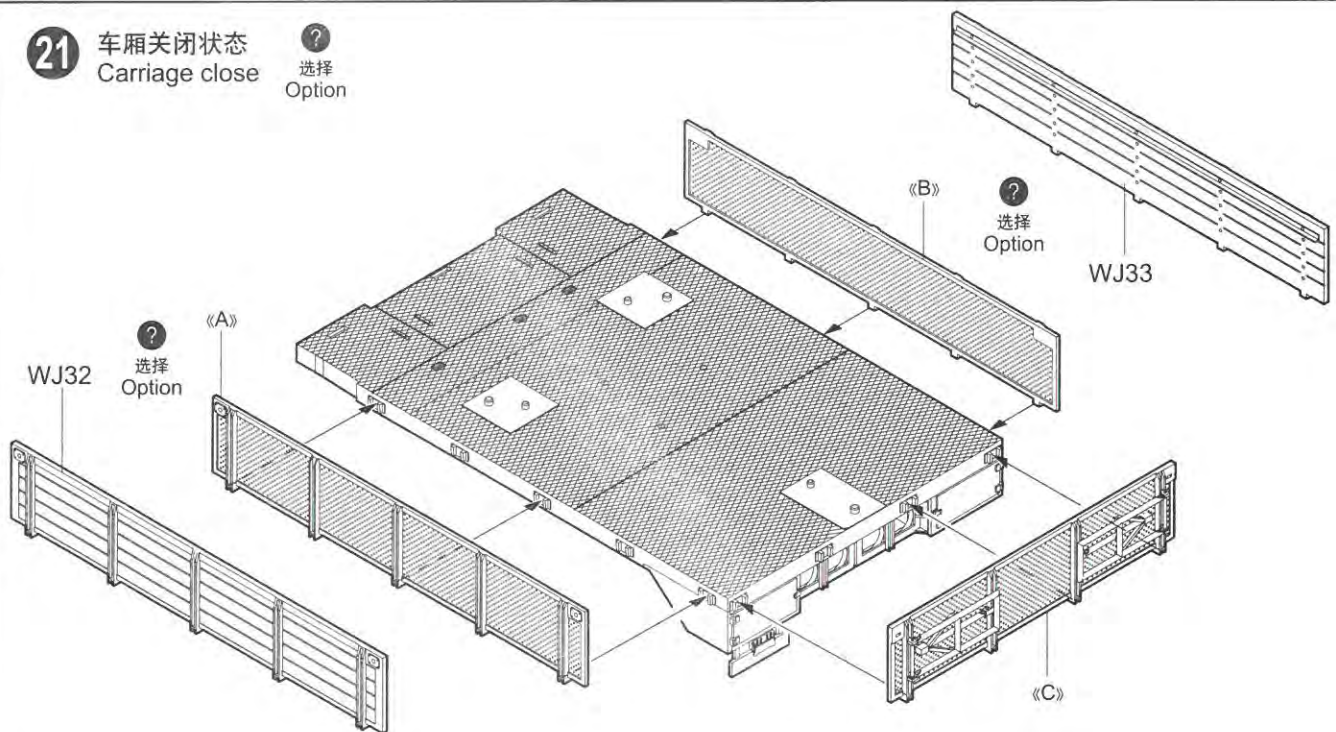
20



21

车厢关闭状态
Carriage close

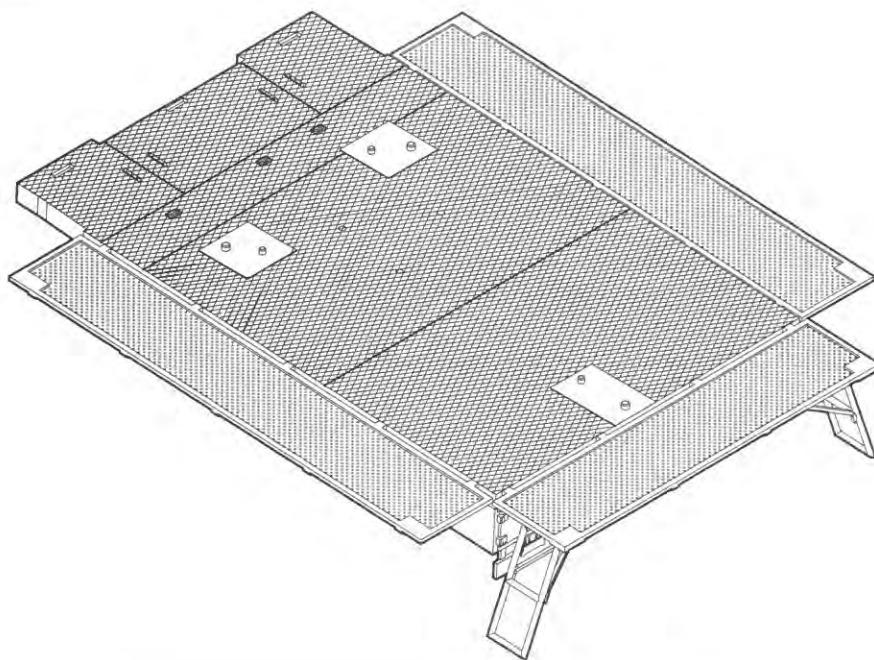
选择
Option



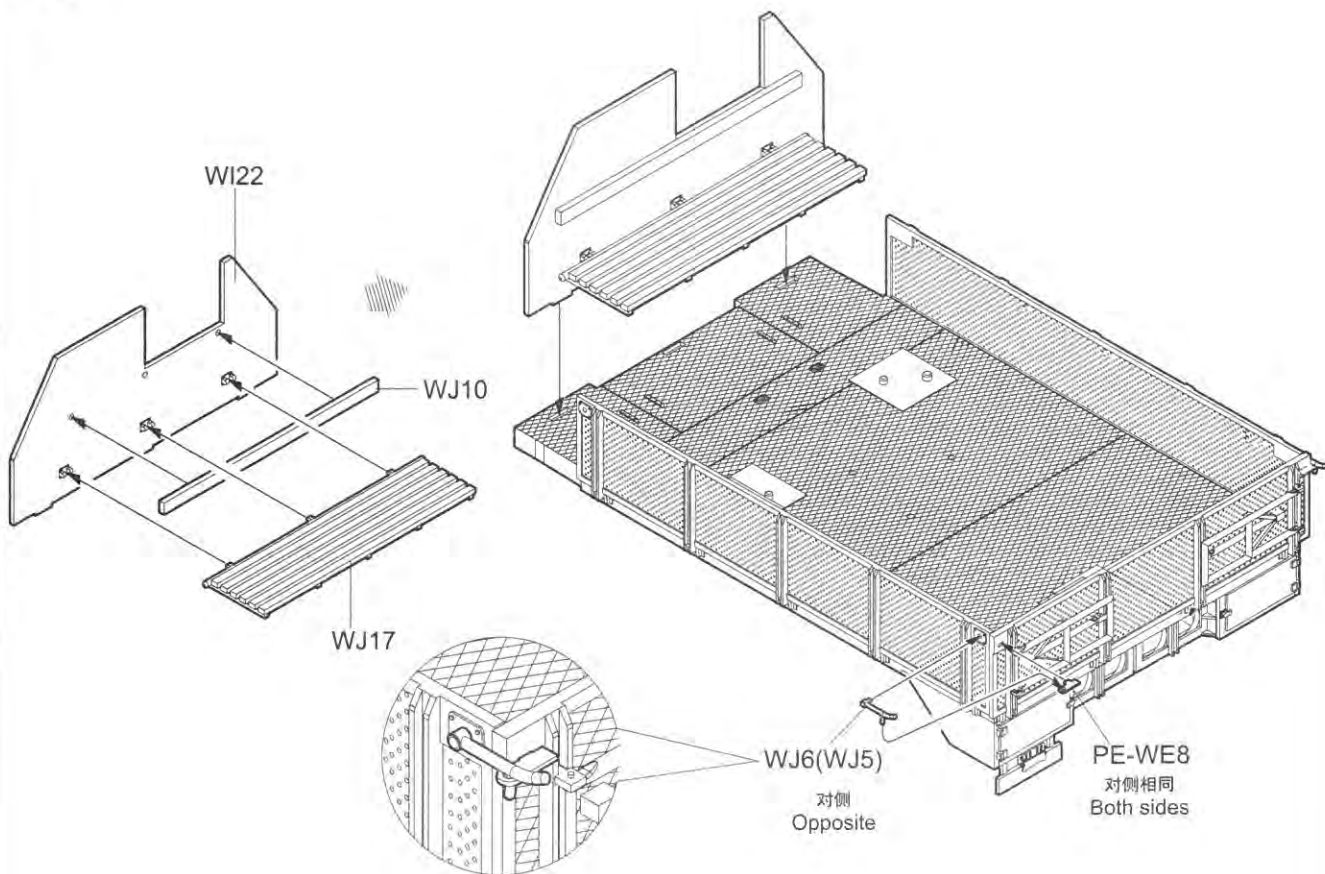
22

车厢打开状态
Carriage open

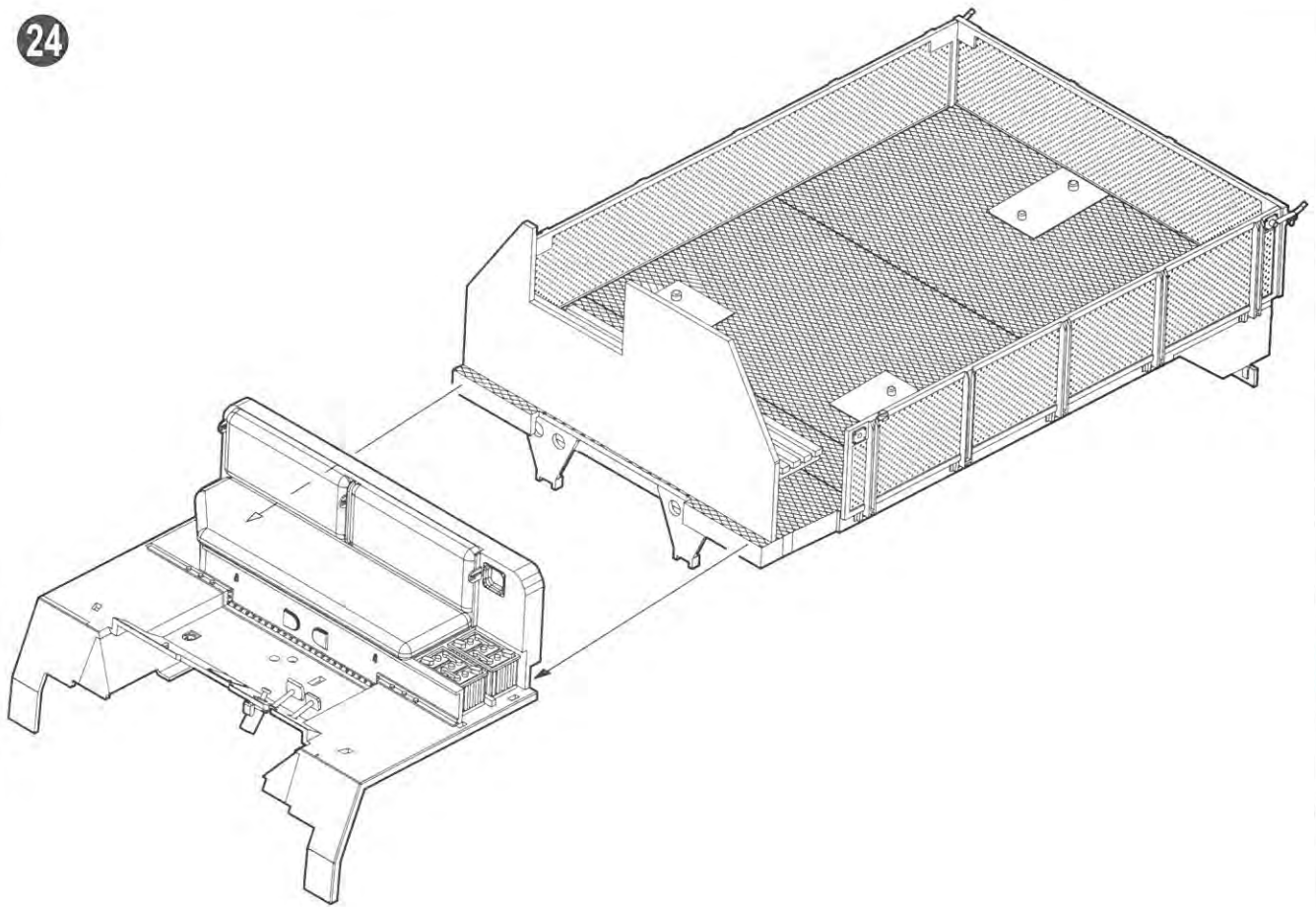
选择
Option



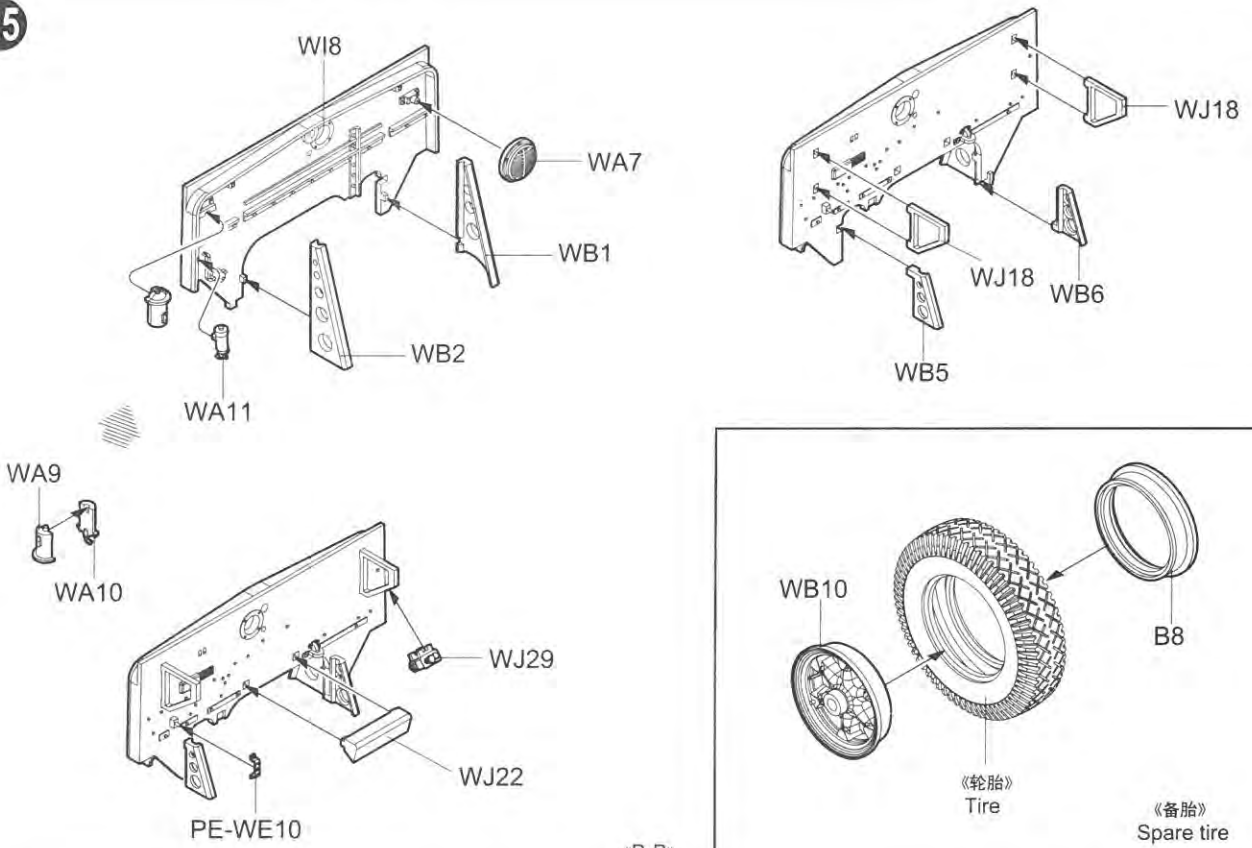
23



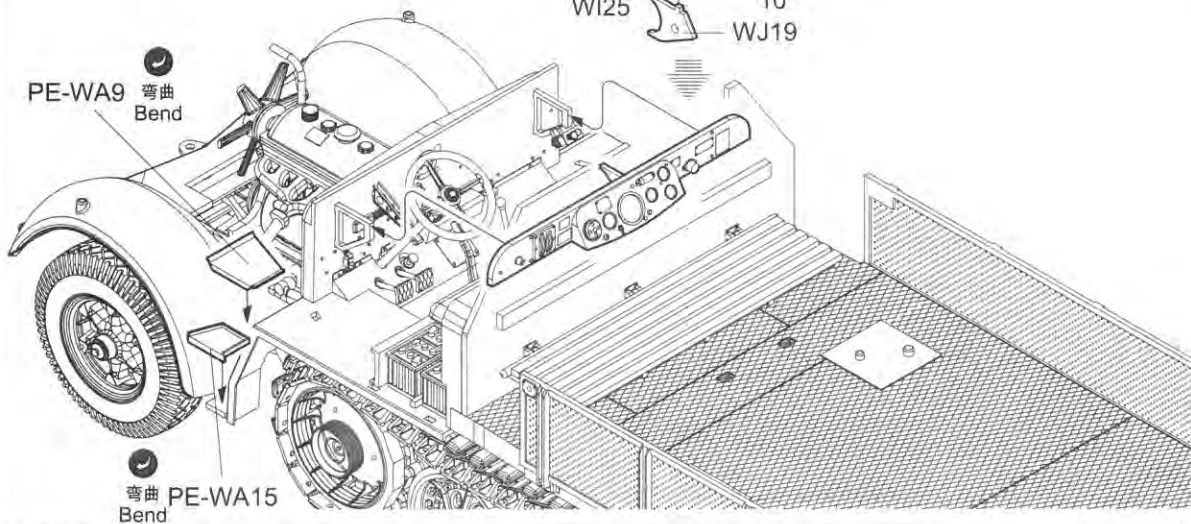
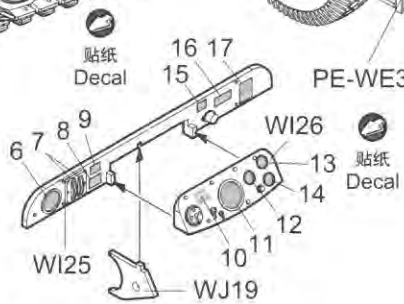
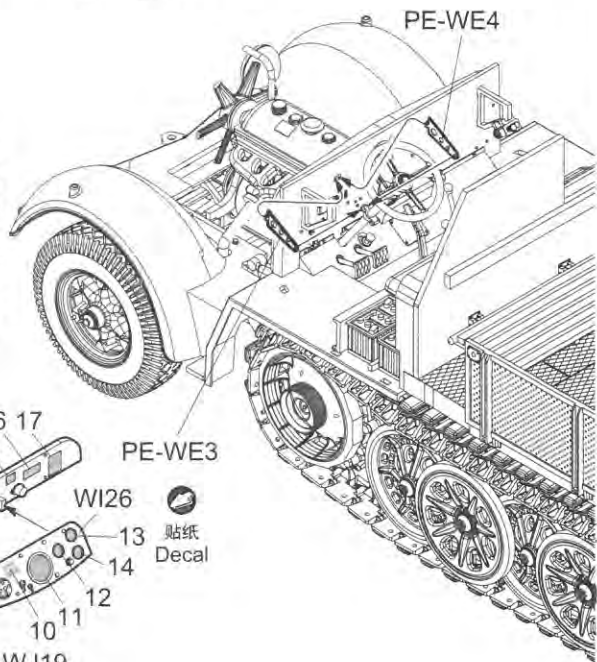
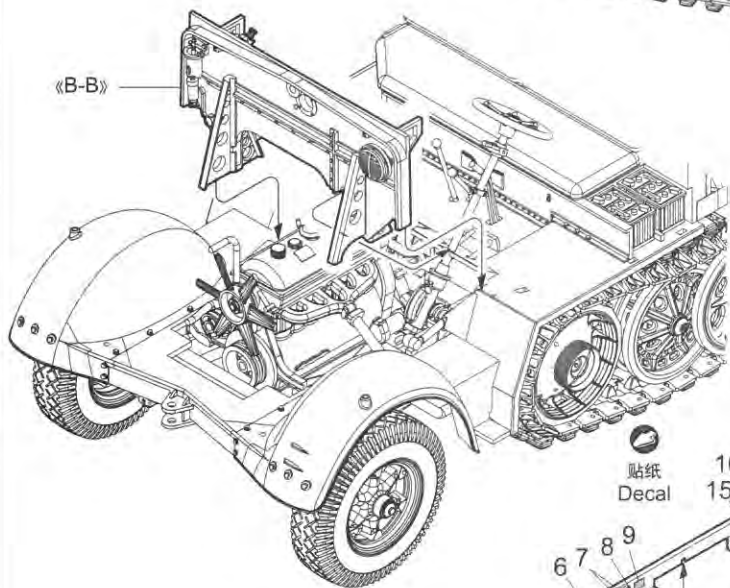
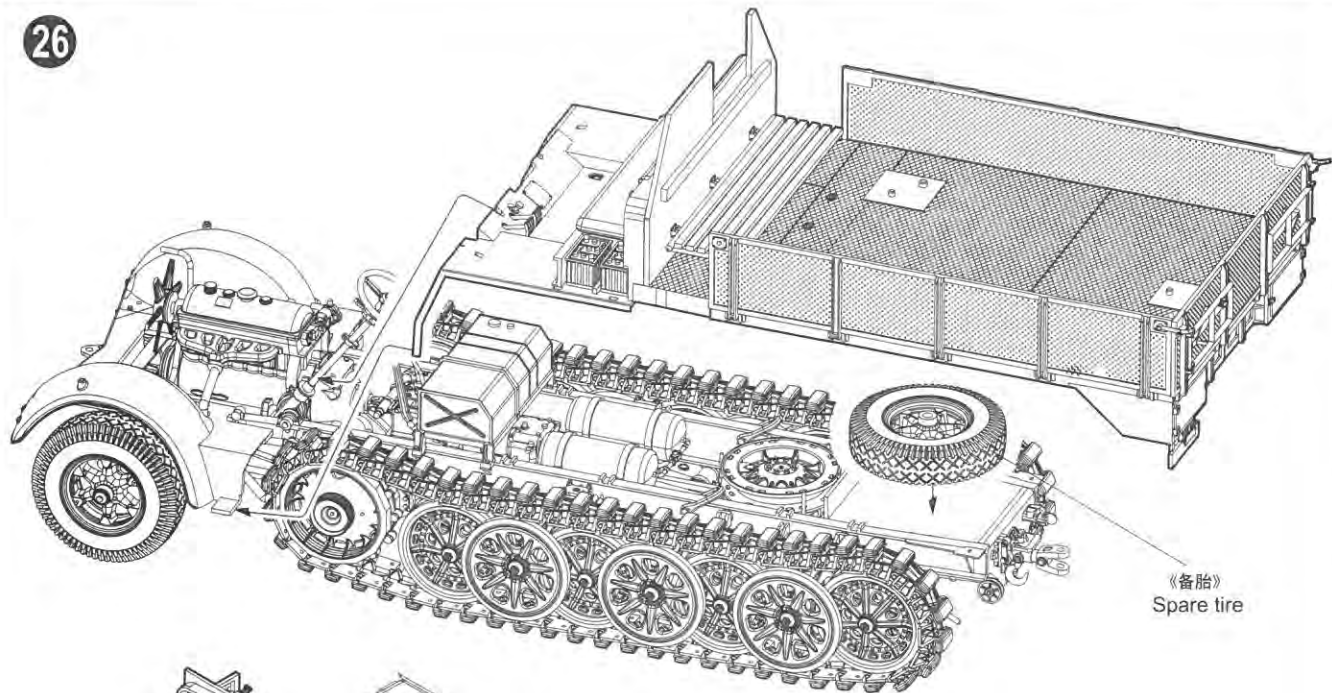
24



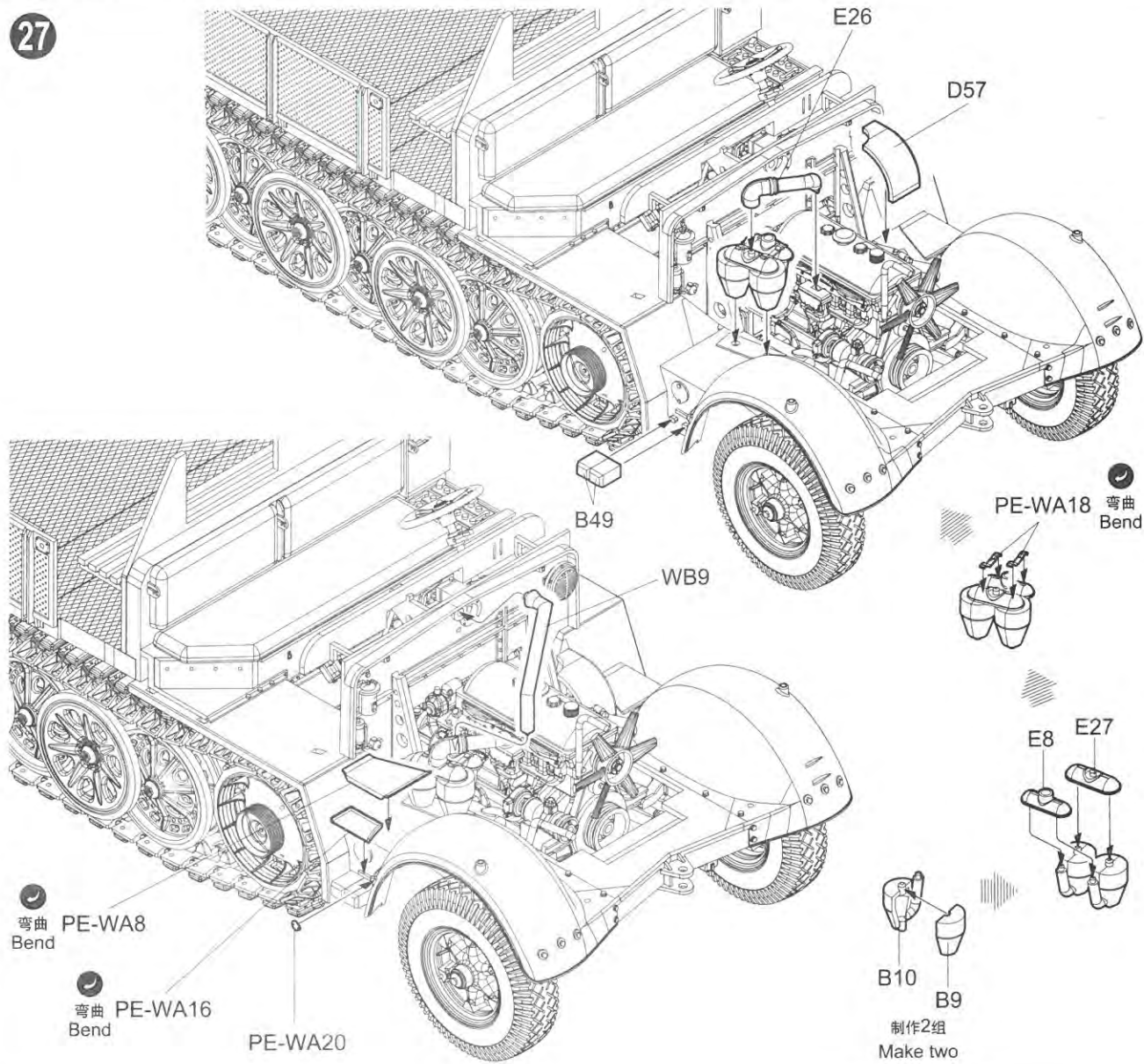
25



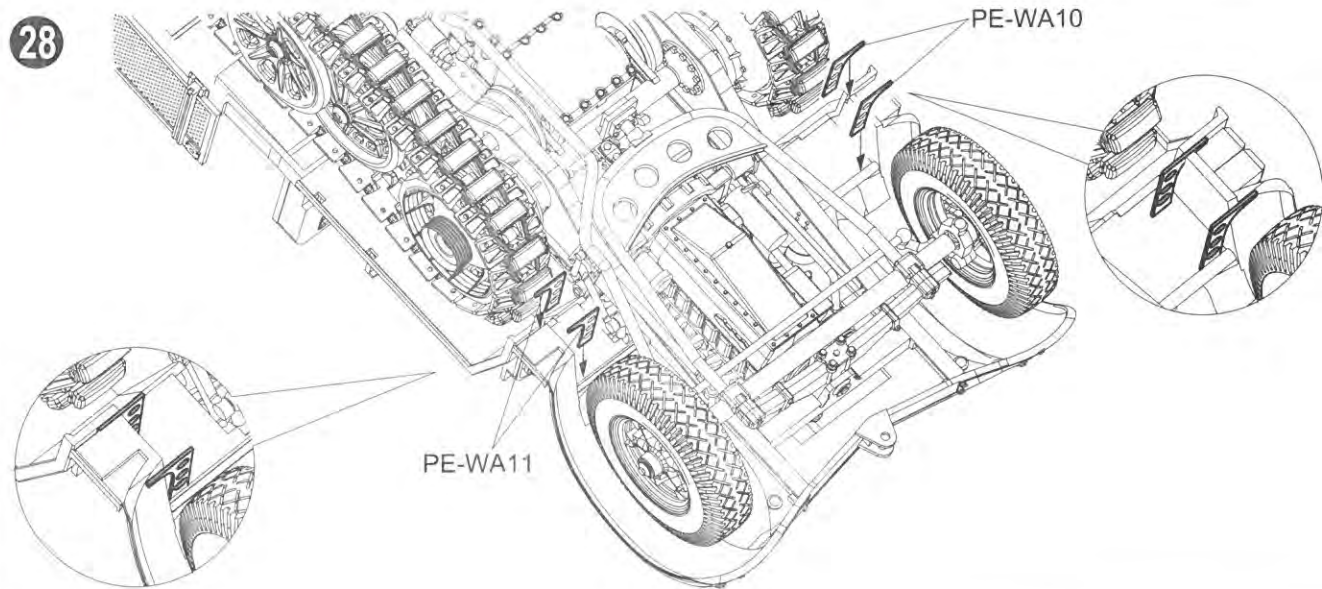
«B-B»



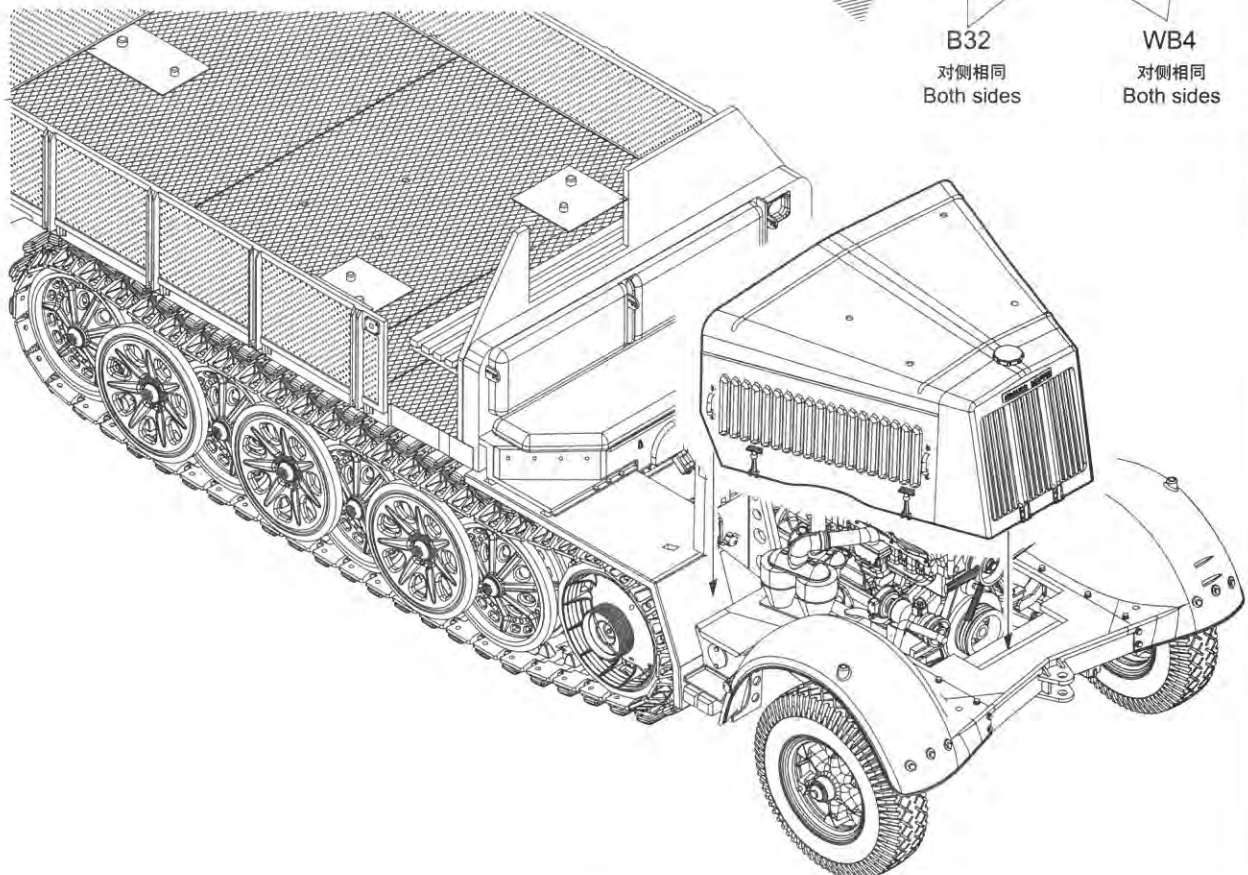
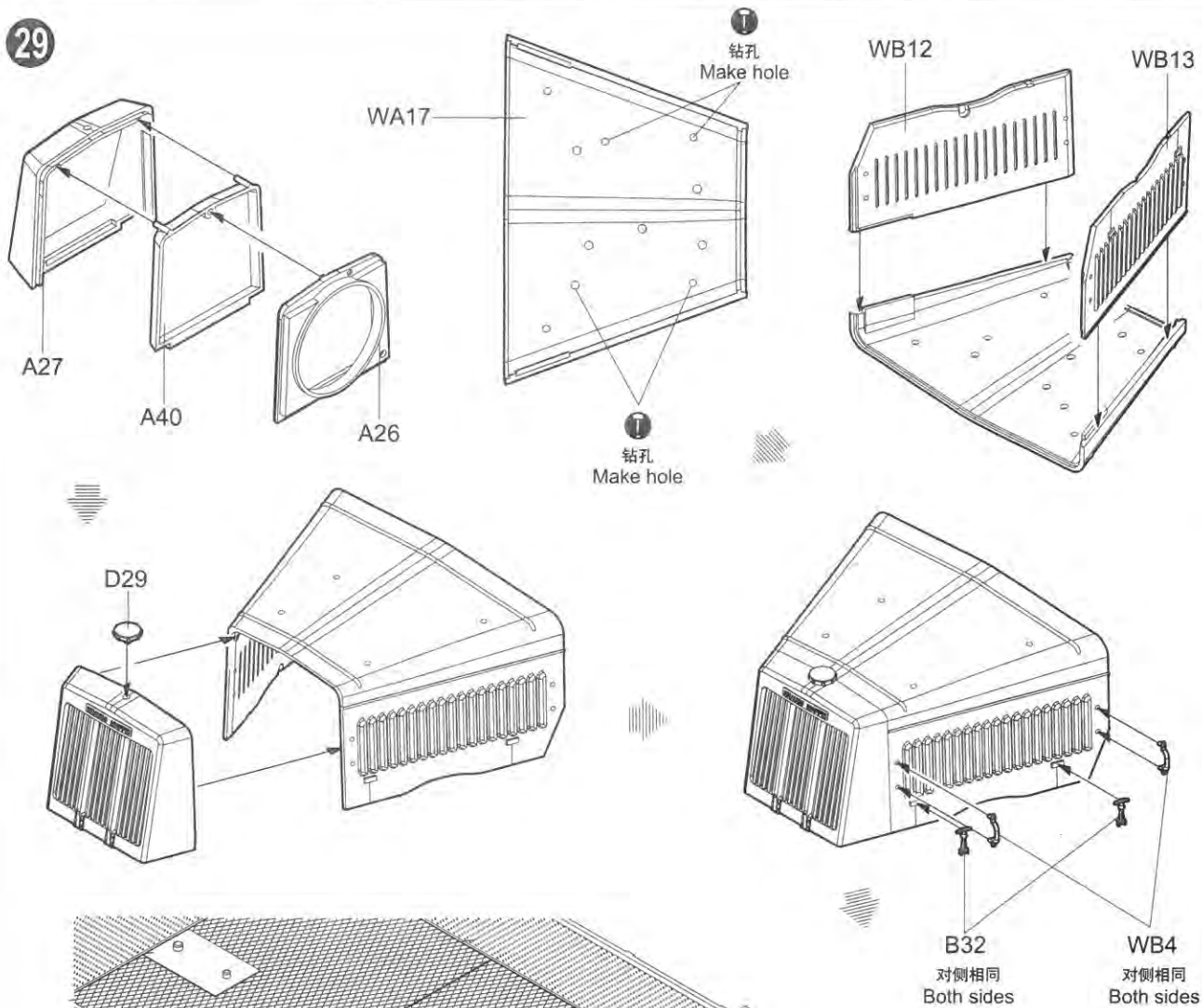
27



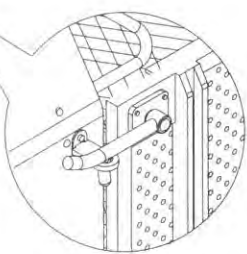
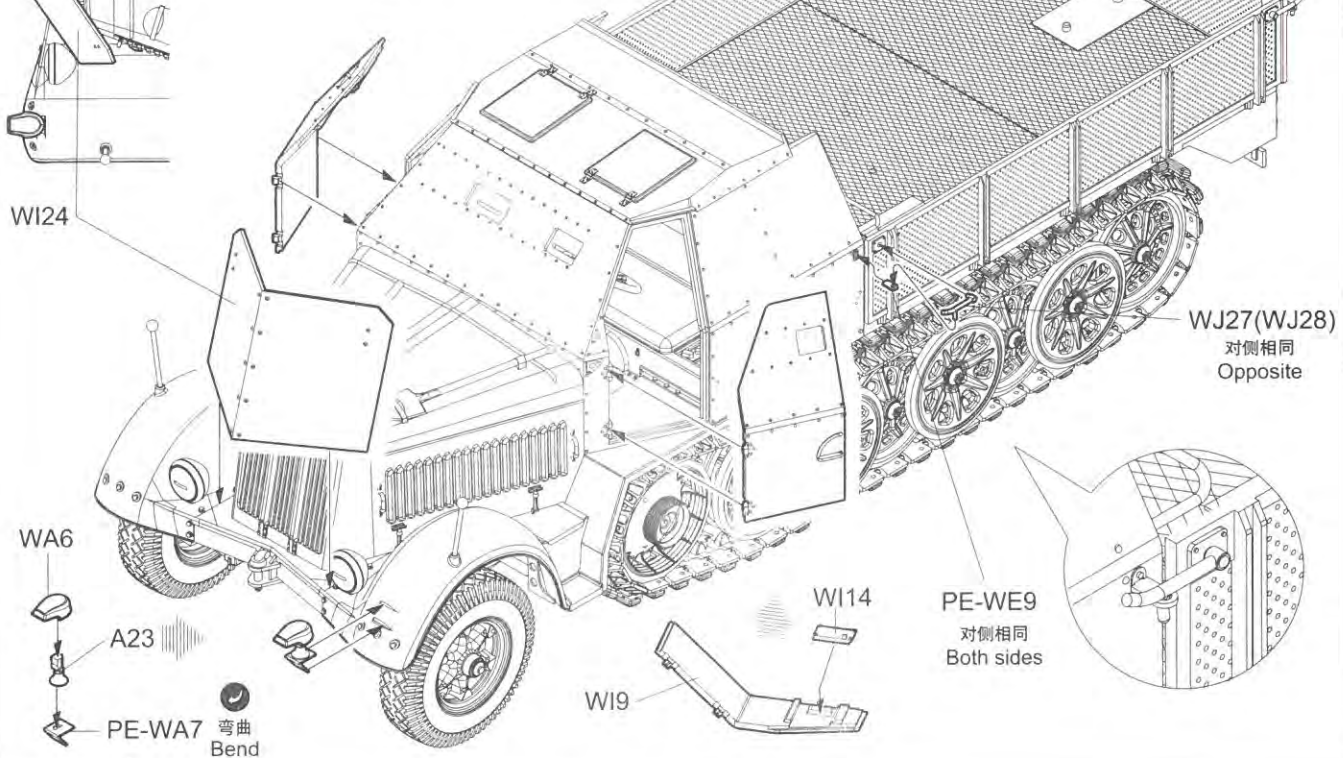
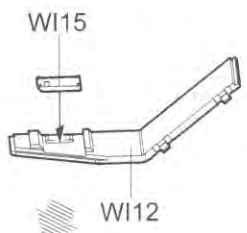
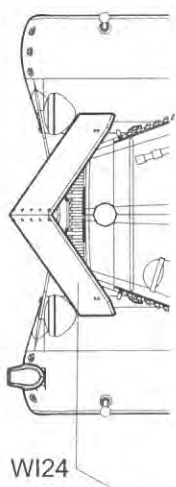
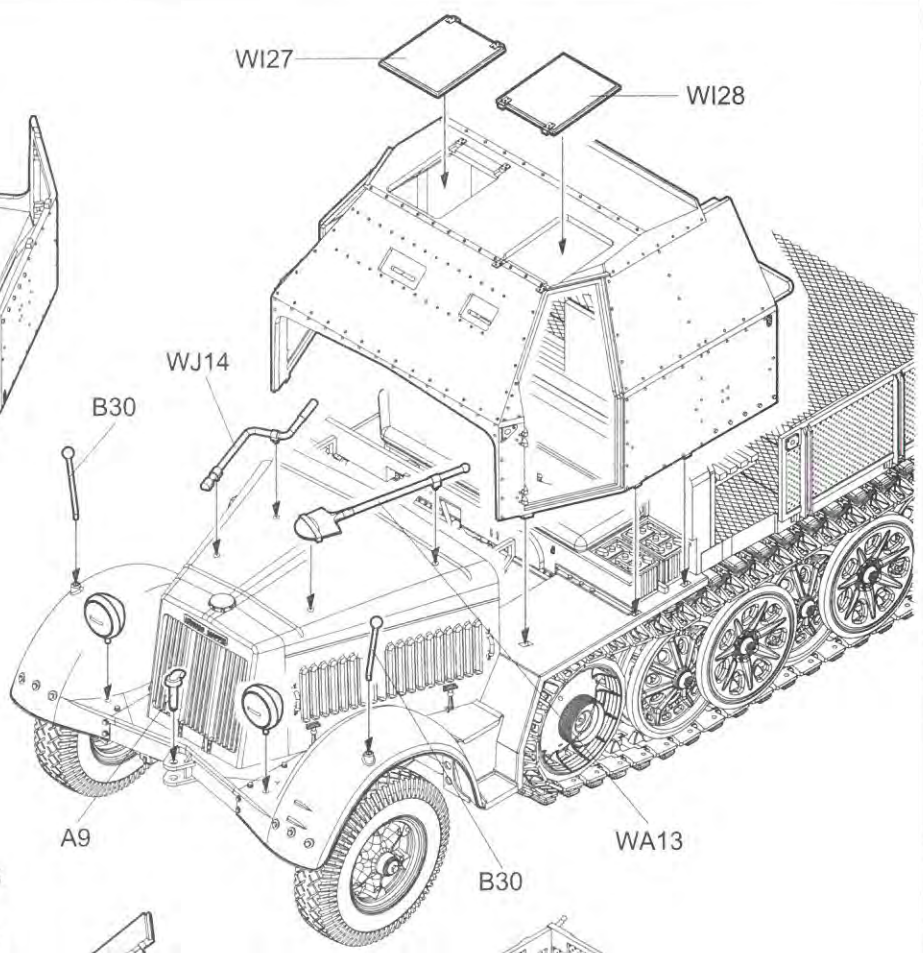
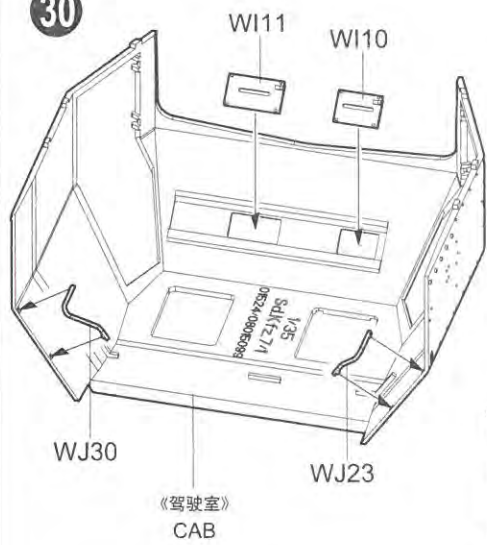
28

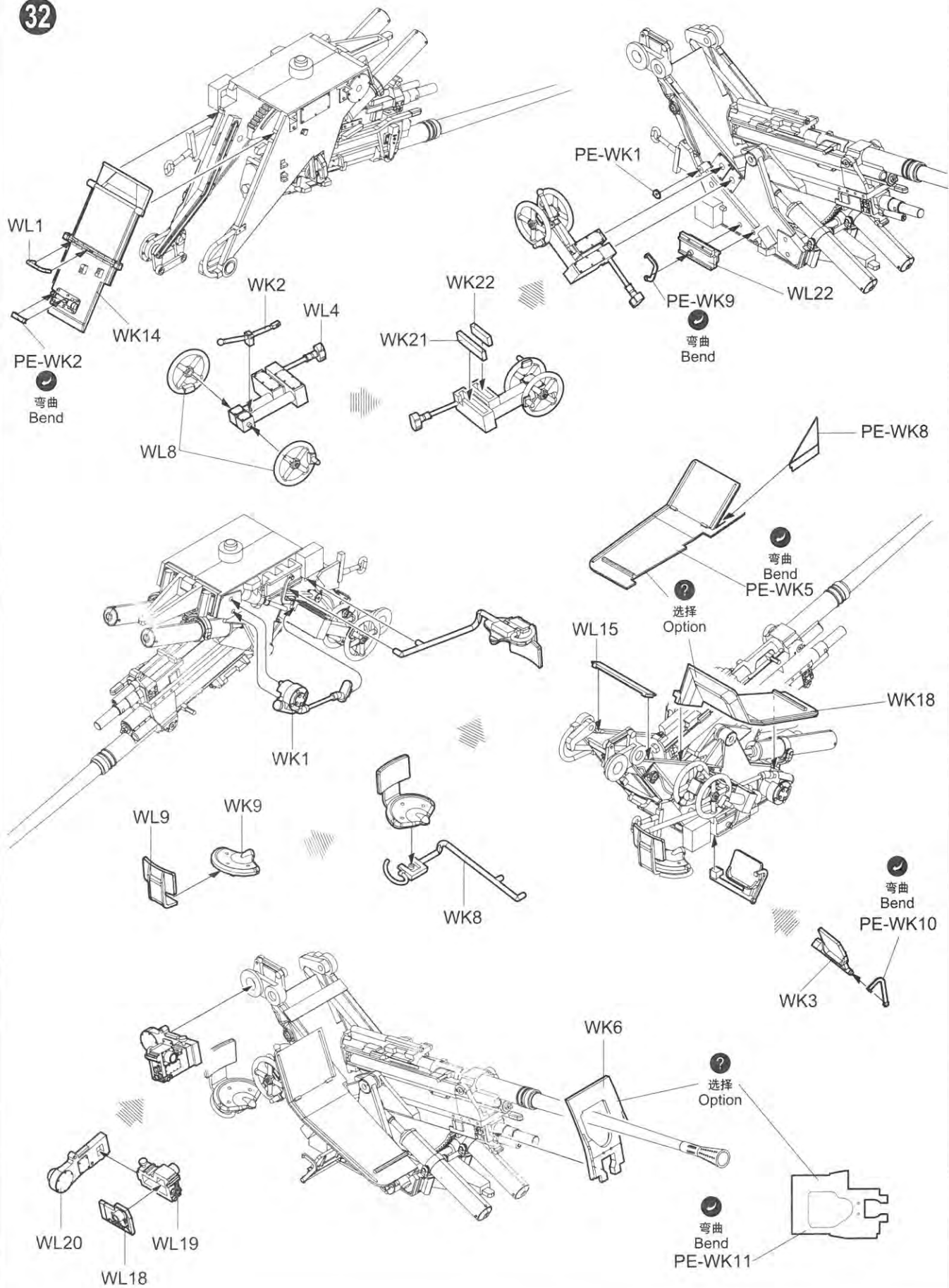


29



30





33

弯曲
Bend
PE-WK3

弯曲
Bend
PE-WK6

弯曲
Bend
PE-WK4

弯曲
Bend
PE-WK7

选择
Option

选择
Option

WL25(WL26)
对侧
Opposite

WL23(WL24)
对侧
Opposite

WL24

WL17

WK23

WL26

WK13

WK23

WK15

WT11

WT11

WT10

WT13

WT7

WT6

WT4

WT4

WT6

WT4

WT2

WT1

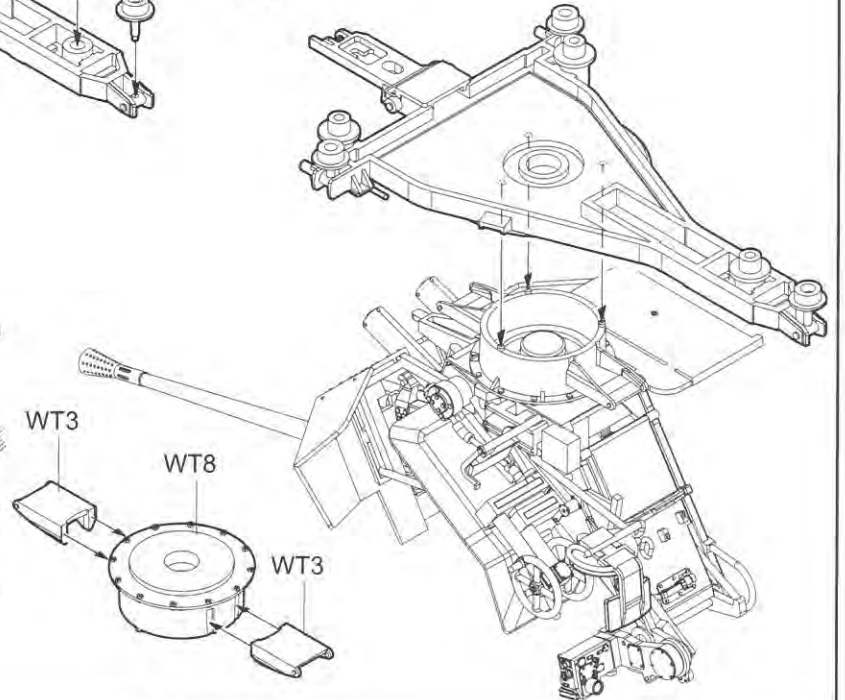
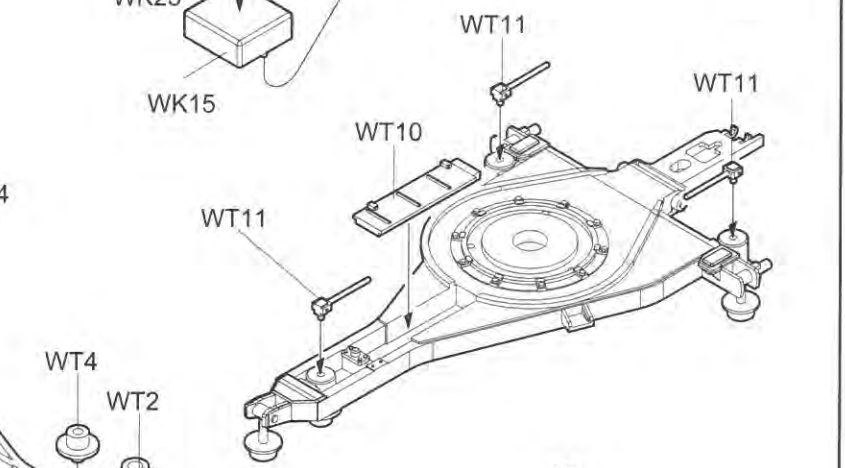
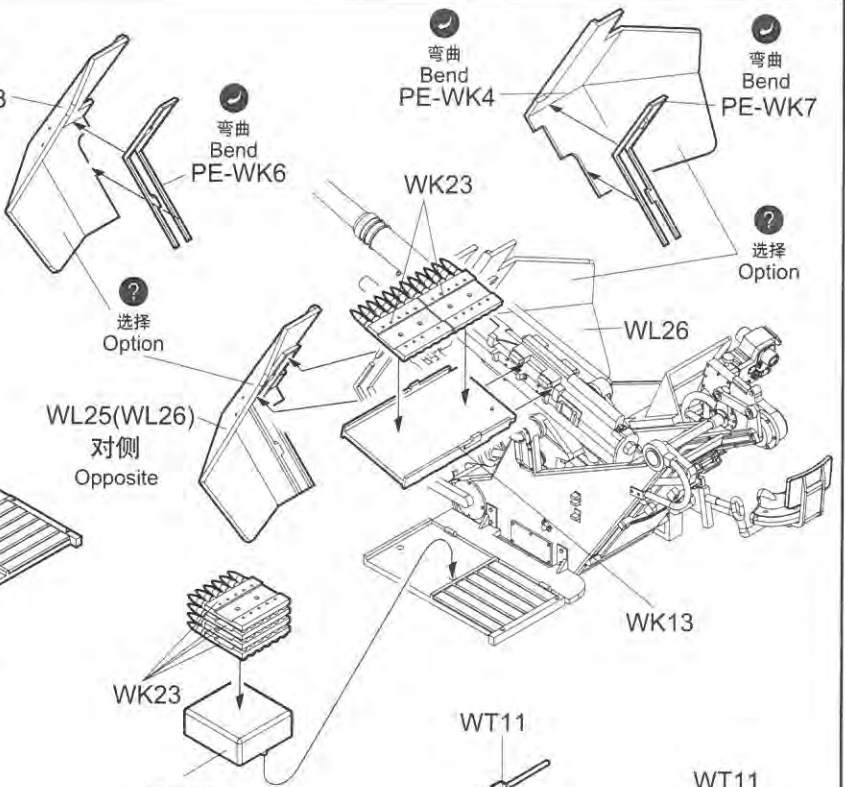
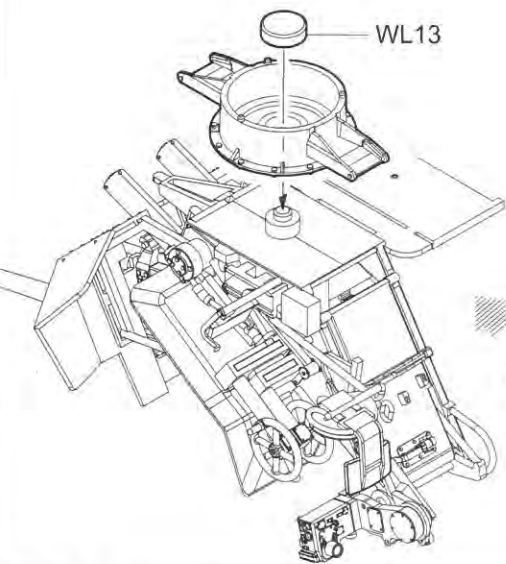
WT11

WL13

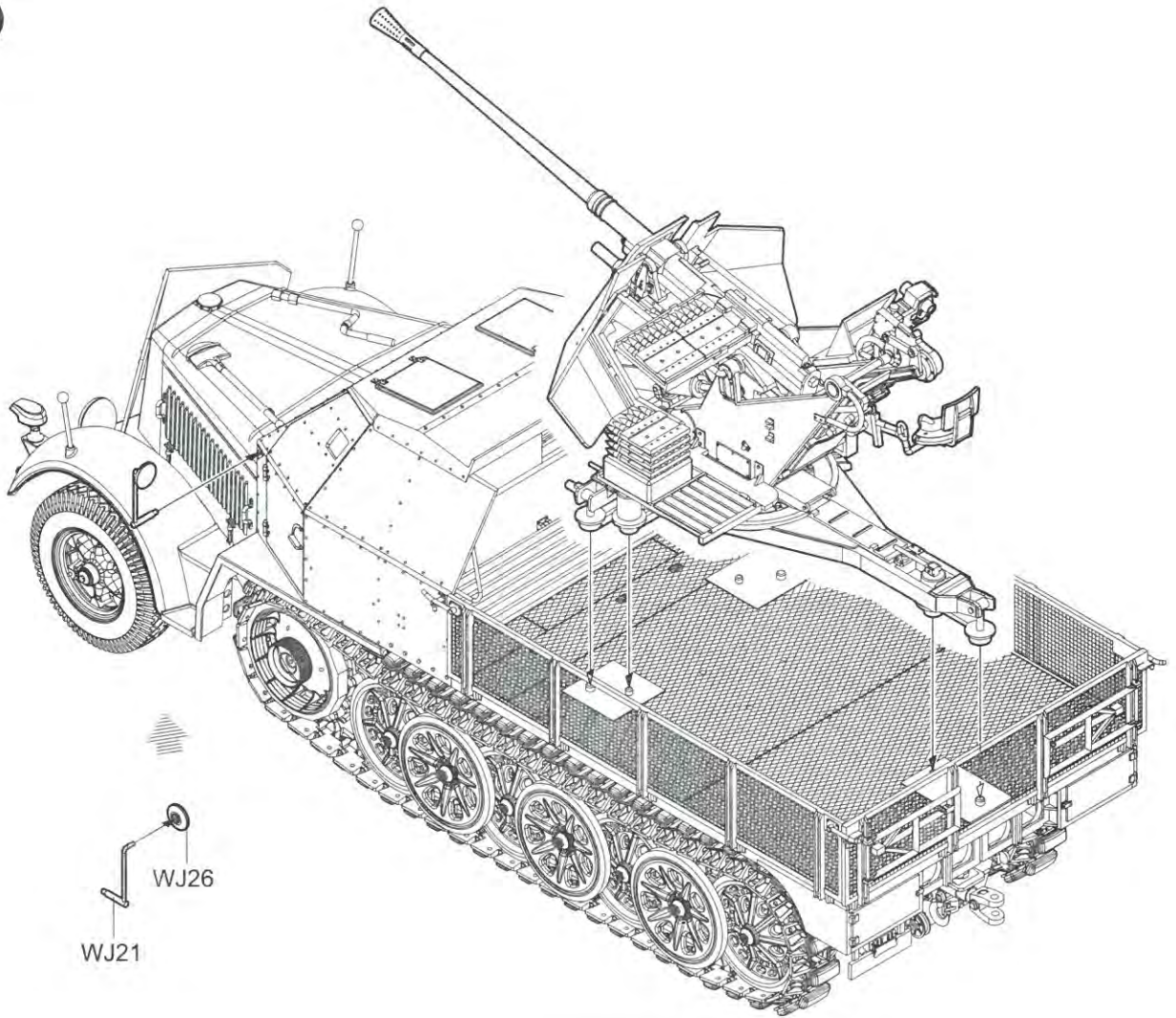
WT3

WT8

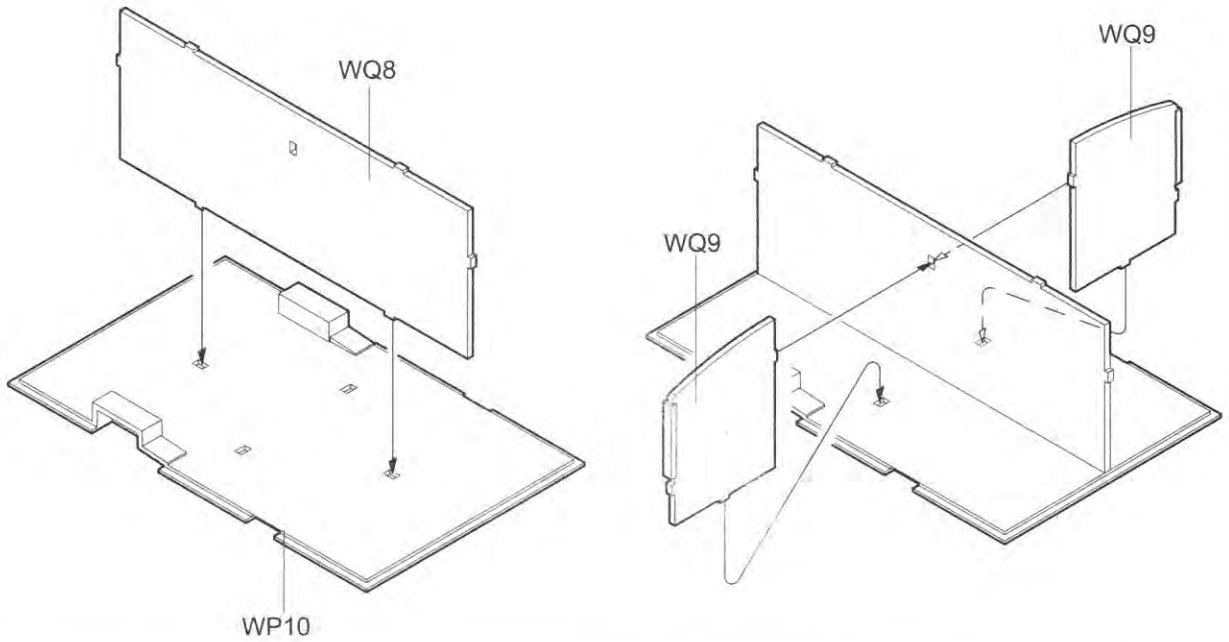
WT3

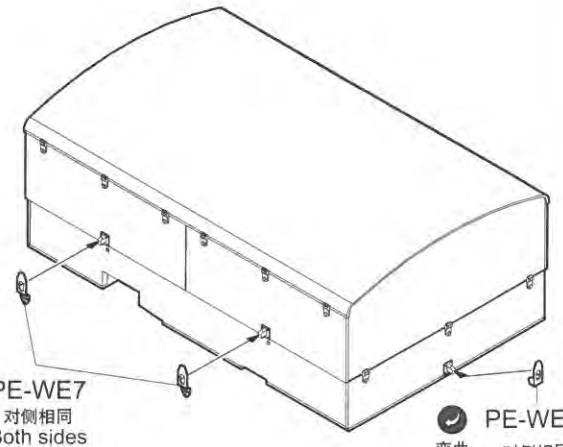
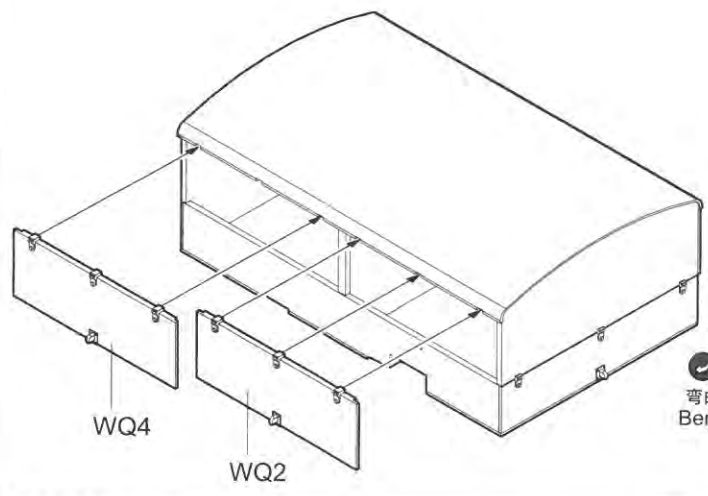
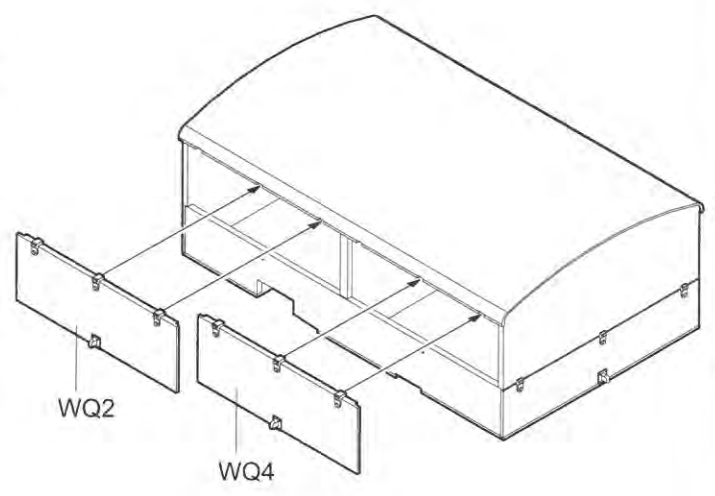
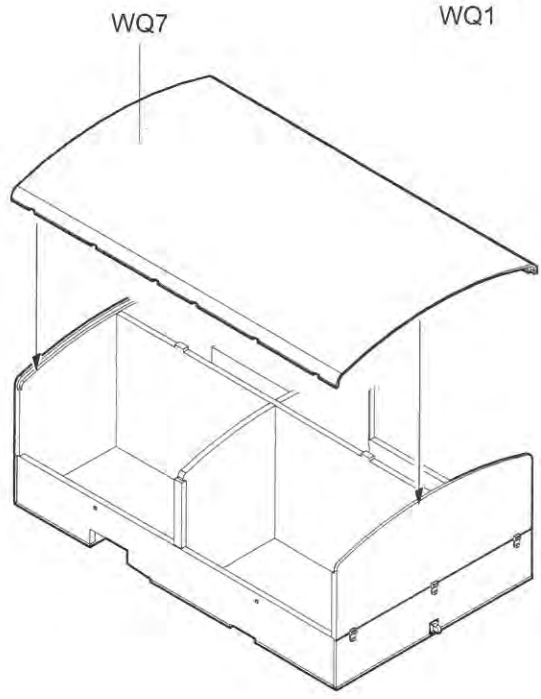
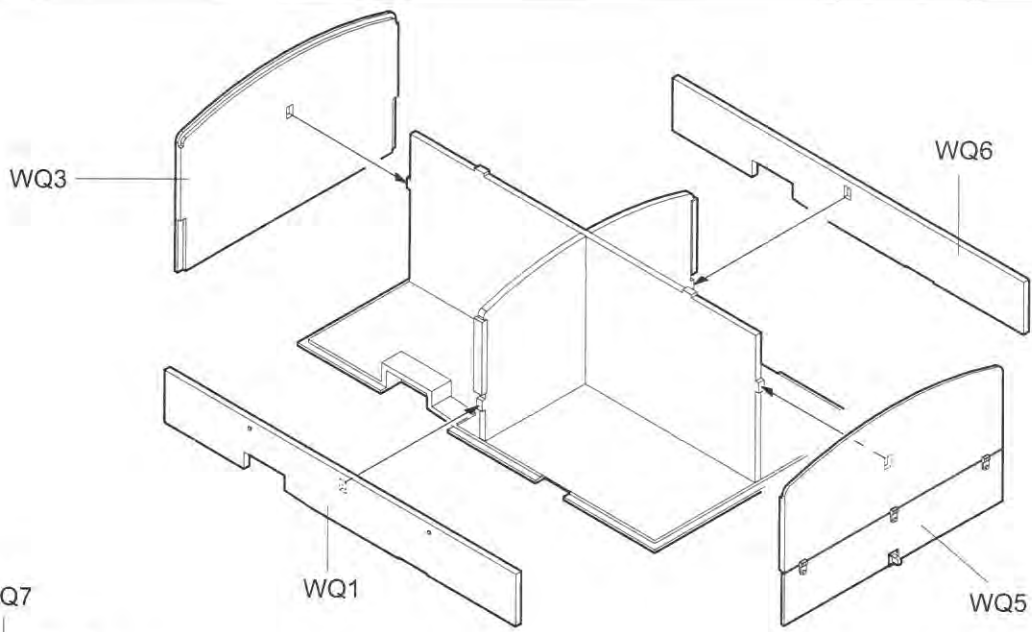



34




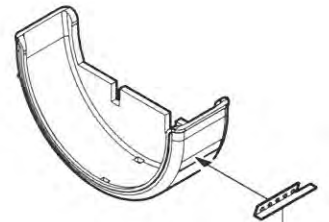
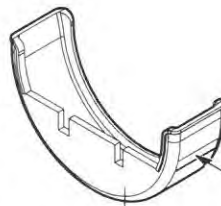
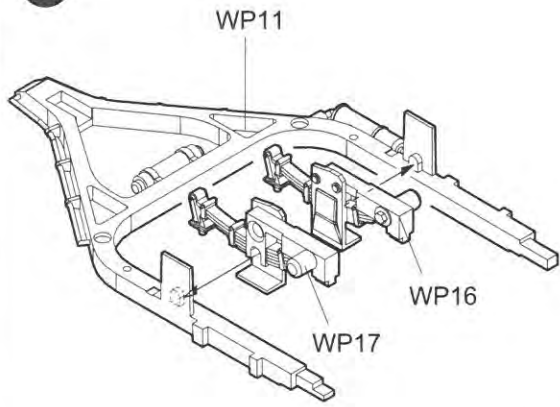
35





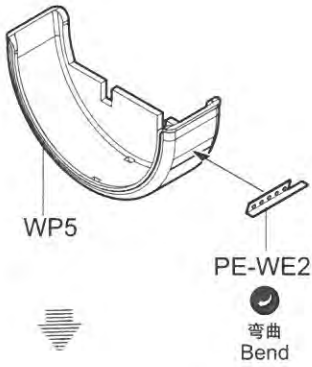
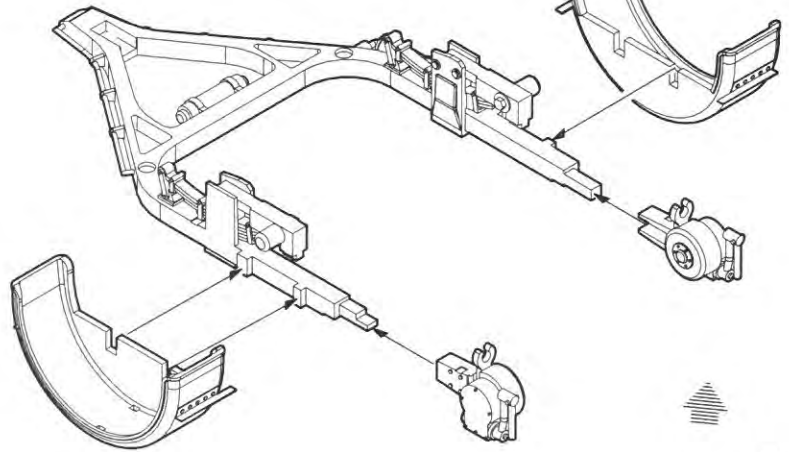
 PE-WE7
 弯曲 对侧相同
 Bend Both sides

 PE-WE5
 弯曲 对侧相同
 Bend Both sides

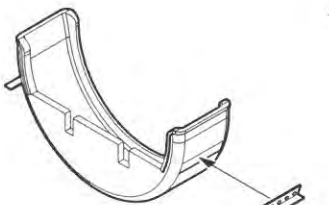


弯曲
Bend

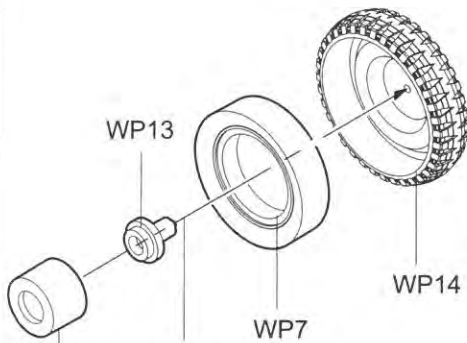
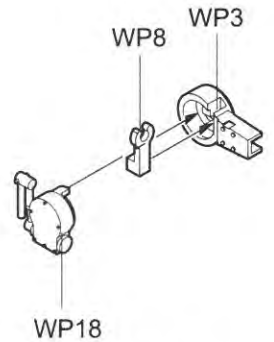
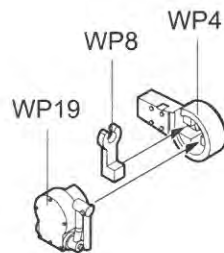
弯曲
Bend



弯曲
Bend

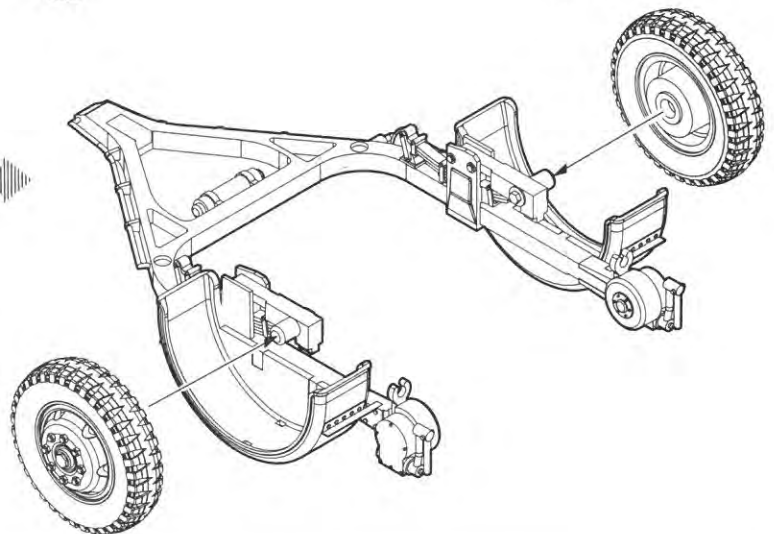


弯曲
Bend

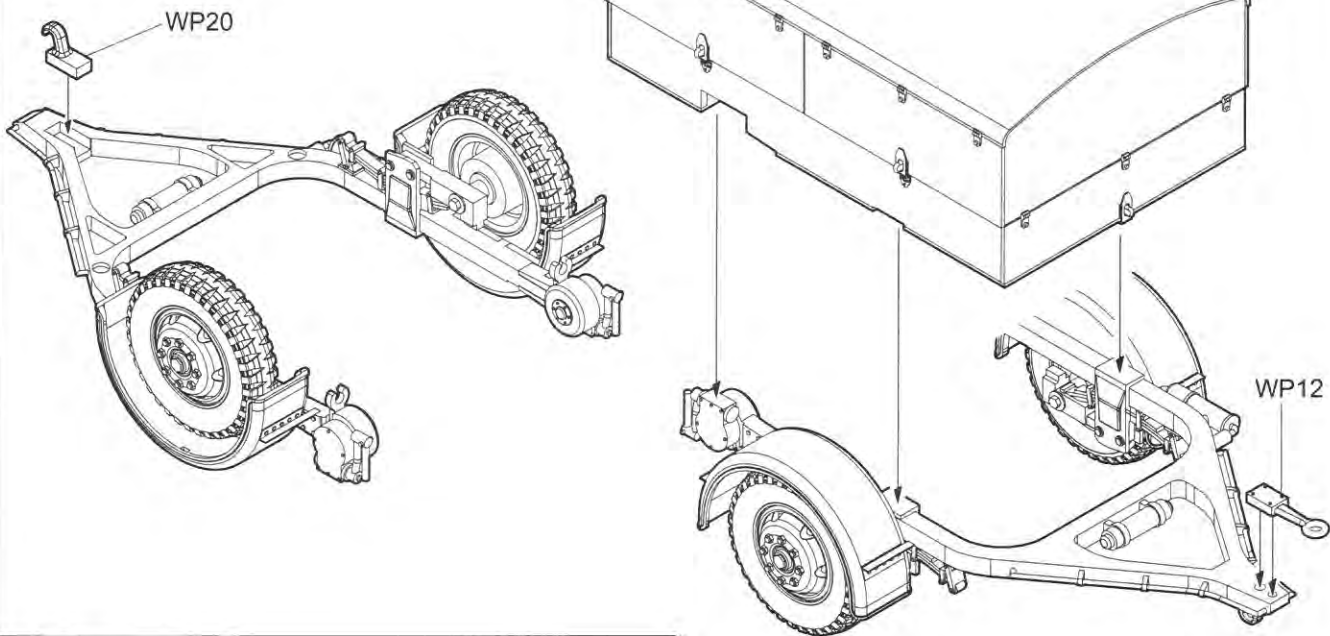


不涂胶水
No cement

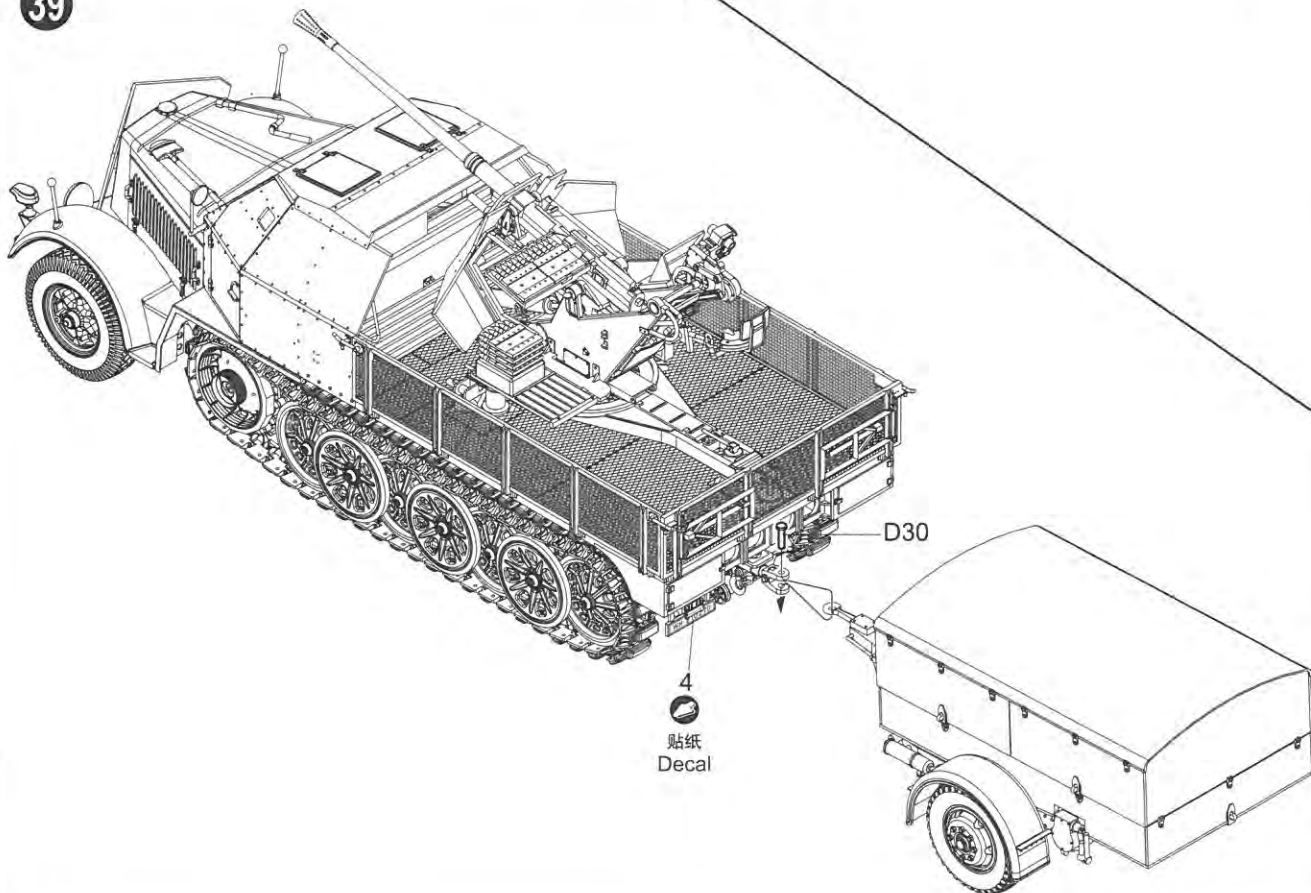
制作2组
Make two



38



39



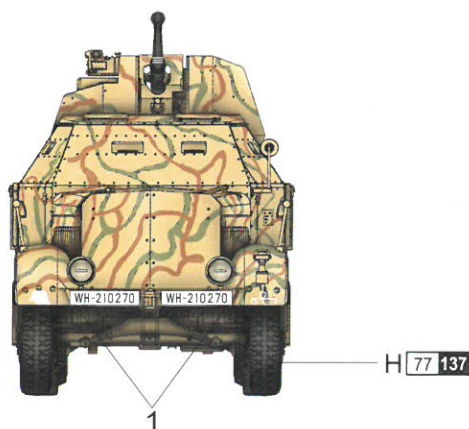
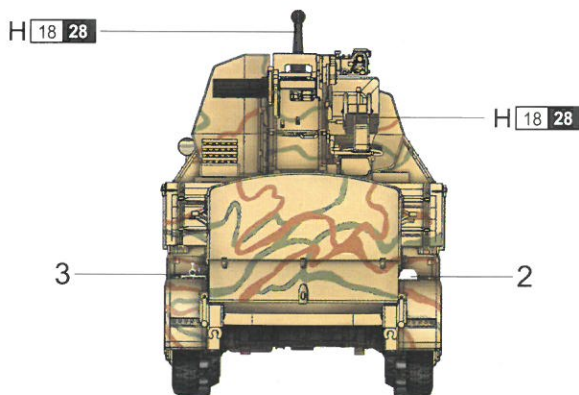
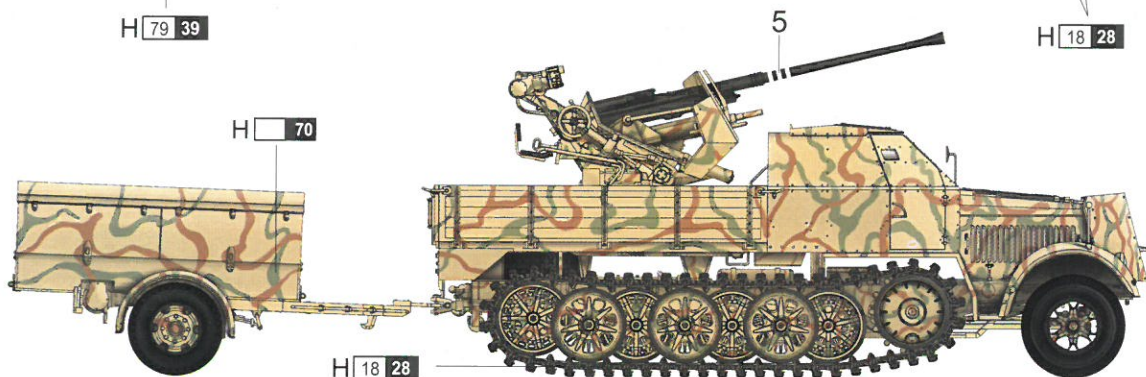
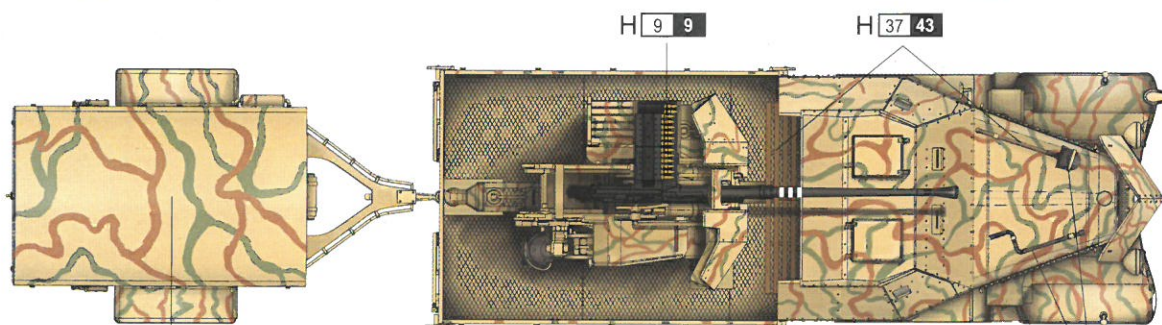
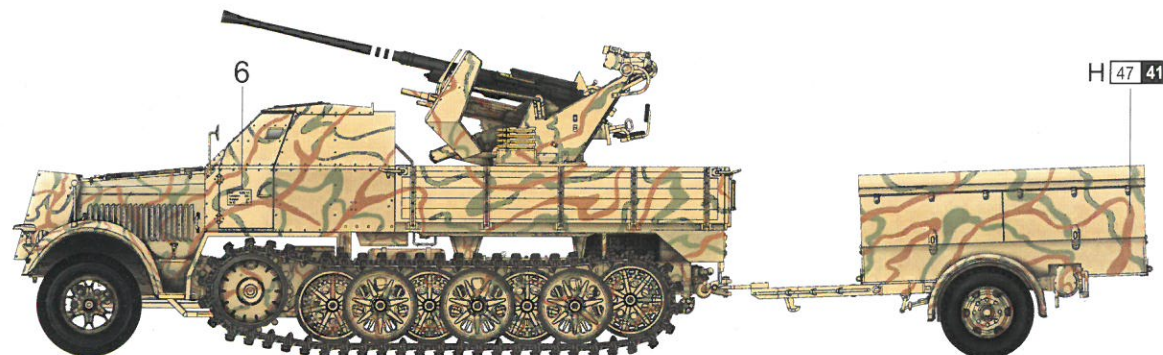
涂装同标贴指示 Painting & Marking guide

PAINT REFERENCE COLOUR

Color	Mr.Hobby	Vallejo	Model Master	Tamiya	Humbrol
Sandy Brown 砂黄色	H 79 39	824	—	XF59	93
Dark Green 暗绿色	H 70	—	—	—	—
Red Brown 红棕色	H 47 41	984	—	XF64	160

Color	Mr.Hobby	Vallejo	Model Master	Tamiya	Humbrol
Steel (Metal Black) 黑银色	H 18 28	864	1402	—	—
Gold 金色	H 9 9	878	1744	XF12	16
Wood Brown 木棕色	H 37 43	983	1701	—	186
Tire Black 胎黑色	H 77 137	—	—	—	—

A



H X AQUEOUS HOBBY COLOUR

X MR.COLOUR

涂装同标贴指示 Painting & Marking guide

B

PAINT REFERENCE COLOUR

Color	Mr.Hobby	Vallejo	Model Master	Tamiya	Humbrol
Steel (Metal Black) 黑铁色	H 18 28	864	1402	—	—
Gold 金色	H 9 9	878	1744	XF12	16
Wood Brown 木棕色	H 37 43	983	1701	—	186
Tire Black 胎黑色	H 77 137	—	—	—	—
Sandy Brown 砂棕色	H 79 39	824	—	XF59	93

