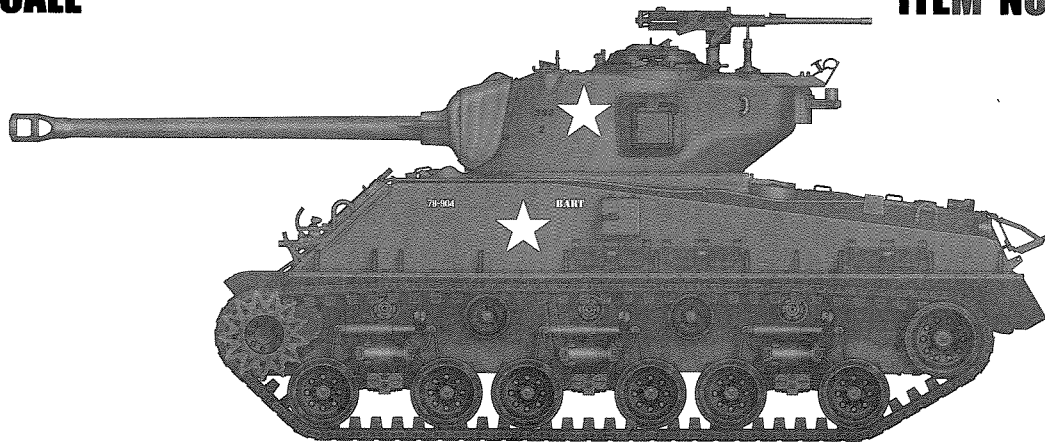


1/16 SCALE

ITEM NO.:61619



M4A3E8 Medium Tank - Early

美国M4A3E8中型坦克-早期型

READ BEFORE ASSEMBLY:

- Study and understand these instructions thoroughly before beginning assembly
- When needed, remove photo-etch parts carefully using a modeling knife or photo etch sprue cutter, being careful not to damage or lose small parts.
- Take extra care in handling photo etch parts in order to avoid injury
- Apply instant cement sparingly to photo etch parts where instructed
- Tools recommended(not included in kit):Plastic and instant cements, sprue cutters,long nose pliers,modeling knife, small files, tweezers, pin vise & scissors. Soft cloth and sandpaper will also assist in construction
- Glue and paint are not included in the kit. Use plastic cement and hobby paints only. Color guide for purchasing paint is included in the kit.

装配之前仔细阅读

- 小心用模型锉刀锉平所有零件表面的注射浇口。
- 小心用刀片切下蚀刻片零件，不要遗失小零件。
- 用强力快干胶水粘合蚀刻片零件和金属轴。过量快干胶水使用可能导致可动零件会粘住，小心涂胶。
- 取蚀刻片时应特别注意安全，防止利边划伤手指。
- 某些零件表面需贴上水贴纸，请选择在装配的同时进行。
- 推荐模型工具(自备)：胶水，水口剪刀，长咀钳，刀片，锉刀，镊子，钳，钻，剪刀，瞬间快干胶。
- 软布同砂纸同时也是所需工具。
- 请使用塑料胶水和油漆，模型内不含。



使用强力胶
Cyanoacrylate glue



配重
Weight



钻孔
Make hole



切除
Cut / Remove



贴纸
Decal



锉平
File / Sand



选择
Option



不涂胶水
No cement



弯曲
Bend



先装
Install it first



填补
Repair

水贴纸的使用:

- 1.从水贴上剪下印花;
- 2.将印花放入温水中浸10秒, 然后放在干净布上。
- 3.拿着印花纸板将印花移到模型上;
- 4.手指蘸水将印花移到适当的位置;
- 5.用软布轻压印花直至水干, 气泡消失

DECAL APPLICATION

- 1.Cut decals from sheet as needed
- 2.Dip the decal in warm water for about 10 seconds and then place on soft clean cloth.
- 3.Hold the decal backing sheet edge and gently slide the decal onto the model in its proper position.

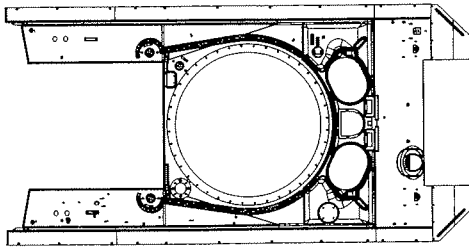
- 4.While still wet,decal can be adjusted for better fit on model by dampening it gently with your finger.
- 5.When placed in the proper position,gently press decal down with a soft cloth until excess water and air bubbles are gone.
- 6.Allow decal to dry completely before handling model

* 说明书中含有重要信息，应保留。 Please Keep instruction since it contains important information.

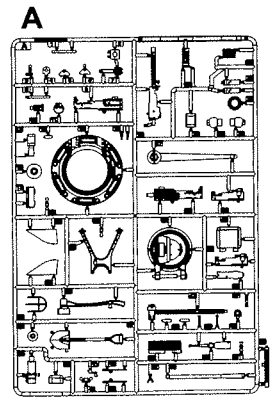
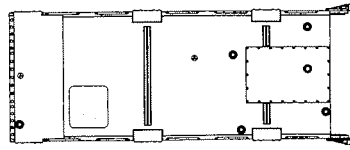
部品图 Parts

不用部件: A2 A21 A38 A54 F2 F13 F17 F28 L18 L19 L21 L42 L43
Unused Parts L44 L46 L48 L49 ME1 ME15 ME33 MG16

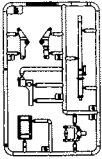
《车面》
Upper hull



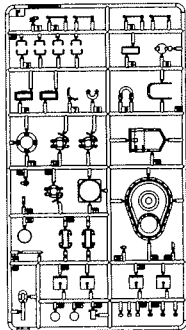
《车底》
Lower hull



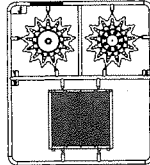
B



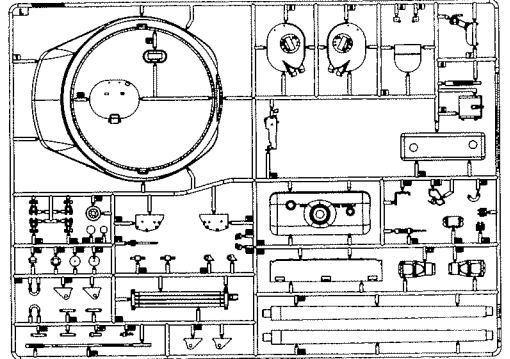
Fx2



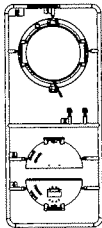
Jx2



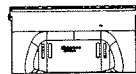
L



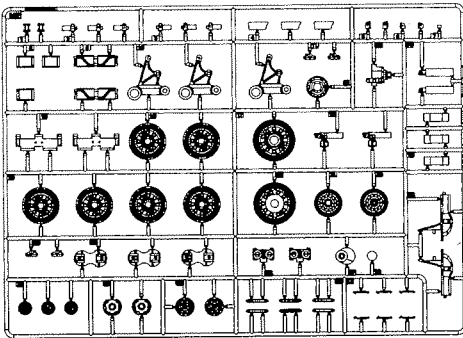
E



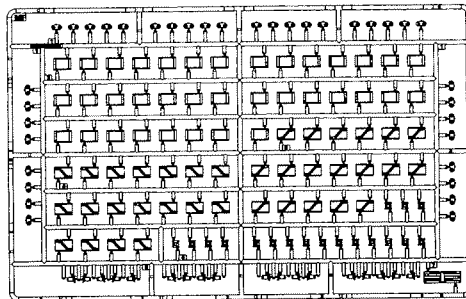
MP2



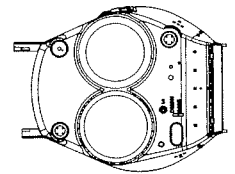
MEx4



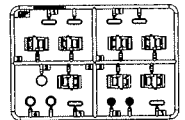
MFx9



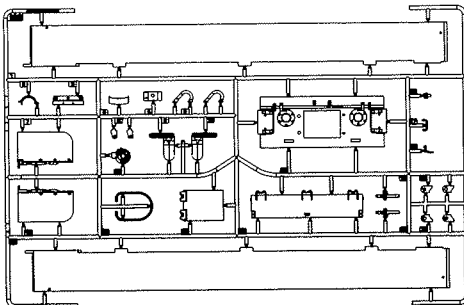
U1



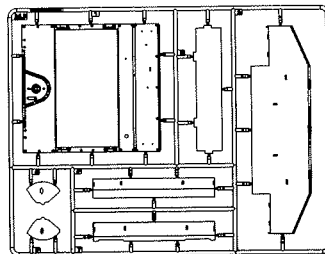
GP



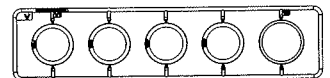
MG



MJ



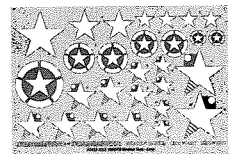
V1x6



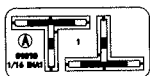
V4



《水贴》
Decal



PE-A



《铁轴》x320
Axle $\varnothing 1.5 \times 33.3\text{mm}$

《弹簧》x12
Spring $\varnothing 0.5 \times \varnothing 7.6 \times 20\text{mm}$

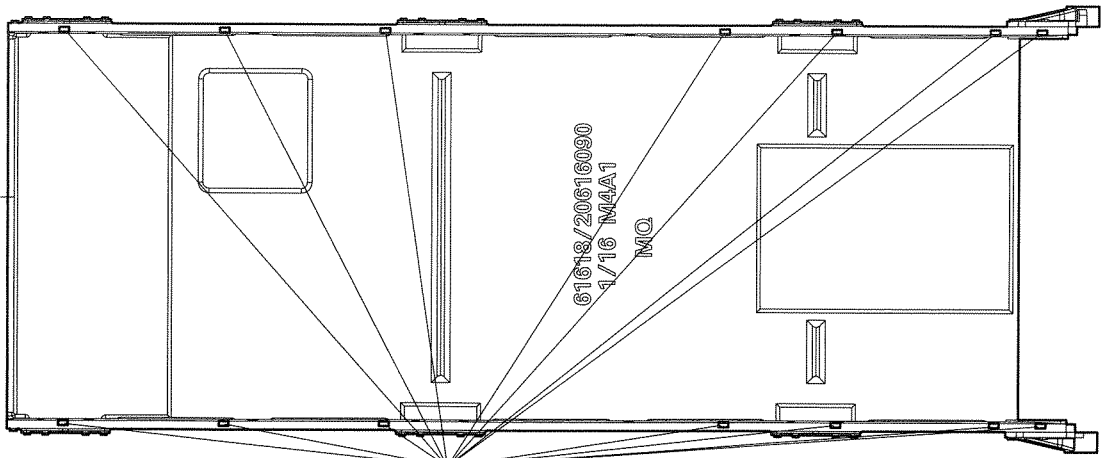


《铜线》
Cable $\varnothing 1.5 \times 300\text{mm}$

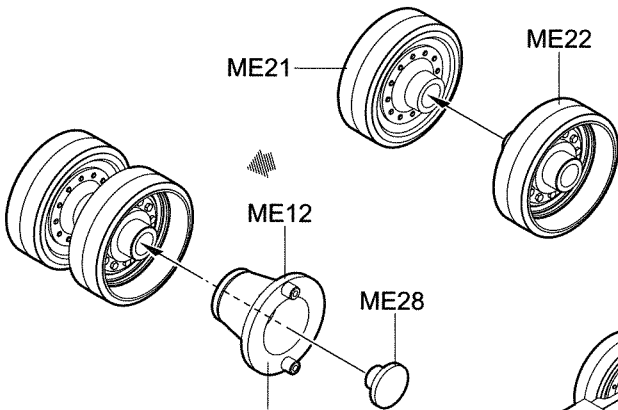


1

《车底》
Lower hull



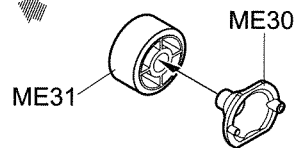
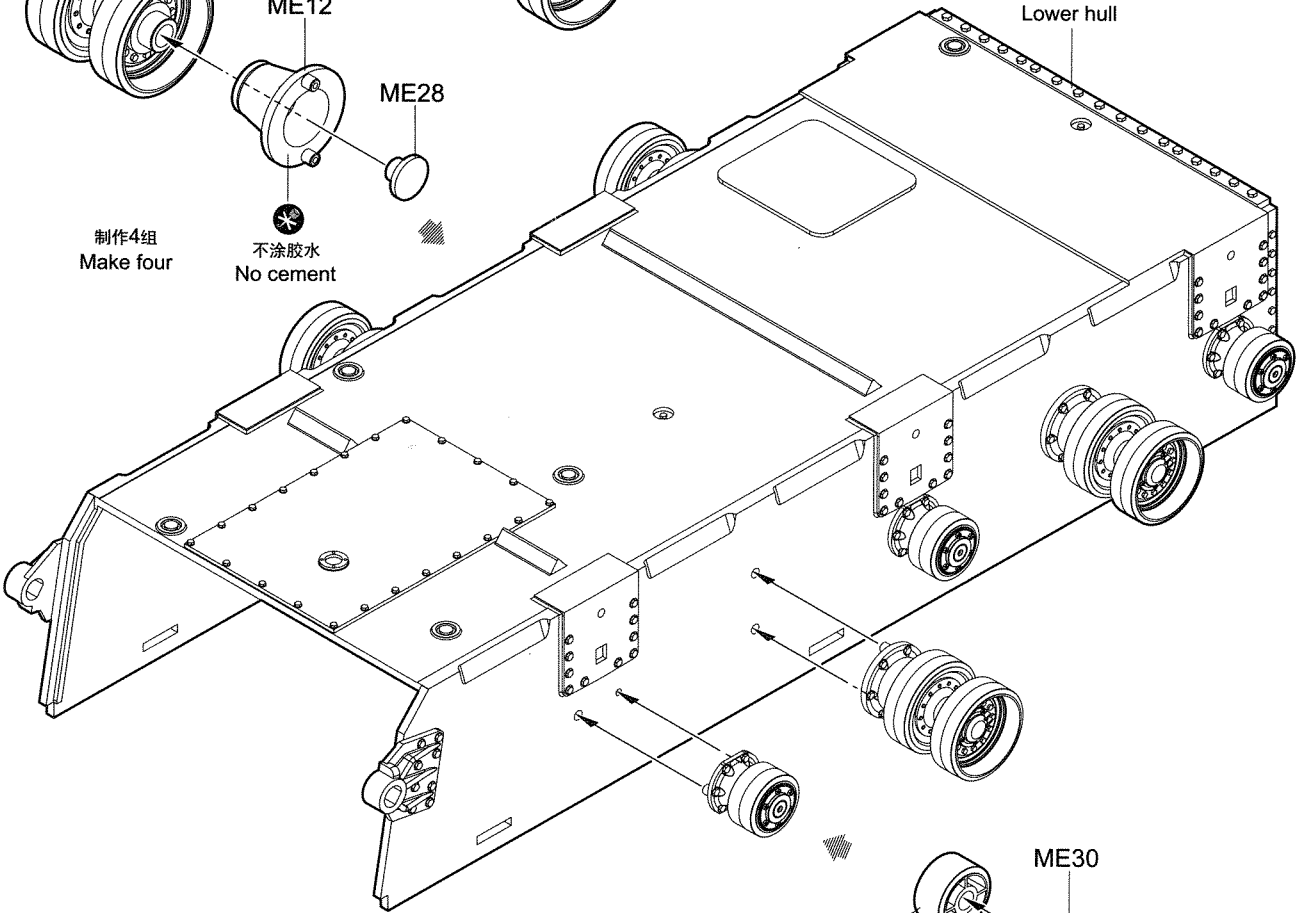
切除
Cut / Remove



制作4组
Make four

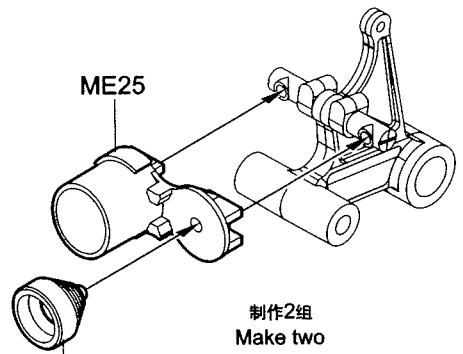
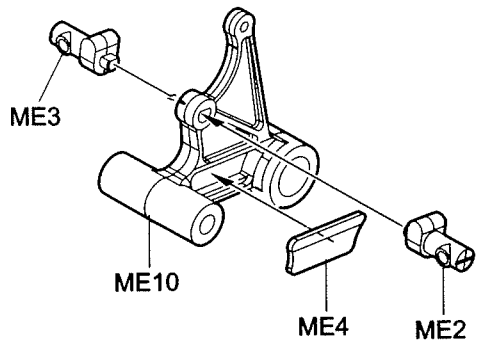
不涂胶水
No cement

《车底》
Lower hull

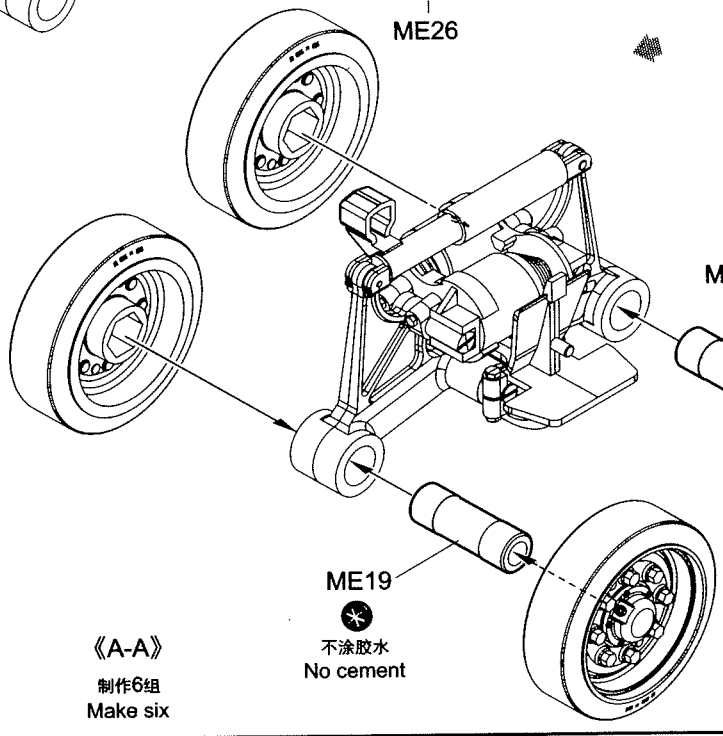
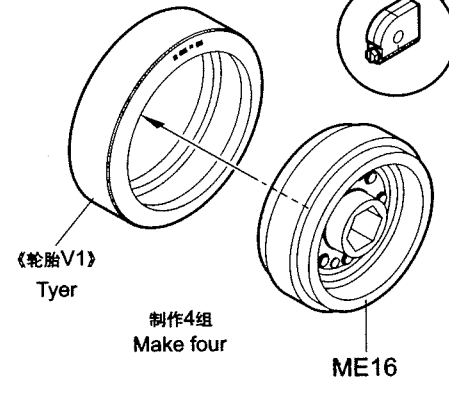
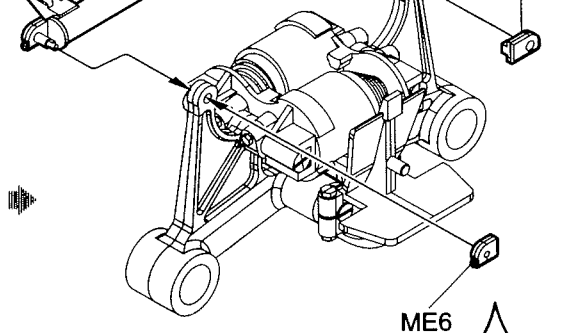
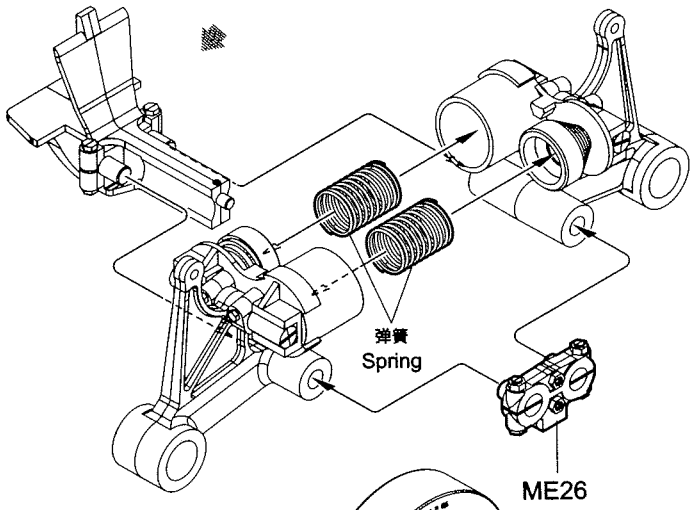
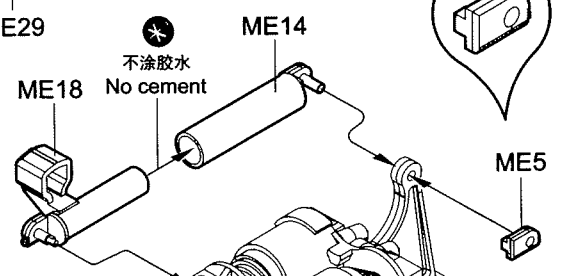
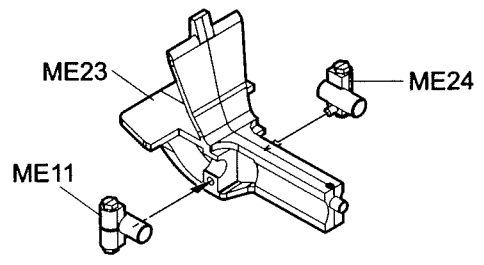


制作6组
Make six

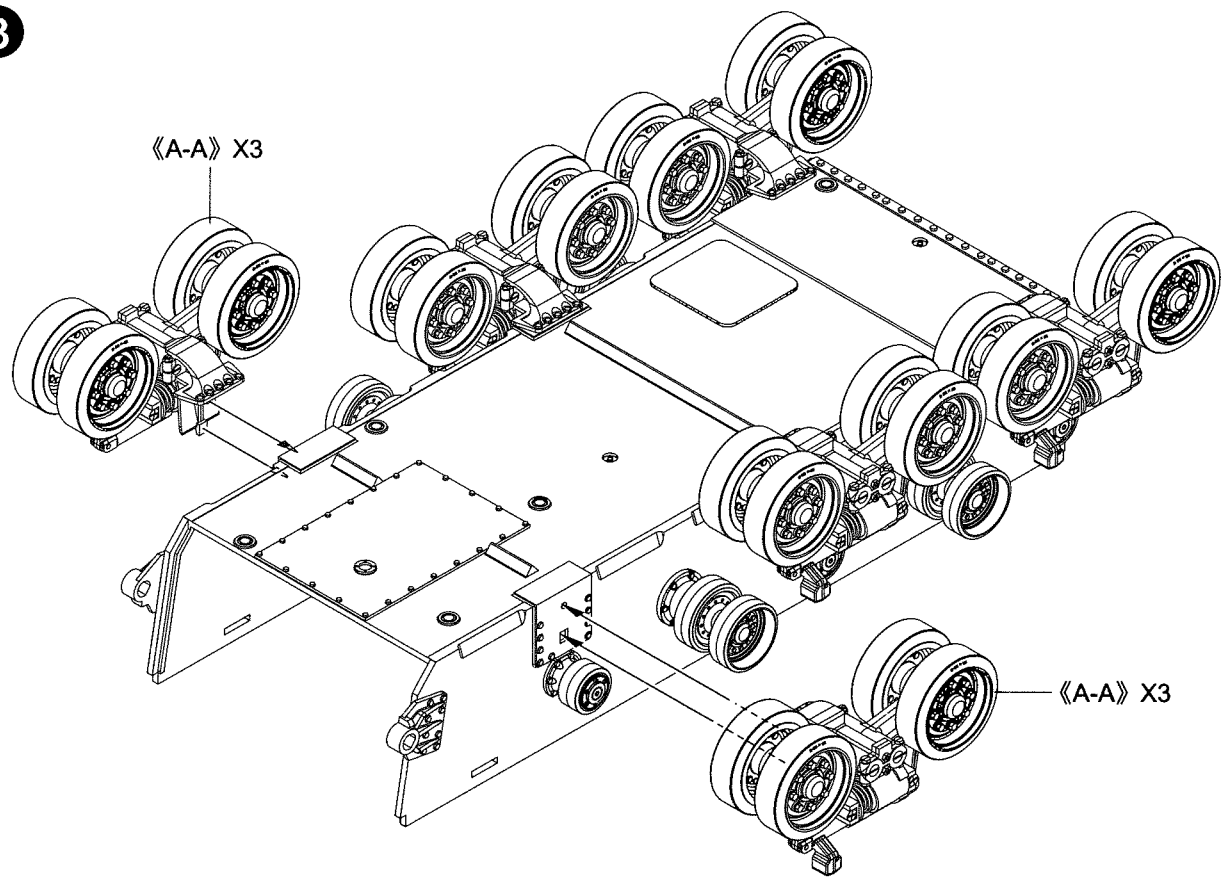
2



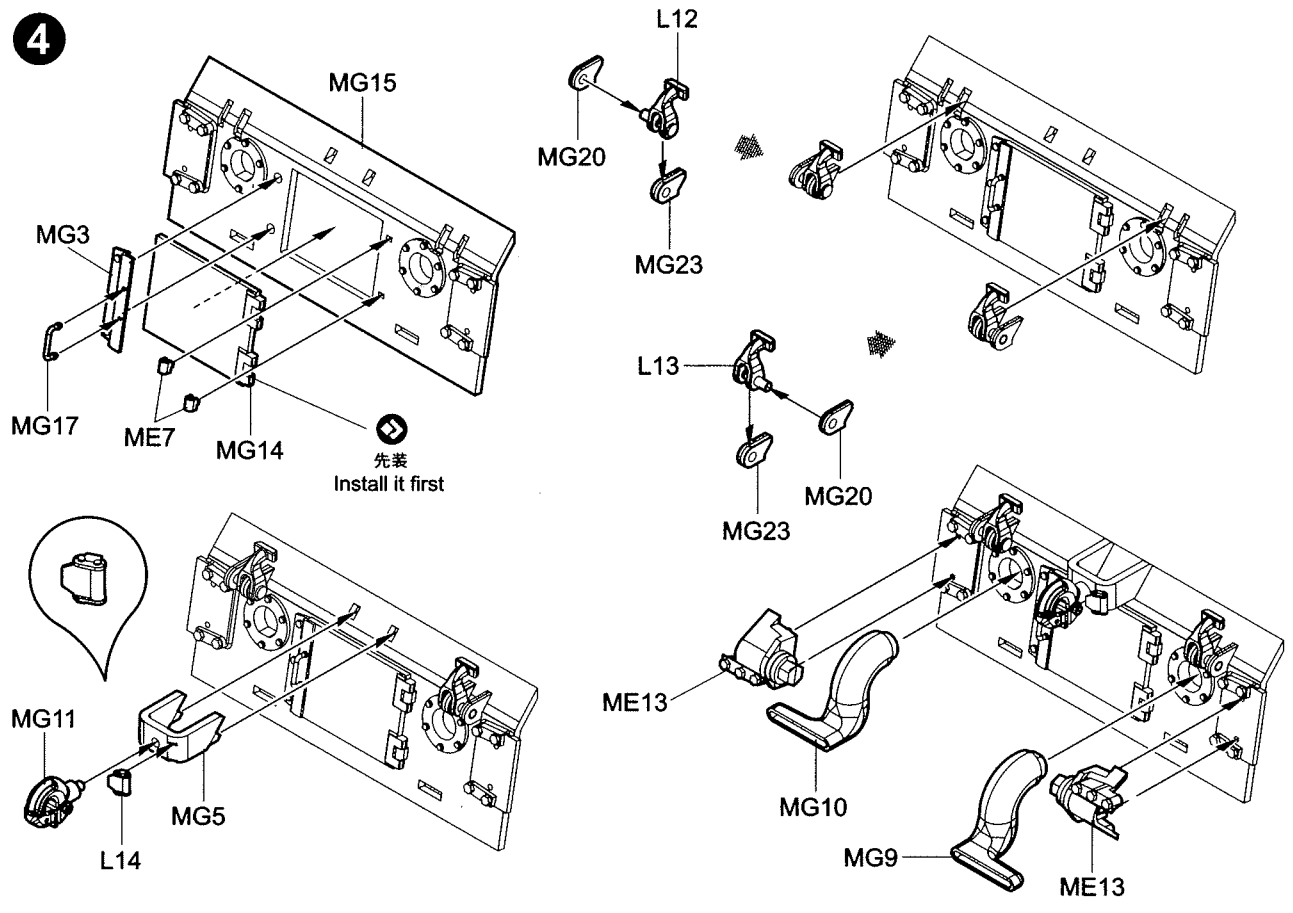
制作2组
Make two



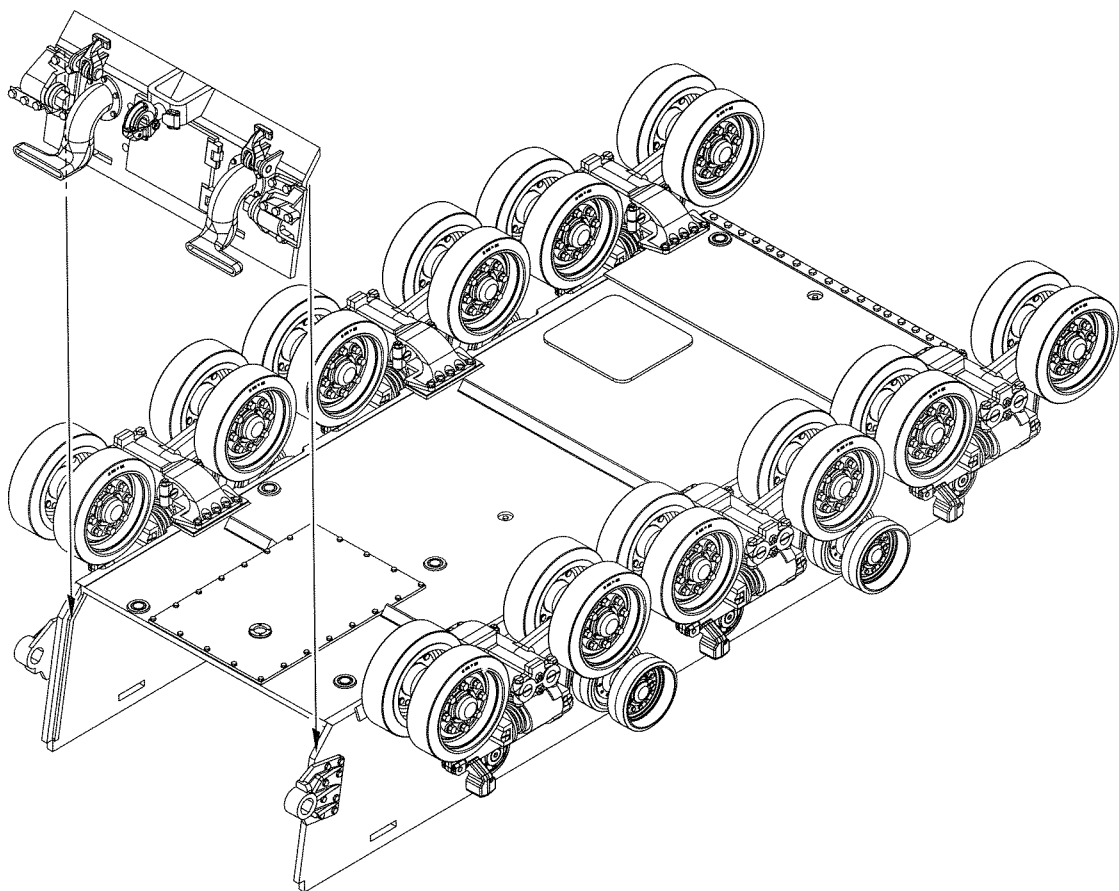
3



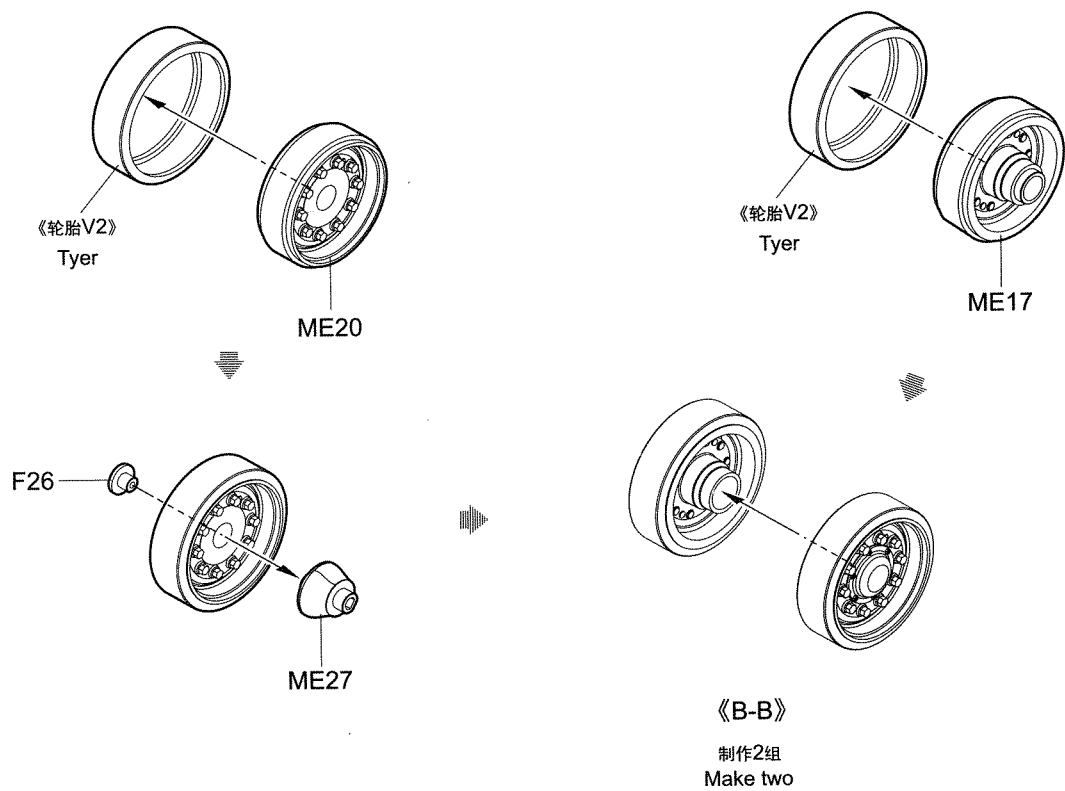
4



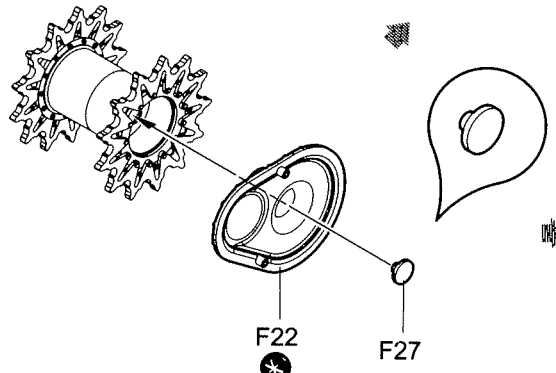
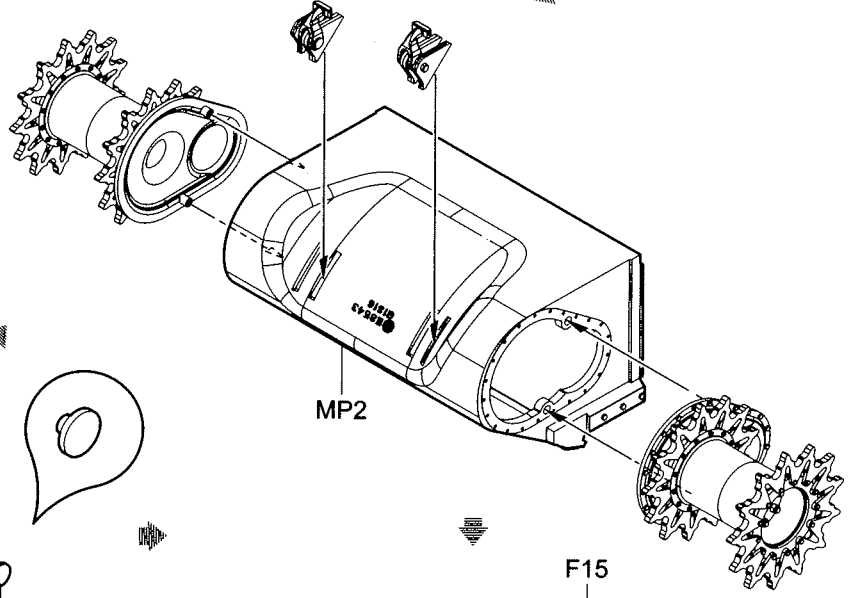
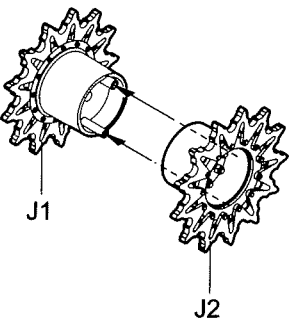
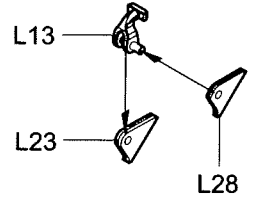
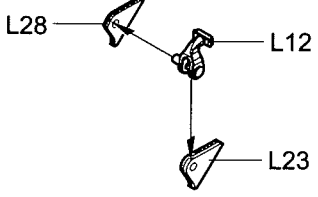
5



6

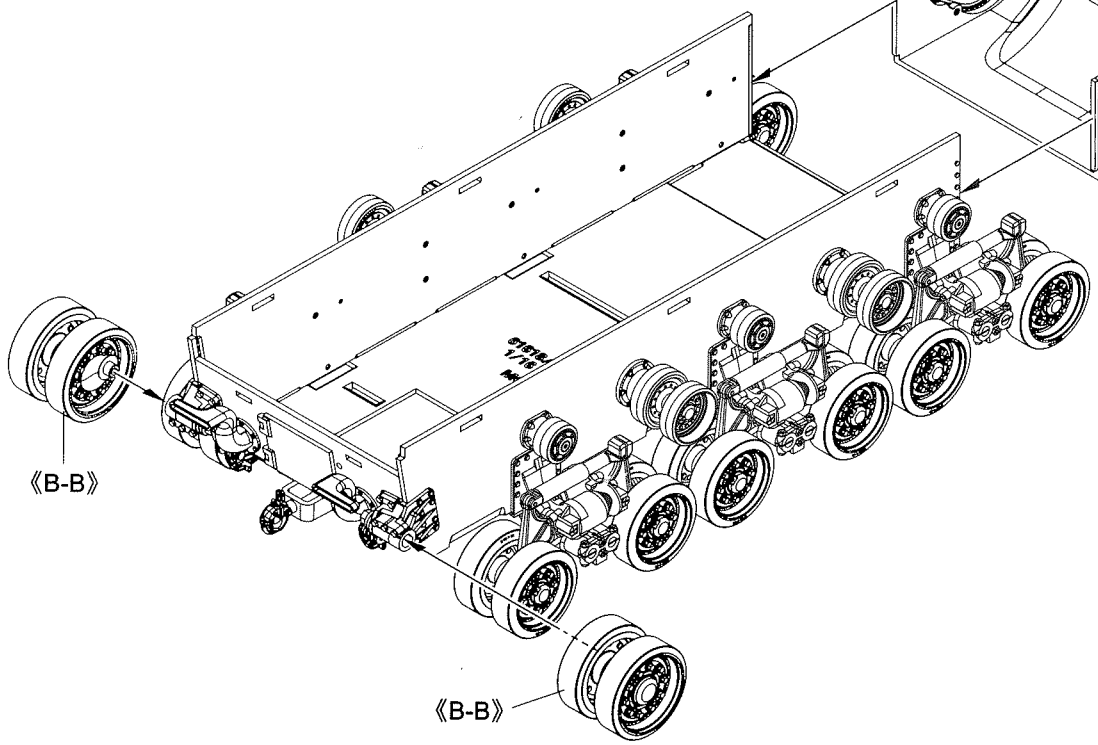
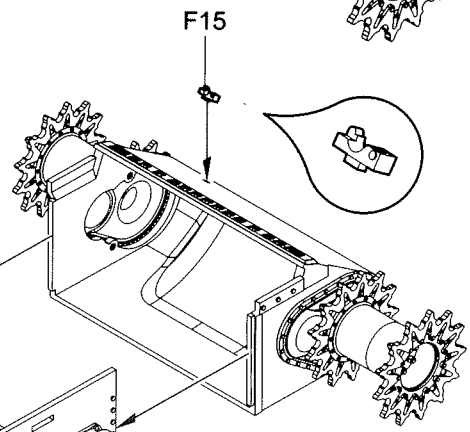


7

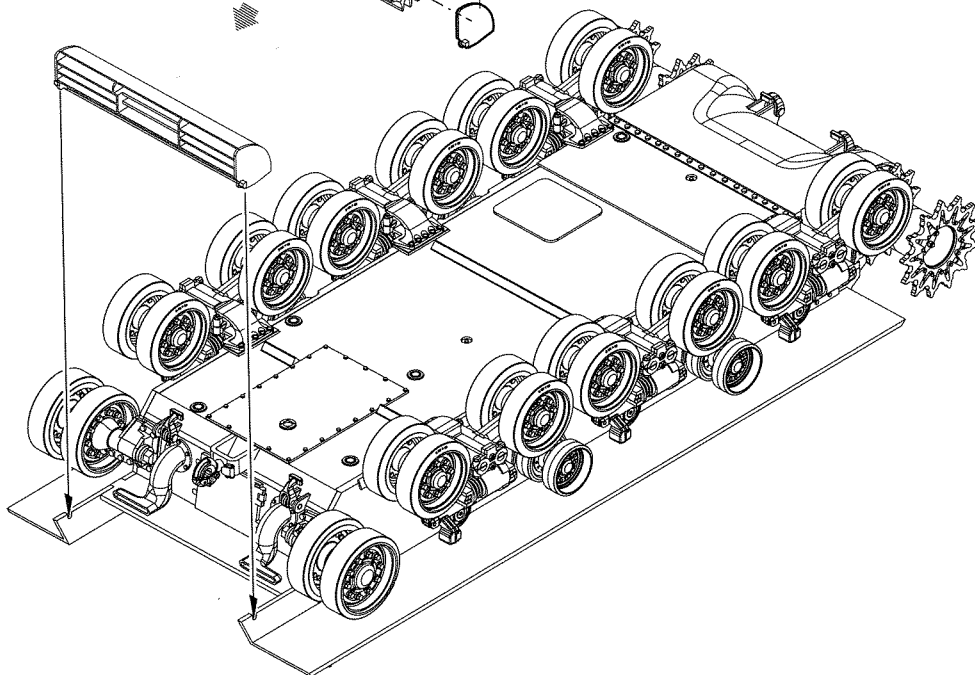
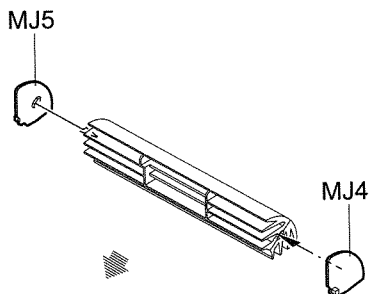
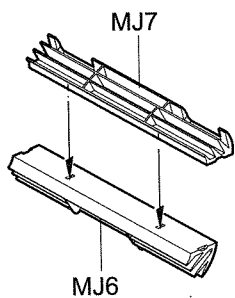
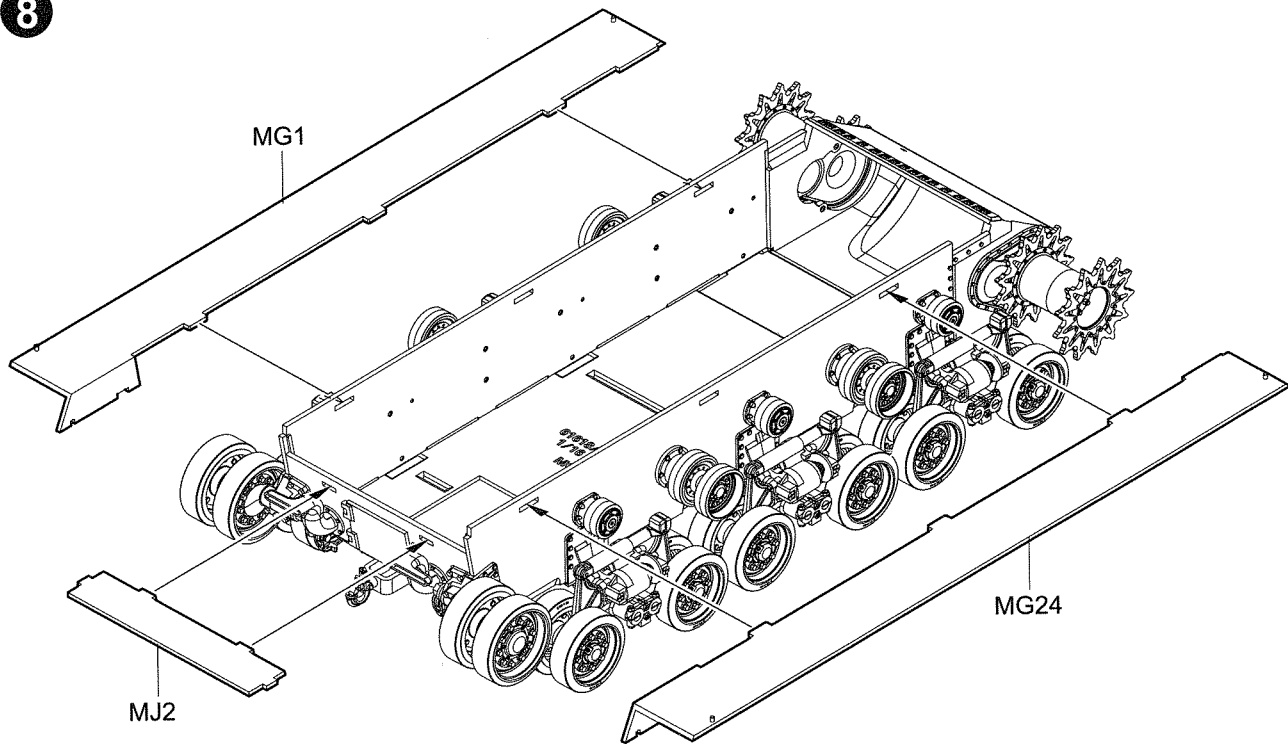


制作2组
Make two

不涂胶水
No cement



8



9

MF5

MF6

制作79组

Make seventy-nine

MF4

MF3

MF4x79

MF3x79

制作79组

Make seventy-nine

MF2

MF2x158

制作2组

Make two

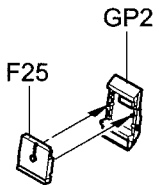
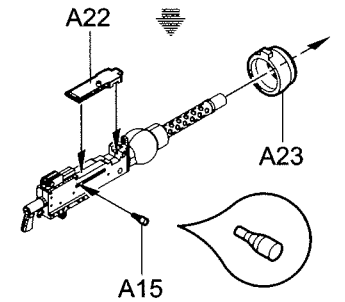
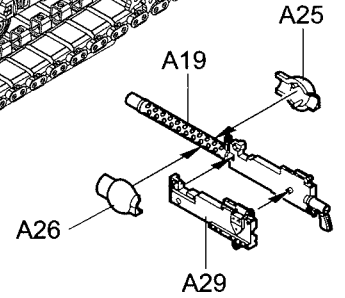
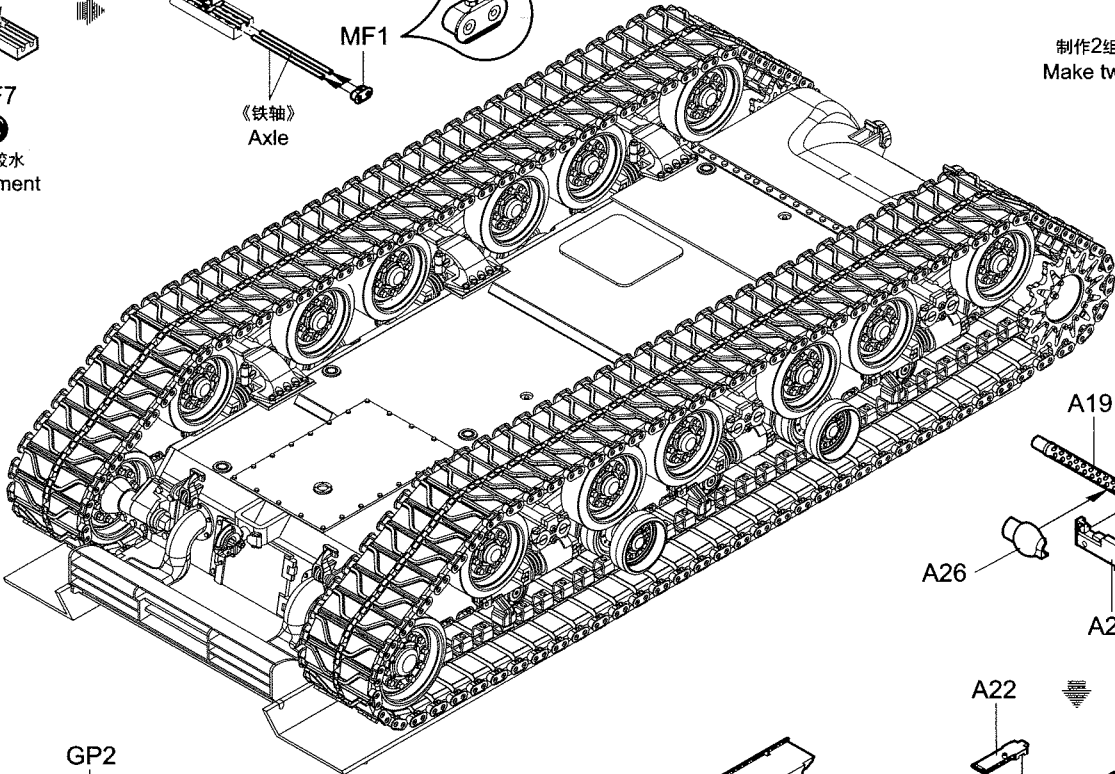
MF1

MF1

《铁轴》
Axle

MF7

不涂胶水
No cement



制作2组
Make two

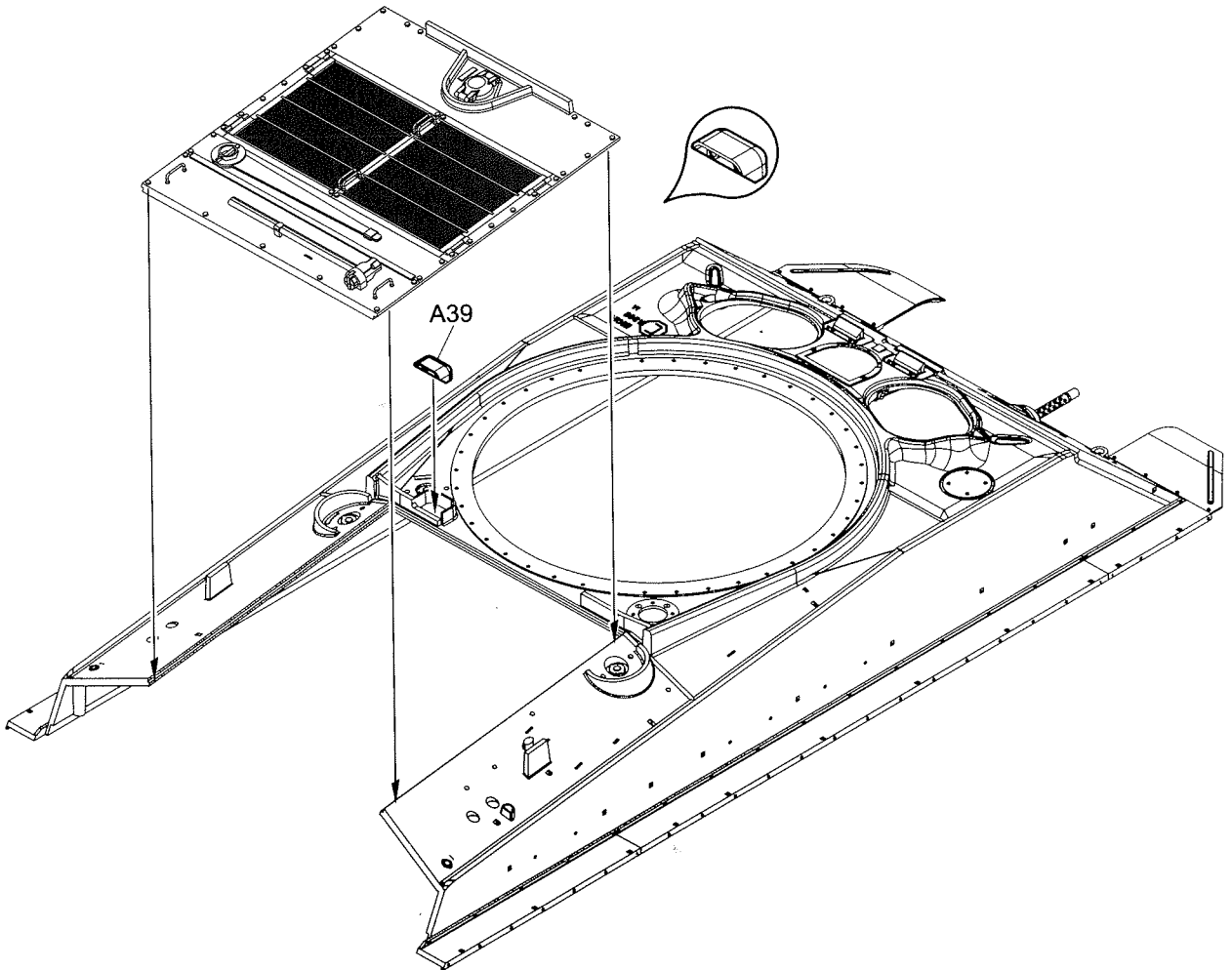
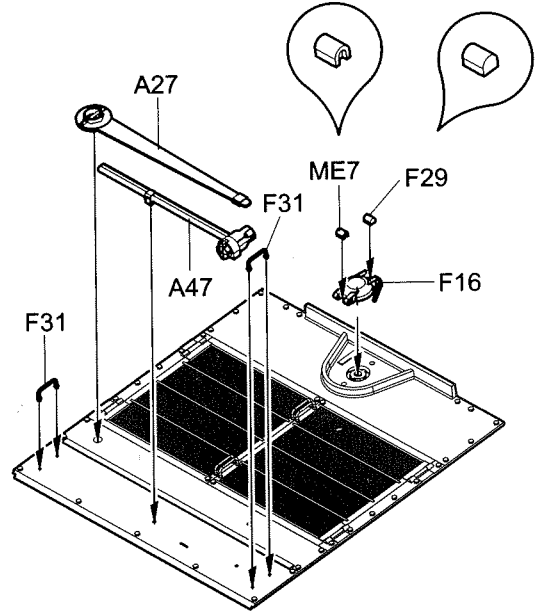
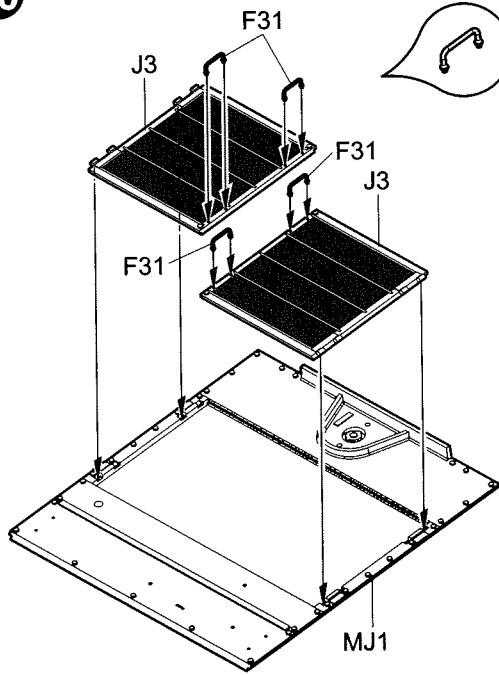
MG19

MG22

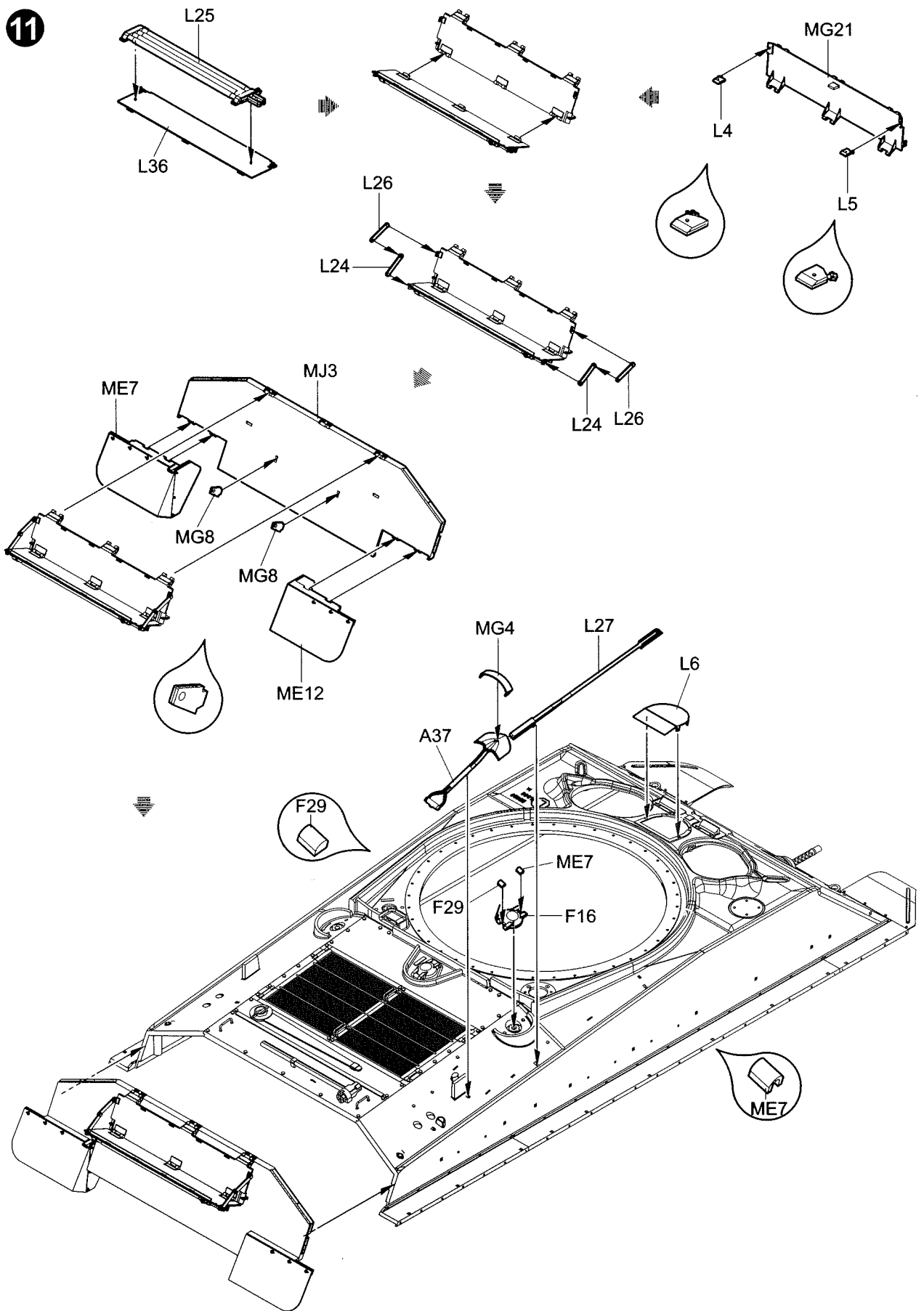
《车面》
Upper hull

A16

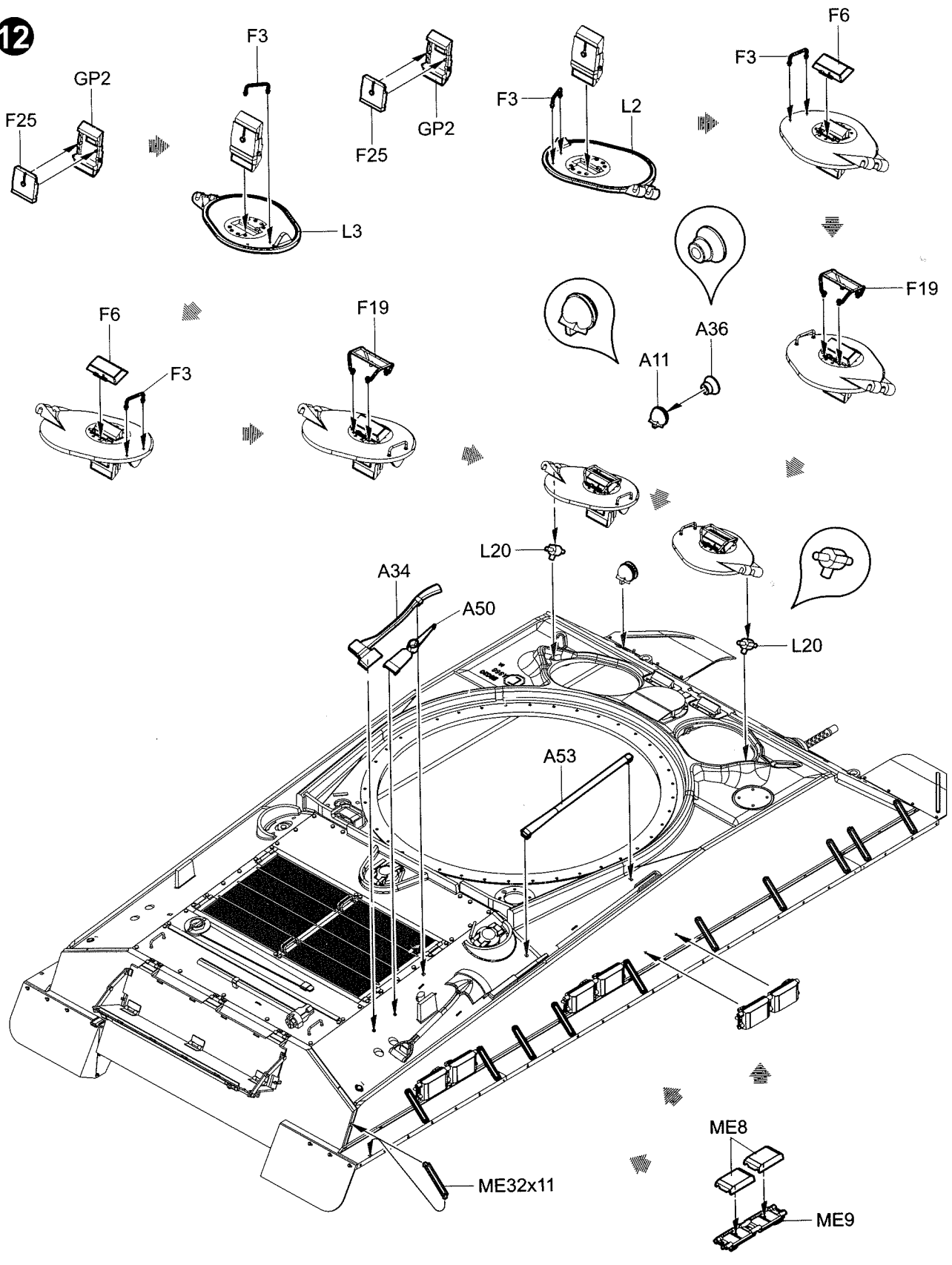
10



11

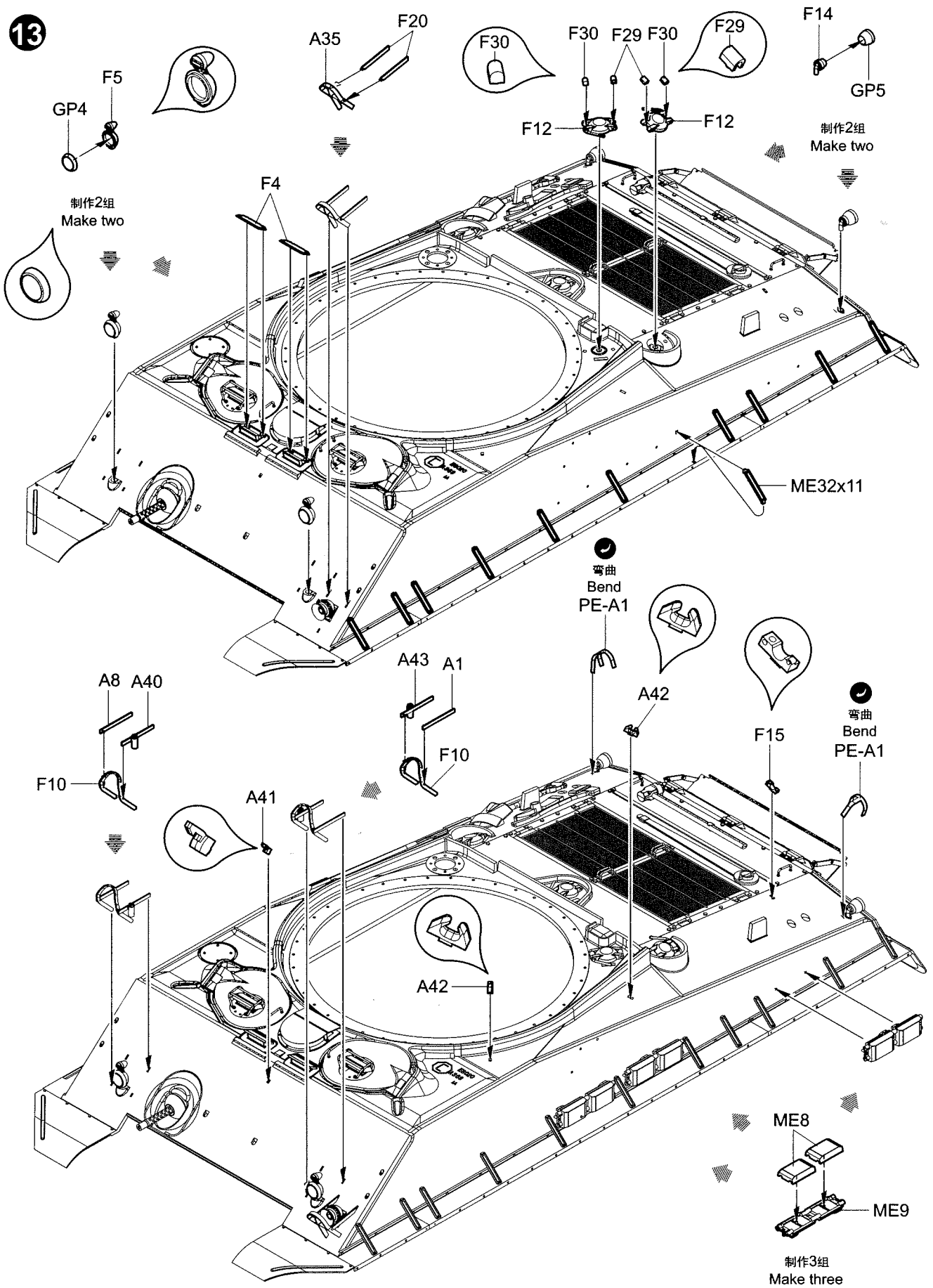


12

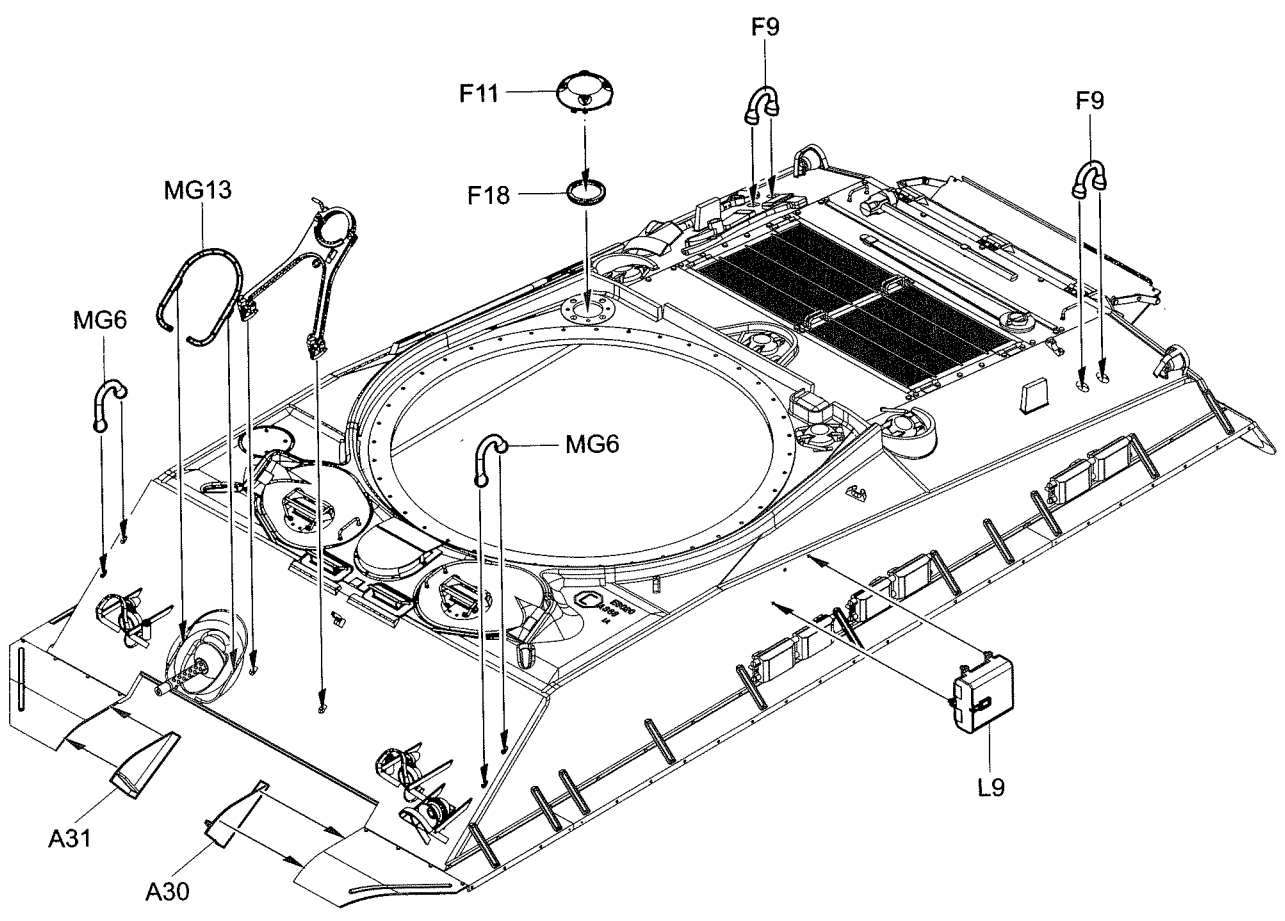
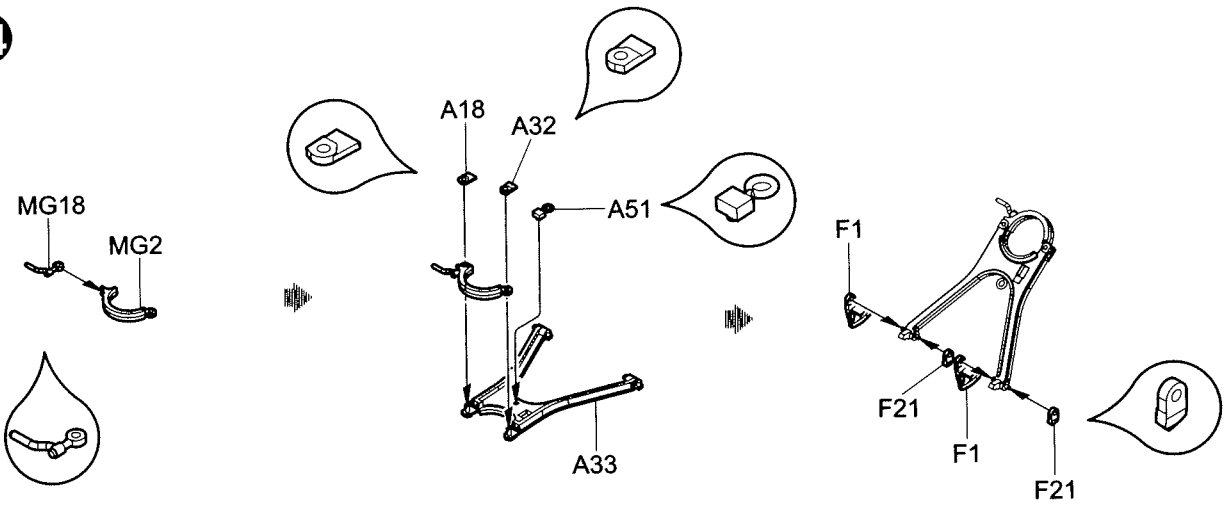


制作3组
Make three

13



14



15

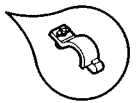


F24

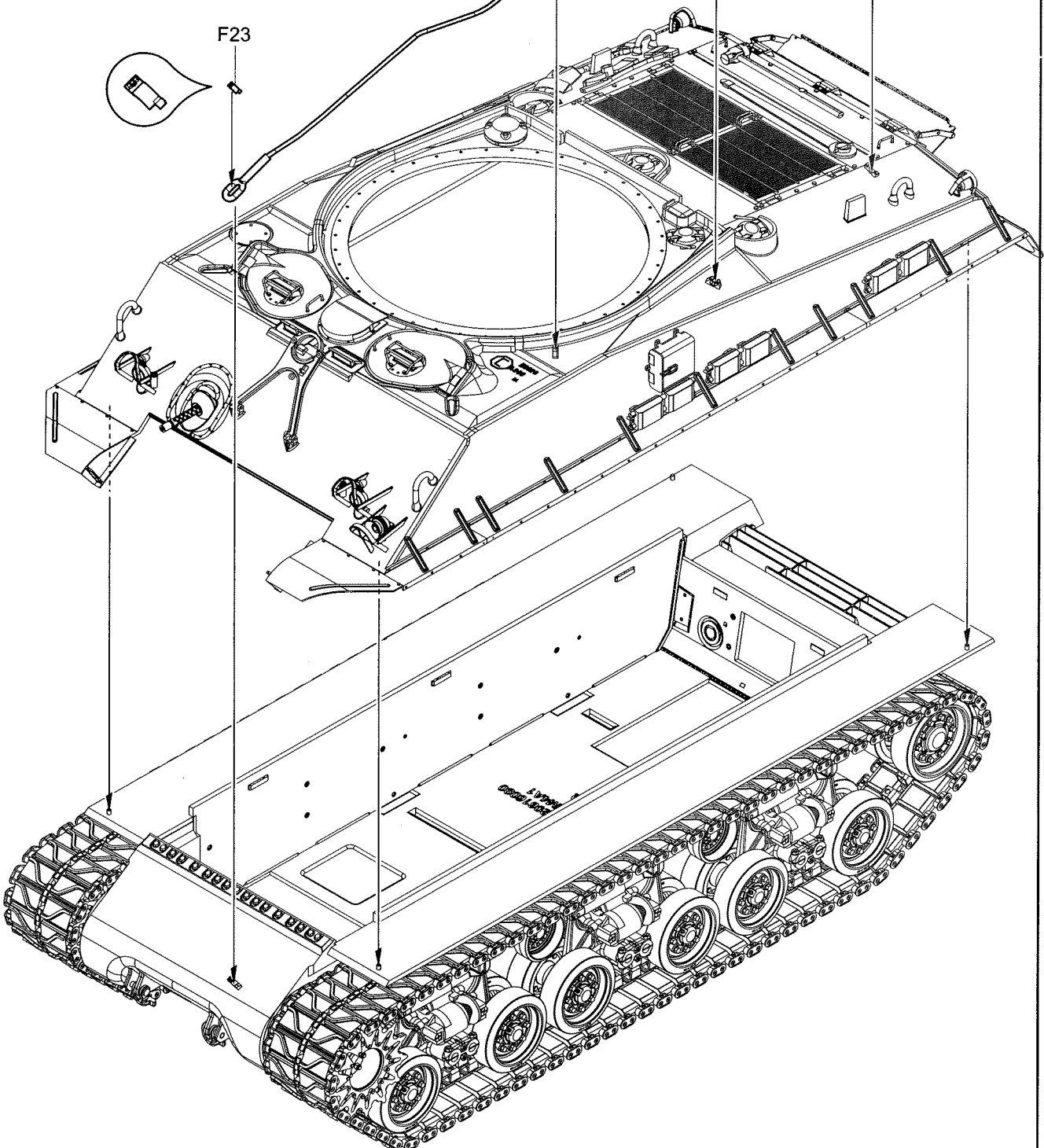
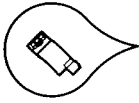
《钢缆》
Cable $\varnothing 1.5 \times 300 \text{mm}$

F24

F23

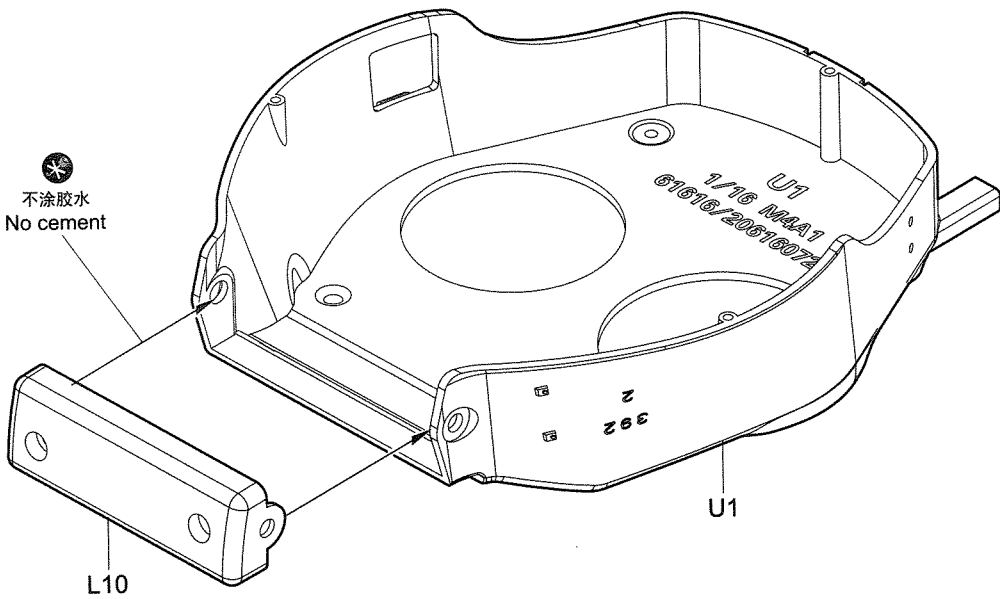


F23

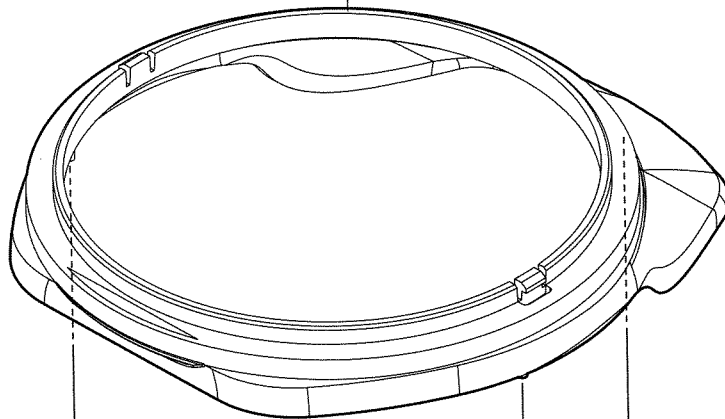


16

不涂胶水
No cement



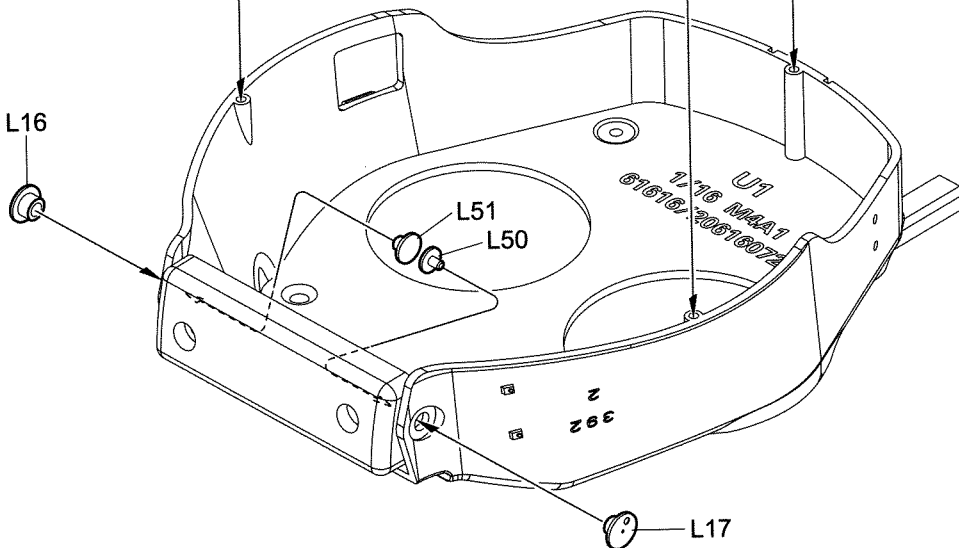
L1

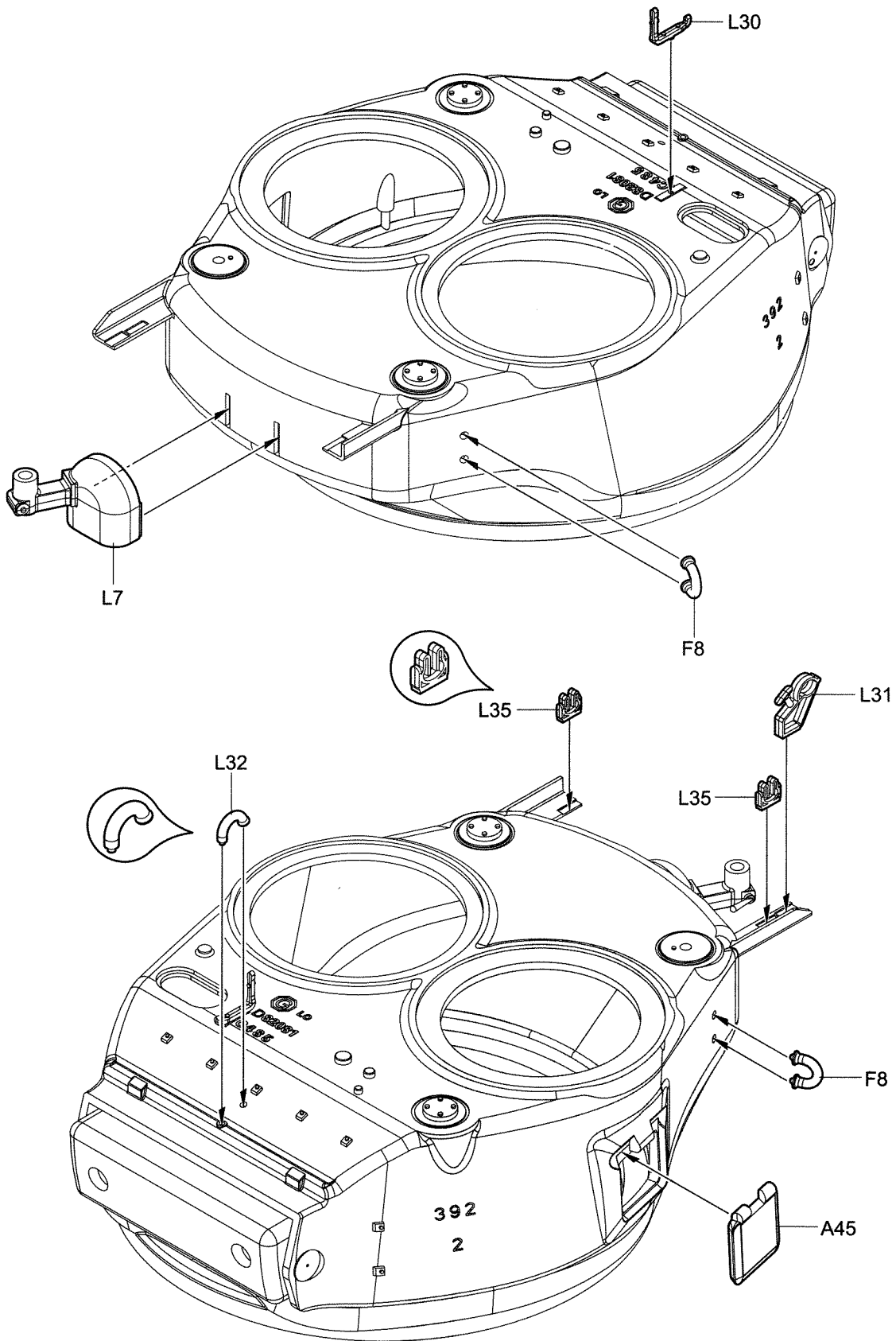


L16

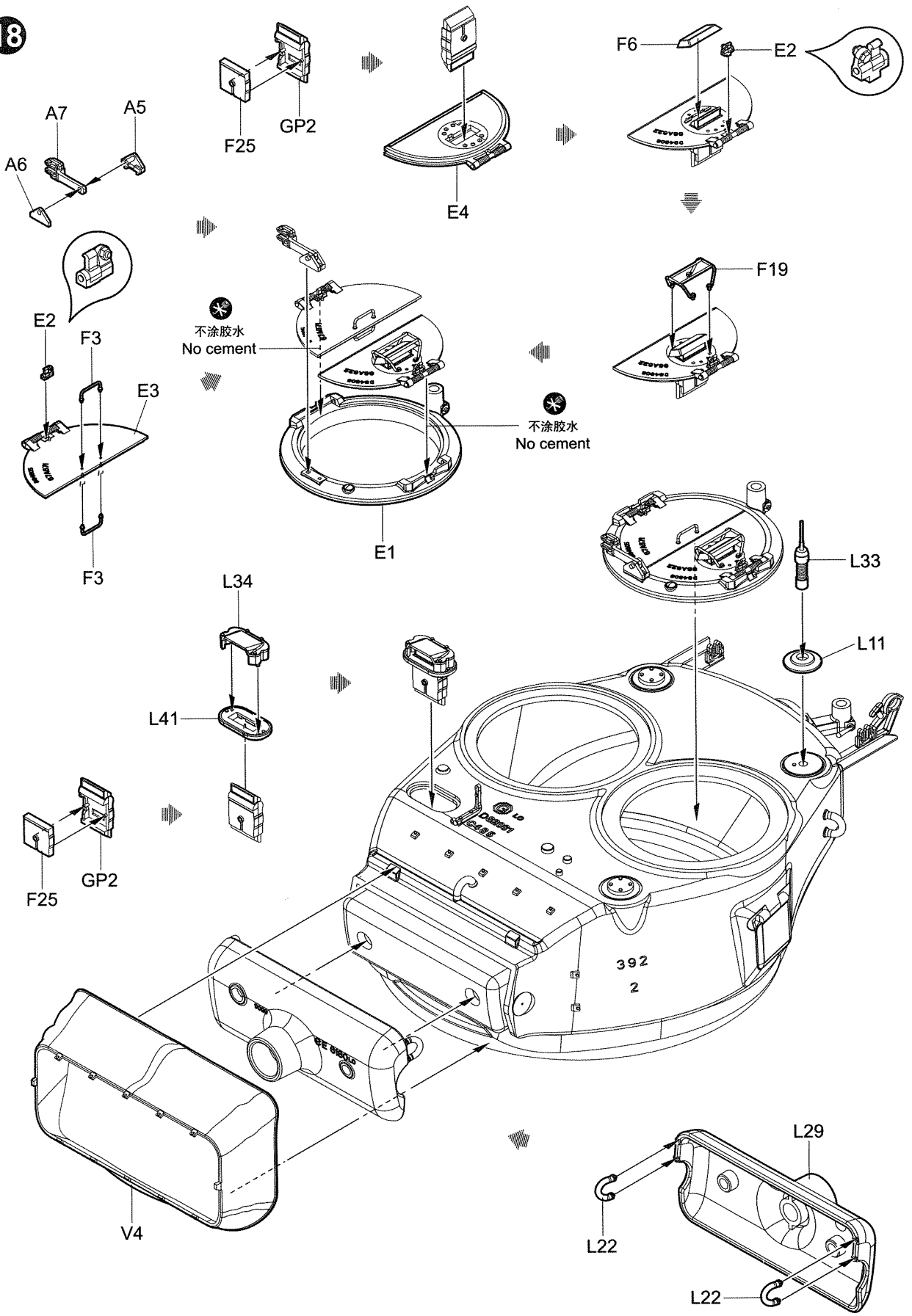
L51
L50

L17





18



19

