



1/48
AR48001

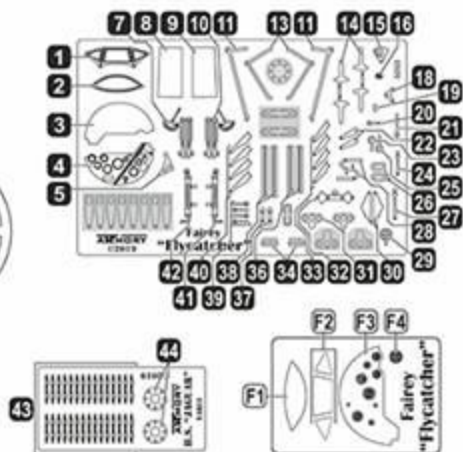
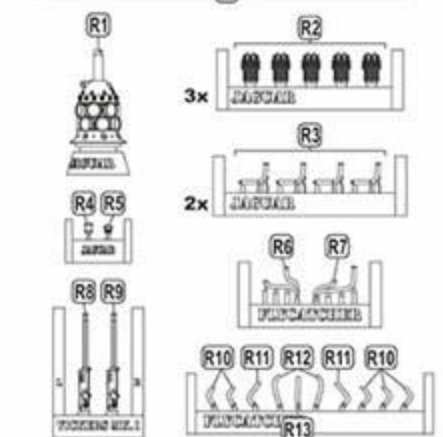
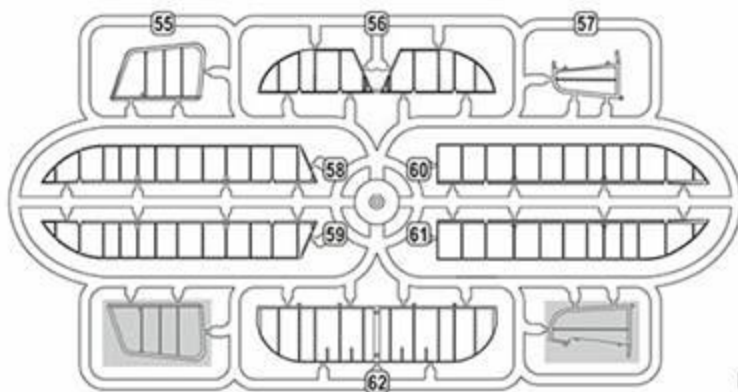
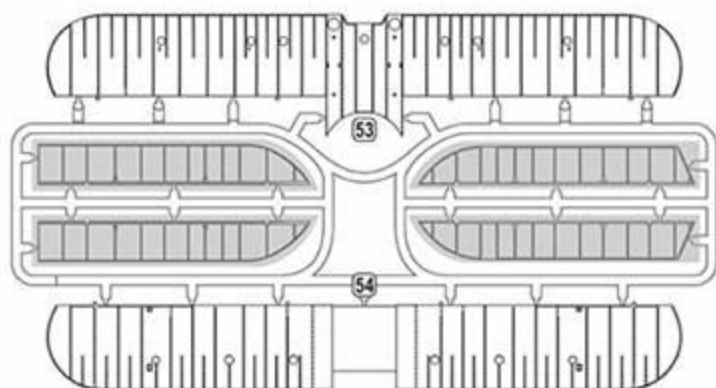
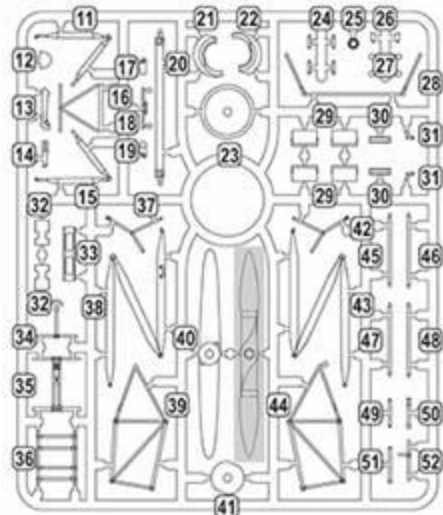
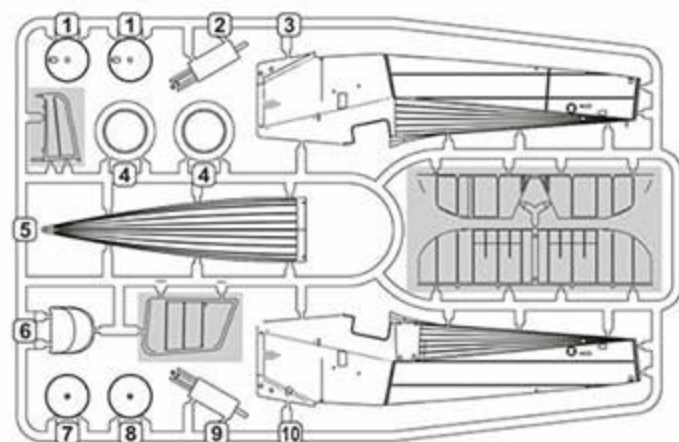
Fairey "Flycatcher"

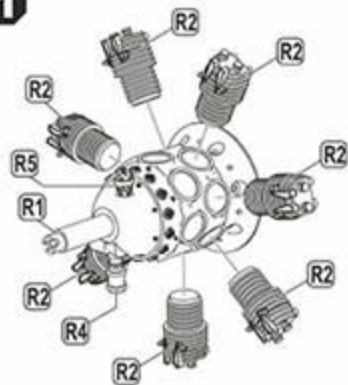
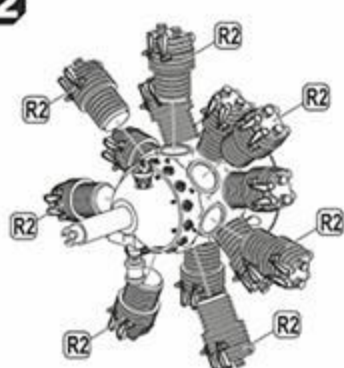
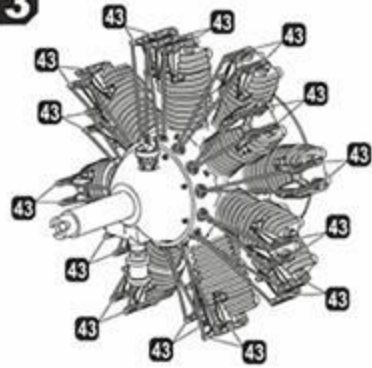
British mid-war FAA fighter
early version

plastic injected kit w/ PE & resin parts
Made in Ukraine. ©Armory, 2019

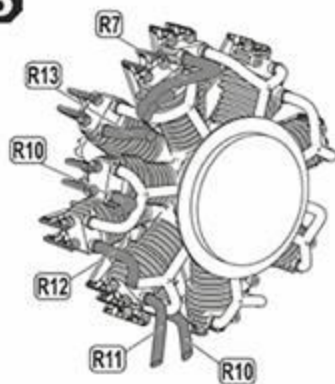
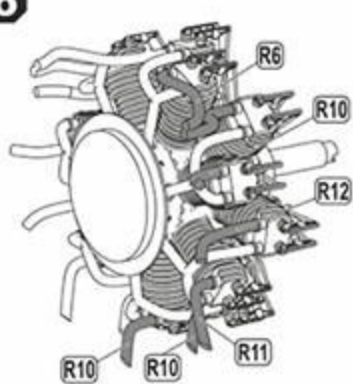
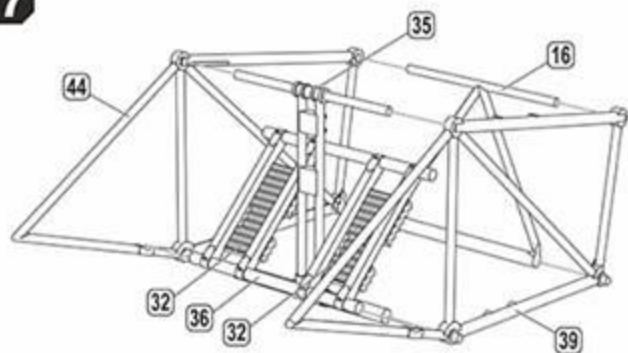
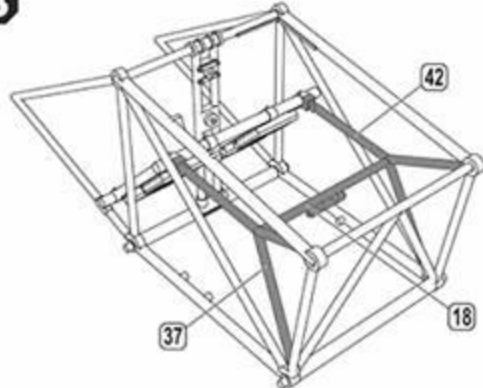
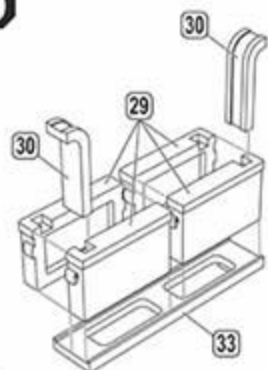
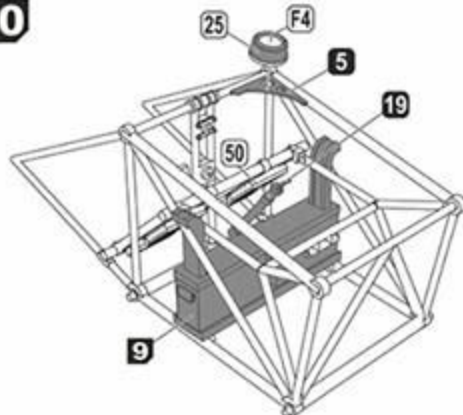
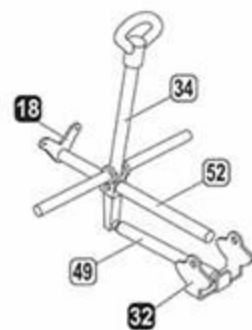


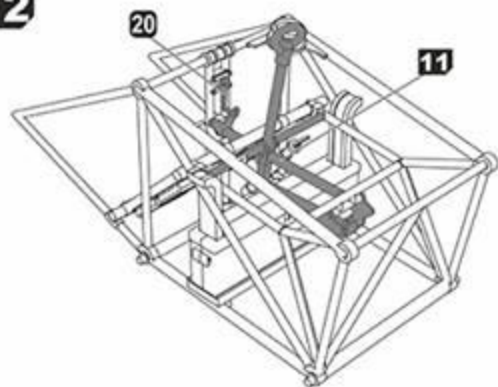
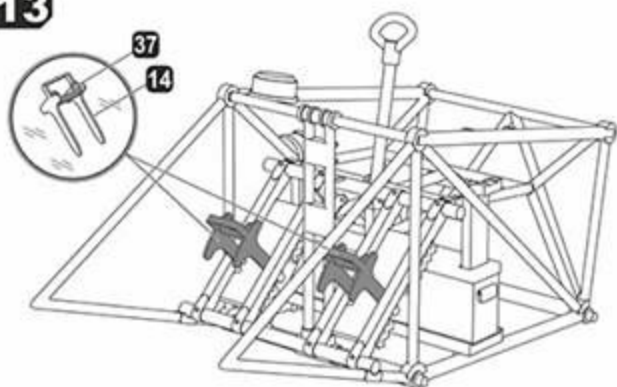
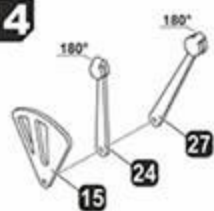
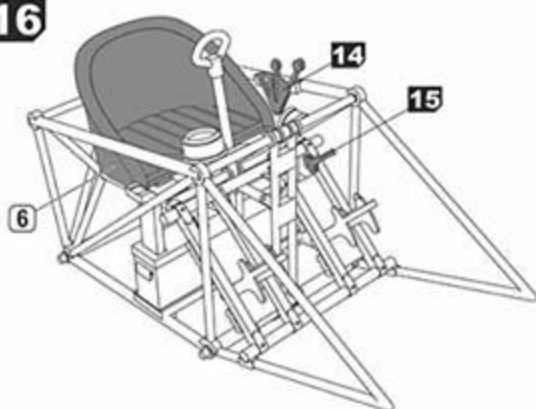
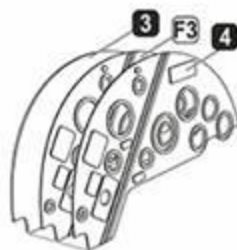
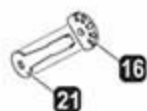
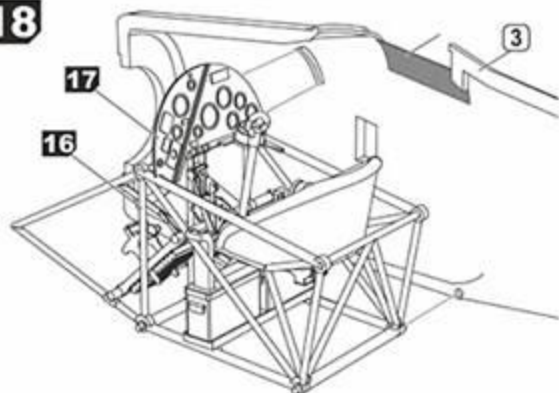
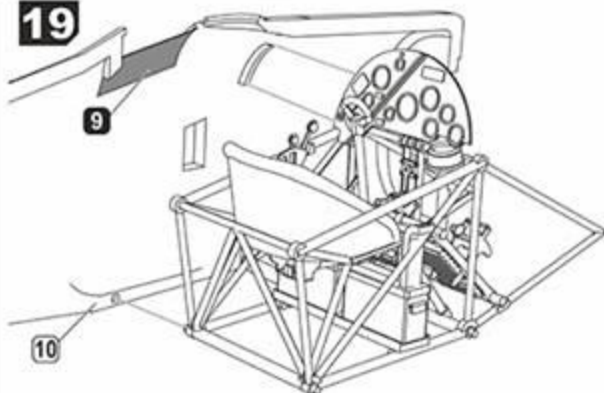
Our special thanks go to **Mr. Ilya Sobolev** for subject research, reference consultation and technical support during kit's development and pre-production screening



1**2****3**

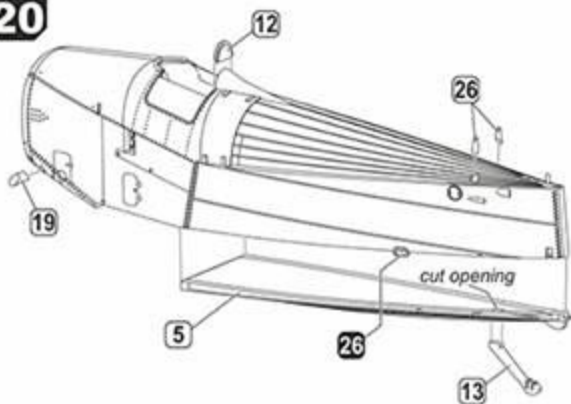
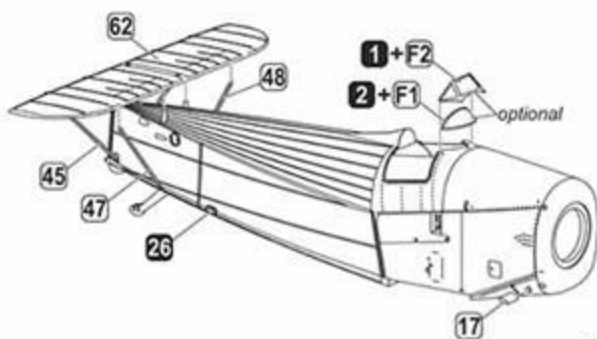
valve pushers to be made of wire: $\phi=0.2\text{mm}$, $L=7\text{mm}$

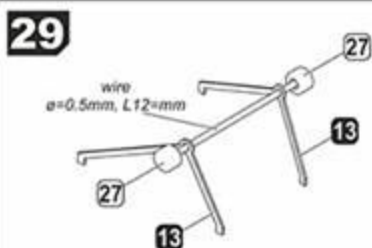
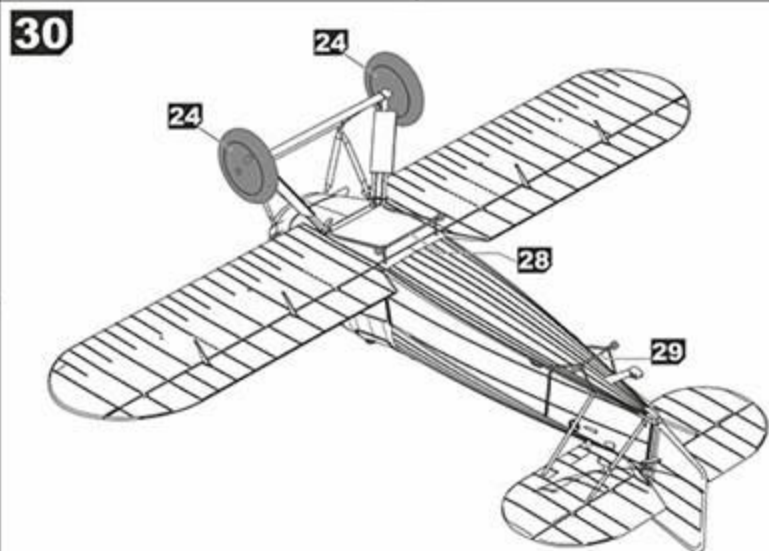
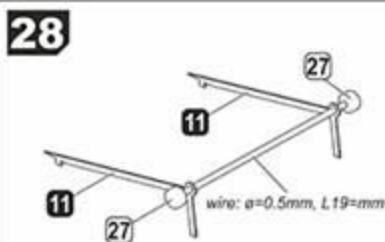
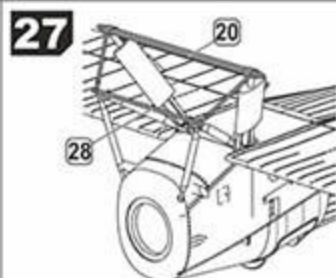
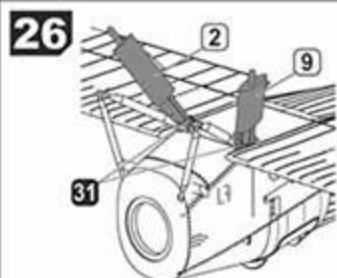
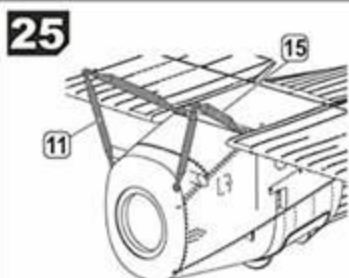
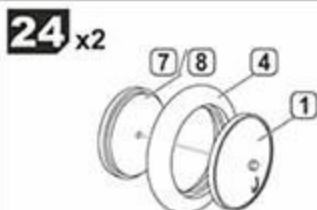
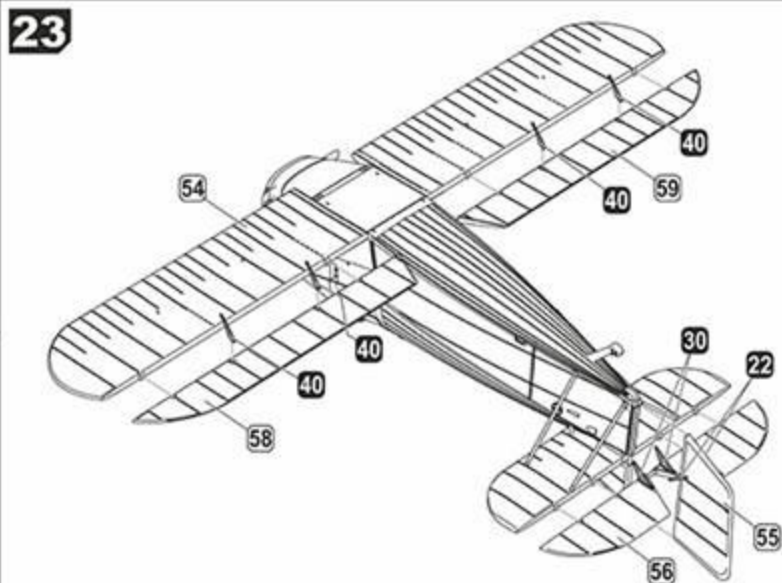
4**5****6****7****8****9****10****11****2**

12**13****14****16****17****15****18****19**

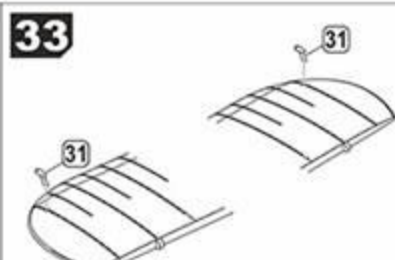
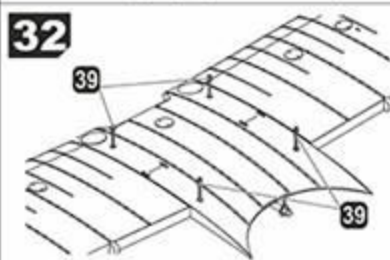
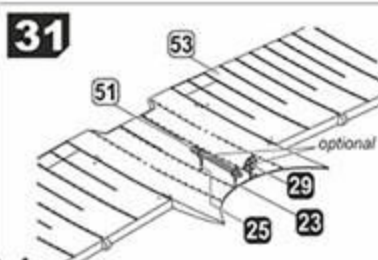
to make part **8** sliding, use parts **36** and **38** as side guide rails.

to make part **9** sliding, use parts **36** and **38** as side guide rails.

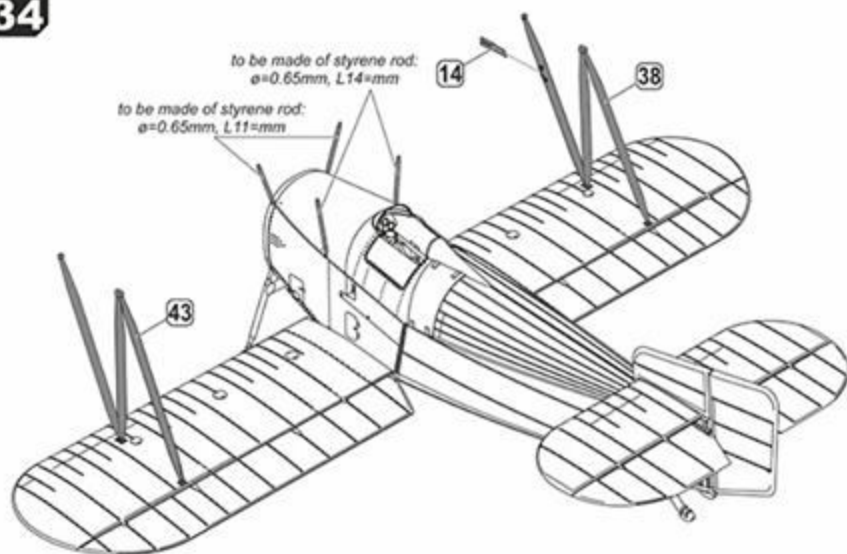
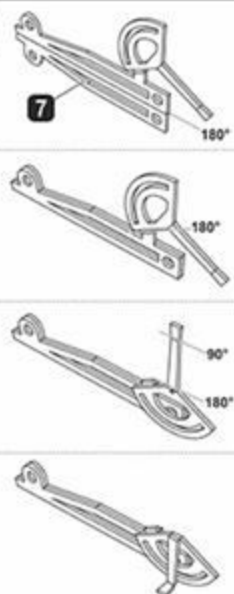
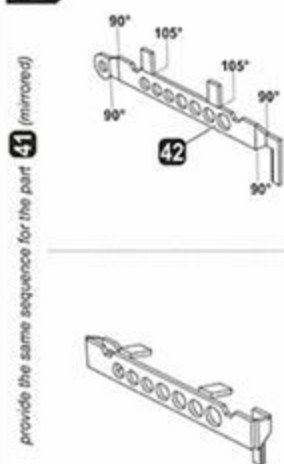
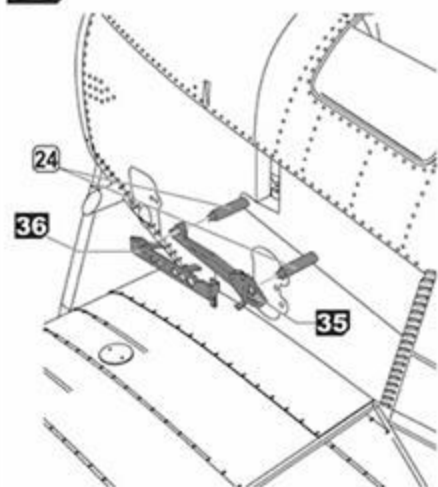
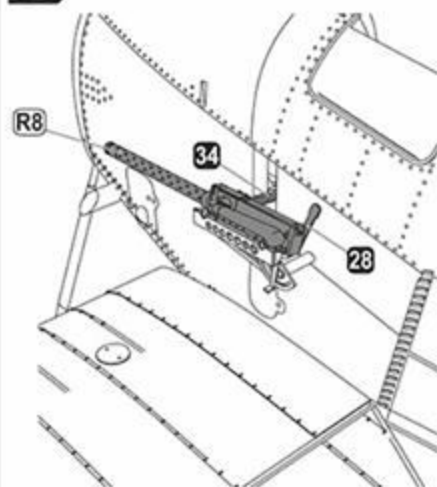
20**21**



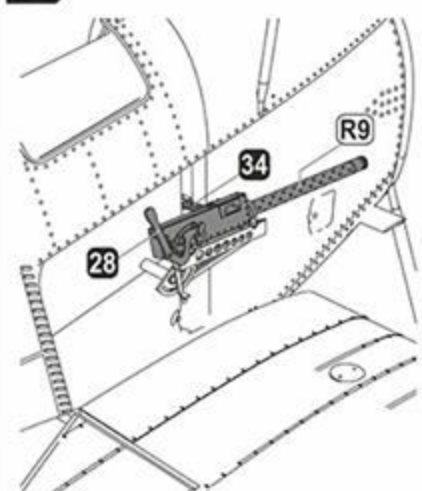
assemblies **28** & **29** to be used only for catapult version



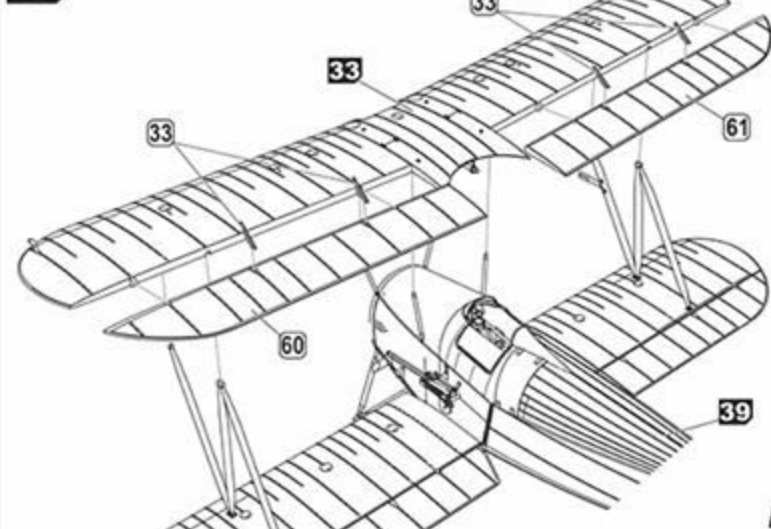
part **39** to be used only for catapult version

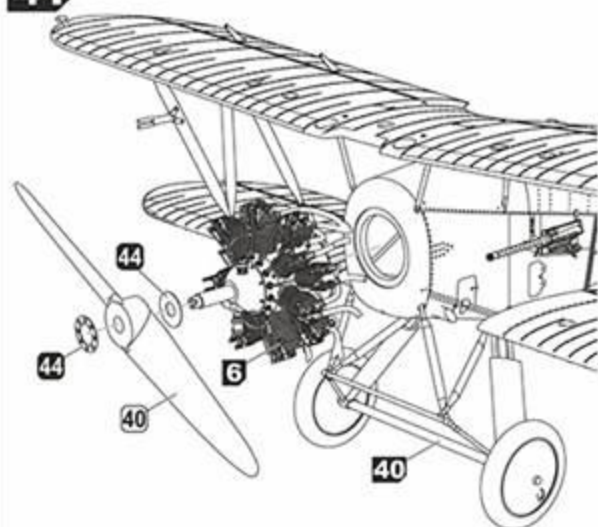
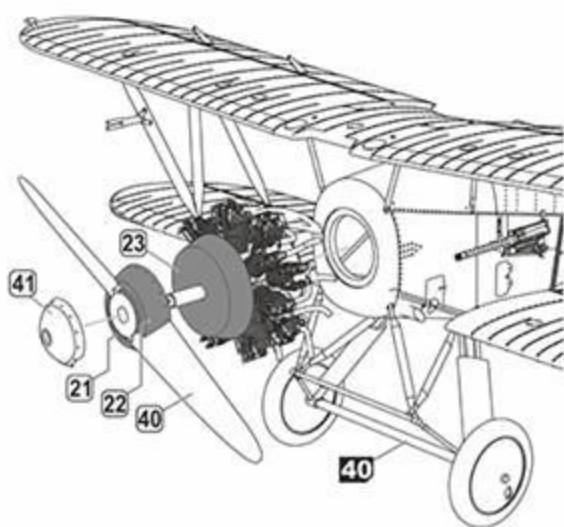
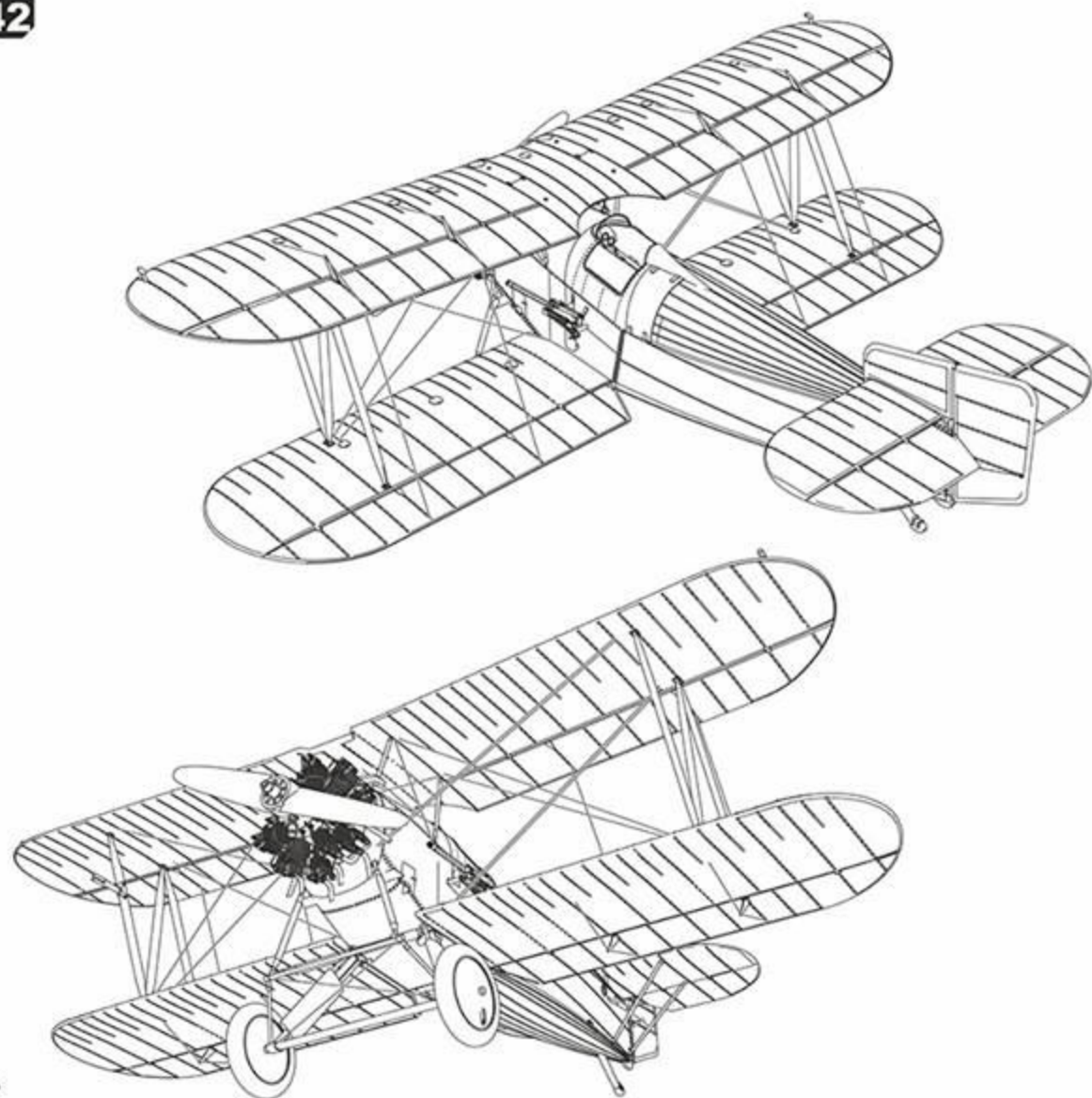
34**35****36****37****38**

part **R8** can be replaced by
 MiniWorld A48 62 - 1/72 Vickers Mk.II machinegun

39

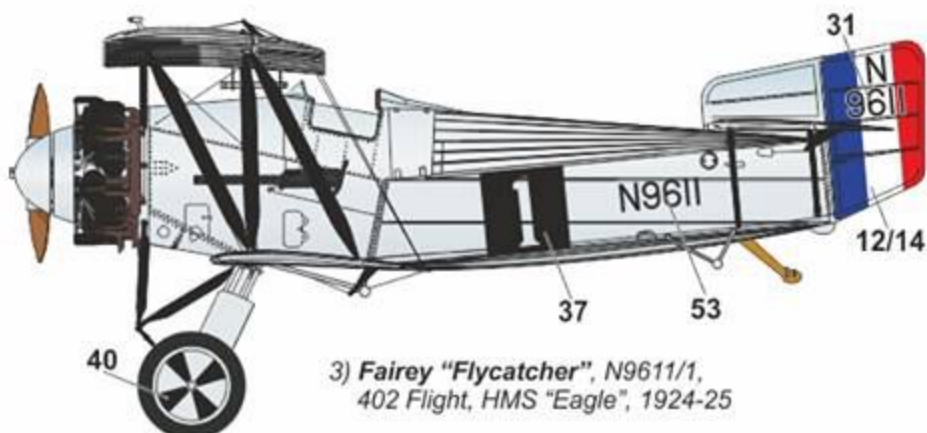
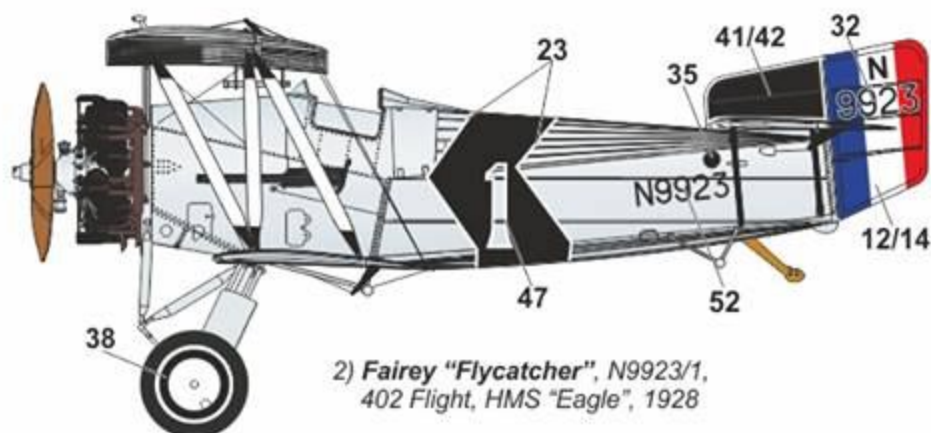
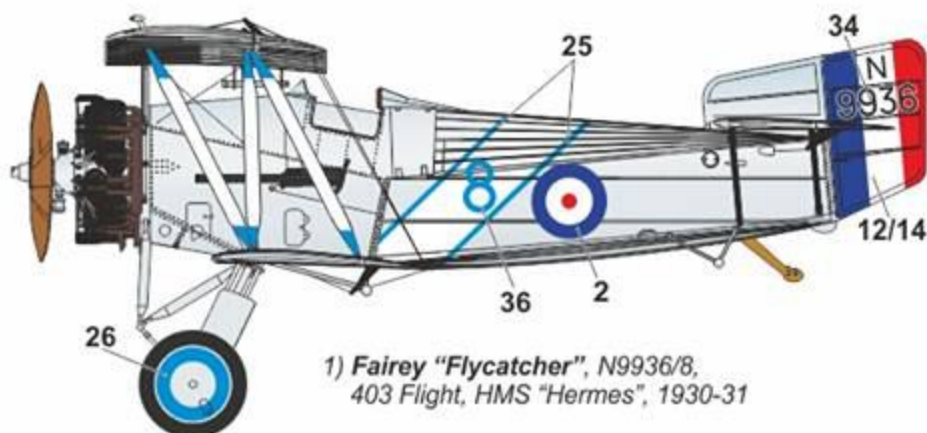
part **R9** can be replaced by
 MiniWorld A48 62 - 1/72 Vickers Mk.II machinegun

40

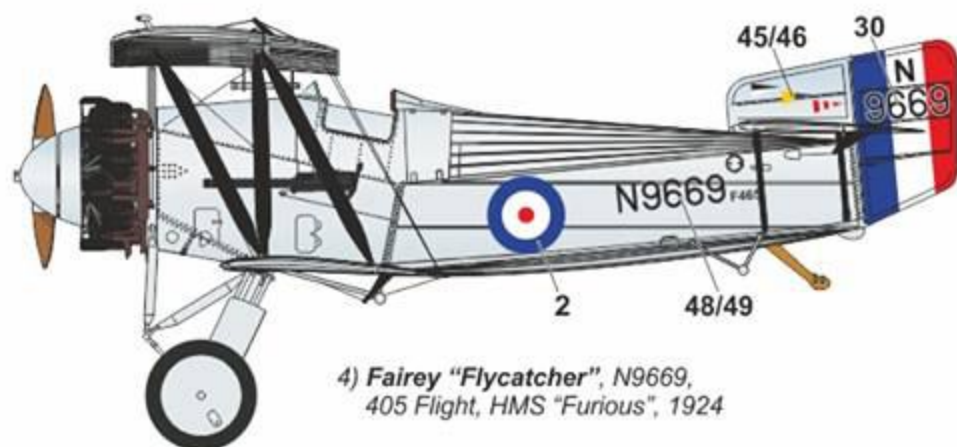
41*optional***42**

Fairey "Flycatcher" early production

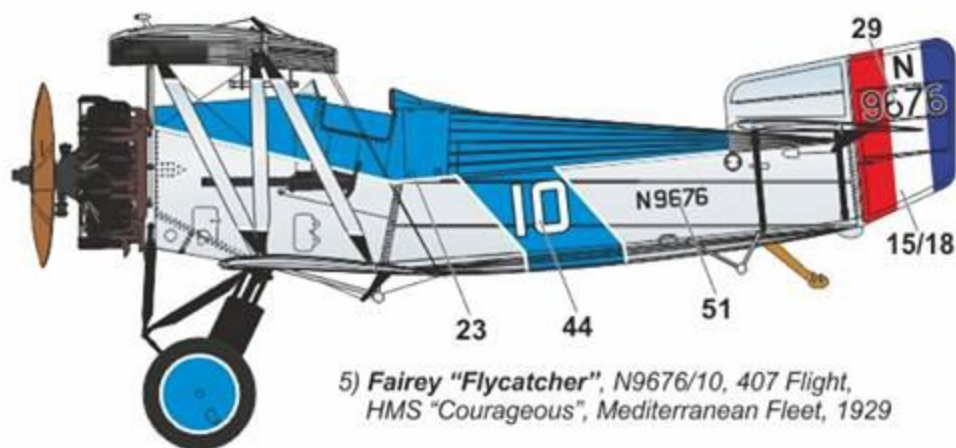
	Silver	Yellow	White	Black	Red	Blue	Brown	Rust
Humbrol	11	154	34	33	174	89	186	RC402
Hataka	003	107	043	100	276	320	012	077
AK- Interactive Real colors	020	007	004	001	005	291	225	066



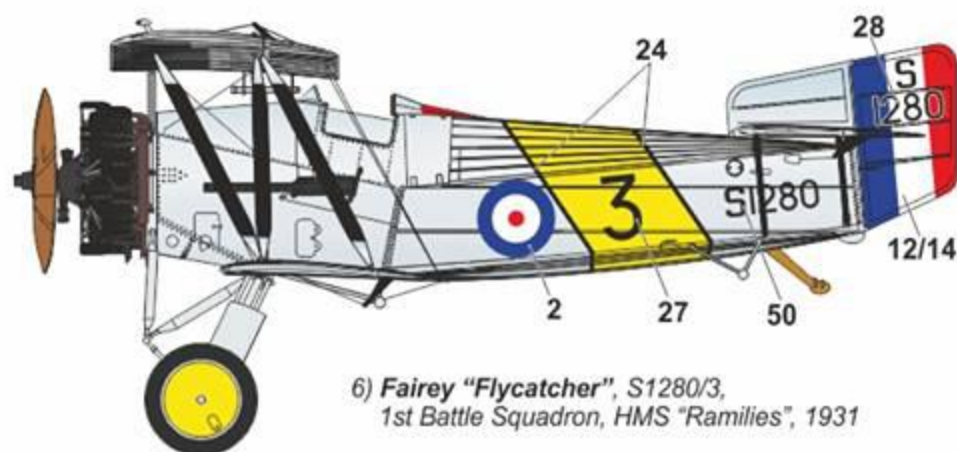
	Silver	Yellow	White	Black	Red	Blue	Brown	Rust
Humbrol	11	154	34	33	174	89	186	RC402
Hataka	003	107	043	100	276	320	012	077
AK- Interactive Real colors	020	007	004	001	005	291	225	066



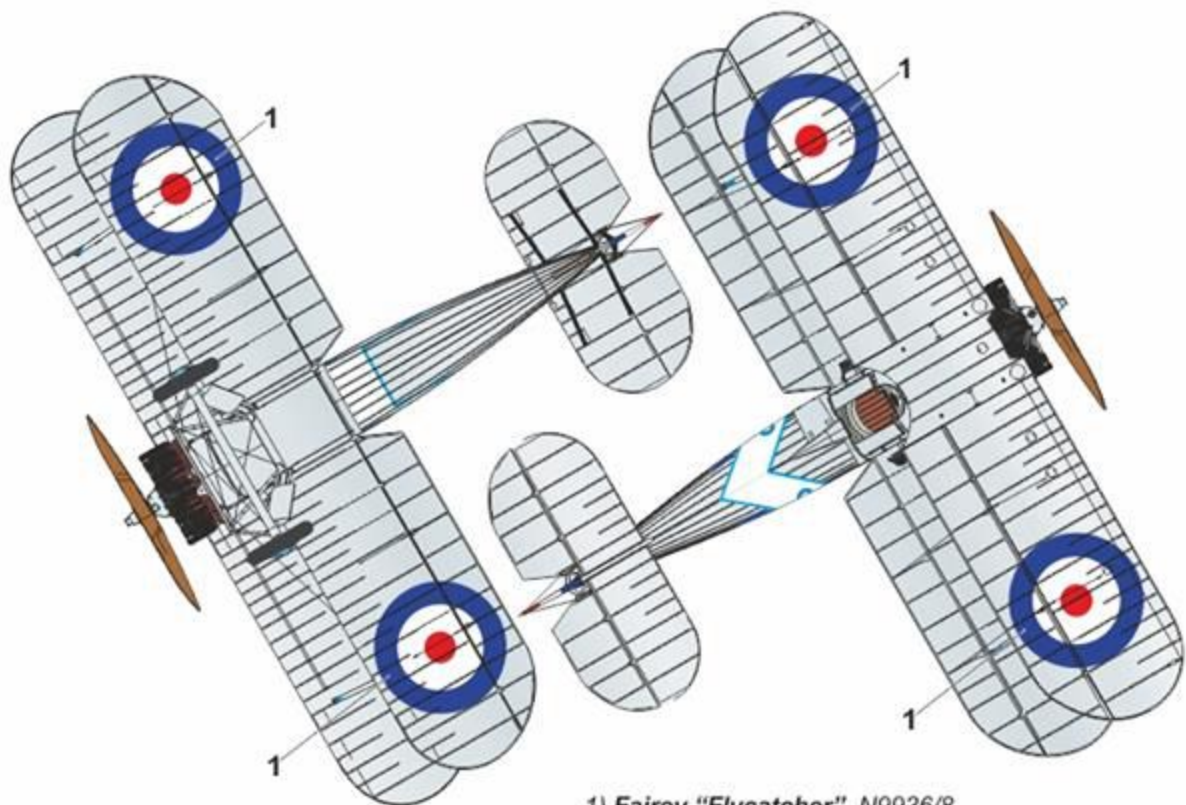
4) Fairey "Flycatcher", N9669,
405 Flight, HMS "Furious", 1924



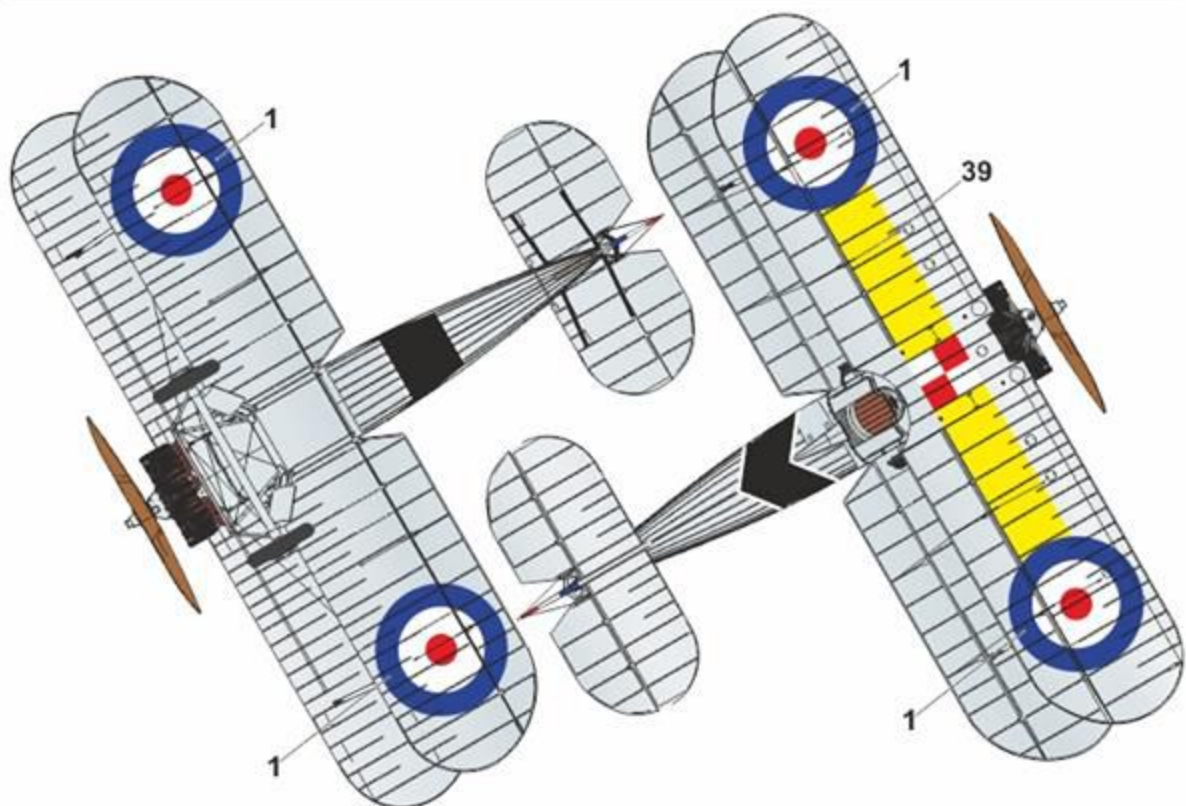
5) Fairey "Flycatcher", N9676/10, 407 Flight,
HMS "Courageous", Mediterranean Fleet, 1929



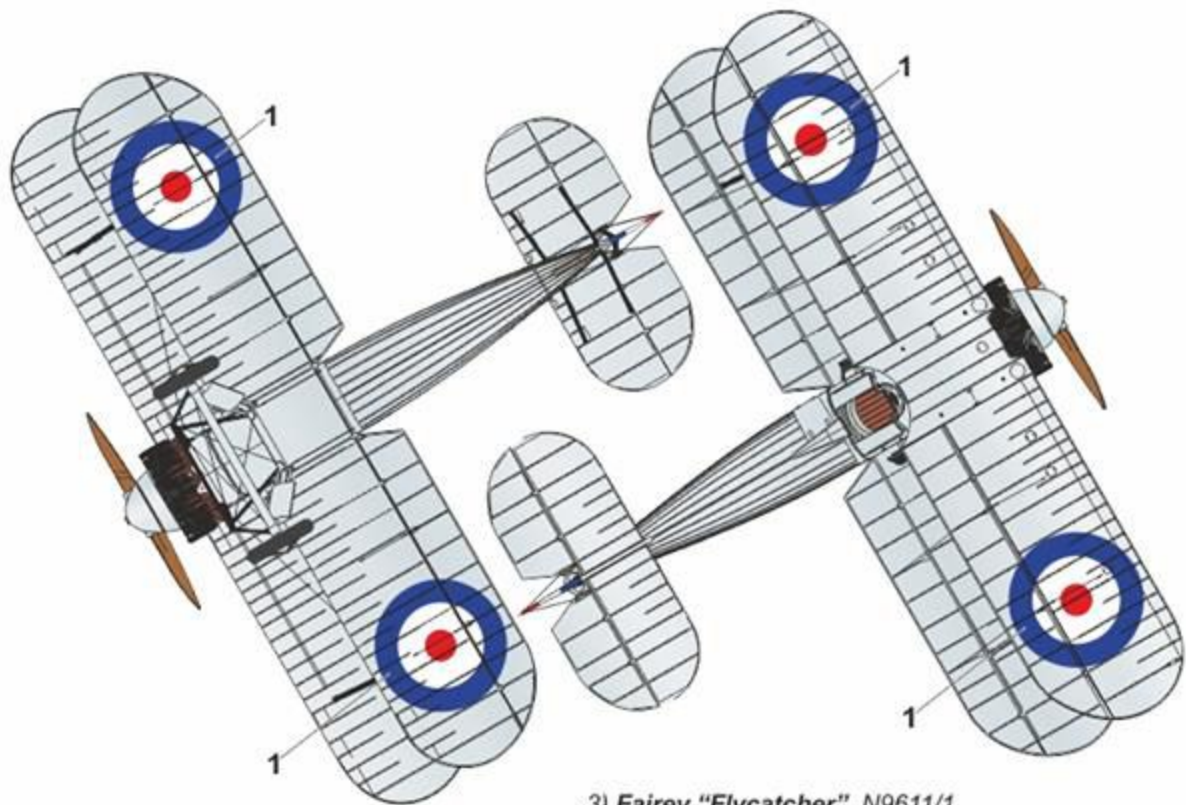
6) Fairey "Flycatcher", S1280/3,
1st Battle Squadron, HMS "Ramilies", 1931



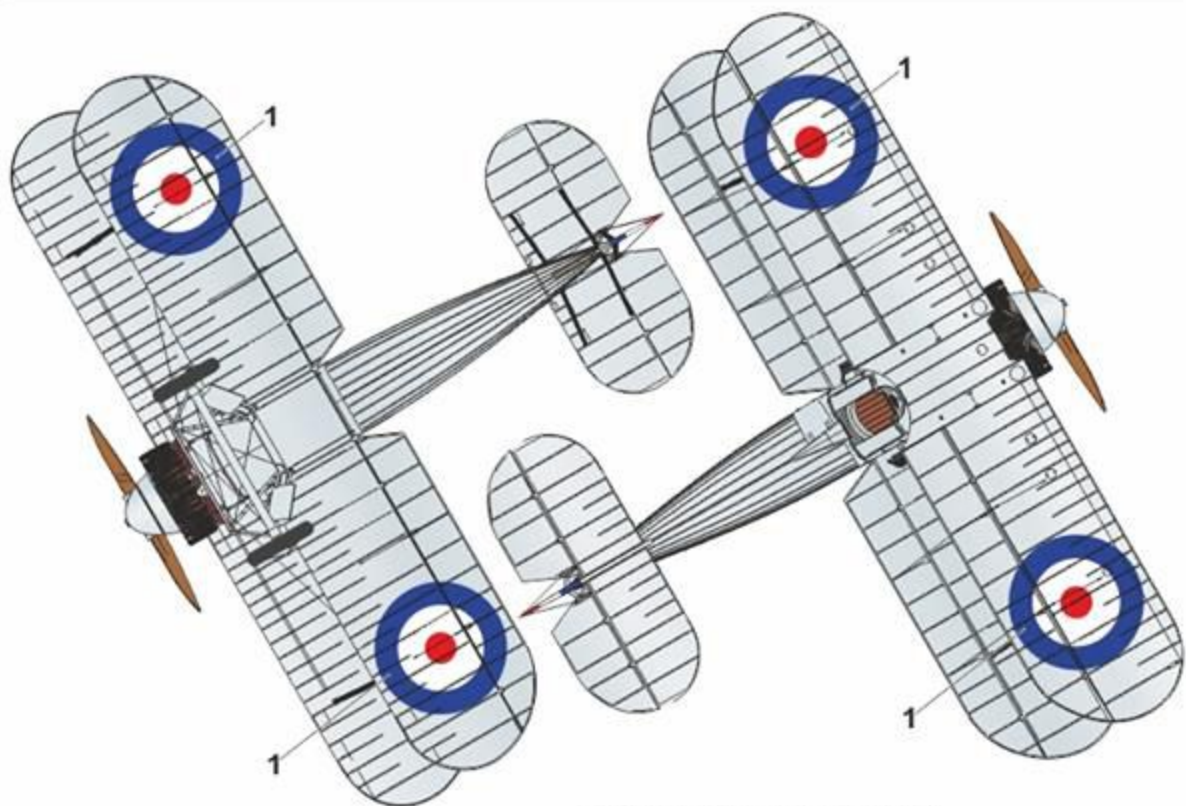
1) Fairey "Flycatcher", N9936/8,
403 Flight, HMS "Hermes", 1930-31



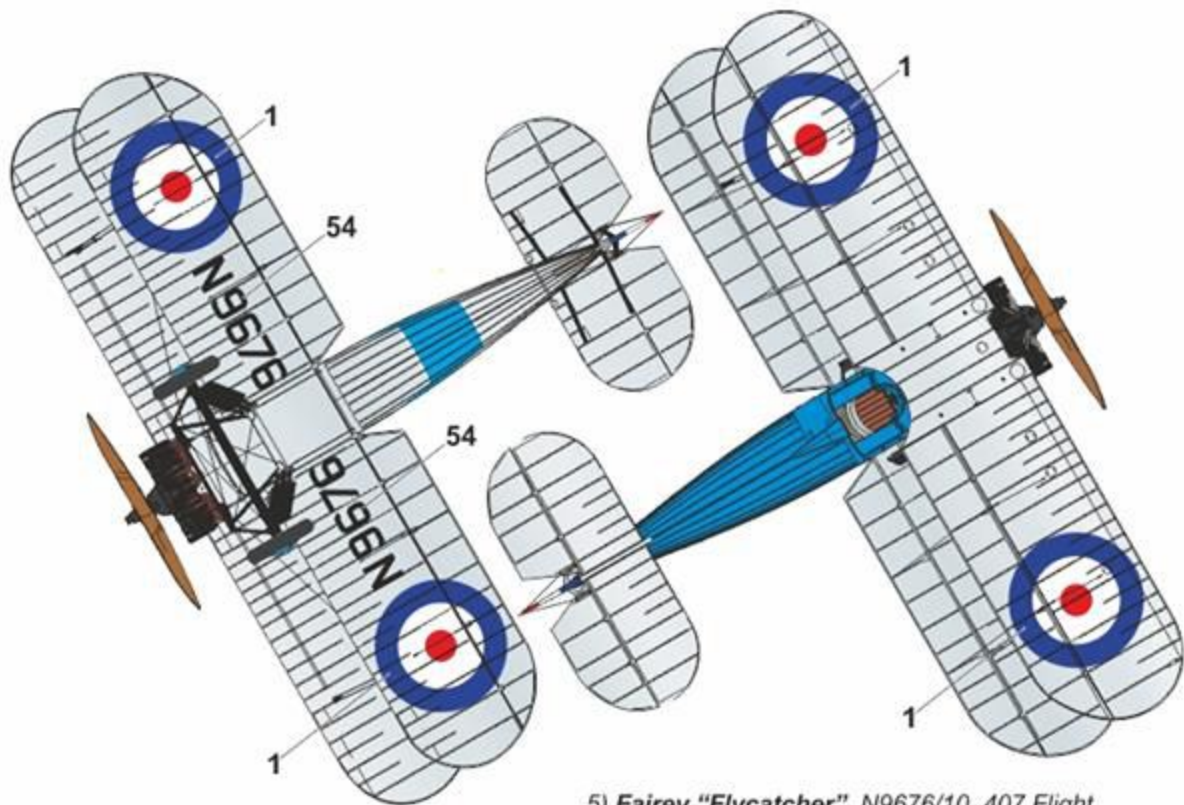
2) Fairey "Flycatcher", N9923/1,
402 Flight, HMS "Eagle", 1928



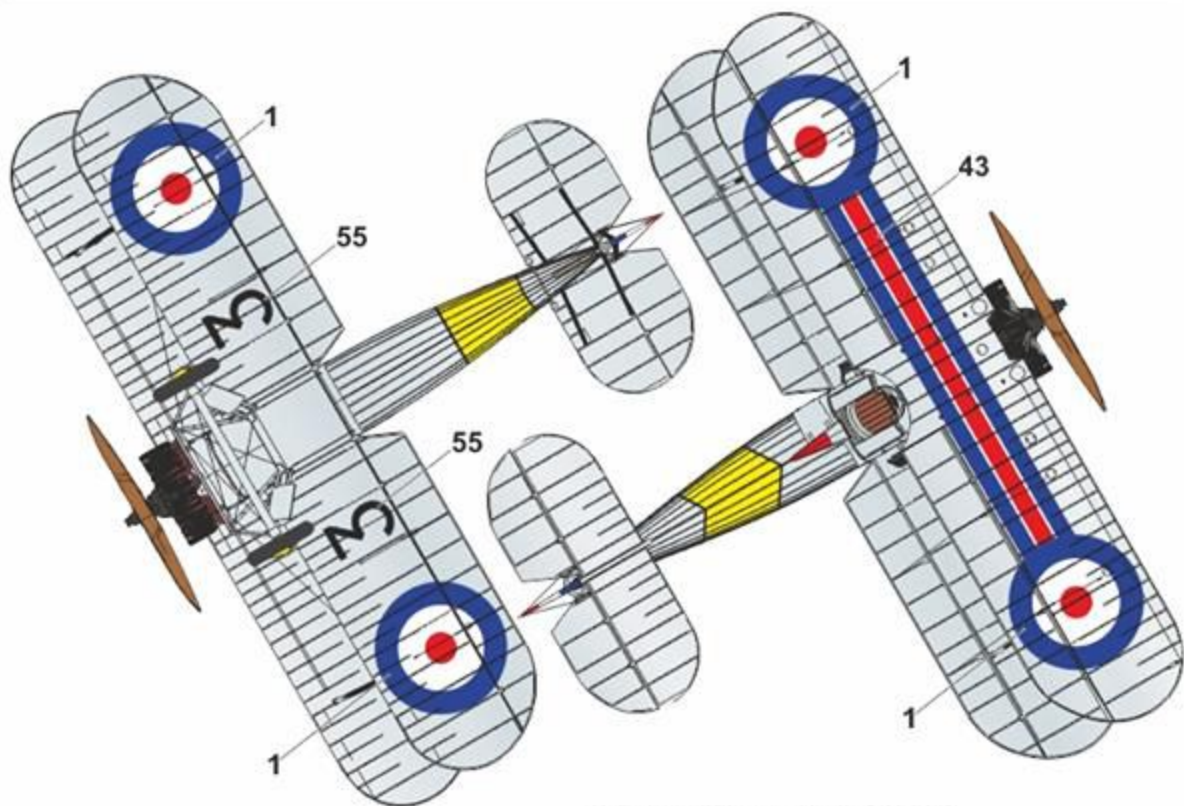
3) *Fairey "Flycatcher"*, N9611/1,
402 Flight, HMS "Eagle", 1924-25



4) *Fairey "Flycatcher"*, N9669,
405 Flight, HMS "Furious", 1924



5) Fairey "Flycatcher", N9676/10, 407 Flight,
HMS "Courageous", Mediterranean Fleet, 1929



6) Fairey "Flycatcher", S1280/3,
1st Battle Squadron, HMS "Ramilies", 1931

STENCILING SCHEME

