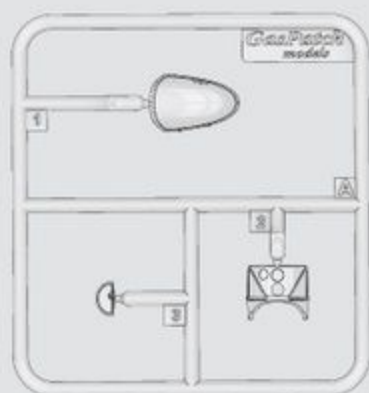


Resin Parts Layout



Clear Plastic Parts Layout

Me 163B Komet 1/72



Clear Acetate Film



Vinyl Mask



Decal sheet

Symbols Reference

Attention	Glue	Color	Bend	Apply Decal
Part Number	Do not glue	Cut/Remove	Saw	Do not use
Photo Etched	Paint	Hole	Smooth	
Symmetry	Do not paint	Option	Mask	

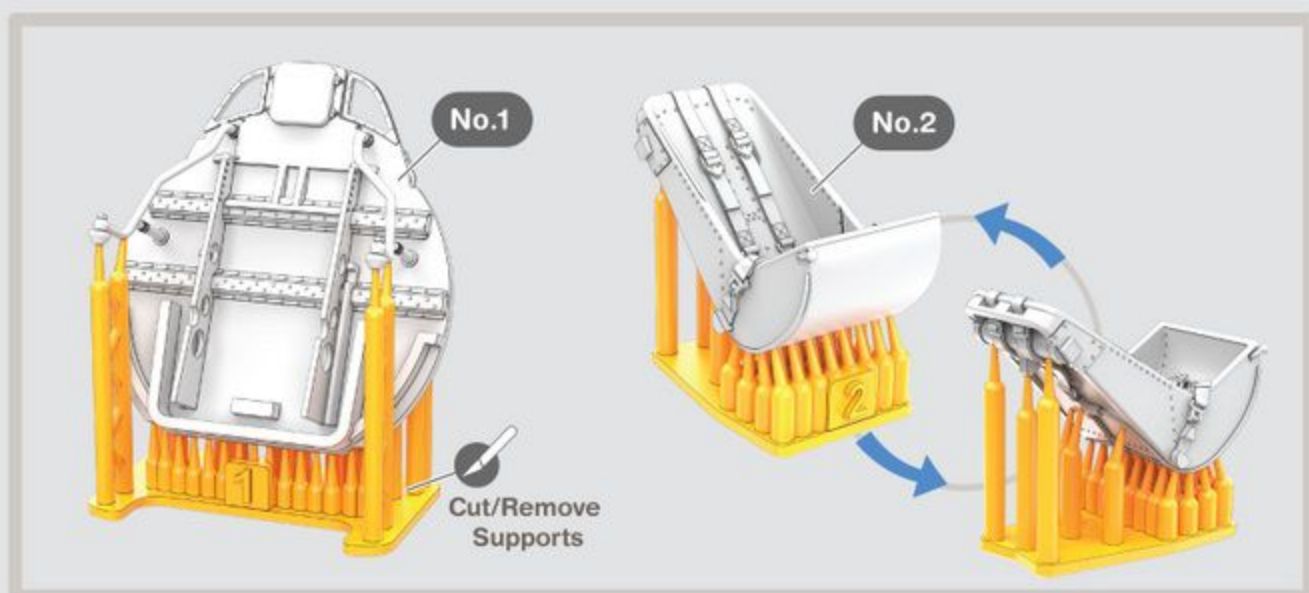
Color Reference

RLM - 02	RLM - 23	RLM - 81	Exhaust
RLM - 04	RLM - 24	RLM - 82	Aluminium
RLM - 21	RLM - 66	RAF Trainer Yellow	
RLM - 22	RLM - 76	RAF Dark Green	

Tips and tricks

- STUDY INSTRUCTIONS CAREFULLY.
- USE PHOTO ETCHED SAW FOR CUTTING SMALL THIN PARTS FROM SUPPORT TREE.
- USE CA (CYANOACRYLATE) OR WHITE GLUE FOR DIFFERENT MATERIALS.
- TAKE BASIC SAFETY PRECAUTIONS.

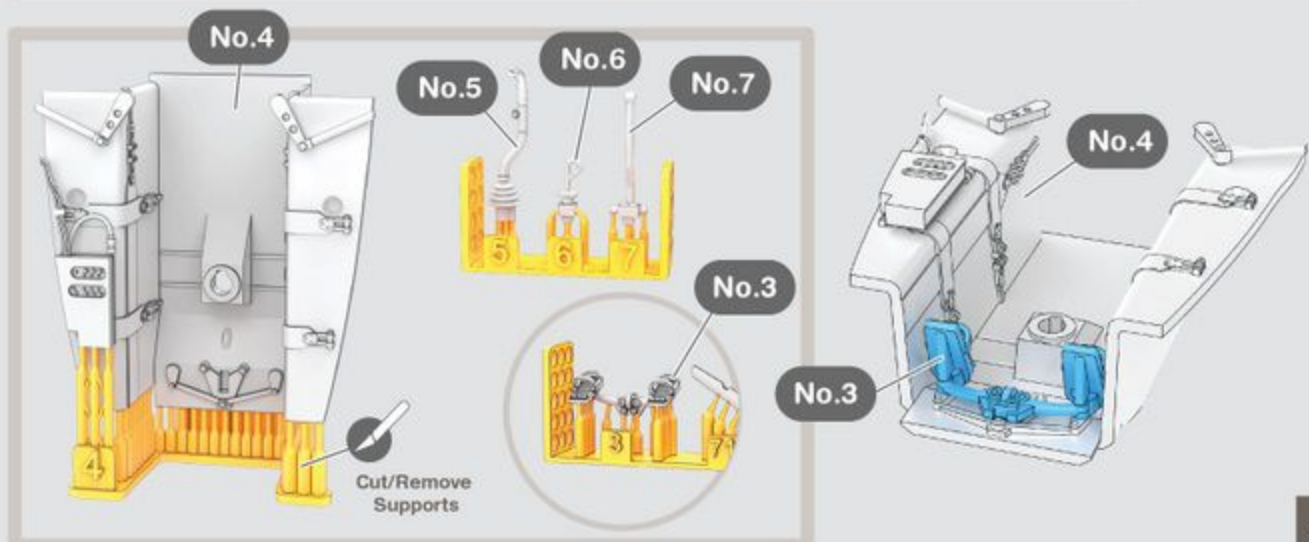
1 Building pilot's seat

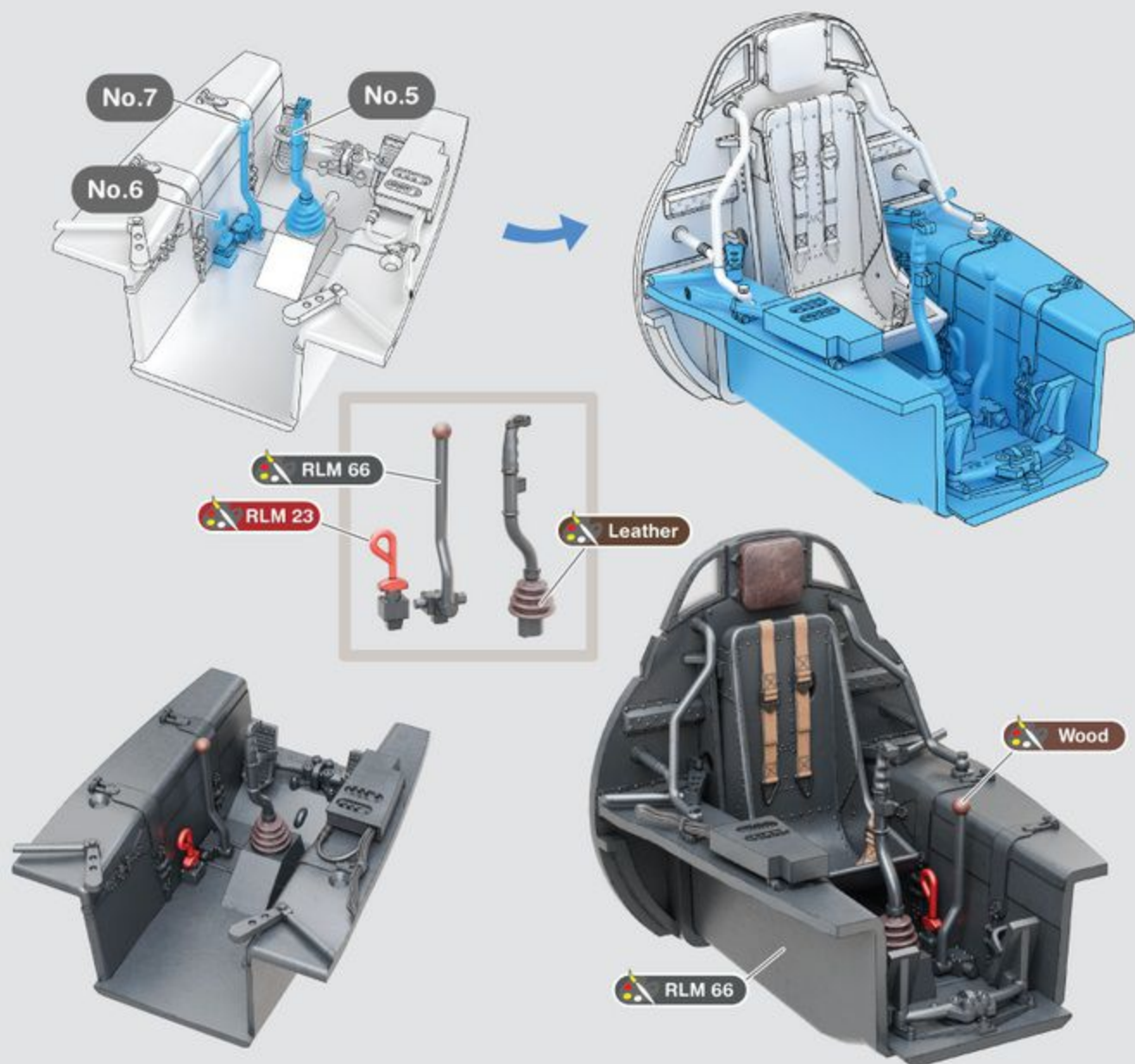


! Use Provided Clear Acetate Film

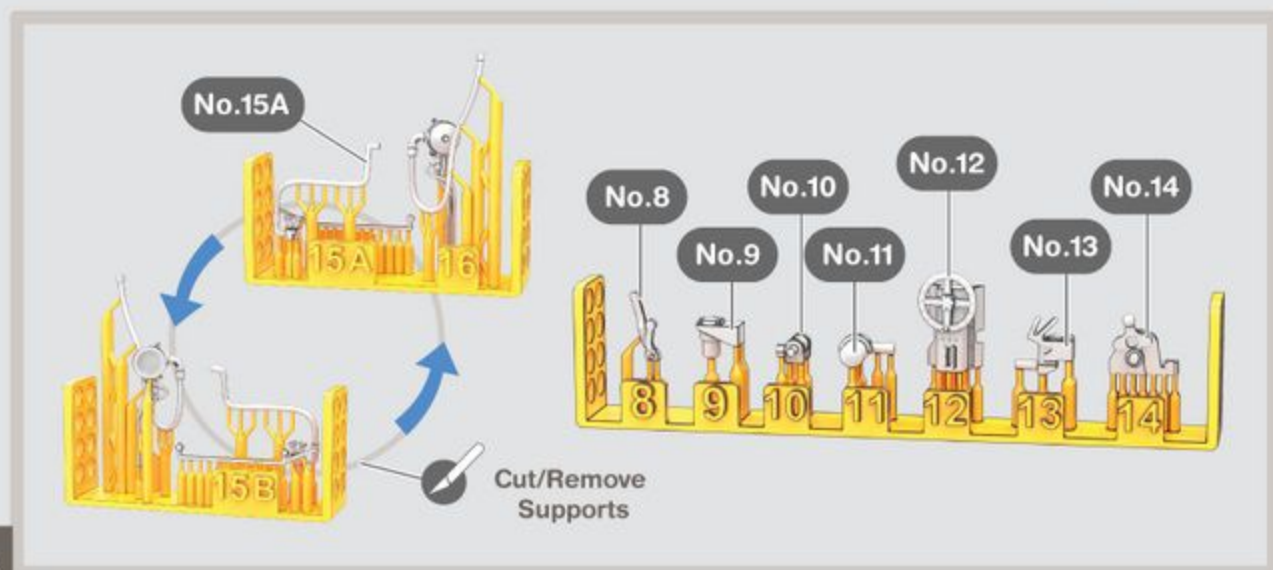


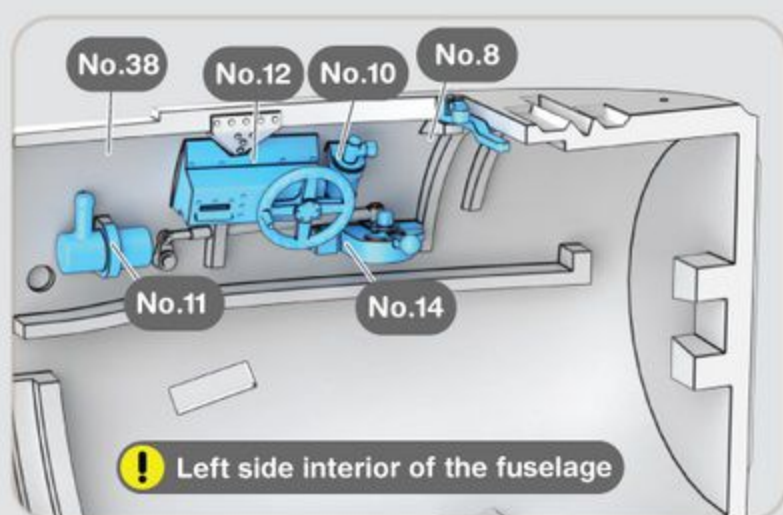
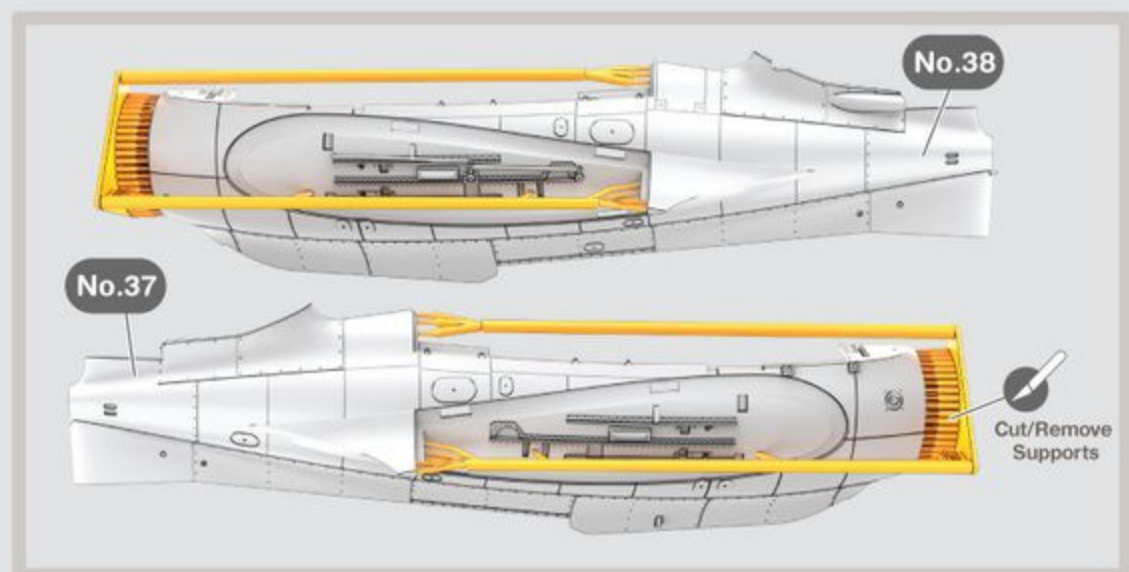
2 Cockpit joystick and tub assembly



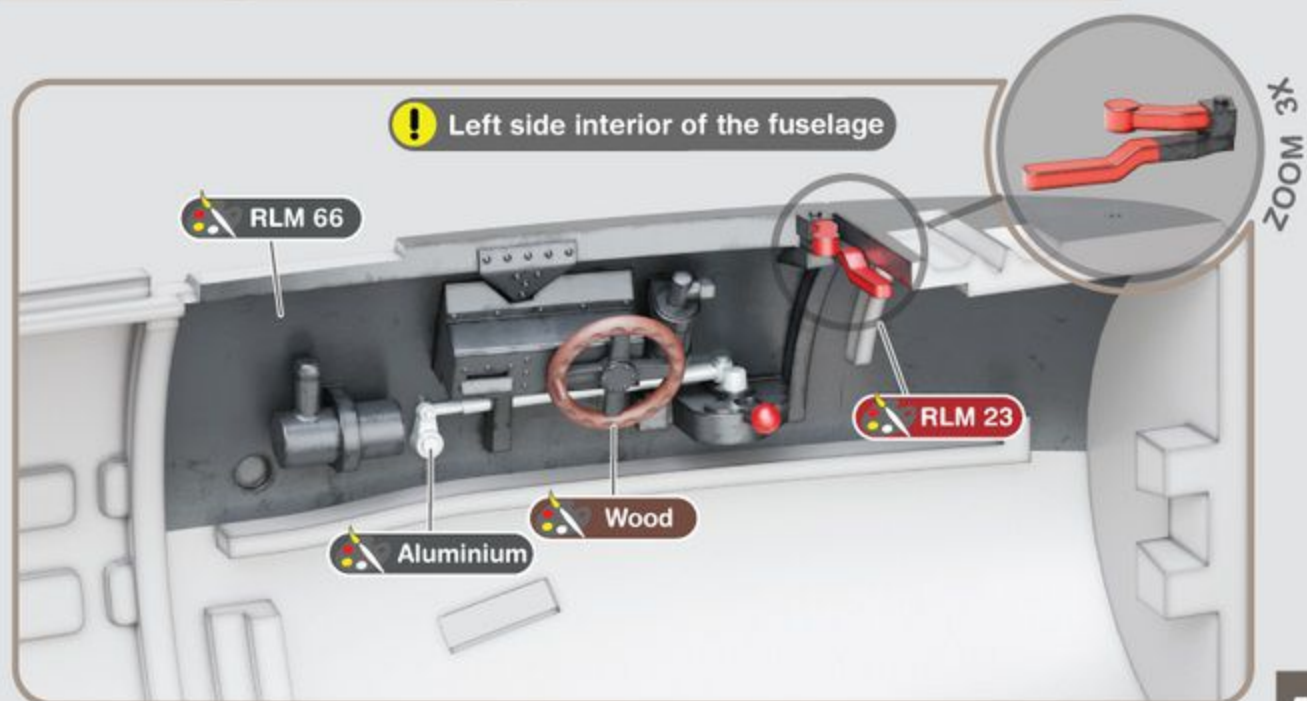


3 Fuselage interior components assembly

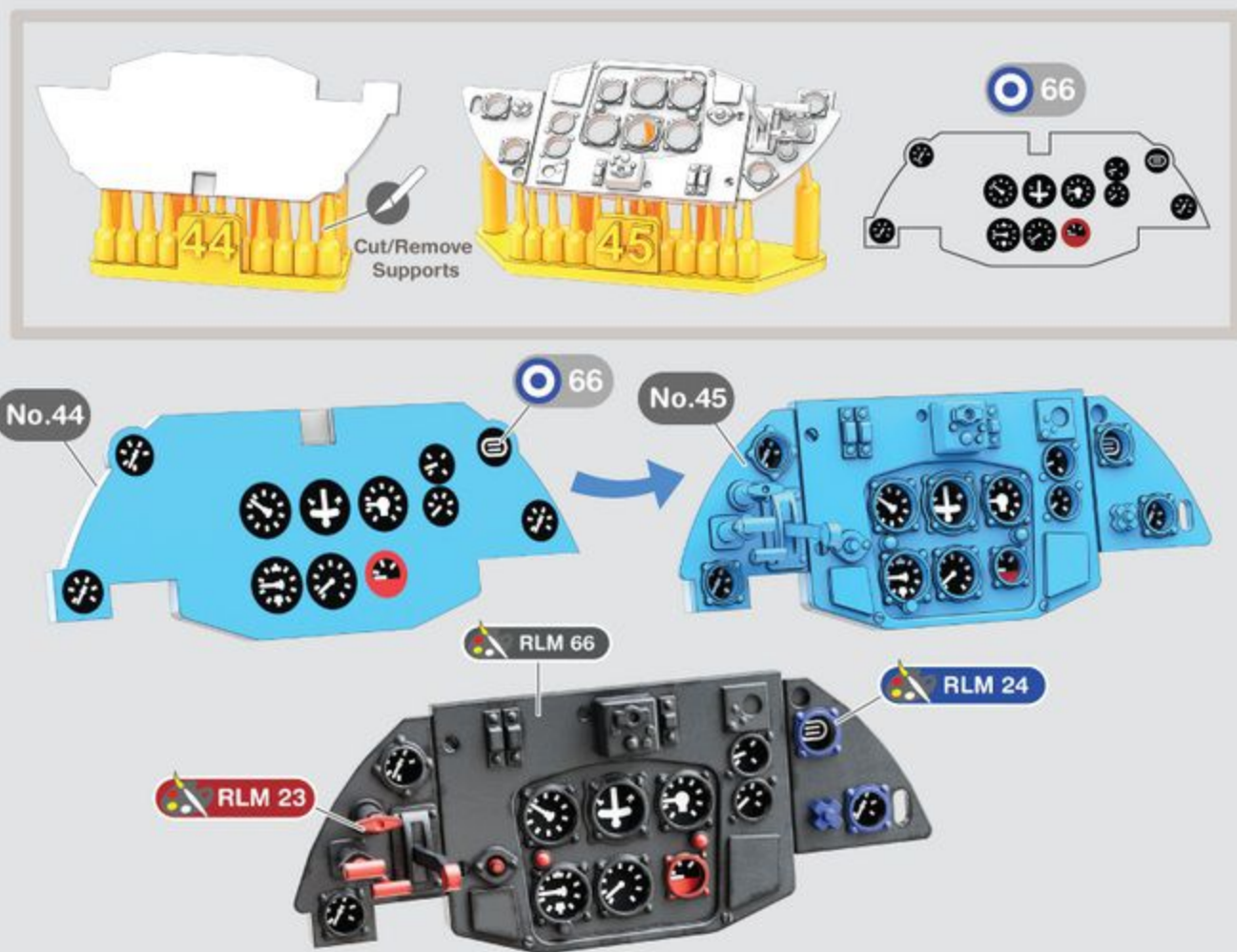




4 Painting left side fuselage interior



5 Building instruments panel



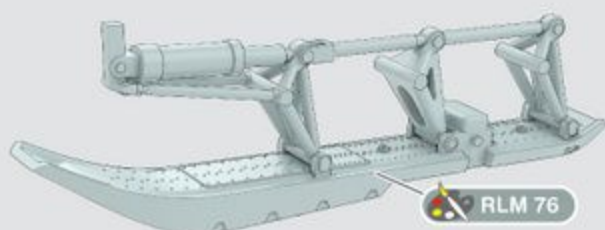
6 Ammo compartment assembly



7 Landing skid assembly options



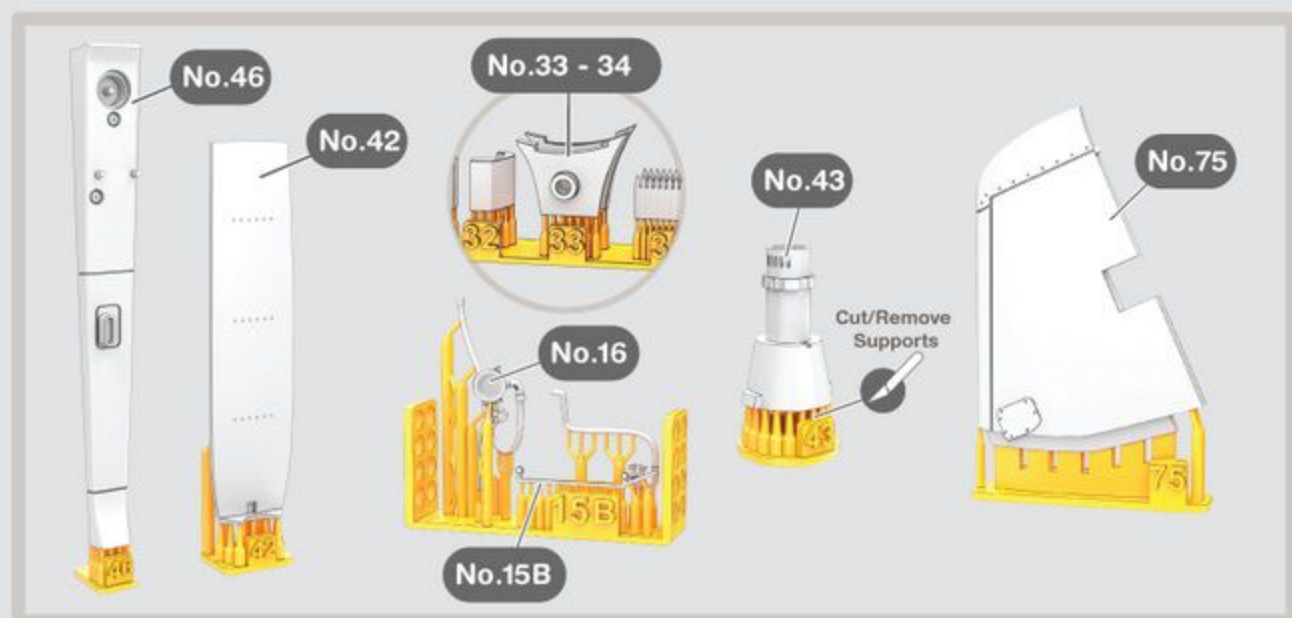
? Use if landing skid compartment is extended



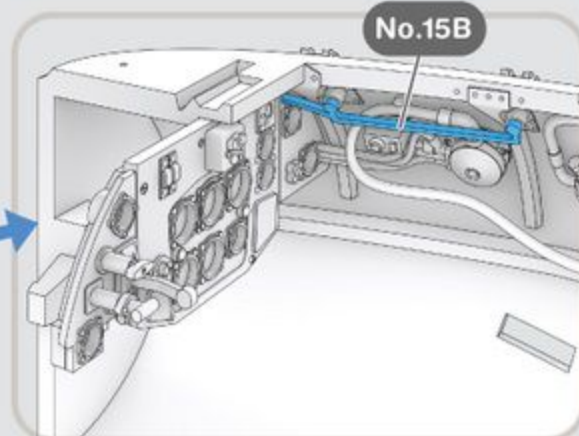
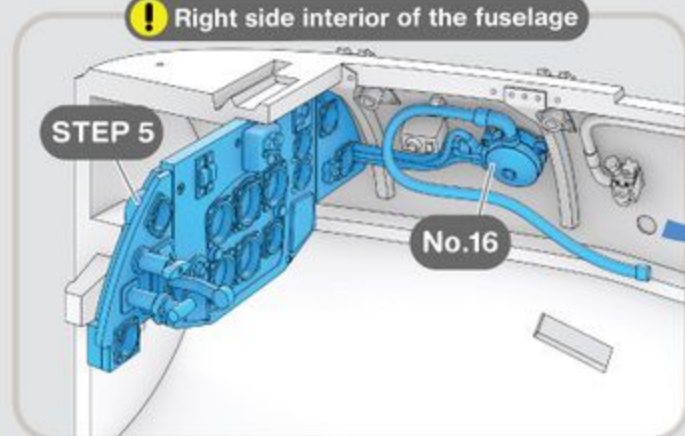
? Use if landing skid compartment is retracted



8 Fuselage halves assembly



! Right side interior of the fuselage



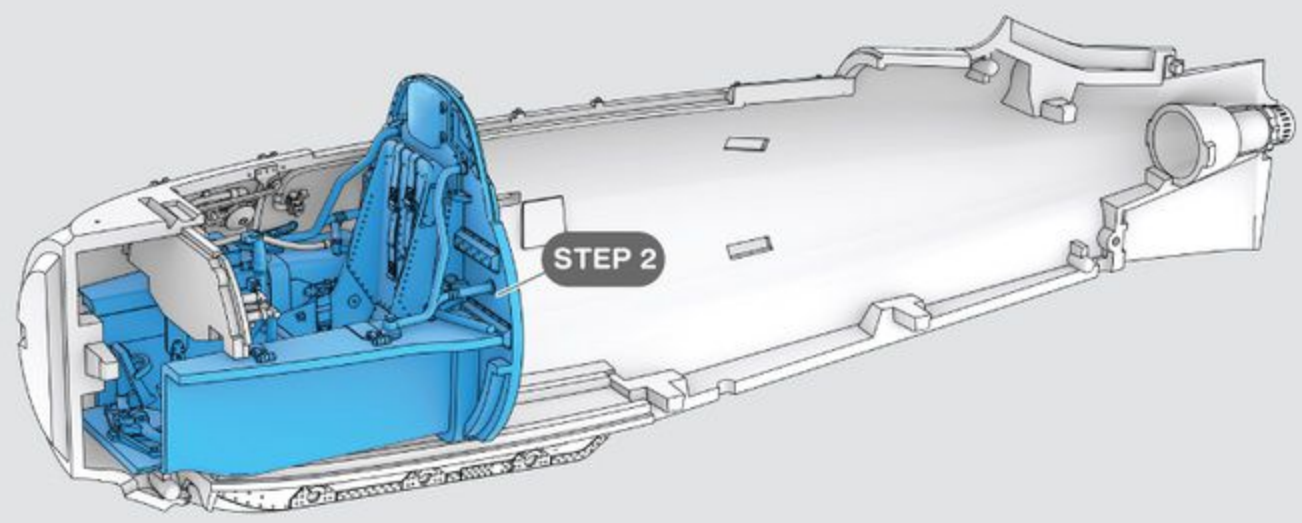
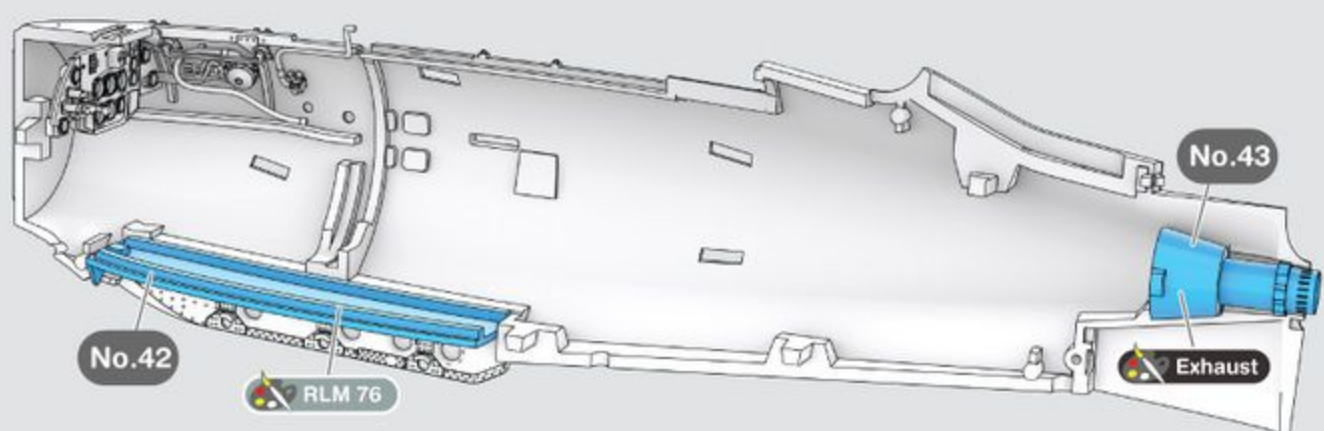
! Right side interior of the fuselage

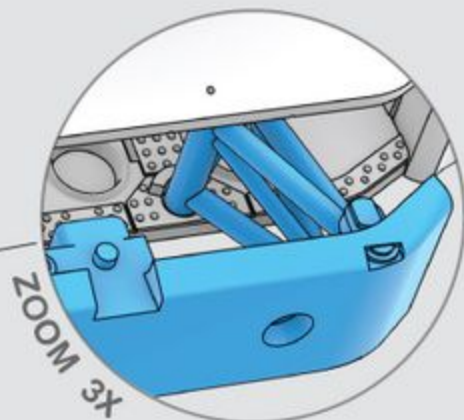
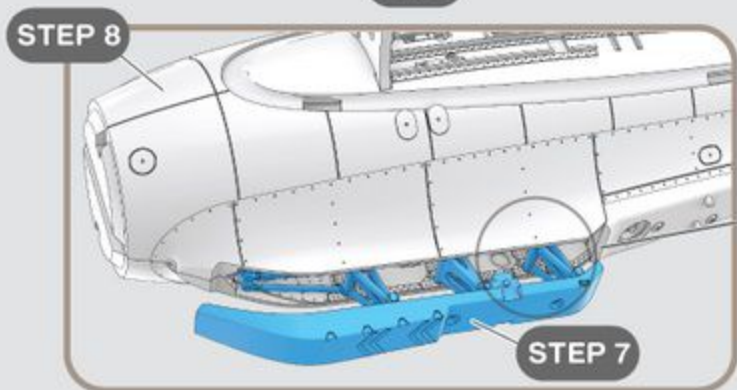
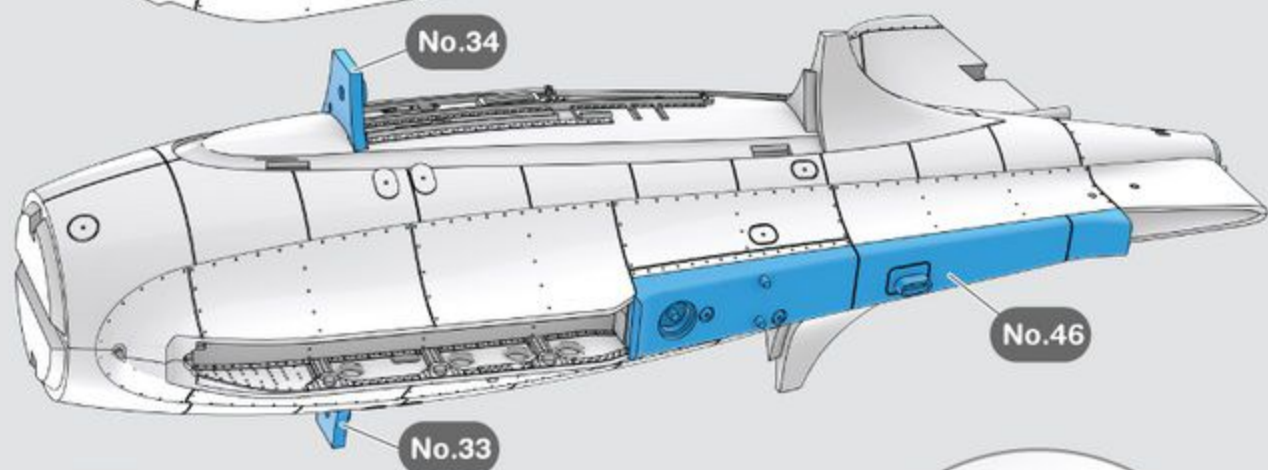
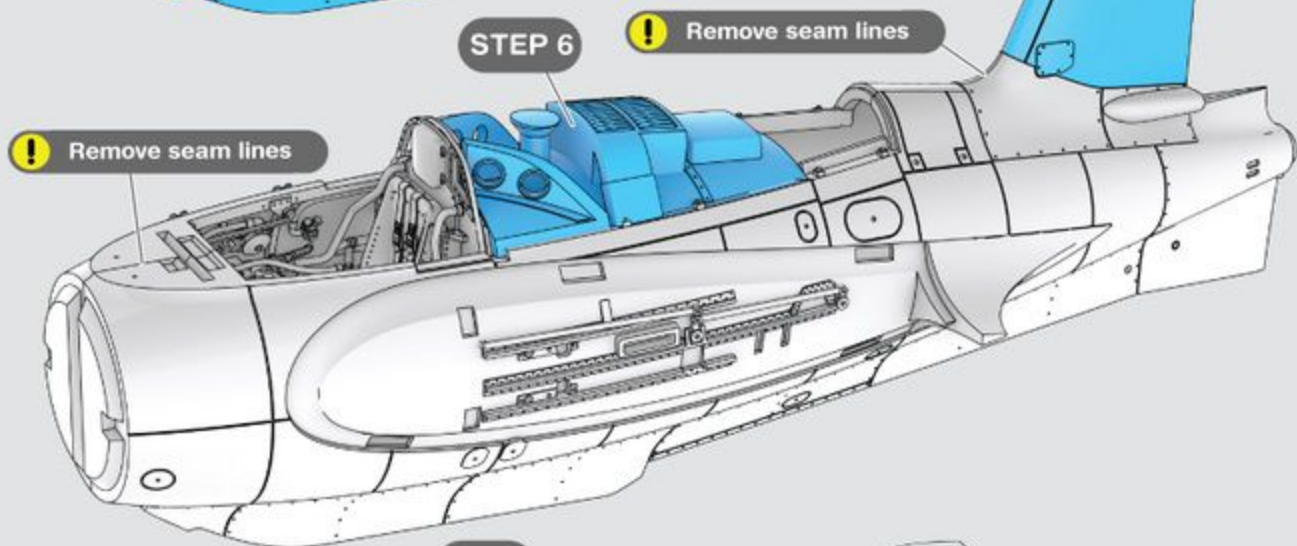
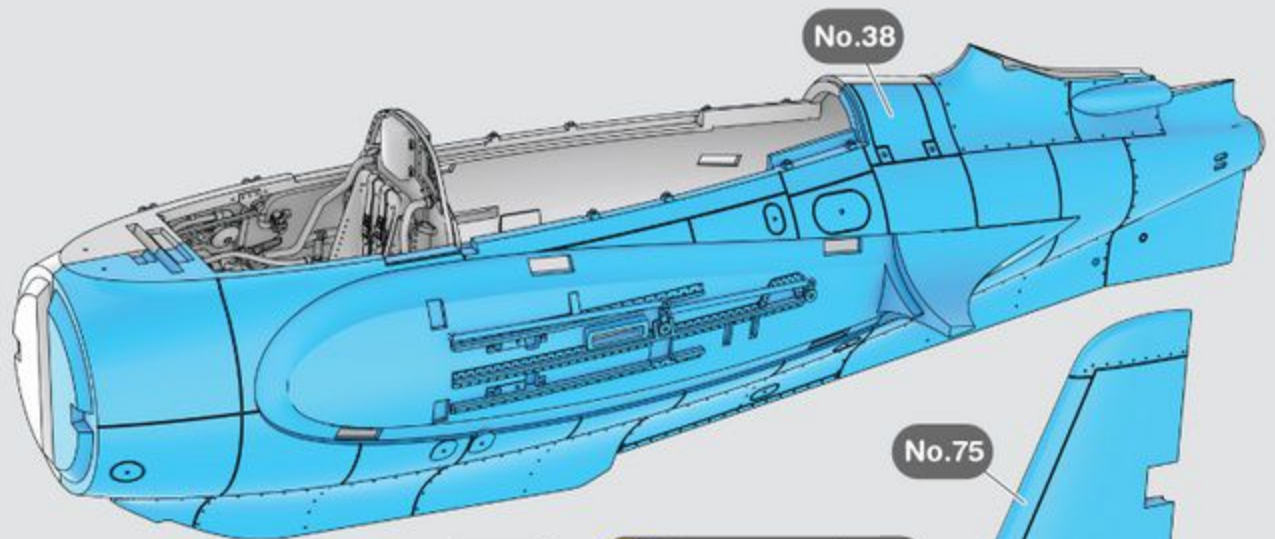
Bronze

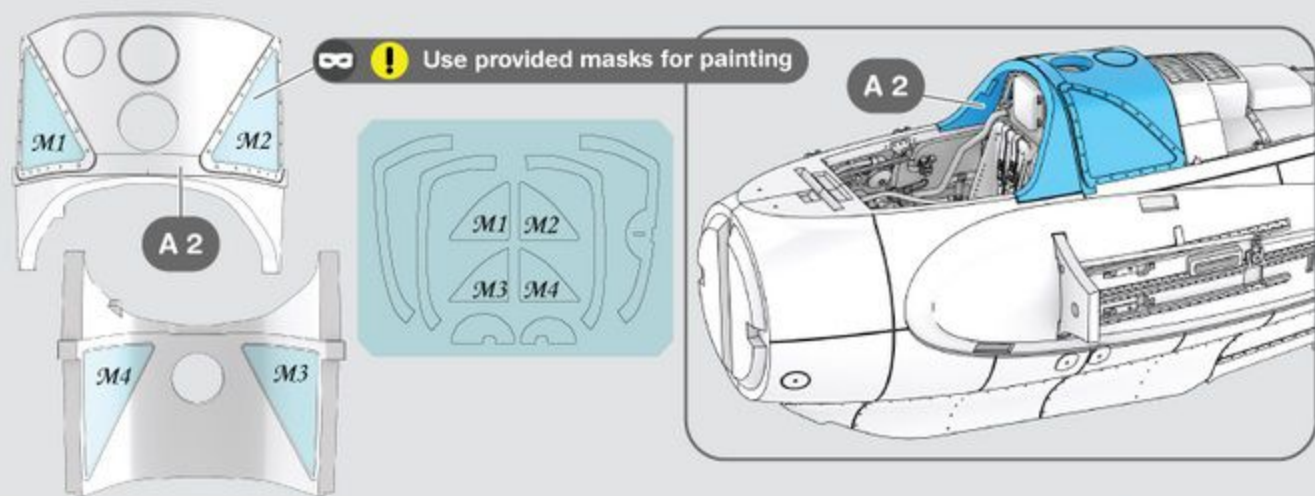
RLM 24

RLM 66

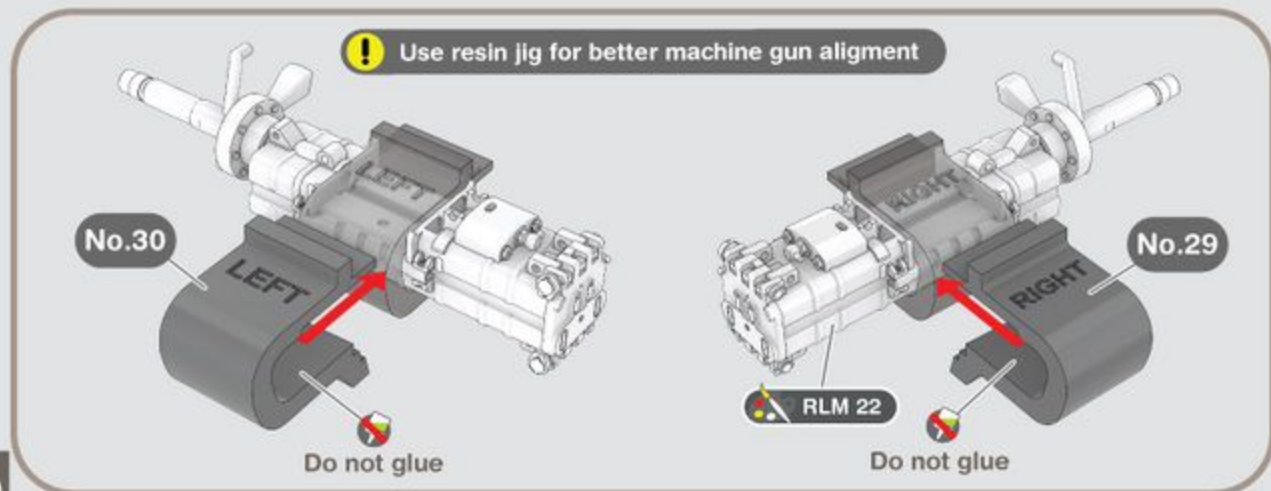
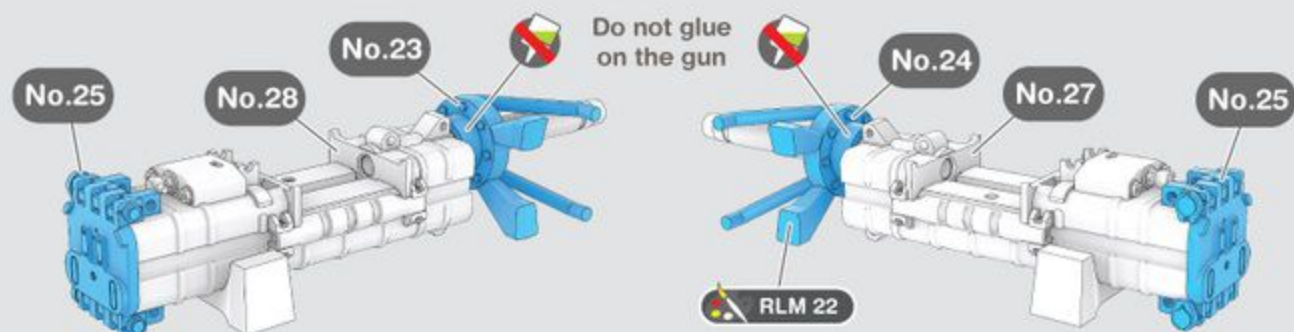
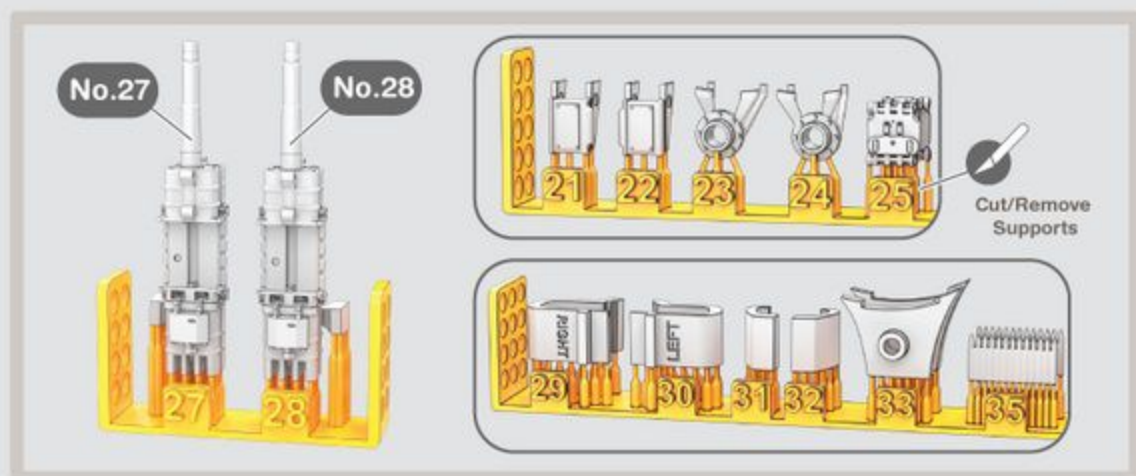
49



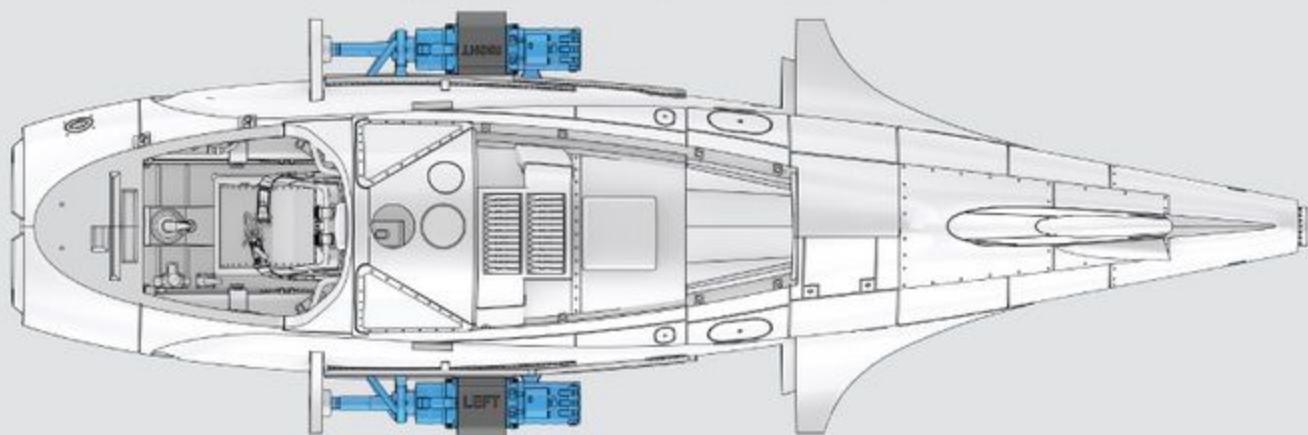




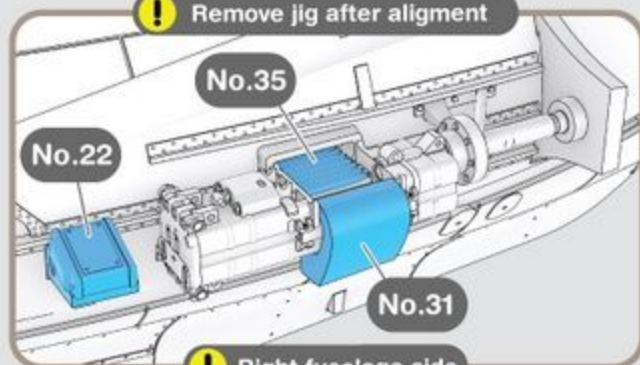
9 Machine guns assembly



! Glue machine guns in place and align

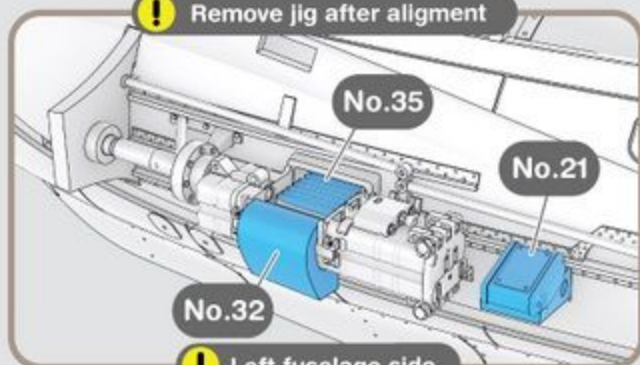


! Remove jig after alignment



! Right fuselage side

! Remove jig after alignment



! Left fuselage side

10 Closing fuselage body



No.47

No.48

No.50

No.49

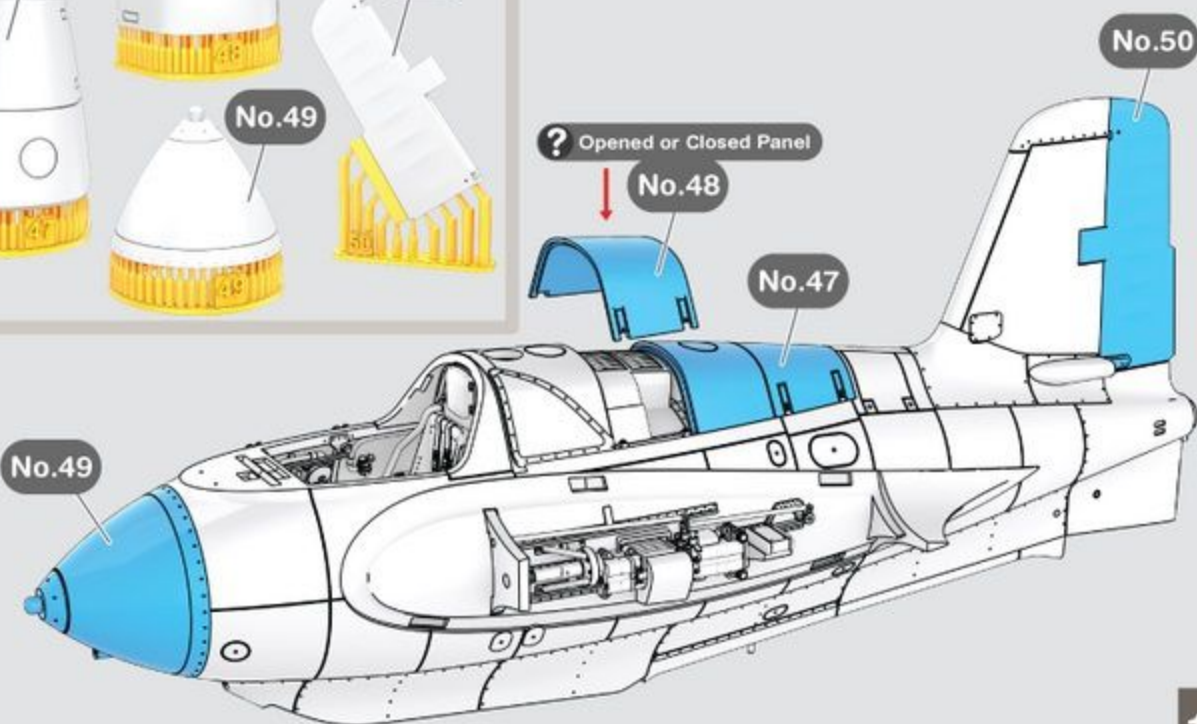
? Opened or Closed Panel

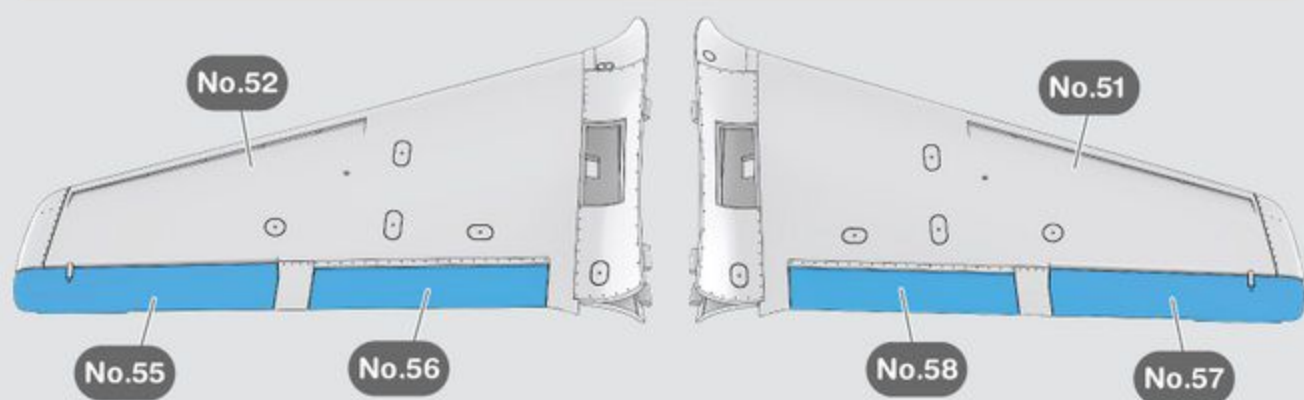
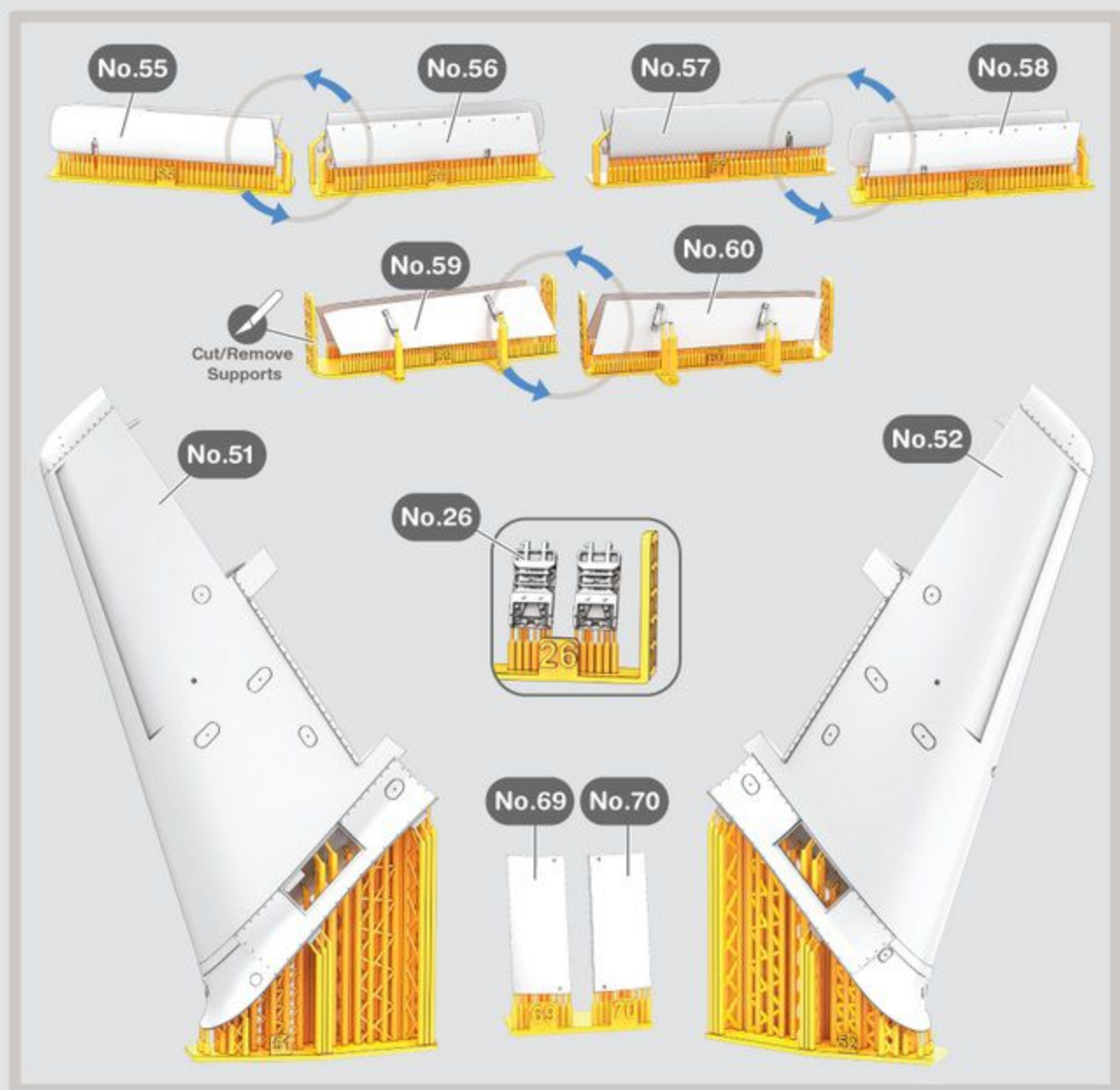
No.48

No.47

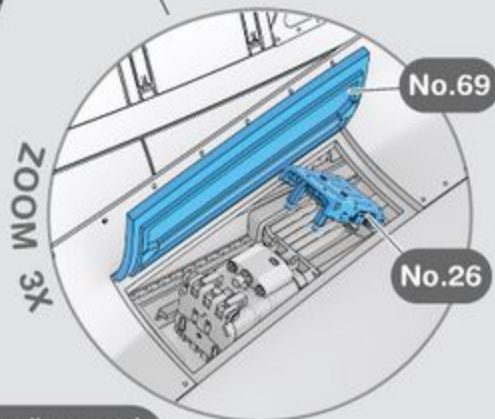
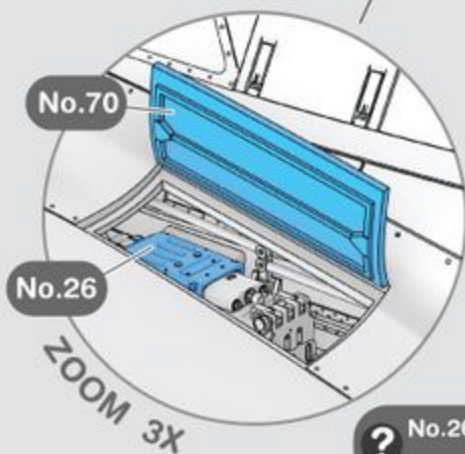
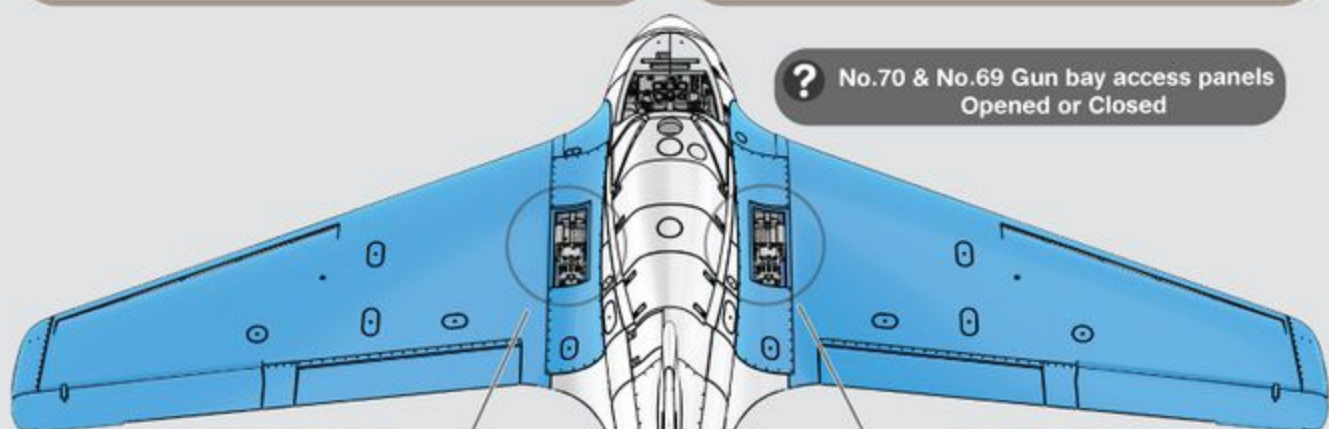
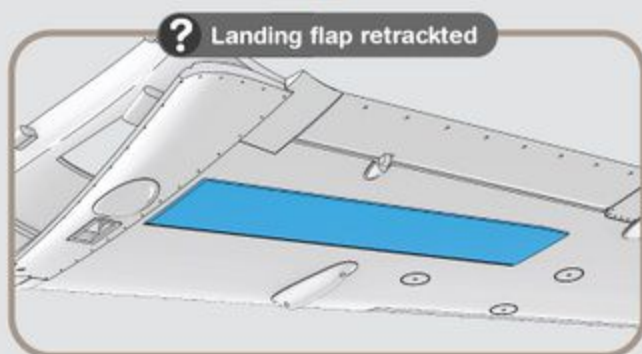
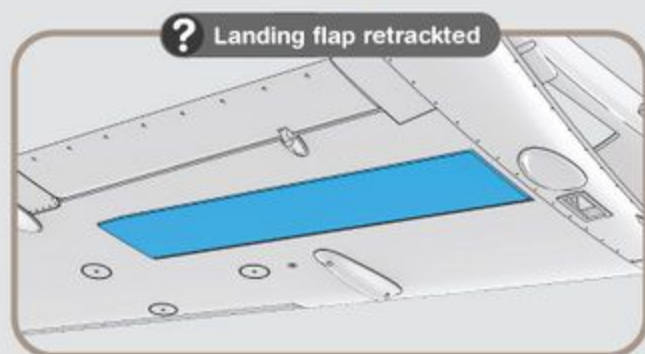
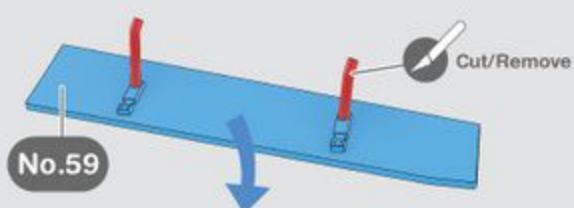
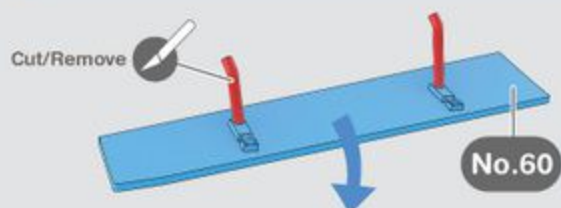
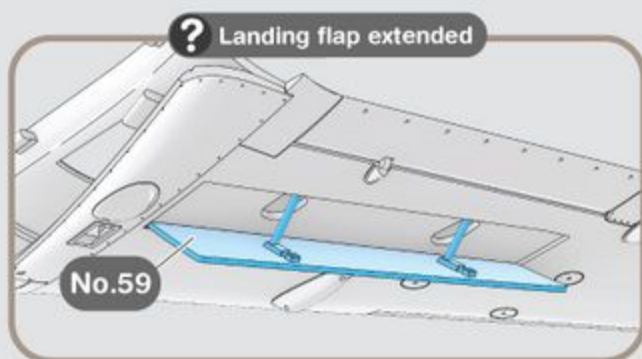
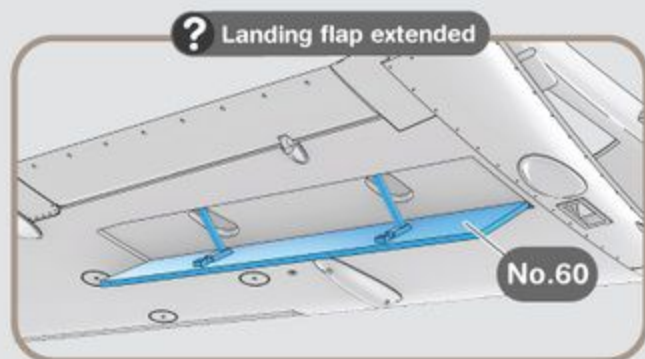
No.50

No.49





! Trim pins if needed in order to fit



? No. 26 Ammo Belt loading panel Opened or Closed

11 Tailwheel assembly



! Tailwheel retracted

? Option 1 fairings removed



? Weighted tires or round

! Tailwheel retracted

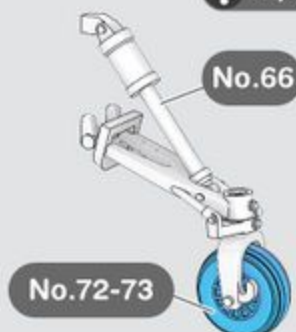
? Option 3 fairings retained



? Weighted tires or round

! Tailwheel extended

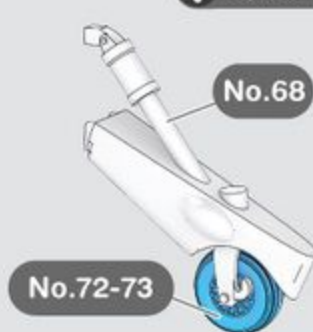
? Option 2 fairings removed



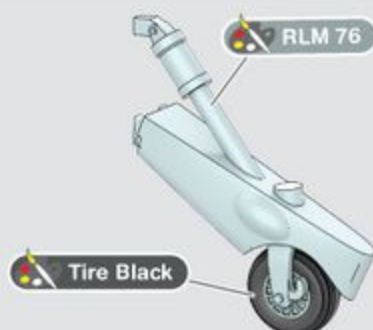
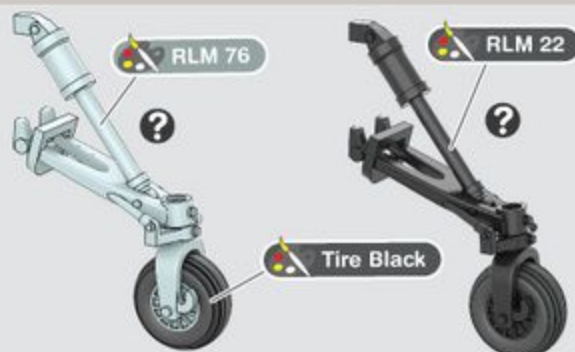
? Weighted tires or round

! Tailwheel extended

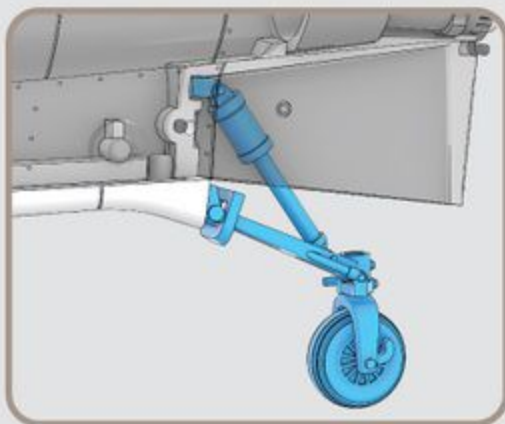
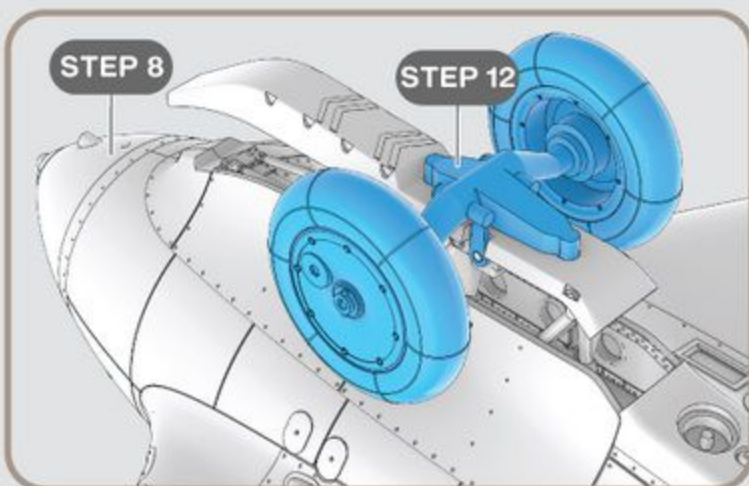
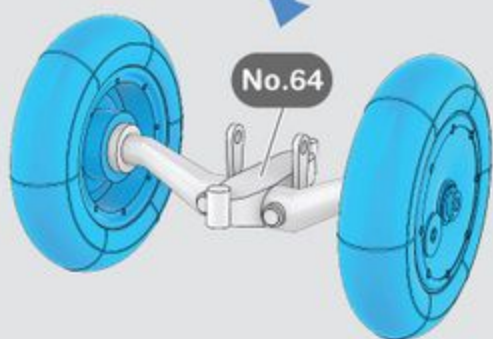
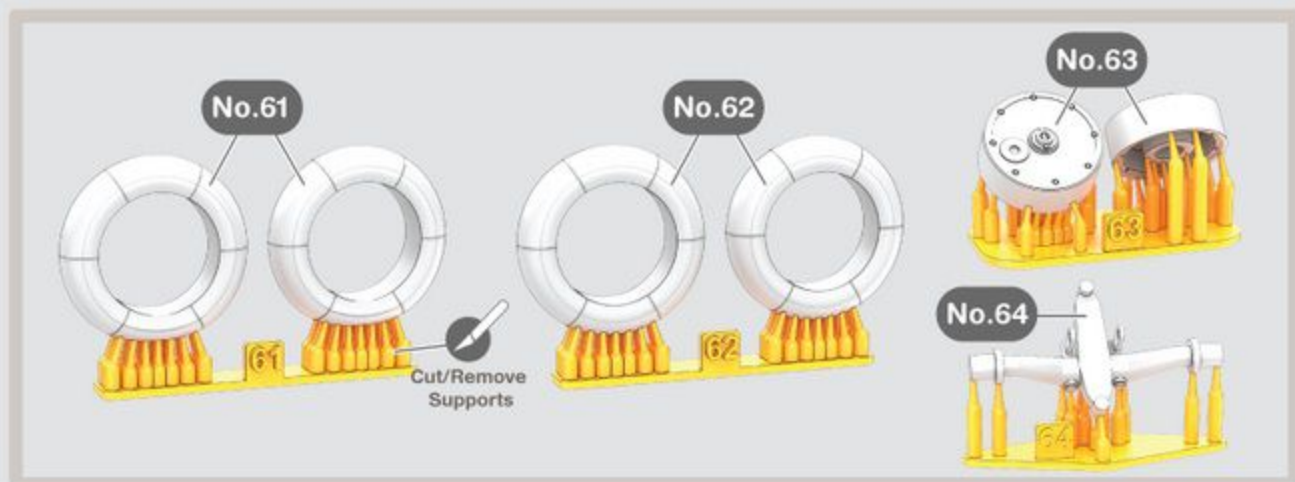
? Option 4 fairings retained



? Weighted tires or round

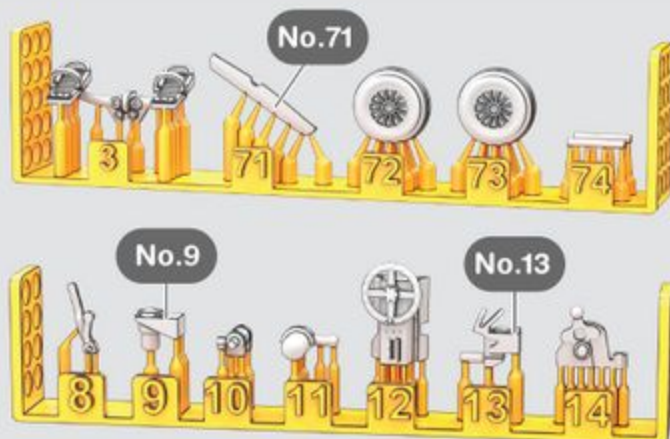
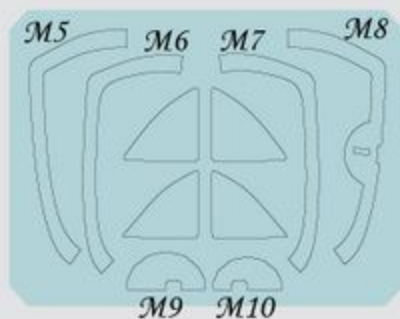


12 Main gear dolly assembly and tail wheel assembly

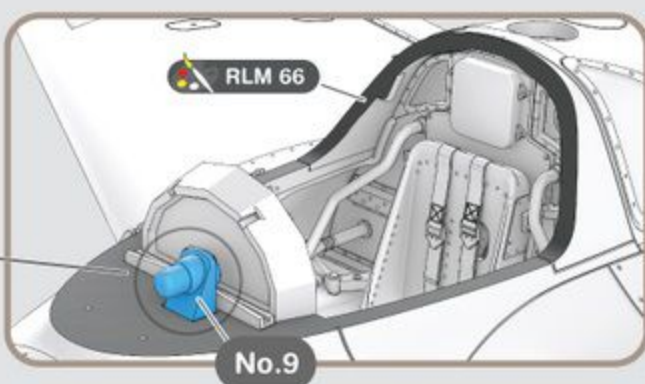
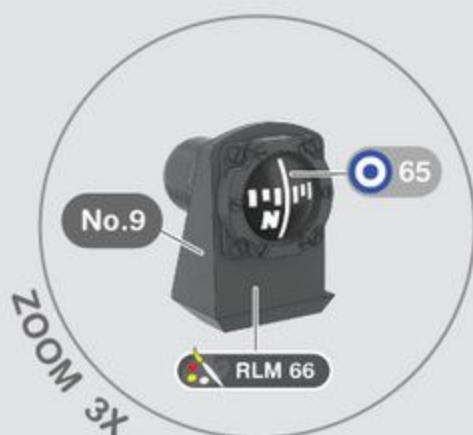
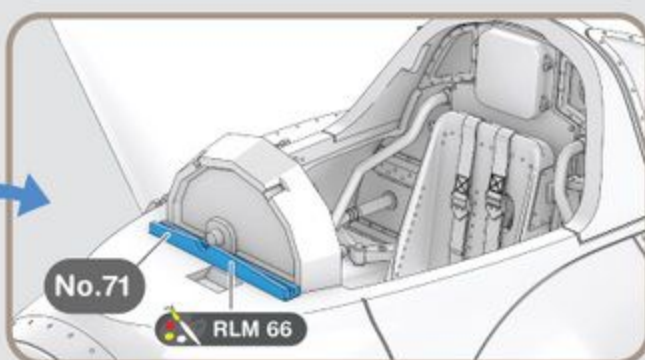
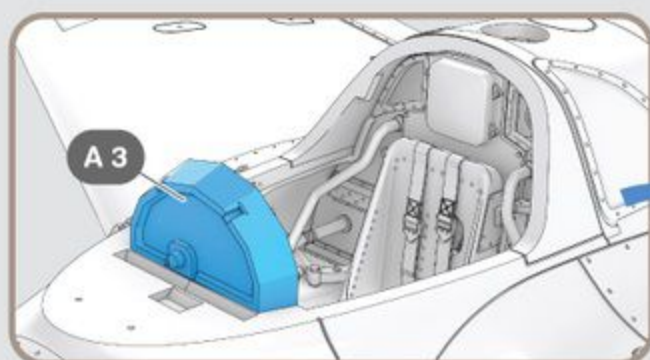
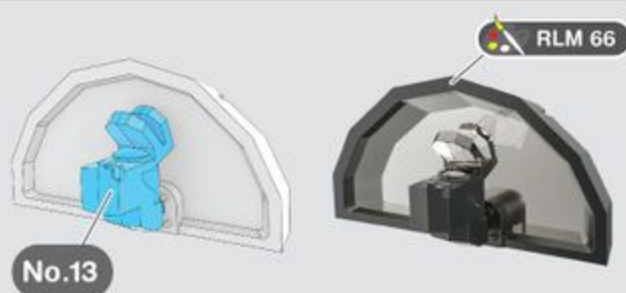


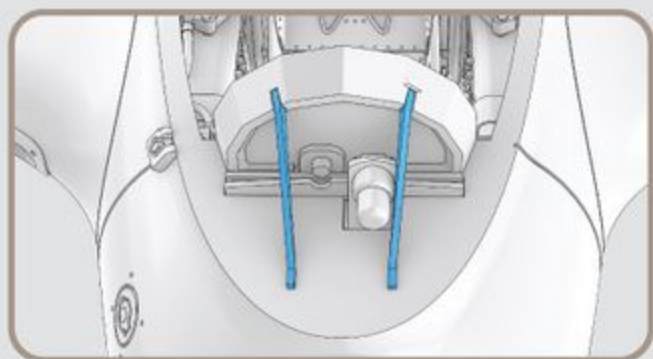
13 Cockpit canopy and armoured glass assembly

 **!** Use provided masks for painting

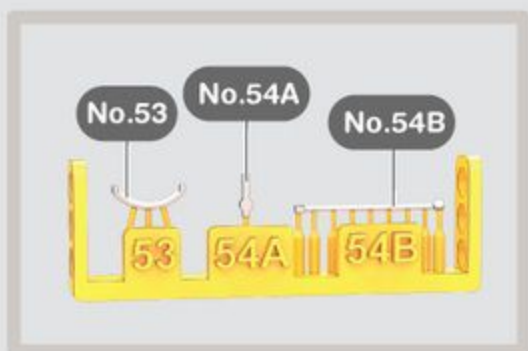


! Use provided masks for painting

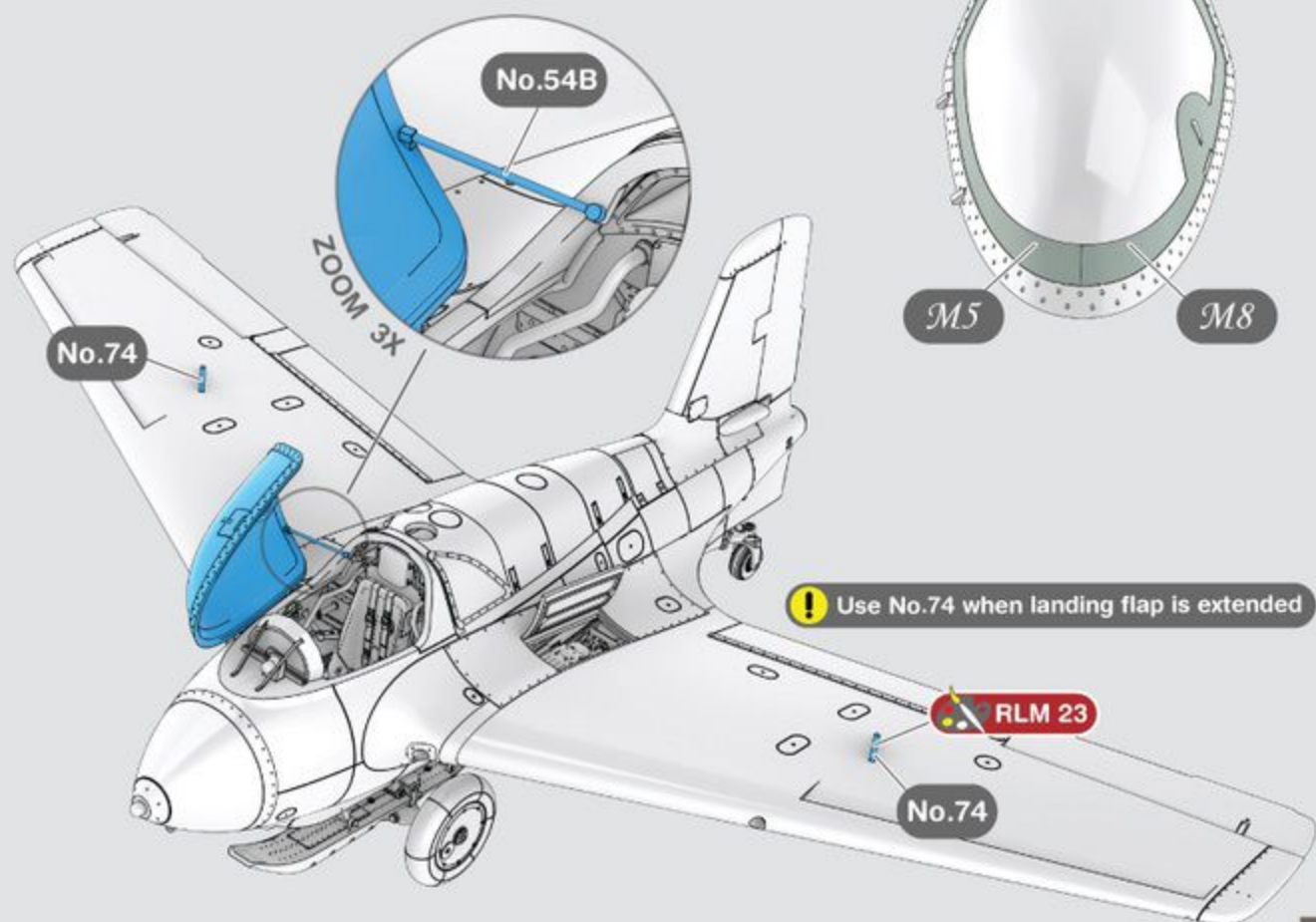
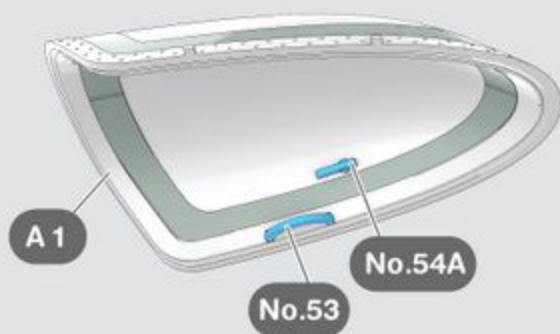




! Use Rod 0.2mm for Windshield Not Provided

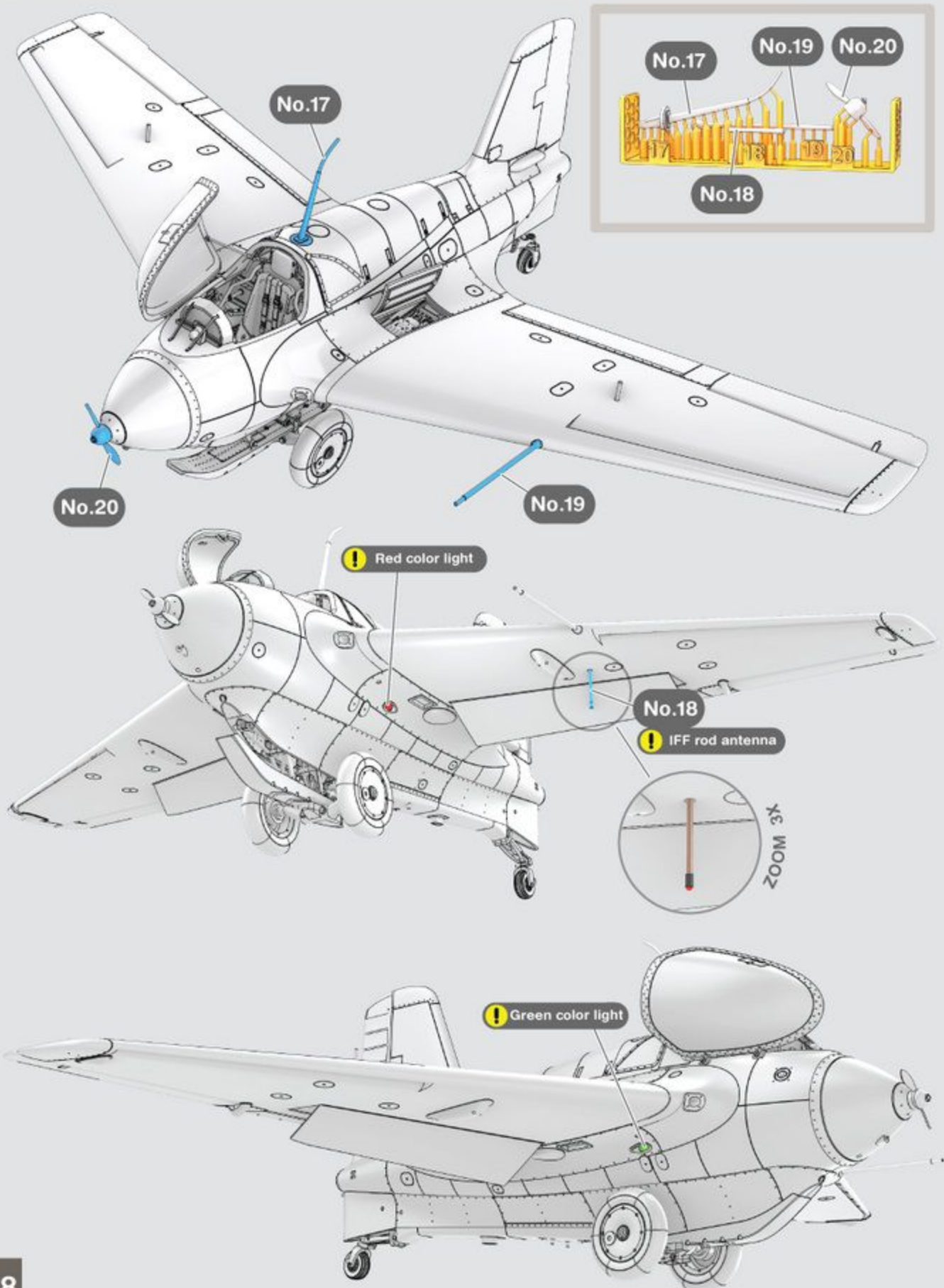


! Canopy interior RLM 66



! Use No.74 when landing flap is extended

14 Antenna and Propeller assembly



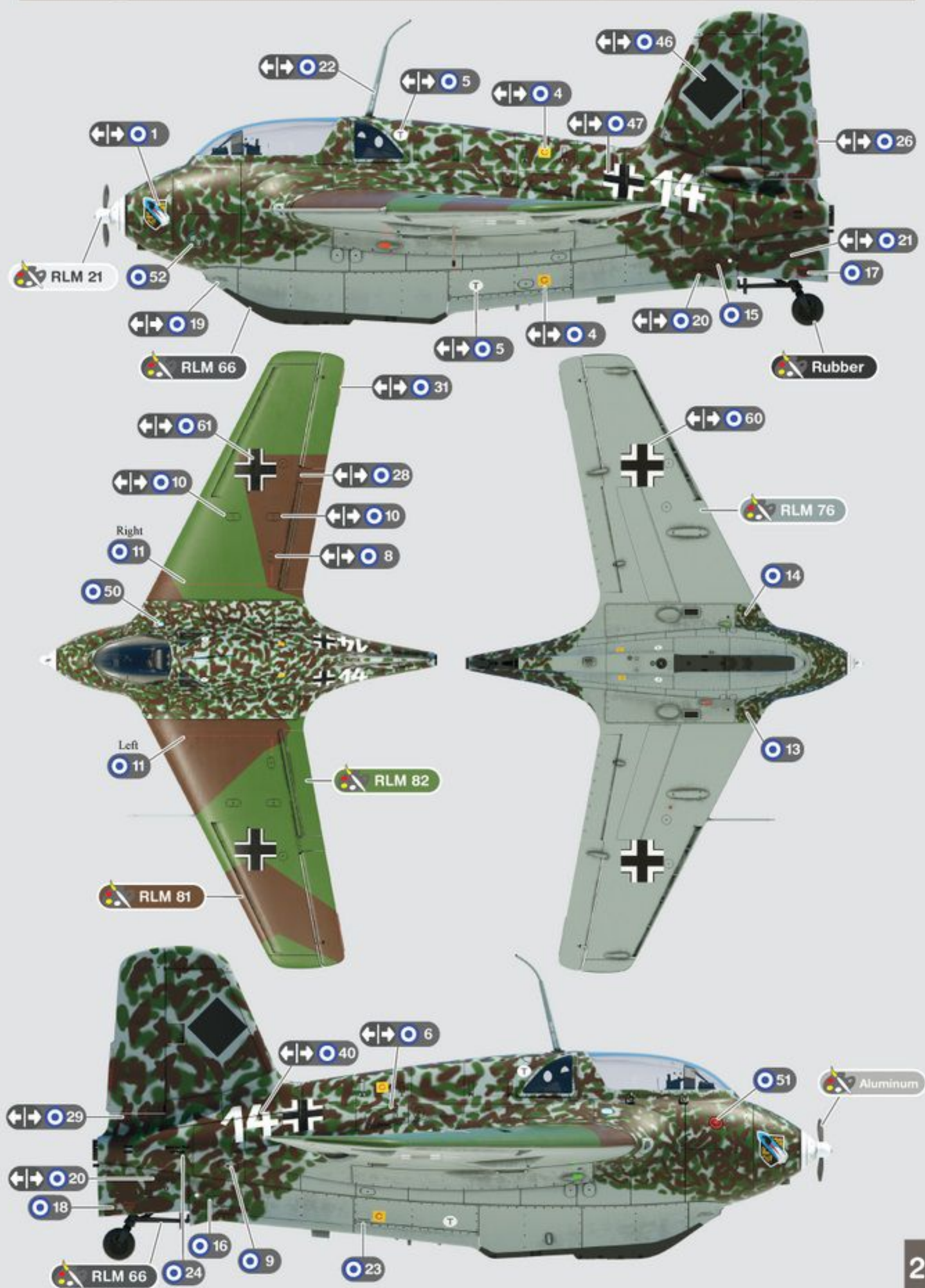
Painting instructions scheme 1 - W/Nr:191916 JG 400, Brandis, April 1945



Painting instructions scheme 2 - W/Nr:191659 JG 400, 1945



Painting instructions scheme 3 - White 14, JG 400, Brandis, February 1945



Painting instructions scheme 4 - W/Nr:191477, EJG 2, Spring 1945

