

1/72 SCALE

ITEM NO.:01682



F-106A Delta Dart

美国F-106A “三角标枪” 截击机

READ BEFORE ASSEMBLY:

- This kit is not recommended for inexperienced modelers or for children under 14 years of age
- Study and understand these instructions thoroughly before beginning assembly
- When needed, remove photo-etch parts carefully using a modeling knife or photo etch sprue cutter, being careful not to damage or lose small parts.
- Take extra care in handling photo etch parts in order to avoid injury
- Apply instant cement sparingly to photo etch parts where instructed

- Tools recommended(not included in kit):Plastic and instant cements,sprue cutters,long nose pliers,modeling knife, small files, tweezers, pin vise & scissors. Soft cloth and sandpaper will also assist in construction
- Glue and paint are not included in the kit. Use plastic cement and hobby paints only. Color guide for purchasing paint is included in the kit.
- Keep out of reach of children. They must not be allowed to ingest small parts or handle plastic bags in any way.

装配之前仔细阅读

- 小心用模型锉刀锉平所有零件表面的注射浇口。
- 小心用刀片切下蚀刻片零件，不要遗失小零件。
- 用强力快干胶水粘合蚀刻片零件和金属轴。过量的快干胶水使用可能导致可动零件会粘住，小心涂胶。
- 取蚀刻片时应特别注意安全，防止利边划伤手指。
- 某些零件表面需贴水贴纸，请选择在装配的同时进行。
- 推荐模型工具(自备)：胶水，水口剪刀，长咀钳，刀片，锉刀，镊子钳，钻，剪刀，瞬间快干胶。
- 软布同砂纸同时也应该是必备工具。
- 请使用塑料胶水和油漆，模型内不含。
- 谨防小孩吸吮塑料零件，或者将塑料袋套在头上，制作时应将套材远离小孩接触。
- 本产品不适合14岁以下没有经验的模型爱好者。

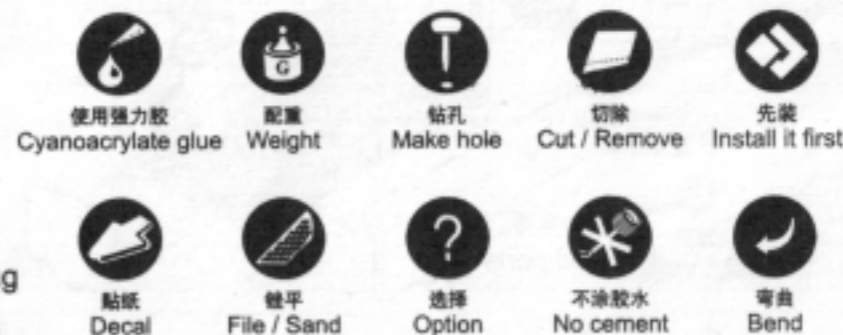
水贴纸的使用:

1. 从水贴纸上剪下印花;
2. 将印花放入温水中浸10秒，然后放在干净布上。
3. 拿着印花纸板将印花移到模型上;
4. 手指蘸水将印花移到适当的位置;
5. 用软布轻压印花直至水干，汽泡消失。

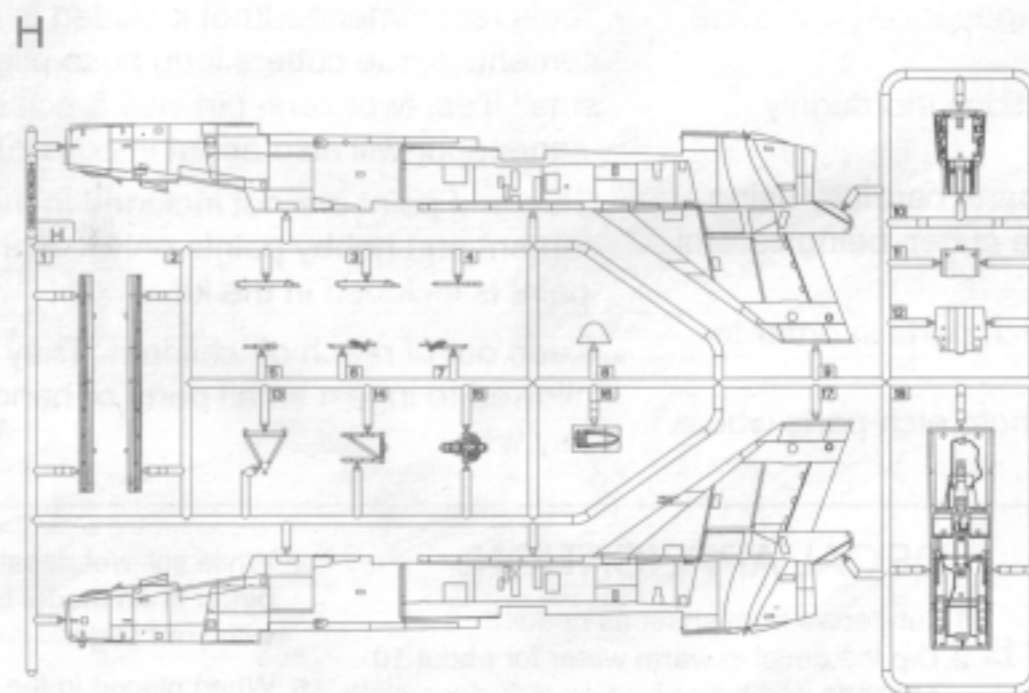
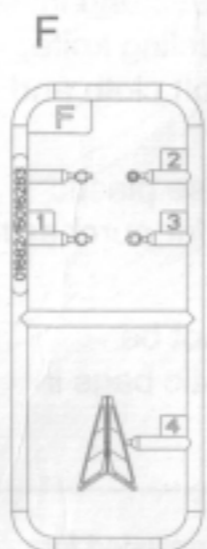
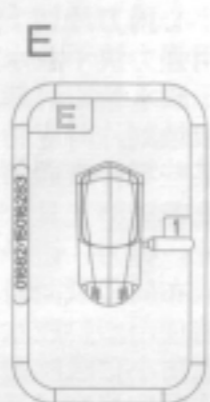
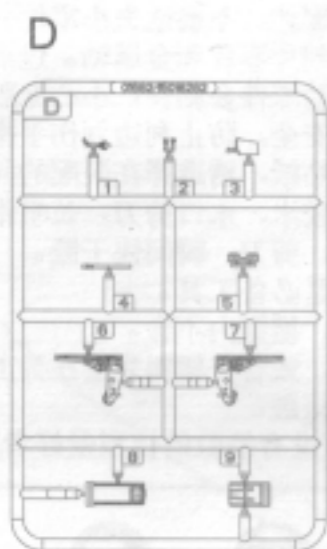
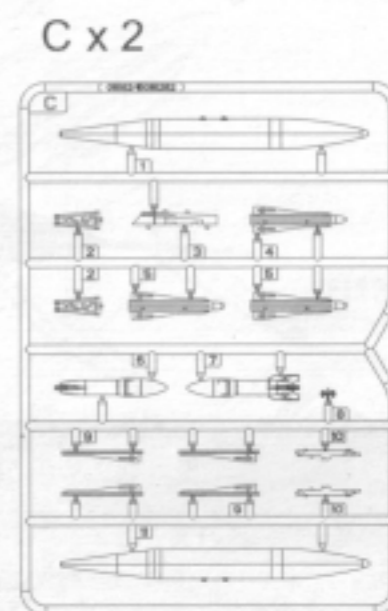
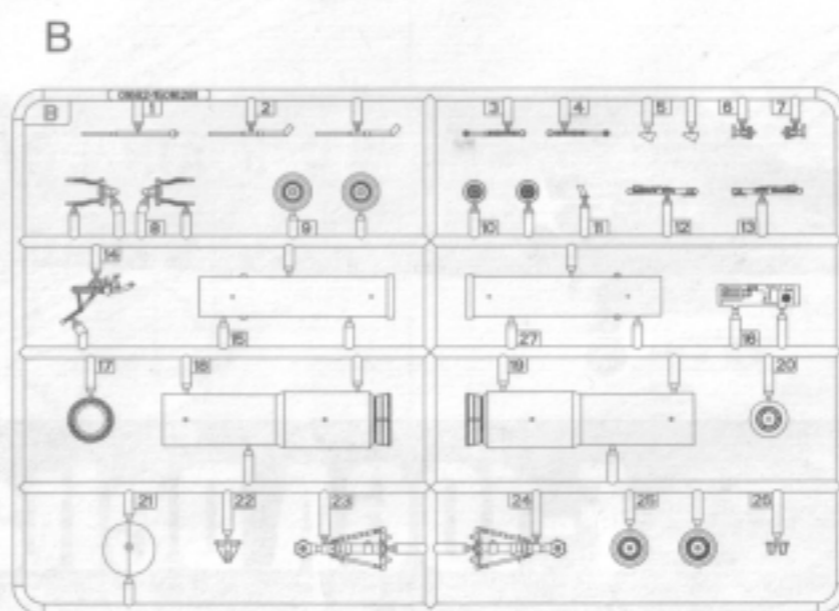
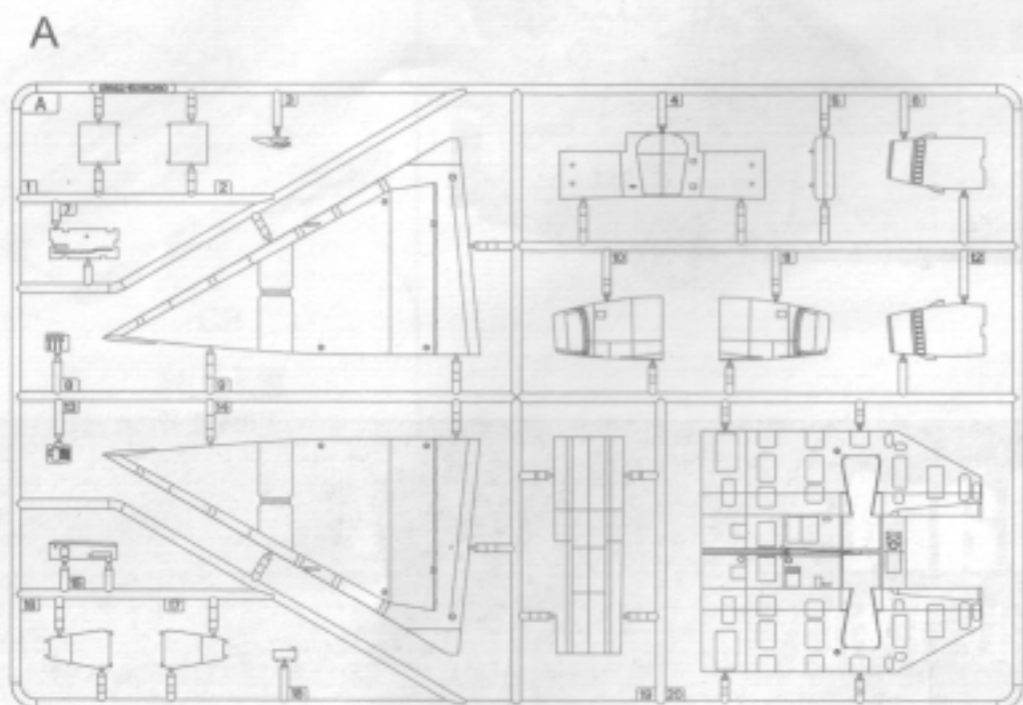
DECAL APPLICATION:

1. Cut decals from sheet as needed
2. Dip the decal in warm water for about 10 seconds and then place on soft clean cloth.
3. Hold the decal backing sheet edge and gently slide the decal onto the model in its proper position.

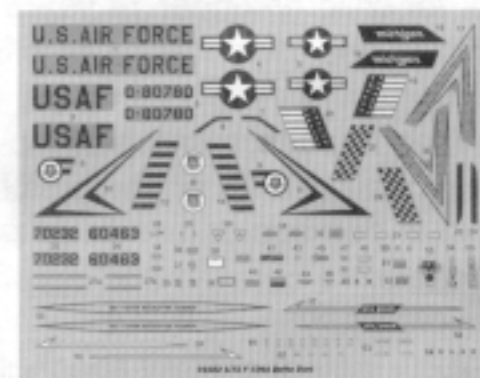
4. While still wet,decal can be adjusted for better fit on model by dampening it gently with your finger.
5. When placed in the proper position,gently press decal down with a soft cloth until excess water and air bubbles are gone.
6. Allow decal to dry completely before handling model



部品图
Parts

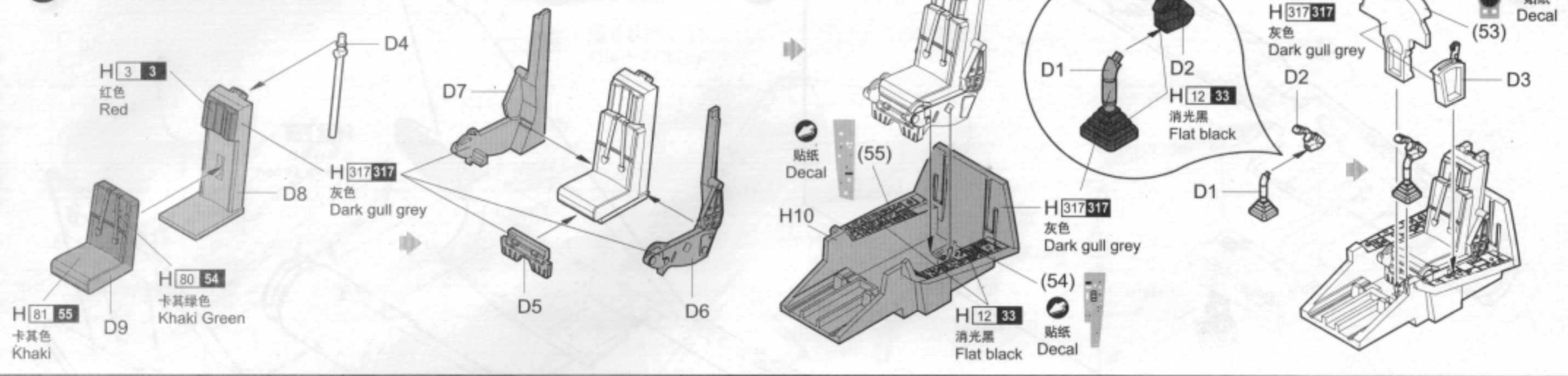


《水貼》
Decal

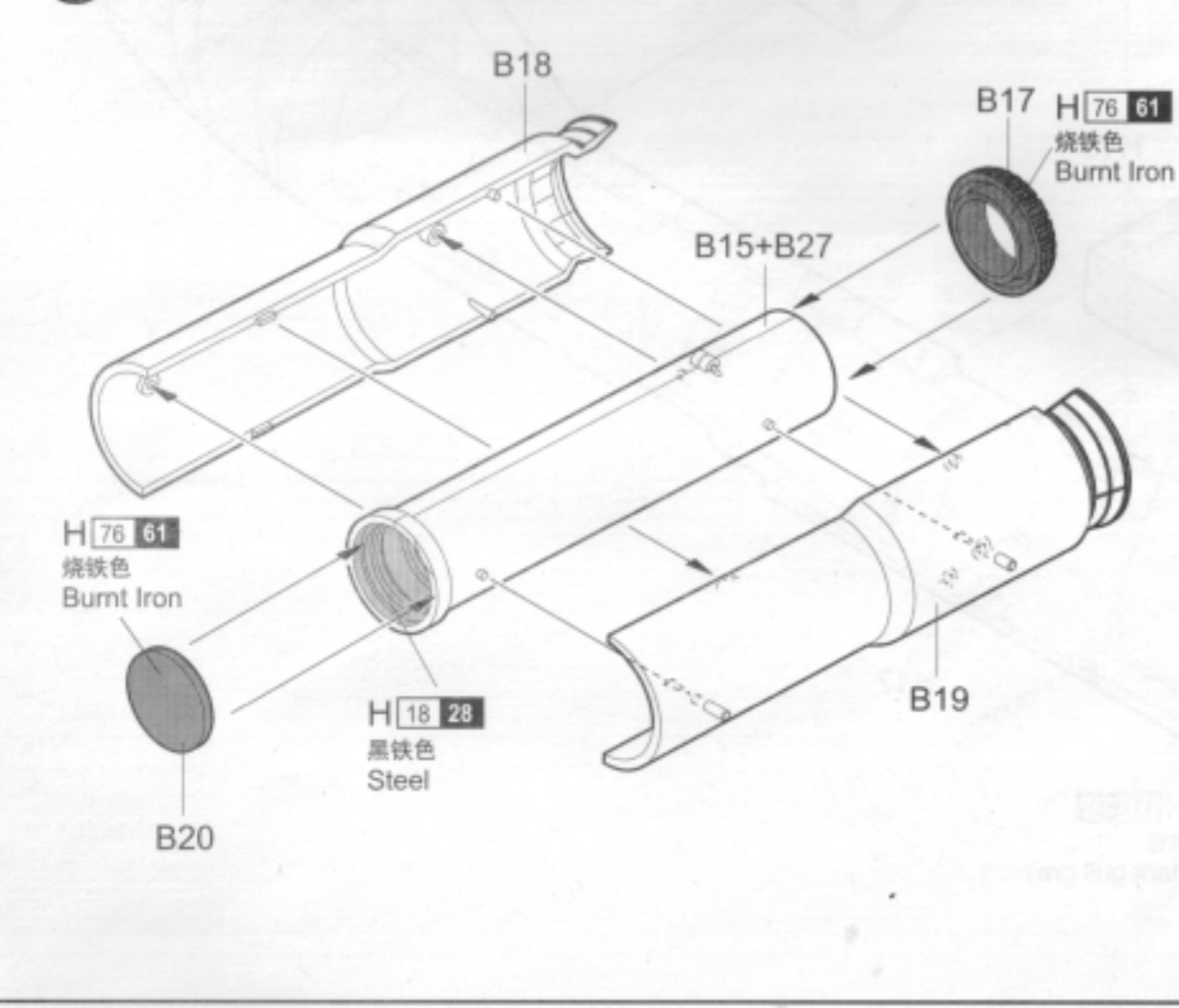


不用的零件: B22
Unused parts

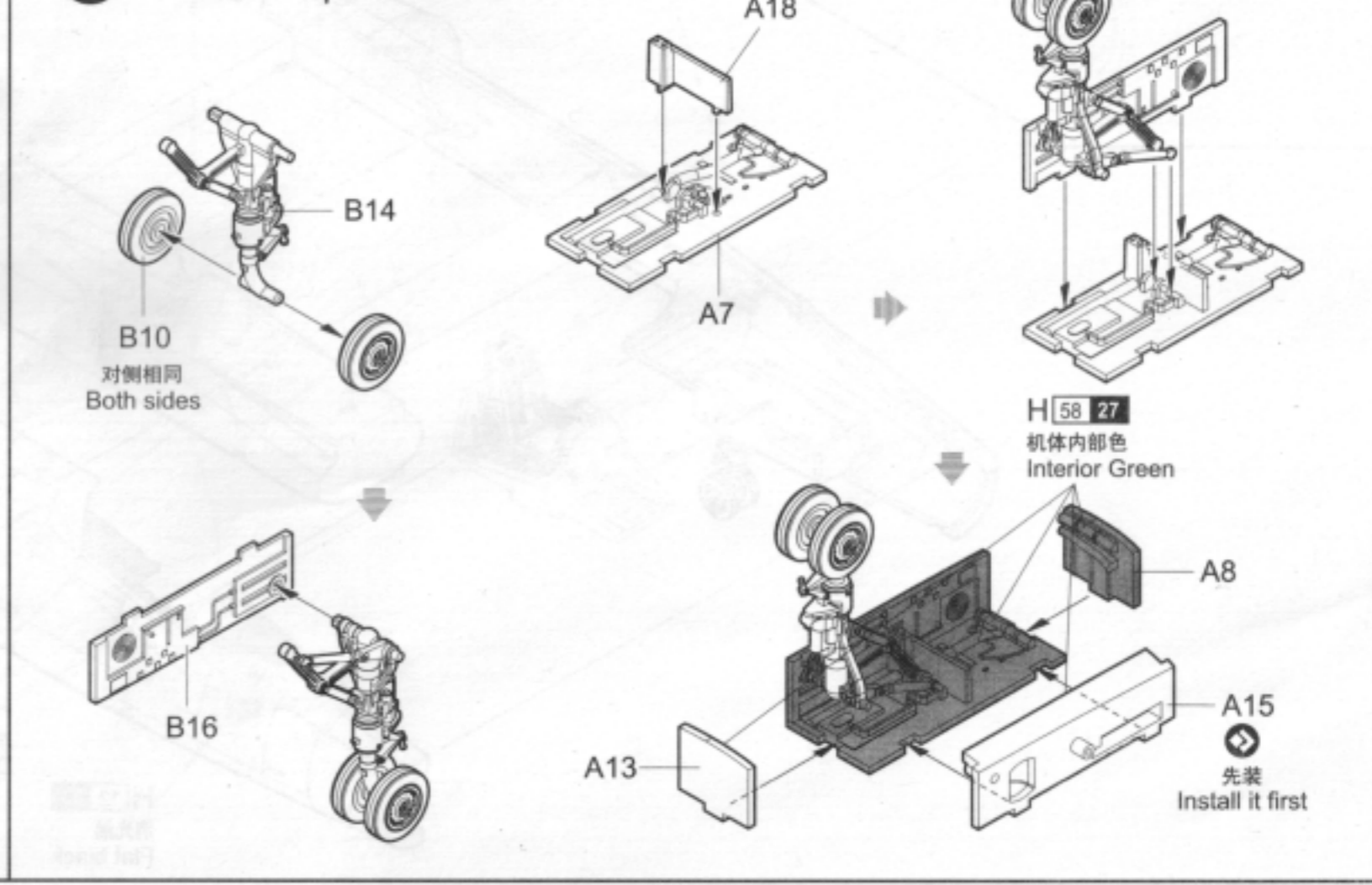
1 座舱的组装
Cockpit assembly



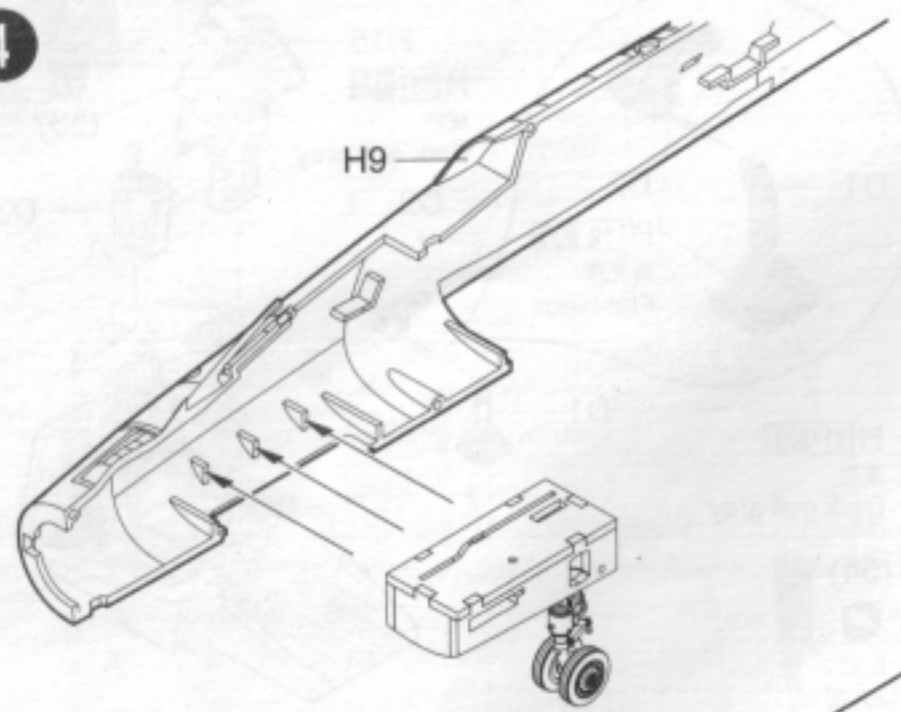
2 发动机的组装
Engine assembly



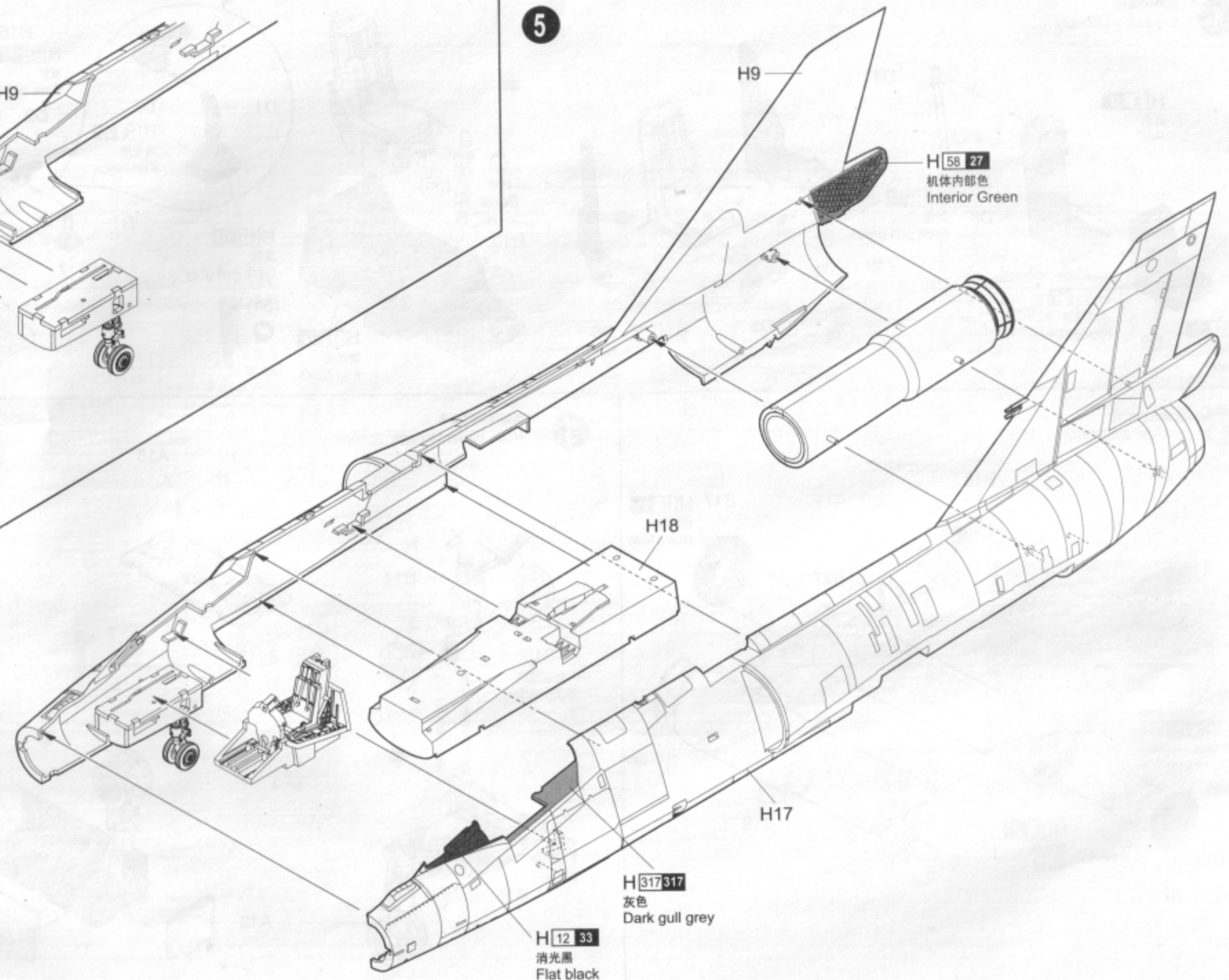
3 前起落架的组装
Nose undercarriage assembly



4

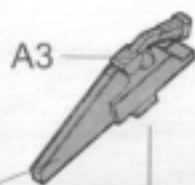
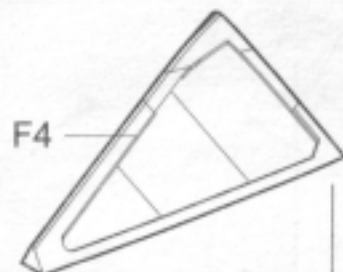
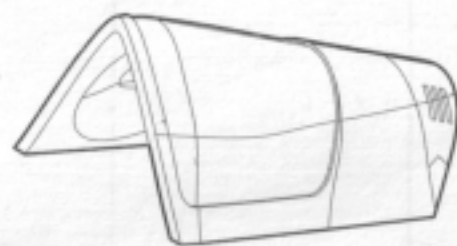
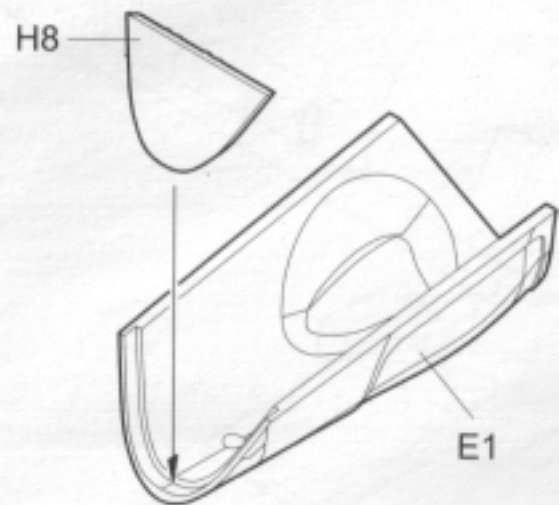


5



6

展开状态/闭合
Open / Close



H 12 33
消光黑
Flat black

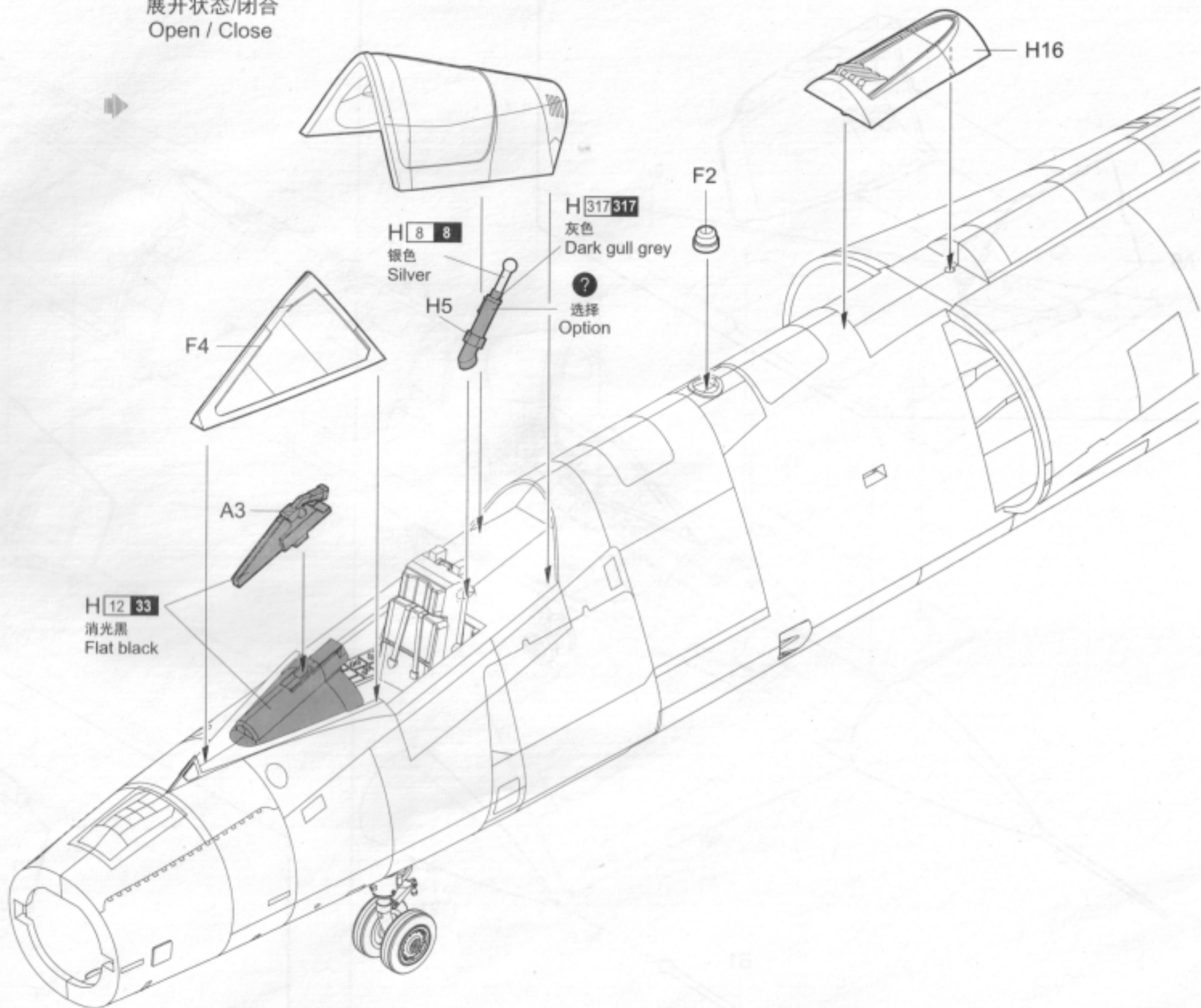
H 8 8
银色
Silver

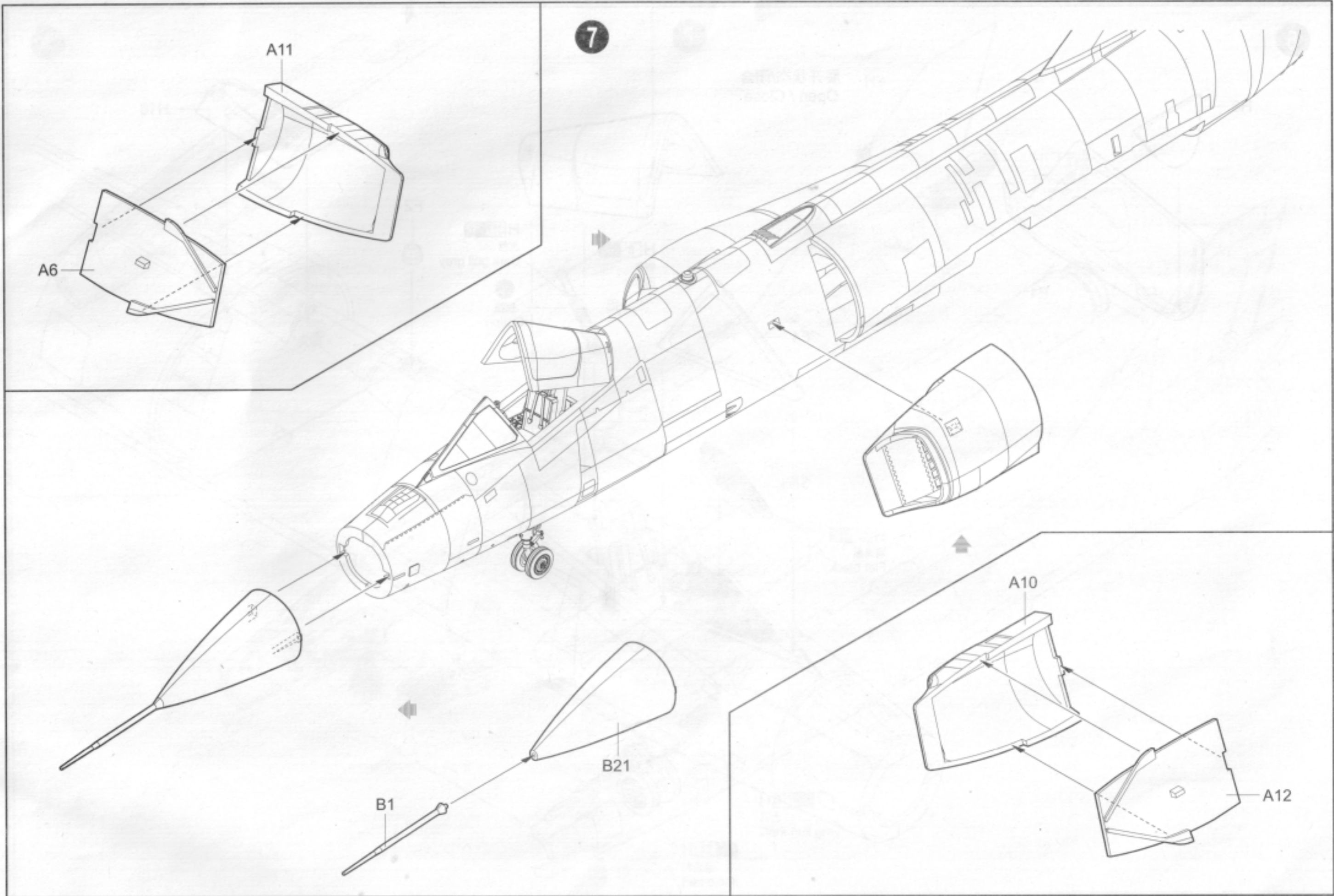
H 317 317
灰色
Dark gull grey

?
选择
Option

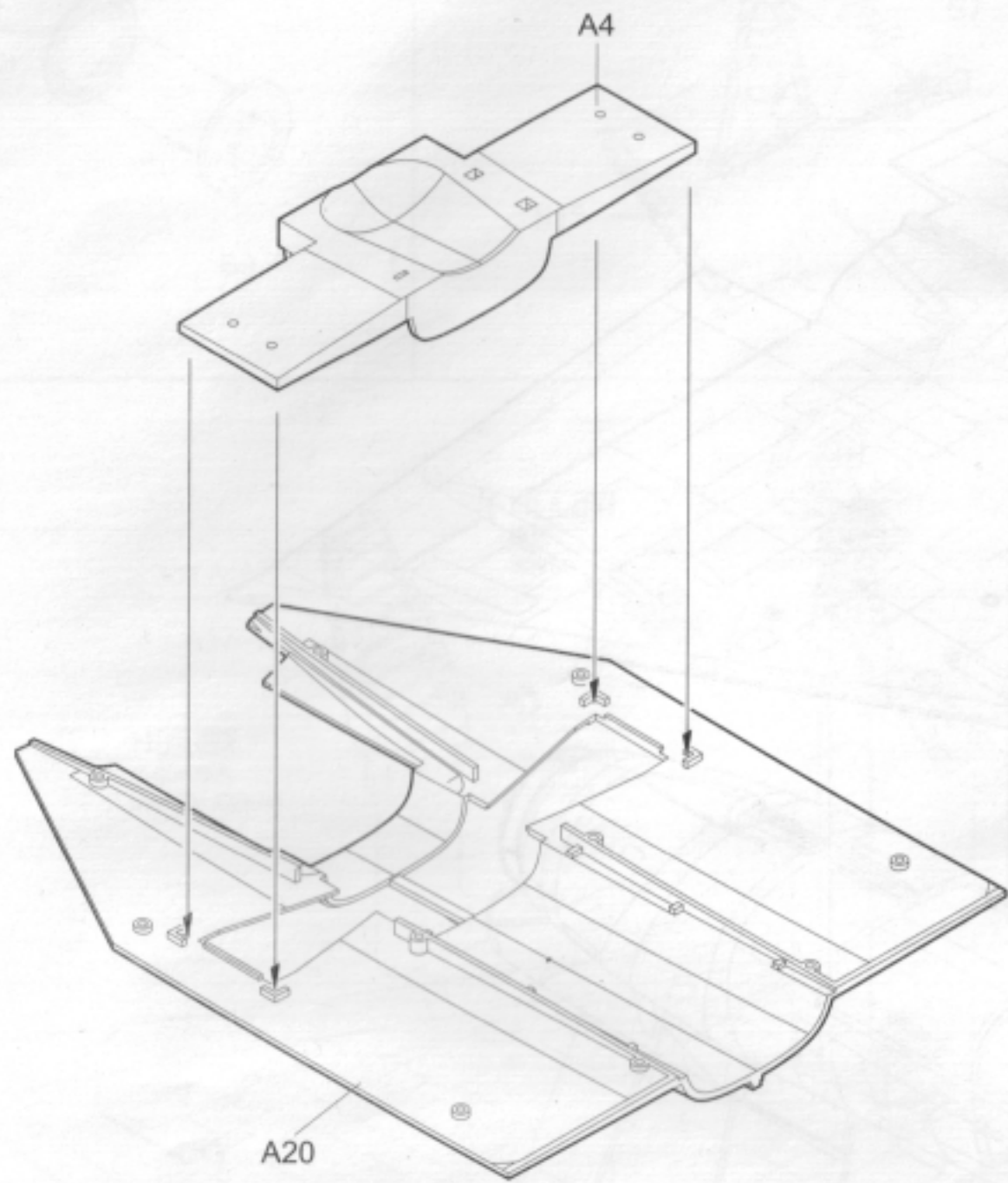
F2

H16

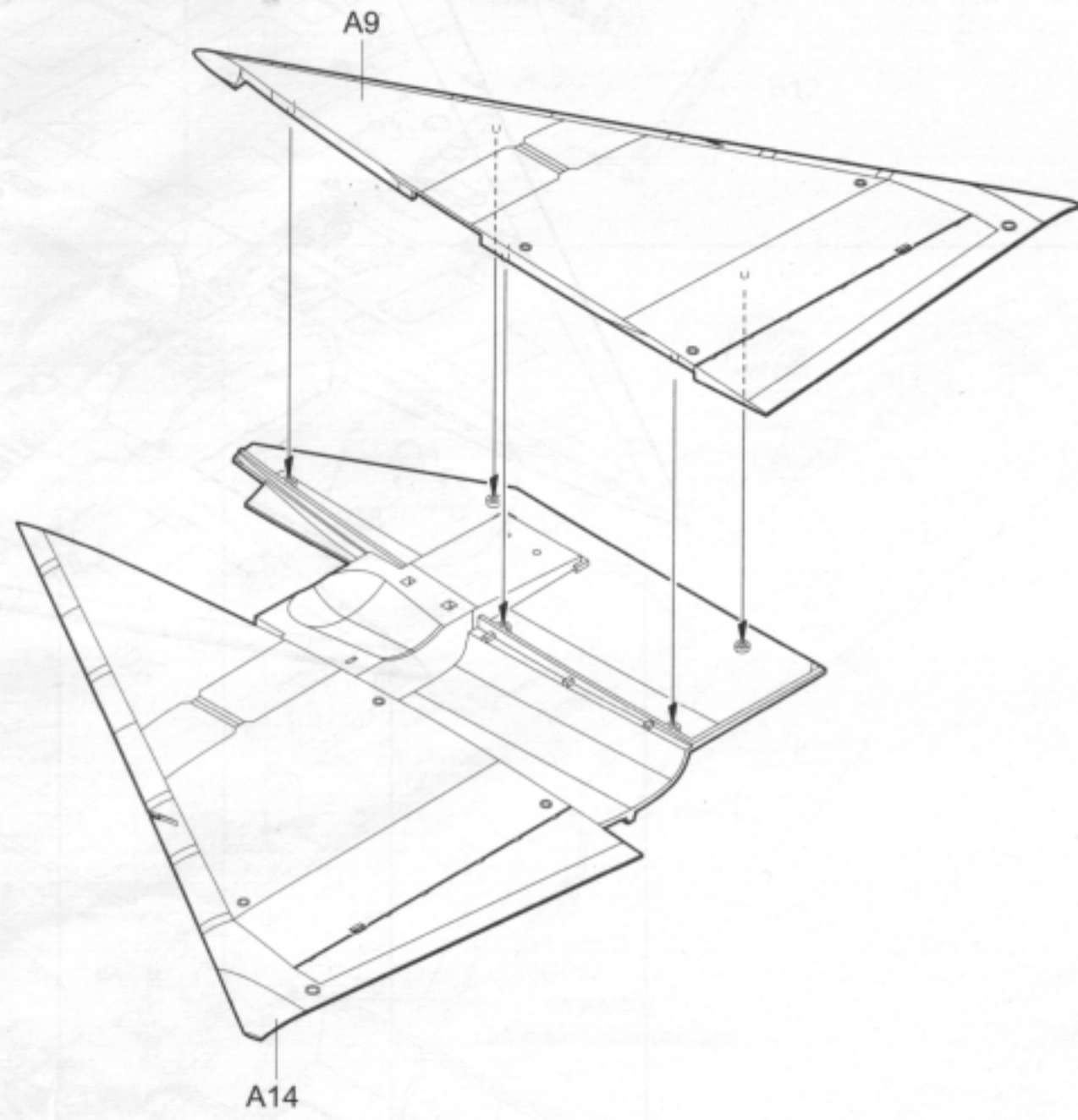




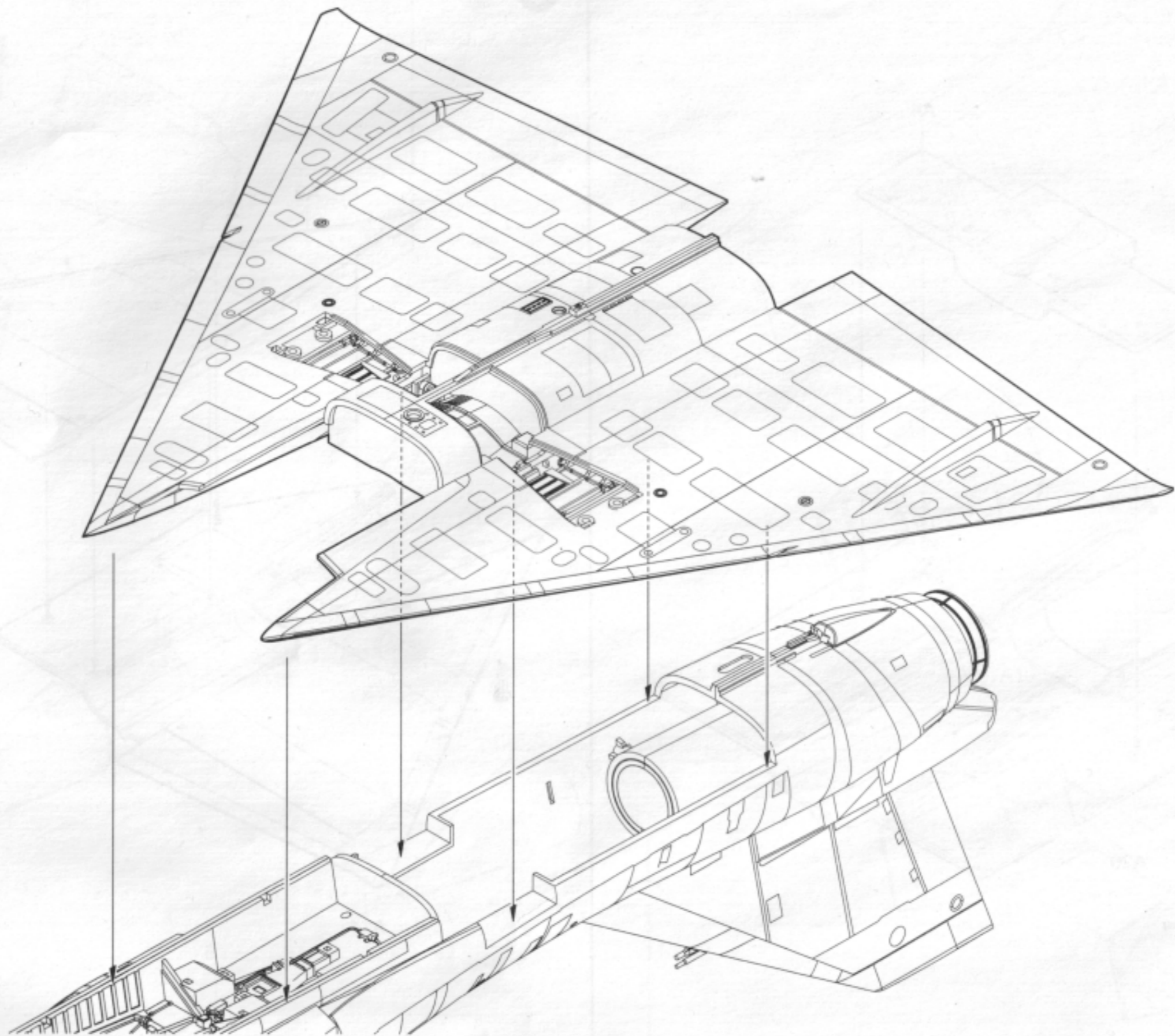
8



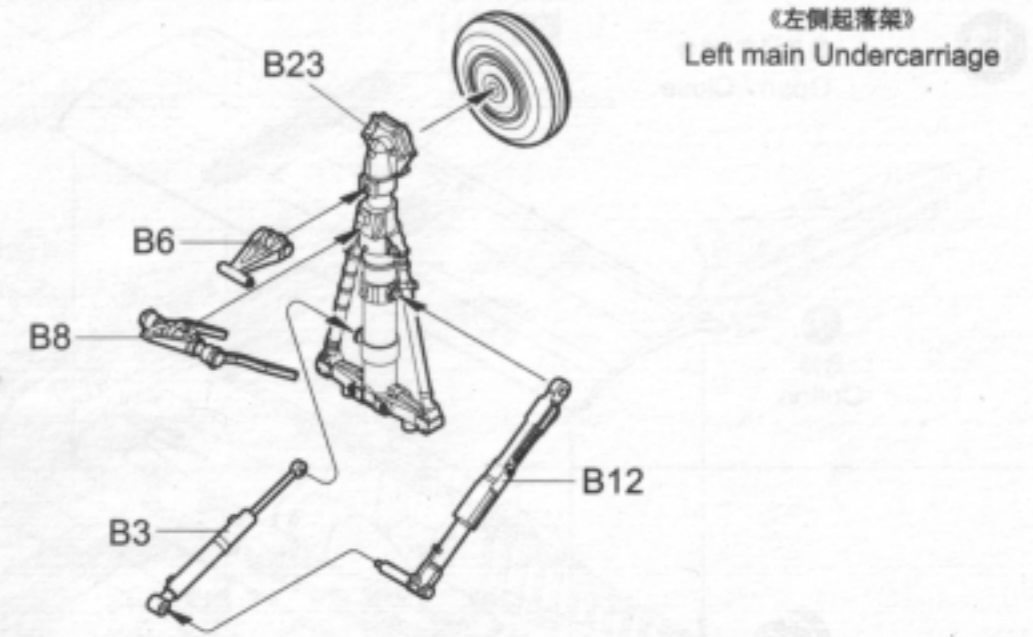
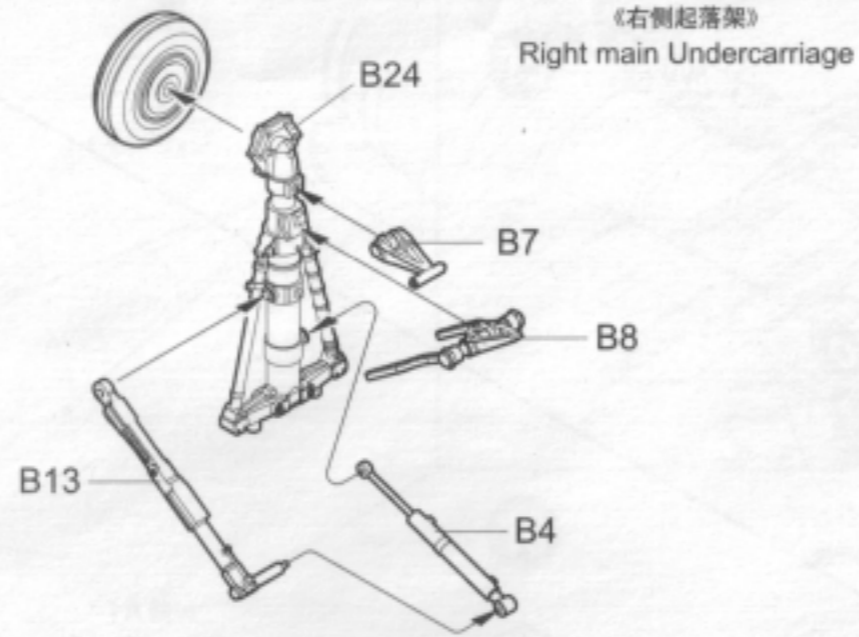
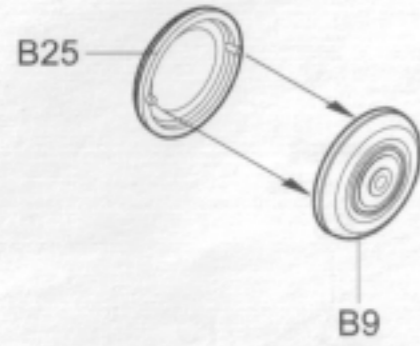
9



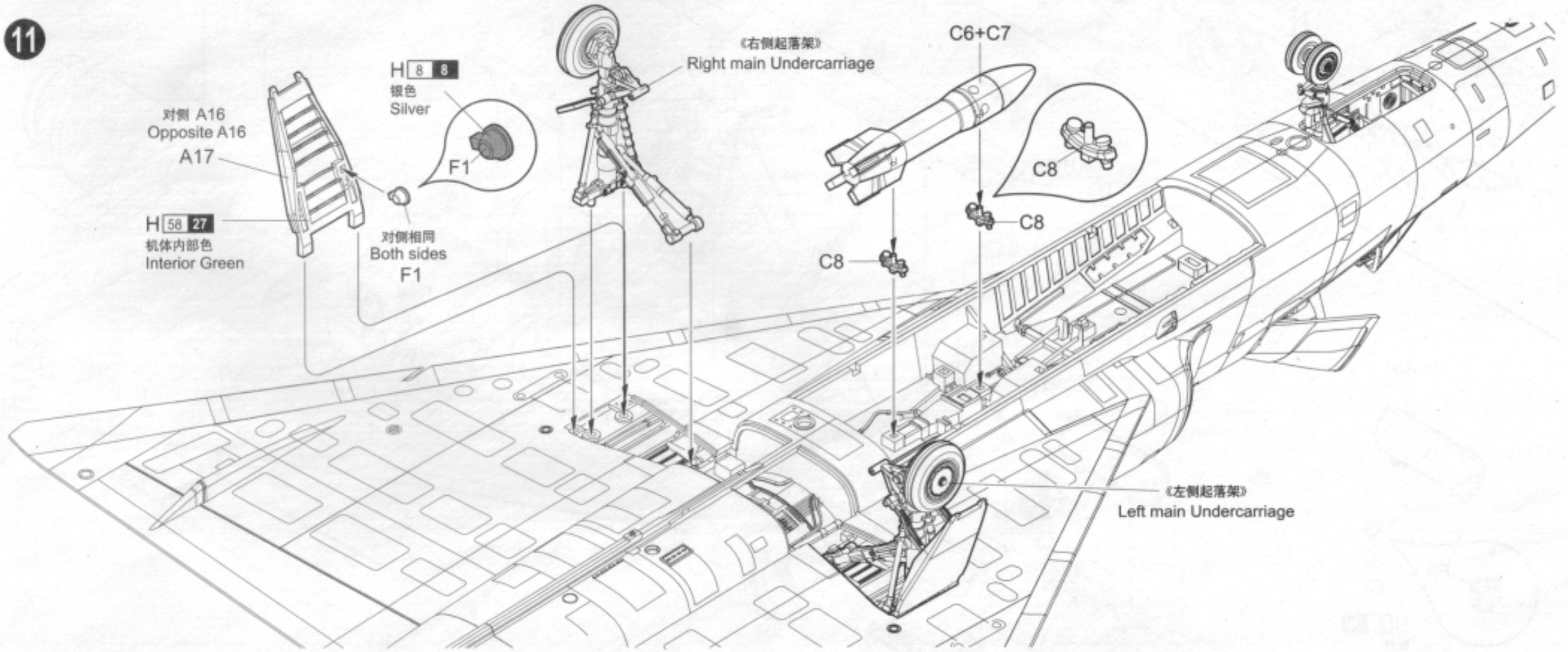
10



制作2组
Make two



11



12

展开状态/闭合
Open / Close

A19

选择
Option

13

对侧相同
Both sides
B5

对侧 A1
Opposite A1
A2

对侧 H1
Opposite H1
H2

对侧 H7
Opposite H7
H6

B26

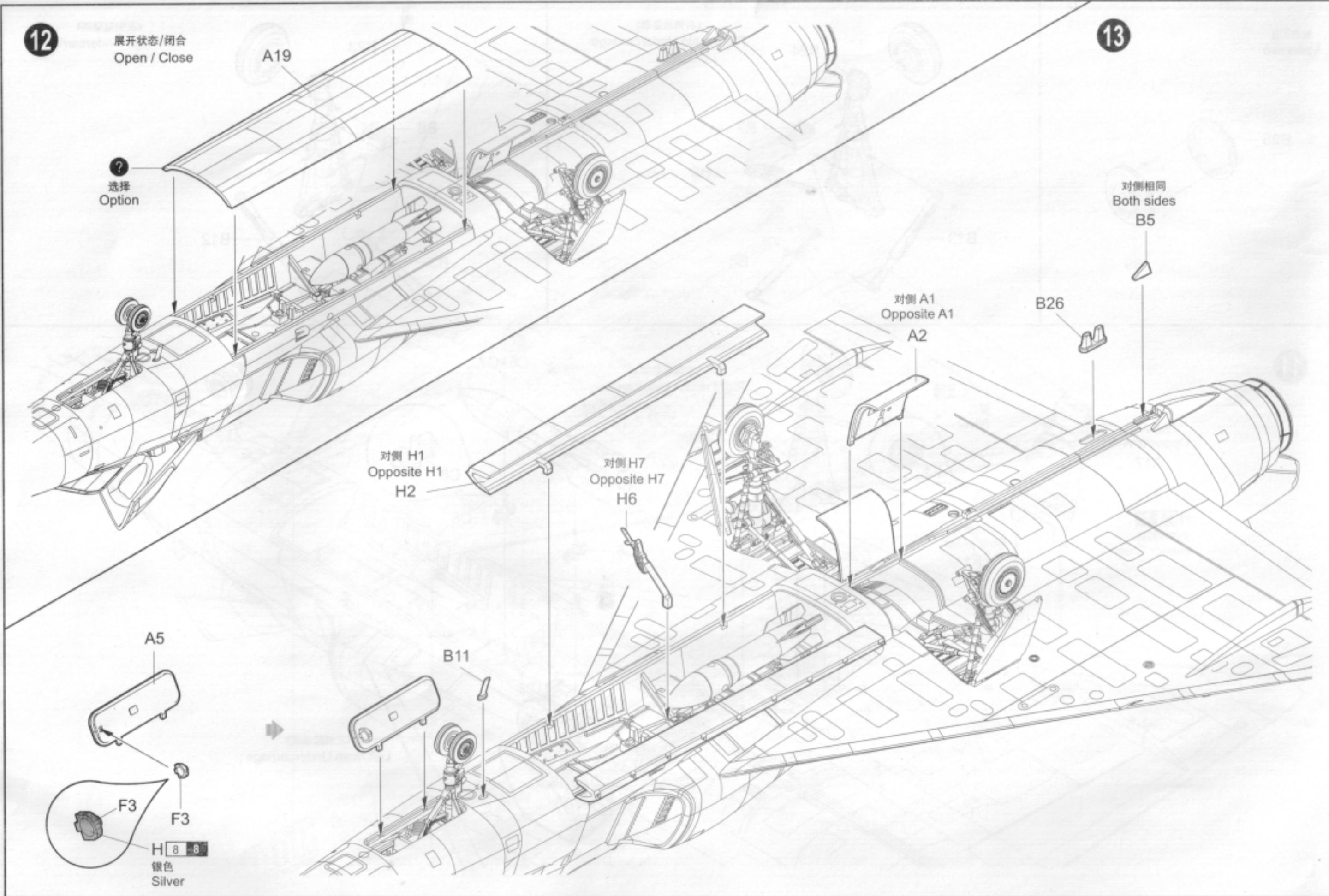
A5

B11

F3

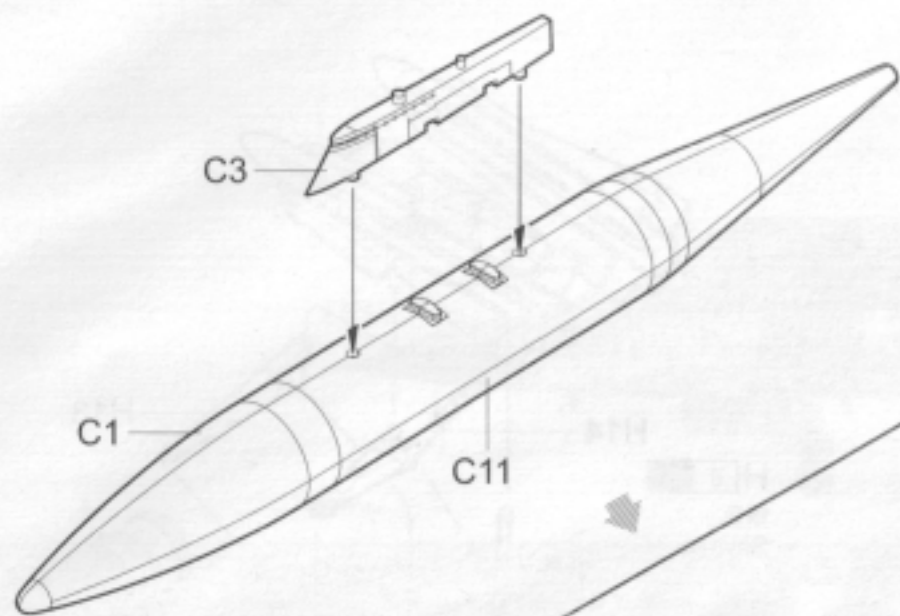
F3

H 8 8
银色
Silver



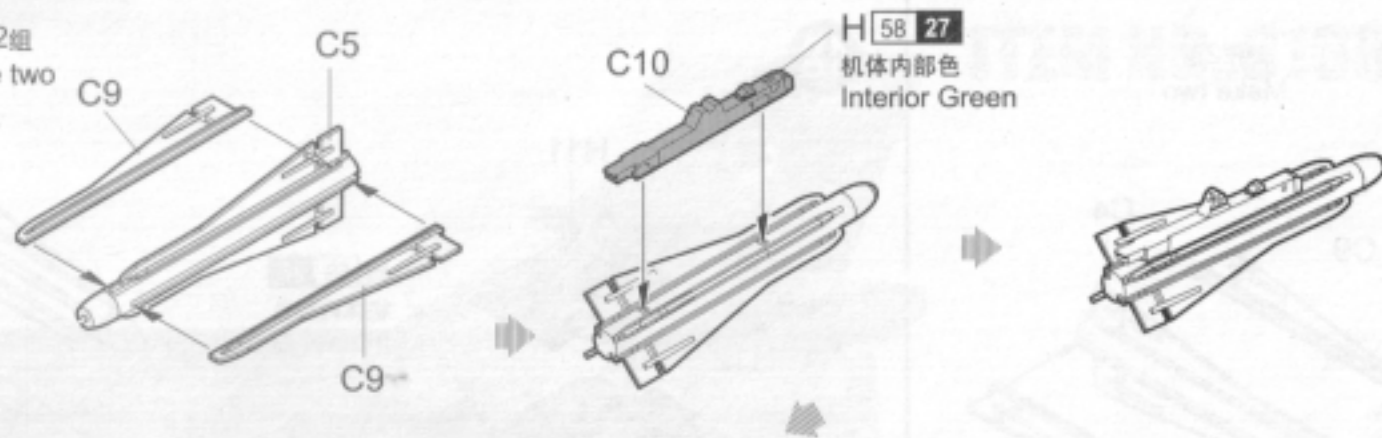
14

制作2组
Make two

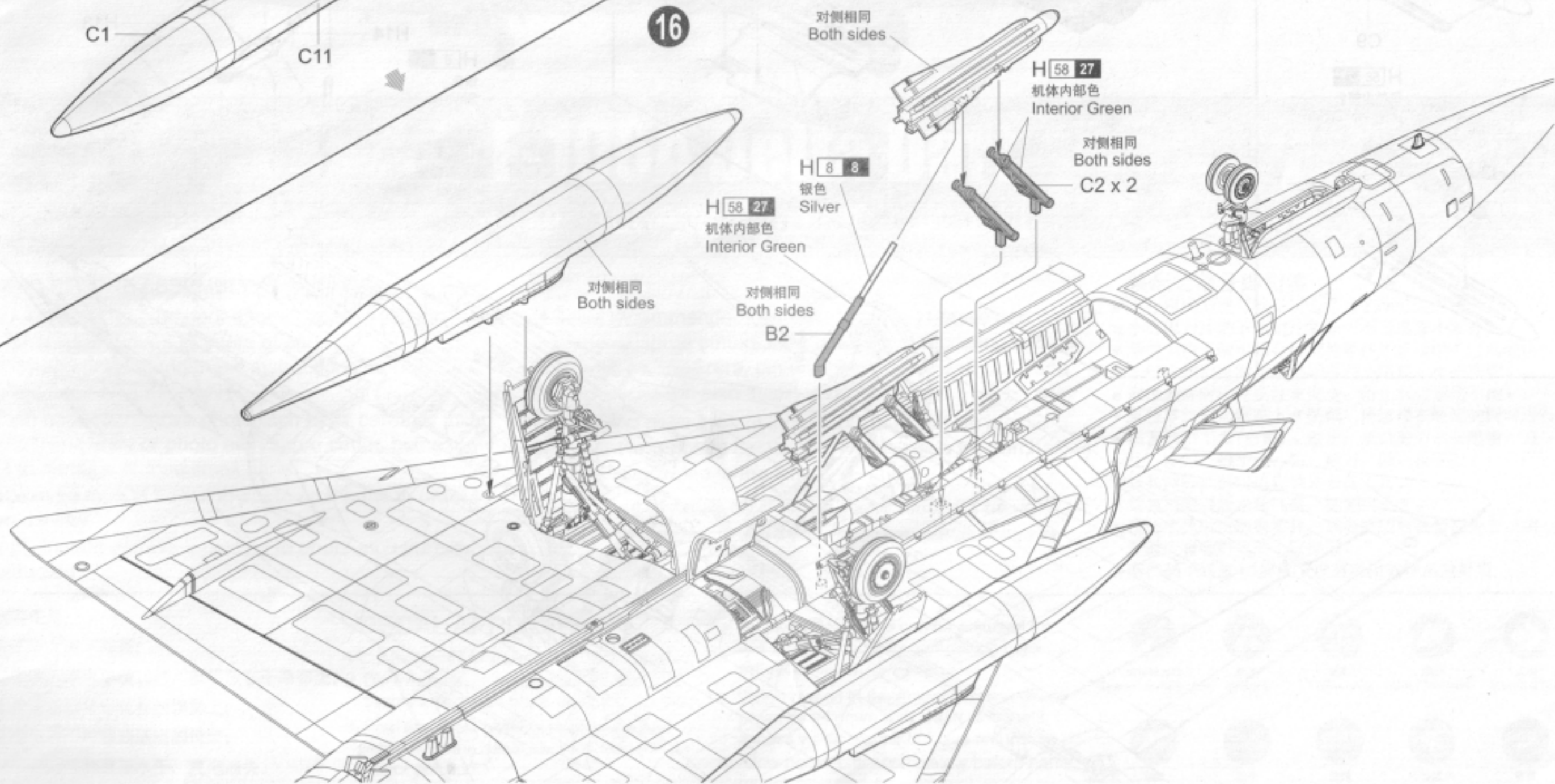


15

制作2组
Make two

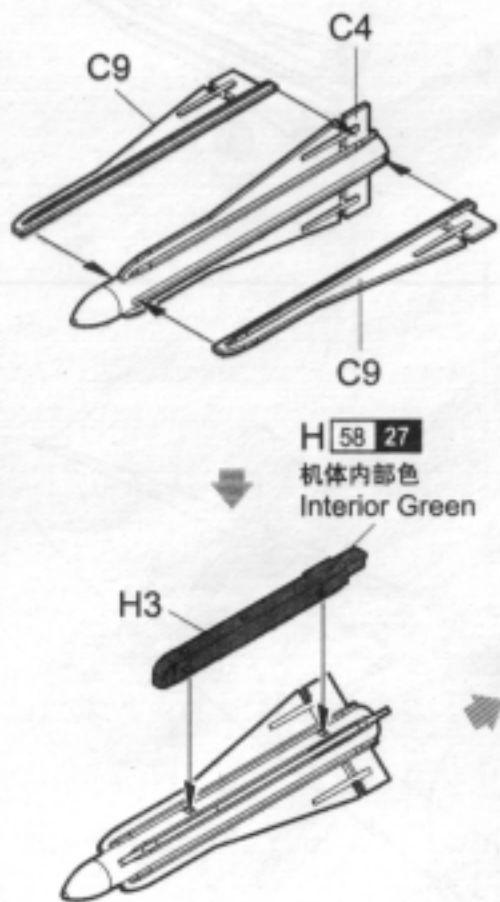


16

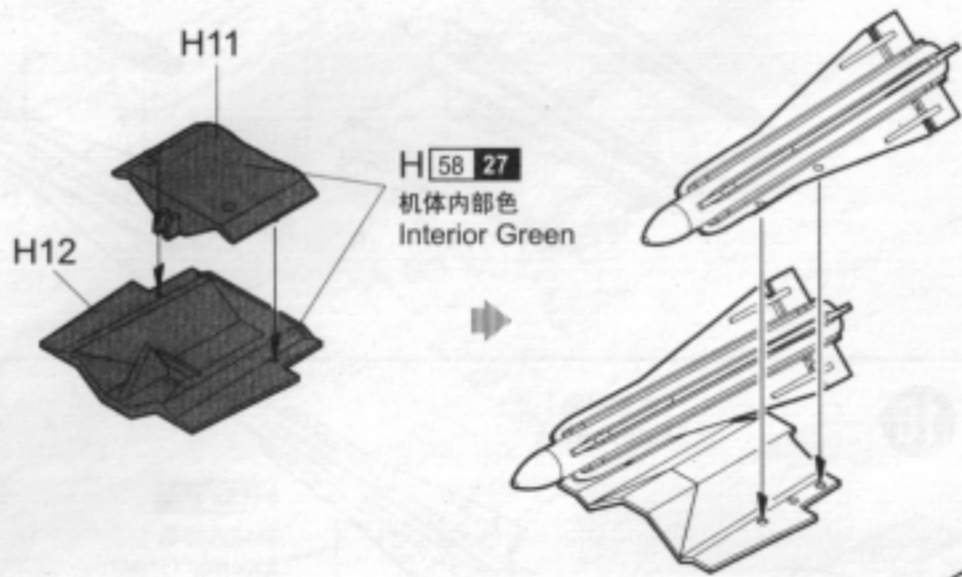


17

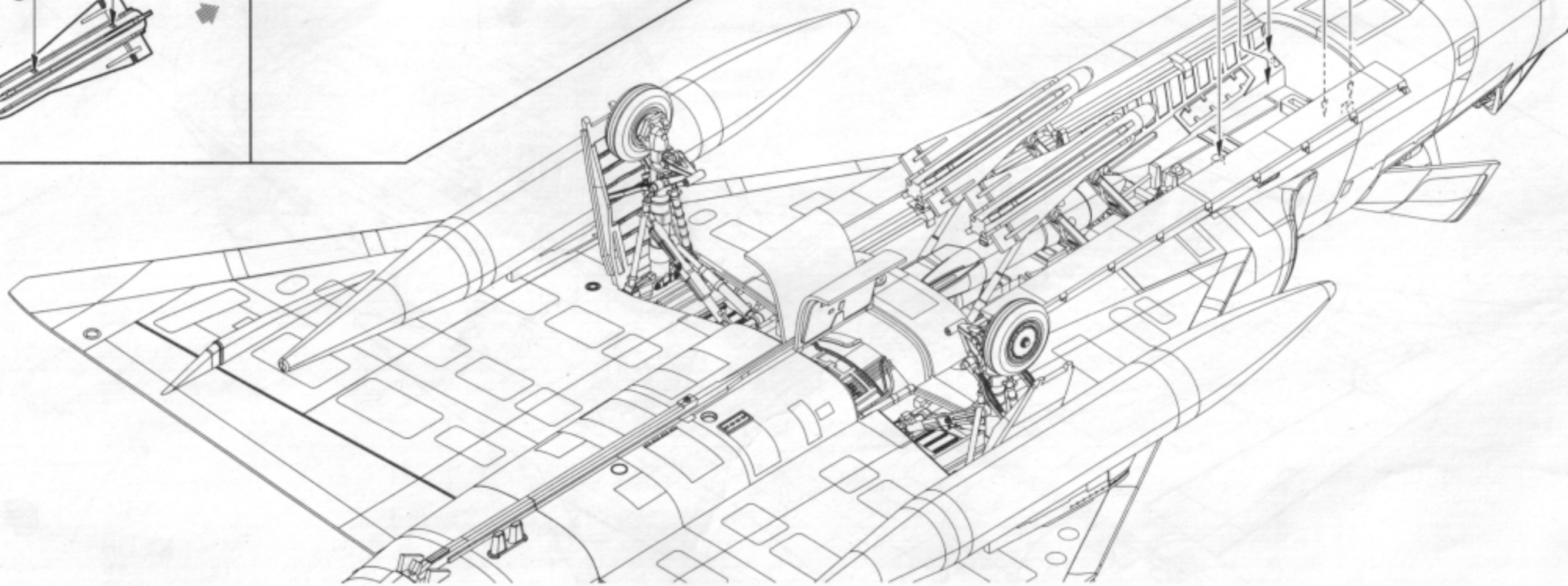
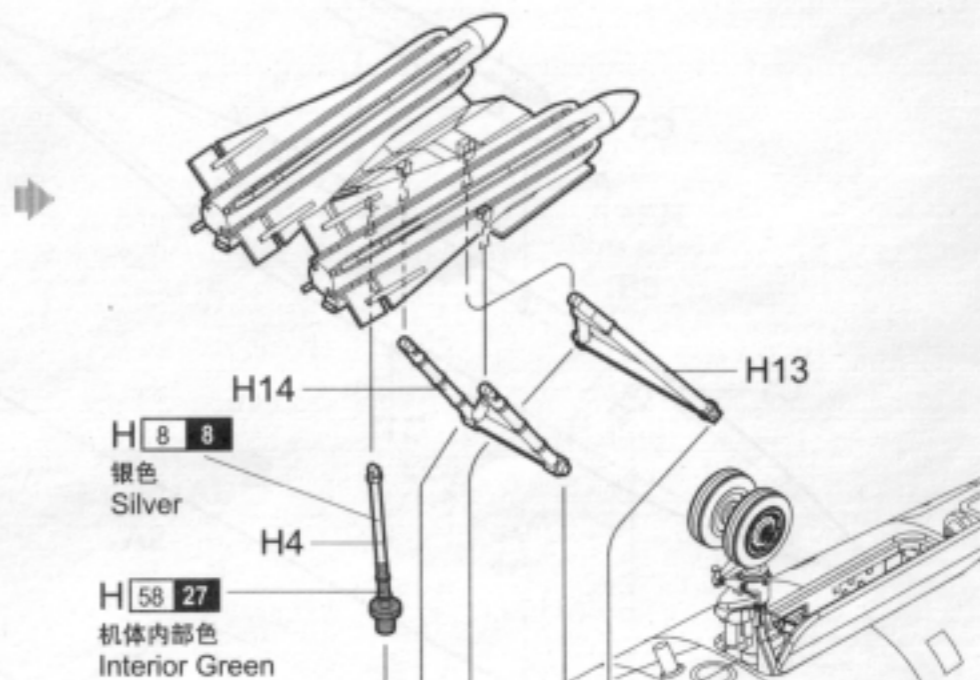
制作2组
Make two



18



19

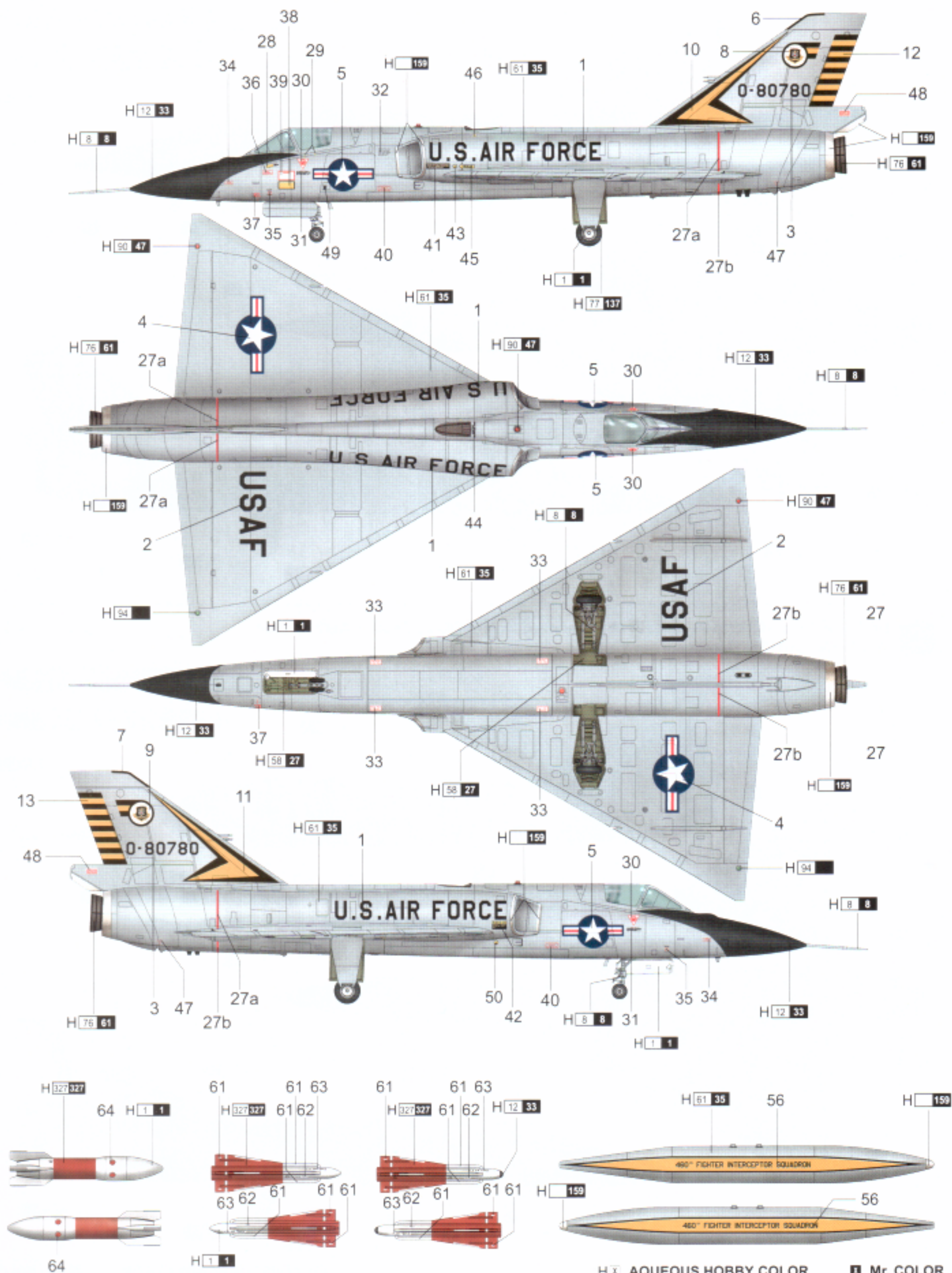


涂装同标贴指示 Painting & Marking guide

A F-106A, 80780, of the 460th FIS as seen in June 1972.

PAINT REFERENCE COLOUR					
Color	Mr Hobby	Vallejo	Model Master	Tamiya	Humbrol
1 银灰色 (In Gray)	H 61 35	907	1731	-	146
2 黑(哑光) Flat Black	H 12 33	950	1749	XF1	33
3 银 Silver	H 8 8	997	1546	X11	11
4 机体内绿色 Interior Green	H 56 27	-	-	-	-
5 黑色 Tire Black	H 77 137	-	-	-	-
6 透明绿 Clear Green	H 94	936	-	X25	-

PAINT REFERENCE COLOUR					
Color	Mr Hobby	Vallejo	Model Master	Tamiya	Humbrol
7 烧蚀色 Burnt Iron	H 76 61	863	1795	X10	53
8 白色 White	H 1 1	842	1745	X2	22
9 红色 Insignia Red	H 327 327	957	1705	XF7	153
10 透明红 Clear Red	H 90 47	934	-	X27	-
11 超银 Super Silver	H 159	-	-	-	-

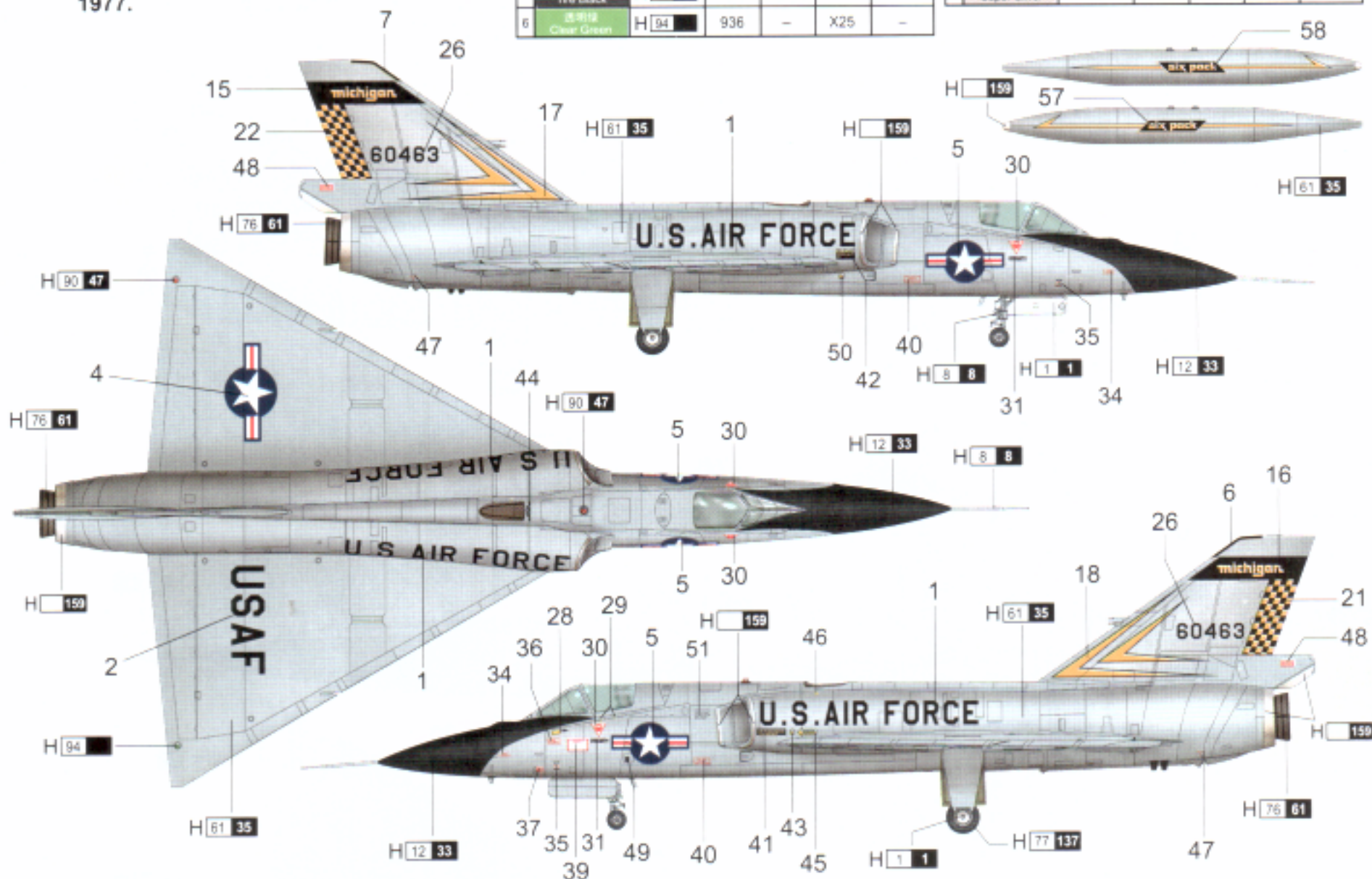


涂装同标贴指示 Painting & Marking guide

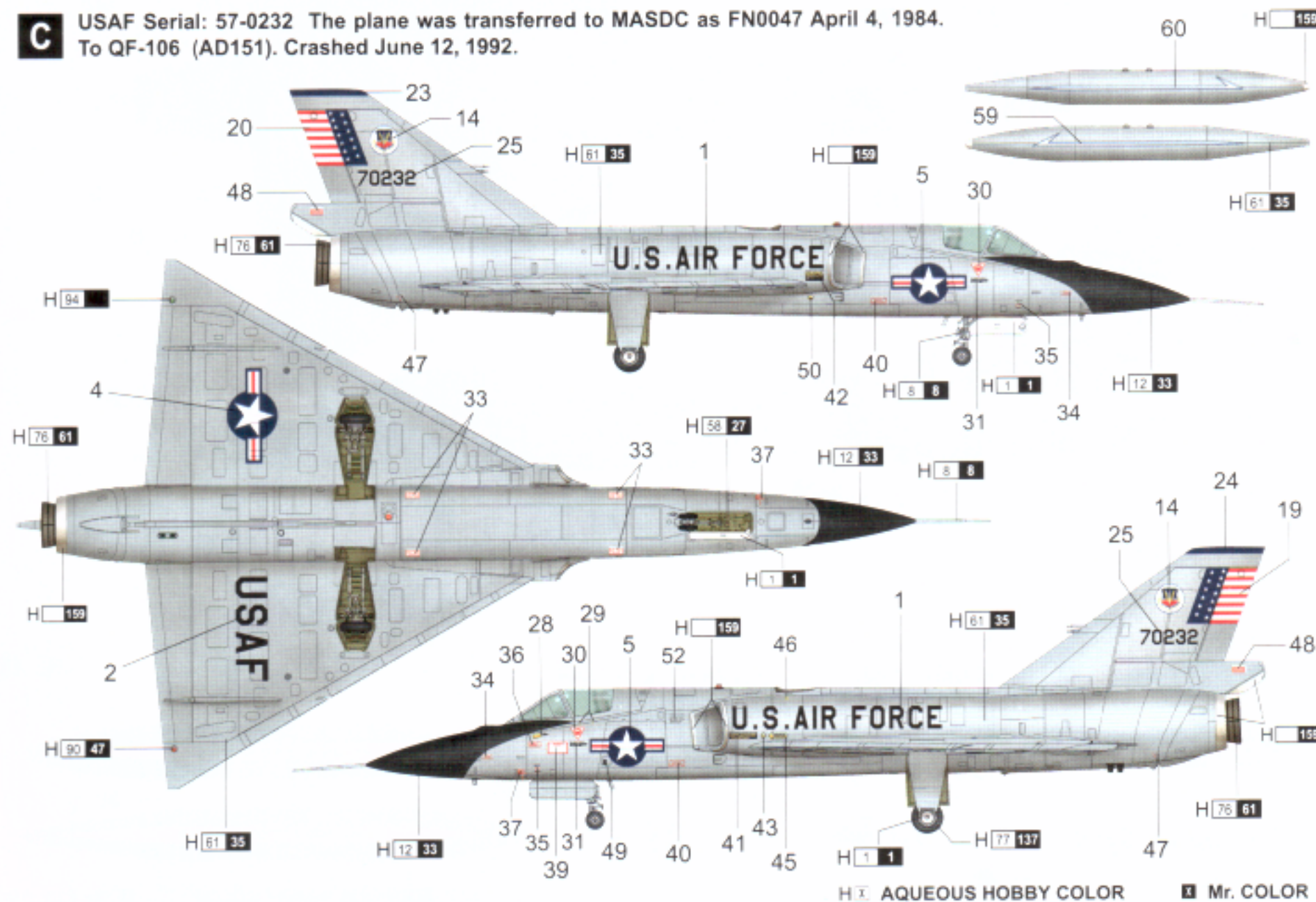
B 171st FIS, 191st FIG, Michigan ANG, Serial: 60463 Selfridge AFB, circa 1977.

PAINT REFERENCE COLOUR					
Color	Mr.Hobby	Vallejo	Model Master	Tamiya	Humbrol
1 明灰色 Ivy Gray	H 61 35	907	1731	-	146
2 黑(高光) Flat Black	H 12 33	950	1749	XF1	33
3 银 Silver	H 8 8	997	1546	X11	11
4 机体内绿色 Interior Green	H 58 27	-	-	-	-
5 黑色 Tie Black	H 77 137	-	-	-	-
6 透明绿 Clear Green	H 94	936	-	X25	-

PAINT REFERENCE COLOUR					
Color	Mr.Hobby	Vallejo	Model Master	Tamiya	Humbrol
7 锈棕色 Burnt Iron	H 76 61	863	1795	X10	53
8 白色 White	H 1 1	842	1745	X2	22
9 红色 Insignia Red	H 327 327	957	1705	XF7	153
10 透明红 Clear Red	H 90 47	934	-	X27	-
11 超银 Super Silver	H 159	-	-	-	-



C USAF Serial: 57-0232 The plane was transferred to MASDC as FN0047 April 4, 1984. To QF-106 (AD151). Crashed June 12, 1992.



H AQUEOUS HOBBY COLOR Mr. COLOR